

Gaggenau

Instruction manual

Instrucciones de uso

Instruções de serviço

Οδηγίες χρήσεω

VE 230/260/270

Glass ceramic cooktop

Placa de cocción de vitrocerámica

Placa de fogão vitrocerâmica

Υαλοκεραμική βάση εστιών

Table of contents	3
Índice	11
Índice	19
Πίνακας περιεχομένων	27

Table of contents

Safety precautions	4
Causes of damage	5
Environmental protection	6
Tips on saving energy	6
Environmentally-friendly disposal	6
Your new appliance	7
Glass ceramic cooktop	7
Special accessories	8
Operation	9
Switching on	9
Switching off	9
Cooking zone combination	9
Residual heat indicator	9
Settings table	9
Care and cleaning	10
Cleaning the appliance	10
Do not use these cleaning agents	10
After-sales service	10

Additional information on products, accessories, replacement parts and services can be found at www.gaggenau.com and in the online shop www.gaggenau-eshop.com

⚠ Safety precautions

Please read this manual carefully. Please keep the instruction and installation manual as well as the appliance certificate in a safe place for later use or for subsequent owners.

This appliance must be installed according to the installation instructions included.

Check the appliance for damage after unpacking it. Do not connect the appliance if it has been damaged in transport.

Only a licensed professional may connect appliances without plugs. Damage caused by incorrect connection is not covered under warranty.

This appliance is intended for domestic use only. The appliance must only be used for the preparation of food and drink. The appliance must be supervised during operation.

This appliance is intended for use up to a maximum height of 2000 metres above sea level.

This appliance is not intended for operation with an external clock timer or a remote control.

Do not use covers. These can cause accidents, due to overheating, catching fire or materials shattering, for example.

Do not use inappropriate child safety shields or hob guards. These can cause accidents.

This appliance may be used by children over the age of 8 years old and by persons with reduced physical, sensory or mental capabilities or by persons with a lack of experience or knowledge if they are supervised or are instructed by a person responsible for their safety how to use the appliance safely and have understood the associated hazards.

Children must not play with, on, or around the appliance. Children must not clean the appliance or carry out general maintenance unless they are at least 8 years old and are being supervised.

Keep children below the age of 8 years old at a safe distance from the appliance and power cable.

Risk of fire!

- Hot oil and fat can ignite very quickly. Never leave hot fat or oil unattended. Never use water to put out burning oil or fat. Switch off the hotplate. Extinguish flames carefully using a lid, fire blanket or something similar.
- The hotplates become very hot. Never place combustible items on the hob. Never place objects on the hob.
- The appliance gets hot. Do not keep combustible objects or aerosol cans in drawers directly underneath the hob.

Risk of burns!

The hotplates and surrounding area (particularly the hob surround, if fitted) become very hot. Never touch the hot surfaces. Keep children at a safe distance.

Risk of electric shock!

- Incorrect repairs are dangerous. Repairs may only be carried out by one of our trained after-sales engineers. If the appliance is faulty, unplug the mains plug or switch off the fuse in the fuse box. Contact the after-sales service.
- Do not use any high-pressure cleaners or steam cleaners, which can result in an electric shock.
- A defective appliance may cause electric shock. Never switch on a defective appliance. Unplug the appliance from the mains or switch off the circuit breaker in the fuse box. Contact the after-sales service.
- Cracks or fractures in the glass ceramic may cause electric shocks. Switch off the circuit breaker in the fuse box. Contact the after-sales service.

Risk of injury!

Saucepans may suddenly jump due to liquid between the pan base and the hotplate. Always keep the hotplate and saucepan bases dry.

Causes of damage

Caution!

- Rough pot and pan bases scratch the ceramic.
- Avoid boiling pots dry. This may cause damage.
- Never place hot pots or pans on the control panel, the display area or the surround. This may cause damage.
- Damage can occur if hard or pointed objects fall on the hob.
- Aluminium foil and plastic containers melt on hot hotplates. Oven protective foil is not suitable for your hob.

Overview

The following table provides an overview of the most frequent kinds of damage:

Damage	Cause	Action
Stains	Food spills	Remove spills immediately with a glass scraper.
	Unsuitable cleaning agents	Only use cleaning agents which are suitable for ceramic
Scratches	Salt, sugar and sand	Do not use the hob as a work surface or storage space.
	Rough pot and pan bases scratch the ceramic.	Check your cookware.
Discolouration	Unsuitable cleaning agents	Only use cleaning agents which are suitable for ceramic
	Pan abrasion (e.g. aluminium)	Lift the pots and pans when moving them.
Blisters	Sugar, food with a high sugar content	Remove spills immediately with a glass scraper.

Environmental protection

Your new appliance is particularly energy-efficient. Here you can find tips on how to save even more energy when using the appliance, and how to dispose of your appliance properly.

Tips on saving energy

Please observe the following tips on saving energy:

- Saucepans and pots should always be covered with a suitable lid to shorten cooking times.
- Use good quality saucepans and pots with thick, even bases. Using cookware with uneven bases increases energy consumption.
- The size of the cookware should correspond to the amount of the food to be prepared. Large pots which are only half full waste energy.
- The diameter of the bases of the saucepans and pots should match the size of the cooking zone. Note: ovenware manufacturers often give the diameter of the top of the saucepan. It is usually larger than the diameter of the base of the saucepan.
- Use only a little water when cooking. This saves energy. It also preserves vitamins and minerals in vegetables.
- Use the residual heat of the cooktop to keep food warm.

Environmentally-friendly disposal

Dispose of packaging in an environmentally-friendly manner.

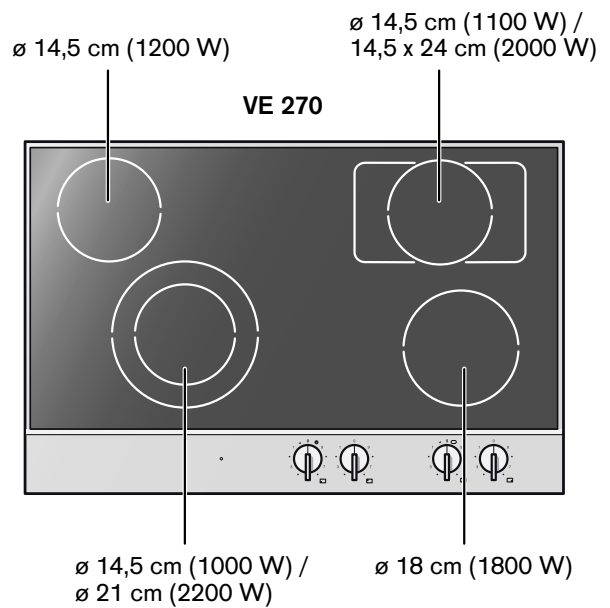
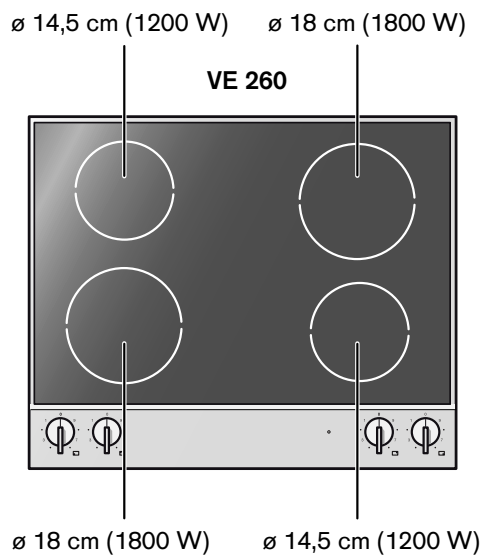
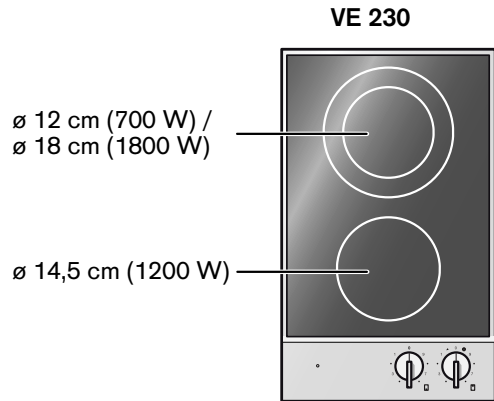


This appliance is labelled in accordance with European Directive 2012/19/EU concerning used electrical and electronic appliances (waste electrical and electronic equipment - WEEE). The guideline determines the framework for the return and recycling of used appliances as applicable throughout the EU.

Your new appliance

Your new appliance and its accessories are described in this section. The instruction manual is the same for various different hobs.

Glass ceramic cooktop



Special accessories

You can order the following special accessories from your specialist dealer:

- VD 201 014 stainless steel appliance cover
(only for VE 230)
- VD 201 034 aluminium appliance cover
(only for VE 230)
- VV 200 014 stainless steel connection strip for
combination with further Vario
appliances
- VV 200 034 aluminium connection strip for
combination with further Vario
appliances

Only use the accessories as specified. The manufacturer accepts no liability if these accessories are used incorrectly.

Operation

The markings on the control knobs show the position of the corresponding cooking zone and the heat setting.

Switching on

Turn the corresponding control knob to the left or right to the required cooking level. The indicator light goes on, when a cooking zone is switched on.

Notes

- Cooking zones featuring combination: the control knob can only be turned to the left to switch on the cooking zone.
- The cooking zones are regulated by switching the heating elements on and off. This is normal. The heating elements remain at full power and are switched on and off in longer or shorter intervals, depending on the setting.
- Even on the highest cooking level the heating elements will be switched on and off. This is normal.

Switching off

Turn the control knob to 0 to switch off the cooking zone. The residual heat display remains on as long as the cooking zone is too hot to be touched safely.

Note: Cooking zones featuring combination: the control knob cannot be turned directly from the combination position to the left to 0.

Cooking zone combination

Only for cooking zones featuring combination: the size of the cooking zone can be extended using cooking zone combination.

To activate the combination, turn the control knob to the left beyond 9 to the combination symbol and then back to the required cooking level.

Turn the control knob to 0 to switch off the cooking zone. When switching the cooking zone on again, the combination has to be activated again if required.

Note: The control knob cannot be turned directly from the combination position to the left to 0.

Residual heat indicator

For your safety the hob features individual residual heat indicators. A red signal lights up for each cooking zone.

The residual heat display indicates that, after switching off, a cooking zone has still not cooled down to such an extent that it can be safely touched.

Settings table

Setting	Cooking method	Examples
9	Boiling	Water
	Searing	Meat
	Heating	Fat, liquids
	Boiling	Soups, sauces
	Blanching	Vegetables
8 - 6	Roasting	Meat, fish, potatoes
7 - 5	Browning	Flour, onions
	Roasting	Almonds, breadcrumbs
	Baking	Pancakes, egg dishes
	Boiling in open pot	Liquids
6 - 5	Frying	Bacon
	Reducing	Stocks, sauces
5 - 4	Simmering	Crèmes, sauces
	Simmering in open pot	Dumplings, sausages, soup garnish, meat stock, poached eggs
	Boiling with closed lid	Pasta, soups, sauces
5 - 3	Steaming	Vegetables, potatoes, fish
	Stewing	Vegetables, fruit, fish
	Braising	Goulash, rolled beef steaks, roasts, vegetables
	Thawing	Frozen foods
	3 - 1	Slow cooking
3 - 1	Reheating, keeping warm	Soups, casserole, vegetables in a sauce
	Melting	Butter, chocolate
	Setting	Egg dishes

Switch to the highest cooking level in order to reach the required temperature quickly. Then always switch back to the lower cooking level.

The cooking levels are identical for all cooking zones.

The values given above must be looked upon as recommended values. The heat required depends not only on the type and condition of the food, but also the size and contents of the pot.

Care and cleaning

In this chapter you will find tips on how to maintain and clean your appliance correctly.

Risk of burns!

The appliance becomes hot during operation. Allow the appliance to cool down before cleaning.

Risk of electric shock!

Do not use any high-pressure cleaners or steam cleaners, which can result in an electric shock.

Cleaning the appliance

Clean the appliance after every use once it has cooled down. Remove spills immediately. Burnt in residues may be difficult to remove.

Part/surface	Recommended cleaning method
Glass ceramic	<p>Apply glass ceramic cleaner with a moist, soft cloth and wipe clean; then remove the cleaner with a moist cloth. Dry and polish with a soft cloth.</p> <p>You can order a suitable glass ceramic cleaner (order number 00311499) from your specialist retailer or online.</p> <p>Remove burnt-in residues immediately with a glass scraper (order number 00087670). Hold the glass scraper at a gentle angle when cleaning the cook-top.</p>
Control panel	<p>Clean with a soft, moist cloth and some soapy water; do not use too much water. Dry with a soft cloth.</p> <p>Immediately remove residues of food containing acid from the control panel (e. g. vinegar, ketchup, mustard, marinade).</p> <p>You can order a suitable care product for the control panel (order number 00311135) from your specialist retailer or online. Apply the care product evenly with a soft cloth on the control panel after cleaning.</p> <p>Do not use the glass scraper or the glass ceramic cleaner on the control panel.</p>
Control knobs	<p>Clean with a soft, moist cloth and some soapy water; do not use too much water.</p>


Do not use these cleaning agents

- Scouring or chemically aggressive cleaners
- Acidic cleaners (e.g. vinegar, citric acid, etc)
- Cleaners containing chlorine or with a high content of alcohol
- Oven cleaner
- Hard and scratchy sponges, brushes or scouring pads
- Thoroughly wash out new sponge cloths before using them.

After-sales service

In the event of repairs please contact our after-sales service. We are committed to find the best solution also in order to avoid an unnecessary call-out.

Please quote the E number (product number) and the FD number (production number) of your appliance when contacting the after-sales service. The rating plate bearing these numbers can be found on the bottom of the appliance. For future reference you can note the data of your appliance and the telephone number of our after-sales service below.

E-Nr.	FD-Nr.
<hr/>	
After-sales service 	

Please note that calling out an after-sales service technician is not free of charge, even within the warranty period, should the problem result from an operating error.

Please find the contact data of all countries in the enclosed customer service list.

To book an engineer visit and product advice

GB	0344 892 8988 Calls charged at local or mobile rate.
IE	01450 2655 0.03 € per minute at peak. Off peak 0.0088 € per minute.
AU	1300 368 339
NZ	09 477 0492

Trust the expertise of the manufacturer, and rest assured that the repair will be carried out by trained service technicians using original spare parts for your domestic appliance.

Índice

Consejos y advertencias de seguridad	12
Causas de los daños	13
Protección del medio ambiente	14
Consejos para el ahorro de energía	14
Eliminación de residuos respetuosa con el medio ambiente	14
Su aparato nuevo	15
Placa de cocción de vitrocerámica	15
Accesorios especiales	16
Manejo	16
Conectar	16
Apagar	16
Activación adicional	16
Indicador de calor residual	16
Tabla de ajuste	17
Cuidado y limpieza	17
Limpiar el aparato	17
No use los medios de limpieza siguientes	18
Servicio de atención al cliente	18

Encontrará más información sobre productos, accesorios, piezas de repuesto y servicios en internet: www.gaggenau.com y también en la tienda online: www.gaggenau-eshop.com

⚠️ Consejos y advertencias de seguridad

Leer con atención las siguientes instrucciones. Conservar las instrucciones de uso y montaje, así como la tarjeta del aparato para un uso posterior o para posibles compradores en un futuro.

Este aparato tiene que ser instalado según las instrucciones de montaje incluidas.

Comprobar el aparato al sacarlo de su embalaje. El aparato no debe conectarse en caso de haber sufrido daños durante el transporte.

Los aparatos sin enchufe deben ser conectados exclusivamente por técnicos especialistas autorizados. Los daños provocados por una conexión incorrecta no están cubiertos por la garantía.

Este aparato ha sido diseñado para uso doméstico. Utilizar el aparato exclusivamente para preparar alimentos y bebidas. Vigilarlo mientras está funcionando.

Este aparato está previsto para ser utilizado a una altura máxima de 2.000 metros sobre el nivel del mar.

Este aparato no está previsto para el funcionamiento con un reloj temporizador externo o un mando a distancia.

No usar cubiertas. Estas pueden provocar accidentes, p. ej. debido al sobrecalentamiento, ignición o desprendimiento de fragmentos de materiales.

No usar protectores inadecuados de seguridad para niños o guardas. Estos pueden causar accidentes.

Este aparato puede ser utilizado por niños a partir de 8 años y por personas con limitaciones físicas, sensoriales o psíquicas, o que carezcan de experiencia y conocimientos, siempre y cuando sea bajo la supervisión de una persona responsable de su seguridad o que le haya instruido en el uso correcto del aparato siendo consciente de los daños que se pudieran ocasionar.

No dejar que los niños jueguen con el aparato. La limpieza y el mantenimiento rutinario no deben encomendarse a los niños a menos que sean mayores de 8 años y lo hagan bajo supervisión.

Mantener los niños menores de 8 años alejados del aparato y del cable de conexión.

¡Peligro de incendio!

- El aceite caliente y la grasa se inflaman con facilidad. Estar siempre pendiente del aceite caliente y de la grasa. No apagar nunca con agua un fuego. Apagar la zona de cocción. Sofocar con cuidado las llamas con una tapa, una tapa extintora u otro medio similar.
- Las zonas de cocción se calientan mucho. No colocar objetos inflamables sobre la placa de cocción. No almacenar objetos sobre la placa de cocción.
- El aparato se calienta mucho. No guardar objetos inflamables o aerosoles en los cajones directamente debajo de la placa de cocción.

¡Peligro de quemaduras!

Las zonas de cocción y adyacentes, en especial el marco de la placa de cocción (si lo hay), se calientan mucho. No tocar nunca las superficies calientes. No dejar que los niños que acerquen.

¡Peligro de descarga eléctrica!

- Las reparaciones inadecuadas son peligrosas. Las reparaciones solo pueden ser efectuadas por personal del Servicio de Asistencia Técnica debidamente instruido. Si el aparato está defectuoso, extraer el enchufe o desconectar el fusible en la caja de fusibles. Avisar al Servicio de Asistencia Técnica.
- La humedad interior puede provocar una descarga eléctrica. No utilizar ni limpiadores de alta presión ni por chorro de vapor.
- Un aparato defectuoso puede ocasionar una descarga eléctrica. No conectar nunca un aparato defectuoso. Desenchufar el aparato de la red o desconectar el fusible de la caja de fusibles. Avisar al Servicio de Asistencia Técnica.

- Las fisuras o roturas en la vitrocerámica conllevan riesgo de electrocución.
Desconectar el fusible de la caja de fusibles.
Avisar al Servicio de Asistencia Técnica.

¡Peligro de lesiones!

Las ollas pueden saltar hacia arriba de forma repentina por la presencia de líquido entre la base del recipiente y la zona de cocción.

Mantener siempre secas la zona de cocción y la base del recipiente.

Causas de los daños

¡Atención!

- Las bases rugosas de recipientes rayan la vitrocerámica.
- No dejar recipientes vacíos al fuego. Pueden provocar daños.
- No colocar recipientes calientes sobre el panel de mando, la zona de indicadores o el marco. Pueden provocar daños.
- La caída de objetos duros o puntiagudos sobre la placa de cocción puede originar daños.
- El papel de aluminio y los recipientes de plástico se derriten sobre las zonas de cocción calientes. No se recomienda el uso de láminas protectoras en la placa de cocción.

Vista general

En la siguiente tabla le presentamos los daños más frecuentes:

Daños	Causa	Medida
Manchas	Alimentos derramados	Eliminar inmediatamente los alimentos que se derramen con un rascador para vidrio.
	Productos de limpieza inadecuados	Utilizar productos de limpieza adecuados para vitrocerámica
Rayaduras	Sal, azúcar y arena	No utilizar la placa de cocción como bandeja o encimera.
	Las bases rugosas de recipientes rayan la vitrocerámica	Comprobar los recipientes.
Decoloraciones	Productos de limpieza inadecuados	Utilizar productos de limpieza adecuados para vitrocerámica
	Roce de los recipientes (p. ej. aluminio)	Levantar las ollas y sartenes para cambiarlas de lugar.
Desconchaduras	Azúcar, sustancias con un alto contenido de azúcar	Eliminar inmediatamente los alimentos que se derramen con un rascador para vidrio.

Protección del medio ambiente

Su nuevo aparato presenta una gran eficiencia energética. Aquí se ofrecen consejos sobre cómo manejar el aparato ahorrando más energía y cómo desecharlo correctamente.

Consejos para el ahorro de energía

Tenga en cuenta los consejos siguientes para una cocción con ahorro energético:

- Coloque siempre la tapa adecuada sobre la olla. La duración de cocción se acorta notablemente.
- Utilice siempre baterías de cocina de una calidad buena con una base de olla plana gruesa. Las bases de ollas desiguales aumentan el consumo de energía.
- Seleccione la batería de cocina conforme a la cantidad de alimentos que desea preparar. Con baterías de cocina grandes pero semivacías desperdicia demasiada energía.
- El diámetro de la batería de cocina deberá corresponder al tamaño de la zona de cocción. Por favor tenga en cuenta: Los datos del fabricante del diámetro de olla hace referencia en la mayoría de las veces al diámetro superior. Este por regla general suele ser mayor que la base de la olla.
- Cueza con poca agua. Esto ahorra energía, además al cocinar verduras, se conservan las vitaminas y las sustancias minerales.
- Aproveche el calor residual de la zonas de cocción para mantener caliente los alimentos.

Eliminación de residuos respetuosa con el medio ambiente



Eliminar el embalaje de forma ecológica.



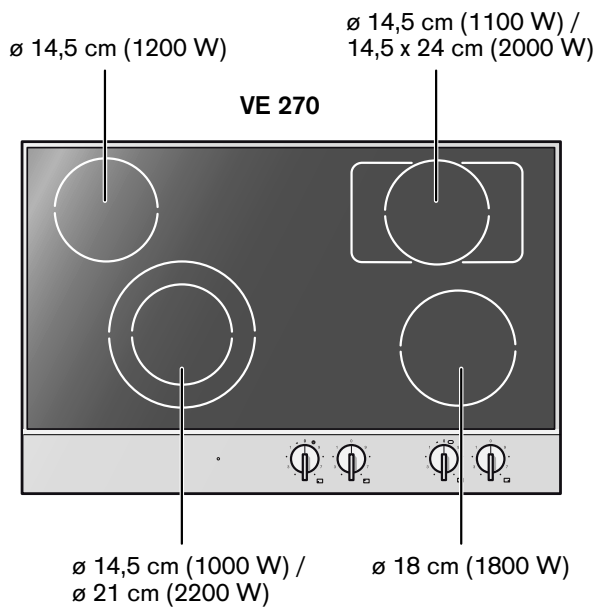
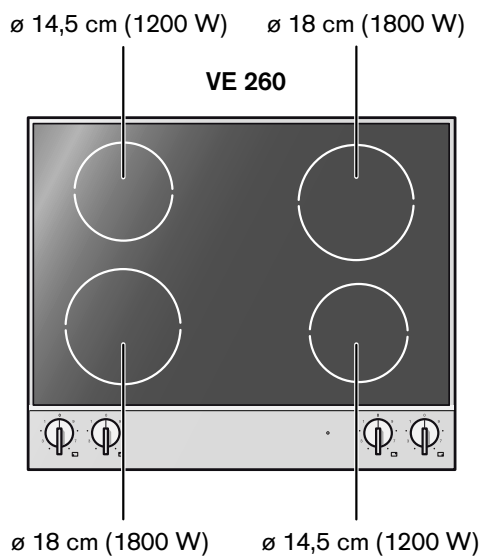
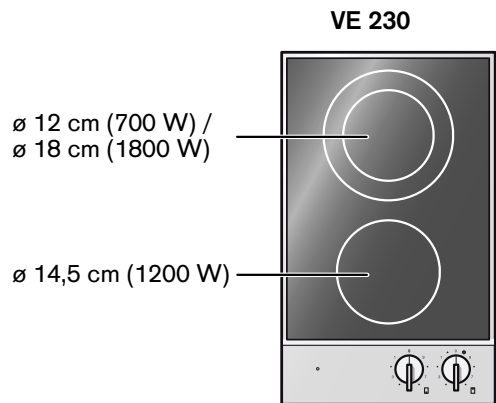
Este aparato está marcado con el símbolo de cumplimiento con la Directiva Europea 2012/19/UE relativa a los aparatos eléctricos y electrónicos usados (Residuos de aparatos eléctricos y electrónicos RAEE).

La directiva proporciona el marco general válido en todo el ámbito de la Unión Europea para la retirada y la reutilización de los residuos de los aparatos eléctricos y electrónicos.

Su aparato nuevo

Aquí aprende a familiarizarse con su aparato nuevo además de obtener información acerca del accesorio. Estas instrucciones de uso son válidas para diferentes placas de cocción.

Placa de cocción de vitrocerámica



Accesorios especiales

En su comerciante especializado, puede adquirir el accesorio indicado a continuación:

- VD 201 014 Cubierta de aparato de acero inoxidable (sólo para VE 230)
- VD 201 034 Cubierta de aparato de aluminio (sólo para VE 230)
- VV 200 014 Listón de unión de acero inoxidable, para combinar otros aparatos Vario
- VV 200 034 Listón de unión de aluminio, para combinar otros aparatos Vario

Utilice el accesorio tal como se ha prescrito. El fabricante no se hace responsable por un uso incorrecto.

Manejo

Las marcas en las manetas de mando muestran la posición correspondiente de la zona de cocción y de la graduación de potencia.

Conectar

Gire la maneta de mando correspondiente hacia la izquierda o bien hacia la derecha a la graduación de cocción elegida. La lámpara de control se ilumina al momento de encender una zona de cocción.

Notas

- En las zonas de cocción con activación adicional puede girar el mando a distancia hacia la izquierda para conectar.
- El mando de la placa de cocción enciende y apaga las zonas de cocción durante el funcionamiento. Esto es normal. Las zonas de cocción calientan siempre a plena potencia y son encendidas y apagadas a intervalos de tiempo más cortos o más largos según la graduación de cocción ajustada.
- Incluso desde la graduación de cocción máxima, se encienden y se apagan las zonas de cocción durante el funcionamiento. Esto es normal.

Apagar

Gire la maneta de mando correspondiente a la posición 0. Si está iluminada la indicación de calor remanente, la zona de cocción correspondiente está demasiado caliente para poderla tocar sin riesgo.

Nota: En las zonas de cocción con activación adicional no puede girar la maneta de mando directamente hacia la izquierda desde la posición activación adicional a la posición 0.

Activación adicional

Sólo en las zonas de cocción dotadas con una activación adicional: El tamaño de la zona de cocción puede ampliarse con una activación adicional.

Para activarla gire la maneta de mando hacia la izquierda superando la graduación 9 hasta alcanzar la posición activación adicional y a continuación puede retroceder a la graduación de cocción elegida.

Gire para desconectar la maneta de mando a la posición 0. Al conectar de nuevo la activación adicional está apagada y se puede volver a activar si se desea.

Nota: La maneta de mando no se puede girar directamente hacia la izquierda desde la posición de activación adicional a la posición 0.

Indicador de calor residual

La placa de cocción va dotada para su seguridad con una indicación de calor residual individual. Se ilumina con un punto rojo para cada zona de cocción.

Si brilla la indicación de calor residual es indicio de que la zona de cocción correspondiente está demasiado caliente para poder tocarla sin riesgo.

Tabla de ajuste

Rango de ajuste	Métodos de cocción	Ejemplos
9	Cocción inicial	Agua
	Sofreir	Carne
	Calentar	Grasa, Líquidos
	Ebullición	Sopas, Salsas
	Escaldar	Verduras
8 - 6	Asado	Carne, Pescado, Patatas
7 - 5	Tueste ligero	Harina, Cebollas
	Tostar	Almendras, Pan rallado
	Hornear	Platos con harina, platos con huevo
	Continuar la cocción con recipiente abierto	Líquidos
6 - 5	Derretir	Tocino
	Reducir	Fonds, Salsas
5 - 4	Batir	Cremas, Salsas
	Continuar la fritura con recipiente abierto	Albóndiga de patata, Salchichas hervidas, Ingredientes para sopa, Carne para sopa, huevos escalados
5 - 3	Continuar cocción con tapa cerrada	Pastas, Sopas, Salsas
	Cocción a vapor	Verdura, Patatas, Pescado
	Rehogar	Verdura, Fruta, Pescado
	Asar a fuego lento	Estofado, Redondo de carne, Asar, Verdura
	Descongelar	Alimentos congelados
3 - 1	Hincharse	Arroz, Legumbres
	Calentar, Mantener caliente	Sopas, Cocidos, Verduras en salsa
	Fundir	Mantequilla, Chocolate
	Cuajar	Platos con huevo

Seleccione el nivel de potencia más alto para alcanzar rápidamente la temperatura deseada. A continuación reduzca siempre la potencia, hasta el nivel de potencia deseado.

Los rangos de ajuste son iguales para todas las zonas de cocción.

Los valores de la tabla de ajuste son meramente orientativos, ya que según el tipo y estado de los alimentos, así como el tamaño y el nivel llenado de la olla, puede ser necesario más o menos calor.

Cuidado y limpieza

En este capítulo encontrará consejos e indicaciones sobre un cuidado óptimo y limpieza de su aparato.

⚠ ¡Peligro de quemaduras!

El aparato se calienta durante el funcionamiento. Antes de proceder a la limpieza del aparato, dejar que se enfríe.

⚠ ¡Peligro de descarga eléctrica!

La humedad interior puede provocar una descarga eléctrica. No utilizar ni limpiadores de alta presión ni por chorro de vapor.

Limpiar el aparato

Limpe el aparato después de cada uso una vez enfriado. Retire los líquidos derramados, no permita que se incrusten los restos de los alimentos.

Parte del aparato/Superficie	Limpieza recomendada
Superficie de vitrocerámica	<p>Aplicar y frotar con un limpiador de vitrocerámica mediante paño blando húmedo; Limpiar a continuación por completo con un paño húmedo. Frotar a continuación con un paño seco y pulir.</p> <p>En su comerciante especializado o bien en nuestra tienda online puede adquirir un limpiador de vitrocerámica apropiado (Número de pedido 00311499).</p> <p>Las suciedades quemadas se han de eliminar con una rasqueta para cristal de inmediato (Número de pedido 00087670). Asentar para la limpieza la rasqueta para cristal de forma plana.</p>

Parte del aparato/Superficie	Limpieza recomendada
Cuadro de mando	<p>Limpiar con un paño blando húmedo y algo de detergente; el paño no debe estar húmedo en exceso. Frotar hasta secar con un paño seco.</p> <p>Los alimentos ácidos que caigan sobre el panel de mando se han de eliminar de inmediato (p. ej. vinagre, ketchup, mostaza, escabeches).</p> <p>Para el cuidado de su panel de mando puede adquirir en su comerciante especializado o bien en nuestra tienda Online un aceite de conservación apropiado (Número de pedido 00311135). Aplique aceite de conservación después de la limpieza del panel de mando de forma uniforme con un paño.</p> <p>No usar la rasqueta para cristal y el limpiador de vitrocerámica para el panel de mando.</p>
Maneta de mando	Limpiar con un paño blando húmedo y algo de detergente; el paño no debe estar húmedo en exceso.

No use los medios de limpieza siguientes

- Productos de limpieza abrasivos o bien agresivos
- Limpiadores ácidos (p. ej. vinagre, ácido cítrico, etc.)
- Limpiadores con cloro o de alcohol intenso
- Pulverizadores para hornos
- Esponjas de fregar, cepillos o bien estropajos duros o abrasivos
- Lavar bien los paños de lavado nuevo antes de su uso

Servicio de atención al cliente

Si su aparato necesita una reparación, nuestro servicio de atención al cliente estará encantado de ayudarle. Siempre encontramos la solución adecuada, incluso para evitar visitas innecesarias de los técnicos.

Cuando llame por teléfono, indique la referencia del producto (Nº E) y el número de fabricación (Nº FD) para que podamos ofrecerle un servicio cualificado. La placa de identificación con los números correspondientes los encontrará en la parte inferior del aparato. Para evitar tener que buscar los datos de su aparato cuando los precise, es aconsejable anotarlos aquí conjuntamente con el número de teléfono del Servicio de atención al cliente.

Nº E.	Nº FD.

Servicio de atención al cliente



Tenga en cuenta que la visita del técnico del servicio de atención al cliente no es gratuito en caso de que el mal funcionamiento sea debido a un manejo incorrecto del aparato.

Las señas de las delegaciones internacionales figuran en la lista adjunta de centros y delegaciones del Servicio de Asistencia Técnica Oficial.

Solicitud de reparación y asesoramiento en caso de averías

E 902 30 30 44

Confíe en la competencia del fabricante. De esa forma se asegura de que la reparación se lleva a cabo por personal técnico debidamente instruido, equipado con las piezas originales y de repuesto necesarias para su aparato.

Índice

Indicações de segurança	20
Causas de danos	21
Protecção do meio ambiente	22
Sugestões de poupança de energia	22
Eliminação ecológica	22
O seu aparelho novo	23
Placa de fogão vitrocerâmica	23
Acessórios especiais	24
Utilização	24
Ligar	24
Desligar	24
Zona de cocção intermédia	24
Indicador de calor residual	25
Tabela de ajustes	25
Cuidados e Limpeza	26
Limpeza do aparelho	26
Não usar os seguintes produtos de limpeza	26
Serviço de Apoio ao Cliente	26

Obtenha mais informações relativas a produtos, acessórios, peças sobresselentes e Assistência Técnica na Internet: www.gaggenau.com e na loja Online: www.gaggenau-eshop.com

⚠️ Indicações de segurança

Leia atentamente as presentes instruções. Guarde as instruções de utilização e de montagem bem como o cartão de identificação do aparelho para futura consulta ou para um proprietário posterior.

Este aparelho tem de ser instalado segundo as instruções de montagem incluídas.

Examine o aparelho depois de o desembalar. Se forem detectados danos de transporte, não ligue o aparelho.

Apenas os técnicos licenciados estão autorizados a ligar aparelhos sem ficha. A garantia não cobre danos causados por uma ligação incorrecta.

Este aparelho destina-se exclusivamente a uso privado e doméstico. Use o aparelho apenas para a preparação de refeições e bebidas. Vigie o aparelho durante o funcionamento.

O aparelho foi concebido para ser utilizado até a uma altitude de 2000 metros acima do nível do mar, no máximo.

Este aparelho não foi previsto para ser utilizado com um temporizador externo ou um telecomando externo.

Não utilize tampas para a placa de cozinhar. Podem provocar acidentes, p. ex., devido ao sobreaquecimento, à inflamação ou ao rebentamento dos materiais.

Não utilize dispositivos de proteção inadequados ou grelhas de proteção para crianças. Podem provocar acidentes.

Este aparelho pode ser usado por crianças com mais de 8 anos e por pessoas com limitações físicas, sensoriais ou mentais ou com pouca experiência ou conhecimentos, se estiverem sob vigilância de uma pessoa responsável pela sua segurança ou tiverem sido instruídas acerca da utilização segura do aparelho e tiverem compreendido os perigos decorrentes da sua utilização.

As crianças não devem brincar com o aparelho. As tarefas de limpeza e manutenção por parte do utilizador não devem ser efectuadas por crianças, a não ser que tenham mais de 8 anos e estejam sob vigilância.

As crianças menores de 8 anos devem manter-se afastadas do aparelho e do cabo de ligação.

Perigo de incêndio!

- O óleo e a gordura quentes incendiam-se rapidamente. Nunca deixe óleo ou gordura quentes sem vigilância. Nunca apague fogo com água. Desligue a zona de cozinhar. Abafe as chamas com uma tampa, manta de amianto ou um objecto equivalente.
- As zonas de cozinhar ficam muito quentes. Nunca coloque objectos inflamáveis sobre a placa de cozinhar. Não guarde objectos sobre a placa de cozinhar.
- O aparelho atinge temperaturas altas. Não guarde objectos inflamáveis ou latas de spray em gavetas directamente por baixo da placa de cozinhar.

Perigo de queimaduras!

As zonas de cozinhar e as suas imediações, nomeadamente uma estrutura da placa de cozinhar, eventualmente existente, ficam muito quentes. Nunca toque nas superfícies quentes. Mantenha as crianças afastadas.

Perigo de choque eléctrico!

- As reparações indevidas são perigosas. As reparações só podem ser efectuadas por técnicos especializados do serviço de assistência técnica. Se o aparelho estiver avariado, puxe a ficha da tomada ou desligue o disjuntor no quadro eléctrico. Contacte o serviço de assistência técnica.
- A humidade que se infiltra no aparelho pode dar origem a um choque eléctrico. Não utilize aparelhos de limpeza a alta pressão ou de limpeza a vapor.
- Um aparelho avariado pode causar choques eléctricos. Nunca ligue um aparelho avariado. Puxe a ficha da tomada ou desligue o disjuntor no quadro eléctrico. Contacte o Serviço de Assistência Técnica.
- Se a vitrocerâmica estiver estalada ou apresentar falhas pode dar origem a choques eléctricos. Desligue o disjuntor no quadro eléctrico. Contacte o serviço de assistência técnica.

Perigo de ferimentos!

Os recipientes de cozinhar podem saltar repentinamente devido a líquidos entre a base do recipiente e a zona de cozinhar. Mantenha a zona de cozinhar e a base do recipiente sempre secas.

Causas de danos

Atenção!

- As bases ásperas dos recipientes riscam a placa de vitrocerâmica.
- Evite ligar zonas de cozinhar com tachos vazios sobre as mesmas, pois pode danificá-los.
- Não coloque frigideiras e tachos quentes sobre o painel de comandos, a zona indicadora ou o friso da placa, pois pode danificá-los.
- A queda de objectos duros ou pontiagudos sobre a placa de cozinhar pode provocar danos.
- Se colocar folha de alumínio ou recipientes de plástico sobre as zonas de cozinhar quentes, estes derretem e agarram-se à placa. A utilização de película de protecção para fogões não é indicada para a sua placa de cozinhar.

Vista geral

Na tabela seguinte pode encontrar os danos que ocorrem com maior frequência:

Danos	Causa	Medida
Manchas	Alimentos derramados	Remova imediatamente os alimentos derramados com um raspador para vidros.
	Produtos de limpeza inadequados	Utilize apenas produtos de limpeza adequados à vitrocerâmica
Riscos	Sal, açúcar e areia	Não utilize a placa de cozinhar como bancada ou superfície de trabalho
	As bases ásperas de tachos e frigideiras riscam a vitrocerâmica.	Verifique a sua loiça.
Descolorações	Produtos de limpeza inadequados	Utilize apenas produtos de limpeza adequados à vitrocerâmica
	Fricção das panelas (por ex., alumínio)	Levante os tachos e as frigideiras ao deslocá-los.
Lascas	Açúcar, alimentos com elevado teor de açúcar	Remova imediatamente os alimentos derramados com um raspador para vidros.

Protecção do meio ambiente

O seu novo aparelho é especialmente eficiente do ponto de vista energético. Nesta secção encontrará conselhos para poupar ainda mais energia ao utilizar o seu aparelho e para o eliminar de forma adequada.

Sugestões de poupança de energia

Queira observar as seguintes sugestões relativamente ao cozinhar com poupança de energia:

- Coloque sempre um testo de tamanho adequado. A duração da cozedura é reduzida de forma considerável.
- Utilize apenas louça metálica de cozinha de elevada qualidade com fundos espessos e uniformes. Tachos com fundos irregulares aumentam o consumo de energia.
- Opte por louça metálica de cozinha que corresponda à quantidade de alimentos que pretende preparar. Louça metálica de cozinha de grandes dimensões, mas meia vazia consome muita energia.
- O diâmetro da louça metálica de cozinha deve corresponder ao diâmetro da zona de cocção. Observe ainda os seguintes aspectos: muitas vezes, as informações dos fabricantes da louça metálica de cozinha referem-se ao diâmetro superior. Por norma, este é superior ao do fundo do tacho.
- Cozinhe com pouca água. Desta forma poupa energia e preserva as vitaminas e os minerais dos legumes.
- Aproveite o calor residual das zonas de cocção para manter os cozinhados quentes.

Eliminação ecológica

Elimine a embalagem de forma ecológica.



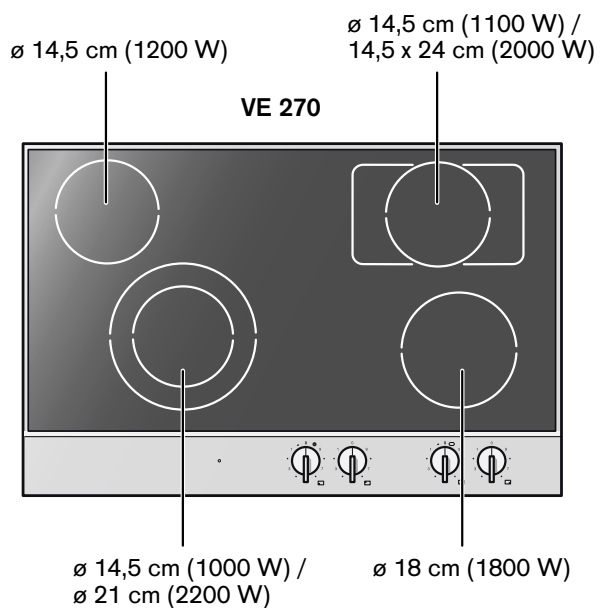
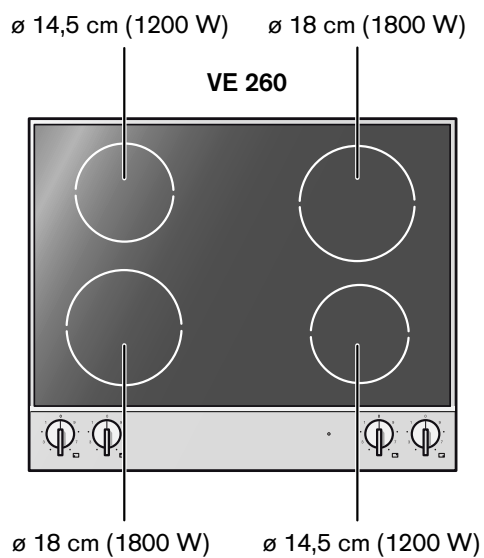
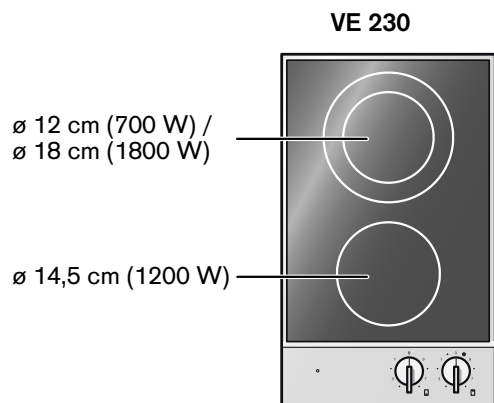
Este aparelho está marcado em conformidade com a Directiva 2012/19/UE relativa aos resíduos de equipamentos eléctricos e electrónicos (waste electrical and electronic equipment - WEEE).

A directiva estabelece o quadro para a criação de um sistema de recolha e valorização dos equipamentos usados válido em todos os Estados Membros da União Europeia.

O seu aparelho novo

Aqui vai conhecer o seu aparelho novo e encontrar informações relativamente aos acessórios. Este manual de instruções destina-se a diferentes placas de fogão.

Placa de fogão vitrocerâmica



Acessórios especiais

Poderá encomendar os seguintes acessórios através do seu revendedor:

- VD 201 014 Cobertura do aparelho em aço inoxidável (apenas para o modelo VE 230)
- VD 201 034 Cobertura do aparelho em alumínio (apenas para o modelo VE 230)
- VV 200 014 Régua de união em aço inoxidável, para a combinação com outros aparelhos Vario
- VV 200 034 Régua de união em alumínio, para a combinação com outros aparelhos Vario

Utilize os acessórios apenas de acordo com as instruções. O fabricante não se responsabiliza quando os acessórios são utilizados de forma incorrecta.

Utilização

As marcações nos botões de comando indicam-lhe a posição da respectiva zona de cocção e os níveis de potência.

Ligar

Rode o respectivo botão de comando para a esquerda ou direita, para o nível de potência pretendido. A luz-piloto acende-se assim que se liga uma zona de cocção.

Notas

- Nas zonas de cocção com zona de cocção intermédia, o botão de comando só pode ser rodado para a esquerda para ligar.
- Durante o funcionamento, o comando da placa de fogão liga e desliga as zonas de cocção. Tal é normal. As zonas de cocção aquecem sempre com a potência máxima e, dependendo do nível de potência ajustado, são ligadas ou desligadas em intervalos menores ou maiores.
- Mesmo no nível de potência máxima, as zonas de cocção ligam e desligam-se durante o funcionamento. Tal é normal.

Desligar

Rode o respectivo botão de comando para a posição 0. O indicador de calor residual está aceso enquanto a zona de cocção está demasiado quente para poder ser tocada sem perigo.

Nota: Nas zonas de cocção com zona de cocção intermédia, não pode rodar directamente o botão de comando da posição zona de cocção intermédia para a esquerda, para a posição 0.

Zona de cocção intermédia

Apenas nas zonas de cocção que dispõem de uma zona de cocção intermédia: O tamanho da zona de cocção pode ser ampliado com a zona de cocção intermédia.

Para activar a zona de cocção intermédia, rode o botão de comando para a esquerda, passando o nível 9 até à posição zona de cocção intermédia e, em seguida, de volta para o nível de potência pretendido.

Para desligar, rode o botão de comando para a posição 0. Quando se volta a ligar a zona de cocção, a zona de cocção intermédia está desligada e, em caso de necessidade, tem de voltar a ser adicionada.

Nota: Não é possível rodar o botão de comando directamente da posição zona de cocção intermédia para a esquerda, para a posição 0.

Indicador de calor residual

Para sua segurança, a placa de fogão está equipada com um indicador individual de calor residual. Este pisca sob forma de ponto vermelho para cada zona de cocção.

Quando o indicador de calor residual está aceso, a respectiva zona de cocção está demasiado quente para poder ser tocada sem perigo.

Tabela de ajustes

Zona de ajustes	Processo de cozedura	Exemplos
9	Ferver	Água
	Alourar	Carne
	Aquecer	Gordura, líquidos
	Cozer	Sopas, molhos
	Branquear	Legumes
8 - 6	Assar	Carne, peixe, batatas
7 - 5	Alourar	Farinha, cebolas
	Torrar	Amêndoas, pão ralado
	Cozer no forno	Cozinhados com farinha, cozinhados com ovos
	Prosseguir a cozedura no recipiente aberto	Líquidos
6 - 5	Refogar	toucinho
	Reduzir	Caldos, molhos
5 - 4	Emulsionar	Crems, molhos
	Apurar no recipiente aberto	Knödel, salsichas escaldadas, acompanhamentos para sopas, carne para a sopa, ovos escalfados
5 - 3	Prosseguir a cozedura no recipiente tapado	Massas, sopas, molhos
	Cozinhar a vapor	Legumes, batatas, peixe
	Cozinhar lentamente	Legumes, fruta, peixe
	Estufar	Gulasch, bifes enrolados, assados, legumes
	Descongelar	Alimentos congelados
3 - 1	Demolhar	Arroz, leguminosas
	Aquecer, manter quente	Sopas, guisados, legumes em molho
	Derreter	Manteiga, chocolate
	Coalhar	Cozinhados com ovos

Ligue o nível de potência máximo para atingir rapidamente a temperatura pretendida. Em seguida, volte a ajustar sempre o nível de potência pretendido.

As zonas de ajuste são iguais para todas as zonas de cocção.

Os valores da tabela de ajuste servem apenas como um valor de orientação, uma vez que, dependendo do tipo e estado do alimento, bem como do nível de enchimento da panela, é necessária mais ou menos energia.

Cuidados e Limpeza

Neste capítulo encontrará dicas e sugestões para os cuidados e a limpeza ideal do seu aparelho.

Perigo de queimaduras!

O aparelho aquece durante o funcionamento. Deixe o aparelho arrefecer antes de realizar a limpeza.

Perigo de choque eléctrico!

A humidade que se infiltra no aparelho pode dar origem a um choque eléctrico. Não utilize aparelhos de limpeza a alta pressão ou de limpeza a vapor.

Limpeza do aparelho

Limpe o aparelho após cada utilização, depois do mesmo ter arrefecido. Remova os líquidos derramados imediatamente, não permita a incrustação dos resíduos.

Parte do aparelho/superfície	Limpeza recomendada
Superfície vitrocerâmica	<p>Aplicar o produto de limpeza para vitrocerâmicas com um pano macio e húmido, e esfregar; em seguida limpar completamente com um pano húmido. Secar com um pano macio e polir.</p> <p>O produto de limpeza para vitrocerâmicas (n.º de encomenda 00311499) está disponível na nossa loja online ou na loja onde adquiriu o aparelho.</p> <p>Remover a sujidade incrustada imediatamente com o raspador de vitrocerâmica (n.º de encomenda 00087670). Aplicar o raspador de vitrocerâmica de forma plana.</p>
Painel de comando	<p>Limpar com um pano macio e húmido e um pouco de detergente; o pano não pode estar muito molhado. Secar com um pano macio.</p> <p>Remover imediatamente alimentos ácidos (p. ex. vinagre, ketchup, mostarda, marinadas) que tenham caído no painel de comando.</p> <p>Existe um óleo de tratamento (n.º de encomenda 00311135) adequado para o painel de comando; este está disponível na nossa loja online ou na loja onde adquiriu o aparelho. Após a limpeza, aplique o óleo de tratamento uniformemente sobre o painel de comando, com um pano macio.</p> <p>Não usar o raspador de vitrocerâmica nem o produto de limpeza para vitrocerâmicas no painel de comando.</p>
Botão de comando	Limpar com um pano macio e húmido e um pouco de detergente; o pano não pode estar muito molhado.

Não usar os seguintes produtos de limpeza

- Produtos de limpeza abrasivos ou agressivos
- Produtos de limpeza com substâncias ácidas (p. ex. vinagre, ácido cítrico, etc.)
- Produtos de limpeza com cloro ou elevado teor alcoólico
- Spray para limpeza de fornos
- Esponjas duras e abrasivas, escovas ou esfregões
- Panos de cozinha novos devem ser muito bem enxaguados antes de serem utilizados.

Serviço de Apoio ao Cliente

Se o aparelho tiver de ser submetido a uma reparação, o nosso Serviço de Apoio ao Cliente está ao seu dispor. Encontramos sempre uma solução adequada, de forma a evitar deslocações desnecessárias dos técnicos.

Quando nos contactar queira indicar sempre o número de produto (n.º E) e o número de fabrico (n.º FD), para que lhe possamos prestar uma assistência qualificada. A placa de características com estes números encontra-se na parte inferior do aparelho. Para que, em caso de necessidade, não tenha de perder muito tempo à procura dos dados do seu aparelho e do número de telefone do Serviço de Apoio ao Cliente, pode inserir os mesmos neste local.

N.º E

N.º FD

Serviço de Apoio ao Cliente

Tenha em conta que, no caso de utilização incorrecta, a visita do técnico do Serviço de Apoio ao Cliente não é gratuita, mesmo dentro período da garantia.

Os dados para contacto com todos os países encontram-se no índice dos Serviços Técnicos anexo.

Ordem de reparação e apoio em caso de anomalias

PT 21 4250 790

Confie na competência do fabricante. Terá assim a garantia que a reparação é efectuada por técnicos especializados do Serviço de Assistência Técnica, equipados com peças de substituição originais para o seu electrodoméstico.

Πίνακας περιεχομένων

Υποδείξεις ασφαλείας	28
Αιτίες των ζημιών	29
Προστασία περιβάλλοντος	30
Συμβουλές για την εξοικονόμηση ενέργειας	30
Απόσυρση σύμφωνα με τους κανόνες προστασίας του περιβάλλοντος	30
Η καινούργια σας συσκευή	31
Κεραμική βάση εστιών	31
Ειδικός εξοπλισμός	32
Χειρισμός	32
Ενεργοποίηση	32
Απενεργοποίηση	32
Πρόσθετη ενεργοποίηση	32
Ενδειξη υπόλοιπης θερμότητας	33
Πίνακας ρύθμισης	33
Φροντίδα και καθαρισμός	34
Καθαρισμός της συσκευής	34
Μη χρησιμοποιείτε τα ακόλουθα μέσα καθαρισμού	34
Σέρβις πελατών	35

Περαιτέρω πληροφορίες για τα προϊόντα, τα εξαρτήματα, τα ανταλλακτικά και το σέρβις θα βρείτε στο διαδίκτυο (Internet): www.gaggenau-home.com και στο online-shop: www.gaggenau-eshop.com

⚠ Υποδείξεις ασφαλείας

Διαβάστε προσεκτικά αυτές τις οδηγίες. Φυλάξτε τις οδηγίες χρήσης και συναρμολόγησης καθώς επίσης και την κάρτα συσκευής για μια αργότερη χρήση ή για τον επόμενο ιδιοκτήτη.

Η παρούσα συσκευή πρέπει να εγκατασταθεί σύμφωνα με τις οδηγίες εγκατάστασης που περιλαμβάνονται.

Μετά την αφαίρεση από τη συσκευασία, ελέγξτε τη συσκευή. Σε περίπτωση ζημιάς κατά τη μεταφορά μην την συνδέσετε.

Μόνο ένας αδειούχος εγκαταστάτης επιτρέπεται να συνδέσει τις συσκευές χωρίς φως. Σε περίπτωση ζημιών που οφείλονται σε λάθος σύνδεση, δεν έχετε κανένα δικαίωμα εγγύησης.

Αυτή η συσκευή προορίζεται μόνο για την οικιακή χρήση και το οικιακό περιβάλλον. Χρησιμοποιείτε τη συσκευή μόνο για την παρασκευή φαγητών και ποτών. Κατά τη διάρκεια της λειτουργίας επιτηρείτε τη συσκευή.

Αυτή η συσκευή προορίζεται για χρήση μέχρι ένα μέγιστο ύψος 2.000 μέτρων πάνω από την επιφάνεια της θάλασσας.

Αυτή η συσκευή δεν προορίζεται για τη λειτουργία με έναν εξωτερικό χρονοδιακόπτη ή ένα τηλεχειριστήριο.

Μη χρησιμοποιείτε καλύμματα της βάσης εστιών. Τα καλύμματα μπορεί να οδηγήσουν σε ατυχήματα, π.χ. από υπερθέρμανση, ανάφλεξη ή θραύση υλικών.

Μη χρησιμοποιείτε ακατάλληλες διατάξεις προστασίας ή ακατάλληλα προστατευτικά πλέγματα παιδιών. Μπορεί να οδηγήσουν σε ατυχήματα.

Αυτή η συσκευή επιτρέπεται να χρησιμοποιηθεί από παιδιά άνω των 8 ετών και από άτομα με μειωμένες φυσικές, αισθητήριες ή πνευματικές ικανότητες ή με ανεπαρκή εμπειρία ή γνώση, όταν επιτηρούνται ή εάν έχουν λάβει σχετικές οδηγίες για την ασφαλή χρήση της συσκευής από ένα άτομο που είναι υπεύθυνο για την ασφάλειά τους και έχουν κατανοήσει τους κινδύνους που μπορούν να προκύψουν.

Τα παιδιά δεν επιτρέπεται να παίζουν με τη συσκευή. Ο καθαρισμός και η συντήρηση από το χρήστη δεν επιτρέπεται να πραγματοποιηθούν από παιδιά, εκτός εάν είναι 8 ετών και άνω και επιτηρούνται.

Κρατάτε τα παιδιά που είναι κάτω των 8 ετών μακριά από τη συσκευή και το καλώδιο σύνδεσης.

Κίνδυνος πυρκαγιάς!

- Το καυτό λάδι και λίπος παίρνουν γρήγορα φωτιά. Μην αφήνετε ποτέ χωρίς επιτήρηση το καυτό λάδι και λίπος. Μη σβήνετε ποτέ τη φωτιά με νερό. Απενεργοποιήστε την εστία μαγειρέματος. Σβήνετε τις φλόγες προσεκτικά με ένα καπάκι, μια κουβέρτα πυρόσβεσης ή κάτι παρόμοιο.
- Οι εστίες μαγειρέματος ζεσταίνονται πάρα πολύ. Μην ακουμπάτε ποτέ εύφλεκτα αντικείμενα πάνω στη βάση εστιών. Μην τοποθετείτε αντικείμενα πάνω στη βάση εστιών.
- Η συσκευή ζεσταίνεται πολύ. Μην αποθηκεύετε εύφλεκτα αντικείμενα ή κουτιά σπρέι σε συρτάρια απευθείας κάτω από τη βάση εστιών.

Κίνδυνος εγκαύματος!

Οι εστίες μαγειρέματος και το περιβάλλον τους, ιδιαίτερα ένα πλαίσιο του πεδίου μαγειρέματος που ενδεχομένως υπάρχει, ζεσταίνονται πάρα πολύ. Μην ακουμπήσετε ποτέ τις καυτές επιφάνειες. Κρατάτε τα παιδιά μακριά.

Κίνδυνος ηλεκτροπληξίας!

- Οι ακατάλληλες επισκευές είναι επικίνδυνες. Οι επισκευές επιτρέπεται να γίνονται μόνο από έναν τεχνικό του τμήματος εξυπηρέτησης πελατών, εκπαιδευμένο από εμάς. Εάν η συσκευή έχει βλάβη, τραβήξτε το ρευματολήπτη (φίς) από την πρίζα ή κατεβάστε/ξεβιδώστε την ασφάλεια στο κιβώτιο των ασφαλειών. Καλέστε την υπηρεσία τεχνικής εξυπηρέτησης πελατών.
- Μια εισχώρηση υγρασίας μπορεί να προκαλέσει μια ηλεκτροπληξία. Μη χρησιμοποιείτε συσκευές καθαρισμού υψηλής πίεσης ή συσκευές εκτόξευσης ατμού.
- Μια ελαττωματική συσκευή μπορεί να προκαλέσει μια ηλεκτροπληξία. Μην ενεργοποιείτε ποτέ μια χαλασμένη συσκευή. Τραβήξτε το ρευματολήπτη (φίς) από την πρίζα ή κατεβάστε/ξεβιδώστε την ασφάλεια στο κιβώτιο των ασφαλειών. Καλέστε την υπηρεσία τεχνικής εξυπηρέτησης πελατών.
- Τα σπασίματα ή τα ραγίσματα στην υαλοκεραμική πλάκα μπορούν να προκαλέσουν ηλεκτροπληξία. Κατεβάστε την

ασφάλεια στο κιβώτιο των ασφαλειών.
Καλέστε την υπηρεσία τεχνικής
εξυπηρέτησης πελατών.

Κίνδυνος τραυματισμού!

Οι κατσαρόλες μπορεί να πεταχτούν ξαφνικά ψηλά, όταν υπάρχει υγρό μεταξύ του πάτου της κατσαρόλας και της εστίας μαγειρέματος. Κρατάτε την εστία μαγειρέματος και τον πάτο της κατσαρόλας πάντοτε στεγνά.

Αιτίες των ζημιών

Προσοχή!

- Οι τραχείς πάτοι κατσαρολών και τηγανιών δημιουργούν γρατσουνιές στο υαλοκεραμικό υλικό.
- Αποφεύγετε το μαγείρεμα μέχρι να αδειάσουν εντελώς οι κατσαρόλες. Μπορούν να προκύψουν ζημιές.
- Μην τοποθετείτε ποτέ καυτά τηγάνια και κατσαρόλες πάνω στο πεδίο χειρισμού, στην περιοχή ενδείξεων ή στο πλαίσιο. Μπορούν να προκύψουν ζημιές.
- Εάν πέσουν σκληρά ή αιχμηρά αντικείμενα πάνω στη βάση εστιών, μπορούν να δημιουργηθούν ζημιές.
- Το αλουμινόχαρτο και τα πλαστικά δοχεία λιώνουν πάνω στις καυτές εστίες μαγειρέματος. Η μεμβράνη προστασίας των εστιών δεν είναι κατάλληλη για τη βάση εστιών.

Επισκόπηση

Στον ακόλουθο πίνακα θα βρείτε τις συχνότερες ζημιές:

Ζημιές	Αιτία	Μέτρα αντιμετώπισης
Λεκέδες	Υπερχειλισμένα φαγητά	Απομακρύνετε τα υπερχειλισμένα φαγητά αμέσως με μια ξύστρα γυαλιού.
	Ακατάλληλα υλικά καθαρισμού	Χρησιμοποιείτε μόνο υλικά καθαρισμού, που είναι κατάλληλα για υαλοκεραμικό υλικό
Γρατσουνιές	Αλάτι, ζάχαρη και άμμος	Μη χρησιμοποιείτε το πεδίο μαγειρέματος ως επιφάνεια εναπόθεσης ή ως επιφάνεια εργασίας
	Οι τραχείς πάτοι κατσαρολών και τηγανιών δημιουργούν γρατσουνιές στο υαλοκεραμικό υλικό	Ελέγξτε το μαγειρικό σας σκεύος.
Αποχρώσεις	Ακατάλληλα υλικά καθαρισμού	Χρησιμοποιείτε μόνο υλικά καθαρισμού, που είναι κατάλληλα για υαλοκεραμικό υλικό
	Φθορά κατσαρόλας (π.χ. αλουμίνιο)	Σηκώνετε τις κατσαρόλες και τα τηγάνια όταν τα μετατοπίζετε.
Δημιουργία "αχιβάδων"	Ζάχαρη, φαγητά με μεγάλη περιεκτικότητα σε ζάχαρη	Απομακρύνετε τα υπερχειλισμένα φαγητά αμέσως με μια ξύστρα γυαλιού.

Προστασία περιβάλλοντος

Η νέα σας συσκευή είναι ιδιαίτερα ενεργειακά αποτελεσματική. Επιπλέον θα βρείτε συμβουλές, πως μπορείτε με τη συσκευή σας να εξοικονομήσετε ακόμα περισσότερη ενέργεια και πως πρέπει να την αποσύρετε σύμφωνα με τους κανόνες προστασίας του περιβάλλοντος.

Συμβουλές για την εξοικονόμηση ενέργειας

Προσέξτε παρακαλώ τις ακόλουθες συμβουλές για το μαγείρεμα με εξοικονόμηση ενέργειας:

- Τοποθετείτε πάντοτε ένα κατάλληλο καπάκι κατσαρόλας. Ο χρόνος μαγειρέματος μειώνεται σημαντικά.
- Χρησιμοποιείτε υψηλής ποιότητας μαγειρικά σκεύη με χοντρούς, επίπεδους πάτους. Οι ανεπίπεδοι πάτοι των κατσαρολών αυξάνουν την κατανάλωση ενέργειας.
- Επιλέγετε μαγειρικά σκεύη, που αντιστοιχούν στην ποσότητα των φαγητών που πρόκειται να παρασκευαστούν. Τα μεγάλα, αλλά μισοάδεια μαγειρικά σκεύη σπαταλούν πολύ ενέργεια.
- Η διάμετρος του μαγειρικού σκεύους πρέπει να αντιστοιχεί στο μέγεθος της ζώνης μαγειρέματος. Παρακαλώ προσέξτε: Τα στοιχεία του κατασκευαστή για τη διάμετρο της κατσαρόλας αναφέρονται συνήθως στην επάνω διάμετρο. Αυτή είναι κατά κανόνα μεγαλύτερη από τον πάτο της κατσαρόλας.
- Μαγειρεύετε με λίγο νερό. Αυτό εξοικονομεί ενέργεια, επιπλέον στα λαχανικά διατηρούνται καλύτερα οι βιταμίνες και οι ανόργανες ουσίες.
- Χρησιμοποιείτε την υπόλοιπη θερμότητα των ζωνών μαγειρέματος, για να διατηρείτε τα φαγητά ζεστά.

Απόσυρση σύμφωνα με τους κανόνες προστασίας του περιβάλλοντος

Αποσύρετε τη συσκευασία σύμφωνα με τους κανόνες προστασίας του περιβάλλοντος.



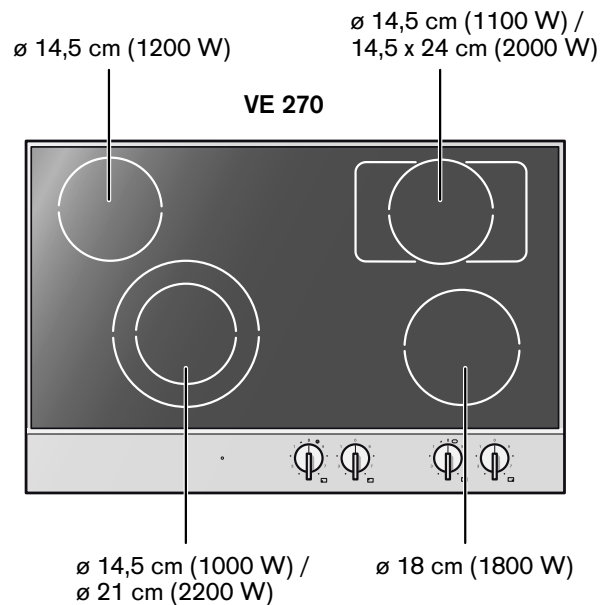
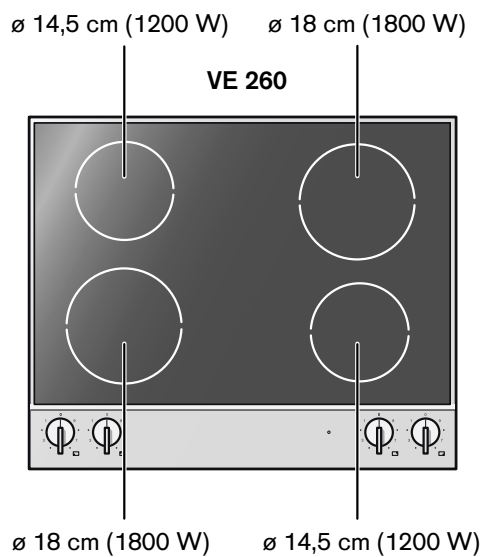
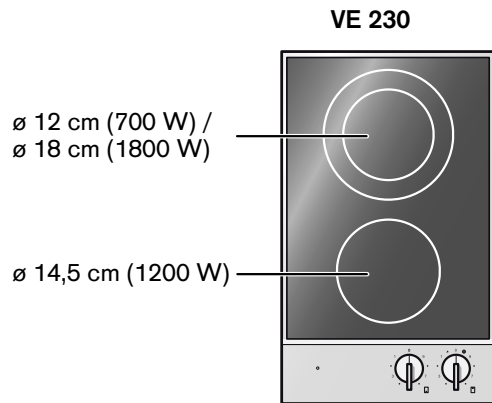
Αυτή η συσκευή χαρακτηρίζεται σύμφωνα με την ευρωπαϊκή οδηγία 2012/19/ΕΕ περί ηλεκτρικών και ηλεκτρονικών συσκευών (waste electrical and electronic equipment - WEEE).

Η οδηγία προκαθορίζει τα πλαίσια για μια απόσυρση και αξιοποίηση των παλιών συσκευών με ισχύ σ' όλη την ΕΕ.

Η καινούργια σας συσκευή

Εδώ θα γνωρίσετε την καινούργια σας συσκευή και θα βρείτε πληροφορίες για τα εξαρτήματα. Αυτές οι οδηγίες χρήσης ισχύουν για διάφορες βάσεις εστιών.

Κεραμική βάση εστιών



Ειδικός εξοπλισμός

Τα ακόλουθα εξαρτήματα μπορείτε να τα παραγγείλετε μέσω του ειδικού καταστήματος πώλησης:

VD 201 014	Καπάκι συσκευής από ανοξείδωτο χάλυβα (μόνο για VE 230)
VD 201 034	Καπάκι συσκευής από αλουμίνιο (μόνο για VE 230)
VV 200 014	Μπάρα σύνδεσης από ανοξείδωτο χάλυβα, για συνδυασμό με άλλες συσκευές Vario
VV 200 034	Μπάρα σύνδεσης από αλουμίνιο, για συνδυασμό με άλλες συσκευές Vario

Χρησιμοποιείτε τα εξαρτήματα μόνο, όπως αναφέρεται. Ο κατασκευαστής δεν ευθύνεται, όταν τα εξαρτήματα έχουν χρησιμοποιηθεί λάθος.

Χειρισμός

Τα μαρκαρίσματα στα κουμπιά χειρισμού σας δείχνουν τη θέση της εκάστοτε ζώνης μαγειρέματος και τις βαθμίδες ισχύος.

Ενεργοποίηση

Στρέψτε το αντίστοιχο κουμπί χειρισμού προς τα αριστερά ή προς τα δεξιά στην επιθυμητή βαθμίδα μαγειρέματος. Η λάμπα ελέγχου ανάβει, μόλις ενεργοποιηθεί μια ζώνη μαγειρέματος.

Υποδείξεις

- Στις ζώνες μαγειρέματος με πρόσθετη ενεργοποίηση μπορείτε να γυρίσετε το κουμπί χειρισμού για την ενεργοποίηση μόνο προς τα αριστερά.
- Η μονάδα ελέγχου της βάρσης εστιών ενεργοποιεί και απενεργοποιεί τις ζώνες μαγειρέματος κατά τη λειτουργία. Αυτό είναι κανονικό. Οι ζώνες μαγειρέματος θερμαίνουν πάντοτε με πλήρη ισχύ και ενεργοποιούνται ή απενεργοποιούνται, ανάλογα με τη ρυθμισμένη βαθμίδα μαγειρέματος, σε περισσότερο ή λιγότερο μεγάλα χρονικά διαστήματα.
- Ακόμα και στην υψηλότερη βαθμίδα μαγειρέματος ενεργοποιούνται και απενεργοποιούνται οι ζώνες μαγειρέματος κατά τη λειτουργία. Αυτό είναι κανονικό.

Απενεργοποίηση

Στρέψτε το αντίστοιχο κουμπί χειρισμού στη θέση 0. Η ένδειξη υπόλοιπης θερμότητας ανάβει, όσο η ζώνη μαγειρέματος είναι πολύ καυτή, για να την ακουμπήσετε χωρίς κίνδυνο.

Υπόδειξη: Στις ζώνες μαγειρέματος με πρόσθετη ενεργοποίηση δεν μπορείτε να γυρίσετε το κουμπί χειρισμού από τη θέση πρόσθετης ενεργοποίησης απευθείας προς τα αριστερά στη θέση 0.

Πρόσθετη ενεργοποίηση

Μόνο στις ζώνες μαγειρέματος, οι οποίες διαθέτουν μια πρόσθετη ενεργοποίηση: Το μέγεθος της ζώνης μαγειρέματος μπορεί να διευρυνθεί με την πρόσθετη ενεργοποίηση.

Για να ενεργοποιήσετε την πρόσθετη ενεργοποίηση, γυρίστε το κουμπί χειρισμού προς τα αριστερά πέρα από τη βαθμίδα 9 στη θέση της πρόσθετης ενεργοποίησης και στη συνέχεια πίσω στην επιθυμητή βαθμίδα μαγειρέματος.

Για την απενεργοποίηση γυρίστε το κουμπί χειρισμού στη θέση 0. Κατά την επαναλειτουργία η πρόσθετη ενεργοποίηση είναι απενεργοποιημένη και πρέπει, όταν χρειάζεται, να ενεργοποιηθεί ξανά.

Υπόδειξη: Το κουμπί χειρισμού δεν μπορεί από τη θέση της πρόσθετης ενεργοποίησης να γυρίσει απευθείας προς τα αριστερά στη θέση 0.

Ένδειξη υπόλοιπης θερμότητας

Για την ασφάλειά σας η βάση εστιών είναι εξοπλισμένη με μια ξεχωριστή ένδειξη υπόλοιπης θερμότητας. Η ένδειξη ανάβει ως μια κόκκινη κουκίδα για κάθε ζώνη μαγειρέματος ξεχωριστά.

Όταν η ένδειξη υπόλοιπης θερμότητας ανάβει, η εκάστοτε ζώνη μαγειρέματος είναι πολύ καυτή, για να την ακουμπήσετε χωρίς κίνδυνο.

Πίνακας ρύθμισης

Περιοχή ρυθμίσεων	Διαδικασία μαγειρέματος	Παραδείγματα
9	Βράσιμο	Νερό
	Σοτάρισμα	Κρέας
	Ζέσταμα	Λίπος, υγρά
	Ανάβρασμα	Σούπες, σάλτσες
	Ζεμάτισμα	Λαχανικά
8 - 6	Ψήσιμο	Κρέας, ψάρι, πατάτες
7 - 5	Ελαφρό καβούρντισμα	Αλεύρι, κρεμμύδια
	Καβούρντισμα	Αμύγδαλα, τριμμένη φρυγανιά
	Τηγάνισμα	Κρέπες, φαγητά με αυγά
	Συνέχιση μαγειρέματος σε ανοιχτό σκεύος	Υγρά
6 - 5	Λιώσιμο	Μπέικον
	Πήξιμο	Ζωμοί, σάλτσες
5 - 4	Κτύπημα	Κρέμες, σάλτσες
	Σιγανό μαγείρεμα σε ανοιχτό σκεύος	Γιουβαρλάκια, βραστά λαχανικά, υλικά σούπας, κρέας σούπας, βραστά αυγά χωρίς το τσόφλι
5 - 3	Συνέχιση μαγειρέματος με κλειστό καπάκι	Ζυμαρικά, σούπες, σάλτσες
	Μαγείρεμα με ατμό	Λαχανικά, πατάτες, ψάρι
	Τσιγάρισμα	Λαχανικά, φρούτα, ψάρι
	Μαγείρεμα σε κλειστή κατσαρόλα	Γκούλας, ρολά κρέατος, ψητό, λαχανικά
	Ξεπάγωμα	Κατεψυγμένα τρόφιμα
3 - 1	Φούσκωμα	Ρύζι, όσπρια
	Ζέσταμα, διατήρηση του φαγητού ζεστού	Σούπες, τουρλού, λαχανικά σε σάλτσα
	Λιώσιμο	Βούτυρο, σοκολάτα
	Πήξιμο	Φαγητά με αυγά

Ρυθμίστε στην υψηλότερη βαθμίδα μαγειρέματος, για να φθάσετε γρήγορα στην επιθυμητή θερμοκρασία. Στη συνέχεια επανέλθετε στην επιθυμητή χαμηλότερη βαθμίδα μαγειρέματος.

Οι περιοχές ρύθμισης είναι σε όλες τις ζώνες μαγειρέματος οι ίδιες.

Οι τιμές του πίνακα ρύθμισης χρησιμεύουν μόνο ως ενδεικτικές τιμές, επειδή ανάλογα με το είδος και την κατάσταση των τροφίμων καθώς επίσης και ανάλογα με το μέγεθος και την πλήρωση της κατσαρόλας είναι απαραίτητη περισσότερη ή λιγότερη θερμότητα.

Φροντίδα και καθαρισμός

Σε αυτό το κεφάλαιο θα βρείτε συμβουλές και υποδείξεις για την ιδανική φροντίδα και το σωστό καθαρισμό της συσκευής σας.

Κίνδυνος εγκαύματος!

Η συσκευή θερμαίνεται πολύ κατά τη διάρκεια της λειτουργίας. Πριν τον καθαρισμό αφήστε τη συσκευή να κρυώσει.

Κίνδυνος ηλεκτροπληξίας!

Μια εισχώρηση υγρασίας μπορεί να προκαλέσει μια ηλεκτροπληξία. Μη χρησιμοποιείτε συσκευές καθαρισμού υψηλής πίεσης ή συσκευές εκτόξευσης ατμού.

Καθαρισμός της συσκευής

Καθαρίζετε τη συσκευή μετά από κάθε χρήση, αφού πρώτα έχει κρυώσει. Απομακρύνετε τα ξεχειλισμένα υγρά αμέσως, μην αφήσετε να καούν καθόλου υπολείμματα φαγητού.

Μέρος συσκευής/ εξωτερική επιφάνεια

Κεραμική επιφάνεια

Απλώστε και τρίψτε το καθαριστικό κεραμικής επιφάνειας με ένα μαλακό και υγρό πανί, στη συνέχεια σκουπίστε την κεραμική επιφάνεια εντελώς μ' ένα υγρό πανί. Τρίψτε την καθαρή επιφάνεια, για να στεγνώσει, μ' ένα μαλακό πανί και γυαλίστε την.

Στα ειδικά καταστήματα πώλησης ή στο Online Shop της εταιρείας μας μπορείτε να προμηθευτείτε ένα κατάλληλο καθαριστικό κεραμικής επιφάνειας (αριθμός παραγγελίας 00311499).

Απομακρύνετε την καμένη ρύπανση αμέσως με την ξύστρα γυαλιού (αριθμός παραγγελίας 00087670). Για τον καθαρισμό χρησιμοποιείτε την ξύστρα γυαλιού με μικρή γωνία.

Κονσόλα χειρισμού

Καθαρίζετε τα κουμπιά χειρισμού μ' ένα μαλακό, υγρό πανί και λίγο απορρυπαντικό πιάτων. Το πανί δεν επιτρέπεται να είναι πολύ υγρό. Στεγνώστε με ένα μαλακό πανί.

Απομακρύνετε αμέσως τα εμπεριέχοντα οξέα τρόφιμα που έχουν πέσει πάνω στην κονσόλα χειρισμού (π.χ. ξίδι, κετσάπ, μουστάρδα, μαρινάδες).

Για τη φροντίδα της κονσόλας χειρισμού μπορείτε να προμηθευτείτε στα ειδικά καταστήματα πώλησης ή στο Online Shop της εταιρείας μας ένα κατάλληλο λάδι περιποίησης (αριθμός παραγγελίας 00311135). Μετά τον καθαρισμό απλώστε το λάδι περιποίησης με ένα μαλακό πανί ομοιόμορφα πάνω στην κονσόλα χειρισμού.

Μη χρησιμοποιείτε την ξύστρα γυαλιού και το καθαριστικό καθαριστικό κεραμικής επιφάνειας πάνω στην κονσόλα χειρισμού.

Κουμπιά χειρισμού

Καθαρίζετε τα κουμπιά χειρισμού μ' ένα μαλακό, υγρό πανί και λίγο απορρυπαντικό πιάτων. Το πανί δεν επιτρέπεται να είναι πολύ υγρό.

Μη χρησιμοποιείτε τα ακόλουθα μέσα καθαρισμού

- Διαβρωτικά ή δυνατά καθαριστικά
- Καθαριστικά που εμπεριέχουν οξέα (π.χ. ξίδι, κιτρικό οξύ, κτλ.)
- Καθαριστικά που εμπεριέχουν χλώριο ή μεγάλη αναλογία αλκοόλης
- Σπρέι καθαρισμού φούρνων
- Σκληρά ή τραχιά σφουγγάρια, σκληρές βούρτσες
- Πριν τη χρήση πλένετε καλά τα νέα σφουγγάρια

Σέρβις πελατών

Εάν η συσκευή σας πρέπει να επισκευαστεί, βρίσκεται στη διάθεσή σας η υπηρεσία τεχνικής εξυπηρέτησης των πελατών μας. Εμείς βρίσκουμε πάντοτε μια κατάλληλη λύση, επίσης και για την αποφυγή των περιττών επισκέψεων του τεχνικού.

Αναφέρετε στο τηλεφώνημα τον αριθμό προϊόντος (Αριθ. E) και τον αριθμό κατασκευής (Αριθ. FD), για να μπορούμε να σας βοηθήσουμε σωστά. Την πινακίδα τύπου με τους αριθμούς θα την βρείτε στην κάτω μεριά της συσκευής. Για να μην ψάχνετε πολύ σε περίπτωση που χρειαστεί, μπορείτε να καταχωρήσετε εδώ τα στοιχεία της συσκευής σας και τον αριθμό τηλεφώνου του σέρβις πελατών.

E-Nr.

FD-Nr.

Σέρβις πελατών 

Προσέξτε, ότι η επίσκεψη του τεχνικού του σέρβις πελατών, σε περίπτωση ενός εσφαλμένου χειρισμού, ακόμα και κατά τη διάρκεια της εγγύησης, δεν είναι δωρεάν.

Τα στοιχεία επικοινωνίας όλων των χωρών θα τα βρείτε στον πίνακα Υπηρεσίες τεχνικής εξυπηρέτησης πελατών που παραδίδεται μαζί.

Εντολή επισκευής και συμβουλές σε περίπτωση βλάβης

GR 18 182

Αστική χρέωση

Εμπιστευτείτε την εμπειρία του κατασκευαστή. Έτσι εξασφαλίζετε, ότι η επισκευή γίνεται από εκπαιδευμένους τεχνικούς του σέρβις, που είναι εξοπλισμένοι με τα γνήσια ανταλλακτικά για τη δική σας οικιακή συσκευή.

Gaggenau Hausgeräte GmbH
Carl-Wery-Straße 34
D-81739 München
www.gaggenau.com

GAGGENAU



9000513574 en, es, pt, el (950609)