

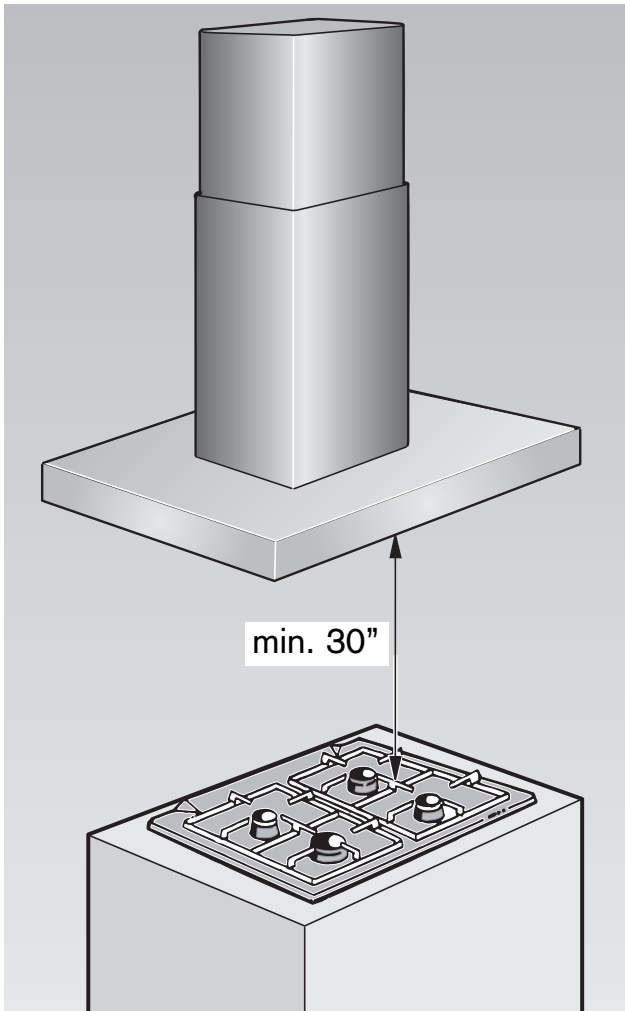
Gaggenau

en Operating and installation instructions
fr Mode d'emploi et notice de montage
es Instrucciones de uso y de montaje

AI 400720

en	page	3 – 19
fr	page	20 – 36
es	página	37 – 53

Fig. 1
GAZ



ELECTRO

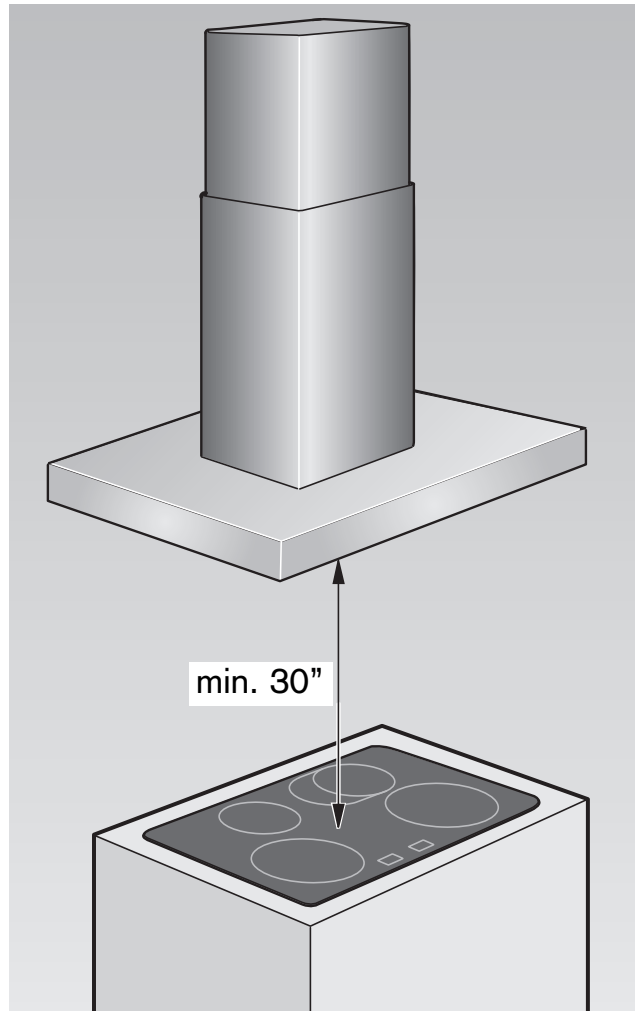


Table of contents

Operating instructions

General Information	4
Information on protection of the environment	4
Before using the appliance for the first time	4
Safety Instructions	5
Intended use	5
Technical safety	6
Special information for gas cookers	7
Correct installation	8
Operating modes	9
Exhaust-air mode	9
Circulating-air mode	9
Operating procedure	10
Cleaning and care	12
Removing and installing the grease filters	13
Removing and installing the metal-mesh grease filters	13
Installing and removing the activated carbon filters	13
Changing the bulbs	14

Installation instructions

Installation instructions	15
Connecting pipes	15
Electrical Connections	16
Installation	17
Installation preparations	17
Attachment	18
Installing the flue ducts	19

General Information

Information on protection of the environment

Disposal of transport packaging

Your new appliance was sent to you in protective packaging. All utilised materials are environmentally safe and recyclable. Please help us by disposing of the packaging in an environmentally friendly manner.

RISK OF INJURY

Packaging parts can be hazardous for children. Therefore keep them outside the reach of children.

Disposal of the old appliance

Old appliances are not worthless rubbish. Valuable raw materials can be reclaimed by recycling old appliances.

Before disposing of your old appliance, render it unusable.

Never treat your old appliance as non-recyclable waste!

Please ask your dealer or inquire at your local authority about current means of disposal.

Ensure that the old appliance is kept childproof until it is disposed of.

Before using the appliance for the first time

Note: These operating instructions apply to several appliance models. It is possible that individual features are described which do not apply to your appliance.

Before switching on your new appliance, please read the operating instructions carefully. They contain important information on safety and how to use and look after the appliance.

Keep the operating and instructions in a safe place and pass them on to any subsequent owner of the appliance.

Faults

If an **F** appears in the display:

- See "Operating procedure" Section.

If it is not possible to operate the extractor hood:

- Disconnect the extractor hood from the mains electricity supply by pulling out the plug or switching it off at the main fuse box. Wait for approx. 1 minute and then switch it on again.

Please contact customer service regarding any queries or faults.

(See list of customer service centres).

When calling, please quote:

E-no.	FD
-------	----

The numbers can be found on the rating plate, after removal of the grease filter, inside the extractor hood.

Enter the numbers in the above fields.



Important Safety Instructions

– Use and Care

READ AND SAVE THESE INSTRUCTIONS

WARNING – TO REDUCE THE RISK OF A RANGE TOP GREASE FIRE.

- a) Never leave surface units unattended at high settings. Boilovers cause smoking and greasy spillovers that may ignite. Heat oils slowly on low or medium settings.
- b) Always turn hood ON when cooking at high heat.
- c) Clean ventilating fans frequently. Grease should not be allowed to accumulate on fan or filter.
- d) Use proper pan size. Always use cookware appropriate for the size of the surface element.

Do not flambé under the extractor hood or work with a naked flame. When switched on, the extractor hood draws flames into the filter.

In the event that personal clothing or hair catches fire, drop and roll immediately to extinguish flames.

Smother flames from food fires other than grease fires with baking soda.

Never use water on cooking fires.

CAUTION: Grease left on filters can remelt and move into the vent.

Always have a working smoke detector near the kitchen.

WARNING – TO REDUCE THE RISK OF INJURY TO PERSONS IN THE EVENT OF A COOKTOP GREASE FIRE, OBSERVE THE FOLLOWING:

- a) **SMOTHER FLAMES** with a closefitting lid, cookie sheet, or metal tray, then turn off the burner. **BE CAREFUL TO PREVENT BURNS.** If the flames do not go out immediately, **EVACUATE AND CALL THE FIRE DEPARTMENT.**
- b) **NEVER PICK UP A FLAMING PAN.** You may be burned.
- c) **DO NOT USE WATER**, including wet dish cloths or towels. A violent steam explosion will result.
- d) Use an extinguisher **ONLY** if:
 - 1) You know you have a Class ABC extinguisher, and you already know how to operate it.
 - 2) The fire is small and contained in the area where it started.
 - 3) The fire department is being called.
 - 4) You can fight the fire with your back to an exit.

WARNING – Whenever possible, do not operate blower during a cooktop fire. However, do not reach through fire to turn off blower.

When children become old enough to use the appliance, it is the legal responsibility of the parents or legal guardians to ensure that they are instructed in safe practices by qualified persons.

Do not allow children to use this appliance unless closely supervised by an adult.

Children and pets should not be left alone or unattended in the area where the appliance is in use. They should never be allowed to play in its vicinity, whether or not the appliance is in use.

CAUTION – Items of interest to children should not be stored in an appliance, in cabinets above an appliance or on the backsplash. Children climbing on an appliance to reach items could be seriously injured.

Do not allow anyone to climb, stand, lean, sit, or hang on any part of an appliance, especially a door, warming drawer, or storage drawer. This can damage the appliance, and the unit may tip over, potentially causing severe injury.

WARNING – Be sure the entire appliance (including the grease filters and light bulbs, if applicable) has cooled and grease has solidified before attempting to clean any part of the appliance.

Have the installer show you the location of the circuit breaker or fuse. Mark it for easy reference.

CAUTION – Turn power off at breaker before removing a damaged bulb. Do not touch the bulbs immediately after use.

The bulbs will remain hot for several minutes.

WARNING – Make sure the appliance and lights are cool and power to the appliance has been turned off before replacing the light bulb(s). Failure to do so could result in electrical shock or burns.

The lenses (if equipped) must be in place when using the appliance.

The lenses (if equipped) serve to protect the light bulb from breaking.

The lenses (if equipped) are made of glass. Handle carefully to avoid breaking.

Broken glass can cause an injury.

This appliance must be properly installed and grounded by a qualified technician. Connect only to properly grounded outlet. Refer to Installation Instructions for details.

This appliance is intended for normal family household use only. It is not approved for outdoor use. See the Warranty. If you have any questions, contact the manufacturer.

CAUTION – FOR GENERAL VENTILATION USE ONLY. DO NOT USE TO EXHAUST HAZARDOUS OR EXPLOSIVE MATERIALS AND VAPORS.

Do not store or use corrosive chemicals, vapors, flammables or nonfood products in or near this appliance. It is specifically designed for use when heating or cooking food. The use of corrosive chemicals in heating or cleaning will damage the appliance and could result in injury.

Do not operate this appliance if it is not working properly, or if it has been damaged. Contact an authorized servicer.

Do not repair or replace any part of the appliance unless specifically recommended in this manual. Refer all servicing to a factory authorized service center.

Technical safety

- The extractor hood left the factory in perfect condition. Nevertheless check the appliance for visible damage before installation. If it is damaged, do not switch it on!
- If the power cord of the extractor hood is damaged, it must be replaced by the manufacturer, his customer service or a similarly qualified person to prevent hazardous situations.
- Only a qualified technician may install (including electrical connection), service or repair the extractor hood. Always isolate the extractor hood by pulling out the mains plug or switching off the fuse!

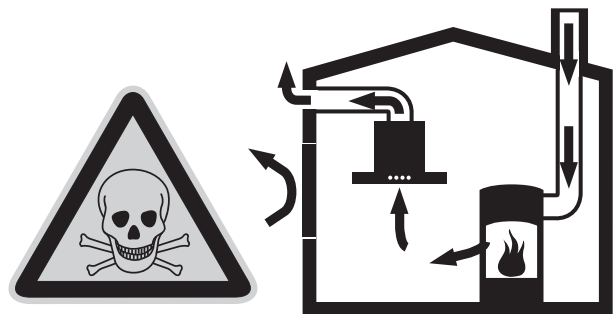
- If the appliance is improperly installed, serviced or repaired, the user may be placed in considerable danger for which the manufacturer is not liable.
- Changes to the electrical or mechanical installation are dangerous and must not be undertaken! They may also cause the extractor hood to malfunction.

Simultaneous operation of the extractor hood with a heating appliance which is dependent on ambient air

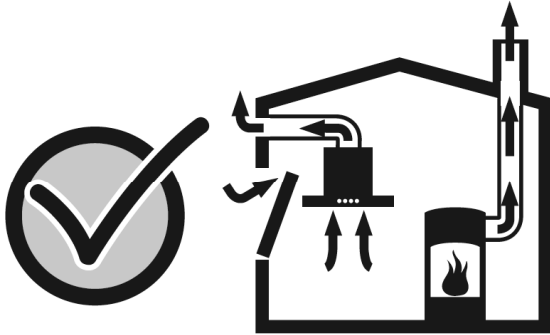
- Heating appliances which are dependent on ambient air, e.g. gas, oil, wood, or solid-fuel heaters, instantaneous water heaters, hot water boilers, hobs or ovens, and which draw combustion air out of the installation room and whose exhaust gases are conveyed to the exterior by a flue.

⚠ RISK OF POISONING

If the extractor hood is operated at the same time as a heating appliance which is dependent on ambient air, there is a risk of poisoning due to combustion gases being drawn back in.



- Safe operation is possible provided the low pressure in the installation room of the heating appliance does not exceed 4Pa (0.04mbar). This can be achieved if the combustion air can flow through non-closable openings, e.g. in doors, windows, in conjunction with air intake/exhaust air wall boxes or by other technical measures.



- Adequate intake air must therefore always be provided.
- An intake/exhaust air wall box alone does not ensure compliance with the limit value.

Note: When making your evaluation, always consider the entire ventilation system in the home. Include the advice of a competent heating engineer when making your evaluation.

- If the extractor hood is used in circulating air mode only, it can be operated without any restrictions.

Special information for gas cookers

- When installing the extractor hood above gas hobs, observe the appropriate national statutory regulations.
- Observe the currently valid installation regulations and instructions of the gas appliance manufacturer.
- During installation, ensure that only one side of the extractor hood is situated directly next to a high-sided unit or a wall. Otherwise, there is a risk of heat build-up. The gap between the extractor hood and the wall or high-sided unit must be at least 1 ⁵/₁₆".

RISK OF BURNS

Do not operate more than 2 gas cooking areas simultaneously over a period of max. 15 minutes at maximum thermal load. Due to the effect of the heat there is a risk of burns if the surfaces of the housing are touched!

- Note that one large burner of more than 5 kW (Wok) is equivalent to the power of 2 gas burners.
- The extractor hood may be damaged by the intense heat.
- Never operate a gas cooking area without a cooking utensil on it. Regulate the flame in such a way that it does not project over the cooking utensil.

RISK OF FIRE

Do not flambé under the extractor hood or work with a naked flame. When switched on, the extractor hood draws flames into the filter. There is a risk of fire due to deposits on the grease filter!

- Do not leave pans, frying pans or deep-fat fryers unattended if you are cooking food with oils or fats, e.g. chips. Overheated oils or fats can easily ignite!
- A risk of fire can be prevented by cleaning the grease filters regularly and changing the activated-carbon filter in good time.
- Never operate the extractor hood without grease filters.

Correct installation

- Check the manufacturer's specifications for the cooker to determine whether an extractor hood can be operated or not.
- If the manufacturer of the cooker has not specified any significant safety distances, the following minimum distances apply
 - **30"** between electric hob and the lower edge of the extractor hood, Fig. 1.
 - **30"** between gas hob (upper edge of pan support) and the lower edge of the extractor hood, Fig. 1.
- If various cookers are used, the greatest indicated distance applies.
- The width of the extractor hood must correspond to the width of the cooking area.
- The extractor hood must not be installed over a solid fuel heating appliance which may be a fire risk (e.g. flying sparks) unless the heating appliance has a closed, non-detachable cover and the country-specific regulations are observed. This restriction does not apply to gas cookers and gas hobs.
- To avoid damaging the hob, cover it when installing the extractor hood.

Operating modes

- The extractor hood can be used in exhaust air and circulating air mode. The standard setting is exhaust air mode.

Exhaust-air mode

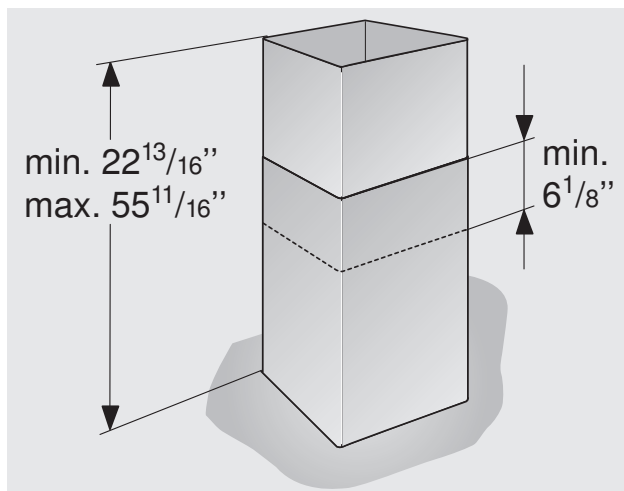
Installation accessories for exhaust air mode

Stainless steel-design ventilation duct:
AD 010-016 for ceiling heights of $87 \frac{13}{16}$ "- $94 \frac{7}{8}$ "
AD 010-026 for ceiling heights of $94 \frac{7}{8}$ "- $107 \frac{1}{2}$ "
AD 010-036 for ceiling heights of $107 \frac{1}{2}$ "- $117 \frac{11}{16}$ ".



The air which is drawn in is cleaned by the grease filters and conveyed to the exterior by a pipe system.

Appliance dimensions Exhaust air



Circulating-air mode

Installation accessories for circulating air mode

Stainless steel-design ventilation duct:
AD 010-126 for ceiling heights of $94 \frac{7}{8}$ "- $107 \frac{1}{2}$ "
AD 010-136 for ceiling heights of $107 \frac{1}{2}$ "- $117 \frac{11}{16}$ ".



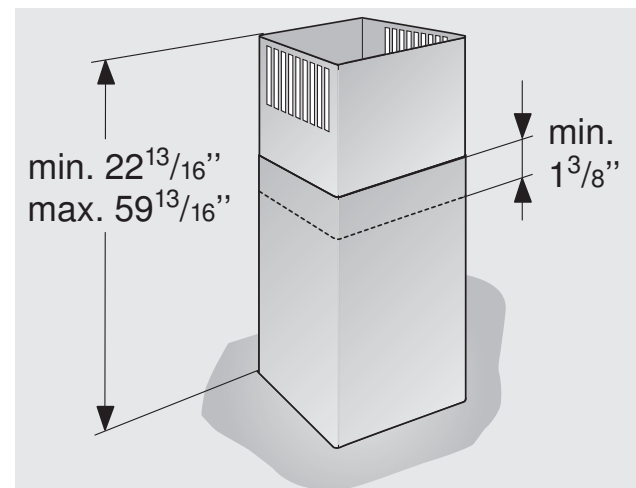
The air which is drawn in is cleaned by the grease filters **and** an activated carbon filter and conveyed back into the kitchen.

An activated carbon filter must be installed to bind odours in circulating-air mode (see "Removing and installing the grease filters").

The complete installation set as well as the replacement filters are available from specialist outlets, customer service or the Online Shop. The accessory number can be found at the end of the operating instructions.

The socket must be attached at least $6 \frac{11}{16}$ " below the ceiling.

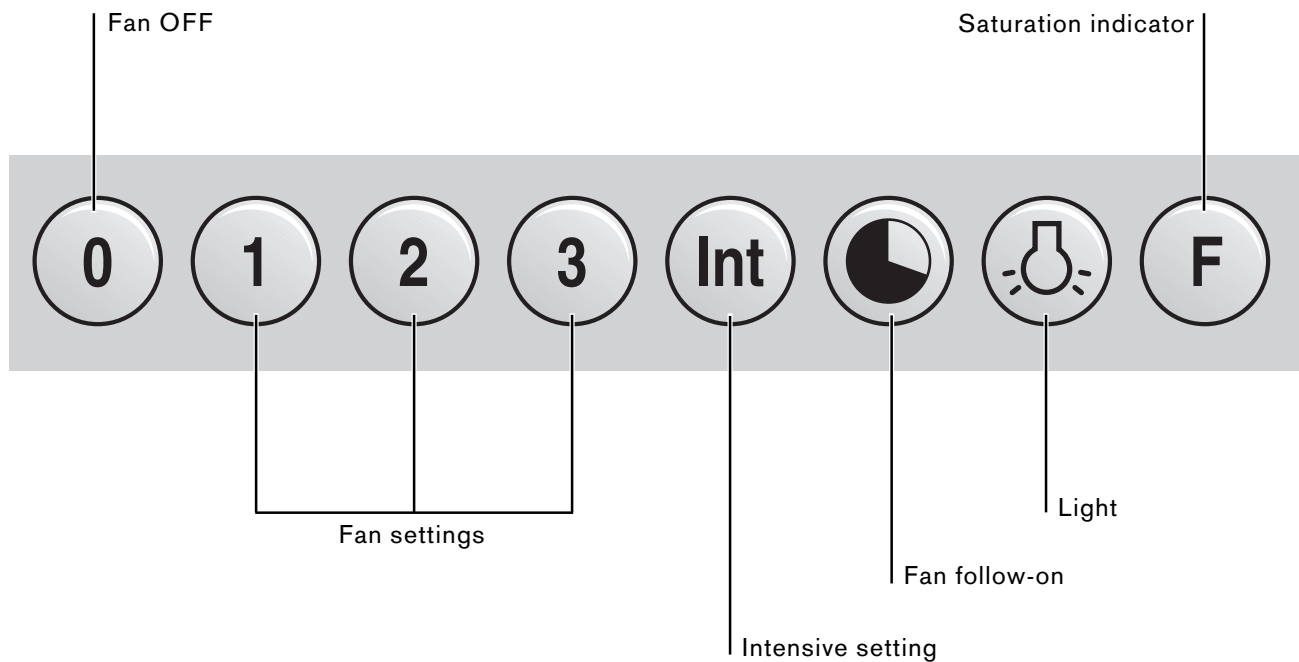
Appliance dimensions Circulating air



Operating procedure

The most effective method of removing vapours produced during cooking is to:

- **Switch the ventilator ON** as soon as you begin cooking.
- **Switch the ventilator OFF** a few minutes after you have finished cooking.



Switching the fan ON:

- Press the **1**, **2**, **3** or **Int** button.

Switching the fan OFF:

- Press the **0** button.

Intensive setting

Maximum power is obtained at the intensive setting. It is only required for short intervals.

- The **Int** key for the intensive level should be pressed when browning and frying in an open pan.


If you have switched on the hood by selecting the intensive level, it will be switched off again automatically after 5 minutes.
- If you press the **Int** key while the hood is running at fan level **1**, **2** or **3**, the electronic control will switch back automatically to the previously selected fan level after 5 minutes.
- If you would like to end the intensive level **before** the five minutes have elapsed, press the **0** key ("Motor off") or select a different level. It is possible to switch off the extraction function at any time by pressing the **0** key (motor "off").

Special functions

Intensive time:


- You can set the intensive level running time to 3, 5 or 10 minutes by simultaneously pressing the **Int** key and the **1**, **2** or **3** key and you can store this setting. When delivered, the appliance is set to five minutes, i.e. the combination of the **Int** key and the key **2**.

Fan follow-on:

- Delayed shut-off is possible at any level. First press the required key **1**, **2**, **3** or **Int** and then press the  key. The delayed shut-off time for all levels is ten minutes. After these ten minutes, the ventilation switches off, but the lighting stays on.



Interval ventilation:

- Interval ventilation is a special feature of this appliance which periodically activates the fan for five minutes every hour. You can activate this function by simultaneously pressing the **0** key and, depending on the required extraction capacity, the **1**, **2** or **3** key.

This mode of operation is indicated by alternating illumination of the  key together with the corresponding fan level indicator.

You can switch off interval ventilation by pressing the **0** key.

Lighting:

- Briefly press the  button to switch the light on and off.
- The light can be switched on at any time, even though the fan is switched off.
- **Adjusting the brightness:**
Hold down the  button until the desired brightness is obtained.

Saturation indicator: F

- The grease filter saturation display **F** flashes after an operating time of 30 hours to indicate that you should clean the grease filter. The grease filters can of course be cleaned at any time, even if the grease filter saturation display has not started to flash.
- To cancel the display, press the **F** button.

Cleaning and care

RISK OF INJURY

Suitable cleaning agents and care products for your appliance can be purchased via the Hotline or from the Online Shop (see cover page).

Appliance surfaces

Note: Observe the warranty regulations in the enclosed service booklet.

- The appliance surfaces and controls are scratch-sensitive. Therefore observe the following cleaning instructions:
 - Avoid cleaning the extractor hood with dry cloths, abrasive sponges, scouring agents, cleaning agents containing sand, soda, acid, chlorine or any other aggressive substances.
 - Clean the appliance surfaces and controls with a soft, damp cloth, washing-up liquid or a mild window cleaner only.
 - Do not scrape off dried dirt, but moisten with a damp cloth.
 - Clean carefully in the area of the controls to avoid liquid from getting into the electronics.

Note: Clean the stainless steel surfaces in the direction of the ground surface only!
Do not use stainless steel cleaner for the control buttons!

Looking after the appliance

- Suitable cleaning agents and care products for your appliance can be purchased via the Hotline or from the Online Shop (see cover page).

Metal-mesh grease filters

- The metal-mesh grease filters absorb the grease particles from the kitchen fumes.
- The filter mats consist of fire-proof metal.

RISK OF FIRE

As the filters become more saturated with greasy residue, the flammability increases. The function of the extractor hood may also be impaired.

- The risk of fire is prevented by cleaning the metal-mesh grease filters in good time.
- When cleaning the grease filters, also remove grease deposits from the accessible parts of the housing with a damp cloth.

Cleaning the metal-mesh grease filters ...

- Under normal operation (daily 1 to 2 hours), the metal-mesh grease filters must be cleaned 1x month.

... in the dishwasher

- The metal-mesh grease filters can be cleaned in the dishwasher. Slight discolouration may occur but this will not affect the function of the grease filters.
- The filters must be placed loosely in the dishwasher. They must not be wedged in.

Note: Do not clean heavily saturated metal-mesh grease filters together with utensils.

... by hand

- When cleaning by hand, soak the grease filters in a hot detergent solution, brush off the dirt, rinse thoroughly and leave to dry.
- Do not use any aggressive, acidic or alkaline cleaning agents.
- If dirt is particularly stubborn, we recommend using a special grease solvent spray. This can be ordered via the Online Shop.

Removing and installing the grease filter

Cleaning the glass plates

- Apply commercially available window cleaning agent with a soft, moist cloth.
- To facilitate cleaning, you can detach the glass plates as follows:
Detach the grease filters. In the extractor hood, you will find three openings on the upper side through which you can lift the glass plates singly with a blunt object (e.g. handle of a wooden spoon) to detach them with greater ease.
- If they are extremely soiled, the glass plates can be cleaned in a dishwasher at a maximum temperature of 131 °F.

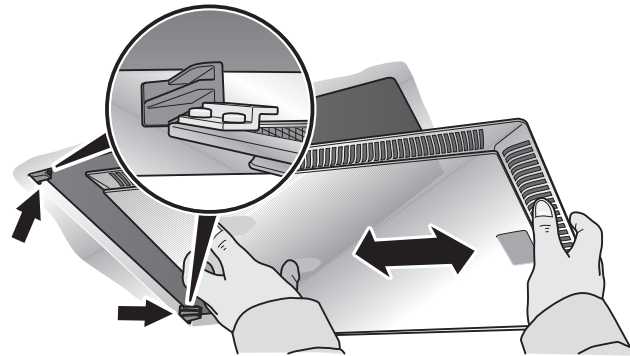
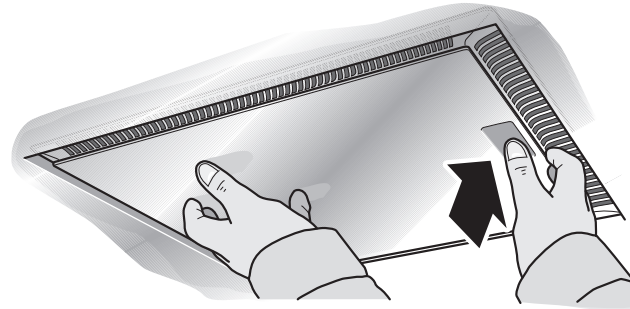
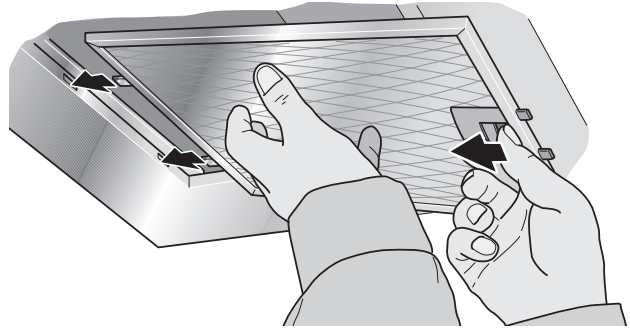
Note: when putting the glass plates back in place, make sure that you do not scratch the chimney. Replace the glass plates with the printed side facing down. Position the glass plates at the chimney side first.

RISK OF INJURY

Before removing and installing the grease filters, always follow the instructions and warnings in the chapter entitled "Safety instructions"!

Removing and installing the metal-mesh grease filters

- 1 Open the lock and fold down the grease filters. In doing so, hold the underside of the grease filters with your other hand.



(for appliances with edge extraction)

- 2 Clean the grease filters.
- 3 Reinsert the cleaned grease filters.

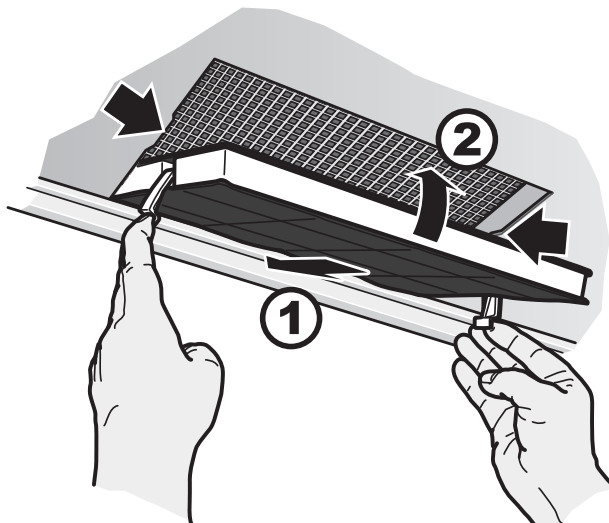
Changing the bulbs

Activated carbon filter

- Activated carbon filters bind the odours in circulating-air mode.
- Under normal operation (daily 1 to 2 hours) the activated carbon filters must be replaced approximately 2x year.
- The activated carbon filter is available from specialist outlets, customer service or the Online Shop (see Optional accessories). Use original filters only.
- Activated carbon filters do not contain any pollutants. They can be disposed of in the household refuse.

Installing and removing the activated carbon filters

- 1 Remove the grease filters (see Removing and installing the metal-mesh grease filters).



- 2 Insert the activated carbon filter.
- 3 Lock the catch.
- 4 Reinsert the grease filters (see Removing and installing the metal-mesh grease filters).

- Before changing the bulbs, always follow the instructions and warnings in the chapter entitled "Safety instructions"!
- The description of changing the bulbs applies to several appliance models.

Note: Observe the warranty regulations in the enclosed service booklet.

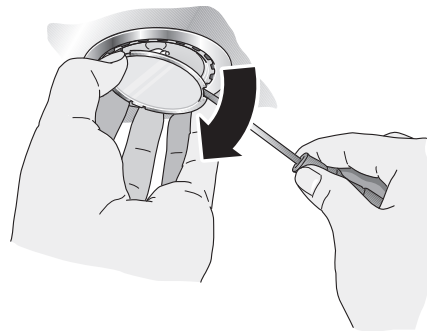
Changing the halogen bulbs

RISK OF INJURY

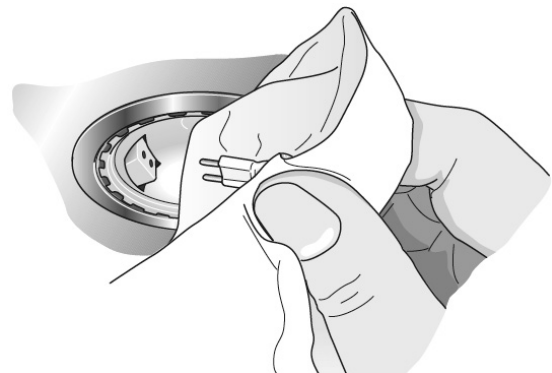
Halogen bulbs become very hot during operation. Even some time after the appliance has been switched off, there is still a risk of burns!

- Defective bulbs should be replaced immediately to avoid overloading the remaining bulbs.
- Before changing the halogen bulbs, ensure that they have cooled down fully.

- 1 Carefully remove the bulb ring with a suitable tool.



- 2 Replace the defective bulb with a new one of the same type and equivalent power (see rating plate).



Note: When inserting halogen bulbs, do not touch the glass tube. Therefore use a clean cloth when inserting the bulb.

- 3 Reinsert the bulb cover.
- 4 Restore the power supply by inserting the mains plug or switching on the fuse.

Installation instructions

- Prior to installation, always follow the instructions and warnings in the chapter entitled "Safety instructions"!

Exhaust-air mode

- The exhaust air is conveyed upwards via a ventilation shaft or directly through the outer wall to the exterior.

Note: The exhaust air must not be conveyed into a functioning smoke or exhaust gas flue or into a shaft which is used to ventilate installation rooms which contain heating appliances.

- Before conveying the exhaust air into a non-functioning smoke or exhaust gas flue, obtain the consent of the appropriate heating engineer.
- Discharge exhaust air in accordance with the official and statutory regulations (e.g. regional building laws).
- If the exhaust air is conveyed through the outer wall, a telescopic wall box should be used.

To ensure optimum performance, the extractor hood requires:

- a short, straight exhaust air pipe and
- the largest possible pipe diameter.
- If pipe bends cannot be avoided, ensure the largest possible radii.

Note: If long, rough exhaust air pipes, a lot of pipe bends or pipe diameters less than 5 7/8" are used, the air capacity will be less than optimum and there will be an increase in noise.

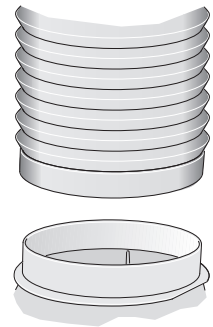
- Use only pipes or hoses made of non-combustible material for installation of the exhaust air duct.
- The manufacturer of the extractor hoods is not responsible for complaints which can be attributed to planning and design of the pipework.

Connecting pipes

- The diameter of the exhaust air pipes should not be less than 5 7/8".
- **Round pipes:**
We recommend an inner diameter of 5 7/8", however at least 4 3/4".
- **Flat ducts** must have the same inner cross-section as round pipes.
There should be no sharp bends.
Ø 5 7/8" approx. 177 cm²
Ø 4 3/4" approx. 17 3/4" square inch
- **If pipe diameters differ:**
Use sealing strips.

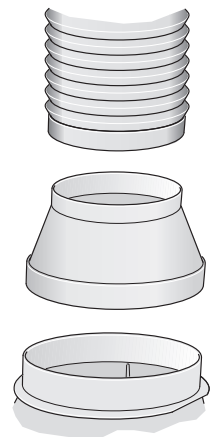
Connection of 5 7/8" ø exhaust air pipe (recommended size)

- Attach exhaust air pipe directly to the air-pipe connector and seal appropriately. If using an aluminium pipe, smooth the connection area beforehand.



Connection of 4 3/4" ø exhaust air pipe

- Attach reducing connector directly to the air-pipe connector.
- Attach exhaust air pipe to the reducing connector.
- Seal both joints appropriately.



Electrical connection

- Before connecting the appliance to the power supply, always follow the instructions and warnings in the chapter entitled "Safety instructions"!
- The extractor hood may only be connected by a qualified electrician who is familiar with the regulations of the relevant electricity supply company.

RISK OF INJURY

- If the power cord of the extractor hood is damaged, it must be replaced by the manufacturer, his customer service or a similarly qualified person to prevent hazardous situations.
- The extractor hood may be connected to a correctly installed earthed socket only.
- Attach the earthed socket as directly as possible behind the flue duct.
- The earthed socket should be connected via its own circuit.
- If the earthed socket is no longer accessible following installation of the extractor hood, a disconnecter must be fitted as for a permanent connection.

If a permanent connection is required

- A disconnecter must be provided on the installation side. Switches with a contact opening of more than $\frac{1}{8}$ " and all-pole disconnection are regarded as disconnectors. This includes LS switches, fuses and contactors.

Electrical specifications

The required connection data can be found on the rating plate inside the appliance when the grease filters have been removed.

Length of the power cord: approx. 47".

This extractor hood complies with the EC interference suppression regulations.

Installation

The **extractor hood** is designed for installation on the kitchen ceiling or on a rigid suspended ceiling.

- During installation, optional accessories may also require fitting.
- Observe the minimum distance between hob and extractor hood (see "Safety instructions")!
- Avoid damaging the sensitive surfaces!

Preparing the ceiling

RISK OF INJURY, DAMAGE TO PROPERTY

Before drilling the holes for the designated installation location, check for concealed electrical cables and other lines.

- The ceiling must be level and horizontal.
- The enclosed screws and wall plugs are suitable for concrete and natural stone. Use the appropriate fasteners for other ceiling structures. Ensure that the ceiling has adequate load bearing capacity.
- Ensure that the depth of the drilled holes corresponds with the length of the screws.
- Ensure that the wall plugs are secure.

Max. weight: 110 lbs.

Design subject to modification in line with technical development.

Note: At least one screw for the mounting must be installed through a stud.

Note:

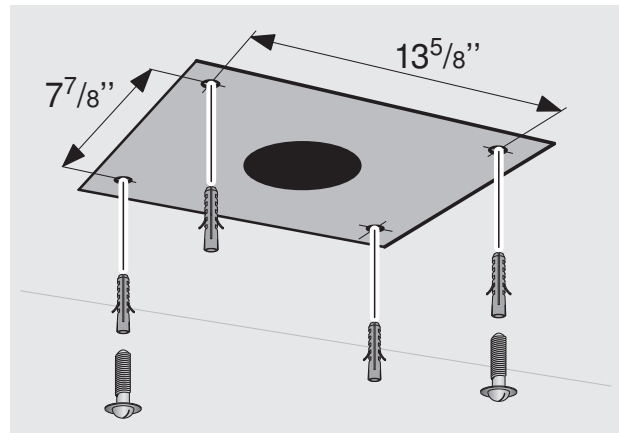
the extractor hood is to be installed to a kitchen ceiling or suspended ceiling. Ensure that the ceiling is capable of providing a firm hold for a maximum weight of hood and accessories of 50 kg / 110 lbs.

Before marking the securing holes, make sure that no electricity wires or water pipes or other wires/pipes are laid at the drilling points in the ceiling.

Before installation check the enclosed wall plugs and screws are suitable for your ceiling. If necessary use special wall plugs.

Installation of the extractor hood:

- 1 Using the drilling template mark the position of the screws on the ceiling.

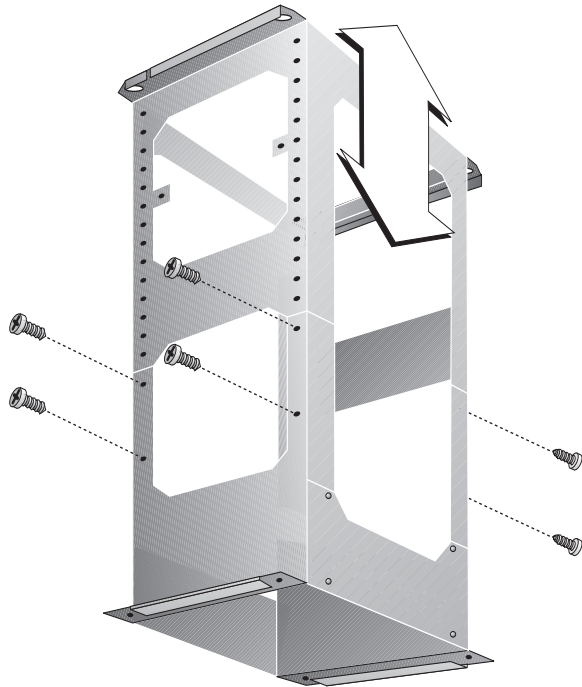


- 2 Drill 4 holes $\text{Ø } \frac{5}{16}$ " for the wall plugs. Push the plugs flush with the ceiling.
- 3 Turn two screws to a $\frac{3}{8}$ " gap. Both screws are placed in a position, in which at a later stage of the installation the key-holes of the supporting frame are found (namely back left and front right from the control panel of the hood).

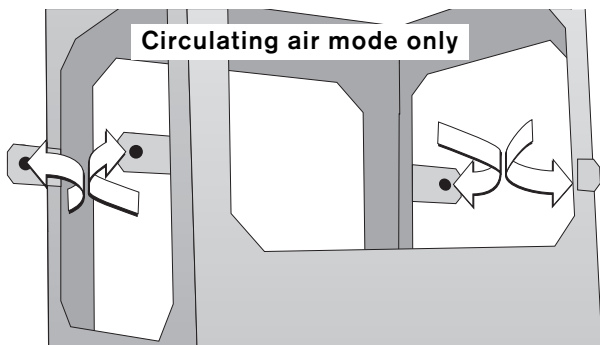
- 4 Adjust the support frame to the desired height and secure with 8 screws (12 screws for the longer ventilation ducts). The length of the support frame can be adjusted in steps of $\frac{13}{16}$ ".

Note:

ensure that the minimum distance between the hob and the extractor hood is maintained - 30" for an electric hob and 30" for a gas hob.

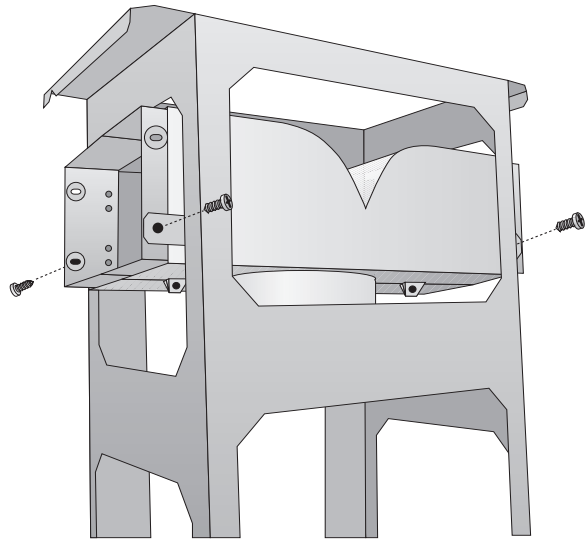
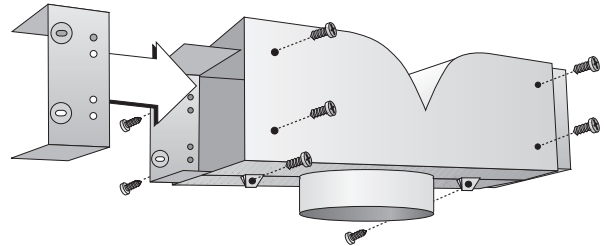


Circulating air mode only: there are four brackets, which fix the circulating air switch module to the top of the support frame. These should be bent outward in a 90° angle.

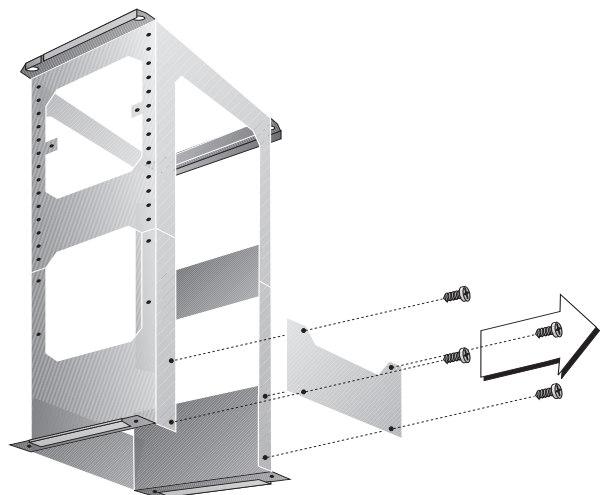


- 5 Hang the support frame with the two key-holes to the two screws in the ceiling and attach it with all 4 screws to the ceiling.

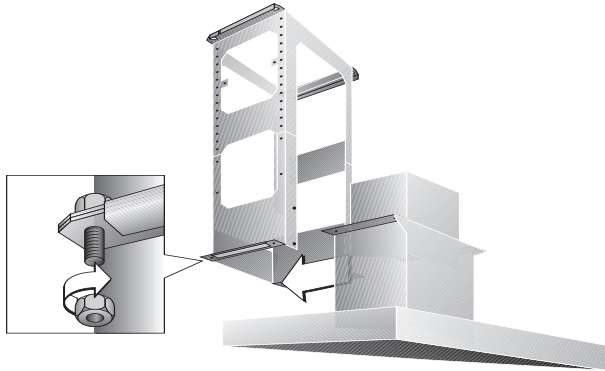
Circulating air mode only: assemble the circulating air switch module and fix it to support frame. Cut the flexible air pipe to the required length and fix it to the extractor hood.



- 6 Remove the cover plate from the rear of the support frame.

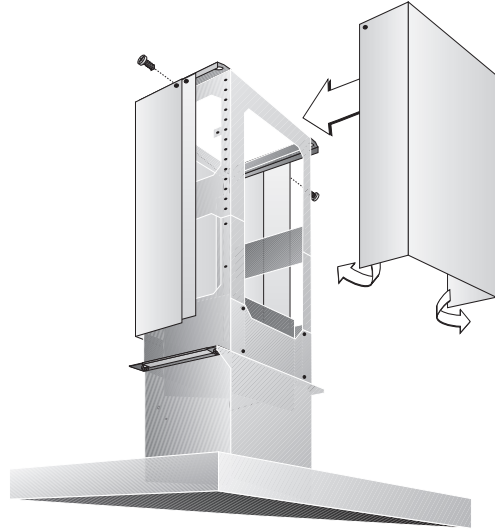


- 7 Slide the extractor hood into one side of the support frame (Note: take care not to trap the mains connecting cable) and **immediately secure the hood with 4 screws.**

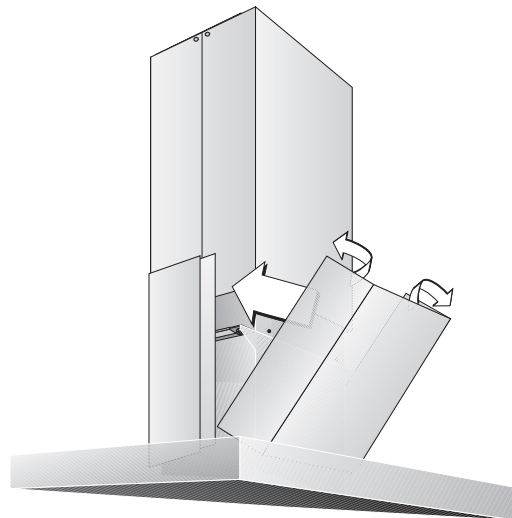


- 8 Screw the cover plate back on the rear of the support frame. The cover plate is important for the stability of the frame.
- 9 Connect the air outlet pipe to the extractor hood and to the exhaust air pipe on the ceiling (to the circulating air switch module for circulating air mode).
- 10 Establish the electrical connection.
- 11 Pull the protective film off the chimney's trims (if applicable).
- 12 **Avoid damaging the sensitive surfaces when installing the ventilation ducts.**
- 13 Secure the top chimney duct unit which has no magnetic strips with 2 screws on the top of the support frame.

- 14 The second top chimney duct (which has magnetic strips) should be slightly bent open, in order to slide over the first chimney duct easily. Adjust (leave no gap) and fix with 2 screws to the top of the support frame.



- 15 Place the bottom chimney duct unit which has no magnetic strips on the extractor hood. The second bottom chimney duct (which has magnetic strips) should be slightly bent open, in order to slide over the first chimney duct easily. Adjust to leave no gap.



- 16 **Circulating air mode only:** insert the activated charcoal filter. The activated charcoal filter is not supplied with the appliance.
- 17 Test that the appliance functions correctly.

Note: only dismantle the chimney ducts by hand. Do not use a tool, this might damage the ventilation ducts.

Tabel de matières

Mode d'emploi

Informations générales 21

Conseils pour le respect de l'environnement	21
Avant la première utilisation	21

Consignes de sécurité 22

Conformité d'utilisation	22
Sécurité technique	23
Consignes spéciales pour les appareils de cuisson au gaz	24
Montage correct	25

Modes de service 26

Mode Évacuation de l'air	26
Mode Recyclage de l'air	26

Utilisation 27

Nettoyage et entretien 29

Dépose et incorporation des filtres à graisse 30

Dépose et incorporation des filtres à graisse	30
Dépose et incorporation des filtres au charbon actif	30

Remplacement des ampoules 31

Notice de montage

Consignes de montage 32

Jonction des conduits	32
Branchement électrique	33

Montage 34

Préparatifs du montage	34
Fixation	35
Montage des capots de cheminée	36

Conseils pour le respect de l'environnement

Mis au rebut de l'emballage de transport

Pour vous parvenir, votre nouvel appareil a été protégé par un emballage. Tous les matériaux qui le composent sont compatibles avec l'environnement et recyclables. Aidez-nous à éliminer l'emballage dans le respect de l'environnement.

RISQUE DES BLESSURES

Les différentes parties de l'emballage peuvent s'avérer dangereuses pour les enfants. Pour cette raison, veuillez les conserver hors de leur portée.

Mise au rebut de l'ancien appareil

Les appareils usagés ne sont pas des déchets dénués de valeur. Un retraitement adapté à l'environnement peut permettre d'en tirer des matières premières de valeur.

Cette directive définit le cadre d'une reprise et d'une revalorisation des appareils usagés en vigueur sur le tout le territoire communautaire.

Avant de mettre l'appareil usagé au rebut, rendez-le inutilisable.

Ne mettez jamais l'ancien appareil à la poubelle des ordures résiduelles !

Pour connaître les circuits actuels d'élimination, adressez-vous s.v.p. à votre revendeur ou à l'administration de votre commune.

Jusqu'à son élimination, veuillez à ranger l'appareil hors de portée des enfants.

Avant la première utilisation

Remarque : Cette notice de montage vaut pour plusieurs modèles. Certains équipements, qui ne s'appliquent pas à votre appareil, peuvent y être décrits.

Avant de mettre l'appareil neuf en service, veuillez lire la notice d'instructions soigneusement et de bout en bout. Elle contient des informations importantes pour votre sécurité ainsi que sur le nettoyage et l'entretien de votre appareil.

Rangez la notice d'utilisation et la notice de montage dans un endroit sûr et remettez-la à un éventuel nouveau propriétaire de l'appareil.

Dérangements

Si F apparaît à l'indicateur:

- Voir la section intitulée "Utilisation".

Si les touches de la hotte aspirante restent inopérantes:

- Débranchez pendant une minute environ la fiche mâle de la hotte aspirante ou retirez le fusible pour la mettre hors tension. Ensuite, réenclenchez la hotte.

Pour toute demande de précision ou en cas de dysfonctionnement, veuillez appeler le service après-vente.

(voir le répertoire des points de service après-vente).

Lorsque vous appelez, veuillez indiquer ce qui suit :

N° E	FD
------	----

Ces numéros figurent sur la plaque signalétique accessible, après avoir enlevé les filtres à graisse, dans le compartiment intérieur de la hotte aspirante.

Veuillez inscrire les chiffres dans les champs ci-dessus.



Instructions de sécurité importantes –

Utilisation et entretien

LIRE ET CONSERVER CES INSTRUCTIONS

AVERTISSEMENT – POUR RÉDUIRE LE RISQUE D'INCENDIE DE GRAISSE SUR LA TABLE DE CUISSON.

- a) Ne laissez jamais des éléments de surface allumés à forte puissance sans surveillance. Les débordements provoquent de la fumée et des résidus graisseux qui peuvent s'enflammer. Faites chauffer l'huile à feu doux ou moyen.
- b) Allumez toujours la hotte aspirante lorsque vous cuisinez à grandes chaleurs.
- c) Nettoyez souvent les ailettes du ventilateur. Ne laissez pas la graisse s'accumuler sur le ventilateur ou le filtre.
- d) Utilisez des casseroles de taille appropriée. Utilisez toujours des casseroles et ustensiles correspondant à la taille de la plaque chauffante.

Ne flambez jamais de plat sous la hotte aspirante et ne travaillez jamais avec une flamme nue. La hotte allumée aspire les flammes dans le filtre. Risque d'incendie vu la présence de dépôts sur le filtre !

Si vos cheveux ou vêtements prennent feu, se jeter à terre et se rouler sur le sol immédiatement pour éteindre les flammes.

Éteindre les flammes d'un feu l'aliments autre qu'un feu de graisse avec du bicarbonate de soude.

Ne jamais utiliser d'eau sur les feux de cuisine.

ATTENTION : La graisse déposée sur les filtres peut fondre et se déplacer dans l'évent.

Toujours avoir un détecteur de fumée qui fonctionne à proximité de la cuisine.

AVERTISSEMENT – POUR RÉDUIRE LE RISQUE DE LÉSIONS CORPORELLES EN CAS D'INCENDIE DE GRAISSE SUR LA TABLE DE CUISSON, PRENEZ LES PRÉCAUTIONS SUIVANTES :

- a) **ÉTOUFFEZ LES FLAMMES** avec un couvercle étanche, une plaque à pâtisserie ou un plateau métallique, puis éteignez le brûleur. **SOYEZ PRUDENT AFIN D'ÉVITER DES BRÛLURES.** Si les flammes ne s'éteignent pas immédiatement, **SORTEZ DE LA PIÈCE ET APPELEZ LES POMPIERS.**
- b) **NE JAMAIS SAISIR UNE CASSEROLE ENFLAMMÉE.** Vous risquez de vous brûler.
- c) **NE PAS UTILISER D'EAU,** y compris des torchons ou serviettes mouillés. Une violente explosion de vapeur se produira.

d) Utiliser un extincteur **UNIQUEMENT** si :

- 1) Vous savez que vous possédez un extincteur de classe ABC et vous savez déjà vous en servir.
- 2) Le feu est de faible importance et confiné dans la zone où il a pris.
- 3) Les pompiers ont déjà été appelés.
- 4) Vous pouvez combattre le feu en ayant le dos tourné vers une sortie.

AVERTISSEMENT – Lorsque possible, ne pas faire fonctionner le ventilateur lors d'un incendie de table de cuisson. Toutefois, ne pas passer à travers les flammes pour essayer d'éteindre le ventilateur.

Lorsque les enfants sont en âge d'utiliser l'appareil, les parents ou tuteurs légaux ont la responsabilité légale de vérifier qu'ils ont reçu de personnes qualifiées les informations nécessaires pour respecter les règles de sécurité.

Ne pas laisser les enfants utiliser cet appareil sans l'étroite surveillance d'un adulte.

Enfants et animaux ne doivent pas être laissés seuls ou sans surveillance à proximité de l'appareil en fonctionnement. Ne pas laisser les enfants jouer à proximité de l'appareil, que celui-ci soit en fonctionnement ou non.

ATTENTION – Les articles d'intérêt pour les enfants ne doivent pas être rangés dans un appareil électroménager, dans les armoires au-dessus d'un tel appareil ou sur le dossier. Un enfant qui grimpe sur l'appareil pour prendre ces objets peut se blesser sérieusement.

Ne laisser personne grimper, se tenir debout, s'appuyer, s'asseoir ou se suspendre à une partie quelconque d'un appareil, en particulier une porte, un tiroir chauffant ou un tiroir de rangement. Ceci peut endommager l'appareil et l'unité peut se renverser et provoquer des blessures potentiellement graves.

AVERTISSEMENT – S'assurer que l'ensemble de l'appareil (y compris les filtres à graisse et les ampoules, le cas échéant) ont refroidi et que la graisse s'est solidifiée avant de tenter de nettoyer une partie quelconque de l'appareil.

Demander à l'installateur de vous indiquer l'emplacement du coupe-circuit ou du fusible. Identifier sa position pour pouvoir le retrouver facilement.

CAUTION – Couper le courant au niveau du disjoncteur avant de changer une ampoule endommagée. Ne pas toucher les ampoules immédiatement après les avoir utilisées.

Les ampoules resteront chaudes pendant plusieurs minutes.

AVERTISSEMENT – Avant de remplacer une ou plusieurs ampoules, s'assurer que l'appareil et les ampoules ont refroidi et que le courant qui alimente l'appareil est coupé. Le non respect de cette consigne peut entraîner un choc électrique ou des brûlures.

Les lentilles de protection (s'il y en a) doivent être mises en place lorsque l'appareil est en fonctionnement.

Les lentilles de protection (s'il y en a) servent à protéger l'ampoule contre toute cassure.

Les lentilles de protection (s'il y en a) sont en verre. Elles sont à manipuler avec précautions afin de ne pas les casser.

Les brisures de verre risquent de causer des lésions.

Cet appareil doit être correctement installé et mis à terre par un technicien qualifié. Il ne doit être branché que sur une prise de courant correctement reliée à la terre. Pour plus de détails, se reporter à la notice d'installation.

Cet appareil est destiné uniquement à un usage domestique familial normal. Il n'est pas approuvé pour l'usage en extérieur. Voir la garantie. Pour toute question, communiquer avec le fabricant.

ATTENTION – POUR LA VENTILATION GÉNÉRALE SEULEMENT. NE PAS UTILISER POUR ÉVACUER DES MATIÈRES OU VAPEURS DANGEREUSES OU EXPLOSIVES.

Ne pas entreposer ni utiliser de produits chimiques corrosifs, vapeurs, matières inflammables ou produits non alimentaires à l'intérieur ou à proximité de cet appareil. Celui-ci a été spécialement conçu pour être utilisé pendant le chauffage et la cuisson des aliments. L'emploi de produits chimiques corrosifs pour chauffer ou nettoyer peut endommager l'appareil et occasionner des blessures.

Ne pas utiliser cet appareil s'il ne fonctionne pas correctement, ou s'il est endommagé. Communiquer avec un service de réparation autorisé.

Ne pas réparer ou remplacer une pièce quelconque de l'appareil à moins de recommandations spécifiques figurant dans ce manuel. Toute réparation doit être confiée à un centre de réparation agréé par l'usine.

Sécurité technique

- La hotte aspirante a quitté l'usine dans un état impeccable. Toutefois, contrôlez avant le montage si l'appareil présente des dégâts apparents. S'il est endommagé, il ne faut pas le mettre en service !
- Si le cordon d'alimentation de la hotte aspirante a été endommagé, il faudra, pour éviter des risques, le faire remplacer par le fabricant, son service après-vente ou une personne détenant des qualifications similaires.
- Le montage (y compris le branchement électrique), la maintenance ou la réparation de la hotte aspirante sont des opérations exclusivement réservées à un spécialiste. Dans chaque cas, il faudra mettre la hotte aspirante hors tension en débranchant la fiche mâle ou en mettant le disjoncteur hors tension !
- Des opérations de montage, maintenance ou réparation inexpertes peuvent engendrer des risques considérables pour l'utilisateur, risques dont le fabricant n'est pas responsable.
- Les modifications des parties électriques ou mécaniques sont dangereuses, raison pour laquelle elles sont interdites ! Elles peuvent également provoquer des dysfonctionnements dans la hotte.

Exploitation simultanée de la hotte aspirante avec un foyer à combustion alimenté en air ambiant.

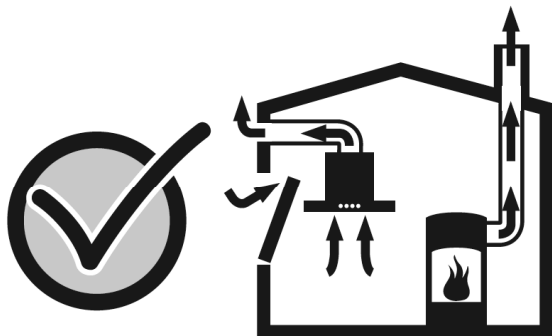
- Les appareils de chauffage, chauffe-eau, chauffe-eau accumulateurs, tables de cuisson ou four au gaz, au fuel, au bois ou au charbon requièrent pour fonctionner l'air ambiant présent dans le local où ils sont installés, et dont les gaz de combustion sont rejetés à l'extérieur par le biais d'une cheminée.

RISQUE D'INTOXICATION

Si la hotte fonctionne en même temps qu'un foyer alimenté en air ambiant, la réaspiration par celle-ci des gaz de combustion engendre un risque d'intoxication.



- La hotte peut fonctionner parallèlement sans risque à condition que la dépression dans le local où est installé le foyer ne dépasse pas 4 Pa (0,04 mbar).
Il est possible d'y parvenir au moyen d'orifices impossibles à obturer, ménagés p. ex. dans les portes, fenêtres, et en association avec une ventouse télescopique d'apport / d'évacuation d'air, ou par d'autres dispositifs techniques permettant à l'air de combustion d'affluer.



- Par conséquent, il faut toujours veiller à un apport d'air suffisant.
- Une ventouse télescopique d'apport / d'évacuation ne garantit pas à elle seule de respecter le seuil limite.

REMARQUE : Pour réaliser l'évaluation, faites entrer en ligne de compte l'ensemble des moyens d'aération équipant le logement. Pour la réaliser, demandez conseil au ramoneur compétent.

- Si la hotte aspirante doit fonctionner uniquement en mode Recyclage d'air, son exploitation ne s'assortit d'aucune restriction.

Consignes spéciales pour les appareils de cuisson au gaz

- Lors du montage au dessus de foyers au gaz, il faut respecter les dispositions légales respectives en vigueur dans votre pays (en Allemagne : les règles techniques TRGI applicable aux installations à gaz).
- Il faut respecter les prescriptions et consignes d'incorporation, en leur libellé en vigueur à la date concernée, publiées par les fabricants d'appareils au gaz.
- Lors du montage, rappelez-vous que la hotte aspirante ne peut jouxter un placard vertical ou un mur que par un seul côté. Il y a sinon risque que la chaleur s'accumule. L'écart par rapport au mur ou au placard vertical doit être de 1 ⁵/₁₆" minimum.

⚠ RISQUE DE BRÛLURES

Ne faites jamais marcher plus de deux foyers gaz en même temps à pleine puissance pendant plus de 15 minutes maximum. Sous l'effet de la chaleur, vous risqueriez de vous brûler au contact avec les surfaces de la hotte !

- Rappelez-vous que la puissance d'un grand brûleur (plus de 5 kW, pour Wok) représente celle de 2 brûleurs gaz normaux.
- La forte chaleur dégagée risque d'abîmer la hotte aspirante.
- Ne faites jamais marcher un foyer gaz sans avoir posé d'ustensile de cuisson dessus. Ajustez la flamme de telle sorte qu'elle ne dépasse pas le bord inférieur de l'ustensile de cuisson.

RISQUE D'INCENDIE

Ne flambez jamais de plat sous la hotte aspirante et ne travaillez jamais avec une flamme nue. La hotte allumée aspire les flammes dans le filtre. Risque d'incendie vu la présence de dépôts sur le filtre !

- Surveillez les casseroles, poêles et friteuses lorsque vous préparez des plats contenant de l'huile et de la matière grasse, les frites par exemple. L'huile ou la graisse surchauffées peuvent très facilement s'enflammer !
- En nettoyant régulièrement les filtres à graisse et en changeant suffisamment tôt le filtre à charbon actif, vous préviendrez un risque d'incendie.
- Ne faites jamais marcher la hotte aspirante sans filtre à graisse.

Montage correct

- Dans la notice d'instructions publiée par le fabricant de l'appareil de cuisson, vérifiez s'il est possible de faire marcher une hotte aspirante au-dessus.
- Si le fabricant de l'appareil de cuisson n'a pas spécifié d'écarts de sécurité plus importants, il faut respecter les écarts minimums suivants :
 - entre des foyers électriques et le bord inférieur de la hotte aspirante : **30"**, fig. 1.
 - entre des foyers gaz (c'est-à-dire le bord supérieur de la grille support) et le bord inférieur de la hotte aspirante : **30"**, fig. 1.
- Si vous exploitez des appareils de cuisson différents, seul vaut le plus grand écart.
- La largeur de la hotte aspirante doit équivaloir à celle de la table de cuisson.
- Au-dessus d'un foyer à combustibles solides dont peut émaner un risque d'incendie (en raison p. ex. de projections d'étincelles), le montage d'une hotte aspirante n'est admis que si ce foyer comporte un capot fermé inamovible et que les prescriptions nationales sont respectées. Cette restriction ne s'applique pas aux cuisinières à gaz et aux tables de cuisson au gaz.
- Pour éviter d'endommager le foyer, il faut le recouvrir d'un objet protecteur pendant le montage de la hotte aspirante.

Modes de service

- La hotte aspirante peut fonctionner en mode Évacuation d'air et en mode Recyclage de l'air. L'appareil est livré réglé de série sur le mode Évacuation d'air.

Mode Évacuation de l'air

Accessoires de pose pour mode évacuation

conduit d'évacuation en finition inox :

AD 010-016 pour hauteur de plafond
87 ¹³/₁₆"-94 ⁷/₈"

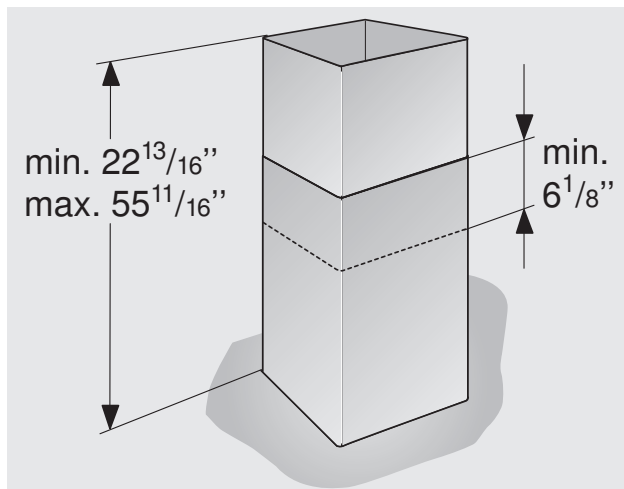
AD 010-026 pour hauteur de plafond
94 ⁷/₈"-107 ¹/₂"

AD 010-036 pour hauteur de plafond
107 ¹/₂"-117 ¹¹/₁₆".



L'air aspiré est débarrassé des particules de graisse par les filtres à cet effet, transite par un conduit puis gagne l'extérieur.

Cotes de l'appareil (évacuation de l'air)



Mode Recyclage de l'air

Accessoires de pose pour mode recyclage

conduit de recyclage en finition inox :

AD 010-126 pour hauteur de plafond
94 ⁷/₈"-107 ¹/₂"

AD 010-136 pour hauteur de plafond
107 ¹/₂"-117 ¹¹/₁₆".



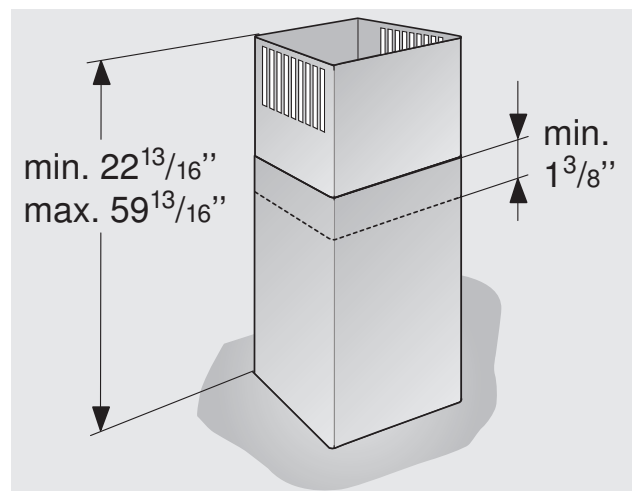
L'air aspiré se nettoie en traversant les filtres à graisse **et** un filtre au charbon actif, puis il revient dans la cuisine.

Pour, dans ce mode, lier les matières odorantes présentes, il faut incorporer un filtre à charbon actif (voir « Dépose et incorporation des filtres à graisse »).

Vous pouvez vous procurer le kit de montage complet ainsi que les filtres de rechange dans le commerce spécialisé, auprès du service après-vente ou dans la boutique en ligne. Vous trouverez le numéro de cet accessoire à la fin de la notice d'instructions.

La prise doit avoir été fixée au moins 6 ¹¹/₁₆" en dessous du plafond.

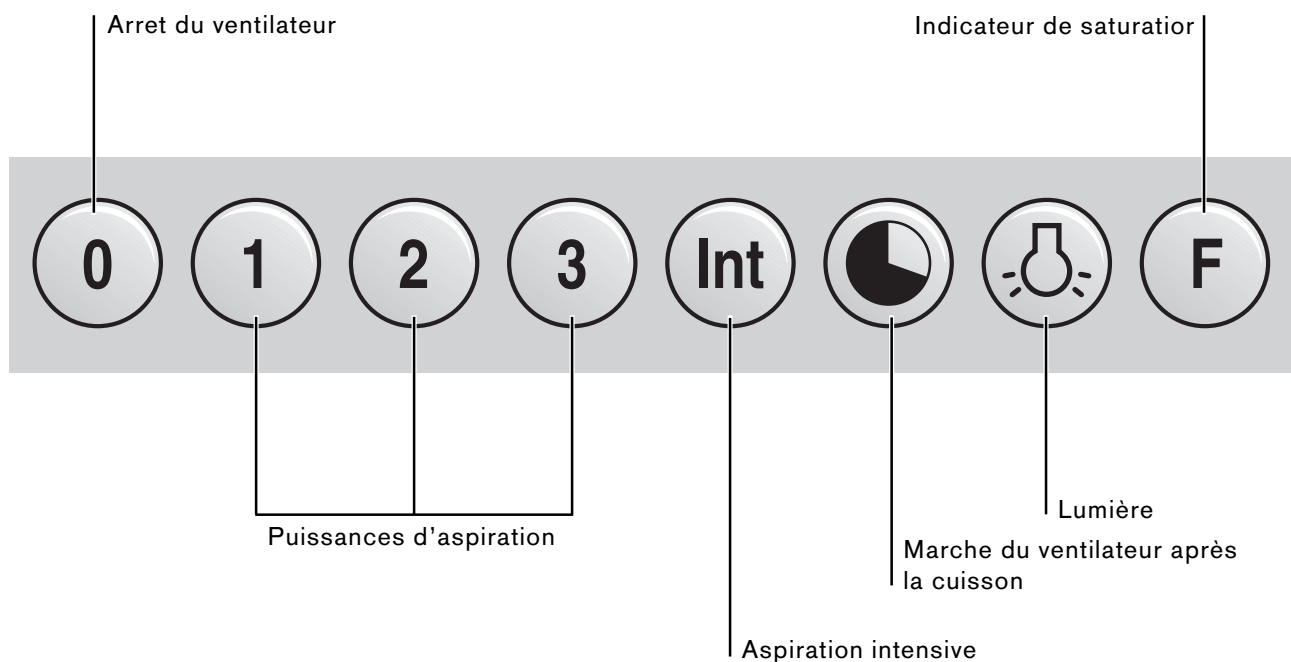
Cotes de l'appareil (recyclage de l'air)



Utilisation

La méthode la plus efficace pour supprimer les buées de cuisson consiste à :

- **Enclencher la hotte aspirante** en début de cuisson.
- **Eteindre la hotte aspirante** quelques seulement minutes après la fin de la cuisson.



Enclenchement du ventilateur:

- Appuyez sur la touche **1**, **2**, **3**, ou **Int**.

Coupure du ventilateur:

- Appuyez sur la touche **0**.

Ventilation intensive

Au niveau intensif, le ventilateur développe sa plus grande puissance. Vous n'en aurez que brièvement besoin.

- Pour faire revenir et faire cuire dans une poêle ouverte, il faut choisir la touche de super-vitesse **Int**.

Lorsque vous avez allumé la hotte en choisissant la super-vitesse, elle s'arrêtera automatiquement au bout de 5 minutes.

- Si vous appuyez sur la touche **Int** alors que la hotte fonctionne avec la vitesse **1**, **2** ou **3**, l'électronique revient automatiquement à la vitesse d'origine au bout de 5 minutes.
- Si vous voulez arrêter l'allure intensive avant expiration des 5 minutes, appuyez sur la touche **0** (« arrêt moteur ») ou sélectionnez une autre allure.


Bien entendu, il est à tout moment possible d'arrêter la hotte murale en appuyant sur la touche **0** (« Arrêt moteur »).

Fonctions spéciales

Durée de fonctionnement en super-vitesse:

- En appuyant simultanément sur la touche **Int** et les touches **1**, **2** ou **3**, vous pouvez affecter une durée de 3, 5 ou 10 minutes à la super-vitesse et sauve- garder cette durée; à la livraison, la durée programmée est de cinq minutes, ce qui correspond à la combinaison de touches **Int/2**.


Arrêt différé:

- l'arrêt différé est possible dans n'importe quelle allure. Appuyez d'abord sur la touche souhaitée (1, 2, 3 ou Int), puis actionnez la touche .

La durée de fonctionnement avant l'arrêt différé est de dix minutes pour toutes les allures. Une fois ces 10 minutes expirées, la hotte s'arrête automatiquement, mais l'éclairage reste allumé.



Ventilation intermittente:

- Il s'agit d'une fonction spécifique à cette hotte. Elle permet de programmer l'allumage automatique de l'aspiration pendant 5 minutes toutes les heures. Pour sélectionner cette fonction, appuyez en même temps sur les touches 0 et, suivant la puissance d'aspiration souhaitée, sur l'une des touches 1, 2 ou 3.

Ce mode de fonctionnement est signalé par l'allumage alternant du bouton  et du voyant de la vitesse sélectionnée.

Pour arrêter la ventilation intermittente, appuyez sur la touche 0.

Eclairage:

- Pour allumer et éteindre l'éclairage, appuyez brièvement sur la touche .
- Vous pouvez utiliser l'éclairage à tout moment, même quand le ventilateur est éteint.
- Réglage de la luminosité: Maintenez la touche  appuyée jusqu'à atteindre la luminosité voulue.

Indicateur de saturation: F

- Après 30 heures de fonctionnement, l'indicateur de saturation **F** des filtres à graisse clignote. Le clignotement de ce voyant vous signale qu'il faut nettoyer les filtres. Bien entendu, le nettoyage des filtres à graisse est possible à tout moment, sans que le voyant ne clignote.
- Pour éteindre l'indicateur, appuyez sur la touche **F**.

Nettoyage et entretien

RISQUE DE BLESSURES

Vous pouvez vous procurer des produits appropriés pour nettoyer et entretenir l'appareil par le biais de la hotline ou de la boutique en ligne (voir la page de couverture).

Surfaces de l'appareil

Remarque : Veuillez tenir compte des conditions de garantie publiées dans le manuel de SAV ci-joint.

- Les surfaces de l'appareil et ses éléments de commande craignent les rayures. Pour cette raison, respectez les consignes de nettoyage suivantes :
- Évitez de nettoyer la hotte aspirante avec des essuie-tout secs, des éponges à dos abrasif, des produits récurants ainsi que ceux qui contiennent du sable, de la soude, de l'acide, du chlorure, ou d'autres détergents agressifs.
- Nettoyez les surfaces de l'appareil et les éléments de commande uniquement avec un essuie-tout humide, du produit à vaisselle ou un produit lave-vitres doux.
- Pour les détacher, ne grattez pas les salissures incrustées : ramollissez-les avec un essuie-tout humide.
- Nettoyez prudemment la zone des éléments de commande pour empêcher que du liquide ne pénètre dans la commande électronique.

Remarque : Nettoyez les surfaces en acier inoxydable en respectant bien le sens du brossage de l'acier.
Pour les touches de commande, n'utilisez jamais de produit à nettoyer l'acier inox !

Consigne relative à l'entretien de l'appareil

- Vous pouvez vous procurer des produits appropriés pour nettoyer et entretenir l'appareil par le biais de la hotline ou de la boutique en ligne (voir la page de couverture).

Filtres métalliques à graisse

- Les filtres métalliques à graisse retiennent les particules grasses en suspension dans les buées de cuisson.
- Les nattes filtrantes sont en métal ininflammable.

RISQUE D'INCENDIE

Plus les filtres se saturent de résidus gras, plus le risque qu'ils prennent feu augmente. En outre, ces résidus réduisent l'efficacité de la hotte aspirante.

- Pour prévenir le risque d'incendie, nettoyez à temps les filtres métalliques à graisse.
- Au nettoyage des filtres à graisse, nettoyez également, avec un essuie-tout humide, les dépôts de graisse présents sur les parties accessibles du boîtier.

Nettoyer les filtres métalliques à graisse ...

- Si l'appareil fonctionne pendant une durée normale (1 à 2 heures par jour), il faut nettoyer les filtres métalliques à graisse 1 fois par mois.

... Au lave-vaisselle

- Le nettoyage des filtres métalliques à graisse peut avoir lieu au lave-vaisselle. De légères altérations de couleur peuvent se manifester, mais elles n'influencent pas sur le fonctionnement des filtres.
- Les filtres doivent reposer à plat dans le lave-vaisselle. Il ne faut pas les caler dans un râtelier.

Remarque : Si les filtres métalliques à graisse sont très saturés, lavez-les en l'absence d'autres pièces de vaisselle.

... à la main

- Si vous nettoyez ces filtres à la main, mettez-les à tremper dans de l'eau très chaude additionnée de produit à vaisselle, brossez-les, rincez-les bien puis faites-les égoutter.
- N'utilisez jamais de détergents agressifs, contenant de l'acide ou fortement alcalins.
- En présence de salissures particulièrement tenaces, nous recommandons de nettoyer avec un aérosol spécial dissolvant la graisse. Il est possible de le commander via la boutique en ligne.

Dépose et incorporation des filtres à graisse

Nettoyage des plaques vitrées

- Appliquez un produit lave-vitre du commerce avec un chiffon doux et humide.
- Pour les nettoyer plus facilement, vous pouvez démonter les plaques vitrées en procédant de la manière suivante : sortez les filtres à graisse. Dans la hotte, vous trouverez, sur le dessus, trois ouvertures à travers lesquelles vous pouvez soulever une par une les plaques vitrées au moyen d'un objet à bords non vifs (manche de cuillère en bois par exemple) pour les dégager plus facilement.
- Si elles sont très sales, vous pouvez nettoyer les plaques au lave-vaisselle à une température maximale de 131 °F.

Remarque : en reposant les plaques, faites attention à ne pas rayer le conduit de cheminée. Placez les plaques côté imprimé tourné vers le bas, en commençant par le bord reposant sur le conduit.

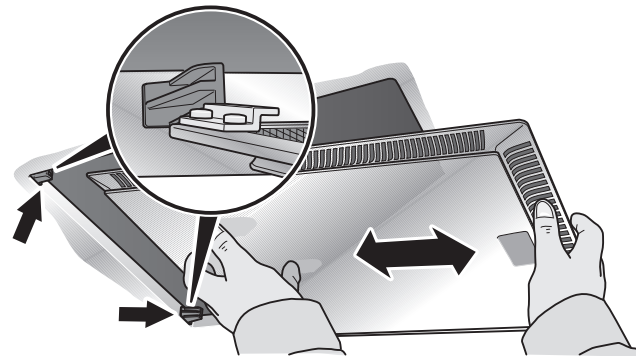
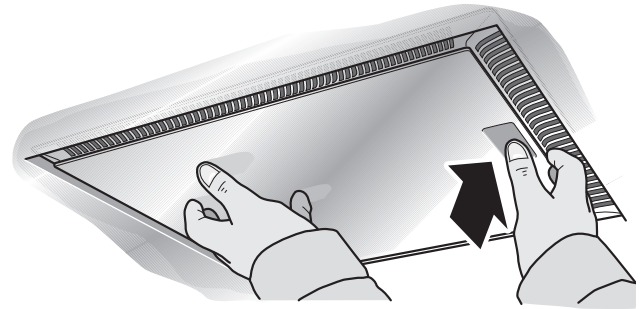
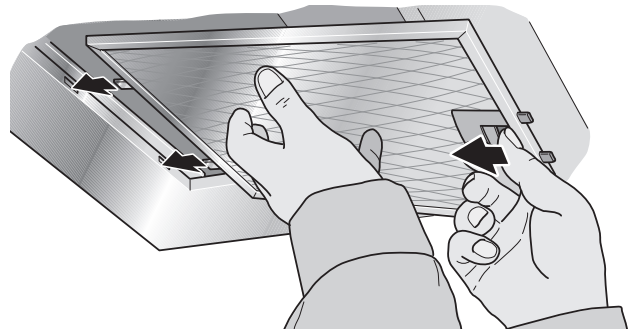
⚠ RISQUE DE BLESSURES

Avant de déposer et incorporer les filtres à graisse, veuillez impérativement respecter les consignes et avertissements figurant au chapitre « Consignes de sécurité » !

Dépose et incorporation des filtres métalliques à graisse

- 1 Ouvrez le verrouillage et basculez les filtres à graisse vers le bas.

Placez l'autre main sous les filtres pour les intercepter.



(Appareils équipés de l'aspiration par les bords)

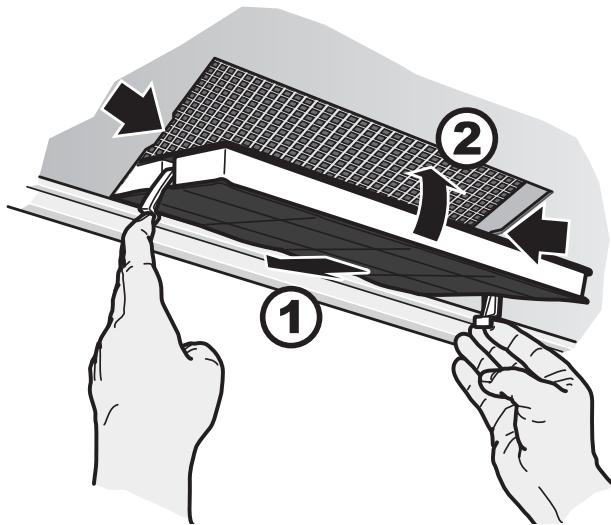
- 2 Nettoyez les filtres à graisse.
- 3 Remettez les filtres à graisse nettoyés en place.

Filtre au charbon actif

- Lorsque la hotte fonctionne en mode Recyclage d'air, les filtres au charbon actif lient les substances odoriférantes.
- Si l'appareil fonctionne pendant une durée normale (1 à 2 heures par jour), il faut changer le filtre au charbon actif environ 2 fois par an.
- Le filtre au charbon actif est disponible dans le commerce spécialisé, auprès du service après-vente ou sur la boutique en ligne (voir les accessoires en option). N'utilisez que des filtres d'origine.
- Les filtres au charbon actif ne contiennent pas de matières nocives. Après usage, il est possible de les mettre à la poubelle des déchets domestiques.

Dépose et incorporation des filtres au charbon actif

- 1 Déposez les filtres au charbon actif (voir Dépose et incorporation des filtres métalliques à graisse).



- 2 Insérez le filtre au charbon actif.
- 3 Faites réenclencher la languette
- 4 Remettez les filtres à graisse en place (voir Dépose et incorporation des filtres métalliques à graisse).

- Avant de remplacer les ampoules, veuillez impérativement respecter les consignes et avertissements figurant au chapitre « Consignes de sécurité » !
- La description du changement de lampe vaut pour plusieurs versions d'appareils.

Remarque : Veuillez tenir compte des conditions de garantie publiées dans le manuel de SAV ci-joint.

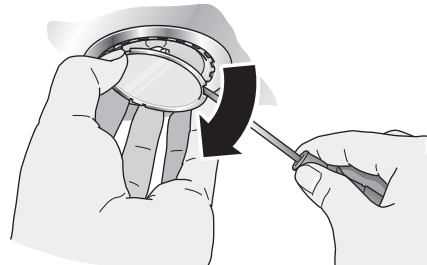
Changement des ampoules halogènes

⚠ RISQUE DE BLESSURES

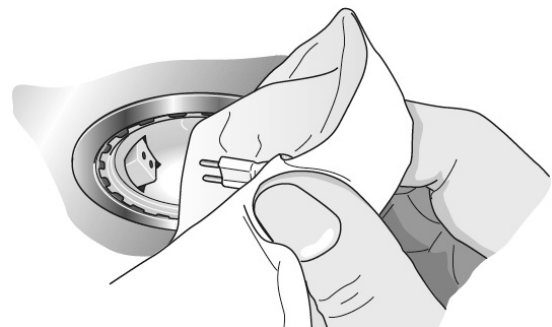
Les ampoules halogènes deviennent très chaudes en service. Le risque de vous brûler persiste plusieurs minutes après les avoir éteintes !

- Il faudrait remplacer immédiatement les ampoules défectueuses pour éviter de surcharger les ampoules restantes.
- Attendez, avant de changer les ampoules halogènes, qu'elles aient entièrement refroidi.

- 1 A l'aide d'un outil approprié, enlevez prudemment l'anneau d'ampoule.



- 2 Remplacez l'ampoule défectueuse par une autre du même type et de puissance équivalente (voir la plaque signalétique).



Remarque : Lorsque vous insérez les ampoules halogènes, veuillez à ne pas toucher le ballon de verre. Pour cette raison, utilisez un mouchoir propre pour insérer l'ampoule.

- 3 Remettez le couvercle d'ampoule en place.
- 4 Pour rétablir le courant, branchez la fiche mâle dans une prise de courant ou réarmez le disjoncteur.

Consignes de montage

- Avant de remplacer les ampoules, veuillez impérativement respecter les consignes et avertissements figurant au chapitre « Consignes de sécurité » !

Mode Évacuation d'air

- L'air sortant de la hotte est évacué vers le haut par un conduit d'aération, il traverse le mur et pénètre dans l'atmosphère extérieure.

Remarque : L'air sortant ne doit pénétrer ni dans une cheminée en service destinée à évacuer la fumée ou des gaz brûlés, ni dans une gaine servant à aérer les locaux où sont installés des foyers à combustion.

- Si l'air sortant circule par une cheminée non en service destinée à évacuer la fumée ou des gaz brûlés, il faudra vous procurer l'accord du ramoneur compétent dans votre quartier.
- Au moment de définir l'évacuation de l'air sortant, il faut respecter les prescriptions légales et celles édictées par les pouvoirs publics (p. ex. la réglementation nationale visant le BTP).
- Si l'air sortant traverse la paroi extérieure, il faudra utiliser une ventouse télescopique.

La hotte aspirante atteint une puissance optimale si

- Le conduit d'évacuation est court et rectiligne et si
- Le conduit a le plus grand diamètre possible.
- Si la pose de coudes est incontournable, veillez à ce qu'ils aient les plus grands rayons de courbure possibles.

Remarque : Des conduits d'évacuation longs, aux parois rugueuses, de nombreux coudes ou des conduits de moins de 5 7/8" de diamètre, font que la circulation de l'air n'est plus optimale et la hotte devient bruyante.

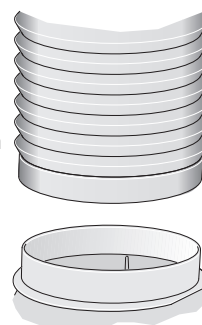
- Seuls des conduits ou flexibles en matériau ininflammable pourront composer le conduit d'évacuation installés.
- Le fabricant de la hotte aspirante décline toute réclamation imputable à la planification du parcours des conduits et à sa réalisation.

Jonction des conduits

- Les conduits d'évacuation ne doivent pas faire moins de 5 7/8" de diamètre.
- **Conduits de section ronde :**
Nous recommandons un diamètre intérieur de 5 7/8", jamais inférieur à 4 3/4".
- Les **conduits plats** doivent offrir une section de passage équivalente à celle des conduits de section ronde.
Ils ne doivent pas présenter de coudes à angles vifs.
 $\text{Ø } 5 \frac{7}{8}'' = \text{env. } 27 \frac{1}{8}'' \text{ square inch}$
 $\text{Ø } 4 \frac{3}{4}'' = \text{env. } 17 \frac{3}{4}'' \text{ square inch}$
- **Pour raccorder des conduits de diamètres différents :**
utilisez du ruban d'étanchéité.

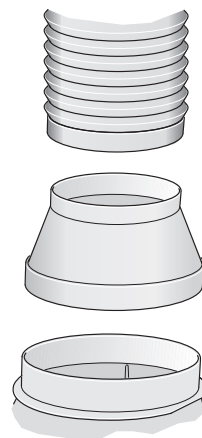
Raccordement du conduit d'évacuation Ø 5 7/8" (taille recommandée)

- Fixez le conduit d'air sortant directement contre le manchon d'évacuation puis étanchez avec un moyen approprié. En cas d'utilisation d'un conduit en aluminium, lissez préalablement la zone de raccordement.



Raccordement d'un conduit d'évacuation Ø 4 3/4"

- Fixez le manchon réducteur directement contre le manchon d'évacuation.
- Fixez le conduit d'évacuation contre le manchon réducteur.
- Étanchez les deux zones de jonction.



Branchement électrique

- Avant d'effectuer le branchement électrique, veuillez impérativement respecter les consignes et avertissements figurant au chapitre « Consignes de sécurité » !
- La hotte aspirante ne pourra être raccordée que par un électricien installateur connaissant la réglementation publiée par la compagnie de distribution d'électricité.

RISQUE DE BLESSURES

- Si le cordon d'alimentation de la hotte aspirante a été endommagé, il faudra, pour éviter des risques, le faire remplacer par le fabricant, son service après-vente ou une personne détenant des qualifications similaires.
- La hotte ne pourra être raccordée qu'à une prise femelle réglementairement raccordée à la terre.
- Installez la prise femelle à contacts de terre de préférence directement derrière le capot de la hotte.
- Il faudrait que la prise femelle à contacts de terre soit raccordée via un circuit électrique dédié.
- Si après le montage de la hotte aspirante la prise à contacts de terre n'est plus accessible, il faudra prévoir un dispositif de coupure comme s'il s'agissait d'un raccordement fixe.

Si un raccordement fixe s'impose

- Il faut prévoir un dispositif de coupure du côté de l'installation électrique. Valent comme dispositif de coupure les interrupteurs présentant une ouverture de plus de $\frac{1}{8}$ " entre contacts et sectionnant chaque pôle. Parmi eux figurent les disjoncteurs, fusibles et contacteurs.

Caractéristiques électriques

Les caractéristiques de raccordement requises figurent sur la plaque signalétique à l'intérieur de l'appareil ; cette dernière devient accessible après avoir retiré les filtres à graisse.

Longueur du câble de branchement : env. 47".

Cette hotte aspirante est conforme aux dispositions communautaires régissant l'antiparasitage.

Montage

Cette hotte d'aspiration a été prévue pour le montage contre le plafond de la cuisine ou un plafond suspendu de manière robuste.

- Vérifiez, pendant le montage, s'il faut monter le cas échéant des accessoires en option.
- Veillez à la présence d'un écart minimum entre la table de cuisson et la hotte aspirante (voir les « Consignes de sécurité ») !
- Évitez d'endommager les surfaces décoratives sensibles.

Préparation du plafond

⚠ RISQUES DE BLESSURES, RISQUES DE DEGATS MATERIELS

Avant de commencer à percer à l'emplacement prévu pour le montage, vérifiez qu'il n'y a pas entre autres de câbles électriques encastrés.

- Le plafond doit être plat et horizontal.
- Les vis et chevilles livrées d'origine conviennent pour le béton et la pierre naturelle. En présence de plafonds réalisés autrement, utilisez des moyens de fixation appropriés. Veillez à ce que le plafond offre une portance suffisante.
- Ce faisant, veillez à ce que la profondeur des trous percés corresponde à la longueur des vis.
- Veillez à ce que les chevilles offrent une retenue suffisante.

Poids max. : 110 lbs.

Sous réserve de modifications de la conception dans le cadre du progrès technique.

Remarque : posez au moins une vis de montage dans une solive.

Attention :

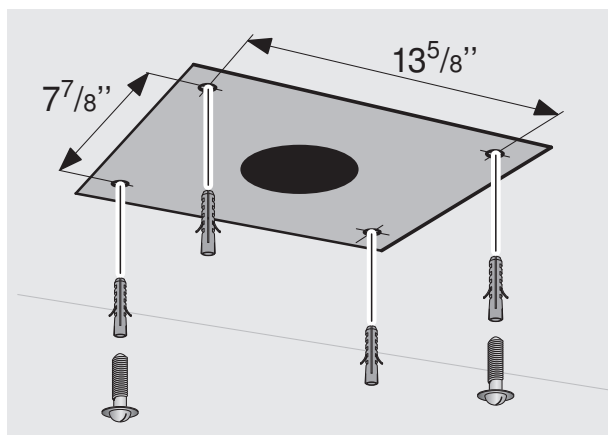
La hotte aspirante est conçue pour être montée au plafond de la cuisine ou sur un plafond suspendu solide. Avec ses accessoires, la hotte pèse jusqu'à 50 kg / 110 lbs.

Avant de tracer les trous de fixation, assurez-vous qu'aucun câble électrique ni conduite d'eau ou autre ne passe dans le plafond au niveau des points de perçage.

Avant le montage, vérifiez si les chevilles et les vis fournies conviennent à votre plafond. Si nécessaire, utilisez des chevilles spéciales.

Montage de la hotte :

- 1 A l'aide du gabarit de perçage, marquez les points de vissage sur le plafond.

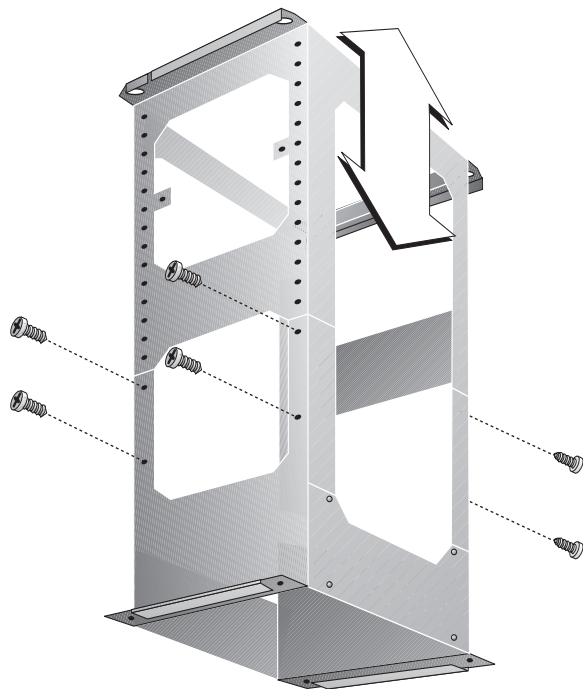


- 2 Percez les 4 trous de $\frac{5}{16}$ " Ø pour les chevilles. Enfoncez les chevilles de façon qu'elles affleurent au plafond.
- 3 Vissez les deux vis en laissant une fente de $\frac{3}{8}$ ". Vissez les deux vis aux endroits où, dans la suite des opérations de montage, se trouveront les trous de serrure sur le bâti porteur (à l'arrière gauche et à l'avant droit, vu à partir du panneau de commande de la hotte).

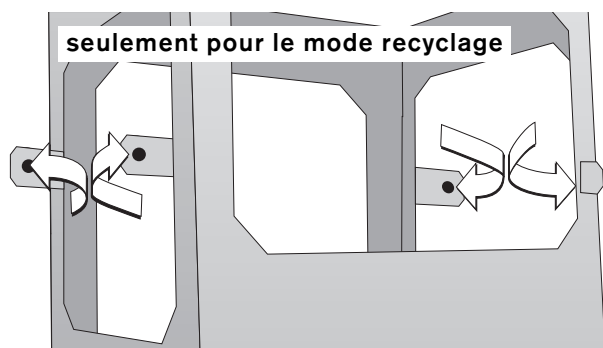
- 4 Réglez la hauteur souhaitée pour le bâti porteur et serrez les 8 vis (ou les 12 vis s'il s'agit de la cheminée longue). La longueur du bâti porteur est réglable par pas de $13/16''$.

Important :

Respectez la distance minimale entre la hotte et la table de cuisson électrique (30") ou la table de cuisson à gaz (30").

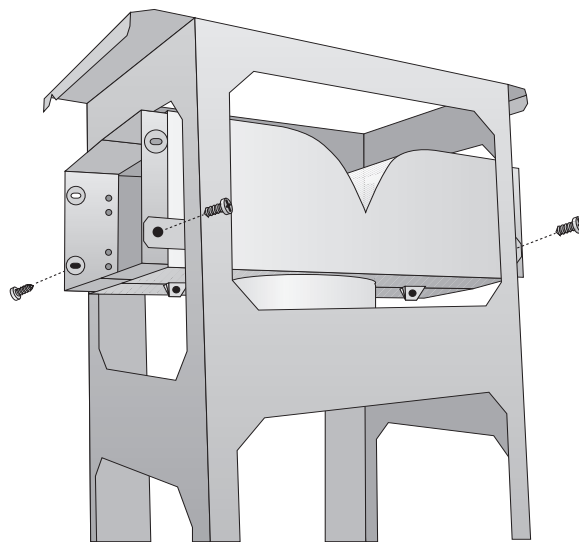
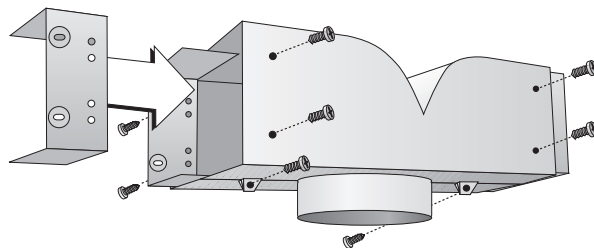


Seulement pour le mode recyclage : repliez à 90° vers l'extérieur les quatre pattes de fixation de la dérivation de recyclage, en haut du bâti porteur.

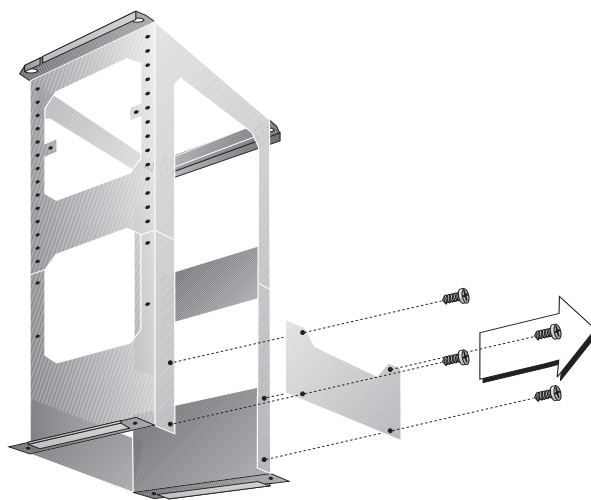


- 5 Fixez le bâti porteur avec les deux trous de serrure aux vis se trouvant dans le plafond. Fixez le bâti porteur au plafond avec les 4 vis.

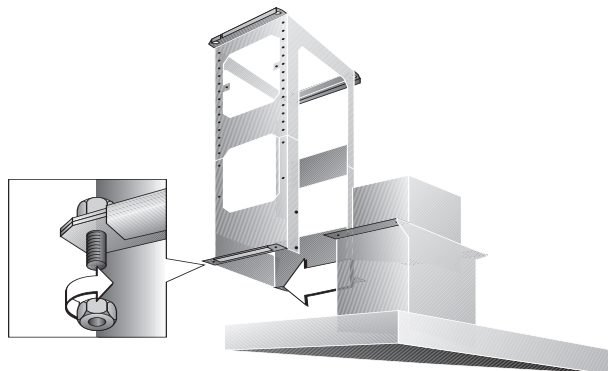
Seulement pour le mode recyclage : assembler la dérivation de recyclage et la fixer au bâti porteur. Couper le flexible de sortie à la longueur appropriée et le fixer à la hotte.



- 6 Enlevez le couvercle métallique situé à l'arrière du bâti porteur.

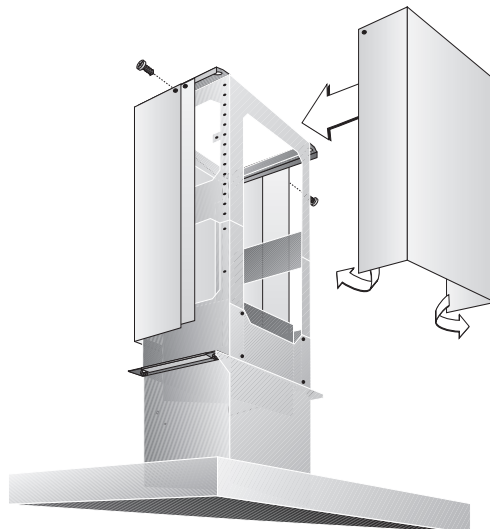


- 7 Glissez la hotte dans les pattes latérales sur le bâti porteur (attention : ne pas coincer le cordon d'alimentation) et **bloquez immédiatement la hotte avec 4 vis.**

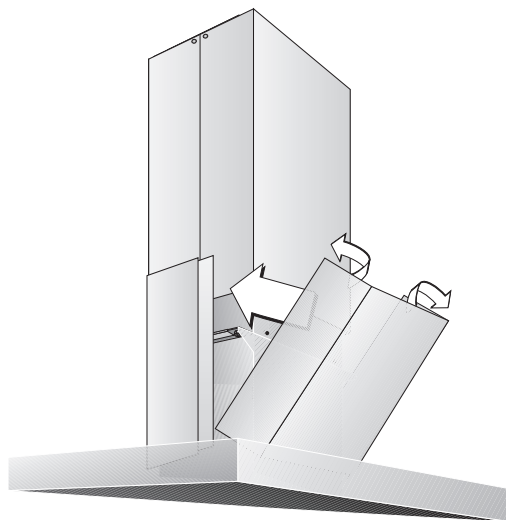


- 8 Revissez la plaque métallique à l'arrière du bâti porteur. La plaque métallique est importante pour la stabilité.
- 9 Fixez le tuyau de sortie à la hotte et au raccord de sortie située au plafond ou à la dérivation de recyclage en cas de fonctionnement avec ce mode.
- 10 Réalisez le branchement électrique.
- 11 Le cas échéant, enlevez le film qui protège les caches de cheminée.
- 12 **Attention : lors du montage des caches de cheminée, faites attention à ne pas rayer la surface qui est fragile.**
- 13 Fixez avec 2 vis en haut du bâti porteur la partie supérieure de la cheminée, sans bande magnétique.

- 14 Cintrez légèrement la deuxième moitié de la cheminée (avec bande magnétique), la faire glisser sur la première partie, ajuster (ne pas laisser de fente) et visser avec 2 vis en haut du bâti porteur.



- 15 Montez la partie inférieure de la cheminée sans bande magnétique sur la hotte. Cintrez légèrement la deuxième moitié inférieure de la cheminée (avec la bande magnétique), la glisser sur la première partie et l'ajuster (ne pas laisser de fente).



- 16 **Seulement pour le mode recyclage :** montez un filtre à charbon actif. Le filtre à charbon actif ne fait pas partie de la fourniture.

- 17 Vérifiez que l'appareil fonctionne bien.

Remarque : pour le démontage, séparer les moitiés de cheminée seulement à la main. Ne pas utiliser d'outil qui risque d'endommager les cheminées.

Contenido

Instrucciones de uso

Observaciones de carácter general	38
Advertencias relativas a la protección del medio ambiente	38
Antes de la puesta en marcha inicial del aparato	38
Advertencias de seguridad	39
Uso correcto del aparato	39
Seguridad técnica	40
Advertencias adicionales relativas a las cocinas o placas de cocción de gas	41
Montaje correcto	42
Modalidades de funcionamiento	43
Evacuación del aire al exterior	43
Evacuación del aire hacia el interior (sistema de recirculación del aire)	43
Manejo	44
Limpieza y cuidados	46
Desmontar y montar los filtros antigrasa metálicos	47
Desmontar y montar los filtros antigrasa metálicos	47
Montar y desmontar el filtro de carbón activo	47
Sustituir las lámparas	48

Instrucciones de montaje

Advertencias relativas al montaje	49
Conexión de los tubos de evacuación	49
Conexión eléctrica	50
Montaje	51
Preparativos	51
Fijación	52
Montaje del revestimiento decorativo	53

Advertencias relativas a la protección del medio ambiente

Eliminación de embalajes

Su nuevo aparato está protegido durante el transporte hasta su hogar por un embalaje protector. Todos los materiales de embalaje utilizados son respetuosos con el medio ambiente y pueden ser reciclados o reutilizados.

PELIGRO DE LESIONES

Contribuya activamente a la protección del medio ambiente insistiendo en unos métodos de eliminación y recuperación de los materiales de embalaje respetuosos con el medio ambiente. Conserve el embalaje fuera del alcance de los niños.

Desguace del aparato usado

Los aparatos eléctricos usados incorporan materiales valiosos que se pueden recuperar.

Antes de deshacerse de su aparato usado deberá inutilizarlo.

No tire en ningún caso el aparato usado a la basura doméstica.

Su Ayuntamiento o Administración local le informará gustosamente sobre las vías y posibilidades más eficaces y actuales para la eliminación respetuosa con el medio ambiente de sus electrodomésticos usados o inservibles.

Los elementos del embalaje pueden resultar peligrosos para los niños. Cerciórese de que el aparato usado esté guardado en un lugar seguro, fuera del alcance de los niños, hasta su desguace.

Antes de la puesta en marcha inicial Del aparato

Advertencia: Las presentes instrucciones de servicio son válidas para diferentes modelos de aparato; por ello puede ser posible que se describan detalles y características de equipamiento que no concuerden íntegramente con las de su aparato concreto.

Antes de emplear el aparato nuevo deberá leer detenidamente las presentes instrucciones de uso. En ellas se facilitan informaciones y consejos importantes para su seguridad personal, así como para el correcto manejo y cuidado del aparato.

Guarde las instrucciones de uso y montaje para un posible propietario posterior.

Averías y perturbaciones

En caso de que en la pantalla de visualización aparezcan las letras F:

- Véase al respecto el capítulo «Manejo».

En caso de no poder accionar los mandos ni activar las funciones de la campana extractora:

- Dejar la campana sin corriente durante aproximadamente 1 minuto extrayendo el enchufe de la toma de corriente o desconectando el fusible de la red. Conectar a continuación la campana extractora.

En caso de consultas o averías de la campana extractora, no dude en llamar al Servicio de Asistencia Técnica Oficial de la marca.

(Véase al respecto la lista con las delegaciones y distribuidores oficiales).

Para cualquier consulta deberán indicarse los números de producto y de fabricación:

E-Nr.	FD
-------	----

Estos datos figuran en la placa de características del aparato, situada en la parte interior de la campana, a la que se accede tras retirar los filtros antigrasa.

Anote los números correspondientes a su aparato en los espacios correspondientes.



Instrucciones de seguridad importantes – Uso y cuidado

LEA Y GUARDE ESTAS INSTRUCCIONES

ADVERTENCIA – PARA REDUCIR EL RIESGO DE INCENDIO OCASIONADO POR GRASA EN LA PARRILLA:

- No deje nunca desatendida una encimera ajustada a una potencia alta. Los derrames por hervor pueden causar humo y salpicaduras de grasa que pueden prenderse. Caliente los aceites lentamente o con una potencia baja o media.
- Siempre encienda la campana al cocinar a un valor de calor.
- Limpie frecuentemente los extractores. No debe permitirse que se acumule grasa en el ventilador ni en el filtro.
- Utilice un recipiente del tamaño correcto. Use siempre recipientes apropiados para el tamaño de la encimera.

No preparar alimentos o platos flameados directamente debajo de la campana extractora, dado que ésta, al estar funcionando, atrae las llamas hacia el filtro, pudiendo incendiarse la grasa acumulada en el filtro antigrasa por las llamas que suben.

En el caso de que su ropa o cabello se prendan fuego, arrójese al piso y ruede de inmediato para extinguir las llamas.

Sofoque las llamas provocadas por alimentos que se prenden fuego, que no sean incendios ocasionados por grasa, con bicarbonato de sodio.

Nunca use agua en incendios ocasionados al cocinar.

PRECAUCIÓN: La grasa que quede en los filtros puede volver a derretirse y llegar al sistema de ventilación.

Siempre tenga un detector de humo en funcionamiento cerca de la cocina.

ADVERTENCIA – PARA REDUCIR EL RIESGO DE LESIONES PERSONALES EN EL CASO DE INCENDIO POR GRASA EN LA PLACA, RESPETE LO SIGUIENTE:

- SOFOQUE LAS LLAMAS** con una tapa bien ajustada, una placa para galletas o una bandeja metálica, luego apague la hornilla. **VAYA CON CUIDADO PARA EVITAR QUEMADURAS.** Si las llamas no se apagan inmediatamente, **EVACUE LA HABITACIÓN Y LLAME A LOS BOMBEROS.**
- NUNCA LEVANTE UNA OLLA EN LLAMAS;** puede quemarse.
- NO USE AGUA,** ni tampoco trapos o toallas húmedas; puede ocasionar una violenta explosión de vapor.

d) Use un extinguidor **SÓLO** si:

- Sabe que tiene un extinguidor CLASE ABC y ya sabe cómo usarlo.
- El fuego es pequeño y reducido al área donde se ha originado.
- Se ha llamado a los bomberos.
- Puede combatir el fuego teniendo una vía de salida a su espalda.

ADVERTENCIA – Si es posible, no ponga el ventilador en funcionamiento si hay un incendio en la placa. Pero no atraviese el fuego con la mano para apagar el ventilador.

Cuando los niños tienen la edad adecuada para utilizar el electrodoméstico, es responsabilidad legal de los padres o tutores legales asegurarse de que reciban las instrucciones sobre prácticas seguras por parte de personas calificadas.

No permita que los niños utilicen este electrodoméstico, a menos que sean supervisados de cerca por un adulto.

Los niños y las mascotas no deben quedar solos o sin vigilancia en el área donde se utilice el electrodoméstico. Nunca se les debe permitir jugar cerca del electrodoméstico, independientemente de que esté en funcionamiento o no.

PRECAUCIÓN – Los objetos de interés para niños no deben almacenarse en un electrodoméstico, en gabinetes que estén sobre un electrodoméstico ni en la placa antisalpicaduras. Si los niños se suben a un electrodoméstico para alcanzar estos objetos, podrían sufrir lesiones graves.

No permita que nadie se suba, pare, incline, siente o cuelgue de ninguna parte de un electrodoméstico, especialmente una puerta, un cajón calentador o un cajón para almacenamiento. Esto puede dañar el electrodoméstico, y la unidad puede voltearse y, posiblemente, causar lesiones graves.

ADVERTENCIA – Asegúrese de que todo el electrodoméstico (incluidos los filtros de grasa y los focos, si corresponde) se haya enfriado y de que la grasa se haya solidificado antes de intentar limpiar cualquier pieza del electrodoméstico.

Pídale al instalador que le muestre la ubicación del disyuntor o el fusible. Márquela para recordarla más fácilmente.

PRECAUCIÓN – Apague la alimentación eléctrica en el disyuntor antes de retirar un foco que esté dañado. No toque los focos inmediatamente después de su uso.

Los focos seguirán estando calientes durante varios minutos.

ADVERTENCIA – Asegúrese de que las luces del electrodoméstico estén frías y de que el suministro eléctrico al electrodoméstico esté apagado antes de cambiar el (los) foco(s). No hacerlo puede ocasionar una descarga eléctrica o quemaduras.

Las lentes (si vienen incluidas) deben estar en su lugar al usar el electrodoméstico.

Las lentes (si vienen incluidas) sirven para proteger el foco contra roturas.

Las lentes (si vienen incluidas) están hechas de vidrio. Manipúlelas con cuidado para que no se rompan.

El vidrio roto puede causar una lesión.

Este electrodoméstico debe ser correctamente instalado y conectado a tierra por un técnico calificado. Conéctelo sólo a una toma de corriente correctamente conectada a tierra. Para obtener más información, consulte las Instrucciones de instalación.

Este electrodoméstico ha sido diseñado para el uso doméstico normal de una familia únicamente. No está aprobado para uso en exteriores. Consulte la garantía. Si tiene alguna pregunta, comuníquese con el fabricante.

PRECAUCIÓN – USAR SÓLO PARA VENTILACIÓN GENERAL. No usar para evacuar materiales peligrosos o explosivos y vapores.

No almacene ni utilice productos químicos corrosivos, vapores, materiales inflamables ni productos no alimenticios dentro de este electrodoméstico ni cerca de él. Está específicamente diseñado para usarlo al calentar o cocinar alimentos. El uso de productos químicos corrosivos al calentar o limpiar dañará el electrodoméstico y podría causar lesiones.

No utilice este electrodoméstico si no funciona correctamente o si ha sido dañado. Comuníquese con un centro de servicio técnico autorizado.

No repare ni cambie ninguna parte del electrodoméstico, a menos que se recomiende específicamente en este manual. Remita todas las reparaciones a un centro de servicio técnico autorizado por la fábrica.

Seguridad técnica

- La presente campana ha abandonado la fábrica en perfecto estado. No obstante le aconsejamos controle el aparato antes de proceder a su montaje por si presentara huellas visibles de daños o desperfectos. Las campanas que presentaran huellas de daños o desperfectos no deberán ponerse en marcha.
- En caso de producirse daños en el cable de conexión del aparato, éste sólo podrá ser sustituido por el fabricante, un técnico especializado del Servicio de Asistencia

Técnica Oficial o un técnico especializado del ramo a fin de evitar posibles situaciones de peligro.

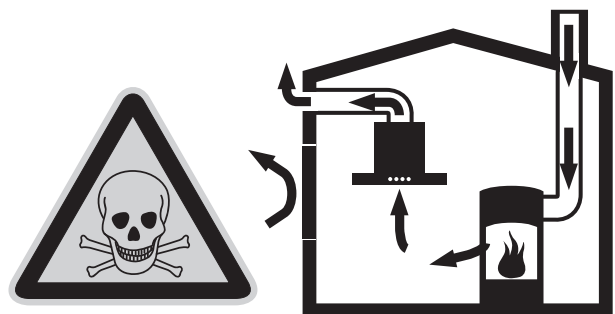
- El montaje del aparato (incluyendo la conexión a la red eléctrica), así como los trabajos de mantenimiento o reparación, sólo podrán ser ejecutados por personal técnico debidamente cualificado. En cualquier caso hay que desconectar la campana extractora de la red eléctrica extrayendo para ello el cable de conexión de la toma de corriente o desconectando el fusible.
- El montaje, el mantenimiento o las reparaciones ejecutadas de modo erróneo o incorrecto pueden dar lugar a situaciones de serio peligro para el usuario de las que no se responsabiliza en absoluto el fabricante.
- Las modificaciones o transformaciones de la estructura eléctrica o mecánica del aparato pueden ser peligrosas y por ello no deberán realizarse. Además pueden perturbar el funcionamiento normal del aparato.

Funcionamiento simultáneo de la campana extractora y un hogar dependiente de una chimenea

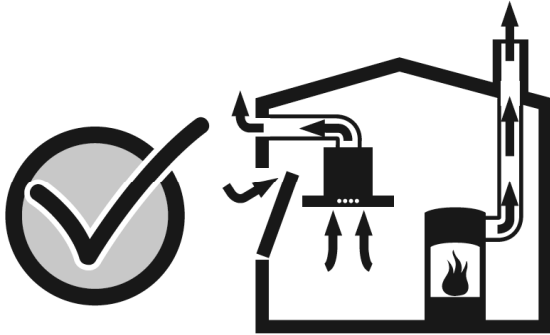
- Por hogares dependientes de una chimenea se entienden, por ejemplo, calefacciones de gas, gas-oil o carbón, calentadores instantáneos, calentadores de agua, placas de cocción u cocinas que absorben el aire necesario para la combustión del recinto en donde se encuentran instalados y cuyos los gases de humo se pueden evacuar al exterior a través de una chimenea.

PELIGRO DE INTOXICACIÓN

En caso de utilizar la campana con evacuación del aire al exterior simultáneamente con fuentes de calor u hogares dependientes de una chimenea en un recinto cerrado, puede ocurrir que se produzca una excesiva aspiración de aire para la combustión, pudiendo retornar en tal caso los gases de combustión tóxicos al interior del recinto por efecto de la depresión (presión negativa) existente.



- Un funcionamiento sin peligro es posible si en el local de emplazamiento del hogar no se sobrepasa la depresión admisible de 4 Pa (0,04 mbares). Esto se puede lograr a través del libre acceso del aire de combustión a través de unas aberturas sin posibilidad de cierre ni bloqueo, por ejemplo puertas, ventanas, cajas murales para alimentación y evacuación de aire u otras medidas técnicas.



- Procurar que siempre exista una suficiente alimentación de aire.
- La simple existencia de una caja mural para alimentación y evacuación de aire no asegura el cumplimiento del valor-límite.

Advertencia: En las consideraciones y valoraciones a este respecto siempre habrá que tener en cuenta todo el conjunto del sistema de ventilación existente en la vivienda. En caso de duda deberá consultarse con el deshollinador del distrito competente.

- Las campanas extractoras montadas con evacuación del aire interior (sistema de recirculación del aire) pueden funcionar sin ningún tipo de restricción.

Advertencias adicionales relativas a las cocinas o placas de cocción de gas

- Al proceder al montaje de los quemadores de una placa de cocción o cocina de gas deberán observarse estrictamente las normas y disposiciones legales vigentes en cada país (en Alemania, por ejemplo, son las Normas Técnicas para Instalación de Equipos de Gas TRGI).
- Obsérvense las normas y disposiciones relativas al montaje e instalación del aparato facilitadas por los fabricantes de las cocinas y aparatos de gas.
- Al proceder al montaje de campana, deberá prestarse atención a montarla sólo con un lateral junto a un armario o pared alta, de lo contrario pueden producirse acumulaciones de calor. La distancia mínima a observar respecto a la pared o el armario alto es de 1 ⁵/₁₆".

PELIGRO DE QUEMADURA

No trabajar simultáneamente con más de dos zonas de cocción (quemadores) durante un tiempo prolongado (como máximo 15 minutos) ajustadas a su máxima potencia, de lo contrario existe peligro de quemadura en caso de tocar la campana o que se produzcan daños en la misma.

- Tenga presente que la potencia de un quemador rápido (grande) con más de 5 kW (Wok) equivale a la potencia de dos quemadores de gas normales.
- La campana extractora puede sufrir daños en caso de estar expuesta a elevadas temperaturas.
- No hacer funcionar nunca las zonas de cocción de gas (quemadores) sin recipientes adecuados colocados sobre las mismas. Ajustar la llama siempre de modo que no sobresalga respecto al recipiente colocado sobre la zona de cocción.

PELIGRO DE INCENDIO

No preparar alimentos o platos flameados directamente debajo de la campana extractora, dado que ésta, al estar funcionando, atrae las llamas hacia el filtro, pudiendo incendiarse la grasa acumulada en el filtro antigrasa por las llamas que suben.

- Las grasas y aceites calentados excesivamente pueden inflamarse rápidamente. Por ello, los alimentos o platos que requieran grasa o aceite caliente preparados en sartenes, cacerolas o freidoras, como por ejemplo las patatas fritas, sólo deberán prepararse bajo vigilancia.
- La limpieza regular de los filtros metálicos, eliminando las partículas de grasa adheridas en los mismos, así como la sustitución a tiempo del filtro de carbón activo, puede prevenir el peligro de incendio a causa de una acumulación de calor al freír o asar alimentos.
- No utilice nunca la campana extractora sin el filtro antigrasa colocado.

Montaje correcto

- Preste atención a las indicaciones y advertencias del fabricante del equipo de cocción (cocina o placa encimera) respecto a si está permitida la instalación y el funcionamiento de una campana extractora por encima de éstas.
- En caso de no prescribir el fabricante de la cocina o placa de cocción una distancia de seguridad superior, deberán observarse las siguientes distancias mínimas de seguridad
 - entre las zonas de cocción eléctricas y el borde inferior de la campana, **23⁵/₈"**, (Fig. 1).
 - entre el borde superior de la parrilla para colocar recipientes de las zonas de cocción de gas (quemadores) y el borde inferior de la campana extractora, **27⁹/₁₆"**, (Fig. 1).
- En caso de utilizar diferentes aparatos de cocina, deberá observarse siempre la mayor distancia señalada.
- La anchura de la campana extractora tiene que corresponder a la anchura de la cocina o placa de cocción.
- El montaje de la campana extractora por encima de hogares para combustibles sólidos (carbón, leña, etc.), que pueden originar situaciones de peligro de incendio (proyección de chispas), sólo está permitido si el hogar está provisto de una tapa cerrada no desmontable y se cumplen las normas específicas vigentes en cada país. Esta restricción no rige para las cocinas y las placas de cocción de gas.
- Con objeto de evitar daños en el equipo de cocción (cocina o placa de cocción), deberá cubrirse éste antes de proceder al montaje de la campana extractora.

Modalidades de funcionamiento

- La campana extractora puede trabajar en las modalidades de evacuación del aire al exterior o al interior (recirculación). El aparato viene ajustado de fábrica a la modalidad de evacuación del aire al exterior.

Evacuación del aire al exterior

Accesorio de instalación para funcionamiento de extracción de aire

Canal de extracción de aire en diseño de acero inoxidable:

AD 010-016 para alturas de techo $87 \frac{13}{16}''$ - $94 \frac{7}{8}''$

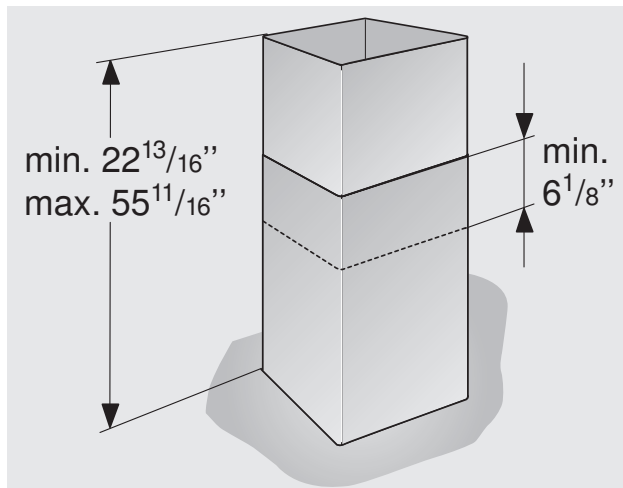
AD 010-026 para alturas de techo $94 \frac{7}{8}''$ - $107 \frac{1}{2}''$

AD 010-036 para alturas de techo $107 \frac{1}{2}''$ - $117 \frac{11}{16}''$.



El ventilador que incorpora la campana extractora aspira los vahos de la cocina y los evacúa hacia el exterior, haciéndolos pasar previamente a través del filtro antigrasa y los tubos de conducción.

Cotas del aparato Evacuación del aire al exterior



Evacuación del aire hacia el interior (sistema de recirculación del aire)

Accesorio de instalación para servicio de recirculación

Canal de extracción de aire en diseño de acero inoxidable:

AD 010-126 para alturas de techo $94 \frac{7}{8}''$ - $107 \frac{1}{2}''$

AD 010-136 para alturas de techo $107 \frac{1}{2}''$ - $117 \frac{11}{16}''$.



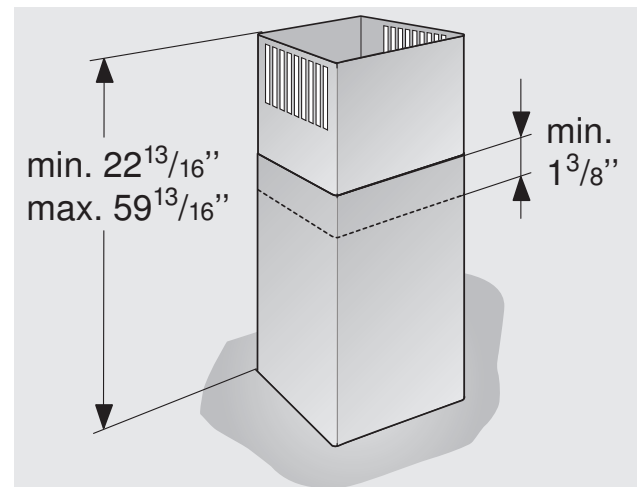
El ventilador que incorpora la campana extractora aspira los vahos de la cocina y los hace pasar a través de los filtros antigrasa y de carbón activo, devolviéndolos a continuación, una vez purificados, al recinto (cocina).

Con objeto de retener las partículas que originan los olores en la modalidad de evacuación del aire hacia el interior, hay que montar un filtro de carbón (véase el capítulo «Montaje y desmontaje de los filtros antigrasa»).

El kit de montaje completo, así como los filtros de repuesto, se pueden adquirir en el comercio especializado del ramo, en el Servicio de Asistencia Técnica Oficial o en nuestra tienda online. La referencia del mismo se facilita al final de las presentes instrucciones de uso.

La toma (caja) de corriente deberá instalarse a una distancia mínima de $6 \frac{11}{16}''$ respecto al techo.

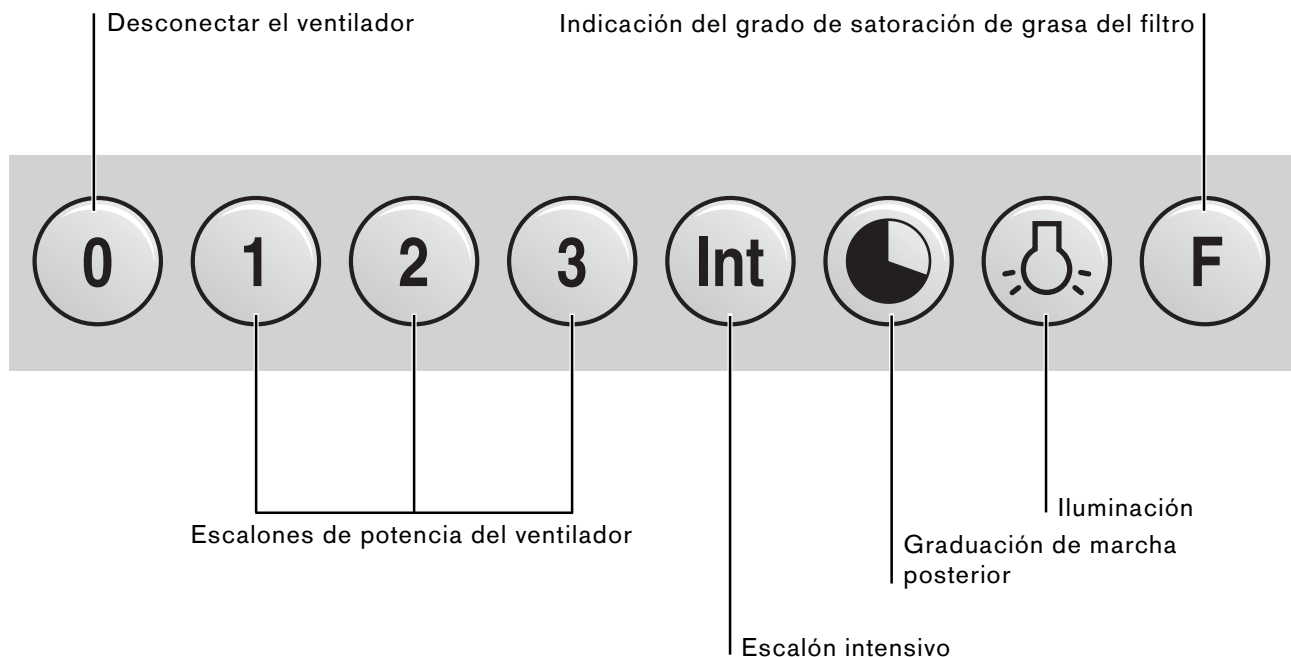
Cotas del aparato Evacuación del aire al interior



Manejo

La manera más eficaz de absorber los vahos producidos en la cocina durante la preparación de los alimentos es:

- **Conectando la campana extractora** al comenzar a trabajar.
- **Desconectando la campana extractora** al cabo de unos minutos después de haber concluido los trabajos.



Conectar el ventilador:

- Pulsar la tecla **1**, **2**, **3** o **Int**.

Desconectar el ventilador:

- Pulsar la tecla **0**.

Escalón intensivo

Seleccionando el escalón de funcionamiento intensivo, el ventilador desarrolla su máxima potencia. Este escalón se suele usar sólo durante cortos períodos.


- Al dorar o freír con sartén destapada, deberá pulsarse la tecla **Int** para el nivel intensivo.
Si ha activado la campana accionando el nivel intensivo, ésta se desconecta automáticamente transcurridos unos 5 minutos.
- Pulse la tecla **Int** mientras que la campana esté funcionando en los niveles de ventilación **1**, **2** o **3** la electrónica conmuta automáticamente transcurridos unos 5 minutos de nuevo al nivel de ventilación seleccionado.
- Si desea finalizar la graduación intensiva antes de que transcurra los 5 minutos, deberá accionar la tecla **0** ("Motor desc.") o cualquier otra graduación. En cualquier momento puede desactivar la extracción de la campana mural, pulsando la tecla **0** ("motor desconectado").

Funciones especiales

Duración intensiva:


- Pulsando simultáneamente la tecla-**Int** y las teclas **1**, **2** o **3**, puede ajustar la duración del nivel intensivo en 3, 5 ó 10 minutos y memorizarlo. En estado de suministro viene con 5 minutos es decir la combinación de teclas **Int/2**.

Graduación de marcha posterior:

- La marcha posterior se puede realizar con cualquier graduación. Presione primeramente la tecla deseada **1**, **2**, **3** o bien **Int** y a continuación la tecla . El tiempo de marcha posterior para todas las graduaciones es de diez minutos. Transcurrido estos diez minutos se desactiva automáticamente la ventilación, sin embargo continua funcionando el alumbrado.



Ventilación a intervalos:

- Una particularidad de este aparato es la ventilación a intervalos. En esencia es una conexión automática de la ventilación de cinco minutos cada hora respectivamente. Esta función puede activarla pulsando simultáneamente la tecla **0** y según potencia de extracción deseada, las teclas **1**, **2** o **3**.

Esta clase de servicio es indicada mediante el encendido alternativo  del pulsador y de la indicación de nivel correspondiente.

La ventilación alternativa es desactivada presionando la tecla **0**.

Iluminación:

- Pulsar brevemente la tecla  para activar o desactivar la iluminación.
- La iluminación se puede conectar en cualquier momento, con independencia de que el ventilador funcione o no.
- **Ajustar la intensidad de la iluminación:** Mantener pulsada la tecla  hasta alcanzar la intensidad de iluminación deseada.

Indicación del grado de saturación de grasa del filtro: F

- Tras un tiempo de servicio de aprox. 30 horas, parpadea la indicación de saturación del filtro de grasa F. El parpadeo de la lámpara de control, señala que el filtro de antigrasa requiere una limpieza. Evidentemente, la limpieza del filtro antigrasa es posible en cualquier momento, aunque no esté intermitente la indicación de aviso de filtro antigrasa.
- Para borrar la indicación de la pantalla, pulsar la tecla de **F**.

Limpieza y cuidados

PELIGRO DE LESIONES

Los productos y agentes adecuados para la limpieza y el cuidado de su aparato los puede adquirir a través de la Línea telefónica de atención al cliente del fabricante o la tienda online.

Superficies del aparato

Advertencia: ¡Obsérvense las condiciones de garantía que figuran en el cuaderno de servicio adjunto!

- Las superficies del aparato, así como los elementos de mando, son sensibles a rasguños. Por lo tanto deberán tenerse en cuenta los siguientes consejos:
- ¡No limpiar las superficies de acero inoxidable con esponjas abrasivas! ¡No emplear detergentes que contengan arena, sosa, ácidos o cloruro!
- Limpiar las superficies del aparato y los elementos de mando sólo con un paño suave húmedo, con un poco de lavavajillas manual o un limpiacristales suave.
- No rascar la suciedad reseca acumulada. Reblandézcala primero aplicando sobre la misma un paño húmedo.
- Limpiar las zona de los elementos de mando con sumo cuidado a fin de evitar que el agua o la humedad puedan acceder a los sistemas electrónicos del aparato.

Advertencia: Limpiar las superficies de acero inoxidable siempre en dirección del pulido. ¡No emplear nunca agentes de limpieza de acero inoxidable para limpiar los elementos de mando del aparato!

Advertencias para el cuidado del aparato

- Los productos y agentes adecuados para la limpieza y el cuidado de su aparato los puede adquirir a través de la Línea telefónica de atención al cliente o la tienda online (véase la solapa de las instrucciones de uso).

Filtros antigrasa metálicos

- Los filtros antigrasa metálicos absorben las partículas sólidas contenidas en los vahos de la cocina.
- Las esterillas de filtro están fabricadas en material no inflamable.

PELIGRO DE INCENDIO

A medida que crece el grado de saturación de la esterilla de filtro con partículas de grasa, aumenta su inflamabilidad, pudiendo influir negativamente en el funcionamiento de la campana.

- La limpieza a tiempo de los filtro metálicos puede prevenir el peligro de incendio.
- Al limpiar los filtros antigrasa, limpiar también la grasa acumulada en los puntos accesibles del cuerpo de la campana extractora con un paño húmedo.

Limpieza de los filtros antigrasa metálicos ...

- Bajo unas condiciones de funcionamiento normal (1 a 2 horas diarias), el filtro antigrasa metálico tiene que limpiarse una vez al mes.

... en el lavavajillas

- Los filtros antigrasa metálicos se pueden limpiar en un lavavajillas. Ello puede dar lugar a una ligera decoloración de los mismos la cual, sin embargo, no influye en absoluto en su eficacia.
- Colocar los filtros de modo que queden sueltos y no estén aprisionados.

Advertencia: No mezclar con la vajilla normal los filtros antigrasa metálicos muy saturados de grasa.

... Limpieza manual

- En caso de limpiar los filtros metálicos a mano, colocarlos algún tiempo en una solución detergente (para vajilla) muy caliente, para reblandecer la grasa adherida, limpiarlos a continuación con un cepillo, aclararlos bien y dejarlos escurrir.
- No utilizar agentes limpiadores agresivos que contengan ácidos o álcalis.
- En caso de que al grasa estuviera fuertemente adherida, aconsejamos emplear un spray especial para disolver grasa que se puede adquirir en nuestra tienda online.

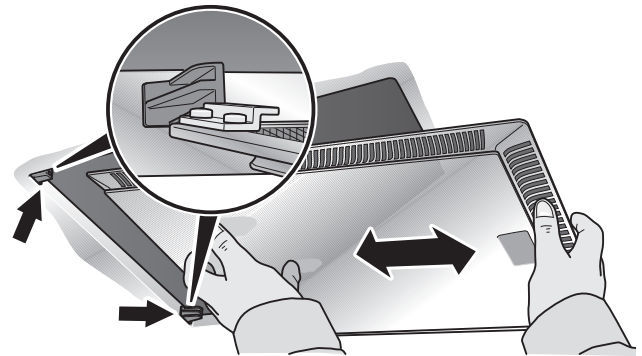
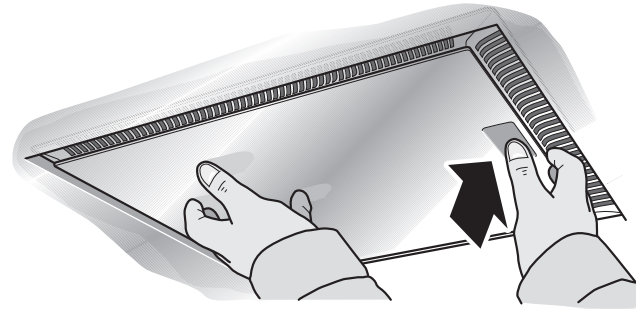
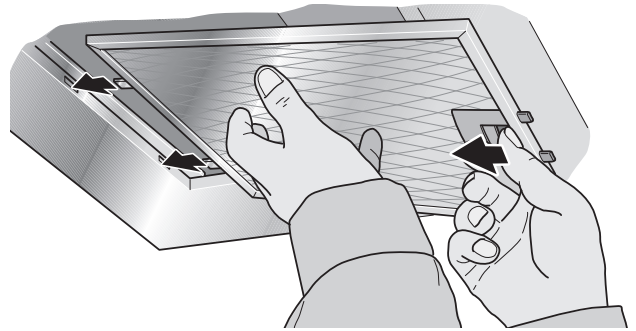
Desmontar y montar los filtros antigrasa metálicos

PELIGRO DE LESIONES

Prestar atención a las advertencias e instrucciones que se facilitan en el capítulo «Advertencias de seguridad» antes de proceder al desmontaje y montaje de los filtros antigrasa metálicos.

Desmontar y montar los filtros antigrasa metálicos

- 1 Soltar los dos cierres del filtro antigrasa y abatirlos hacia abajo, sujetando el filtro por abajo con la otra mano.



(en los aparatos con aspiración de los bordes)

- 2 Limpiar los filtros.
- 3 Colocar los filtros limpios en su sitio.

Limpieza de las placas de cristal

- Utilice limpiacristales de uso comercial y aplíquelo con un paño suave húmedo.
- Para limpiar más fácilmente las placas de cristal, puede retirarlas del modo siguiente: Retire los filtros antigrasa. En la campana extractora encontrará 3 aberturas en el lado superior, a través de ellas podrá introducir un objeto rombo no puntiagudo como por ejemplo (mango de cuchara para cocinar) y levantar las placas de cristal una a una, así podrá retirarlas con mayor comodidad.
- En caso de que presenten mucha suciedad, las puede limpiar también en el lavavajillas a una temperatura máx. de 131°F.

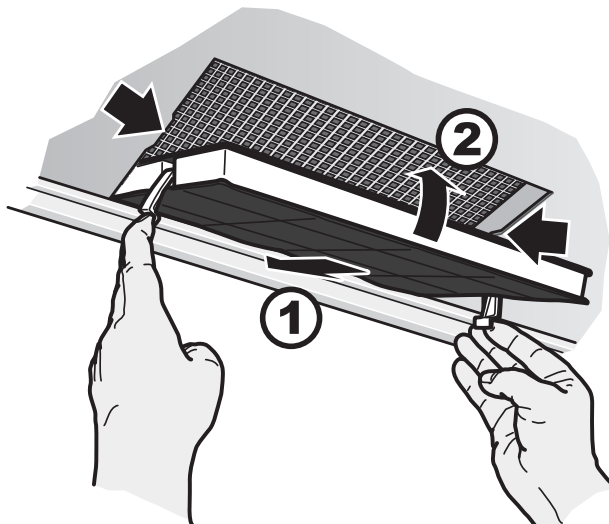
Nota: Preste atención al colocar las placas de cristal de no arañar la chimenea. Coloque las placas de cristal con el lado impreso hacia abajo en el aparato. Coloque en este proceso las placas de cristal primero en el canto de lado chimenea.

Filtro de carbón activo

- El filtro de carbón activo retiene los olores durante el funcionamiento de la campana extractora con evacuación del aire al interior (recirculación del aire).
- Bajo unas condiciones de funcionamiento normal (1 ó 2 horas diarias), los filtros de carbón activo tienen que sustituirse dos veces al año.
- El filtro de carbón activo puede adquirirse en el comercio especializado o en nuestra tienda online. Utilizar sólo filtros originales del fabricante.
- Los filtros de carbón activo no incorporan ningún tipo de material o sustancia tóxica o nociva. Por esta razón pueden evacuarse conjuntamente con los desechos domésticos (cubo de basura).

Montar y desmontar el filtro de carbón activo

- 1 Desmontar los filtros antigrasa (véase a este respecto el capítulo «Desmontar y montar los filtros antigrasa metálicos».



- 2 Montar el filtro de carbón activo.
- 3 Enclavar la lengüeta de sujeción.
- 4 Montar los filtros antigrasa (véase al respecto el capítulo «Desmontar y montar los filtros antigrasa metálicos»).

- Ténganse en cuenta las advertencias e instrucciones que se facilitan en el capítulo «Consejos y advertencias de seguridad» antes de proceder a la sustitución de las lámparas.
- La descripción de las operaciones de sustitución de las lámparas son válidas para diferentes modelos de aparato.

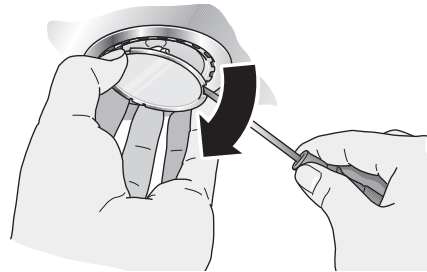
Advertencia: ¡Obsérvense las condiciones de garantía que figuran en el cuaderno de servicio adjunto!

Sustituir las lámparas halógenas

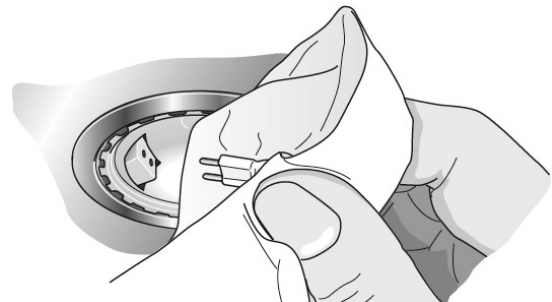
⚠ PELIGRO DE LESIONES

Las lámparas halógenas alcanzan durante su funcionamiento unas elevadas temperaturas. Por ello existe peligro de quemaduras incluso algún tiempo después de haberlas desconectado.

- Las lámparas defectuosas deberán sustituirse inmediatamente a fin de evitar la sobrecarga de las restantes lámparas del aparato.
 - ¡Aguardar a que las lámparas halógenas se hayan enfriado antes de proceder a su sustitución!
- 1 Extraer el cristal protector del emplazamiento con ayuda de una herramienta adecuada.



- 2 Sustituir la lámpara halógena por una lámpara halógena nueva de las mismas características y prestaciones (véase la placa de características del aparato).
Atención: Portalámparas con acoplamiento de clavijas. Para retirar la lámpara, sujetarla con un paño limpio.



Advertencia: ¡No sujetar las lámparas halógenas directamente con los dedos en el bulbo o tubo de cristal! Emplear siempre un paño para manipular la lámpara.

- 3 Colocar el cristal protector en su emplazamiento y encajarlo.
- 4 Restablecer la alimentación de corriente introduciendo el cable de conexión en la toma de corriente o a través del fusible.

Advertencias relativas al montaje

- ¡Ténganse en cuenta estrictamente las advertencias y consejos que se facilitan en el capítulo «Consejos y advertencias de seguridad» antes de proceder al montaje del aparato!

Funcionamiento con evacuación del aire al exterior

- El aire de evacuación se transporta a través de un túnel de ventilación hacia arriba o directamente hacia el exterior, a través de la correspondiente pared.

Advertencia: El aire de evacuación no debe pasar a ninguna chimenea de humos o gases de escape en servicio, ni tampoco a túneles de ventilación de locales con hogares.

- En caso de hacer pasar el aire de evacuación de la campana a una chimenea de humos o gases de escape fuera de servicio, deberá consultarse con el deshollinador del distrito competente.
- Si el aire es evacuado pasando a través de la pared exterior, deberá utilizarse una caja mural telescópica.

La campana extractora alcanza su potencia de funcionamiento óptima mediante:

- un tubo de evacuación corto y recto, con
- un diámetro lo más grande posible.
- En caso de no poder prescindir de los codos, éstos deberán tener el mayor radio posible.

Advertencia: Los tubos de evacuación largos y con desigualdades, así como la utilización de un gran número de tubos y codos de diámetro pequeño (inferior a los 5 7/8"), perjudica el rendimiento óptimo del aparato y provoca un aumento del nivel sonoro del aparato.

- Para la evacuación del aire al exterior sólo podrá emplearse tubos o tuberías flexibles fabricados en materiales no inflamables.
- El fabricante de las campanas extractoras no asume ninguna responsabilidad por las reclamaciones que atribuibles a la planificación o ejecución de los tramos o recorridos de los tubos de evacuación.

Conexión de los tubos de evacuación

- El diámetro de evacuación o deberá inferior a los 5 7/8".
- **Tubos redondos:**
Se aconseja emplear tubos con un diámetro interior de 5 7/8", como mínimo 4 3/4".
- **Los canales planos** deberán poseer una sección interior equivalente a la de los tubos redondos.
No deben presentar ángulos demasiado agudos.
Ø 5 7/8" aprox. 27 1/8" square inch
Ø 4 3/4" aprox. 17 3/4" square inch
- **En caso de usar tubos con diferentes diámetros:**
Colocar una tira estanqueizante.

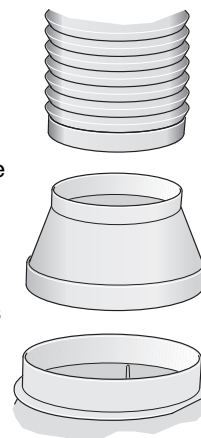
Conexión de tubos de evacuación con diámetro de 5 7/8" (tamaño aconsejado)

- Fijar el tubo de evacuación del aire directamente en el racor de empalme; estanqueizar el empalme debidamente. En caso de emplear tubos de aluminio hay que alisar previamente la zona de empalme.



Conexión de tubos de evacuación con 4 3/4" de diámetro

- Empalmar el tubo reductor directamente en el racor de empalme para la evacuación del aire.
- Fijar a continuación el tubo de evacuación en el racor de empalme para la evacuación del aire.
- Estanqueizar debidamente las dos zonas de empalme.



Conexión eléctrica

- ¡Ténganse en cuenta estrictamente las advertencias y consejos que se facilitan en el capítulo «Consejos y advertencias de seguridad» antes de proceder a la conexión del aparato a la red eléctrica!
- El aparato sólo deberá ser conectado a la red eléctrica por un electricista cualificado, conocedor de las normas vigentes de la empresa local de abastecimiento de energía eléctrica.

PELIGRO DE LESIONES

En caso de resultar dañado el cable de conexión del aparato, éste sólo podrá ser sustituido por el fabricante, por un técnico especializado del Servicio de Asistencia Técnica Oficial de la marca o por una persona debidamente cualificada del ramo con objeto de evitar posibles situaciones de peligro.

- La campana extractora sólo podrá conectarse a una toma (caja) de corriente instalada correctamente y provista de puesta a tierra.
- La toma de corriente deberá encontrarse o montarse directamente detrás del revestimiento decorativo de la campana.
- La toma (caja) de corriente deberá poseer un circuito de corriente propio.
- En caso de que, tras el montaje de la campana, la toma de corriente no fuera accesible, deberá instalarse un dispositivo de separación como en el caso de una conexión fija.

En caso de necesitar una conexión fija a la red eléctrica

- Hay que prever un dispositivo de separación en la instalación. Como dispositivo de separación se admiten interruptores con una abertura de contacto superior a $1/8$ " y desconexión de todas las fases. Esto incluye interruptores LS y contactores.

Características de conexión a la red eléctrica

Los datos necesarios figuran en la placa de características situada en el interior del aparato, al que se puede acceder retirando el filtro antigrasa.

Longitud del cable de conexión a la red eléctrica: 47".

La campana extractora cumple las normas comunitarias en materia de radiodesparasitaje.

Montaje

La presente **campana extractora** ha sido diseñada para el montaje en el techo normal de la cocina o en techos suspendidos de gran robustez y estabilidad.

- Al proceder al montaje del aparato deberán tenerse en cuenta la existencia de posibles accesorios opcionales o elementos complementarios.
- Obsérvense estrictamente las distancias mínimas entre las zonas de cocción y la campana (véase a este respecto el capítulo «Instrucciones de seguridad»).
- ¡Prestar atención a no dañar las superficies delicadas del aparato!

Preparativos en el techo

PELIGRO DE LESIONES, PELIGRO DE DAÑOS MATERIALES

Cerciorarse antes de proceder a realizar los taladros en el lugar de montaje seleccionado si por éste discurren tuberías (eléctricas, de agua, etc.) empotradas.

- El techo tiene que ser liso y plano.
- Los tornillos y tacos suministrados con el aparato son adecuados para hormigón y piedra natural. Para techos con otro tipo de construcción deberán procurarse los tornillos y tacos específicamente adecuados. Prestar atención a la capacidad de sustentación del techo.
- Prestar atención a que la profundidad de los taladros corresponde a la longitud de los tornillos.
- Cerciorarse del asiento firme y seguro de los tacos.

Máximo peso: 110 lbs.

Nos reservamos el derecho de introducir modificaciones o cambios constructivos en los aparatos como consecuencia del progreso técnico.

Nota: Al menos un tornillo debe instalarse a través de un pasador.

Atención:

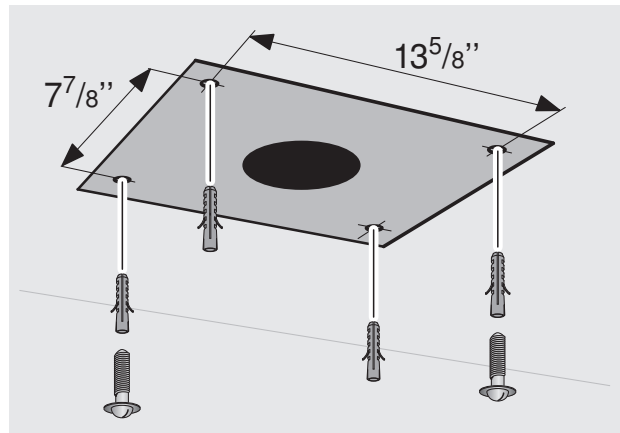
La campana extractora de vaho está prevista para el montaje en el techo de la cocina o en un falso techo colgando resistente. Tenga en cuenta el peso de la campana extractora con accesorio de máximo 50 kg / 110 lbs.

Asegúrese antes de marcar los orificios de fijación de que no pasan tuberías de agua o conducciones eléctricas o demás líneas en el techo en los puntos de taladrado.

Compruebe antes del montaje si los tacos adjuntos y los tornillos son los apropiados para el techo. Utilice en caso necesario tacos especiales.

Montaje de la campana extractora:

- 1 Marque con la ayuda de la plantilla de taladros las posiciones de los tornillos en el techo.

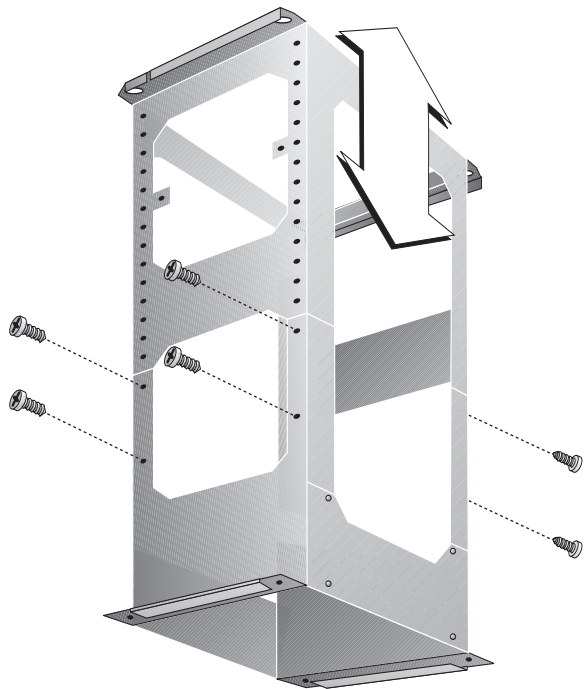


- 2 Taladre 4 orificios de $\varnothing 5/16$ " para los tacos. Inserte los tacos hasta que queden al rás.
- 3 Atornille los dos tornillos hasta que quede unos $3/8$ " de hueco. Enrosque los dos tornillos en los puntos en los cuales se encuentran ubicados para el montaje posterior los orificios de llave en el bastidor de soporte (posterior izquierda y anterior derecha visto desde el panel de mando de la campana).

- 4 Ajuste la altura deseada del bastidor de soporte y atornille firmemente los 8 tornillos (o bien 12 tornillos en caso de versiones de chimeneas más largas). La longitud del soporte del bastidor puede ajustarse con una retícula de $13/16''$.

Importante:

Preste atención a la separación mínima entre la campana extractora y los puntos de cocción eléctricos de 30" o bien de 30" en los puntos de cocción a gas.

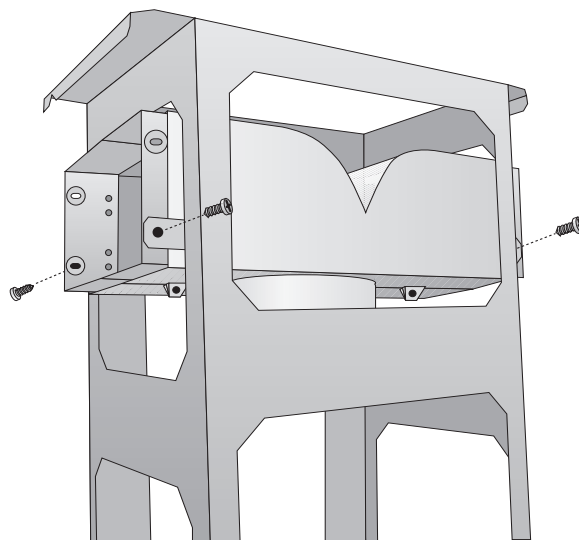
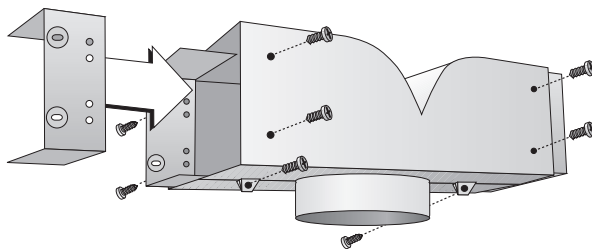


Sólo para aire de recirculación: Doble las cuatro pestañas para la fijación del desvío del aire de recirculación en la parte superior del bastidor de soporte, en unos 90° hacia el exterior.

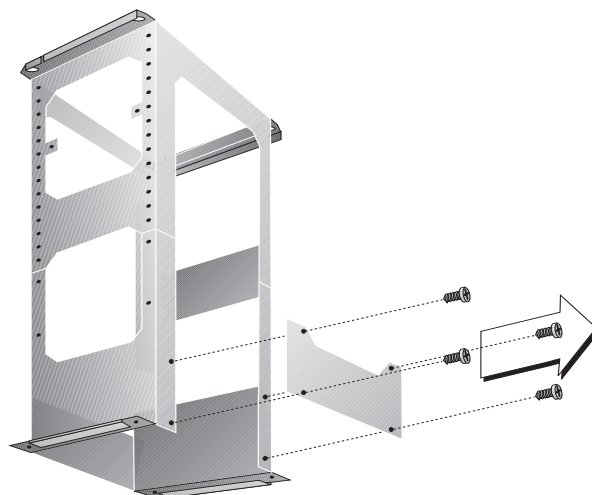


- 5 Cuelgue el soporte del bastidor con los dos orificios de tornillos a los tornillos del techo. Fije el bastidor de soporte con las cuatro tuercas en el techo.

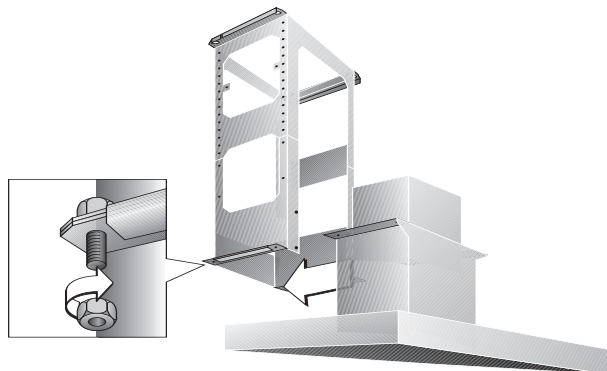
Sólo para aire de recirculación: Sólo para aire de recirculación: Ensamblar el desvío del aire de recirculación y fijarlo en el bastidor de soporte. Acortar el tubo flexible del aire de escape a la longitud adecuada y fijarlo sobre la capota.



- 6 Retire la cubierta de chapa en la parte posterior del bastidor de soporte.

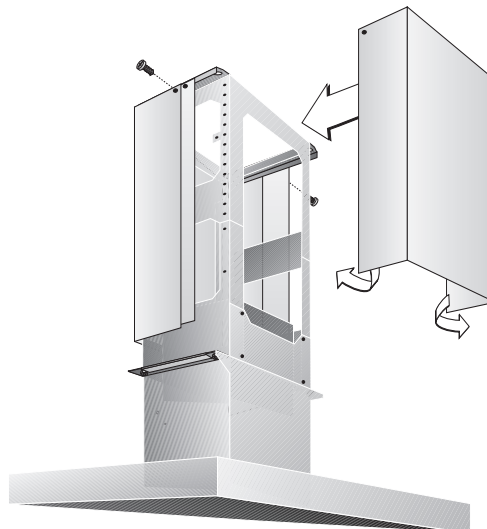


- 7 Deslice la campana de extracción dentro de las pestañas laterales (Atención: No aplastar el cable de conexión) y asegure la campana de inmediato con 4 tornillos.

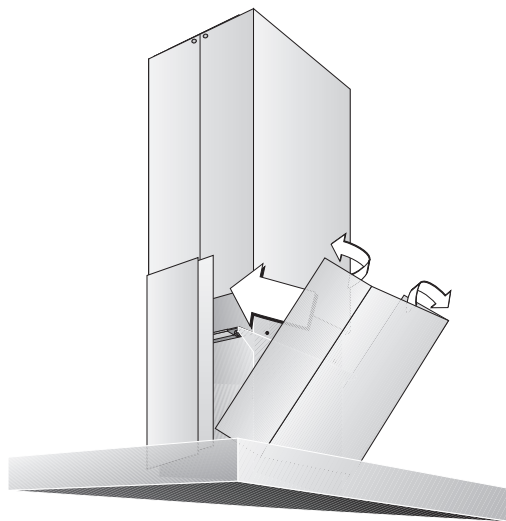


- 8 Atornille firmemente la cubierta de chapa en la parte posterior del bastidor de soporte. La cubierta de chapa es importante para la estabilidad.
- 9 Sujete el tubo de aire de escape en la campana de extracción de vahos y en la conexión para el aire en el lado de techo o bien desvío de aire para funcionamiento de recirculación de aire.
- 10 Establezca la conexión eléctrica.
- 11 Retire la lámina de protección del embellecedor de la chimenea, siempre que aún este colocada.
- 12 Preste atención durante el montaje del revestimiento de chimenea de no arañar la superficie sensible.
- 13 Fije la parte superior de la chimenea sin tiras magnéticas con 2 tornillos en la parte superior del bastidor de soporte.

- 14 Abra ligeramente la segunda mitad superior de chimenea (con tiras magnéticas) y deslízala sobre la primera mitad de chimenea, alinear (sin ranura), y fijar con 2 tornillos en la parte superior del bastidor de soporte.


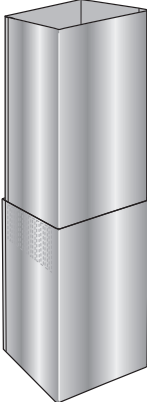

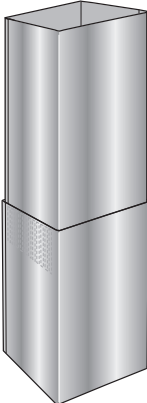
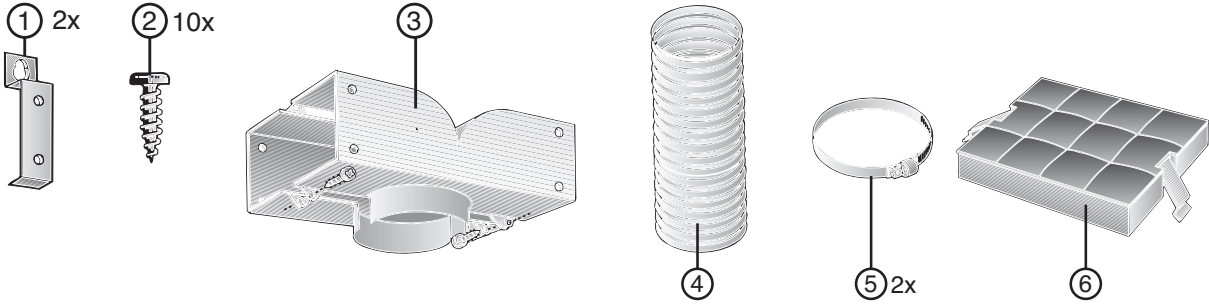
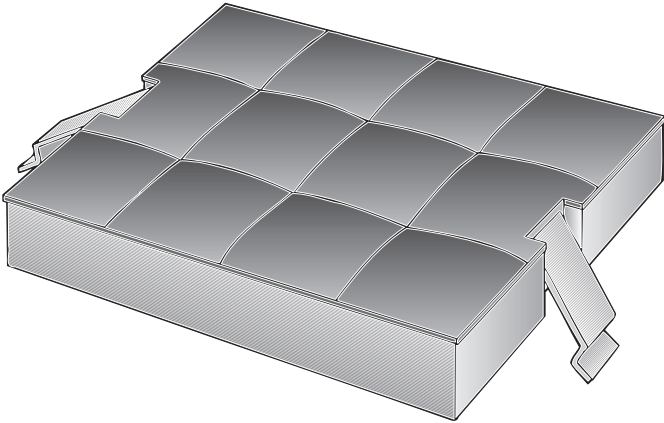


- 15 Coloque la parte inferior de la chimenea inferior sin tiras magnéticas sobre la campana de extracción de vahos. Doblar ligeramente hacia arriba la segunda mitad de la chimenea (con tiras magnéticas) deslízala sobre la primera mitad de chimenea y alinear (¡Sin fisura!).



- 16 **Sólo para aire de recirculación:** Inserte un filtro de carbono activo. El filtro de carbono activo no está contenido en el volumen de suministro.
- 17 Compruebe el correcto funcionamiento del aparato.

Indicación: Para el desmontaje de las mitades de chimenea estirar ligeramente con las manos. No utilice herramienta ya que podría conllevar daños en la chimenea.

	<p>AD010016</p>		<p>AD010026</p>
	<p>AD010126</p>		<p>AD010136</p>
 <p> ① 2x ② 10x ③ ④ ⑤ 2x ⑥ </p>			
			<p>KF001-010</p>

Gaggenau
5551 McFadden Avenue
Huntington Beach, CA 92649
Telephone: 877.4GAGGENAU
USA
www.gaggenau-usa.com

Gaggenau Hausgeräte GmbH
Carl-Wery-Straße 34
81739 München
Germany
www.gaggenau.com

9000520492 EB 9003



GAGGENAU