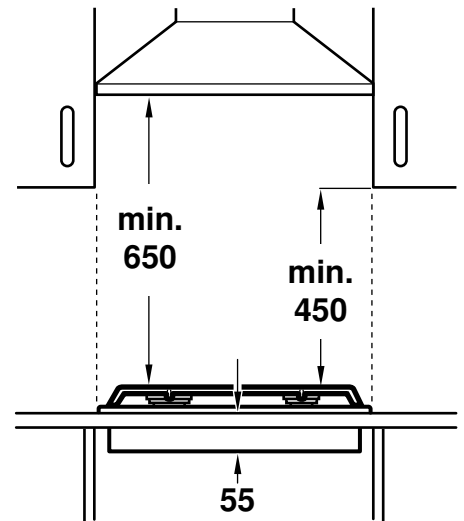
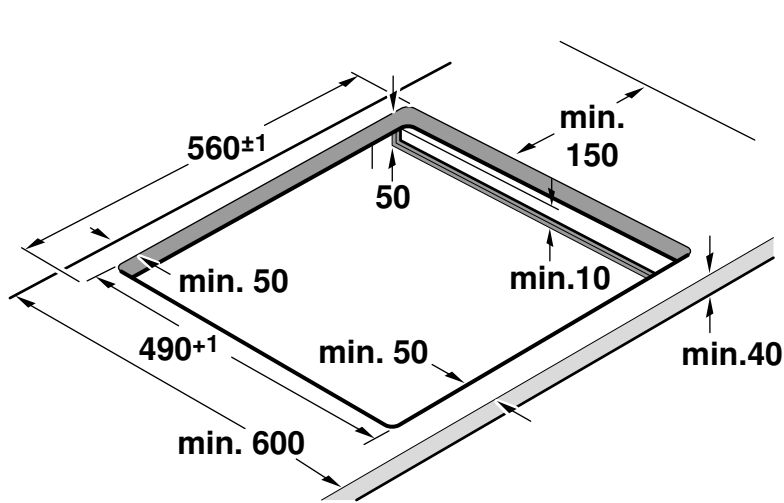
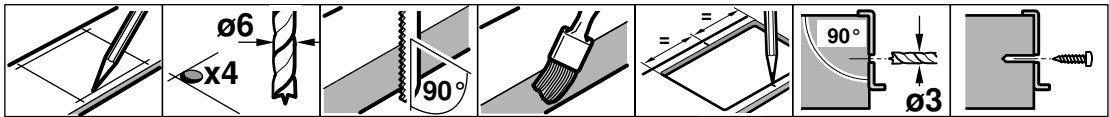
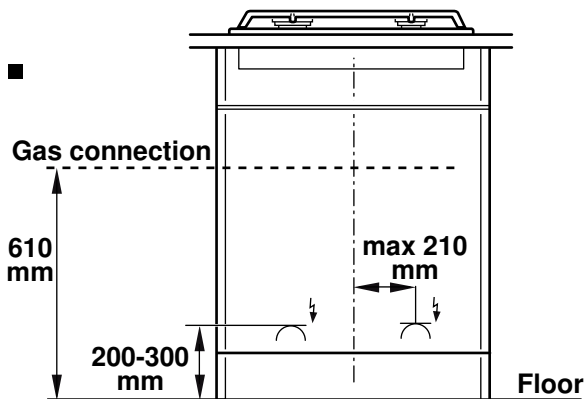


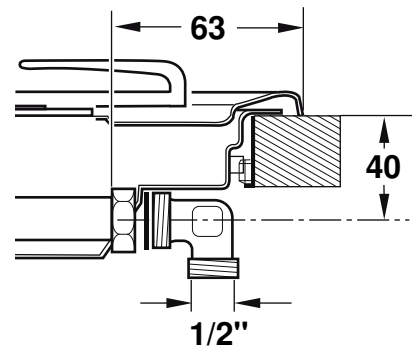
1.



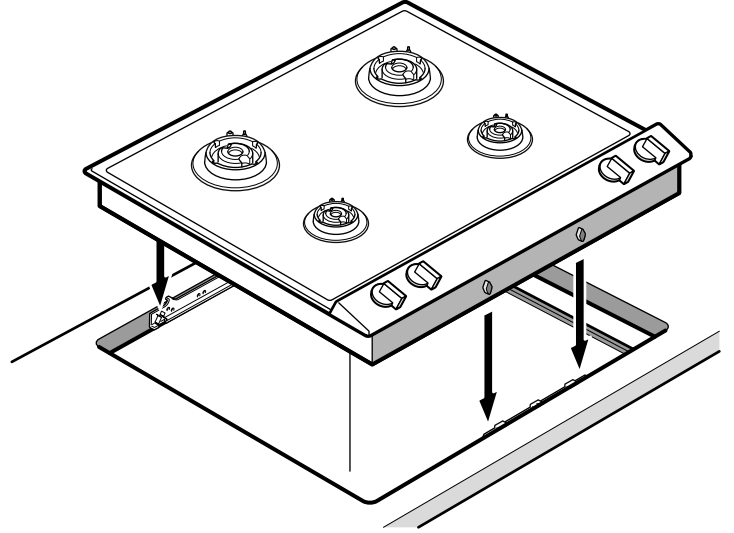
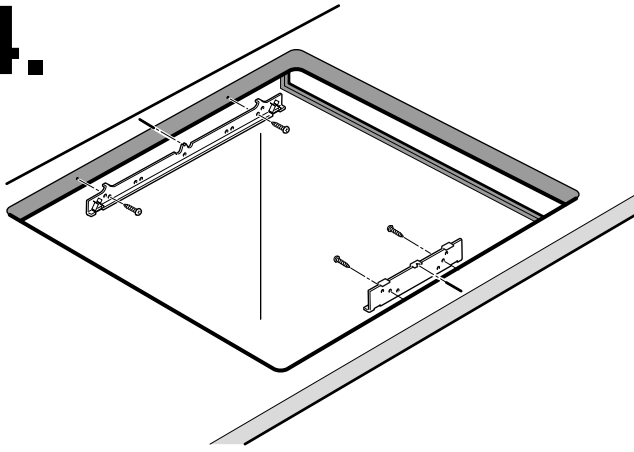
2.



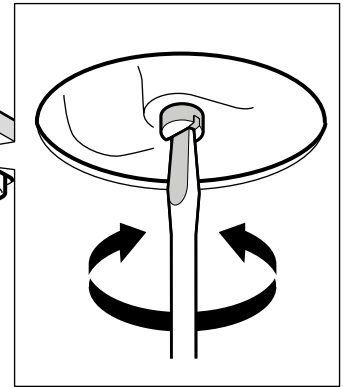
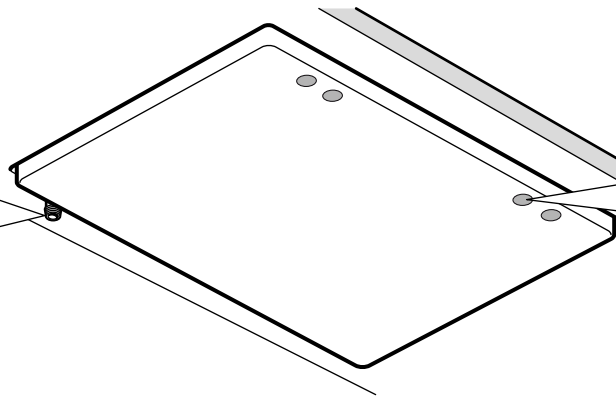
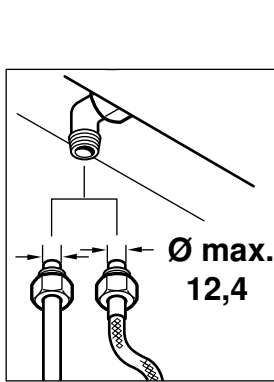
3.



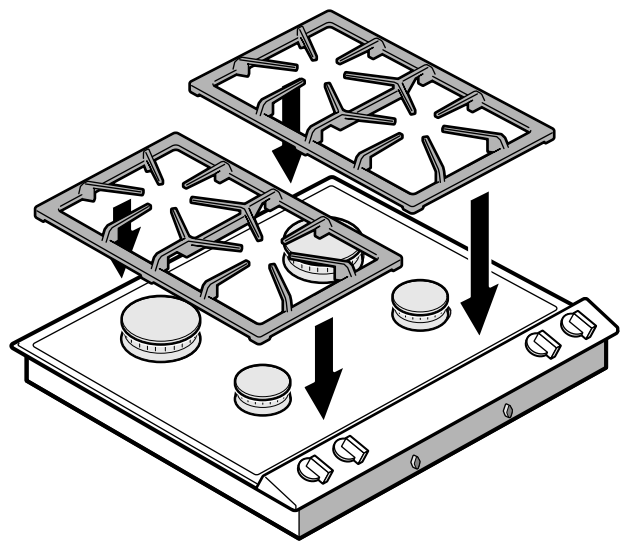
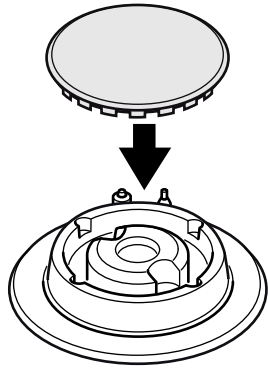
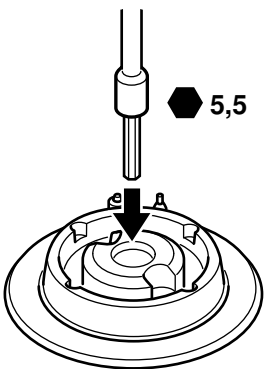
4.



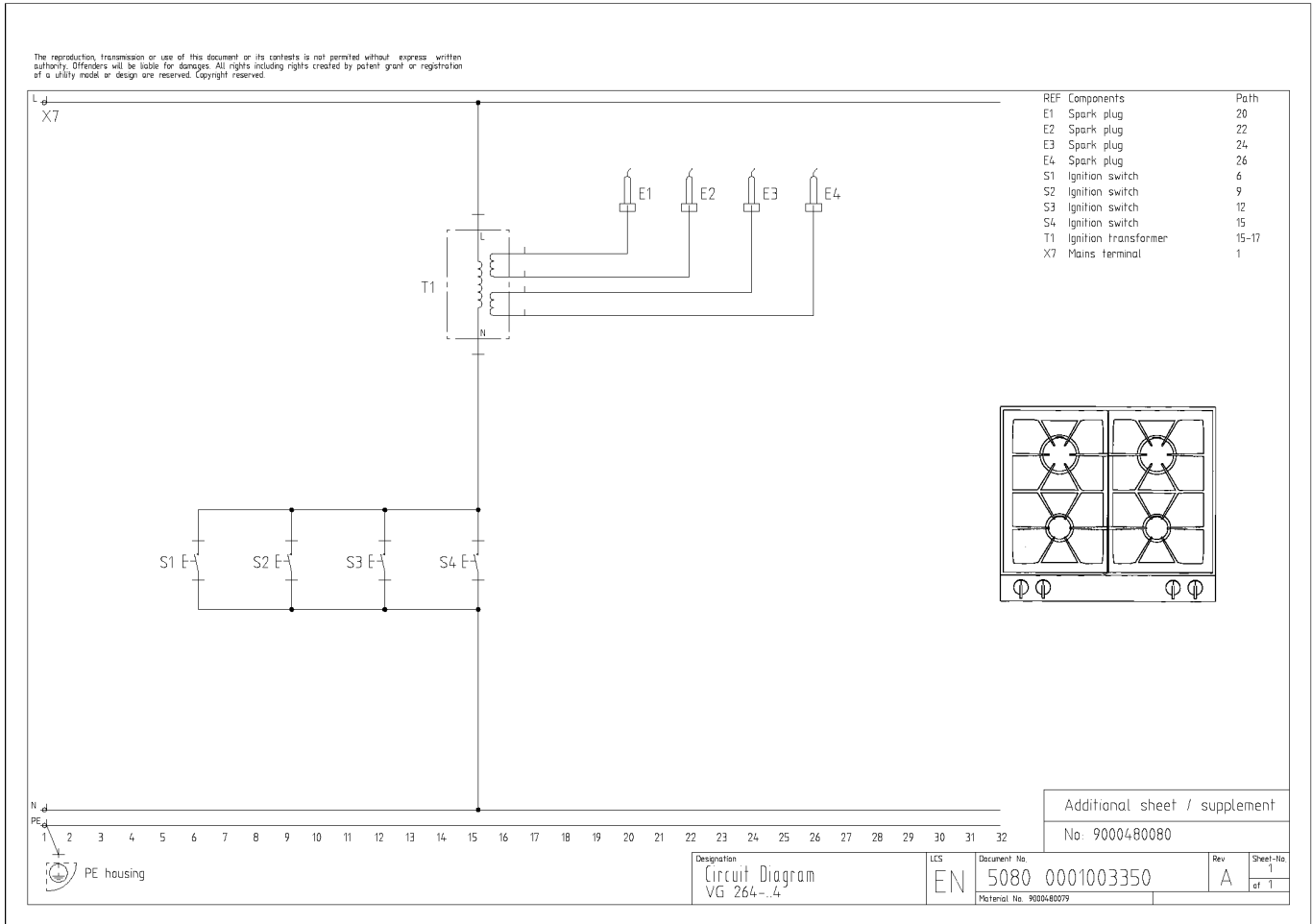
5.



6.



The reproduction, transmission or use of this document or its contents is not permitted without express written authority. Offenders will be liable for damages. All rights including rights created by patent grant or registration of a utility model or design are reserved. Copyright reserved.



en

Important notes

Read these instructions carefully and keep them in a safe place. Safety during use can only be ensured if the appliance is fitted correctly according to these installation instructions. The installer is responsible for ensuring that the appliance operates perfectly at the point of installation.

The appliance must be connected to the mains only by an authorised person.

Before carrying out any type of work, turn off the electricity and gas supply.

Statutory regulations

This appliance shall be installed in accordance with the manufacturer's installation instructions, local gas fitting regulations, municipal building codes, electrical wiring regulations and AS/NZS 5601.1 the Australian Standard for gas installations. Refer also to AS/NZS 5601.1 for pipe sizing tables.

Before connecting the appliance, please check whether the local connection conditions such as the gas type, gas pressure and mains voltage and the appliance settings are correct. Refer to the data plate located on the hob base for the necessary information.

For conversion to another type of gas, please call the after-sales service.

⚠ Risk of gas escape!

After connecting the appliance to the gas supply, always check the connection for leak tightness. The manufacturer accepts no responsibility for the escape of gas from a gas connection which has been previously tampered with.

Ensure sufficient air exchange in the room where the appliance is installed. Up to 11 kW total output:

- Minimum volume of the room where appliance is installed: 20 m³
- A door leading to the open air or a window which can be opened.

Up to 18 kW total output:

- Minimum volume of the room where appliance is installed: 2 m³ per kW total output.
- A door leading to the open air or a window which can be opened.
- An extraction hood into the open air. Minimum displacement volume of extraction hood: 15 m³/h per kW total output.

The plug must remain accessible after installation is complete. Do not kink or trap the mains connection cable. The appliance must be fitted according to the installation drawing.

A minimum clearance of **260 mm** from the periphery of the burner to a rear or side horizontal combustible surface must be maintained. **If clearance is less than 260 mm** then that surface must be non-combustible or be protected in accordance with AS/NZS 5601.1 clause 6.10.1.2

Overhead clearances

Rangehoods and exhaust fans shall be installed in accordance with the manufacturers instructions. However, in no case shall the clearance between the highest part of the burner and the underside of the rangehood be less than **650 mm** or for a overhead exhaust fan, **750 mm**.

This appliance is not intended for operation with an external timer or an external remote control. Do not install this appliance on boats or in vehicles.

Preparing the furniture

The surrounding kitchen unit must be heat-resistant to at least 90 °C. The stability of the unit must be maintained after producing the cut-out.

Produce the cut-out for one or several Vario appliances. Proceed as shown in the installation sketch. The angle between the cut surface and the worktop must be 90°.

After producing the cut-out, remove the shavings. Seal the cut surfaces to make them heat-resistant.

Observe a minimum clearance between the appliance housing and parts of the unit of 10 mm.

When fitting several Vario appliances: allow for the additional space required for the connecting strip VV 200. Appliances can also be fitted in individual recesses, if a minimum clearance of 40 mm between the appliances is observed.

Fitting the appliance

1. Mark the centre of the recess exactly. Fit the short mounting rail to the front of the recess and the long mounting rail to the rear of the recess. Make sure the lugs of the mounting rails lie on the worktop. The centre marking on the mounting rails must be precisely flush with the centre marking of the recess.

Note: when fitting the appliance in a stone worktop glue on the mounting rails with a temperature-resistant two-component adhesive (metal on stone).

2. For combination with the appliance cover VD 201: secure the appliance cover on the appliance before installation (refer to the installation manual of VD 201).

3. Lower the appliance into the cut-out. The snap-in pins on the appliance must lie exactly on the catch springs. Firmly press the appliance into the cut-out. **The pins on the appliance must snap into the catch springs.**

Removing the appliance

Disconnect the appliance from the power and the gas supply. Push out the appliance from below.

Caution!

Risk of damage! Do not lever out the appliance from above.

Gas connection

The supply connection point shall be accessible with the appliance installed.

Using the R $\frac{1}{2}$ " (for appliance side) connection elbow provided, connect the appliance with the associated gasket to a fixed connection pipe. For natural gas the regulator must be connected.

If using a flexible connection

This appliance is approved for connection by a CLASS B hose. Connection is in compliance with AS/NZS 5601.1

There are two ways to carry out the connection to the main gas line:

- A: The hotplate can be connected with rigid pipe.
- B: Flexible Hose: If installing with a hose assembly, install with a hose assembly that complies with AS/NZS 1869 (AGA Approved), 10 mm ID, class Bor D, no more than 1.2 m long and in accordance with AS/NZS 5601.1. Ensure that the hose does not contact the hot surfaces of the hotplate, oven, dishwasher or any other appliance that may be installed underneath or next to the hotplate. The hose should not be subjected to abrasion, kinking or permanent deformation and should be inspected along its entire length with the cooktop in the installed position. Unions compatible with the hose fittings must be used and all connections tested for gas leaks.

Before leaving - check all connections for gas leaks with soap and water. DO NOT use a naked flame for detecting leaks. Ignite all burners both individually and concurrently to ensure correct operation of gas valves, burners and ignition. Turn gas taps to low position and observe stability of the flame for each burner individually and all together.

Adhere the duplicate data plate to an accessible location near to the cook top. When satisfied with the cook top, please instruct the user on the correct method of operation. In case the appliance fails to operate correctly after all checks have been carried out, refer to the authorised service provider in your area.

Electrical connection

Check that the appliance has the same voltage and frequency as the electrical installation system.

The hob is delivered with a mains cable and 3 pin moulded plug.

Only connect the appliance to sockets which have been fitted and earthed according to regulations.

The appliance corresponds to type Y: the mains connection cable must only be replaced by the after-sales service. Check the cable type and minimum cross section.

Technical data / nozzle table

Total connected load electric 0.8 VA

Nozzle table

Gas	Natural Gas	Propane Gas
Pressure	1.0 kPa	2.75 kPa
A-burner full burn	118	74
A-burner low burn	58	36
B-burner full burn	148	87
B-burner low burn	68	42
Total connected load	34.0 MJ (9.4 kW)	31.4 MJ (8.7 kW)
Total consumption	0.9 m ³ /h	680 g/h

Conversion to another type of gas

This gas hob corresponds to the categories specified on the rating plate. It is possible to convert the appliance to any of the gases listed on the plate by changing the nozzles. The modification kit can be ordered via our after-sales service. Depending on the model the parts required may be included in the scope of delivery.

The conversion must be carried out by an authorised person. Before carrying out the conversion, turn off the electricity and gas supply.

Changing the low burn nozzle – fig. 5:

1. Remove the cover from the underside of the appliance under the gas valves. The low burn nozzle is located in the gas valve and is screwed in from below.
2. Unscrew the nozzle and insert the new nozzle as specified in the low-setting nozzle table. The nozzle must be screwed in fully.
3. Fit the cover cap again.

Changing the full burn nozzle – fig. 6:

1. Remove the pan supports and burner lids.
2. Change the nozzles. Care should be taken to ensure that the nozzles do not break off when screwed in or out.
3. Screw the new nozzles in as far as they will go to achieve a good seal.
4. Replace the pan supports and burner lids, checking that they are correctly positioned.

If it should be necessary to correct the low-setting nozzle as the result of deviating gas types and pressure, the flow rate can be increased by turning to the left.

These burners do not require the primary air to be adjusted.

Checking functions after the conversion:

The flames are adjusted correctly if no yellow tips are visible and if they do not go out when switching over swiftly from the high to the low setting.

Note: stick the adhesive label included with the nozzle set over the rating plate of the appliance to document the changeover to a different gas type.