

RY 492

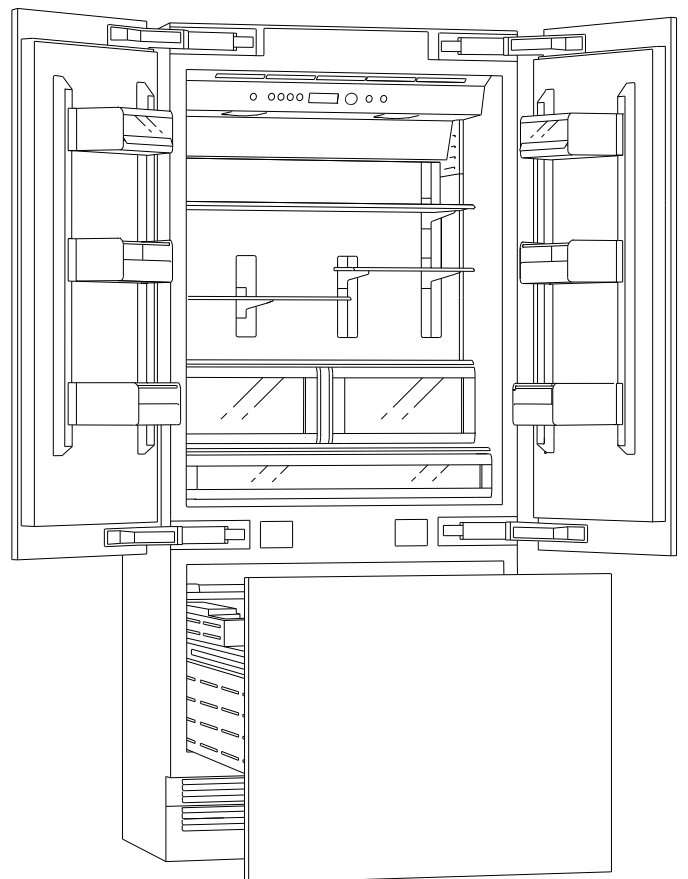


Table of Contents

Safety and warning information 4

Installation possibilities 5

Stand alone appliance 5

Stand alone appliance with dividing wall 5

Stand alone appliance as an end section
to a row of kitchen units 5

Free-standing 5

Installing the appliance 6

Installation location 6

Atmosphere grades 6

Stable installation 6

Installation niche 6

Neighbouring kitchen furniture 6

Subsurface 6

Aligning the appliance 6

Electrical connection 7

Water connection 7

Dimensions of the Installation Niche 8

Tools and Accessories which are needed 9

Scope of delivery 9

Additional accessories 9

Miscellaneous 9

Tools 9

Installation manual 10

1. Check the installation niche 10

2. Removing the packaging 10

3. Transporting the appliance 11

4. Installation preparation 11

5. Special installation steps 11

A

1. Attaching the anti-tipping brackets
to the wall 12

2. Attaching alternative anti-tilt device 13

3. Attaching the edge protectors 13

B

1. Sliding the appliance into
the installation niche 14

2. Adjusting the appliance
in the niche 15

3. Fastening the appliance
to the niche ceiling 16

4. Fastening the appliance to the side wall
of the installation niche 16

5. Checking that the finger protector
moves easily 17

C

1. Fastening the plinth strip 18

2. Aligning the base cover 18

3. Switching the appliance on
for the first time 19

4. Preparing the furniture doors 19

5. Loading the appliance door 19

6. Removing positioning aids 19

7. Fastening the adjusting rib to the
furniture door (refrigerator
compartment) 20

8. Fastening the fixing rib to the
furniture door (refrigerator
compartment) 20

9. Fastening the adjusting rib to the
furniture door (freezer
compartment) 21

10. Fastening the fixing rib to the furniture
door (freezer compartment) 21

11. Mounting the furniture door
(freezer compartment) 22

12. Mounting the furniture doors
(refrigerator compartment) 23

13. Screw on the lower fixing angle 24

D

1. Fasten the finger protector 25

2. Attaching the covers 25

3. Mounting the air filter 26

4. Tensioning the hinge springs
(refrigerator door) 26

Special installation steps 27



Preparing the water connection 27

Connecting the appliance
to the water supply 27

Setting the door opening angle
(refrigerator compartment door) 28

Safety and warning information

These mounting instructions are designed to help you install your new appliance.

The manufacturer cannot be held liable for mounting which has been improperly carried out. We recommend that you allow a qualified specialist to set up and switch the appliance on for the first time.

Following all information and keeping to the instructions are preconditions for mounting and switching the appliance on safely for the first time.

Keep the mounting instructions safe for use later on.

Before setting up and switching the appliance on for the first time, read the mounting instructions fully and thoroughly.

Warning

The appliances are very heavy and must be secured from tipping when transporting, when mounting and when operating. It is absolutely necessary to fit an anti-tip device.

Keep the doors closed until the appliance has been mounted completely and secured according to the instructions in these mounting instructions.

Because of the weight/dimensions of the appliance and to minimise the risk of injuries and damage to the appliance at least two persons are necessary to set-up the appliance securely.

Use the appliances according to the prescribed application.

Pull out the plug or remove the fuse before commencing work on the appliance.

Only customer service may change the power cord and carry out any other repairs. Improper installations and repairs may put the user at considerable risk.

Apart from statutory national regulations, you should stick to the connection terms relating to the local electricity and water companies.

Warning

Setting up and mounting this appliance requires extensive expertise in various trades (mechanics, carpentry, plumbing, electricians).

It is the duty of the person setting the appliance up to guarantee that it is set up and commissioned securely.

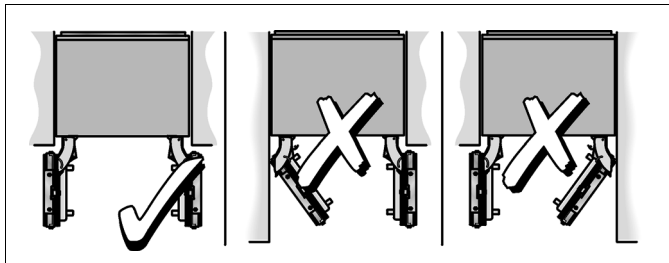
Mistakes in setting the appliance up and damage resulting from this do not come under the warranty of the manufacturer. Terms of guarantee are found in the operating instructions of the appliances.

Installation possibilities

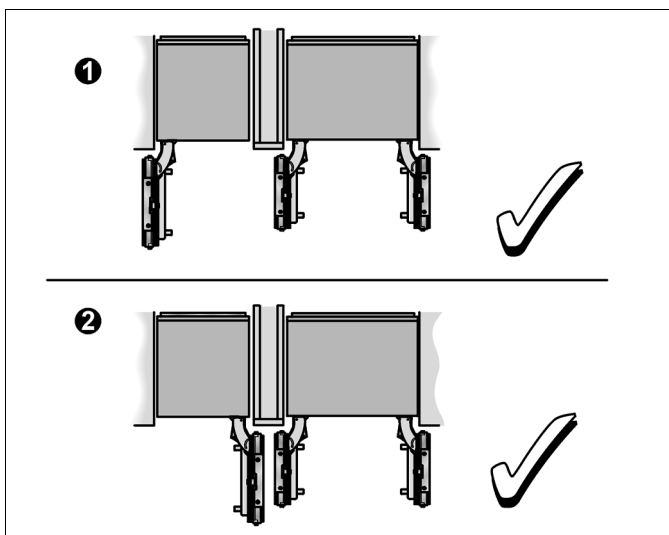
Various installation possibilities are available.

These are only limited by the kitchen design and the finger protector function.

Stand alone appliance



Stand alone appliance with dividing wall



- When measuring the dividing wall for model 2, pay attention to the thickness of the furniture front to be mounted in order to avoid damage when opening doors at the same time.
- If the distance between the appliances is less than 160 mm, the auxiliary side heater must be used.
For further information see section "Tools and Accessories which are needed".
- The minimum thickness of the dividing walls is 16 mm.

Stand alone appliance as an end section to a row of kitchen units

If a side of the appliance is visible, use a side covering.

The side covering must be connected firmly to the wall, the floor and the upper cupboards before the appliance is slid into the installation niche.

The dimensions of the side covering are governed by the opposing niche wall. During installation, make sure that the installation niche has right angles and has the exact size necessary for the appliance(s).

Free-standing



In conjunction with the accessory kit RA 423 910 (separate installation instructions for the appliance).

Installing the appliance

Installation location

⚠ Caution:

A fully laden appliance is heavy.
Weight (laden): 540 kg

The appliance should be installed in a dry, well ventilated space.

The location should not be exposed to the direct sunlight and should not lie next to a source of heat such as a cooker or a radiator etc. If installation next to a source of heat cannot be avoided, either a suitable insulating plate should be used or you should keep to the following minimum distances:

- 3 cm to electric or gas cookers.
- 30 cm to an oil-fired or solid-fuel cooker.

The floor of the installation location must not give way; if required, reinforce floor. To ensure that the ice maker functions correctly, the appliance must be upright.

Atmosphere grades

The climate class can be found on the rating plate. The climate class indicates within which ambient temperatures the appliance can be operated.

Climate class	Permitted ambient temperature
SN	+10 °C to 32 °C
N	+16 °C to 32 °C
ST	+16 °C to 38 °C
T	+16 °C to 43 °C

Stable installation

The appliance is very heavy and has a tendency to tilt forwards when the appliance door is opened. The appliance must not be switched on until there is no possibility of the appliance tilting over.

The safest method of installing the appliance in a stable position is to use the supplied anti-tilt brackets.

If the installation cavity is adequately stable and the appliance can be attached securely to the upper and side walls of the cavity, it may be possible to dispense with the anti-tilt brackets. A prerequisite for this is always a firm connection between the cavity and back wall!

In the case of doubt, the help of architect or specialist builder should be enlisted.

Installation niche

It is important to keep to the stated dimensions of the installation niche with a view to trouble-free fitting, and the subsequent appearance of the kitchen furniture frontage.

Special care should be taken that the niche has right angles. The side walls should not exhibit areas that stick out, projections or unevenness.

You should determine the right angles of the installation niche with appropriate means, e.g. by measuring diagonally and by using a spirit level.

The side walls and the upper end of the installation niche must be at least 16 mm thick.

Neighbouring kitchen furniture

The new appliance is screwed down tightly using parts of the cabinet and the upper cabinet.

Care should therefore be taken, that all upper cabinets to which something has been fastened are securely connected to the subsurface or wall by appropriate means.

The thickness of the base should be a minimum of 19 mm.

Subsurface

⚠ Caution:

A fully laden appliance is heavy.
Weight (laden): 540 kg

The subsurface must be level and even in order to ensure that the appliance is securely installed and works correctly.

The subsurface must be made from a hard, non-flexible material.

The floor of the installation space must have the same height as the rest of the space.

On account of the weight of a fully-laden appliance, it is necessary to have a bearing subsurface. In the case of doubt, the help of architect or specialist builder should be enlisted.

Aligning the appliance

To ensure that the appliance functions correctly, it must be set level with a spirit level.

If the appliance is not level, water may flow out of the ice maker, ice cubes may be irregular or the doors may not close properly.

Electrical connection

The socket must be near the appliance and also freely accessible following installation of the appliance.

The appliance complies with the protection class I. Connect the appliance to 220-240 V/50 Hz alternating current via a correctly installed socket with protective conductor. The socket must be fused with a 10 to 16 A fuse.

For appliances operated in non-European countries, check whether the stated voltage and current type match the values of your mains supply match the values of the mains supply. These specifications can be found on the rating plate.

Warning:

Never connect the appliance to electronic energy saver plugs. Our appliances can be used with mains and sine-controlled inverters.

Mains-controlled inverters are used for photovoltaic systems which are connected directly to the power supply system.

Sine-controlled inverters must be used for isolated applications (e.g. on ships or in mountain lodges) which are not connected directly to the national grid.

Water connection

The water may be connected only by a competent fitter according to the local regulations of the appropriate water supply company.

The tap must be near the appliance and also freely accessible following installation of the appliance.

The enclosed hose set is 2 metres long.

Caution:

Use only the enclosed hose set or a hose set purchased from customer service for connection to the drinking water mains.

Do not use existing or already used hose sets.

Connect the appliance to a drinking water line only:

- Minimum pressure: 0.2 Mpa (2 bar)
- Maximum pressure: 0.8 Mpa (8 bar)
- If the pressure is above 0.8 MPa (8 bar): install a pressure limiter between drinking water connection and hose set.

A separate shut-off valve should be installed in the cold-water inflow. The shut-off valve should not be located behind the appliance. It is recommended that you mount the shut-off valve directly next to the appliance or at another place which is easily accessible.

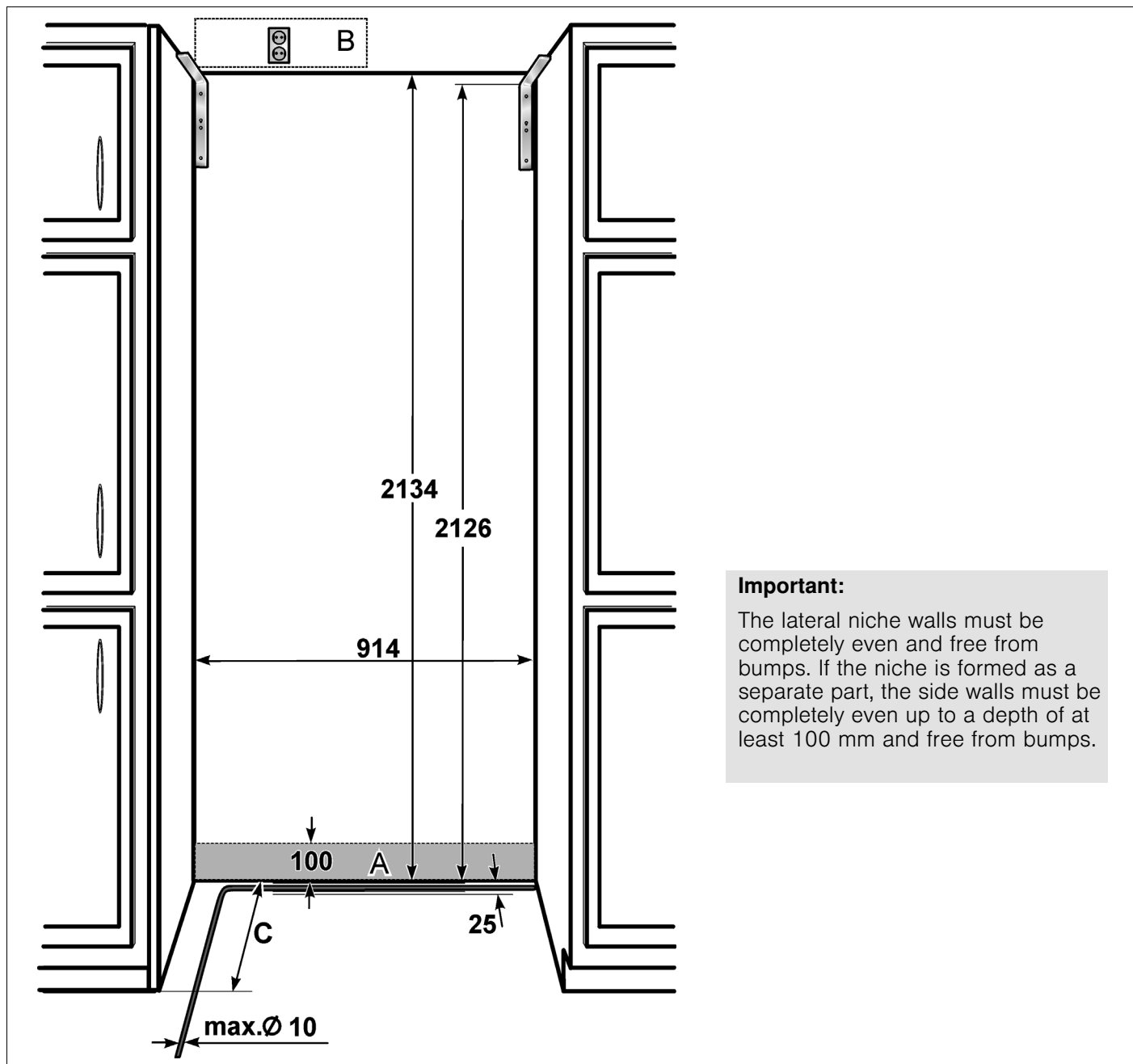
When installing the water connection, pay attention to the permissible installation area for the water mains. For more information concerning the permissible installation areas, see the section "Dimensions of the Installation Niche".

For connection to the drinking water mains use only water pipes which are suitable for drinking water. Observe national regulations and the connection conditions of the local water supply companies.

Note:

The maximum outside diameter of the water mains (without connecting pieces) is 10 mm.

Dimensions of the Installation Niche



Important:

The lateral niche walls must be completely even and free from bumps. If the niche is formed as a separate part, the side walls must be completely even up to a depth of at least 100 mm and free from bumps.

Key:

- A Area for installation of the water connection
- B Area for installation of the electric current
- C Depth of the installation niche, depending on the kitchen design
C = 610 mm minimum!

Tools and Accessories

which are needed

Scope of delivery

- Installation manual
- Operating instructions
- Installation accessories

Additional accessories

Lateral additional heating

Necessary when the distance between two appliances is less than 160 mm.

Connecting element for furniture doors

For connecting two furniture doors (see explanation in Section "C/4. Preparing the furniture doors"). It can be used for standard height furniture doors without any preparation work.

Miscellaneous

- Step ladder
- Trolley, wheelbarrow or sack barrow
- Hammer drill for drilling holes into the wall and floor
- Various size drills for various materials
- Wood plank, (min. 8 x 10 cm) as an alternative anti-tip device. Length should correspond to the width of the installation niche.
- Various size wood screws
- Screw (M8, at least 80 mm long), nut
- Thin (1.5 mm), material suitable for protecting the floor against damage (e.g. linoleum)
- Suitable material for covering and protecting the cabinets (e.g. protective film)
- Adhesive tape

Note:

Before using, check whether the removed adhesive tape leaves adhesive residue on the work surfaces! Otherwise do not use on high-quality work surfaces.

Tools



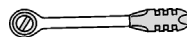
Rechargeable screwdriver



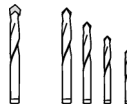
T20 Torx-bit + magnetic holder



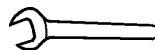
T20 Torx screwdriver



Socket wrench, 8 mm



Various size drills



Fixed spanner SW 13 mm



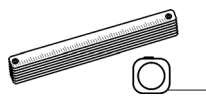
Water pump pliers



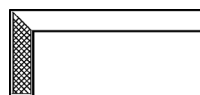
Adjustable spanner



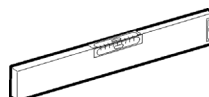
Knife with an adjustable blade



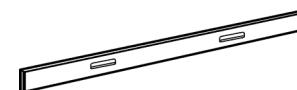
Metal tape measure, folding ruler



Angle of contact



60 cm and 120 cm spirit levels



Level, min. 120 cm long

Installation manual

The following mounting instructions describe mounting steps for various appliance models.

Therefore, deviations may occur from that shown in the diagrams.

Reference is made to specific mounting steps for individual appliances.

1. Check the installation niche

⚠ Caution:

Before starting the installation, check carefully that the installation cavity meets the requirements for a secure and trouble-free installation:

1. Check the subsurface.
Follow the notes in the section "Installing the appliance".
2. Check the dimensions of the niche.
3. Re-examine whether the niche has right angles.
4. Re-examine the positioning of the plug.
Additionally follow the instructions in the sections "Electrical Connection" and "Dimensions of the Installation Niche".
5. Check the positioning of the water connection (for appliances with ice maker)
Additionally follow the instructions in the sections "Water connection" and "Dimensions of the Installation Niche".
6. Re-examine the stability and fastening of the neighbouring cabinet parts. All cabinet parts in the vicinity of the appliance have to be firmly connected to the wall.
7. Re-examine that when opening the appliance door, it does not collide with neighbouring kitchen parts (for door opening angle).

2. Removing the packaging

⚠ Warning:

- The appliance could tip over when unpacking.
- The appliance could tip over when the appliance door is opened.
- The appliance is very heavy.
- Weight (empty): 230 kg

Risk of personal injury and damage to the appliance!

Note:

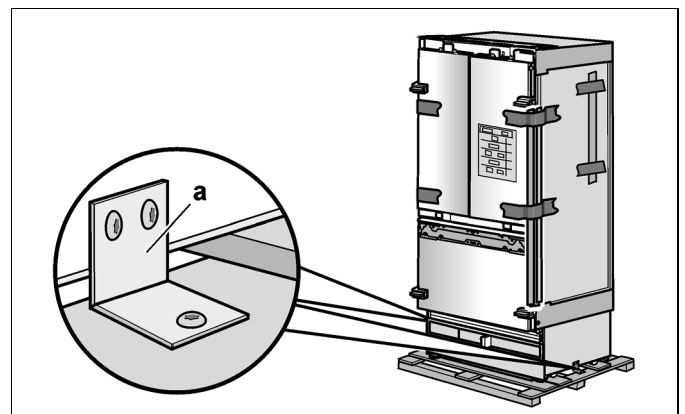
Check the appliance for damage. Do not install the appliance if there is visible damage. If there are queries, please contact the dealer.

To protect the subsurface from damage whilst installing:

1. Remove packaging carton. Be careful when using the knife so as not to damage the surface of the appliance.
2. Place cardboard or plywood under the appliance.
3. Remove accessories from the outside of the appliance.

Keep adhesive tape which was used to attach the supplied accessories to the appliance. It is used subsequently for attaching the edge protection to the cavity walls (see Section "A/3. Attaching the edge protectors").

4. Carefully open the appliance – risk of tipping over – and remove accessories and installation materials from inside the appliance. Close the door again.
5. Remove transportation protection (a) devices and lift appliance off the pallet – appliance is very heavy!



Note:

Only remove the transporting securing units with which the slide-in bases and the storage compartments in the appliance are protected after completing the installation as otherwise, parts could be damaged.

3. Transporting the appliance

⚠ Warning:

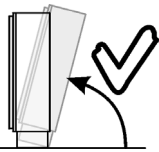
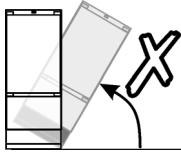
The appliance is very heavy.
 Weight (empty): 230 kg
 Handle it carefully, as otherwise people helping to lift it could be hurt or the appliance could be damaged.

The appliance has a height of 212,6 cm. If it is not possible to support the appliance in a vertical position because of the structure of the building, the appliance can be transported on its side.

Note:

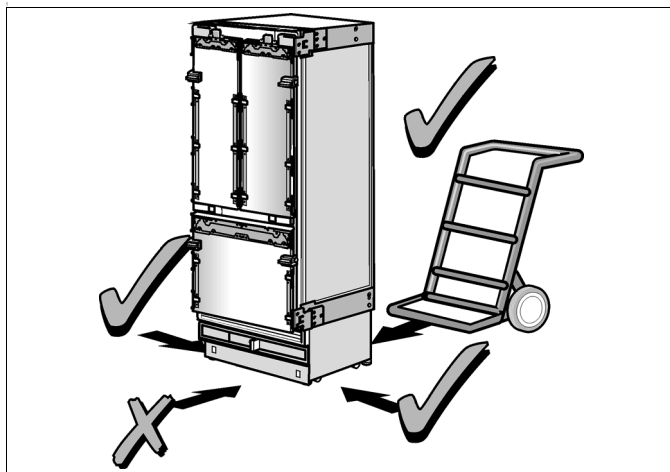
Never put the appliance up via its side! Risk of damage to the appliance.

When putting the appliance up, pay attention to the minimum height that is required at the assembly location according to the following table.

Putting the appliance up on via its back side	Putting the appliance up via its side wall
	
Minimum height 218,5 cm	Never put the appliance up via its side!

Note:

Never push means of transportation under the front of the appliance. Risk of damage to the appliance!

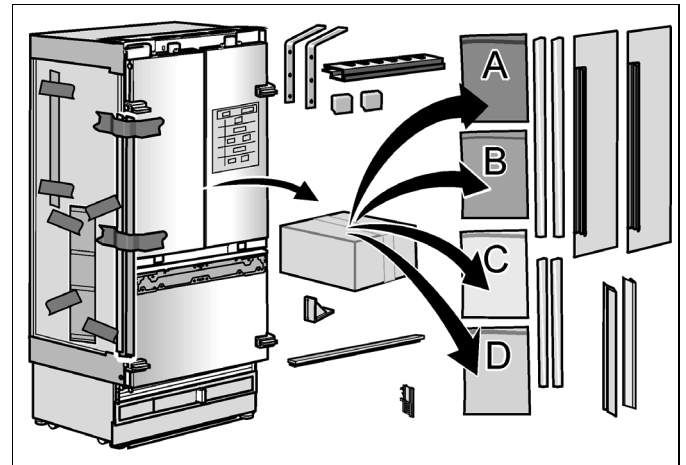


1. Transport the appliance with an aid to transport which is suitable (sack barrow, trolley or wheelbarrow).
2. When transporting, secure the appliance from being tipped.

4. Installation preparation

Unpack installation materials and accessories.

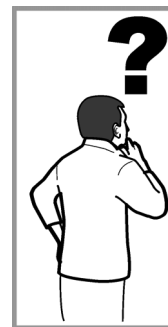
To simplify installation, the packages are identified with labels A, B, C and D corresponding with the manual sections.



5. Special installation steps

The following symbol indicates that additional steps need to be taken before proceeding to the next chapter.

Special installation steps are described after section D.



- Water connection see "Preparing the water connection" and "Connecting the appliance to the water supply".
- Door opening angle see "Setting the door opening angle (refrigerator compartment door)".

A

1. Attaching the anti-tipping brackets to the wall

⚠ Warning:

Ensure that in the wall area there are no electrical wires or pipes which could be damaged by pipes. Risk of injury or damage!

⚠ Warning:

When installing or working with floor anchors always use protective glasses and other protective equipment or protective clothing – risk of injury!

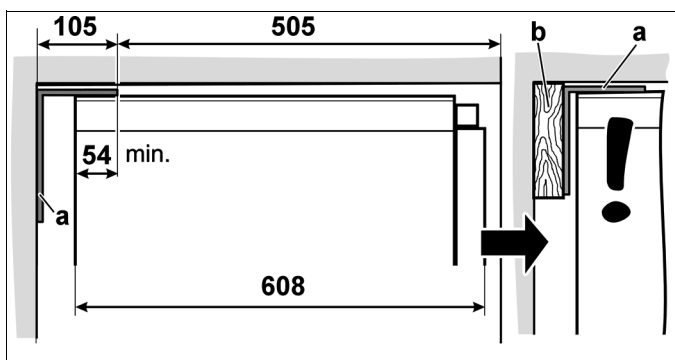
Note:

- Each appliance requires 2 anti-tilt brackets.
- The set supplied, contains fastening screws for various subsurfaces. Select the fastening screws corresponding to the local conditions.
- If the anti-tilt brackets, and therefore the appliance, cannot be securely attached with the supplied fastening screws, another suitable method must be used to attach the appliance securely.

The anti-tilt brackets (a) must overlap the appliance by at least 54 mm to ensure that the appliance is stable.

If the minimum overlap cannot be observed due to structural conditions, these can be overcome by the attachment of a suitable device, e.g. an adequately dimensioned beam (b) behind the brackets.

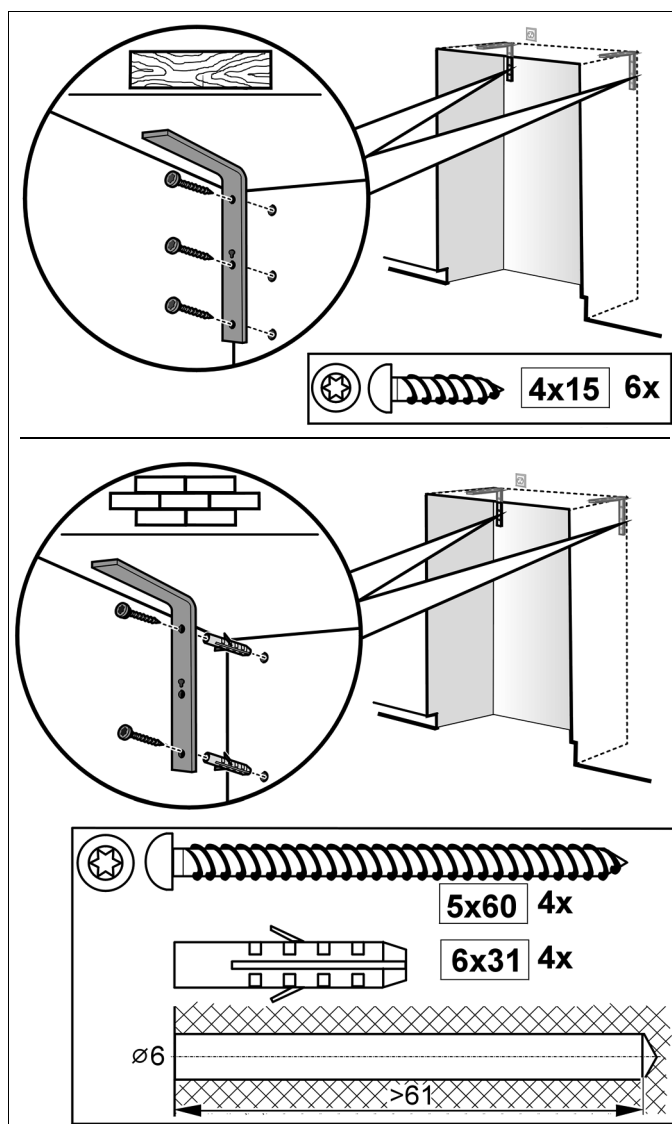
The length of the beam should correspond to the width of the installation niche!



1. Determine the fastening points of the anti-tilt brackets.

Determine the actual dimensions according to the section “Dimensions of the Installation Niche”.

2. Screw on the anti-tilt brackets tightly. Re-examine to make sure that the screws are firmly tightened.



Important information concerning attachment with wall plugs and screws:

- Not suitable for use in light-weight masonry such as hollow blocks or tiles!
- Never use in fresh concrete which has not yet hardened.
- Do not use spiral-flute counterbores (countersinking tool) to drill the holes.

2. Attaching alternative anti-tilt device

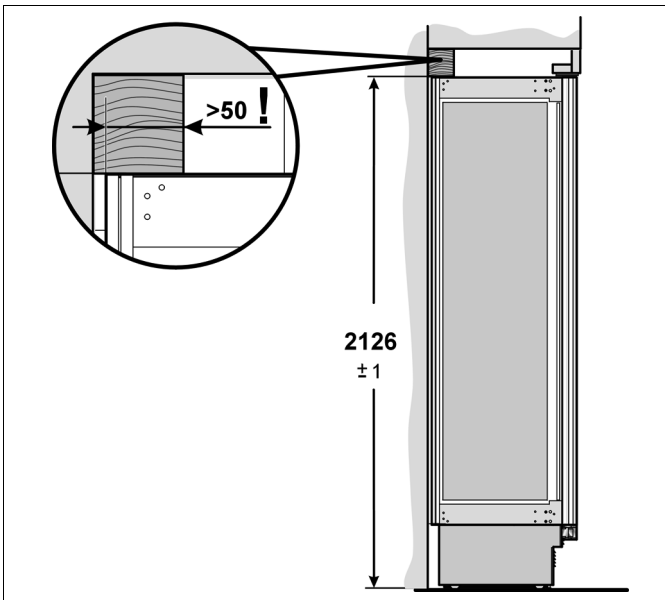
Important note:

If the anti-tilt brackets cannot be securely attached, a wooden beam can be used above the appliance as an alternative anti-tilt device. Care should be taken that there is not a gap between the appliance and the wooden beam. As far as possible, always screw the wooden beam to the rear wall of the niche.

1. Cut the wooden beam to the required length (cross section min. 8 x 10 cm). The length should correspond to the width of the installation niche!

Note:

- If the installation niche is deeper than the appliance, select a stronger beam or use two, one behind the other.
- The beam must overlap the appliance by at least 50 mm.



2. Mark the installation height (underside edge of the beam) on the rear wall of the niche.
3. Select the screws according to the thickness of the wooden beam: Length min. 2.5 x wood thickness, diameter 12 or 14 mm.

Note:

Select the number of screws corresponding to the niche width so that you ensure that the beam can be securely mounted.

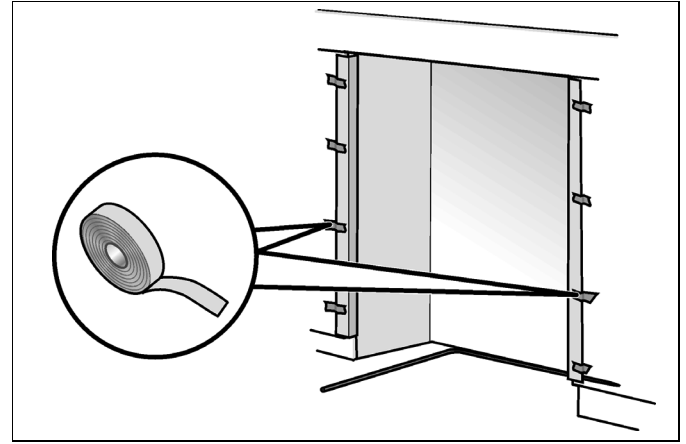
According to the subsurface:

4. Look for the supports on the rear wall of the niche and mark the drill holes on the beam corresponding to the position of the support.
or
Fasten suitable dowel into the rear wall.
5. Pre-drill the holes in the wooden beam.
6. Screw the beam onto the rear wall of the niche.

3. Attaching the edge protectors

To protect the edges of the installation cavity, it is recommended to attach edge protection made of a suitable material.

Attach the edge protection with the adhesive tape which was used to attach the accessories to the appliance

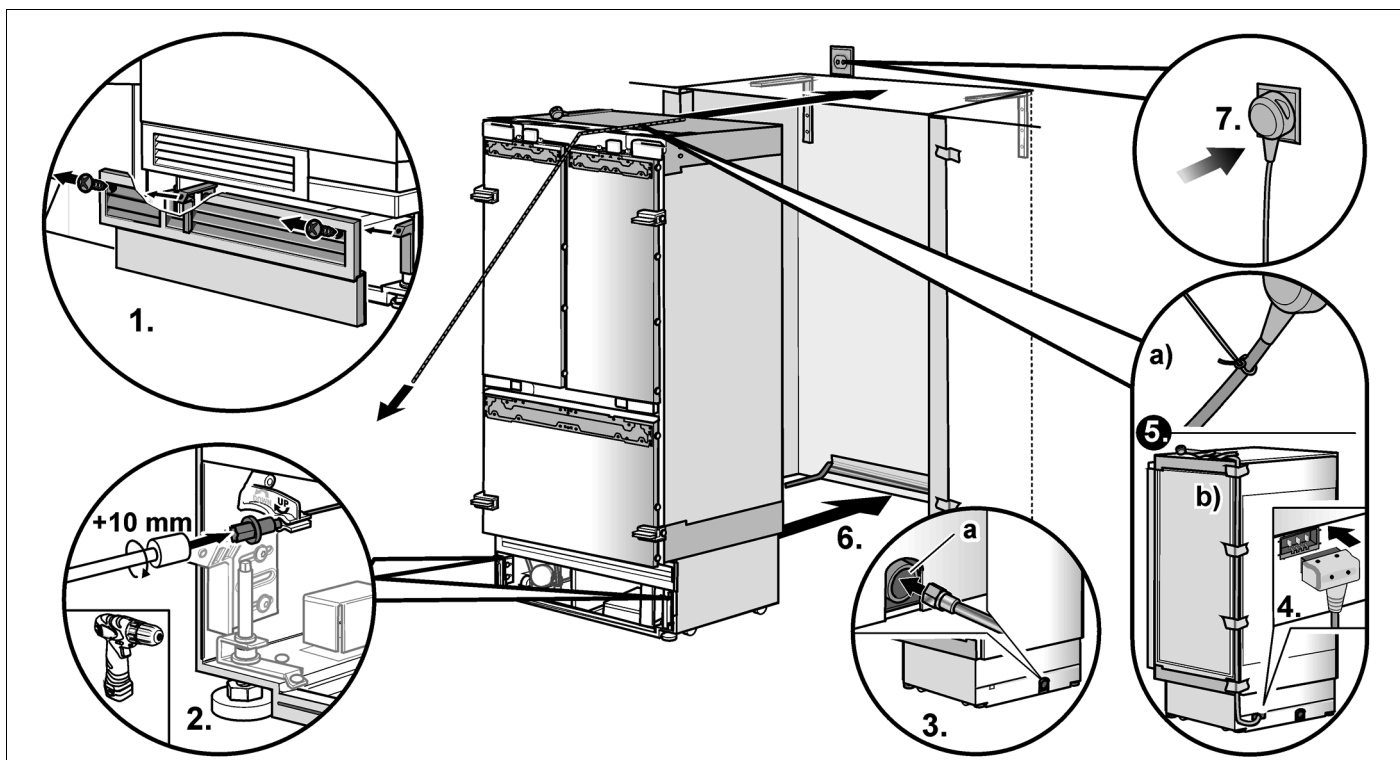


The following is a special installation step. Instructions are provided after section D.

- Water connection see "Preparing the water connection".

1. Sliding the appliance into the installation niche

B



⚠ Caution:

Be careful when sliding the appliance into the installation niche. Do not damage the water connection or power cord.

Note:

If the floor or appliance is skew in relation to the installation niche, the height-adjustable wheels should be correspondingly adjusted before sliding the appliance into the niche.

1. Remove the base panelling.
2. Unscrew the height-adjustable feet at the back of the appliance by approx. 10 mm.
3. Insert water connection line into the protective pipe (a) on the rear of the appliance.

⚠ Warning:

The appliance may tilt when the water connection line is inserted into the protective pipe (a)!

4. Connect the power cord to the appliance.
5. Protect the mains lead from getting wedged under or behind the appliance.

Recommended procedure:

- a) Tie a piece of string onto the power cord and guide the string forwards over the appliance. When pushing the appliance into the cavity, pull the cable with the string forward.

or

- b) Fasten the power cord onto the backside and the top of the appliance with adhesive tape.

6. Slide the appliance carefully into the niche.
7. Plug the mains plug into the socket.
8. Remove edge protection from the installation cavity (if previously attached).

2. Adjusting the appliance in the niche

Note:

To ensure that the appliance functions correctly, it must be set level with a spirit level.

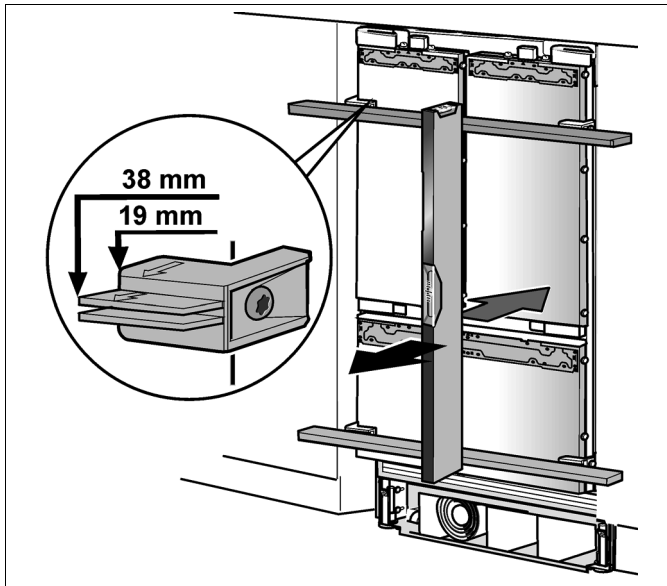
Depth alignment

The positioning supports are set out for the following overall strengths of the furniture doors to be mounted.

- 19 mm
- 38 mm

Re-examine the actual thickness of the doors to be mounted in order where necessary, to be able to compensate possible digressions.

1. Adjust the appliance to the existing furniture.
Keep the straight edge on the door, above the positioning supports.



Height alignment

Note:

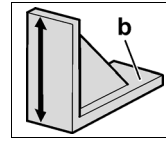
- Do not tip the appliance in the niche! When screwing down the height adjustable feet, proceed step by step. Lower by alternating left to right.
- The rear feet can be set easier when the appliance is not loaded on the rear.
- When using a wooden beam as an alternative anti-tilt mechanism, turn the appliance as far as it will go against the wooden beam using the height-adjustable feet. Do not bend against the wooden beam.

The height-adjustable feet on the front and rear can all be adjusted from the front.

Front: with a fixed spanner SW 13 mm

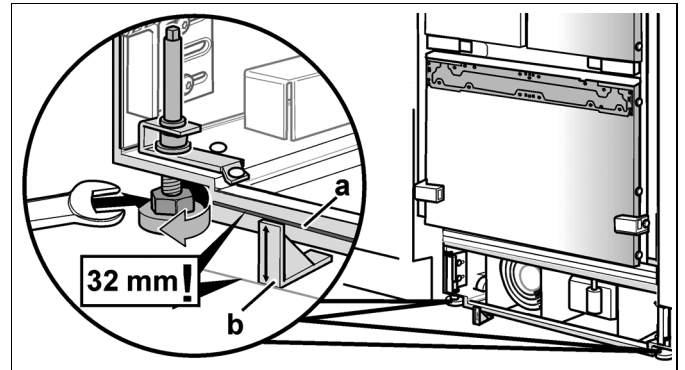
Rear: with a 8 mm socket spanner with flexible shaft Use cordless screwdriver.

A mark (a) is made on the base of the appliance which serves as a standard measurement for setting the height. When setting the height, raise the mark to 32 mm above the ground. This dimension is very important for the subsequent adjustment of the cabinet frontage.

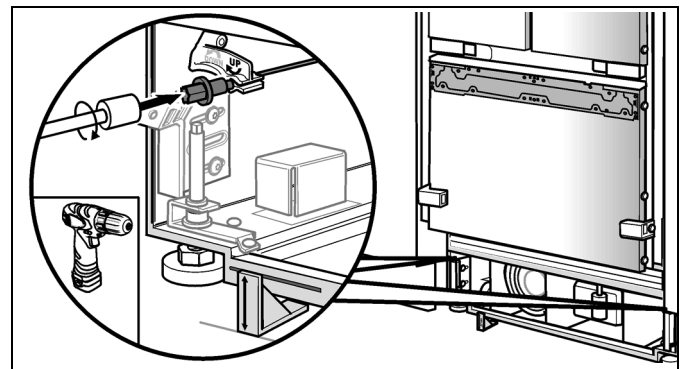


The assembly gauge (b) is used to set this height correctly. The upper edge of the gauge must be in alignment with the mark on the appliance.

2. Unscrew the height-adjustable feet at the front of the appliance until the mark on the base has reached the indicated height (32 mm).



3. Align the appliance vertically using the feet at the back. Use spirit level.

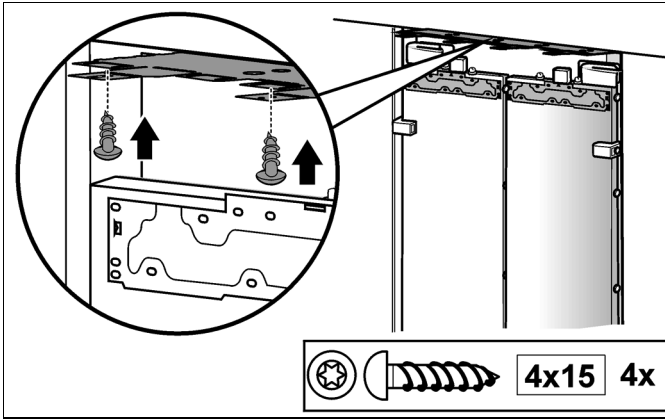


3. Fastening the appliance to the niche ceiling

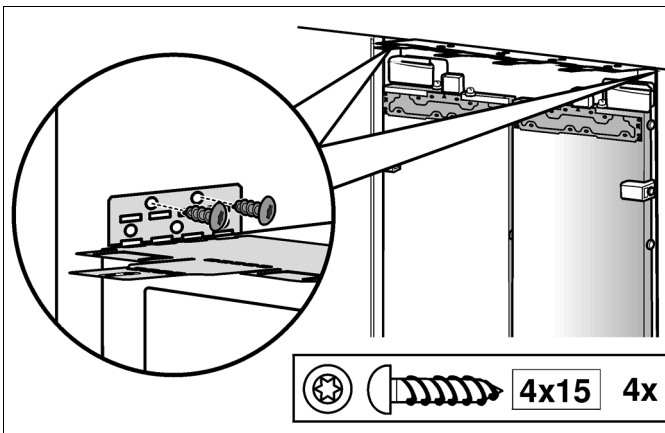
Note:

It is essential to attach the appliance to the ceiling of the cavity.

1. Screw on the front bars of the fastening sheets (above) with the upper cabinets.
2. If there is a large gap available above the appliance, integrate a wooden beam above the appliance and pay attention that the gap is completely filled.

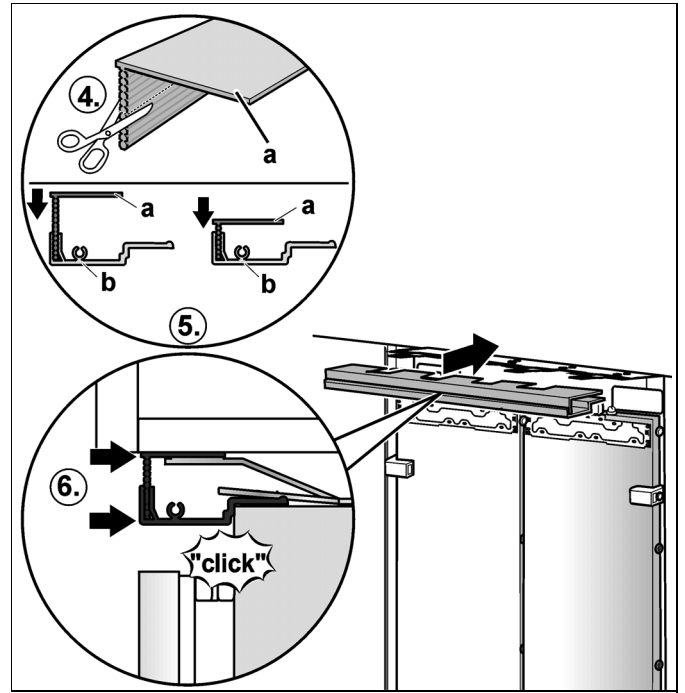


3. If there is enough room above the appliance, fix the lateral bars of the fastening sheets (above) to the side of the niche.



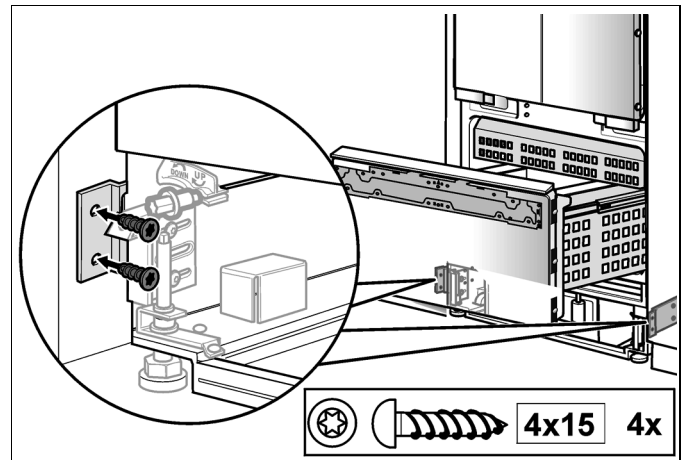
4. Cut the connection ribs (a) to the desired height!
5. Press connection ribs (a) into the covering ribs (b).

6. Attach the covering ribs (b) onto the fastening sheets (above),



4. Fastening the appliance to the side wall of the installation niche

Screw on the bars of the fastening sheets (lateral) with the cabinet parts located next to them.

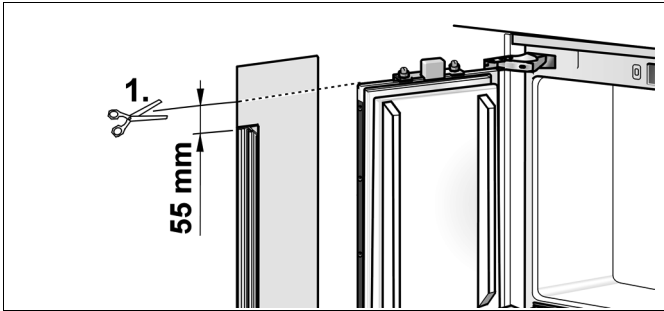


5. Checking that the finger protector moves easily

It is now essential to check that the finger guard moves easily. At a later time any required corrections will be more difficult.

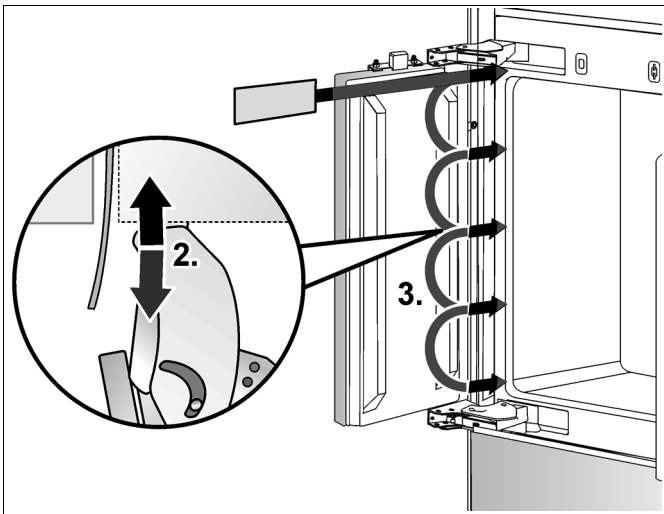
Note:

- The supplied finger protector can be used for both sides of the hinges.
 - Because of different installation possibilities, the finger protector has to be shortened to the required length.
1. Shorten the finger protector at the upper side above the covering strip by 55 mm.



2. Push the cut-off remnant on the hinge side into the gap between the appliance and cavity wall.

The part must be easy to push in and pull out!



3. Ensure smooth running at all positions of the door.



The following is a special installation step. Instructions are provided after section D.

- Water connection see "Connecting the appliance to the water supply".

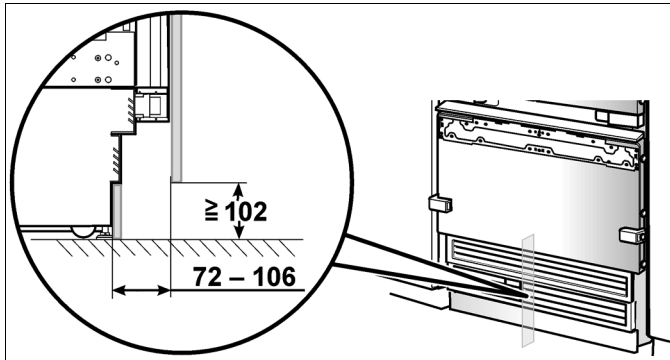
B

1. Fastening the plinth strip

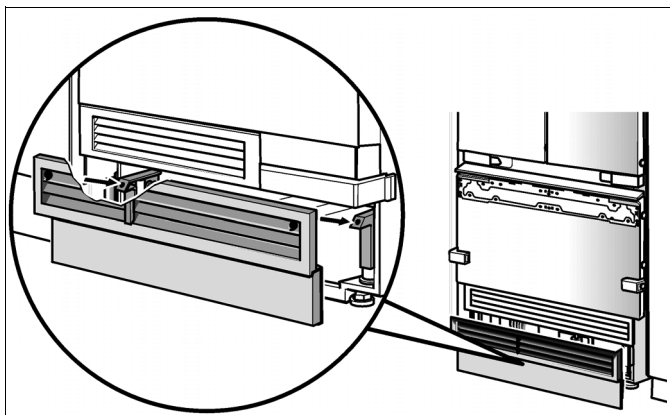
Note:

Never cover the ventilation cracks in the base panelling.
Risk of damage to the appliance.

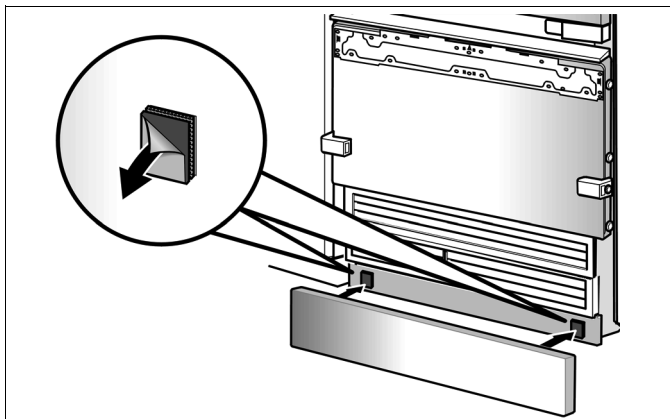
Nominal dimensions to be observed:



1. Where necessary, cut the base strip to the required length.
2. Place base cover on the appliance (do not screw on).



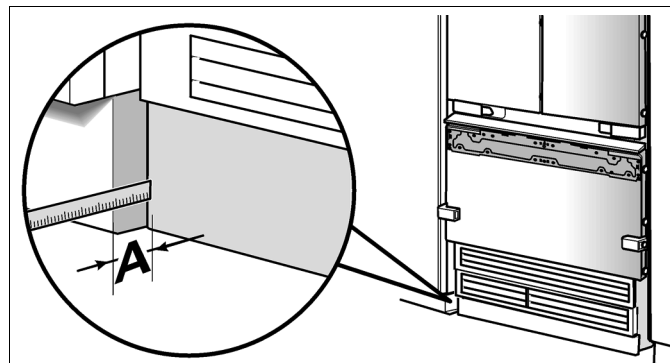
3. Take the protective film off from the adhesive pads on the Velcro strip.
4. Put the base strip onto the base panelling and push firmly.



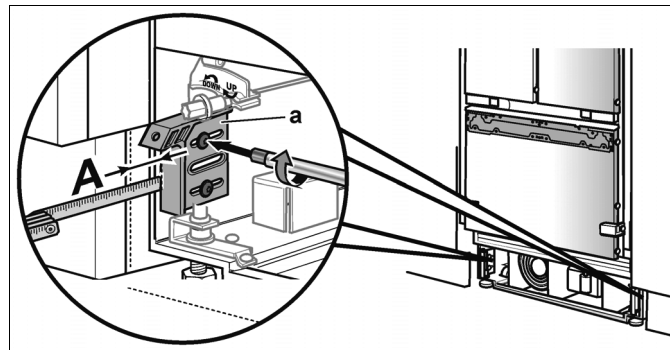
5. The base strip can be screwed to the base cover from behind. There are holes in the base cover for this purpose.

2. Aligning the base cover

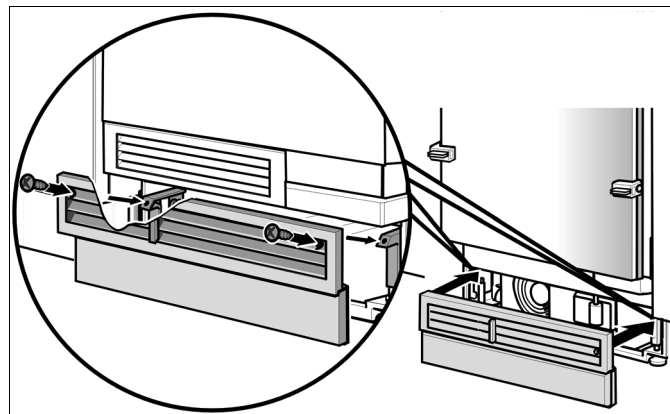
1. Place base cover on the appliance (do not screw on).
2. Measure the difference in depth **A** between the base panelling and the base strip of the adjacent lower cabinets.



3. Remove the base panelling again.
4. Adjust the brackets (a) to the dimensions A and tighten.



5. Fasten the base panelling.



3. Switching the appliance on for the first time

The appliance should now be switched on for the first time in order to ensure the accuracy of the following mounting steps and with it, the appearance of the entire kitchen frontage.

1. Open the appliance door.
2. Actuate the appliance's On/Off button.

Only for appliances with a water connection:

In the case of possible damage of the water mains, keep the shut-off tap closed in order to avoid the risk of damage from water coming out.

4. Preparing the furniture doors

Important note:

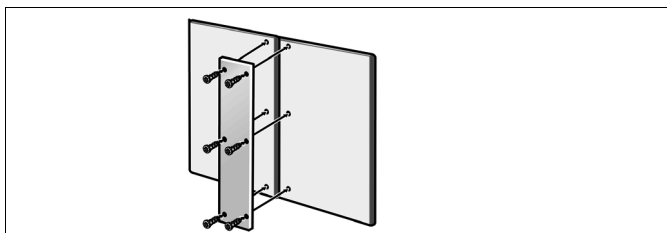
When working on the furniture doors, care should be taken to the following:

- Always carry out screwing jobs on the most stable part of the furniture door. Never screw into fillings or similar areas.
- Always selects screws with a length smaller than the thickness of the cabinet front.
- Protect the surfaces of the furniture doors during installation against damage.

The overall weight of the furniture door including the handle should not exceed the following values:

Overall width of the furniture door	
Refrigeration compartment door	13 kg
Freezer drawer	13 kg

Instead of one large door, two furniture doors can be mounted next to each other in the case of appliances with a width of 91 cm. These furniture doors are then connected using a metal strip on the rear.



This metal strip is available from your dealer as an installation accessory (Connection element for furniture doors). For further information see section "Tools and Accessories which are needed".

Note:

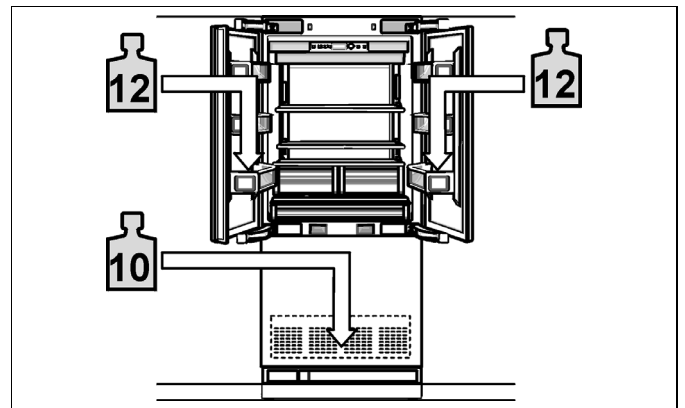
The instructions for carrying out this work step can be found in the separate installation instructions for this accessory.

5. Loading the appliance door

When attaching the furniture doors it is recommended to load the storage sections in the door with weights in order to ensure that the when adjusting crack dimensions turn out to be as precise as possible.

Loading recommendations:

Loading of the furniture door	
Refrigeration compartment door	12 kg
Freezer drawer	10 kg

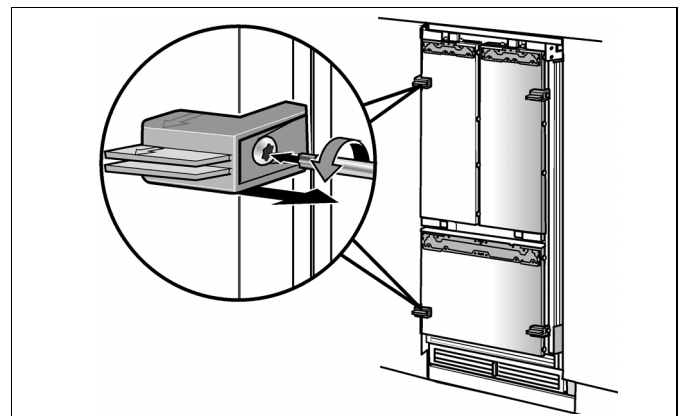


6. Removing positioning aids

Unscrew the positioning aids from the appliance door.

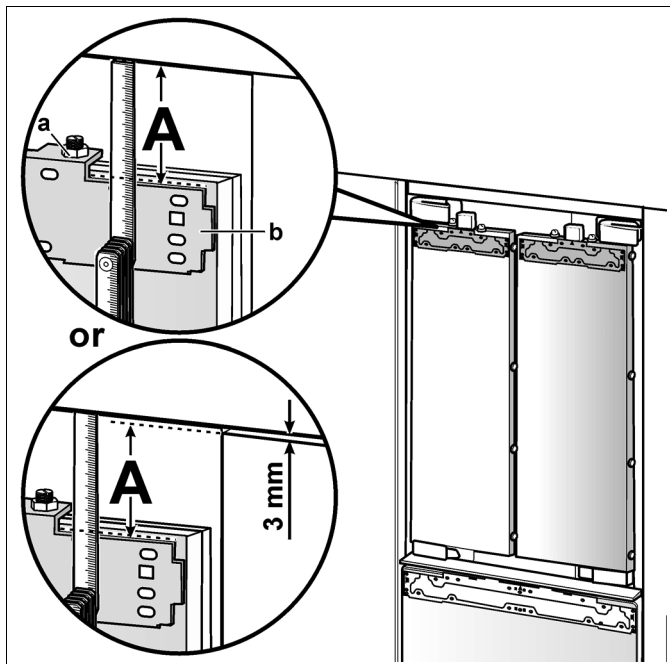
Note:

The positioning aids will still be needed in the course of mounting.

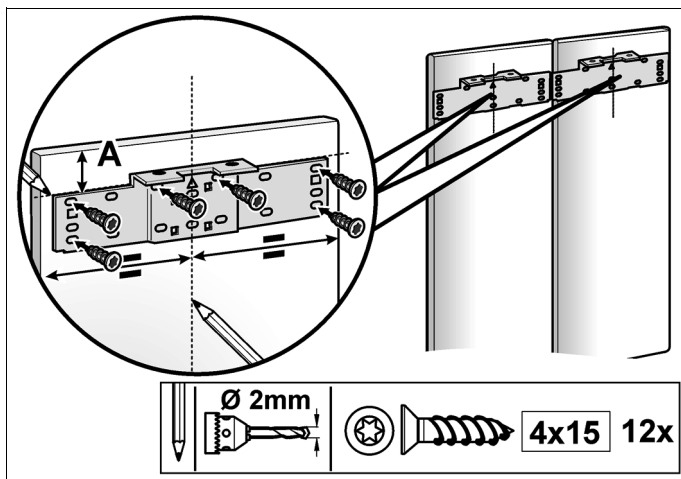


7. Fastening the adjusting rib to the furniture door (refrigerator compartment)

1. Measure distance **A** between the adjusting rail (b) and the furniture parts above.



2. Loosen the two nuts (a) and remove the adjusting rib (b).
3. Mark this value **A** on the rear side of the furniture door.
4. Determine the middle of the door and label it.
5. Rest the adjusting rib on the furniture door and align to the markings. Mark the drill holes.
6. Pre-drill the holes.
7. Tightly screw the adjusting rib.



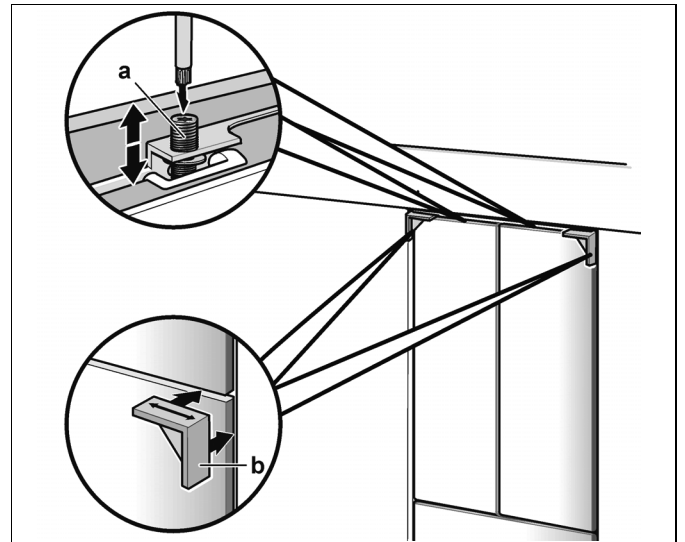
Note:

- One screw should be screwed in under the threaded rod in each case.
- The adjusting rib has a various holes for different furniture door design variations. Always carry out screwing jobs on the most stable part of the furniture door.

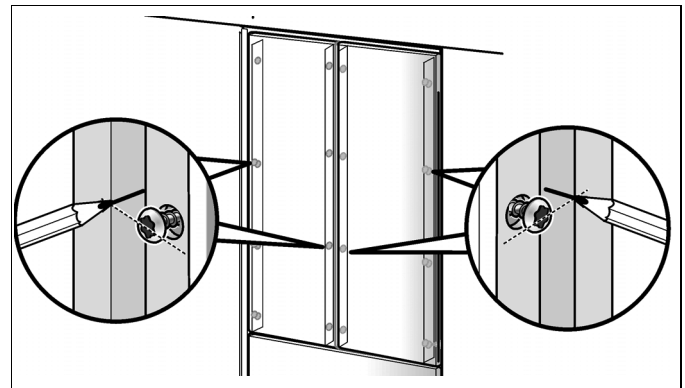
8. Fastening the fixing rib to the furniture door (refrigerator compartment)

Note:

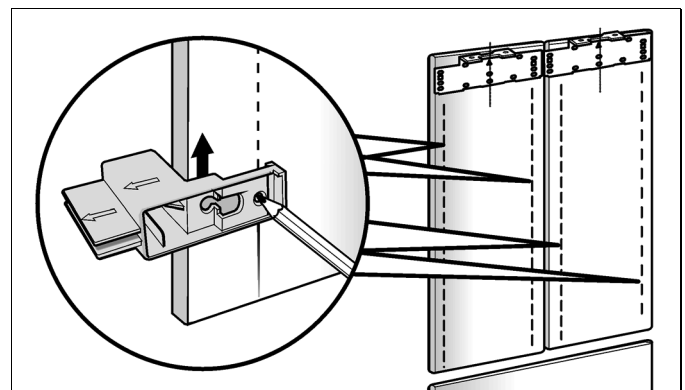
1. Hang the furniture door on the threaded rod (a).
2. Adjust the furniture door using the threaded rod (Torx screwdriver)
Re-examine the dimensions of the crack continuously. To do this, use the assembly gauge (b).



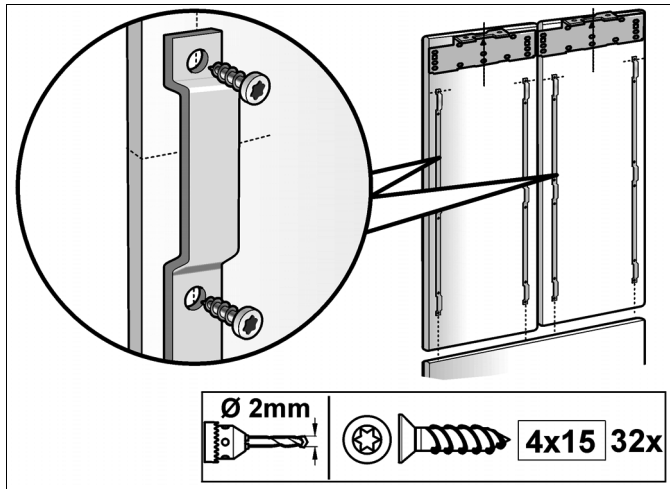
3. Transfer the position of the fastening screws on the outer edge of the appliance door to the furniture door and mark.



4. Remove furniture door.
5. On both lengths of the furniture door, draw a parallel with the help of the positioning aid.



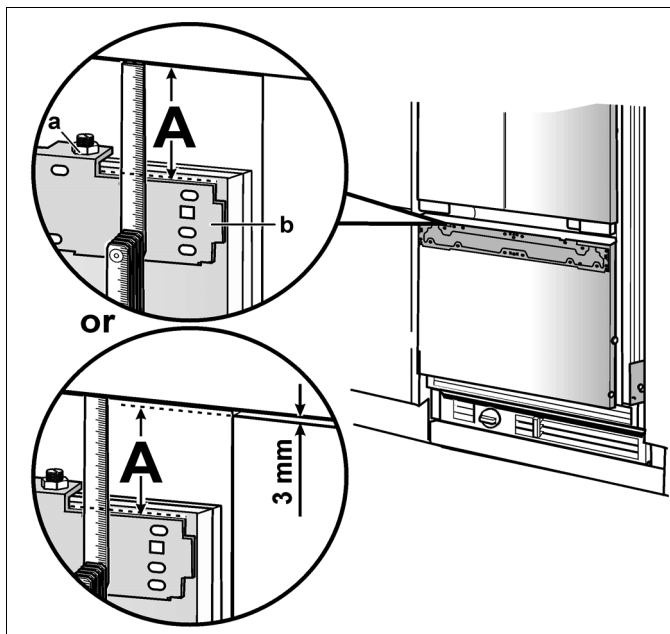
- Lengthen the markings to the parallels using an angle of contact.
- Apply the fixing ribs (b) and mark out the holes.
- Pre-drill the holes.
- Screw on the fixing ribs (b).



- Hang the furniture door on the threaded rods.

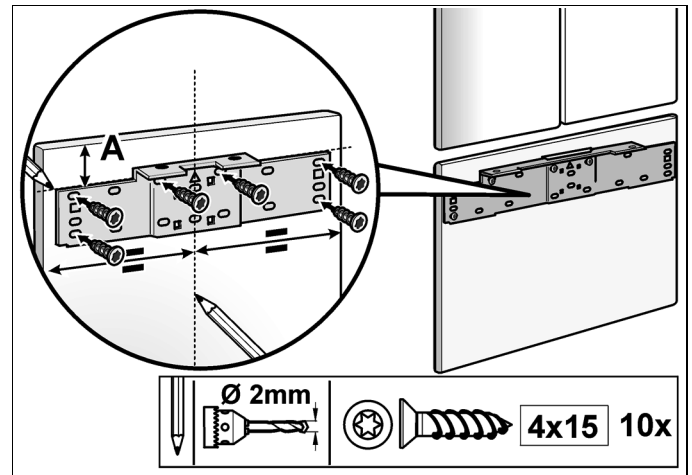
9. Fastening the adjusting rib to the furniture door (freezer compartment)

- Measure distance **A** between the adjusting ribs and the bottom edge of the refrigerator compartment door.



- Loosen the two nuts (a) and remove the adjusting rib (b).
- Mark this value **A** on the rear side of the furniture door.
- Determine the middle of the door and label it.
- Rest the adjusting rib on the furniture door and align to the markings. Mark the drill holes.
- Pre-drill the holes.

- Tightly screw the adjusting rib.

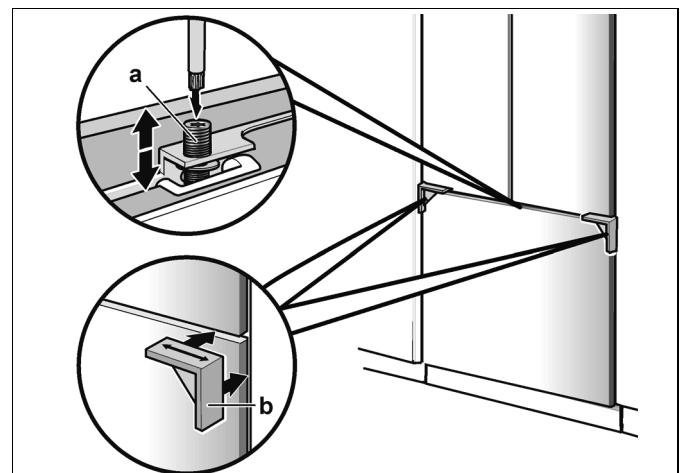


Note:

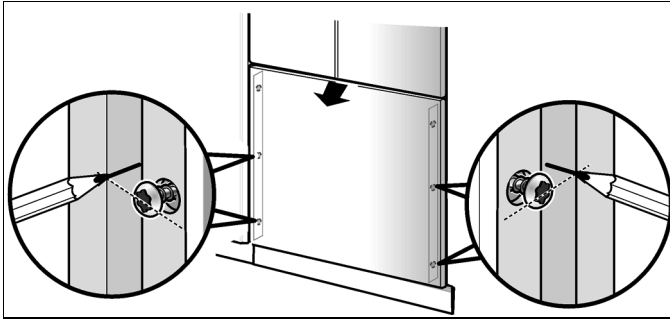
- One screw should be screwed in under the threaded rod in each case.
- The adjusting rib has a various holes for different furniture door design variations. Always carry out screwing jobs on the most stable part of the furniture door.

10. Fastening the fixing rib to the furniture door (freezer compartment)

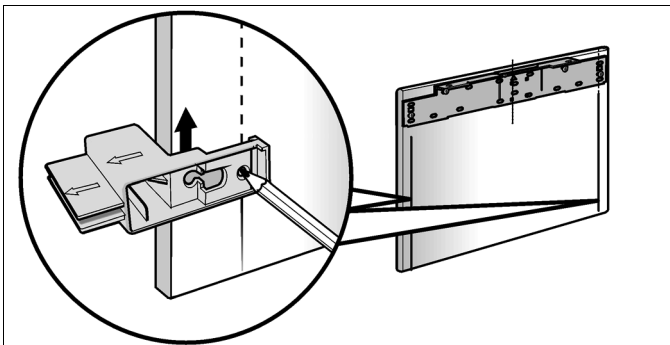
- Hang the furniture door on the threaded rod (a).
- Adjust the furniture door using the threaded rod (Torx screwdriver).
Re-examine the dimensions of the crack continuously. To do this, use the assembly gauge (b).



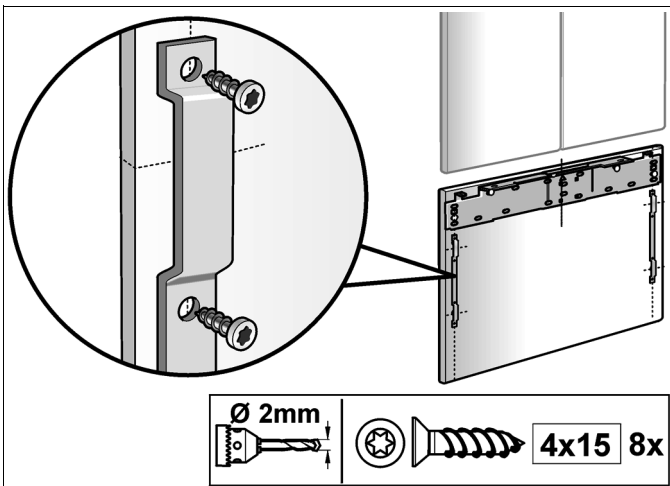
- Transfer the position of the fastening screws on the outer edge of the appliance door to the furniture door and mark.



- Remove furniture door.
- On both lengths of the furniture door, draw a parallel with the help of the positioning aid.



- Lengthen the markings to the parallels using an angle of contact.
- Apply the fixing ribs (b) and mark out the holes.
- Pre-drill the holes.
- Screw on the fixing ribs (b).

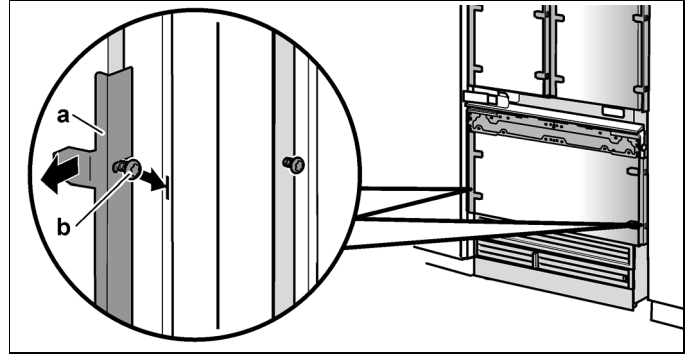


11. Mounting the furniture door (freezer compartment)

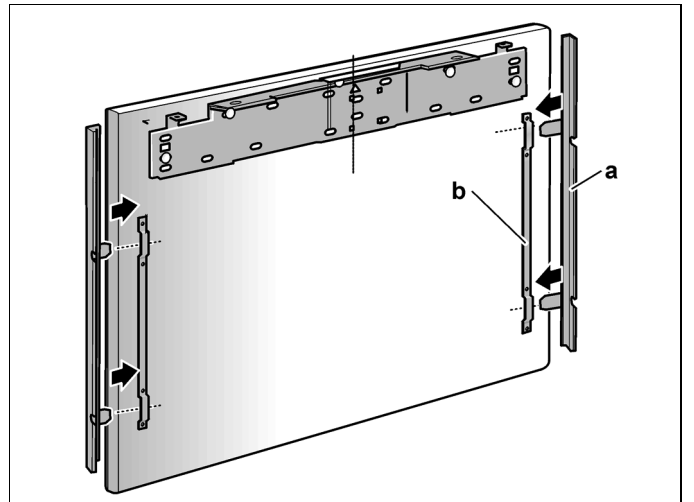
Note:

Now attach the door handles which should have been screwed from behind!

- Remove fixing bracket (a) from the appliance door. To do this, loosen the fastening screws (b) only.

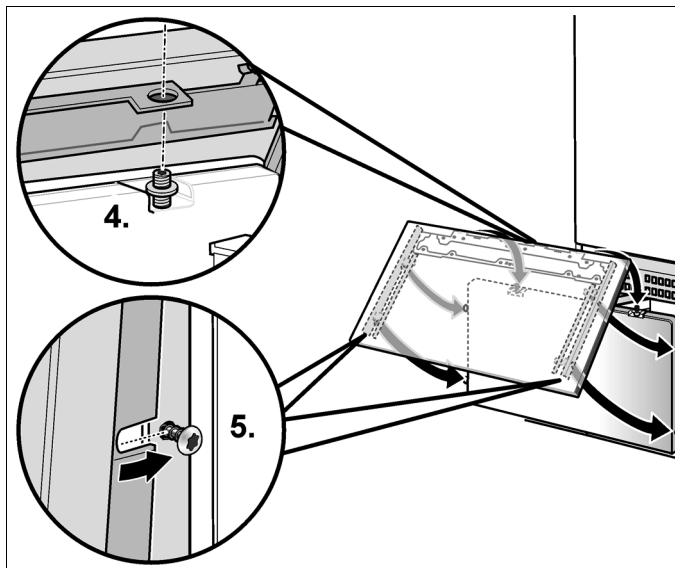


- Insert the removed fixing brackets (a) into the fixing rails (b) on the furniture door.

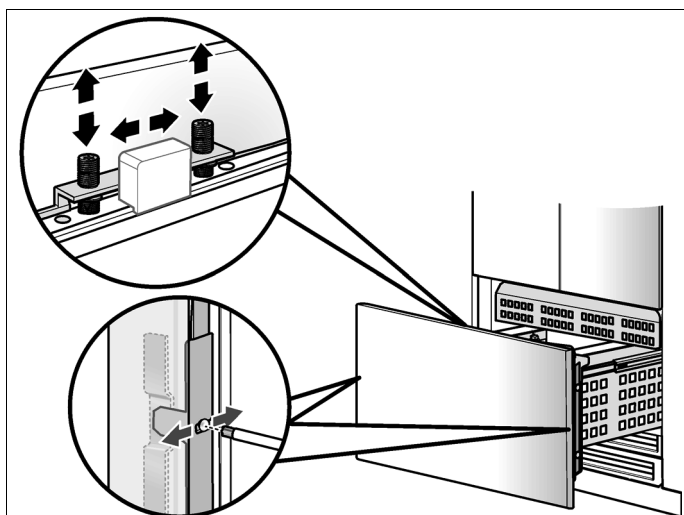


- Open drawer.

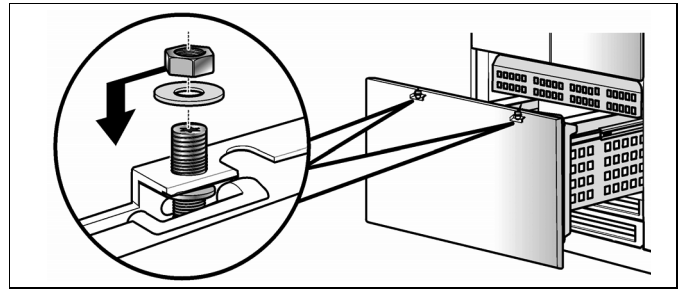
4. Hang furniture door with the adjusting rail onto the threaded pins.
5. Lower furniture door and push the fixing brackets down over the fastening screws on the appliance door.



6. Adjust the furniture door using the threaded rod (Torx screwdriver) Re-examine the dimensions of the crack continuously.
7. Close the door and re-examine to make sure that the depth of the cabinet frontage corresponds with the adjacent lying fronts. Correct if necessary.
8. Tighten the fixing anglescrews in order to fix the depth adjustment.
9. Close the door and check the lateral adjustment. Correct the adjustment by lightly banging on the edge of the open door by hand.



10. Screw nuts onto the threaded pins of the adjusting rail and tighten! This way, the lateral adjustment of the door is fixed.

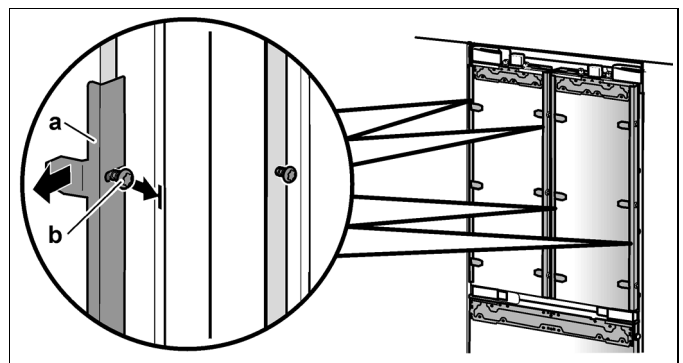


12. Mounting the furniture doors (refrigerator compartment)

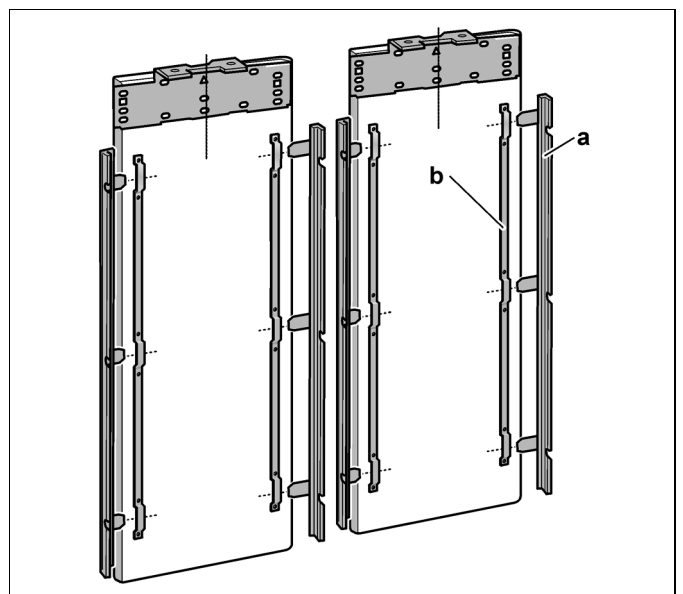
Note:

Now attach the door handles which should have been screwed from behind!

1. Remove fixing bracket (a) from the appliance door. To do this, loosen the fastening screws (b) only.

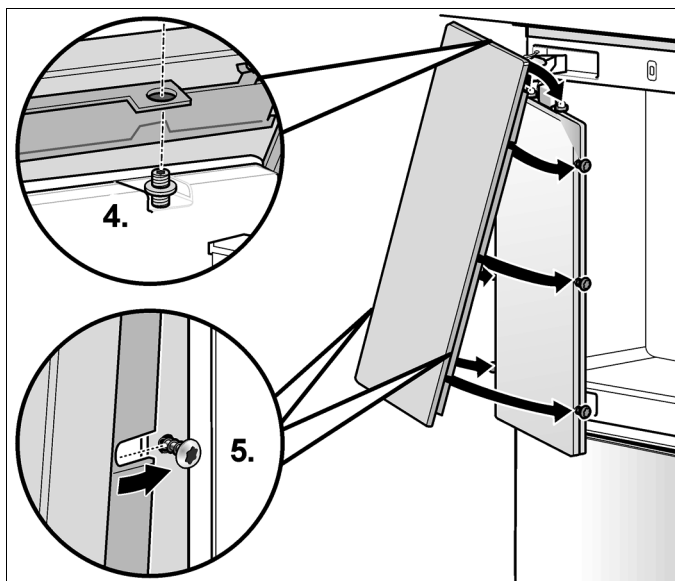


2. Insert the removed fixing brackets (a) into the fixing rails (b) on the furniture door.

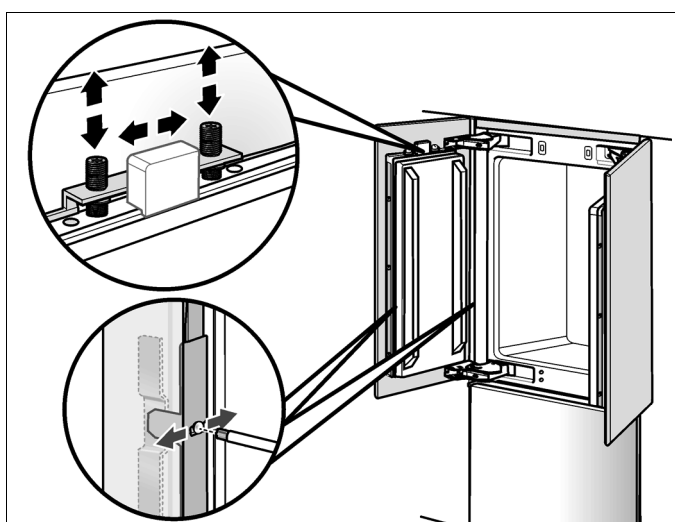


3. Open the appliance door.

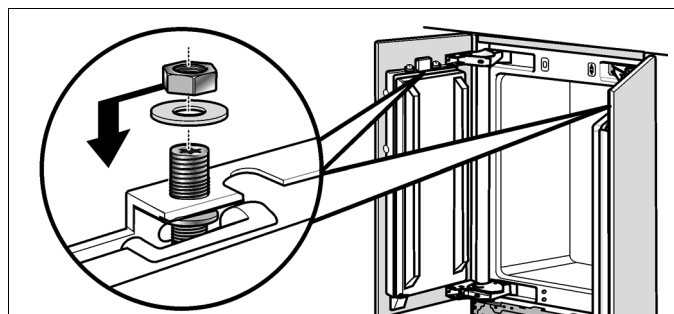
4. Hang furniture door with the adjusting rail onto the threaded pins.
5. Lower furniture door and push the fixing brackets down over the fastening screws on the appliance door.



6. Adjust the furniture door using the threaded rod (Torx screwdriver) Re-examine the dimensions of the crack continuously.
7. Close the door and re-examine to make sure that the depth of the cabinet frontage corresponds with the adjacent lying fronts. Correct if necessary.
8. Tighten the fixing anglescrews in order to fix the depth adjustment.
9. Close the door and check the lateral adjustment. Correct the adjustment by lightly banging on the edge of the open door by hand.



10. Screw nuts onto the threaded pins of the adjusting rail and tighten! This way, the lateral adjustment of the door is fixed.

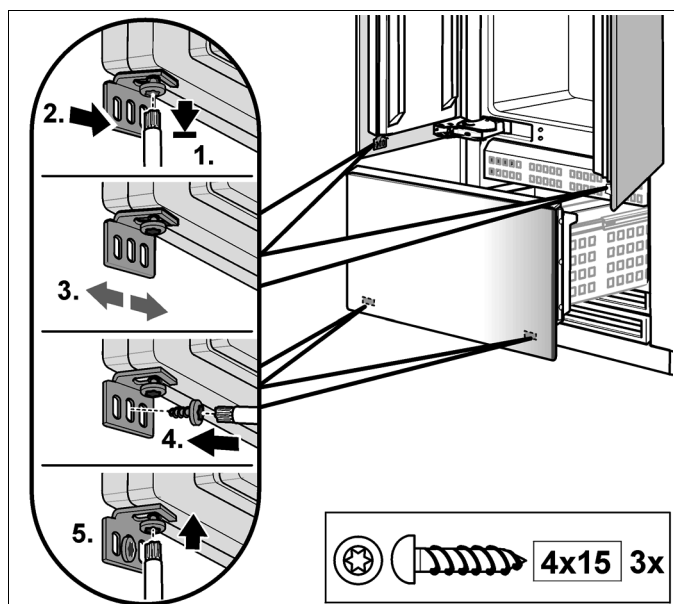


13. Screw on the lower fixing angle

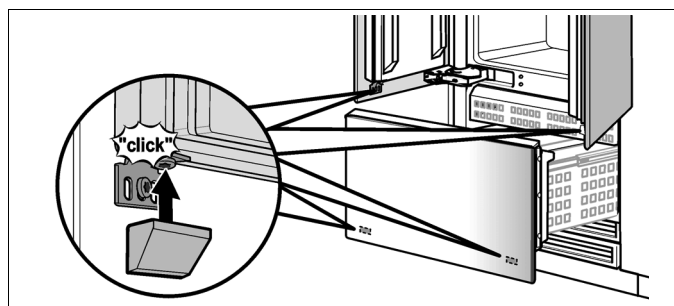
The lateral adjustment of the door is fixed through the lower fastening angles. The number of the lower fastening angles depends on the width and the design of the furniture door.

Screw on lower bracket. Pre-drill holes into the furniture door!

1. Loosen screw.
2. Push bracket over the screw.
3. Check the lateral position of the door.
4. Screw in the wood screws.
5. Tighten the screws.



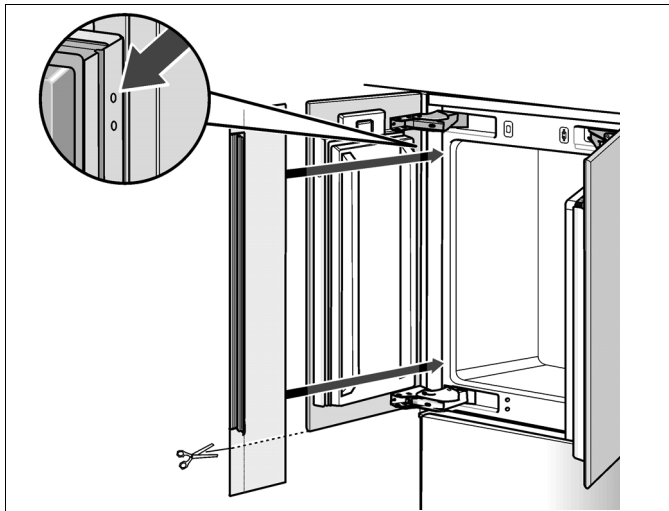
6. Insert the coverings via the fixing angle.



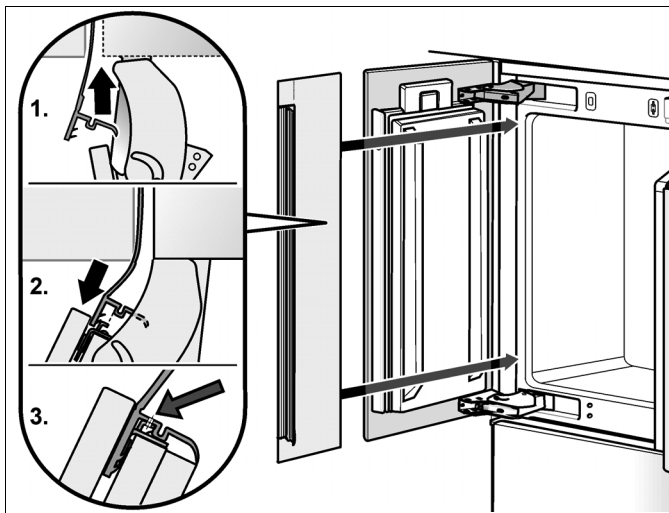
1. Fasten the finger protector

1. When positioning the finger protector at the door, ensure that the fixing holes in the cover strip correspond with the boreholes in the fixing brackets.

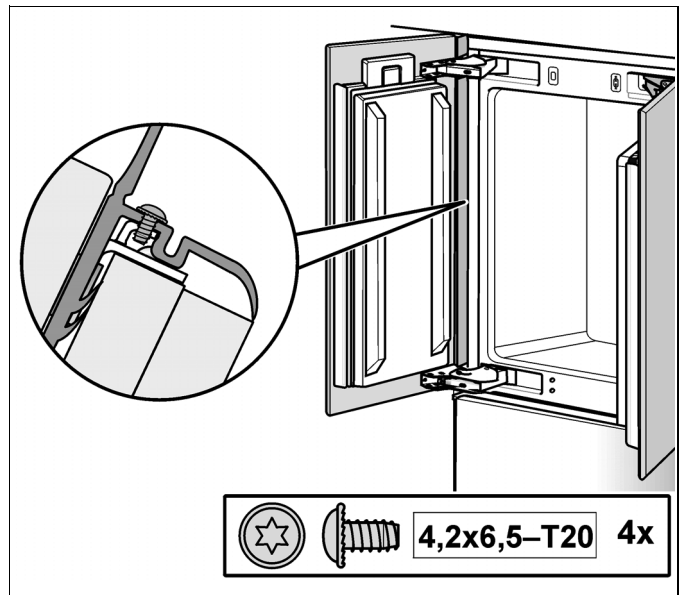
Mark now the bottom edge of the finger protector and shorten accordingly.



2. Push the finger protector into the gap between the appliance and the niche wall (1.).
3. Press the cover strip of the finger protector from top to bottom between the front of the furniture and the door of the appliance (2.). Ensure that the fixing holes in the cover strip correspond with the boreholes in the fixing brackets (3.!).



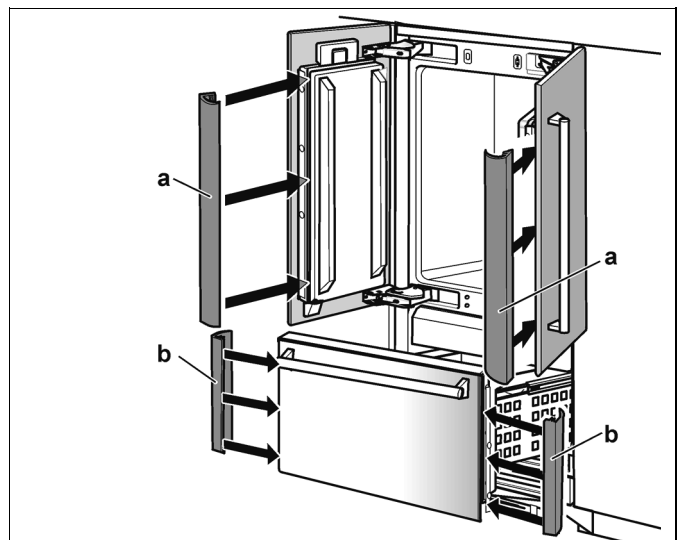
4. Attach the finger protector with the screws on the fixing brackets.



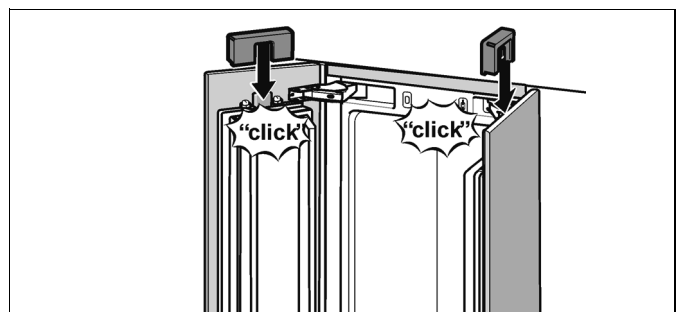
5. Test functioning and smooth running of the finger protector by repeatedly opening and closing the door.

2. Attaching the covers

1. Attach the cover ribs (a) & (b) on both long sides of the doors and the freezer compartment drawer.

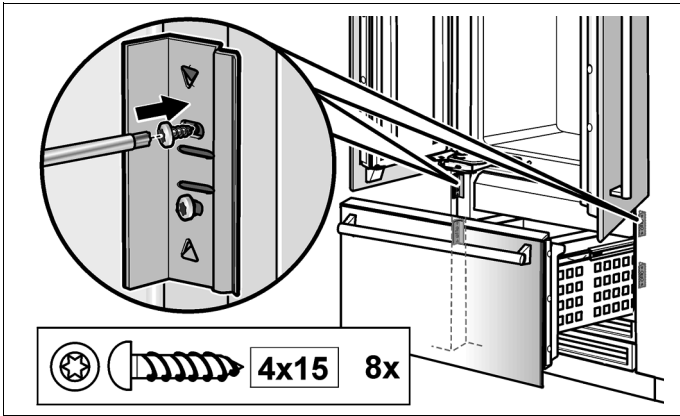


2. Attach the light switch cover. The light switch cover can be screwed to the door.

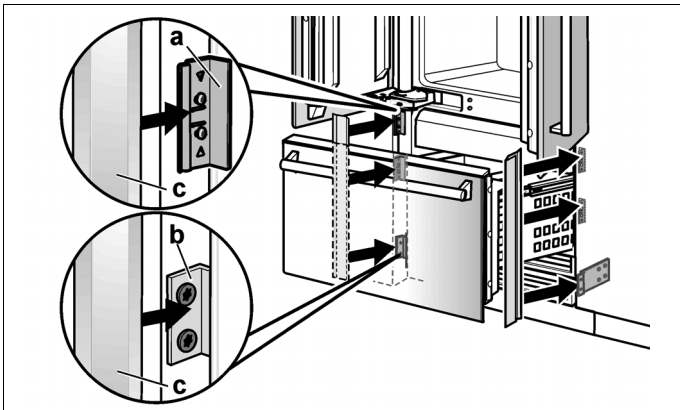


3. Screw on the angle for fastening the cover ribs.

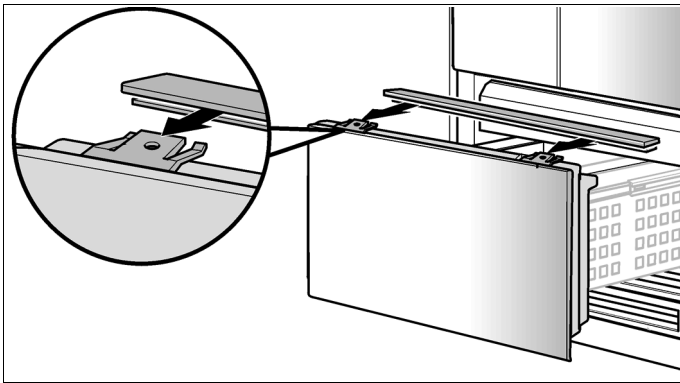
D

D

4. Attach the cover ribs (c) to the fastening plates (b) and the angles (a).

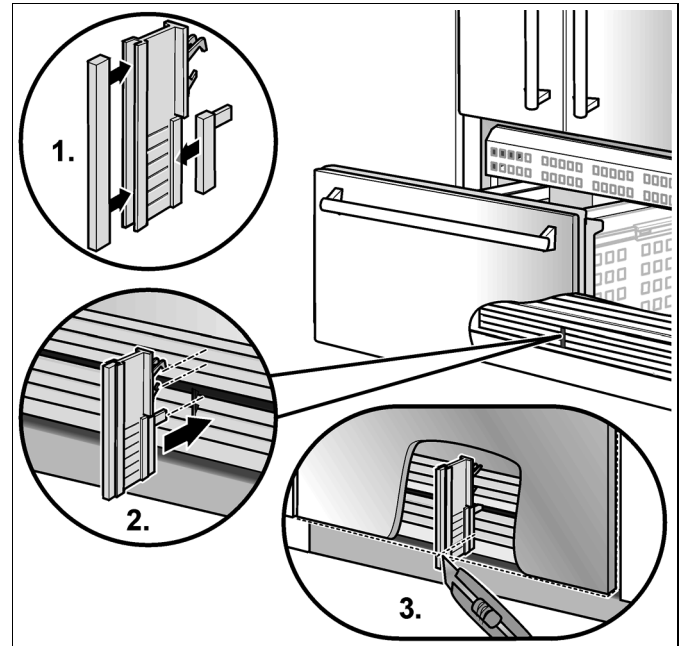


5. Attach the covering bar using the adjusting ribs of the freezer compartment drawer.



3. Mounting the air filter

Using the air filter, air which is supplied and drawn from the appliance is fed separately, in order to avoid reduced operating capacity.

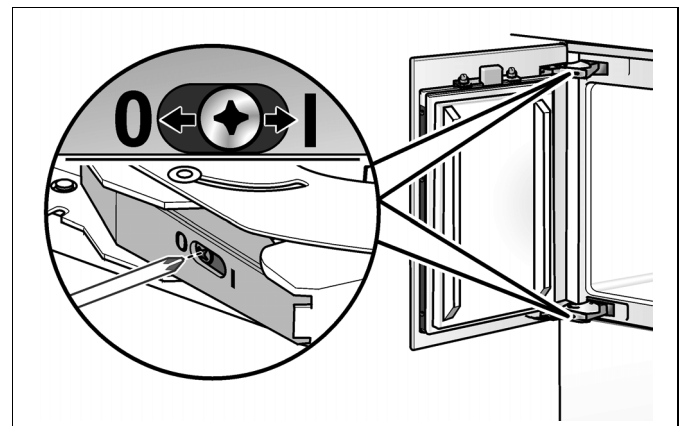


4. Tensioning the hinge springs (refrigerator door)

Turn the setting screw with a cross head screwdriver.

I = Spring tensioned

0 = Spring released



The following is a special installation step. Instructions are provided after section D.

– Door opening angle see “Setting the door opening angle (refrigerator compartment door)”.

Installation of the appliance is now complete.

Special installation steps

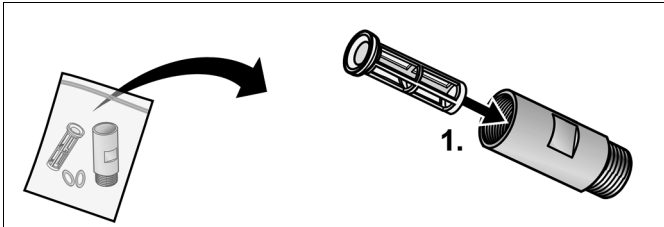
Preparing the water connection

(only for appliances which require a water connection)

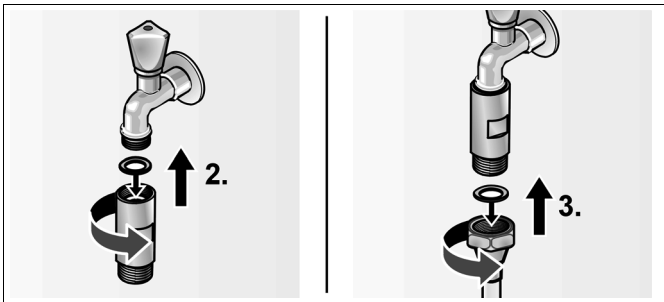
Note:

Turn off the main water tap in order to avoid damage from escaping water.

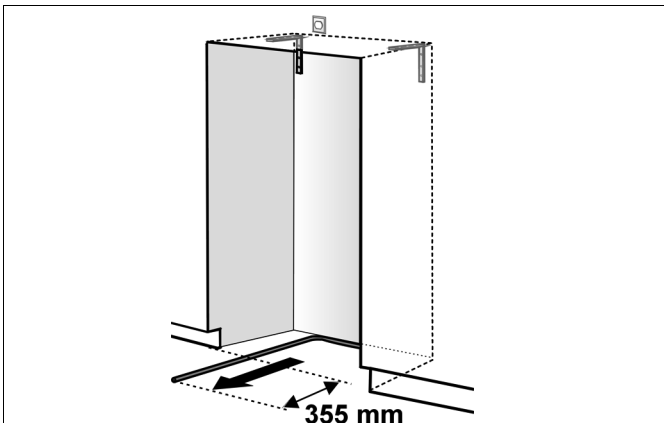
1. Insert filter screen into the filter housing.



2. Place seal in the filter housing and connect to the tap ($\frac{3}{4}$ " threaded connection).
3. Using an open-end wrench, connect water supply hose with seal to the filter housing.



4. Lay the connection pipe. Always keep to the given installed area in order to avoid damaging the connection pipe when sliding the appliance in later.

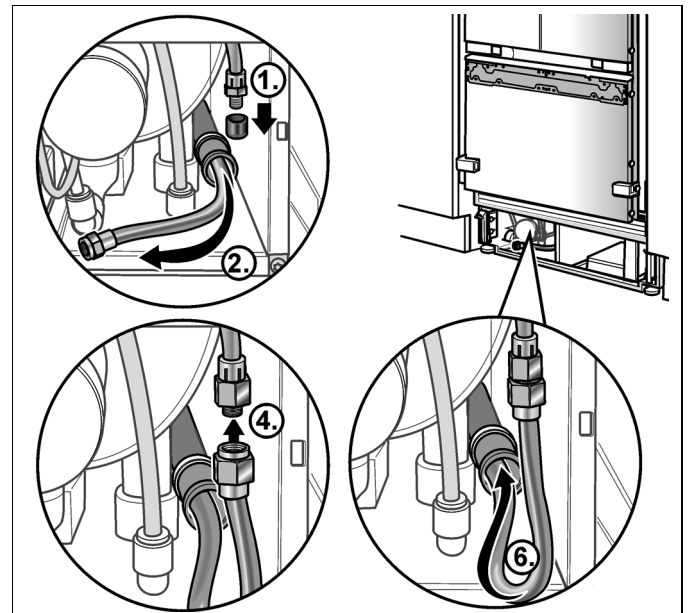


Connecting the appliance to the water supply

Note:

Do not kink the connection pipe when bending it, otherwise there is a risk of leaks and water damage.

1. Remove the plugs from the appliance connection.
2. Lay the water hose so that it ends at the appliance connection.
3. Slide the union nut and the sealing element onto the water hose.
4. Attach the water hose to the appliance connection and screw on the union nut.
5. Screw the union nut tightly using the fixed spanner. Do not over tighten!
6. Push water hose back as far as possible into the protective pipe.

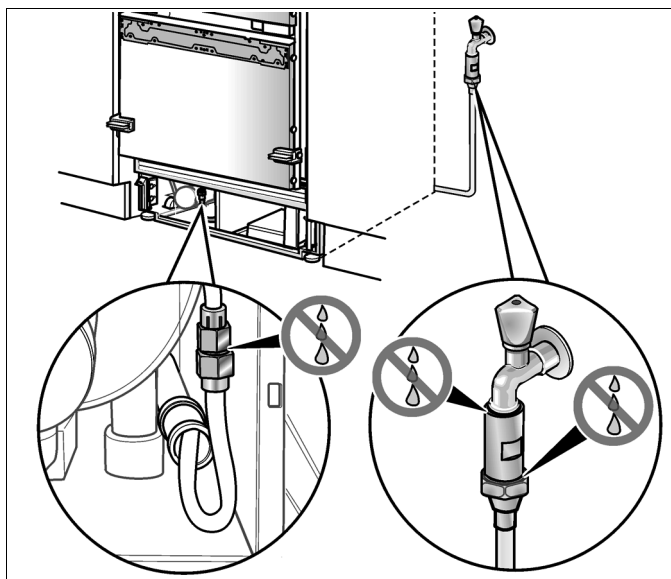


7. Turn the shut-off valve and the main water tap.





8. Re-examine the point of connection at the shut-off valve and the appliance connection for leaks.



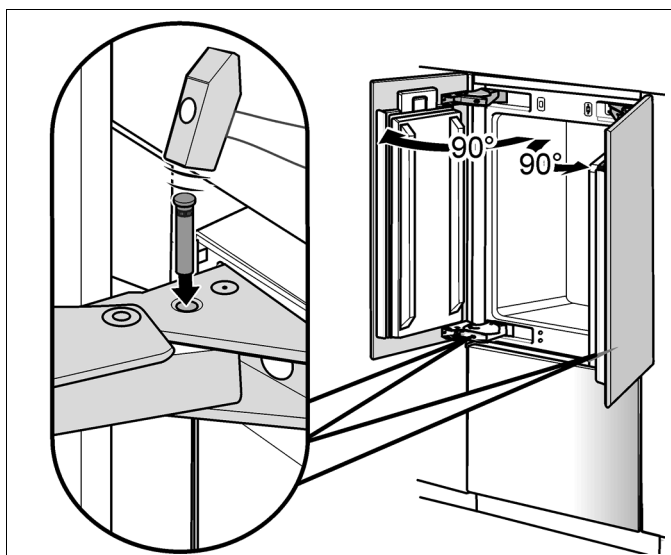
9. Close the shut-off valve.

Setting the door opening angle (refrigerator compartment door)

According to the set up conditions, it may be necessary to limit the door opening angle. A door opening angle of 115° is set at the factory.

To set the door opening angle to 90° :

1. Open the door to 90° .
2. Drive in the stop pin with a hammer.



Gaggenau Hausgeräte GmbH

Carl-Wery-Straße 34

D-81739 München

www.gaggenau.com