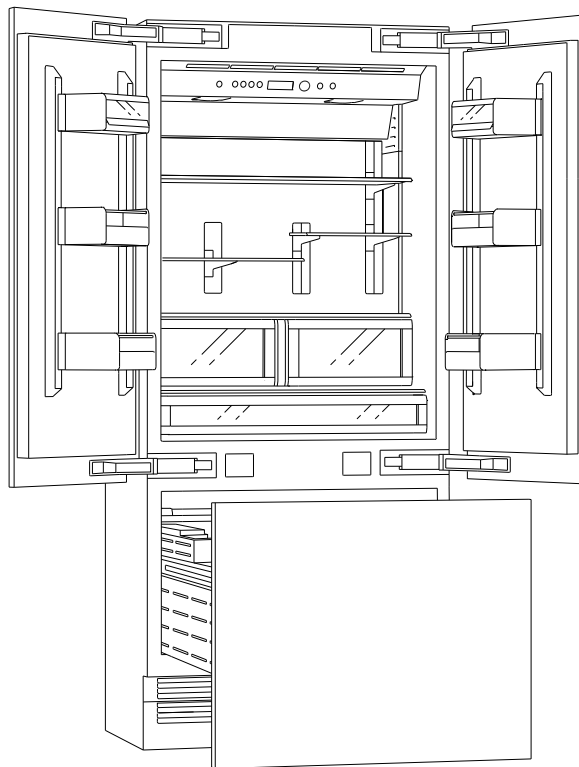


# RY 491



---

## Table of Contents

---

---

### Safety and warning information ..... 4

---

### Installation possibilities ..... 5

---

Stand alone appliance ..... 5

Stand alone appliance with dividing wall ..... 5

As an end section to a row of kitchen units ..... 5

Free-standing ..... 5

---

### Installing and connecting the appliance ..... 6

---

Installation location ..... 6

Climate classes ..... 6

Installation niche ..... 6

Neighbouring kitchen furniture ..... 6

Subsurface ..... 6

Electrical connection ..... 7

Water connection ..... 7

---

### Dimensions of the installation niche ..... 8

---

Setting-up as an stand alone appliance ..... 8

Location of the water connection ..... 9

---

### Appliance dimensions ..... 10

---

---

### Tools and accessories which are needed ..... 11

---

Scope of delivery ..... 11

Additional accessories ..... 11

Tools ..... 11

Miscellaneous ..... 11

---

### Installation instructions ..... 12

---

- A**
1. Check the installation niche ..... 12
  2. Transporting the appliance ..... 12
  3. Removing the packaging ..... 13
  4. Installation preparation ..... 13
  5. Attaching the anti-tipping brackets to the wall ..... 13
  6. Alternative anti-tipping device ..... 15
  7. Preparing the water connection ..... 16
  8. Attaching the edge protectors ..... 16

- B**
9. Sliding the appliance into the installation niche ..... 17
  10. Adjusting the appliance in the niche ... 18
  11. Fastening the appliance to the niche ceiling ..... 19
  12. Fastening the appliance to the side wall of the installation niche ..... 20
  13. Checking that the finger guard moves easily ..... 21
  14. Connecting the appliance to the water supply ..... 21

- C**
15. Fastening the plinth strip ..... 22
  16. Switching the appliance on ..... 23
  17. Preparing the furniture doors ..... 23
  18. Loading the appliance door ..... 24
  19. Fastening the adjusting rib to the furniture door (refrigerator compartment) ..... 24
  20. Hanging and aligning the furniture door (refrigerator compartment) ..... 25
  21. Fastening the adjusting rib to the furniture door (freezer compartment) ..... 26
  22. Hanging and aligning the furniture door (freezer compartment) ..... 27
  23. Mounting the furniture doors (refrigerator compartment) ..... 28
  24. Mounting the furniture door (freezer compartment) ..... 29
  25. Screwing on the lower fixing brackets ..... 30

**D**

---

26. Fastening the finger protector .....	31
27. Attaching the covers .....	31
28. Fitting the air separator .....	32
29. Setting the door opening angle (refrigerator compartment door) .....	32
30. Tensioning the hinge springs (refrigerator compartment door) .....	33

---

## Safety and warning information

---

These installation instructions are intended to help you install your new appliance.

The manufacturer cannot be held liable for installation which has been improperly carried out. We recommend that you allow a qualified specialist to set up and switch the appliance on for the first time.

It is essential to follow all the recommendations and keep to these instructions in order to ensure that the appliance is installed and put into operation safely.

Keep the installation instructions safe for use later on.

Before setting up and switching the appliance on for the first time, read the installation instructions fully and thoroughly.

### **Warning**

The appliances are very heavy and must be secured from tipping when transporting, when mounting and when operating. It is essential to fit an anti-tip device.

Keep the doors closed until the appliance has been fully installed and secured according to these instructions.

Because of the weight/dimensions of the appliance and to minimise the risk of injuries and damage to the appliance at least two people are required to set-up the appliance securely.

Use the appliances according to the prescribed only for the intended purpose.

Pull out the plug or remove the fuse before commencing work on the appliance.

Only allow a specialist electrician to exchange a mains lead.

Only allow customer service to carry out repairs to the appliance.

Apart from statutory national regulations, you should adhere to the connection terms applied by local electricity and water companies.

### **Caution!**

Setting up and installing this appliance requires extensive expertise in various fields (mechanics, carpentry, plumbing, electrics).

It is the duty of the person setting the appliance up to guarantee that it is set up and commissioned safely.

Mistakes in setting the appliance up and damage resulting from this do not come under the manufacturer's warranty. Terms of guarantee can be found in the operating instructions for the appliances.

### **Important information:**

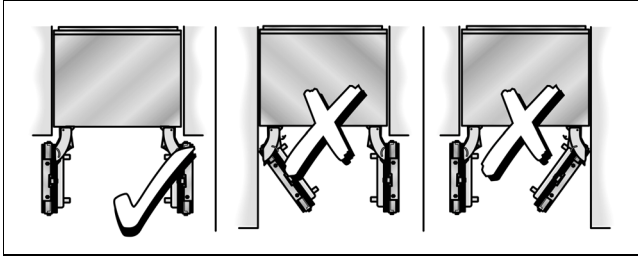
If the appliance is installed free-standing (in conjunction with the accessory kit RA 423 910), always follow the installation instructions which are enclosed with the accessory kit mentioned above.

They contain all the required installation steps to ensure that the appliance can be safely installed and started up.

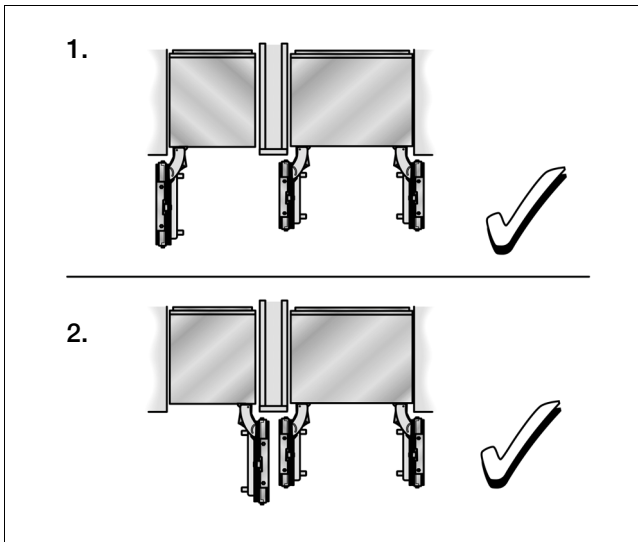
## Installation possibilities

Various installation possibilities are available. These are only limited by the kitchen design and the finger protection function.

### Stand alone appliance



### Stand alone appliance with dividing wall



#### Note:

- When measuring the dividing wall for model 2, pay attention to the thickness of the furniture front to be mounted in order to avoid damage when opening doors at the same time.
  - If the distance between the appliances is less than 160 mm, the auxiliary side heater must be used.
- Further information concerning this can be found in the section “Tools and accessories which are needed”.
- The minimum thickness of the dividing walls is 16 mm.

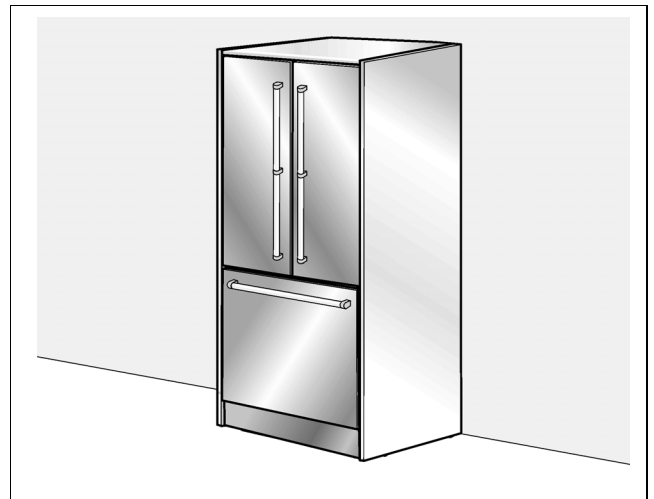
### As an end section to a row of kitchen units

If a side of the appliance is visible, use a side covering.

The side covering must be connected firmly to the wall, the floor and the upper cupboards before the appliance is slid into the installation niche.

The dimensions of the side covering are governed by the opposing niche wall. During installation, make sure that the installation niche has right angles and has the exact size necessary for the appliance.

### Free-standing



In conjunction with the accessory kit RA 423 910 (separate installation instructions for the appliance).

---

## Installing and connecting the appliance

---

### Installation location

**⚠ Caution!**

**The appliance is very heavy.  
Empty weight: 195 kg**

The appliance should be installed in a dry, well ventilated space.

The location should not be exposed to the direct sunlight and should not lie next to a source of heat such as a cooker or a radiator etc. If installation next to a source of heat cannot be avoided, either a suitable insulating plate should be used or you should keep to the following minimum distances:

- 3 cm to electric or gas cookers.
- 30 cm to an oil-fired or solid-fuel cooker.

### Climate classes

The climate class can be found on the rating plate. It states the room temperature within which the appliance can be operated.

---

Climate class	Permitted ambient temperature
SN	+10 °C to 32 °C
N	+16 °C to 32 °C
ST	+16 °C to 38 °C
T	+16 °C to 43 °C

---

### Installation niche

It is important to keep to the stated dimensions of the installation niche with a view to trouble-free fitting, and the subsequent appearance of the kitchen furniture frontage.

Special care should be taken that the niche has right angles. The side walls should not exhibit areas that stick out, projections or unevenness.

You should determine the right angles of the installation niche with appropriate means, e.g. by measuring diagonally and by using a spirit level.

The side walls and the upper end of the installation niche must be at least 16 mm thick.

### Neighbouring kitchen furniture

The new appliance is screwed down tightly using parts of the cabinet and the upper cabinet.

Care should therefore be taken, that all upper cabinets to which something has been fastened are securely connected to the subsurface or wall by appropriate means.

The minimum thickness of the base should be a minimum of 19 mm.

### Subsurface

**⚠ Caution!**

**A fully laden appliance is heavy.  
Weight: up to 540 kg**

The subsurface must be level and even in order to ensure that the appliance is securely installed and works correctly.

The subsurface must be made from a hard, non-flexible material.

The floor of the installation space must be the same height as the rest of the space.

On account of the weight of a fully-laden appliance, it is necessary to have a bearing subsurface. In the case of doubt, the help of architect or specialist builder should be enlisted.

## Electrical connection

The socket must be near the appliance and also freely accessible following installation of the appliance.

The appliance complies with the protection class I. Connect the appliance to 220–240 V/50 Hz alternating current via a correctly installed socket with protective conductor. The socket must be fused with a 10 A to 16 A fuse.

For appliances operated in non-European countries, check whether the stated voltage and current type on the rating plate match the values of your mains supply match the values of the mains supply. The rating plate is situated in the bottom left-hand side of the appliance.

### **⚠ Warning**

Never connect the appliance to electronic energy saver plugs. Our appliances can be used with mains and sine-controlled inverters. Mains-controlled inverters are used for photovoltaic systems which are connected directly to the power supply system. Sine-controlled inverters must be used for isolated applications (e.g. on ships or in mountain lodges) which are not connected directly to the national grid.

## Water connection

### **⚠ Warning**

#### **Only connect the appliance to a drinking water supply!**

The water may be connected only by a competent fitter according to the local regulations of the appropriate water supply company.

A cold water connection is necessary for operating the automatic ice maker. The water pressure must be between 0,2 MPa and 0,8 MPa (2,0 bar and 8,0 bar). The installation must correspond to the local plumbing regulations.

A separate shut-off valve should be installed in the cold-water inflow. The shut-off valve should not be located behind the appliance. It is recommended that you mount the shut-off valve directly next to the appliance or at another place which is easily accessible.

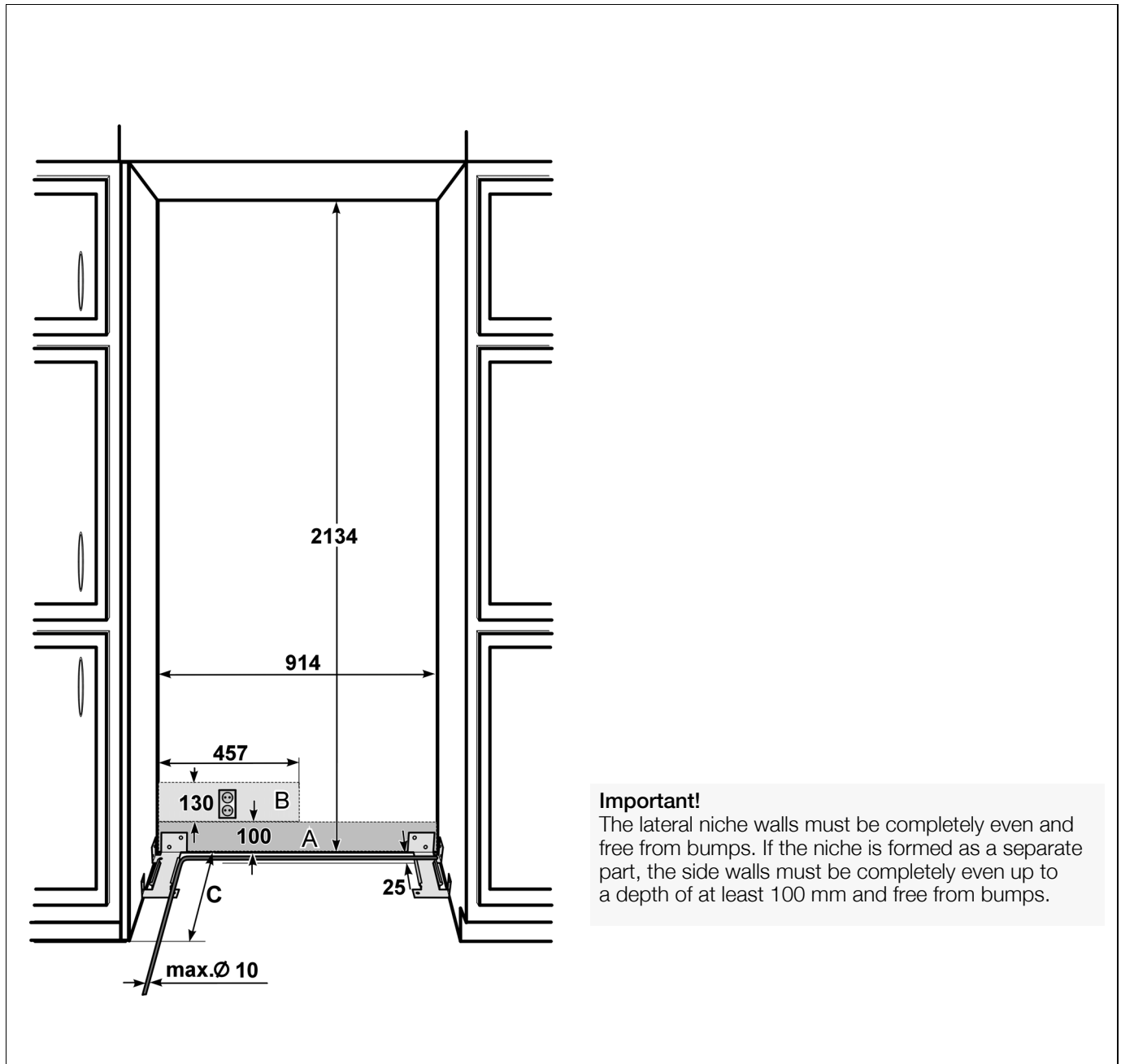
When installing the water connection, pay attention to the permissible installation area for the water mains.

For connection to the drinking water mains use only water pipes which are suitable for drinking water. Observe national regulations and the connection conditions of the local water supply companies.

The maximum outside diameter of the water mains (without connecting pieces) is 10 mm.

## Dimensions of the installation niche

### Setting-up as an stand alone appliance



#### Key:

A Area for installation of the water connection.

The shut-off valve for the appliance's water connection is to be located in the immediate vicinity of the installation niche so that it is accessible without disassembling the appliance. If this is absolutely unavoidable, the shut-off valve only should be installed in the installation areas labelled with A and B behind the appliance.

B Area for installation of the electric current.

C Depth of the installation niche, depending on the kitchen design C = 610 mm min.!

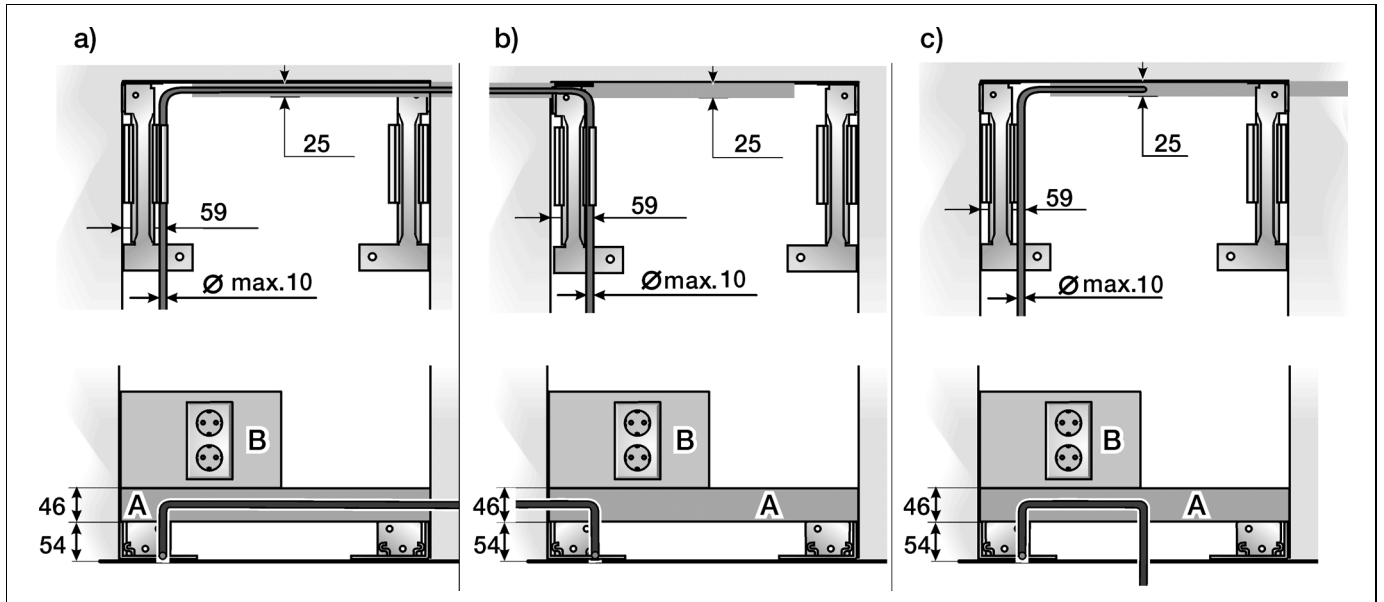
#### Note:

The installation niche must have right angles. The side walls should not exhibit areas that stick out, projections or unevenness.



## Location of the water connection

The mains supply can be laid to the appliance from the right-hand side (a), from the left-hand side (b) or from the space below the appliance (c).

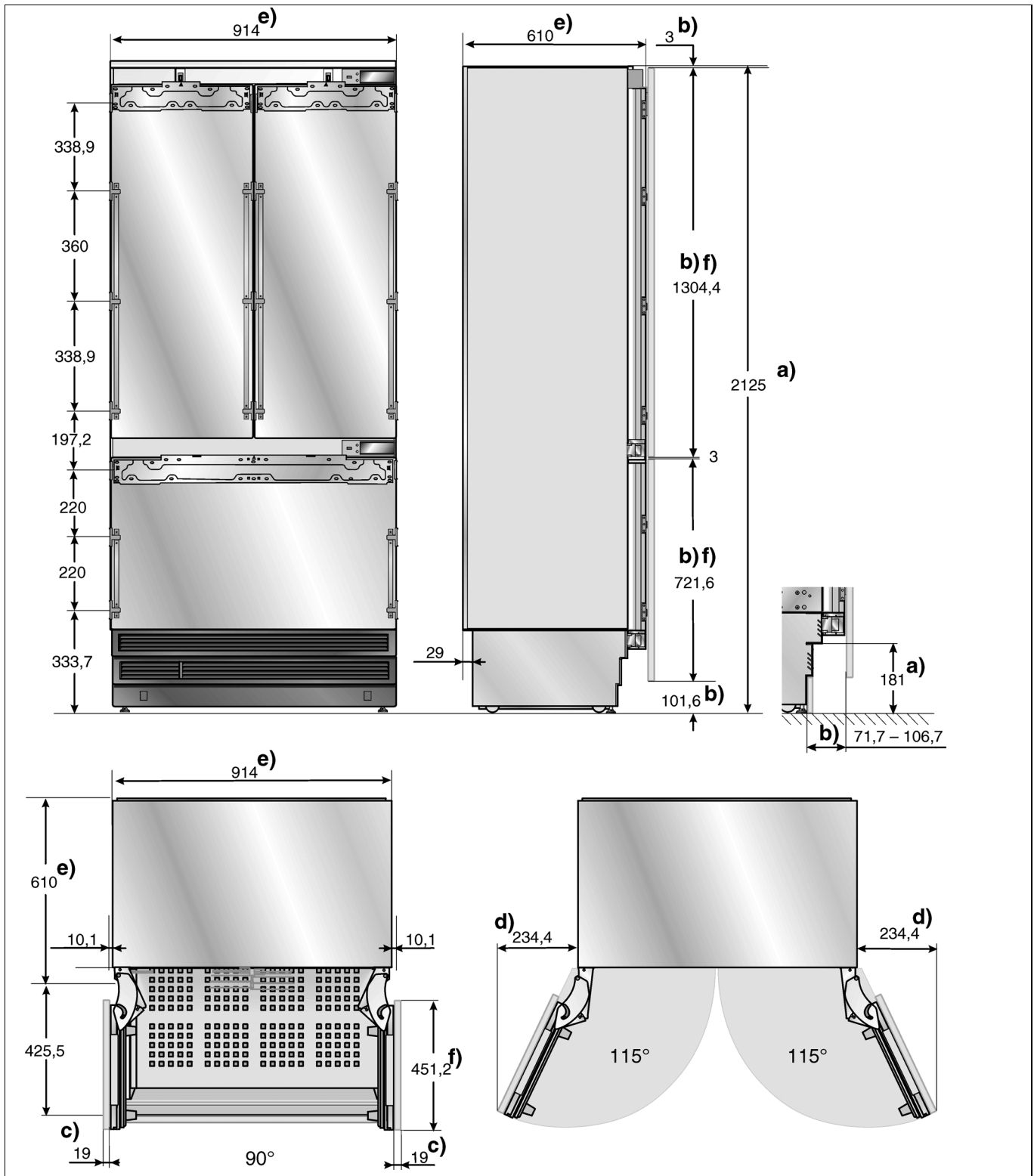


### Key:

A Area for installation of the water connection

B Area for installation of the electric current

## Appliance dimensions



### Key:

An example is shown with a continuous furniture frontage.

- a) The adjustment range of the appliance feet is +35 mm/-13 mm.
- b) Dimensions can vary.
- c) The thickness of the door covering can vary

- d) This dimension can vary, depending on installation, thickness of the furniture door to be mounted and the neighbouring kitchen furniture.
- e) Dimensions of the appliance
- f) Dimensions of the furniture door

---

## Tools and accessories

---

### which are needed

---

#### Scope of delivery

- Installation manual
- Operating instructions
- Installation accessories

#### Additional accessories

##### Lateral additional heating

Necessary when the distance between two appliances is less than 160 mm.

##### Connecting element for furniture doors

For connecting two furniture doors (see explanation in section “17. Preparing the furniture doors”). It can be used for standard height furniture doors without any preparation work.

#### Tools

- T20 rechargeable screwdriver
- T20 Torx screwdriver
- T20 Torx-bit magnetic holder
- 8 mm socket wrench
- Various size drills
- Fixed spanner SW 13 mm
- Adjustable spanner
- Knife with an adjustable blade
- Metal tape measure
- Try square
- 60 cm and 120 cm spirit levels
- Straight edge  
for stand-alone appliances min. 120 cm long

#### Miscellaneous

- Step ladder
- Roll trolley, fork-lift trolley or sack trolley
- Hammer drill for drilling holes into the wall and floor
- Various size drills for various materials
- Various size wood screws
- Thin (1.5 mm), material suitable for protecting the floor against damage (e.g. linoleum)
- Suitable material for covering and protecting the cabinets (e.g. protective film)
- Adhesive tape

##### Note:

Before using, check whether the removed adhesive tape leaves adhesive residue on the work surfaces! Otherwise do not use on high-quality work surfaces.

## Installation instructions

The following installation instructions describe the stages for installing various different models of appliance.

Therefore, there may be differences from that shown in the diagrams.

Special reference is made where there are specific installation stages for particular appliances.

### 1. Check the installation niche

#### ⚠ Caution!

**In order to guarantee secure, trouble-free installation and an optimal overall impression of the adjacent cabinet frontage careful care should be taken in ensuring that the installation niche corresponds to the installation requirements.**

Before starting with the installation, check that the installation niche corresponds to all of the requirement for a secure and trouble-free installation.

- Check the subsurface.  
Follow the notes in the section “Installing and connecting the appliance”.
- Check the dimensions of the niche.
- Re-examine whether the niche has right angles.
- Check the positioning of the socket.

Also follow the instructions in the sections “Electrical connection” and “Dimensions of the installation niche”.

- Check the positioning of the water connection (for appliances with ice maker)  
Also follow the instructions in the sections “Water connection” and “Dimensions of the installation niche”.
- Re-examine the stability and fastening of the neighbouring cabinet parts. All cabinet parts in the vicinity of the appliance have to be firmly connected to the wall.
- Check that when opening the appliance door, it does not collide with adjacent items in the kitchen (for door opening angle).

### 2. Transporting the appliance

#### ⚠ Warning

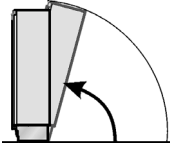

**The appliance is very heavy. Handle it carefully, as otherwise people helping to lift it could be hurt or the appliance could be damaged.**

Transport the appliance using a device that is suitable for the appliance and the local (sack trolley, fork-lift trolley or roll trolley).

When transporting, secure the appliance from being tipping over.

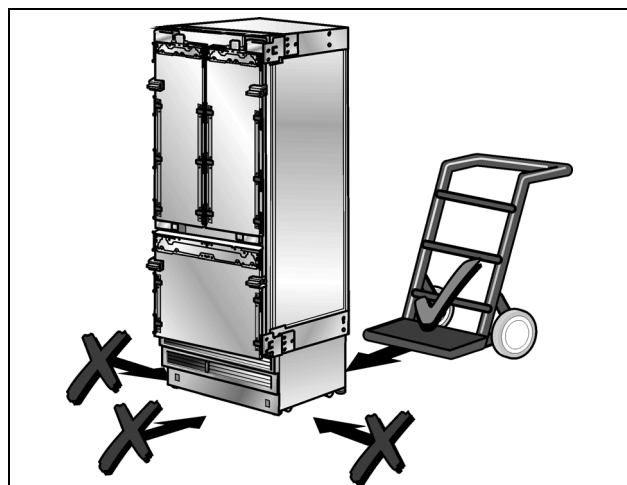
The appliance has a height of 2125 mm. If it is not possible to support the appliance in a vertical position because of the structure of the building, the appliance can be transported on its side.

When putting the appliance up, pay attention to the minimum height that is required at the assembly location according to the following table.

	Putting the appliance upright by tilting backwards	Putting the appliance upright by tilting sideways
		
All types	218.5 cm	<b>Never put the appliance upright by tilting sideways!</b>

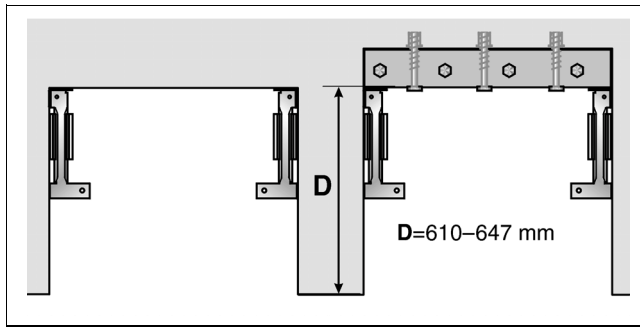
#### ⚠ Caution!

**Always place the means of transport centrally on the rear side of the appliance. Never push it in from the front or from the side under the appliance. Risk of damage to the appliance!**



- Move the appliance using sack trolley, fork-lift trolley or roll trolley.



**A**

- If an installation niche is deeper than the appliance, lay a strong wooden plank behind the anti-tilt ribs and screw tightly to the subsurface or the wall.

The length of the plank should correspond to the width of the installation niche!

**Note:**

As far as possible, always screw the wooden plank to the rear wall of the niche.

**Subsurface wooden floors**

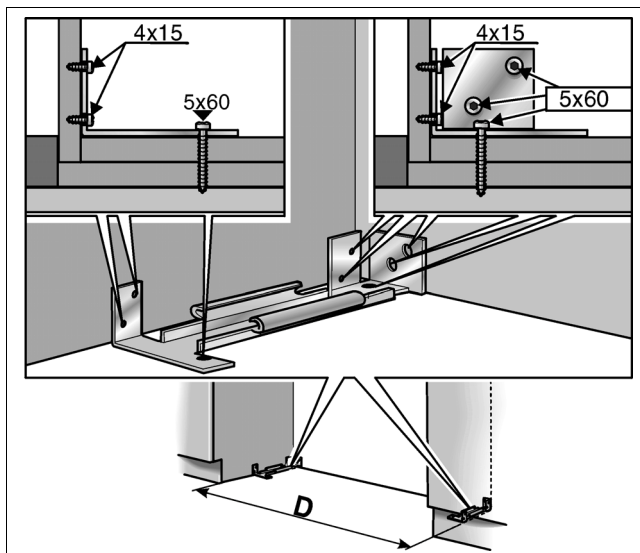
The wood screws (5 x 60 mm and 4 x 15 mm) which are supplied should be used for wooden floors.

- Drilling guide holes:

3 mm for the wood screws (5 x 60 mm)

2 mm for the wood screws (4 x 15 mm)

Ensure that the screws 5 x 60 at least take a hold (19 mm) in the solid subsurface.



- Tightly screw the anti-tilt ribs. Re-examine to make sure that the screws are firmly tightened.

**Subsurface concrete**

**Warning**

**When installing or working with floor anchors always use protective glasses and other protective equipment or protective clothing – risk of injury!**

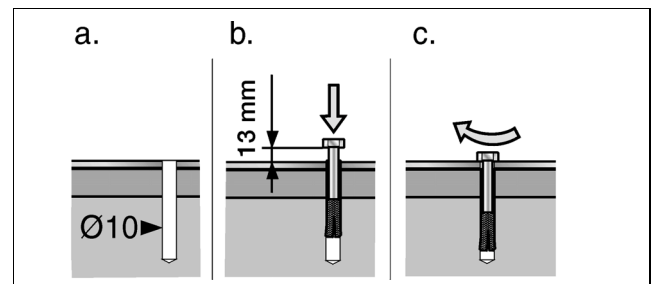
Floor anchors are not suitable for use in connection with lightweight construction masonry, breeze blocks or tiles.

Never use floor anchors in fresh concrete which has not hardened.

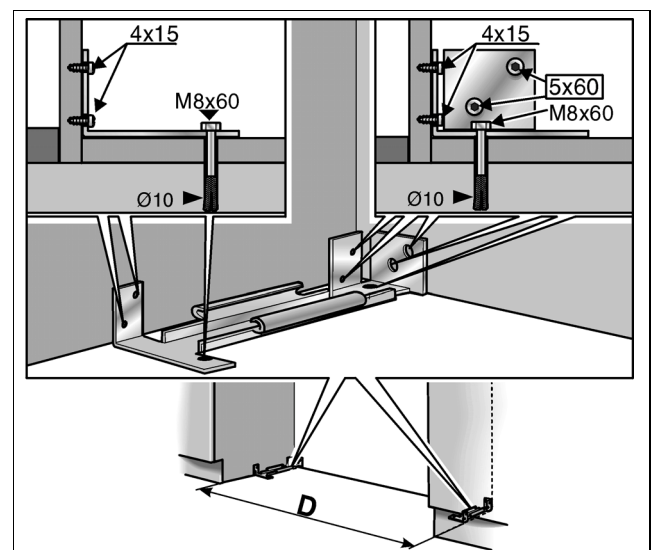
In drilling holes for these floor anchors, do not use core drills.

Use a floor anchor M8 and a screw M8. Additionally use the (5 x 60 mm and 4 x 15 mm) woodscrews supplied.

- Drill a hole with a 10 mm diameter having a depth a little more than the raising depth. Use the drill supplied.
- Clean the hole or drill a little deeper.



- By hand, screw into the dowel until you can feel resistance.
- Strike the dowel and screw into the hole until the head of the screw has a 13 mm distance to the anti-tilt securing device.
- Screw tightly.



- Additionally use the supplied wood screws (if the subsurface allows).

## 6. Alternative anti-tipping device

### Important note:

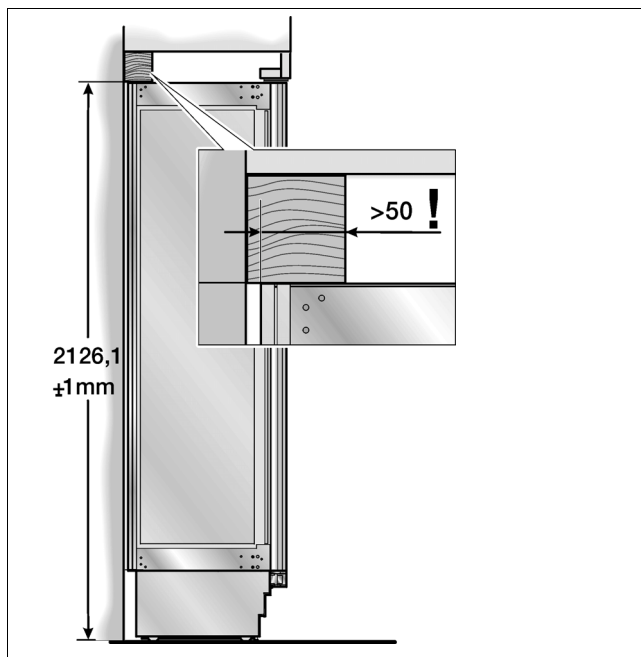
If the anti-tilt ribs cannot be fastened securely, a wooden beam can be used above the appliance as an alternative anti-tilt mechanism. Care should be taken that there is not a gap between the appliance and the wooden beam.

As far as possible, always screw the wooden plank to the rear wall of the niche.

- Cut the wooden plank to the required length (cross section min. 8 x 10 cm). The length should correspond to the width of the installation niche!

### Note:

- If the installation niche is deeper than the appliance, select a stronger beam or use two, one behind the other.
- The plank must overlap the appliance by at least 50 mm.



- Mark the installation height (underside edge of the plank) on the rear wall of the niche.

- Select the screws according to the thickness of the wooden plank: Length min. 2.5 x wood thickness, diameter 12 or 14 mm. Select the number of screws corresponding to the niche width so that you ensure that the plank can be securely mounted.

According to the subsurface:

- Look for the supports on the rear wall of the niche and mark the drill holes on the plank corresponding to the position of the support.
- or
- Fasten suitable dowel into the rear wall.
- Pre-drill.
- Screw the plank onto the rear wall of the niche.

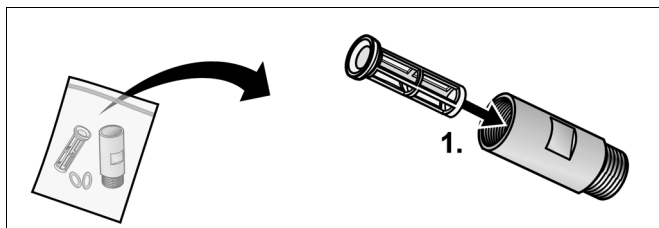
# A

## 7. Preparing the water connection

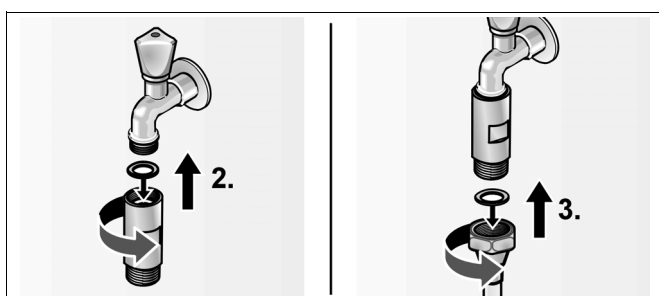
(only for appliances which require a water connection)

### ⚠ Warning

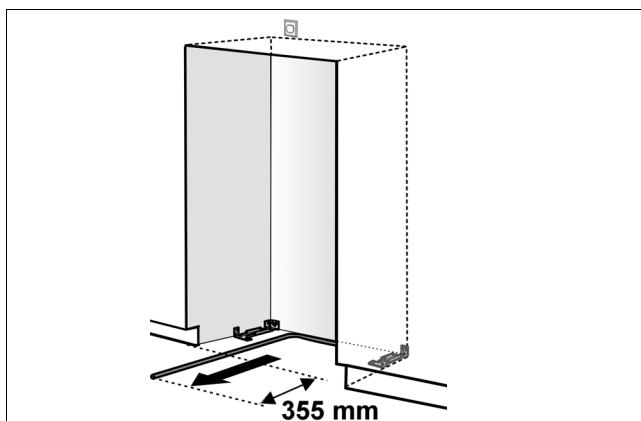
Turn off the main water tap in order to avoid damage from escaping water.



- Insert filter screen into the filter housing (1.).

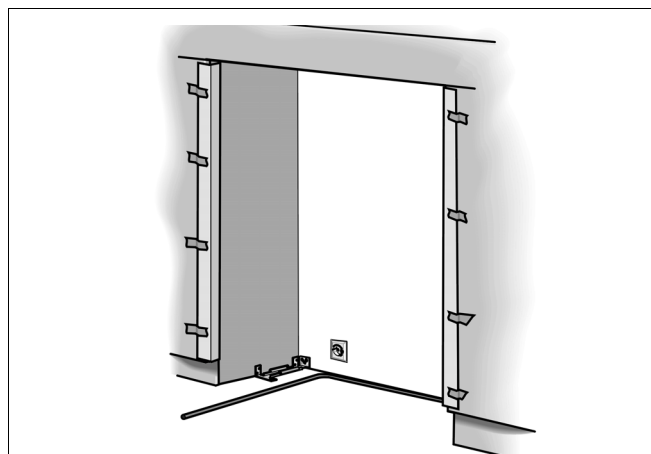


- Place seal in the filter housing and connect to the tap ( $\frac{3}{4}$ " threaded connection) (2.).
- Using an open-end wrench, connect water supply hose with seal to the filter housing (3.).



- Lay the connection pipe. Always keep to the given installed area in order to avoid damaging the connection pipe when sliding the appliance in later.

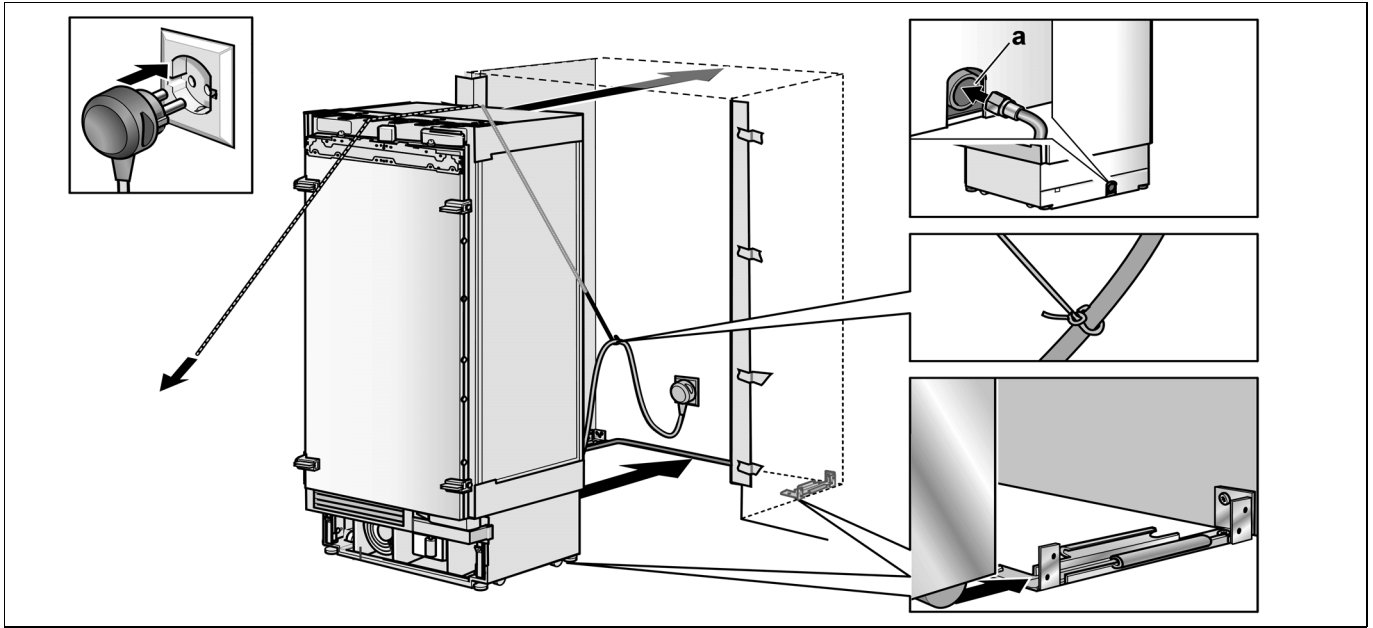
## 8. Attaching the edge protectors



- In order to protect the edges of the installation niche, attach the supplied protection ribs with the adhesive tape.



## 9. Sliding the appliance into the installation niche



### **⚠ Warning**

Be careful when sliding the appliance into the installation niche. Do not damage the water connection or power cord.

### **Note:**

If the floor or appliance is skew in relation to the installation niche, the height-adjustable wheels should be correspondingly adjusted before sliding the appliance into the niche.

- Plug the mains plug into the socket.
- Protect the mains lead from getting wedged under or behind the appliance.

Recommended procedure:

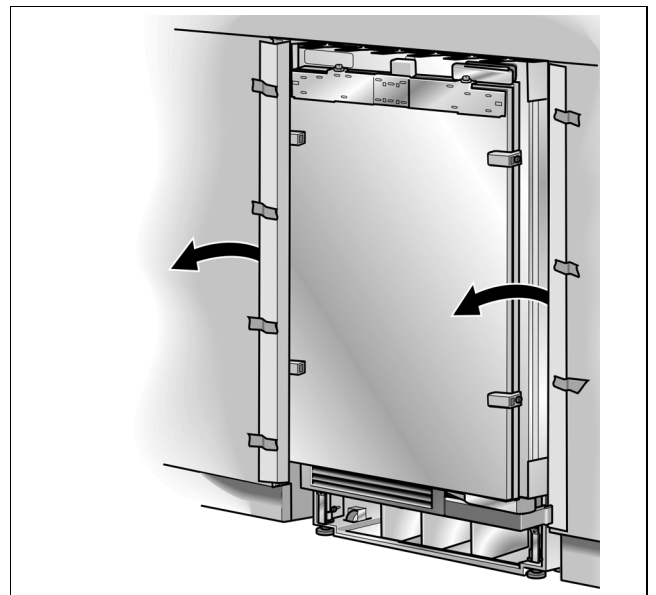
Tie a piece of string in the middle of the power cord and guide the string forwards over the appliance. When pushing the appliance into the cavity, pull the cable upwards with the string.

- Insert water connection line into the protective pipe on the rear of the appliance.

### **⚠ Warning:**

The appliance may tilt when the water connection line is inserted into the protective pipe (a)!

- Slide the appliance carefully into the niche until the height-adjustable wheels grip into the anti-tilt mechanism.

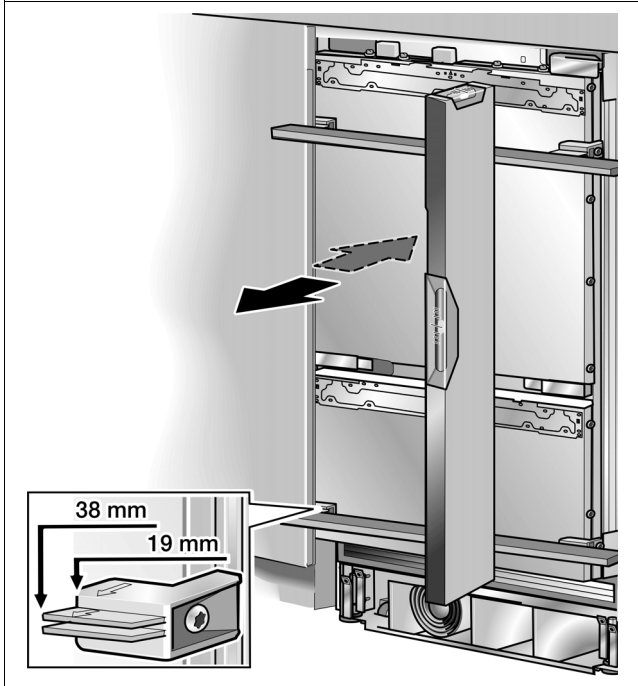


- Remove the edge protector of the installation niche.

## 10. Adjusting the appliance in the niche

**B** ⚠ Caution!

Never use a power-driven screwdriver for setting the height of the appliance.  
Risk of damage to the appliance!



- Adjust the appliance to the existing furniture.
- Keep the straight edge on the door, above the positioning supports.

The positioning supports are set out for the following overall strengths of the furniture doors to be mounted.

- 19 mm
- 38 mm

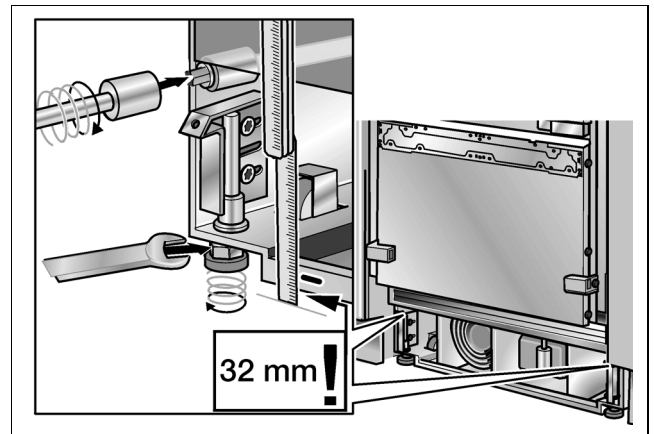
Re-examine the actual thickness of the doors to be mounted in order where necessary, to be able to compensate possible digressions.

The height-adjustable feet on the front and rear can all be adjusted from the front.

Front: with a fixed spanner SW 13 mm.

Rear: with a 8 mm socket spanner with flexible shaft.

There is a mark on the base of the appliance which serves as a standard measurement for setting the height. When setting the height, raise the mark to 32 mm above the ground.



- Screw the height-adjustable screws as far downwards as possible until the marking on the base has reached the given height (32 mm).

### Note:

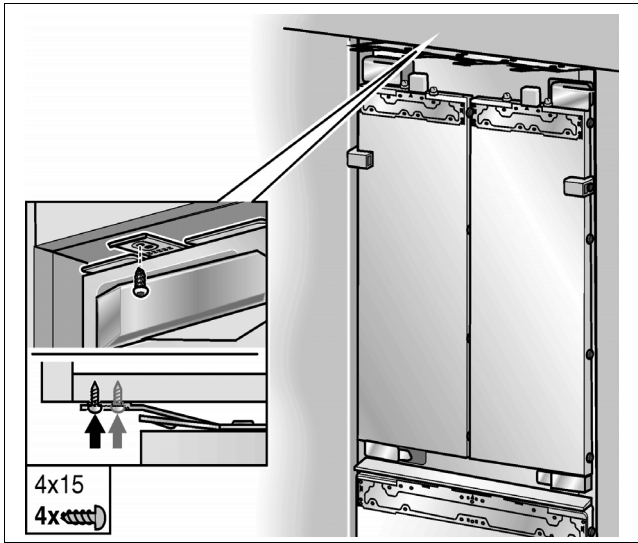
This dimension is very important for the subsequent adjustment of the cabinet frontage.

- Adjust the front of the appliance with the spirit level.

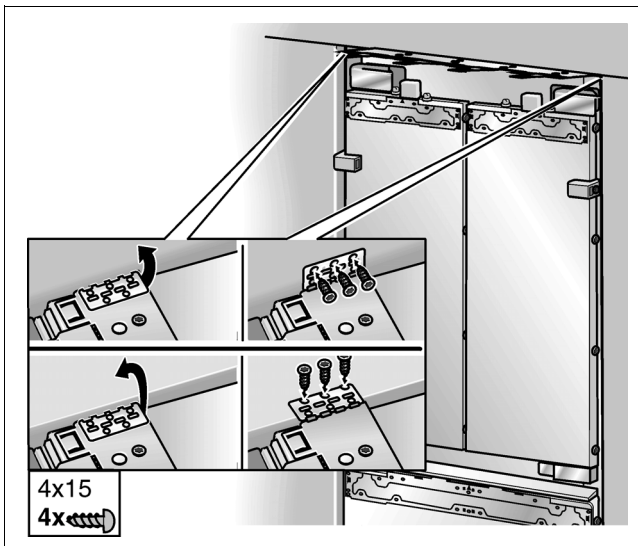
### Note:

- Do not tip the appliance in the niche! When screwing down the height-adjustable feet, proceed step by step. Lower by alternating left to right.
- The rear feet can be set more easily if the appliance is not loaded at the rear.
- Do not brace the appliance against the anti-tipping device brackets, do not place the appliance beyond the stop on the anti-tipping device bracket!

## 11. Fastening the appliance to the niche ceiling



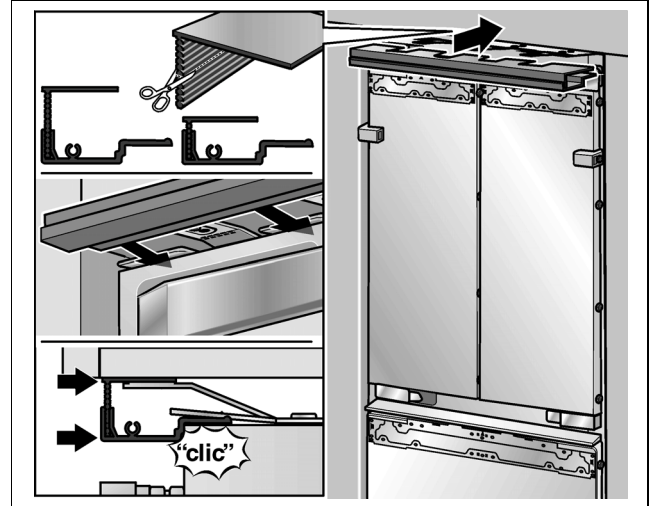
- Screw on the front bars of the fastening sheets (above) with the upper cabinets.



- Fasten the lateral bars of the fastening sheets (above) in each case, according to the installation conditions.

### Note:

- If there is no or only a small crack available, the lateral bars do not have to be fixed.
- If there is a large crack available above the appliance, integrate a wooden plank above the appliance and pay attention that the crack is completely filled



- Attach the covering ribs onto the fastening sheets (above), cut the connection ribs to the desired height!

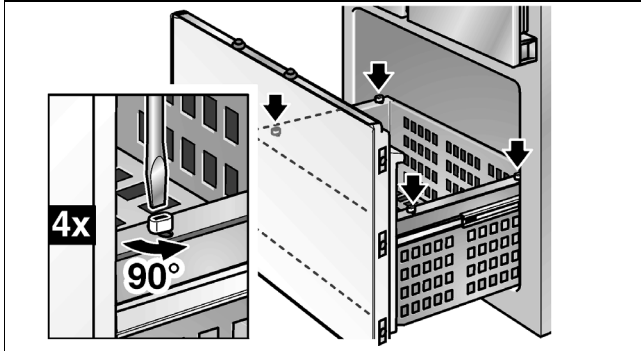
## 12. Fastening the appliance to the side wall of the installation niche

**B**

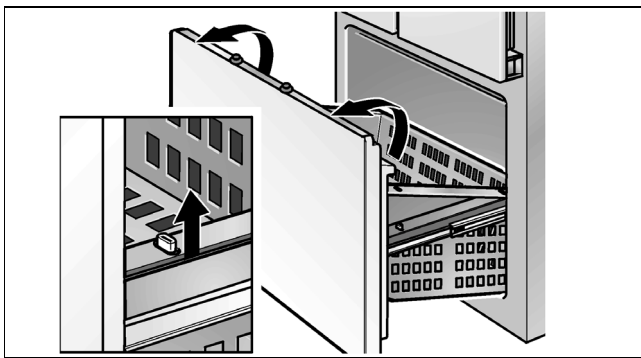
To attach the appliance at the side, first take the drawers out of the freezer compartment.

### Note

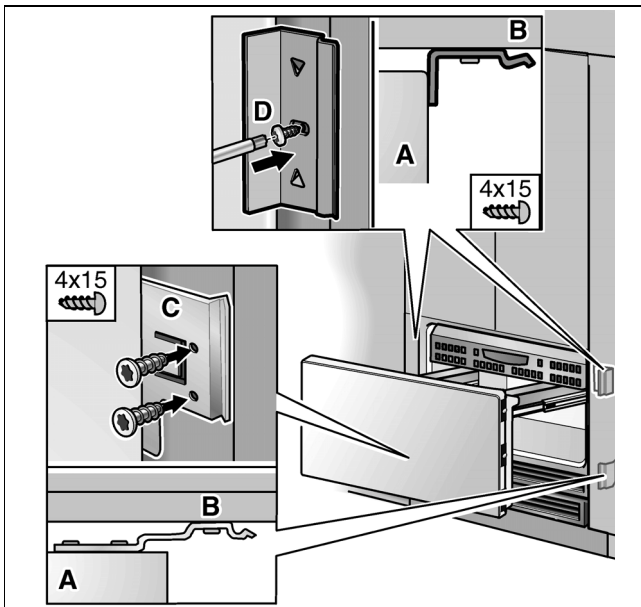
The upper drawer must first be removed before the door drawer can be taken out.



- Turn the fastenings on the pullout section by 90° using a screwdriver.

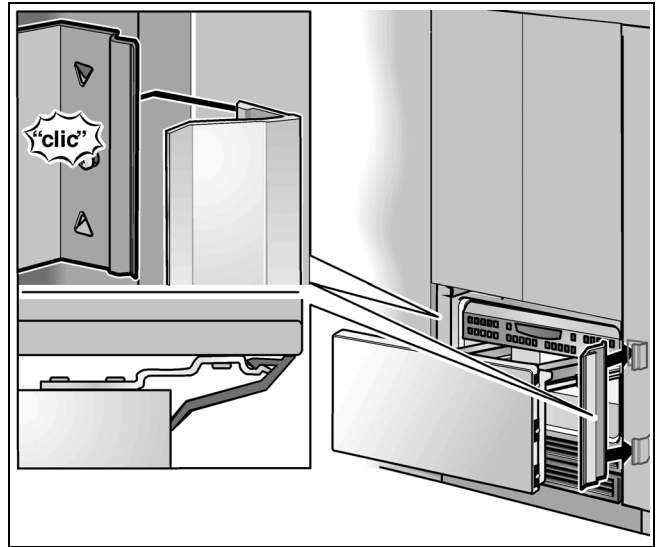


- To take out, lift the drawer slightly and take out.



- A Appliance
- B Cabinet part

- Screw on the bars of the fastening sheets (C) with the cabinet parts located next to them.
- Screw on the angle (D) for fastening the cover ribs.



- Attach the cover ribs to the fastening plates and the angles.

Re-insert drawers:

- To place in, lift the front of the drawers slightly and insert in the pullout section. Lower the drawer and slide it backwards.
- Turn the fastenings on the pullout section by 90° using a screwdriver.

### 13. Checking that the finger guard moves easily

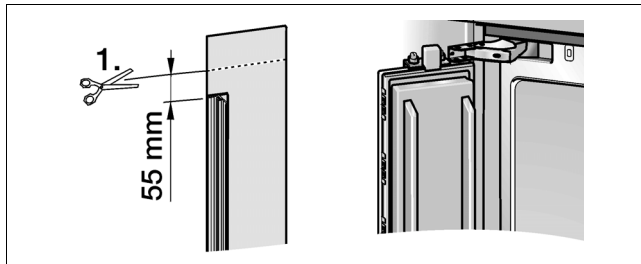
It is now essential to check that the finger guard moves easily. At a later time any required corrections will be more difficult.

**Note:**

The finger guard must be shortened to the required length on account of the different installation positions.

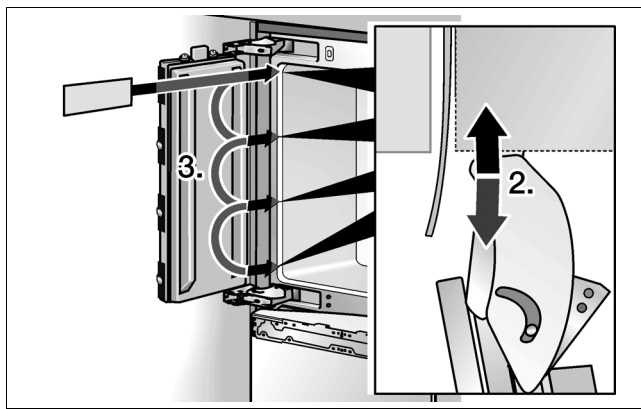
On both doors of the refrigerator compartment:

- Shorten finger guard on the upper side 55 mm above the cover strip (1.).



- Push the cut remnant on the hinge side into the gap between the appliance and cavity wall.

It must be possible to push in and pull out the part easily (2.)!



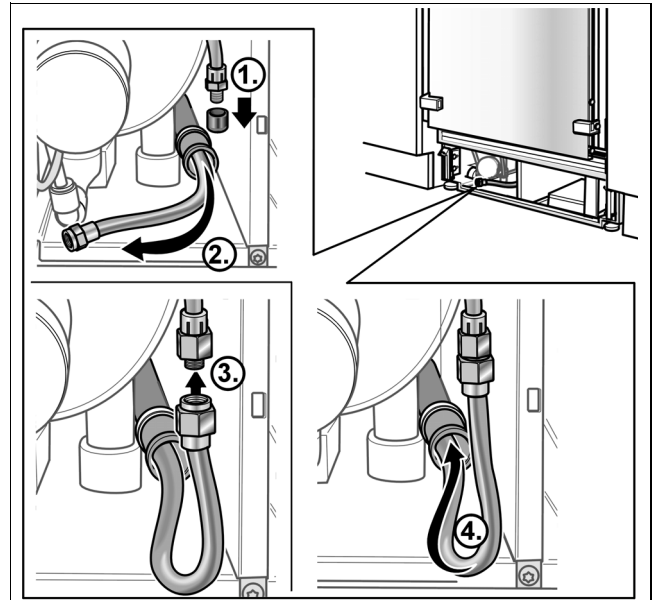
Check ease of movement over the entire height of the door (3.).

### 14. Connecting the appliance to the water supply

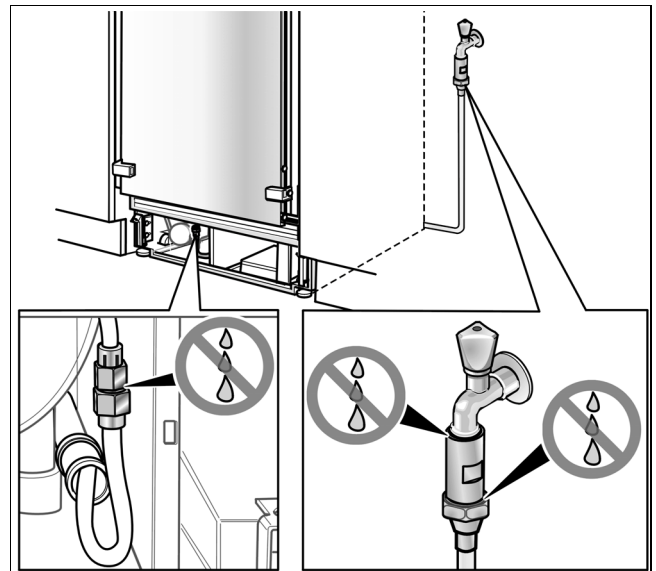
**⚠ Caution!**

**Do not kink the hosepipe when bending, otherwise there is the risk of water damage and leakage.**

Supplied, is a flexible hose for a domestic mains connection 3/4". Care should be taken that the sealing elements supplied are fitted to the appliance and the shut-off valve!



- Remove the plugs from the appliance connection (1.).
- Lay the water hose such that it ends at the appliance connection (2.).
- Slide the union nut and the sealing element onto the water hose.
- Attach the water hose to the appliance connection and screw on the union nut (3.). Screw tightly, using manual force.
- Screw the union nut tightly using the fixed spanner. Do not over tighten!
- Push water hose back as far as possible into the protective pipe (4.).
- Turn the shut-off valve and the main water tap.



- Re-examine the point of connection at the shut-off valve and the appliance connection for leaks.

**⚠ Warning**

**There must be no leaking water! If required, tighten the threaded connections with a higher torque.**

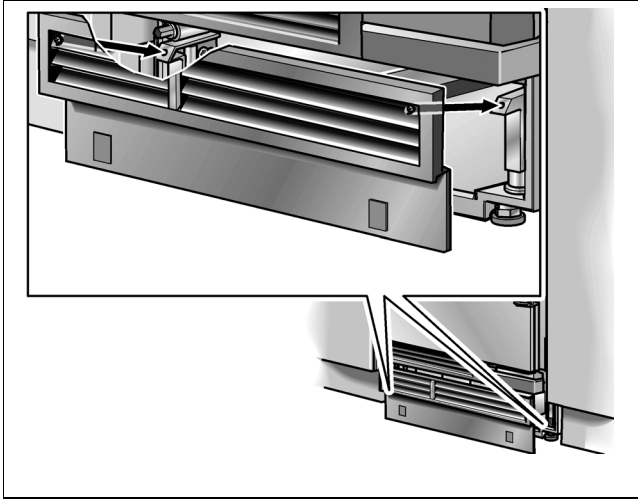
- Close the shut-off valve.

## 15. Fastening the plinth strip

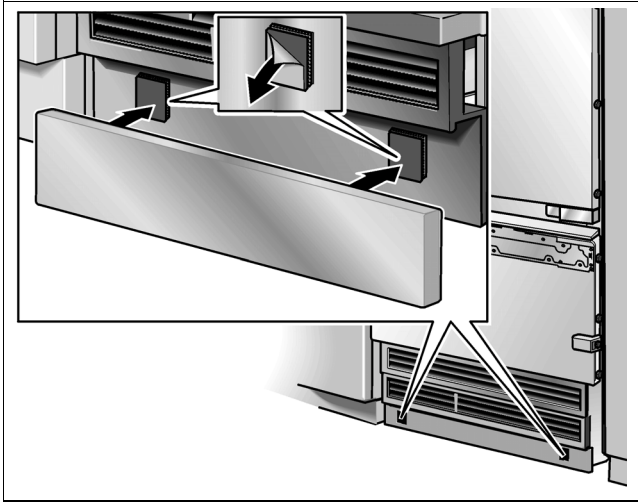
**⚠ Caution!**

From the floor upwards, the maximum height of the base strip is 10.1 cm. Never cover the ventilation slits with the base panel. Risk of damage to the appliance.

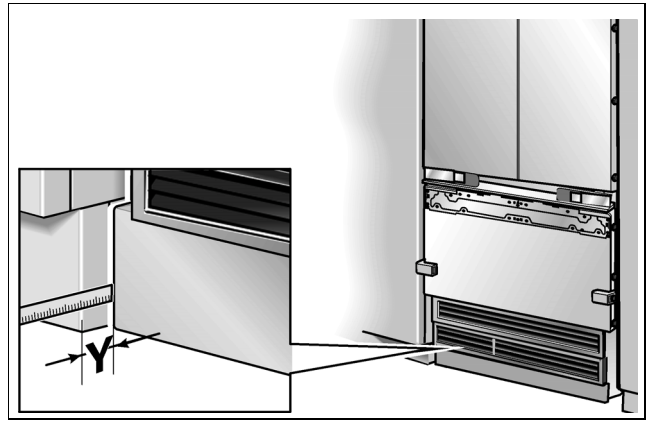
- Where necessary, cut the base strip to the required length.



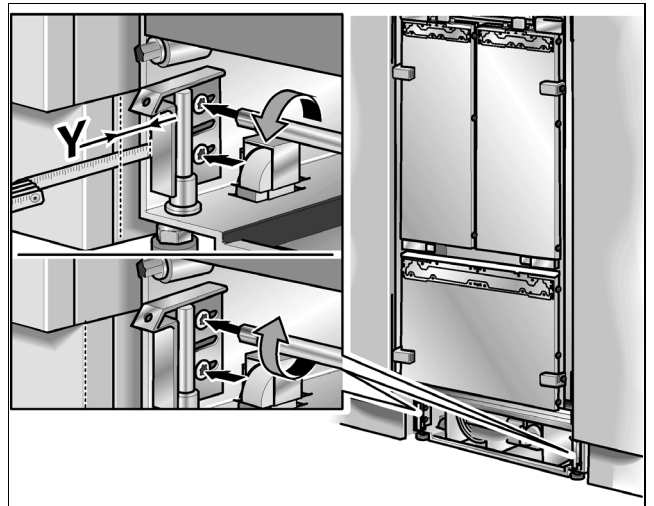
- Attach base panel to the appliance.



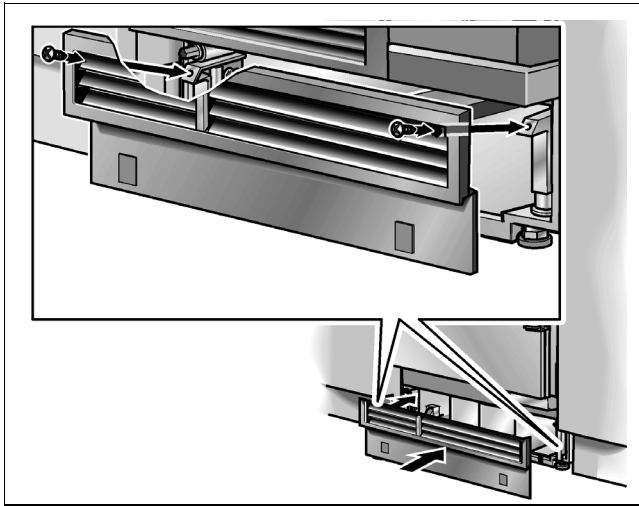
- Take the protective film off from the adhesive pads on the Velcro strip.
- Put the base strip onto the base panelling and push firmly.



- Measure the difference in depth **Y** between the base panelling and the base strip of the adjacent lower cabinets.
- Remove the base panelling again.
- Loosen the fastening joint of the base panelling.



- Take out/slide in the joint around the measured depth **Y**.
- Screw the joint again tightly.



- Fasten the base panelling.

**Note:**

If necessary, the base strip can also be screwed to the base panelling. Pre-drilled screw holes are located in the base panelling in the area of the Velcro strip.

## 16. Switching the appliance on

The appliance should now be switched on for the first time in order to ensure that the following installation stages can be carried out accurately and that the kitchen units have the correct appearance.

- Open the appliance door.
- Actuate the appliance's on/off button.

Only for appliances with a water connection:

To avoid the risk of damage from water leaking out if the water pipe has been damaged, keep the shut-off tap closed.

## 17. Preparing the furniture doors

**Important note:**

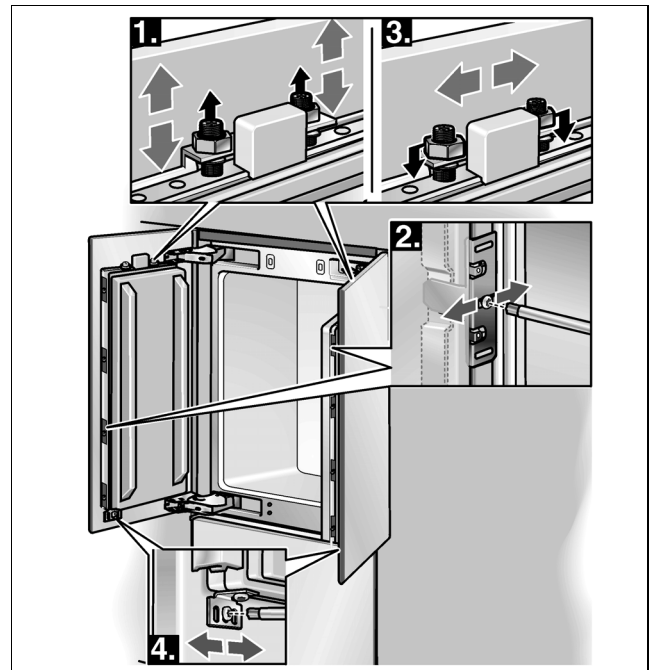
When working on the furniture doors, care should be taken to the following:

- Always carry out screwing jobs on the most stable part of the furniture door. Never screw into fillings or similar areas.
- Always selects screws with a length smaller than the thickness of the cabinet front.
- Protect the surfaces of the furniture doors during installation against damage.

The overall weight of the furniture door including the handle should not exceed the following values:

Overall width of the furniture door	
Refrigeration compartment door	2 x 13 kg
Freezer drawer	13 kg

The furniture doors are attached to the appliance with the fastening elements located on the appliance. By using these fastening elements, the furniture door can be adjusted accurately and securely attached to the appliance.



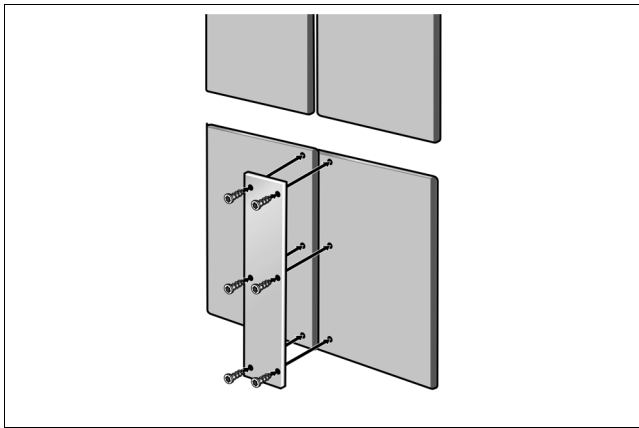
Function of the various parts:

1. Threaded rod on the adjusting rib:  
for adjusting the furniture door vertically.
2. Fixing bracket:  
for adjusting the cabinet frontage in terms of depth.
3. Nuts on the threaded rod:  
for securing the cabinet front in order to prevent lateral sliding.
4. Lower fixing bracket:  
for securing the cabinet front in order to prevent lateral sliding



## Connecting element for furniture doors

Instead of one large door, two furniture doors can be mounted next to each other in the case of appliances with a width of 91 cm. These furniture doors are then connected using a metal strip on the rear.



This metal strip is available from your dealer as an installation accessory (connection element for furniture doors). For further details see section "Tools and accessories".

When attaching the metal strip to the furniture doors, watch out for the maximum possible length of the screws and the position of the drill holes. Always carry out screwing jobs on the most stable part of the furniture door. Never screw into fillings or similar areas.

### Note:

If only one door is to be mounted to an appliance with a width of 91 cm, attach the supplied sandwich plate to the adjusting rib and fix into position.

## 18. Loading the appliance door

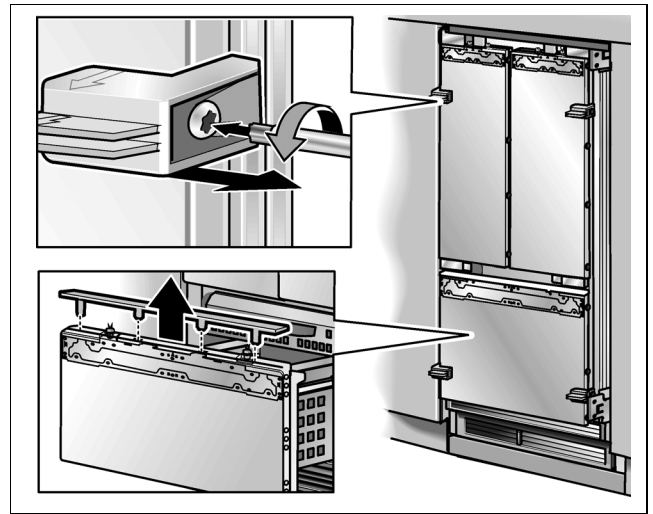
When attaching the furniture doors it is recommended to load the storage sections in the door with weights in order to ensure that the when adjusting crack dimensions turn out to be as precise as possible.

Loading recommendations:

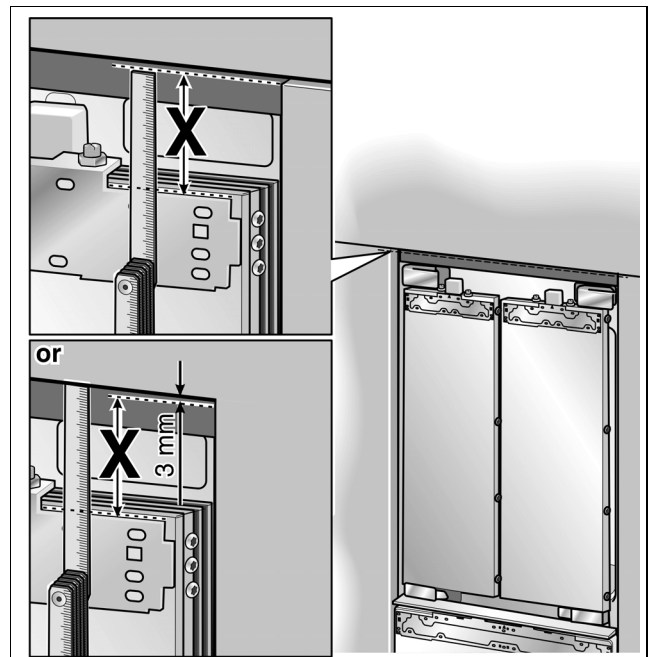
Loading of the furniture door	
Refrigeration compartment door	2 x 12 kg
Freezer drawer	10 kg

## 19. Fastening the adjusting rib to the furniture door (refrigerator compartment)

The adjusting rib is the most important tool for adjusting the cabinet frontage.

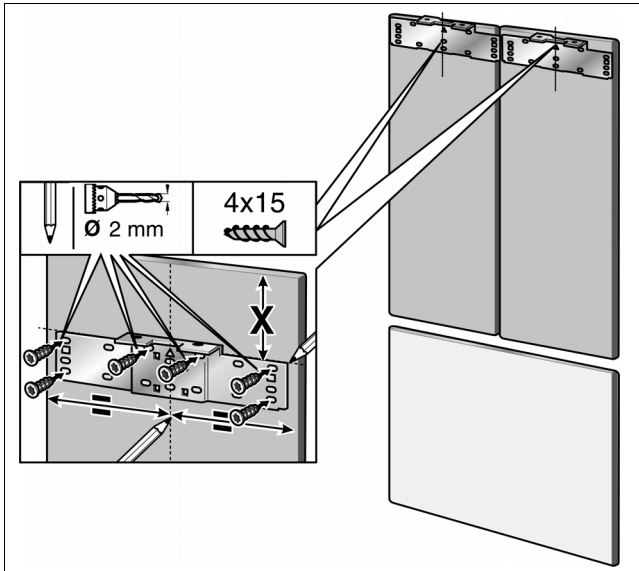


- Unscrew the positioning aids from the appliance door. The positioning aids will still be needed in the course of fitting.
- Remove the covering rail from the freezer room drawer.



- Measure the distance **X** between the adjusting rib and the upper edges of the neighbouring furniture doors.

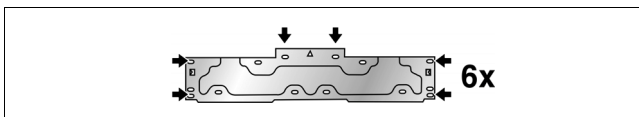




- Mark this value **X** on the rear side of the furniture door.
- Measure the middle of the door and mark it.
- Loosen the two nuts and remove the adjusting rib.
- Rest the adjusting rib on the furniture door and align to the markings. Mark the drill holes.
- Pre-drill the holes.
- Tightly screw the adjusting rib.

**Note:**

- Attach the adjusting rib with at least 6 screws on the furniture door. One screw should be screwed in under each threaded rod.

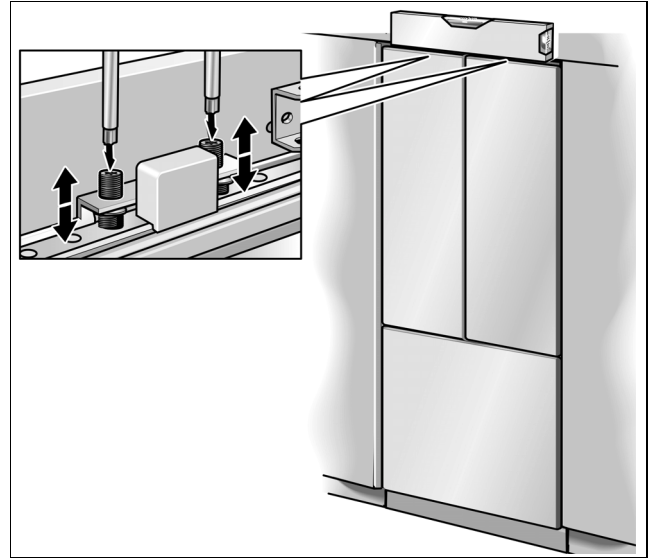


- The adjusting rib has a various holes for different furniture door design variations. Always carry out screwing jobs on the most stable part of the furniture door.

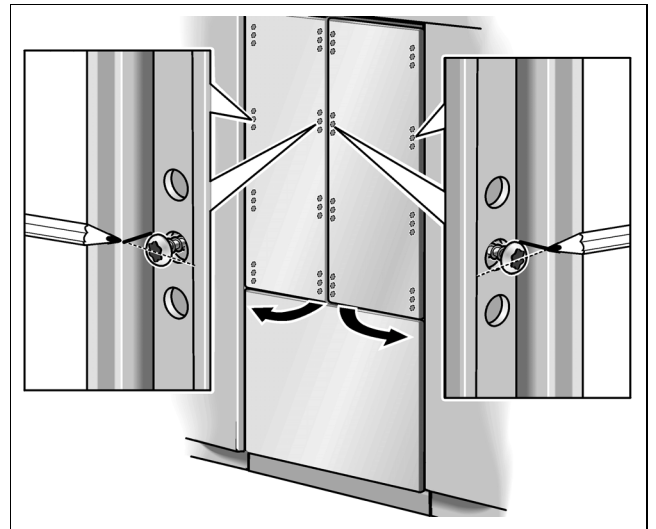
## 20. Hanging and aligning the furniture door (refrigerator compartment)

The height of the cabinet frontage is set using the threaded rods.

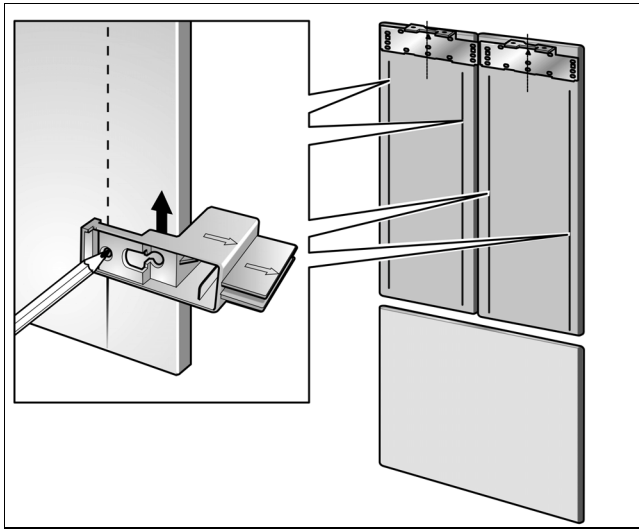
- Hang the furniture door on the threaded rods.



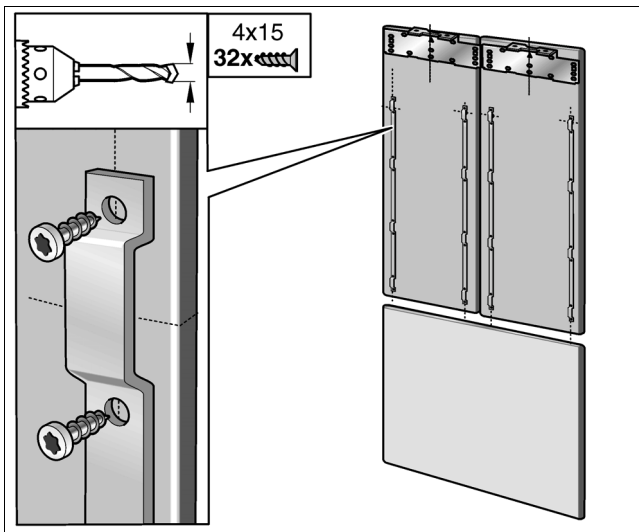
- Adjust the furniture door using the threaded rod (Torx-screwdriver).



- Transfer the middle drilled holes on the outside edge of the appliance door to the furniture door and mark them.
- Remove furniture door.

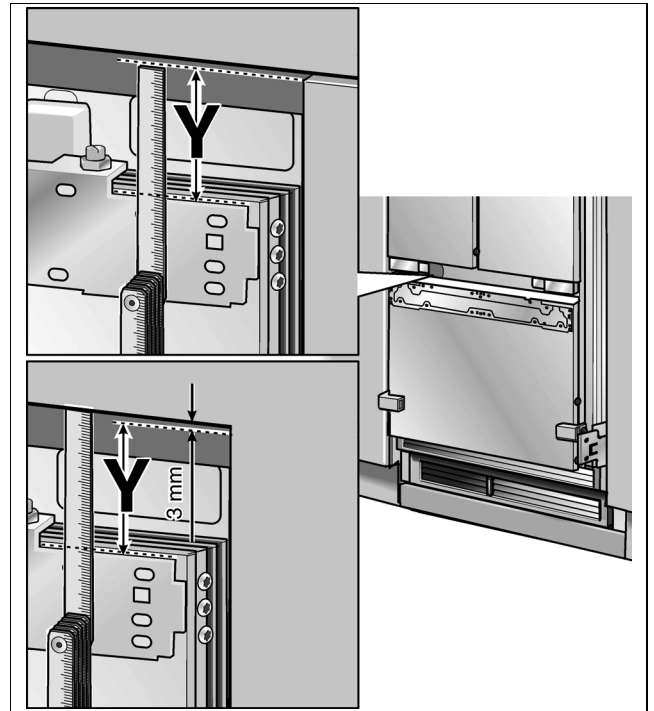
**C**

- On both lengths of the furniture door, draw a parallel line with the help of the positioning aid.
- Lengthen the drill hole markings to the parallel lines using a try square.
- Apply the fixing ribs and mark out the holes.
- Pre-drill the holes.

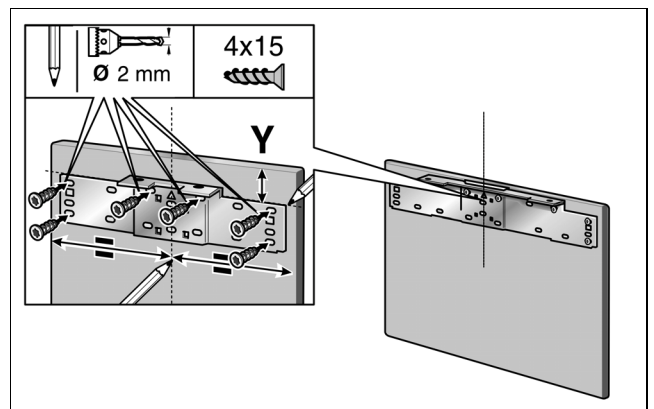


- Screw on the fixing ribs.
- Hang the furniture door on the threaded rods.

## 21. Fastening the adjusting rib to the furniture door (freezer compartment)



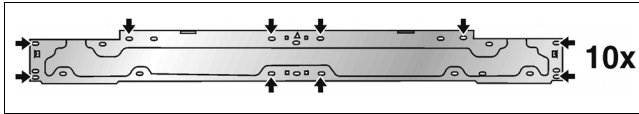
- Measure distance **Y** between the adjusting ribs and the bottom edge of the refrigerator compartment door.



- Mark this value **Y** on the rear side of the furniture door.
- Measure the middle of the door and mark it.
- Loosen the two nuts and remove the adjusting rib.
- Rest the adjusting rib on the furniture door and align to the markings. Mark the drill holes.
- Pre-drill the holes.
- Tightly screw the adjusting rib.

**Note:**

- Attach the adjusting rib with at least 10 screws on the furniture door. One screw should be screwed in under each threaded rod.

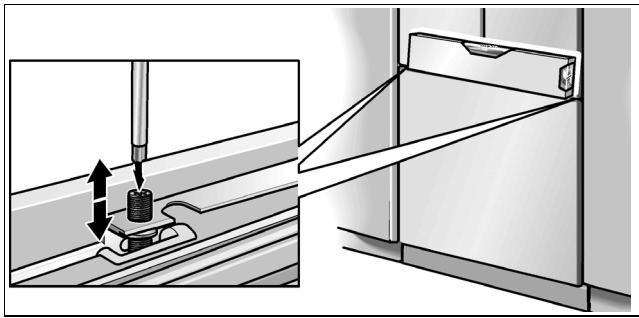


- The adjusting rib has a various holes for different furniture door design variations. Always carry out screwing jobs on the most stable part of the furniture door.

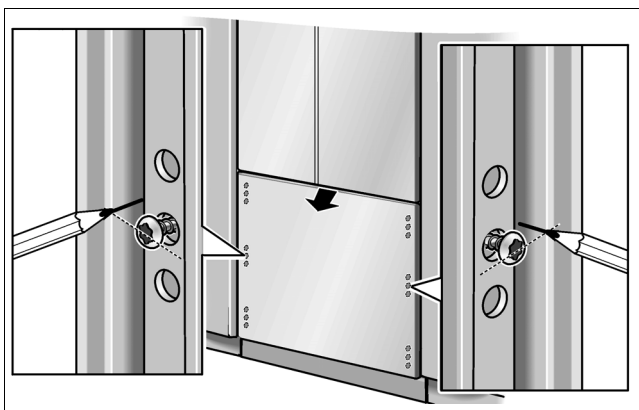
## 22. Hanging and aligning the furniture door (freezer compartment)

The height of the cabinet frontage is set using the threaded rods.

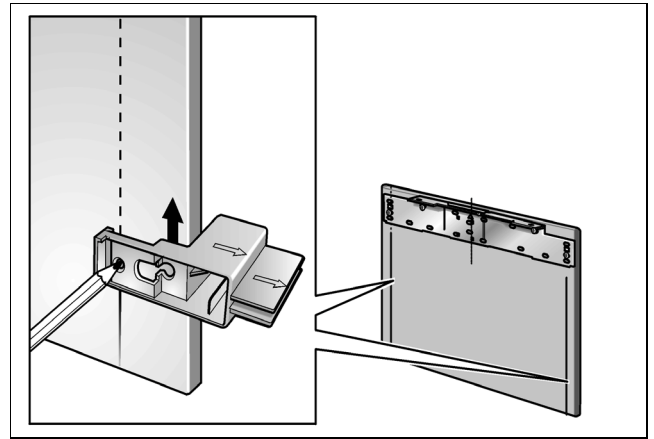
- Hang the furniture door on the threaded rods.



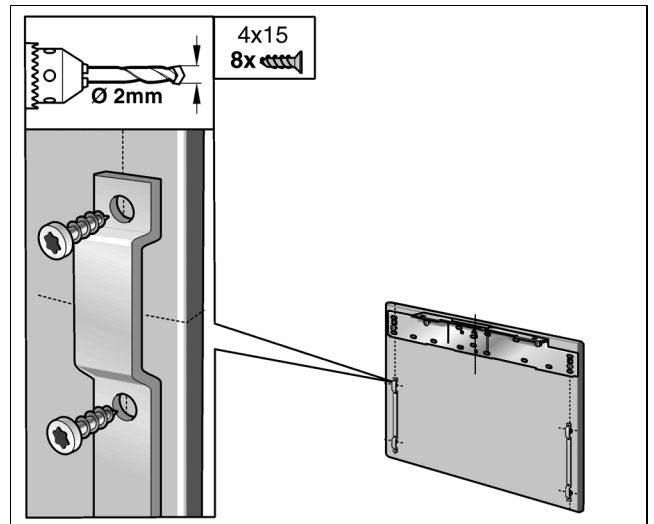
- Adjust the furniture door using the threaded rod (Torx-screwdriver).



- Transfer the middle drilled holes on the outside edge of the appliance door to the furniture door and mark them.
- Remove furniture door.



- On both lengths of the furniture door, draw a parallel line with the help of the positioning aid.
- Lengthen the drill hole markings to the parallel lines using a try square.
- Apply the fixing ribs and mark out the holes.
- Pre-drill the holes.

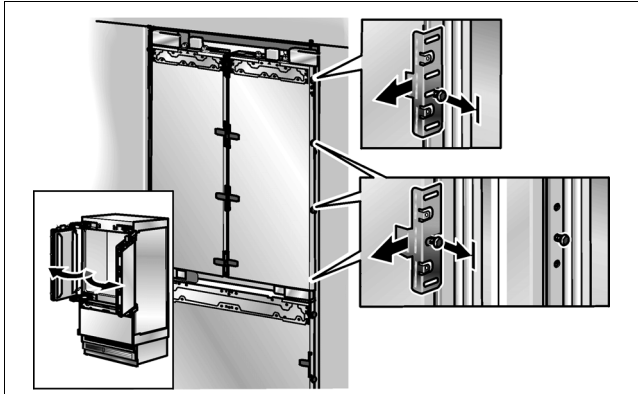


- Screw on the fixing ribs.

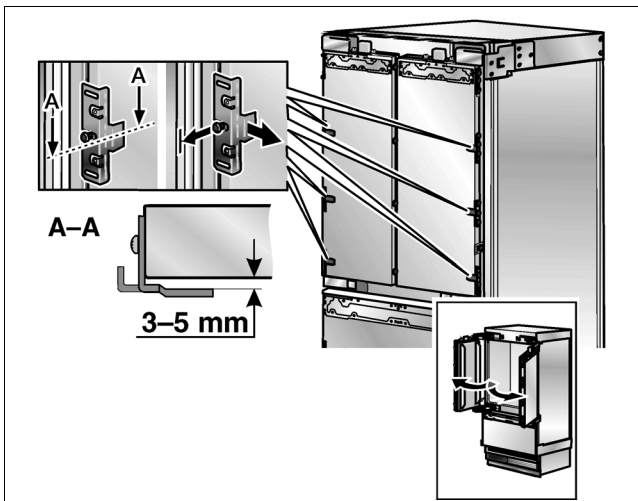
## 23. Mounting the furniture doors (refrigerator compartment)

### Important note:

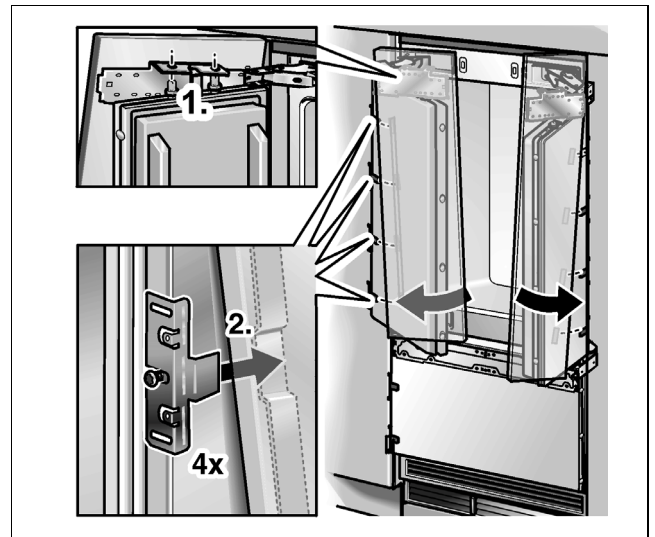
Now attach the door handles which should have been screwed from behind!



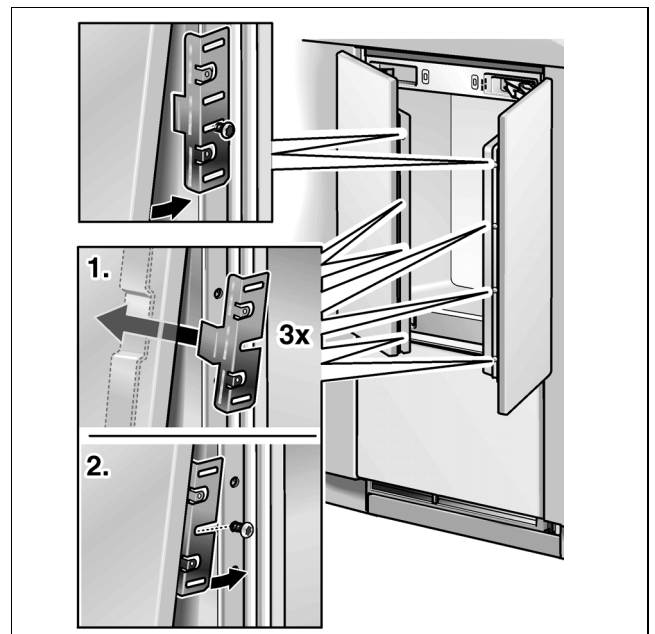
- Remove fixing bracket on the handle side of the appliance door. To do this, loosen the fastening screws only.



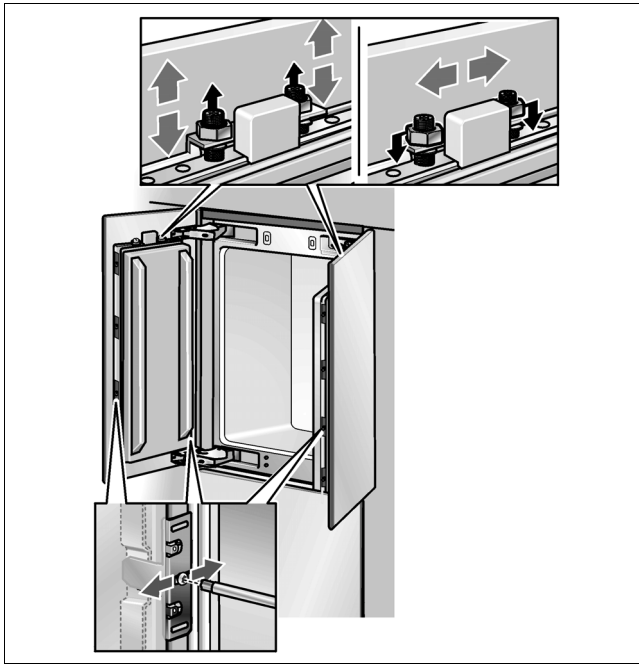
- Loosen fixing bracket on the hinge side and pull slightly off the appliance door. To do this, loosen the fastening screws only.
- Open the appliance door.
- Hang the furniture door on the threaded rods.



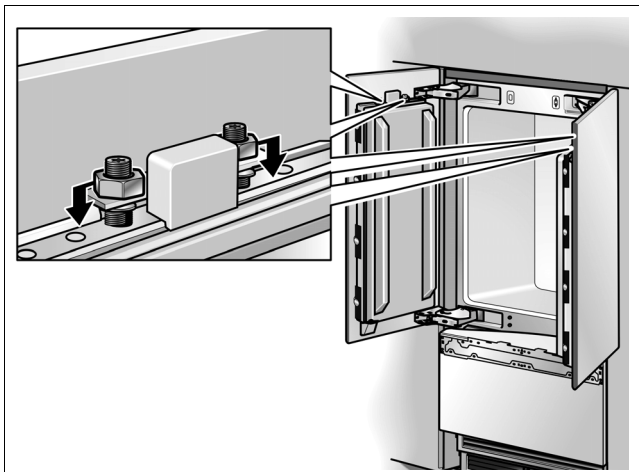
- Raise furniture door slightly and push the fixing rails down over the fixing brackets on the appliance door.



- Insert the fixing brackets that you removed into the fixing ribs and push over the fastening screws.
- Screw the nuts onto the threaded bolts of the adjusting rail. Do not screw tightly!
- Screw the nuts on to the threaded bolts. Do not screw tightly!



- Adjust the furniture door using the threaded rod (Torx-screwdriver). Keep checking the size of the gap.
- Close the door and check that the cabinet frontage is aligned with the adjacent fronts. Correct if necessary.
- Tighten the screws on the fixing brackets to fix the depth adjustment.
- Close the door and check the lateral adjustment. Correct the adjustment by lightly tapping on the edge of the open door by hand.

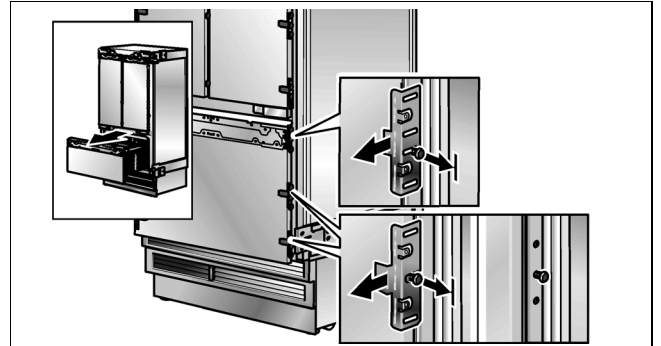


- Tighten the nuts on the adjusting rib. This way, the lateral adjustment of the door is fixed.

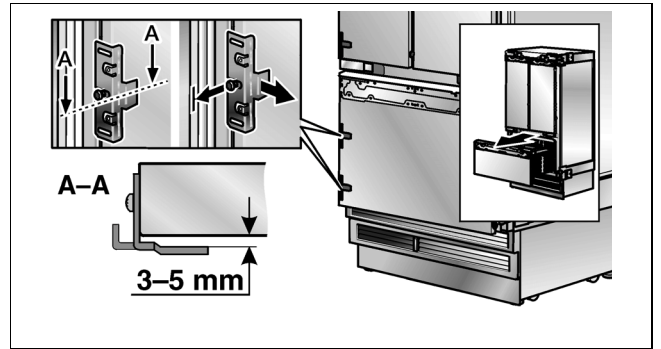
## 24. Mounting the furniture door (freezer compartment)

### Important note:

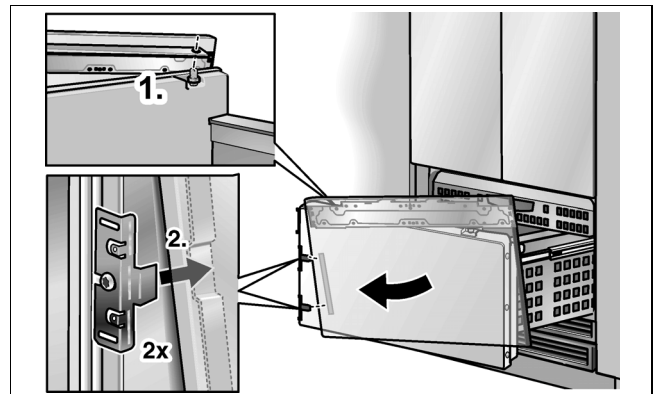
Now attach the door handles which should have been screwed from behind!



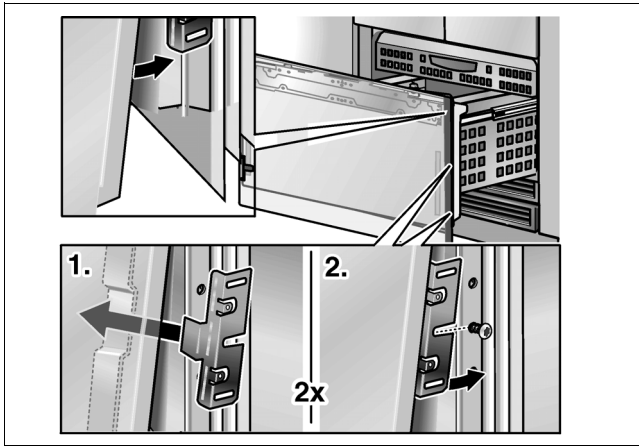
- Remove fixing bracket from one side of the drawer. To do this, loosen the fastening screws only.



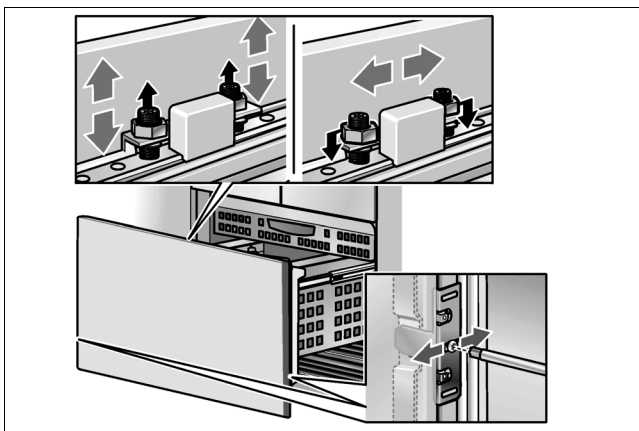
- Loosen fixing bracket on the other side of the drawer and pull slightly away from the appliance door. To do this, loosen the fastening screws only.
- Open drawer.
- Hang the furniture door on the threaded rods.



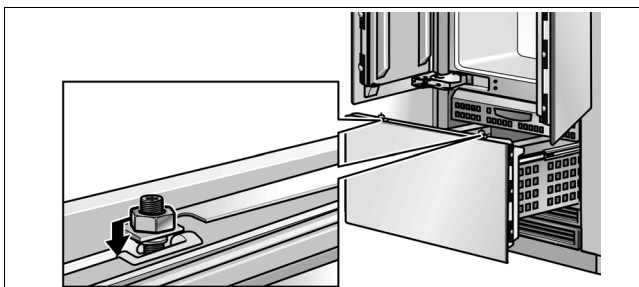
- Raise furniture door slightly and push the fixing rail down over the fixing brackets on the drawer.



- Insert the fixing brackets that you removed into the fixing ribs and push over the fastening screws.
- Screw the nuts onto the threaded bolts of the adjusting rail. Do not screw tightly!

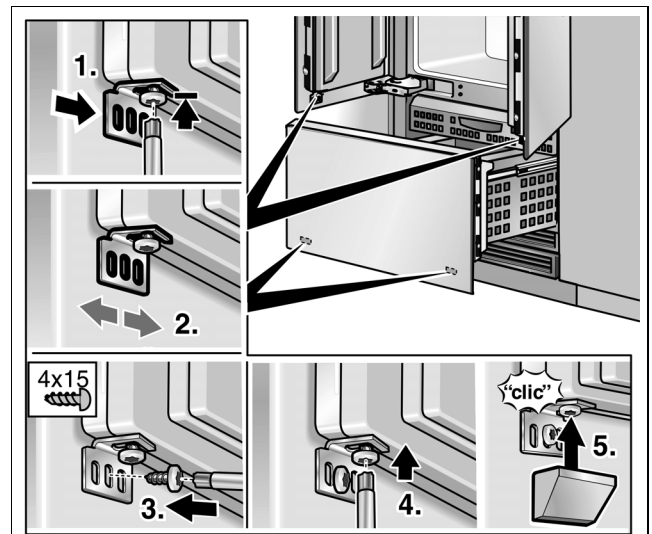


- Adjust the furniture door using the threaded rod (Torx-screwdriver). Keep checking the size of the gap.
- Close the door and check that the cabinet frontage is aligned with the adjacent fronts. Correct if necessary.
- Tighten the screws on the fixing brackets to fix the depth adjustment.
- Close the door and check the lateral adjustment. Correct the adjustment by lightly tapping on the edge of the open door by hand.

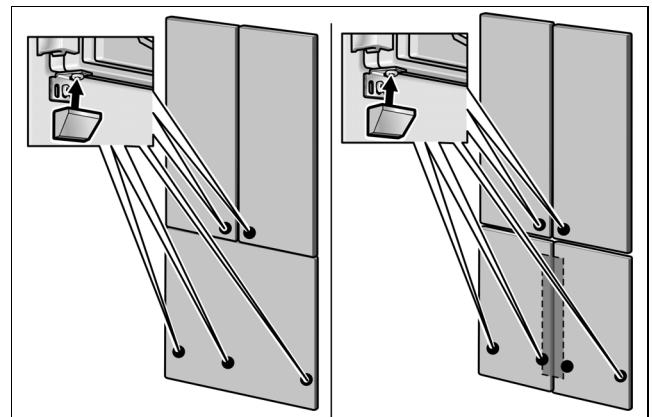


- Tighten the nuts on the adjusting rib. This way, the lateral adjustment of the door is fixed.

## 25. Screwing on the lower fixing brackets



- Screw on the lower fixing brackets from the parts set. Pre-drill holes into the furniture door! The lateral adjustment of the door is fixed through the lower fixing brackets.
- Loosen screw.
- Check the lateral position of the door.
- Screw in the wood screws.
- Tighten the screws.



- Put covers over the fixing angles.

### Note:

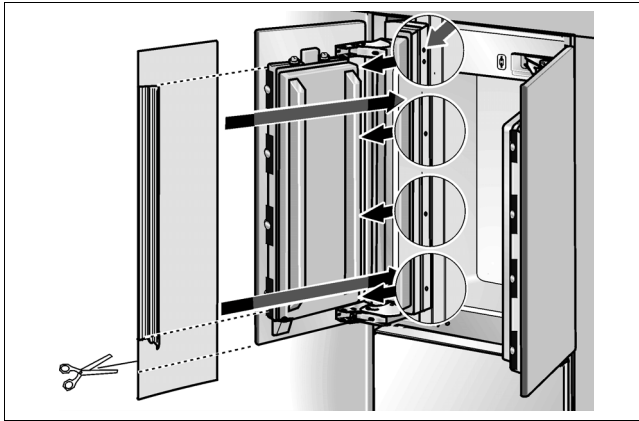
The number of lower fixing brackets depends on the width and design of the furniture door.

## 26. Fastening the finger protector

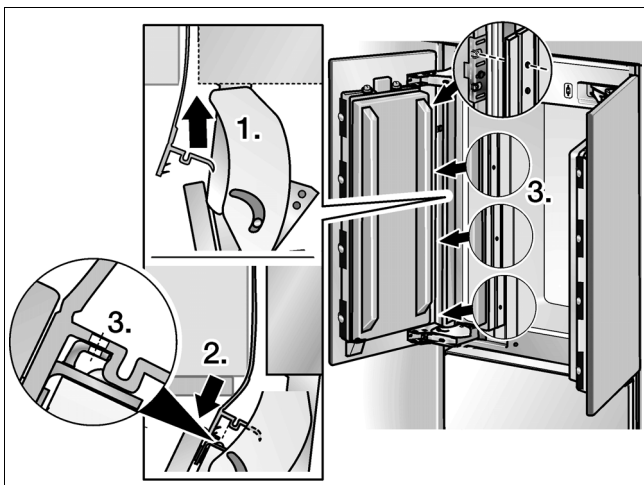
On both doors of the refrigerator compartment:

- Hold the finger guard on the door so that the fixing holes in the cover strip are in alignment with the bores in the fixing brackets.

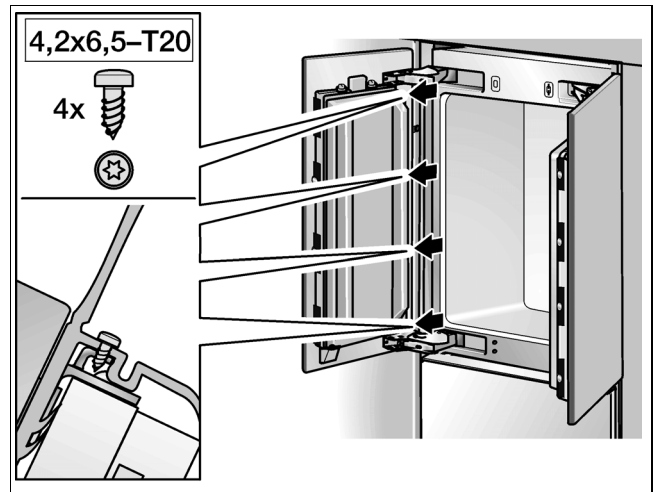
Now mark the lower edge of the finger guard and shorten accordingly.



- Insert finger guard into the gap between appliance and cavity wall (1.).

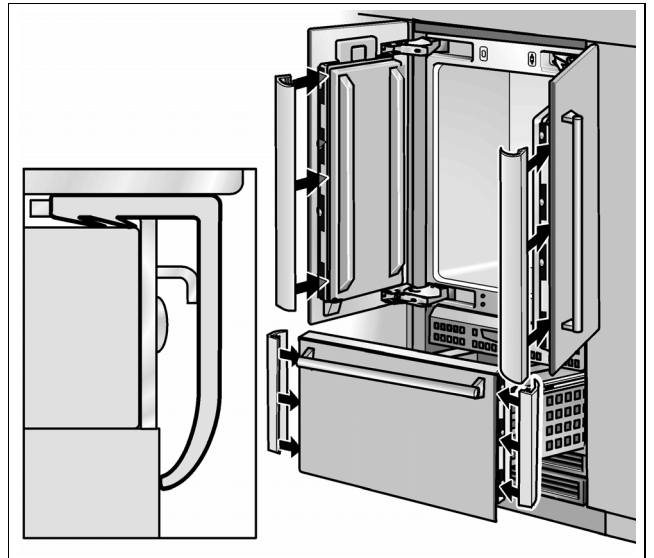


- Press cover strip of the finger guard from top to bottom into the gap between the furniture front and appliance door (2.). Ensure that the fixing holes in the cover strip are in alignment with the bores in the fixing brackets (3.)!

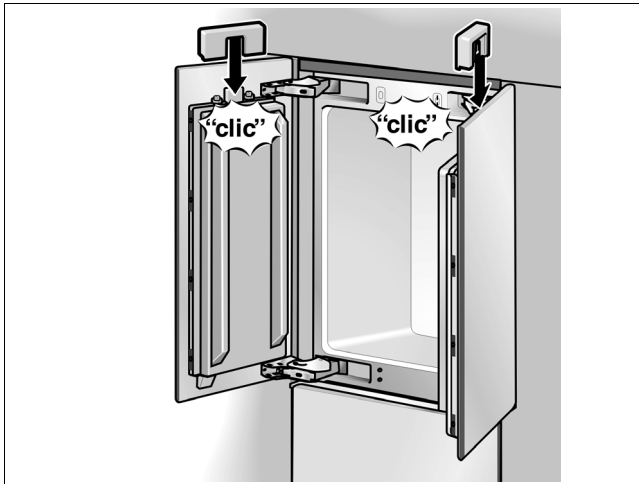


- Attach finger guard to the fixing brackets using the screws.
- Check function and ease of movement of the finger guard by opening and closing the door several times.

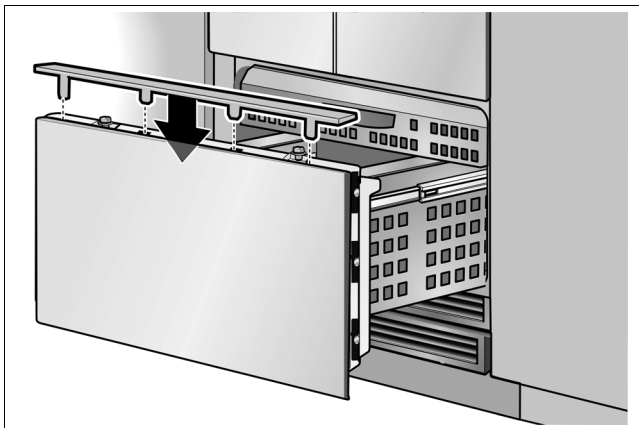
## 27. Attaching the covers



- Attach the cover ribs on both long sides of the doors and the freezer compartment drawer.

**D**

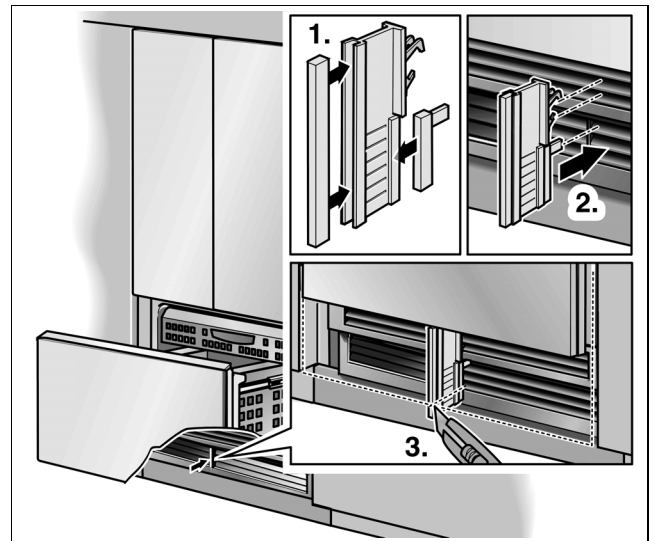
- Attach the light switch cover.



- Attach the covering bars using the adjusting ribs of the freezer compartment drawer.

## 28. Fitting the air separator

The air separator is used to separate the incoming and outgoing supplies of air for the appliance, to avoid reduced operating capacity.

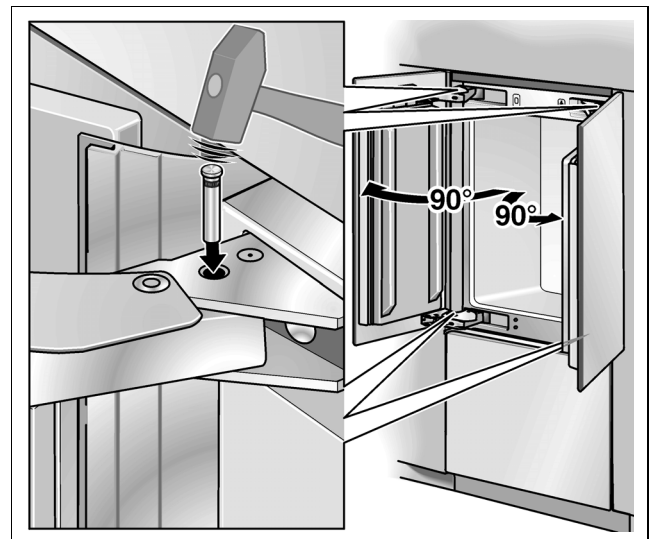


## 29. Setting the door opening angle (refrigerator compartment door)

Depending on where the appliance is installed, it may be necessary to limit the door opening angle. A door opening angle of 115° is set at the factory.

To set the door opening angle to 90°:

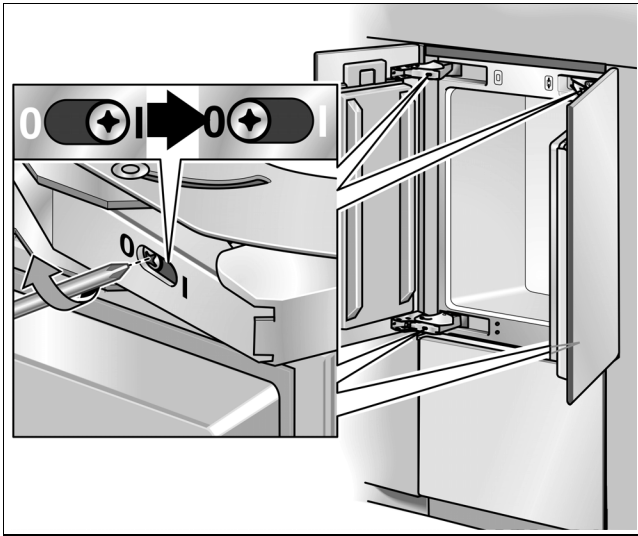
- Open the door to 90°.



- Insert stopper rod in the drill holes which are now vertically on top of each other and drive home with a hammer.



### 30. Tensioning the hinge springs (refrigerator compartment door)



- Turn the setting screw with a cross head screwdriver.

I = spring tension activated

0 = spring tension not activated

Installation of the appliance is now complete.





**Gaggenau Hausgeräte GmbH**

Carl-Wery-Straße 34

D-81739 München

[www.gaggenau.com](http://www.gaggenau.com)