

Gaggenau

en Planning aid

Vario

Cooling 400 series

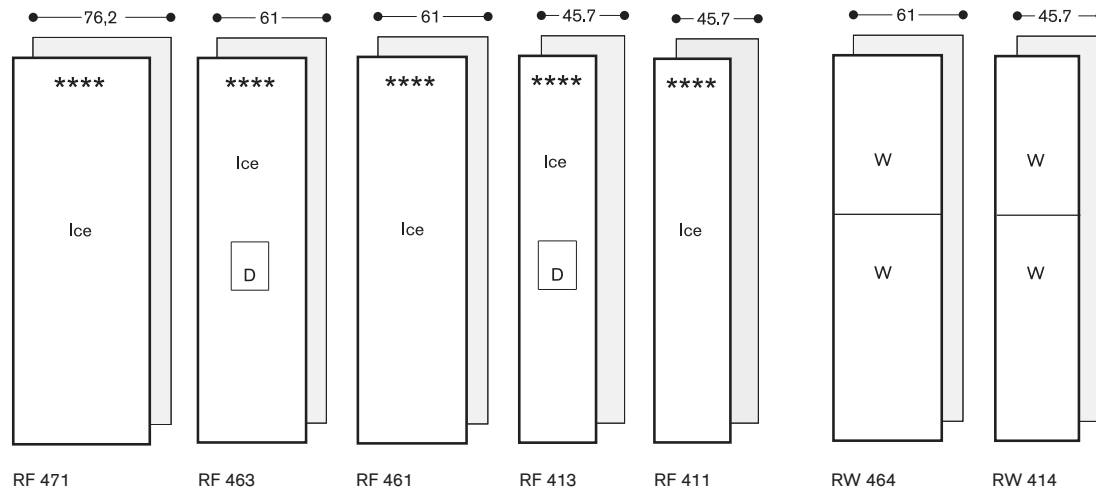
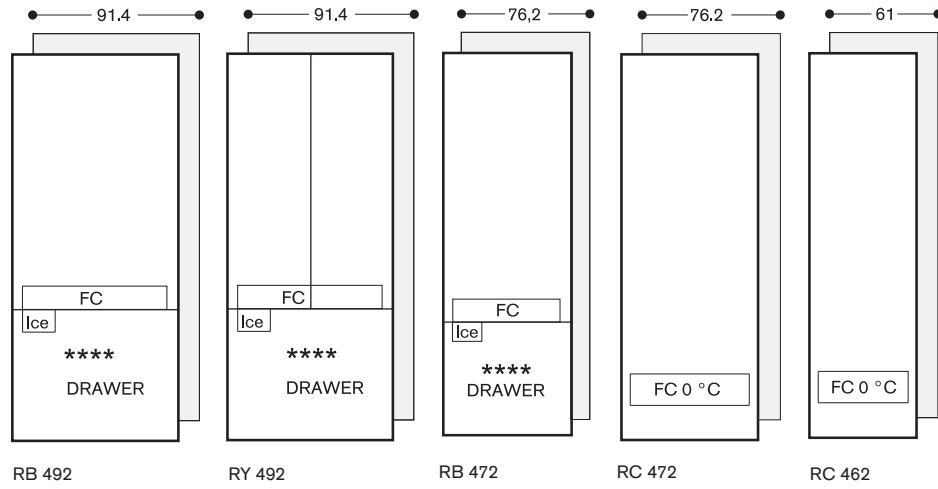
Table of contents

Overview Vario cooling 400 series	4
Additional planning note	
Vario cooling 400 series	14
Door opening angle	14
Appliance dimensions	15
Installation niche – Dimensions	17
Dimensions of the special accessories	
door fronts/door front frames	18
Planning principle for an individual appliance	19
Planning principle for a side-by-side solution	20
Planning examples	21
Base area/Crown of the niche	24
Installation conditions	25
Notes to the accessories	27
Accessories for Vario cooling 400 series	32
Technical specifications	36

Overview Vario cooling 400 series

Vario cooling 400 series

Niche 213 cm



FC: Fresh cooling

FC 0 °C: Fresh cooling to 0 °C

W: Wine

D: Ice and water dispenser

Ice: Ice maker



Vario fridge-freezer combination 400 series
RY 492

- Stainless steel interior
- Generous lighting concept
- Solid aluminium door racks
- Net volume 526 litres
- Integrated ice maker with fixed inlet water connection
- One motorised glass shelf, adjustable when fully loaded
- One asymmetrically split glass shelf
- Fully extendable freezer drawer with practical divider
- Energy efficiency class A+

Handling

Electronic temperature control with digital display.

Technical Features

Dynamic cold air distribution.
 Automatic defrosting with defrost water evaporation.
 Antimicrobial activated charcoal air filter.
 Energy-saving vacation mode.
 Open-door and malfunction alarm.

Cooling

Net volume 355 litres.
 No-frost technology with fast cooling.
 Temperature adjustable from +2 °C to +8 °C.
 2 safety glass shelves, 1 of which is motorised.
 1 asymmetrically split safety glass shelf, manually adjustable.
 2 fully extendable drawers with transparent front.
 Bright interior lighting with light pillars.
 4 height adjustable door racks, 2 of which are extra deep.
 2 door racks with transparent front flap.

Fresh cooling

Net volume 25 litres.
 No-frost technology.
 1 full width fully extendable fresh cooling drawer with transparent front, manually controllable.

Freezing

Net volume 146 litres.
 No-frost technology with fast freezing.
 Temperature adjustable from -14 °C to -25 °C.
 4-star freezer compartment.
 Freezing capacity 22 kg/24 h.
 Storage time after a malfunction 20 h.
 2 fully extendable drawers.
 Interior lighting with 2 spots.

Ice maker

Integrated in the freezer compartment, with fixed inlet water connection.
 Can be switched off.
 Ice cube production approx. 1.7 kg/24 h.
 Removable ice storage container with approx. 2 kg capacity.

Consumption data

Energy consumption 423 kWh/year.
 Noise level 42 dB (re 1 pW).

Special accessories

- RA 030 100
- Storage container with transparent lid

Planning notes

Flat hinge.
 Door opening angle of 115°, fixable at 90°.
 Max. door panel weight:
 Each door 57 kg.
 Drawer 10 kg.
 Shut-off valve for water connection must be planned next to the appliance and always be accessible.
 If the water pressure exceeds 0.8 MPa (8 bar), connect pressure relief valve between water tap and hose set.

Connection

Total connected load 0.574 kW.
 Connecting cable 3.0 m, pluggable.
 Water inlet.
 Supply hose 2.0 m with 3/4" connection.
 Water pressure 2 to 8 bar.

RY 492 301

with fresh cooling
 fully integrated
 Niche width 91.4 cm,
 Niche height 213.4 cm
 With two doors

Included in the price

- 1 egg holder with lid
- 1 ice cube scoop

Necessary installation accessories

RA 460 000

Accessory for side-by-side installation.
 Required if appliances are installed handle to handle. Not required if appliances are installed more than 160 mm apart from each other.

RA 460 011

Additional side heating element.
 Required if appliances are installed handle to hinge or hinge to hinge. Not required if appliances are installed more than 160 mm apart from each other.

Installation accessories

RA 421 912

Stainless steel door panels with handles
 For RY 491/492, panel thickness 19 mm.

RA 421 932

Aluminium door panels with handles
 For RY 491/492, panel thickness 19 mm.

RA 425 110

Handle bar, stainless steel, long
 With 3 mounts, length 1131 mm, drilling distance between each mount 554 mm.

RA 425 130

Handle bar, aluminium, long
 With 3 mounts, length 1131 mm, drilling distance between each mount 554 mm.

RA 425 910

Handle bar, stainless steel, short
 For RB/RY 491/492, with 2 mounts, length 810 mm, drilling distance between the mounts 787 mm.

RA 425 930

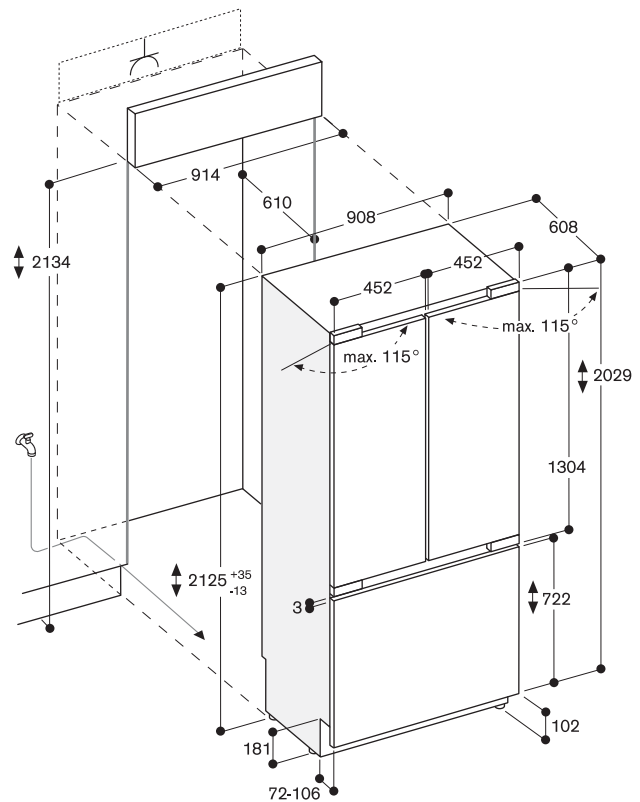
Handle bar, aluminium, short
 For RB/RY 491/492, with 2 mounts, length 810 mm, drilling distance between the mounts 787 mm.

RA 460 030

Connecting element for vertically split fronts (for fridge-freezer combination)

RA 461 911

Ventilation grille stainless steel
 For RB 491/492 and RY 491/492.



The maximum door panel dimensions are based on a clearance of 3 mm.



RB 492 301

with fresh cooling
fully integrated
Niche width 91.4 cm,
Niche height 213.4 cm
With one door

RB 472 301

with fresh cooling
fully integrated
Niche width 76.2 cm,
Niche height 213.4 cm
With one door

Included in the price

- 1 egg holder with lid
- 1 ice cube scoop

Necessary installation accessories

RA 460 000

Accessory for side-by-side installation.
Required if appliances are installed
handle to handle. Not required if
appliances are installed more than
160 mm apart from each other.

RA 460 011

Additional side heating element.
Required if appliances are installed
handle to hinge or hinge to hinge. Not
required if appliances are installed
more than 160 mm apart from each
other.

Installation accessories

RA 421 712

Stainless steel door panels with
handles
For RB 472, panel thickness 19 mm.

RA 421 732

Aluminium door panels with handles
For RB 472, panel thickness 19 mm.

RA 421 910

Stainless steel door panels with
handles
For RB 491/492, panel thickness
19 mm.

RA 421 930

Aluminium door panels with handles
For RB 491/492, panel thickness
19 mm.

RA 425 110

Handle bar, stainless steel, long
With 3 mounts, length 1131 mm,
drilling distance between each mount
554 mm.

RA 425 130

Handle bar, aluminium, long
With 3 mounts, length 1131 mm,
drilling distance between each mount
554 mm.

RA 425 710

Handle bar, stainless steel, short
With 2 mounts, length 658 mm,
drilling distance between the mounts
637 mm.

Vario fridge-freezer combination 400 series RB 492/RB 472

- Stainless steel interior
- Generous lighting concept
- Solid aluminium door racks
- Net volume 532/438 litres
- Integrated ice maker with fixed inlet water connection
- One motorised glass shelf, adjustable when fully loaded
- One asymmetrically split glass shelf
- Fully extendable freezer drawer with practical divider
- Energy efficiency class A+

Handling

Electronic temperature control with digital display.

Technical Features

Dynamic cold air distribution.
Automatic defrosting with defrost water evaporation.
Antimicrobial activated charcoal air filter.
Energy-saving vacation mode.
Open-door and malfunction alarm.

Cooling

Net volume 361/300 litres.
No-frost technology with fast cooling.
Temperature adjustable from +2 °C to +8 °C.
2/3 safety glass shelves, 1 of which is motorised.
1/0 asymmetrically split safety glass shelf, manually adjustable.
2/1 fully extendable drawers with transparent front.
Bright interior lighting with light pillars.
2 height-adjustable door racks, 1 of which is extra deep.
1 door rack with transparent front flap.

Fresh cooling

Net volume 25/19 litres.
No-frost technology.
1 full width fully extendable fresh cooling drawer with transparent front, manually controllable.

Freezing

Net volume 146/119 litres.
No-frost technology with fast freezing.
Temperature adjustable from -14 °C to -25 °C.
4-star freezer compartment.
Freezing capacity 22/14 kg/24 h.
Storage time after a malfunction 20/18 h.
2 fully extendable drawers.
Interior lighting with 2 spots/1 spot.

Ice maker

Integrated in the freezer compartment, with fixed inlet water connection.
Can be switched off.
Ice cube production approx. 1.7 kg/24 h.
Removable ice storage container with approx. 3 kg capacity.

Consumption data

Energy consumption 426/292 kwh/year.
Noise level 42/43 dB (re 1 pW).

RA 425 730

Handle bar, aluminium, short
With 2 mounts, length 658 mm, drilling distance between the mounts 637 mm.

RA 425 910

Handle bar, stainless steel, short
For RB/RY 491/492, with 2 mounts, length 810 mm, drilling distance between the mounts 787 mm.

RA 425 930

Handle bar, aluminium, short
For RB/RY 491/492, with 2 mounts, length 810 mm, drilling distance between the mounts 787 mm.

RA 460 030

Connecting element for vertically split fronts (for fridge-freezer combination)

RA 461 715

Ventilation grille stainless steel
For RB 472.

RA 461 911

Ventilation grille stainless steel
For RB 491/492 and RY 491/492.

Special accessories

RA 030 100

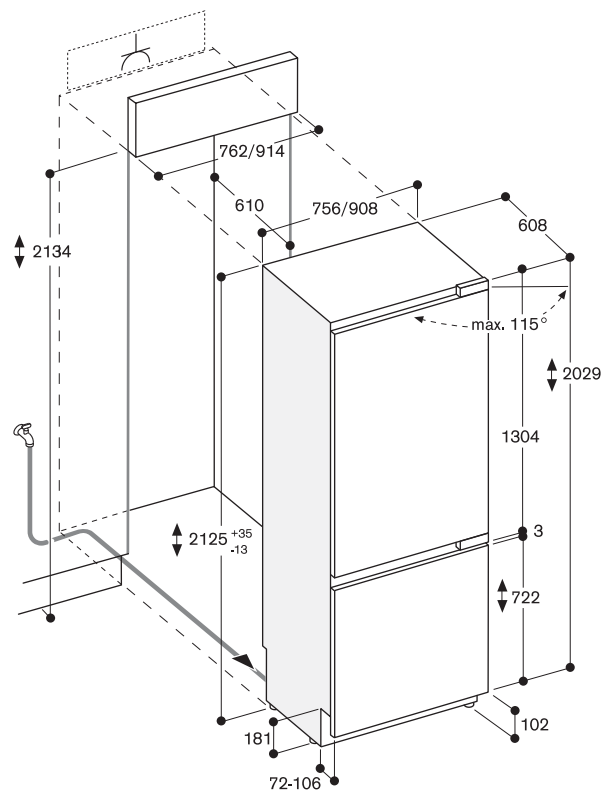
Storage container with transparent lid

Planning notes

Flat hinge.
Door hinge right, reversible.
Door opening angle of 115°, fixable at 90°.
Max. door panel weight:
Door 35 kg.
Drawer 10 kg.
Shut-off valve for water connection must be planned next to the appliance and always be accessible.
If the water pressure exceeds 0.8 MPa (8 bar), connect pressure relief valve between water tap and hose set.

Connection

Total connected load 0,574/0,177 kW.
Connecting cable 3.0 m, pluggable.
Water inlet.
Supply hose 2.0 m with 3/4 " connection.
Water pressure 2 to 8 bar.



The maximum door panel dimensions are based on a clearance of 3 mm.



RC 472 301▼

RC 472 301▼

with fresh cooling close to 0 °C fully integrated
Niche width 76.2 cm,
Niche height 213.4 cm

RC 462 301▼

with fresh cooling close to 0 °C fully integrated
Niche width 61 cm,
Niche height 213.4 cm

Included in the price

1 egg holder with lid

Necessary installation accessories

RA 460 000

Accessory for side-by-side installation. Required if appliances are installed handle to handle. Not required if appliances are installed more than 160 mm apart from each other.

RA 460 011

Additional side heating element. Required if appliances are installed handle to hinge or hinge to hinge. Not required if appliances are installed more than 160 mm apart from each other.

Installation accessories

RA 421 610

Stainless steel door panel with handle
For 61 cm wide appliances, panel thickness 19 mm.

RA 421 630

Aluminium door panel with handle
For 61 cm wide appliances, panel thickness 19 mm.

RA 421 710

Stainless steel door panel with handle
For 76.2 cm wide appliances, panel thickness 19 mm.

RA 421 730

Aluminium door panel with handle
For 76.2 cm wide appliances, panel thickness 19 mm.

RA 425 110

Handle bar, stainless steel, long
With 3 mounts, length 1131 mm, drilling distance between each mount 554 mm.

RA 425 130

Handle bar, aluminium, long
With 3 mounts, length 1131 mm, drilling distance between each mount 554 mm.

RA 460 020

Connecting element for vertically split appliance fronts (for a flush front)

RA 460 040

Finger protection for extra long furniture fronts

RA 461 616

Ventilation grille stainless steel
For 61 cm wide appliances.

Vario refrigerator 400 series

RC 472/RC 462

- Stainless steel interior
- Generous lighting concept
- Solid aluminium door racks
- Net volume 480/369 litres
- Fresh cooling drawer, temperature control from 0 °C to 3 °C
- One motorised glass shelf, adjustable when fully loaded
- Energy efficiency class A+/A++

Handling

Electronic temperature control with digital display.

Technical Features

Dynamic cold air distribution with Multi-Air-Flow.
Automatic defrosting with defrost water evaporation.
Antimicrobial activated charcoal air filter.
Energy-saving vacation mode.
Open-door and malfunction alarm.

Cooling

Net volume 413/318 litres.
No-frost technology with fast cooling.
Temperature adjustable from +2 °C to +8 °C.
4 safety glass shelves, 1 of which is motorised, 2 manually adjustable.
2 fully extendable drawers with transparent front, 1 of which deep and 1 shallow.
Bright interior lighting with light pillars.
3 height adjustable door racks, 1 of which is extra deep.
1 door rack with transparent front flap.

Fresh cooling close to 0 °C

Net volume 67/51 litres.
Separate automatic temperature control, with settings for fish, meat or vegetables.
1 large, fully extendable drawer with transparent front and integrated lighting.

Consumption data

Energy consumption
182/133 kWh/year.
Noise level 40/40 dB (re 1 pW).

Planning notes

Flat hinge.
Door hinge right, reversible.
Door opening angle of 115°, fixable at 90°.
Max. door panel weight 21/35 kg.

Connection

Total connected load 0,311/0,266 kW.
Connecting cable 3.0 m, pluggable.

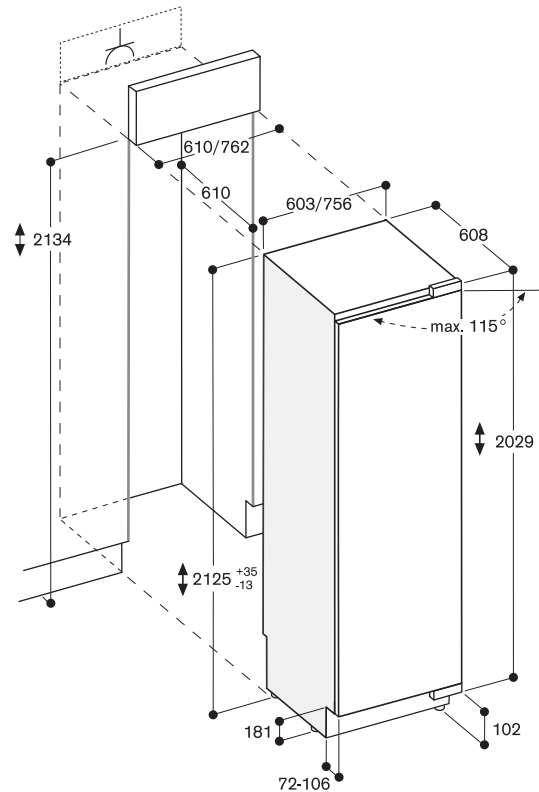
RA 461 714

Ventilation grille stainless steel
For 76.2 cm wide appliances.

Special accessories

RA 030 100

Storage container with transparent lid



The maximum door panel dimensions are based on a clearance of 3 mm.



Vario freezer 400 series
RF 463/RF 413

- Stainless steel interior
- Generous lighting concept
- Integrated ice maker with fixed inlet water connection
- Illuminated dispenser for ice cubes, crushed ice and chilled water
- Solid aluminium door racks
- Net volume 299/198 litres
- Energy efficiency class A+

Handling

Electronic temperature control with digital display.

Technical Features

Dynamic cold air distribution.
 Automatic defrosting with defrost water evaporation.
 Energy-saving vacation mode.
 Open-door and malfunction alarm.

Freezing

No-frost technology with fast freezing.
 Temperature adjustable from -14°C to -25°C .
 4-star freezer compartment.
 Freezing capacity 14/9 kg/24 h.
 Storage time after a malfunction 14/10 h.
 4 solid metal shelves, 2 of which are manually adjustable.
 2 fully extendable drawers with transparent front, 1 of which large, 1 regular.
 Bright interior lighting with light pillars.
 1 extra deep door rack.
 1 door rack with transparent front flap.

Ice and water dispenser

Illuminated.
 Integrated, with fixed inlet water connection.
 Can be switched off.
 Ice cube production approx. 1.9 kg/24 h.
 Ice cubes and crushed ice.
 Removable ice storage container with approx. 2.5 kg capacity.
 Ice water supply approx. 1.5 litres.

Consumption data

Energy consumption 342/299 kWh/year.
 Noise level 41/41 dB (re 1 pW).

Planning notes

Flat hinge.
 Door opening angle of 115° , fixable at 90° .
 Max. door panel weight 57/63 kg.
 Shut-off valve for water connection must be planned next to the appliance and always be accessible.
 If the water pressure exceeds 0.8 MPa (8 bar), connect pressure relief valve between water tap and hose set.

Connection

Total connected load 0,592/0,55 kW.
 Connecting cable 3.0 m, pluggable.
 Water inlet.
 Supply hose 2.0 m with 3/4 " connection.
 Water pressure 2 to 8 bar.

RA 460 020

Connecting element for vertically split appliance fronts (for a flush front)

RA 460 040

Finger protection for extra long furniture fronts

RA 462 110

Ventilation grille stainless steel
 For RF 413, right-hinged.

RA 462 111

Ventilation grille stainless steel
 For RF 413, left-hinged.

RA 462 610

Ventilation grille stainless steel
 For RF 463, right-hinged.

RA 462 611

Ventilation grille stainless steel
 For RF 463, left-hinged.

RF 463 300

fully integrated
 Niche width 61 cm,
 Niche height 213.4 cm
 Right-hinged

RF 463 301

fully integrated
 Niche width 61 cm,
 Niche height 213.4 cm
 Left-hinged

RF 413 300

fully integrated
 Niche width 45.7 cm,
 Niche height 213.4 cm
 Right-hinged

RF 413 301

fully integrated
 Niche width 45.7 cm,
 Niche height 213.4 cm
 Left-hinged

Necessary installation accessories

RA 460 011

Additional side heating element.
 Required if appliances are installed handle to hinge or hinge to hinge. Not required if appliances are installed more than 160 mm apart from each other.

Installation accessories

RA 422 110

Stainless steel door panel with handle
 For 45.7 cm wide appliances, panel thickness 19 mm.

RA 422 130

Aluminium door panel with handle
 For 45.7 cm wide appliances, panel thickness 19 mm.

RA 422 610

Stainless steel door panel with handle
 For 61 cm wide appliances, panel thickness 19 mm.

RA 422 630

Aluminium door panel with handle
 For 61 cm wide appliances, panel thickness 19 mm.

RA 425 110

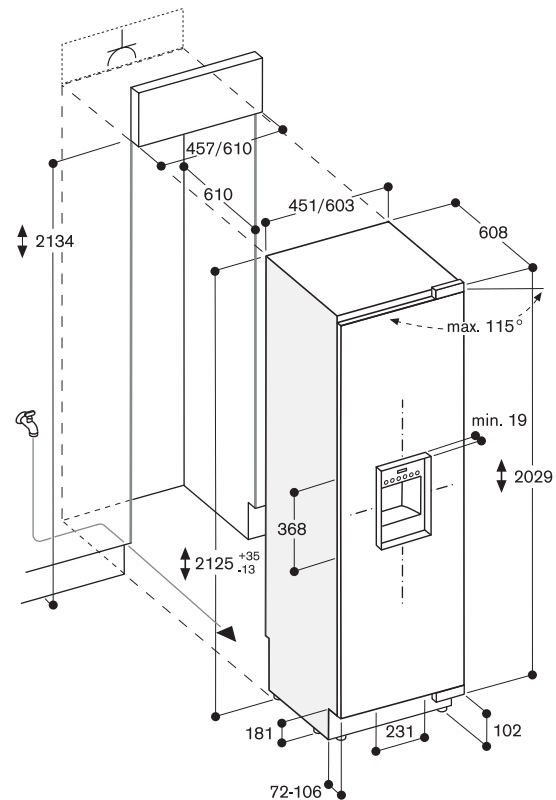
Handle bar, stainless steel, long
 With 3 mounts, length 1131 mm, drilling distance between each mount 554 mm.

RA 425 130

Handle bar, aluminium, long
 With 3 mounts, length 1131 mm, drilling distance between each mount 554 mm.

RA 460 000

Accessory for side-by-side installation.
 Required if appliances are installed handle to handle. Not required if appliances are installed more than 160 mm apart from each other.
 Included in delivery at RF and RW.



The maximum door panel dimensions are based on a clearance of 3 mm.



RF 471 301▼

fully integrated
Niche width 76.2 cm,
Niche height 213.4 cm

RF 461 301▼

fully integrated
Niche width 61 cm,
Niche height 213.4 cm

RF 411 301▼

fully integrated
Niche width 45.7 cm,
Niche height 213.4 cm

Included in the price

1 ice cube scoop

Necessary installation accessories

RA 460 011

Additional side heating element.
Required if appliances are installed
handle to hinge or hinge to hinge. Not
required if appliances are installed
more than 160 mm apart from each
other.

Installation accessories

RA 421 110

Stainless steel door panel with handle
For 45.7 cm wide appliances, panel
thickness 19 mm.

RA 421 130

Aluminium door panel with handle
For 45.7 cm wide appliances, panel
thickness 19 mm.

RA 421 610

Stainless steel door panel with handle
For 61 cm wide appliances, panel
thickness 19 mm.

RA 421 630

Aluminium door panel with handle
For 61 cm wide appliances, panel
thickness 19 mm.

RA 421 710

Stainless steel door panel with handle
For 76.2 cm wide appliances, panel
thickness 19 mm.

RA 421 730

Aluminium door panel with handle
For 76.2 cm wide appliances, panel
thickness 19 mm.

RA 425 110

Handle bar, stainless steel, long
With 3 mounts, length 1131 mm,
drilling distance between each mount
554 mm.

RA 425 130

Handle bar, aluminium, long
With 3 mounts, length 1131 mm,
drilling distance between each mount
554 mm.

RA 460 000

Accessory for side-by-side installation.
Required if appliances are installed
handle to handle. Not required if
appliances are installed more than
160 mm apart from each other.
Included in delivery at RF and RW.

Vario freezer 400 series

RF 471/RF 461/RF 411

- Stainless steel interior
- Generous lighting concept
- Integrated ice maker with fixed inlet water connection
- Solid aluminium door racks
- Net volume 421/321/222 litres
- Energy efficiency class A+

Handling

Electronic temperature control with digital display.

Technical Features

Dynamic cold air distribution.
Automatic defrosting with defrost water evaporation.
Energy-saving vacation mode.
Open-door and malfunction alarm.

Freezing

No-frost technology with fast freezing.
Temperature adjustable from -14°C to -25°C .
4-star freezer compartment.
Freezing capacity 19/17/12kg/24 h.
Storage time after a malfunction 19/19/14 h.
4 solid metal shelves, 3 of which are manually adjustable.
2 fully extendable drawers with transparent front, 1 of which large, 1 regular.
Bright interior lighting with light pillars.
4 height-adjustable door racks, 1 of which is extra deep.
1 door rack with transparent front flap.

Ice maker

Integrated, with fixed inlet water connection.
Can be switched off.
Ice cube production approx. 1.4 kg/24 h.
Removable ice storage container with approx. 4 kg capacity.

Consumption data

Energy consumption 427/357/319 kWh/year.
Noise level 42/41/41 dB (re 1 pW).

Planning notes

Flat hinge.
Door hinge left, reversible.
Door opening angle of 115° , fixable at 90° .
Max. door panel weight 18/40/56 kg.
Shut-off valve for water connection must be planned next to the appliance and always be accessible.
If the water pressure exceeds 0.8 MPa (8 bar), connect pressure relief valve between water tap and hose set.

Connection

Total connected load 0,501/0,421/0,366 kW.
Connecting cable 3.0m, pluggable.
Water inlet.
Supply hose 2.0m with 3/4 " connection.
Water pressure 2 to 8 bar.

RA 460 020

Connecting element for vertically split appliance fronts (for a flush front)

RA 460 040

Finger protection for extra long furniture fronts

RA 461 116

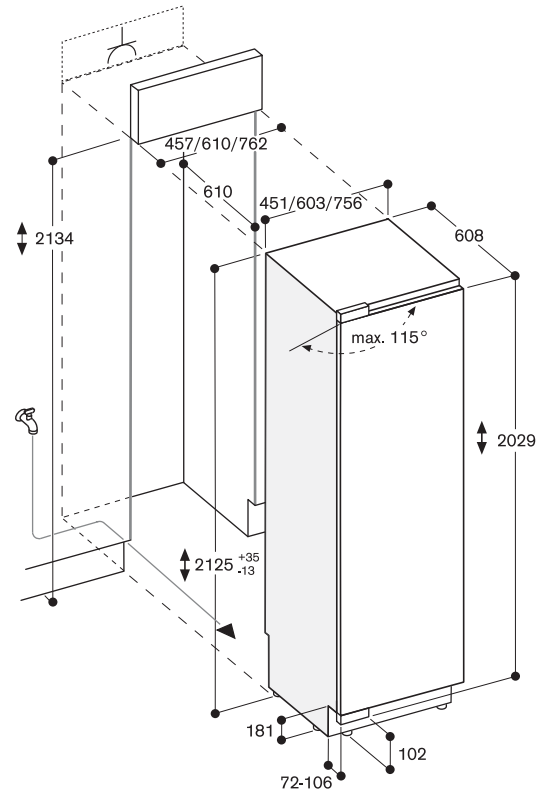
Ventilation grille stainless steel
For 45.7 cm wide appliances.

RA 461 616

Ventilation grille stainless steel
For 61 cm wide appliances.

RA 461 714

Ventilation grille stainless steel
For 76.2 cm wide appliances.



The maximum door panel dimensions are based on a clearance of 3 mm.



Vario wine climate cabinet 400 series
RW 464/RW 414

- Two independently controllable climate zones
- Constant temperatures with exact control from +5 °C to +20 °C
- Humidity control
- Stainless steel interior
- Fully extendable bottle trays in beech and aluminium
- Presentation light option
- Low-vibration operation
- Capacity 99/70 bottles
- Aluminium profiles of bottle trays and presenters for single bottle display can be labeled with Stabilo All 8046 pencil.

Handling

Electronic temperature control with digital display.

Technical Features

Dynamic cold air distribution.
 Automatic defrosting with defrost water evaporation.
 Antimicrobial activated charcoal air filter.
 UV-protection.
 Energy-saving vacation mode.
 Open-door and malfunction alarm.

Features

Net volume 390/271 litres.
 Capacity 99/70 bottles (based on 0.75/l standard bottles).
 10 fully extendable bottle trays, up to 4 of which for storage of magnum bottles.
 Space for max. 13 bottle trays or shelves in aluminium.
 Interior lighting with 2 ceiling spots in each climate zone, can be used as presentation light.

Consumption data

Energy efficiency class B/B.
 Energy consumption 237/228 kWh/year.
 Noise level 42/42 dB (re 1 pW).

Planning notes

Flat hinge.
 Door hinge right, reversible.
 Door opening angle of 115°, fixable at 90°.
 Max. door panel weight 67/72 kg.
 The mains socket needs to be planned outside the built-in niche.
 No transport/operation above 1.500 m sea level.

Connection

Total connected load 0,131/0,121 kW.
 Connecting cable 3.0m, pluggable.

RA 425 130

Handle bar, aluminium, long
 With 3 mounts, length 1131 mm,
 drilling distance between each mount 554 mm.

RA 460 000

Accessory for side-by-side installation.
 Required if appliances are installed handle to handle. Not required if appliances are installed more than 160 mm apart from each other.
 Included in delivery at RF and RW.

RA 460 040

Finger protection for extra long furniture fronts

RA 461 116

Ventilation grille stainless steel
 For 45.7 cm wide appliances.

RA 461 616

Ventilation grille stainless steel
 For 61 cm wide appliances.

Special accessories

RA 093 130

Presenters in aluminium for single bottle display (set of 3) for RW 414

RA 093 630

Presenters in aluminium for single bottle display (set of 3) for RW 464

RA 491 131

Fully extendable bottle tray in beech and aluminium
 For 45.7 cm wide appliances.

RA 491 631

Fully extendable bottle tray in beech and aluminium
 For 61 cm wide appliances.

RA 492 130

Fully extendable shelves in aluminium
 For 45.7 cm wide appliances.
 Suitable for decanters, open bottles and humidors.

RA 492 630

Fully extendable shelves in aluminium
 For 61 cm wide appliances.
 Suitable for decanters, open bottles and humidors.

RW 464 361

fully integrated, with glass door
 Niche width 61 cm,
 Niche height 213.4 cm

RW 414 361

fully integrated, with glass door
 Niche width 45.7 cm,
 Niche height 213.4 cm

Necessary installation accessories

RA 460 011

Additional side heating element.
 Required if appliances are installed handle to hinge or hinge to hinge. Not required if appliances are installed more than 160 mm apart from each other.

Installation accessories

RA 420 010

Door lock for RW414 and RW464

RA 421 111

Stainless steel door panel frame with handle
 For 45.7 cm wide appliances,
 left-hinged, panel thickness 19 mm.

RA 421 112

Stainless steel door panel frame with handle
 For 45.7 cm wide appliances,
 right-hinged, panel thickness 19 mm.

RA 421 131

Aluminium door panel frame with handle
 For 45.7 cm wide appliances,
 left-hinged, panel thickness 19 mm.

RA 421 132

Aluminium door panel frame with handle
 For 45.7 cm wide appliances,
 right-hinged, panel thickness 19 mm.

RA 421 611

Stainless steel door panel frame with handle
 For 61 cm wide appliances, left-hinged,
 panel thickness 19 mm.

RA 421 612

Stainless steel door panel frame with handle
 For 61 cm wide appliances,
 right-hinged, panel thickness 19 mm.

RA 421 631

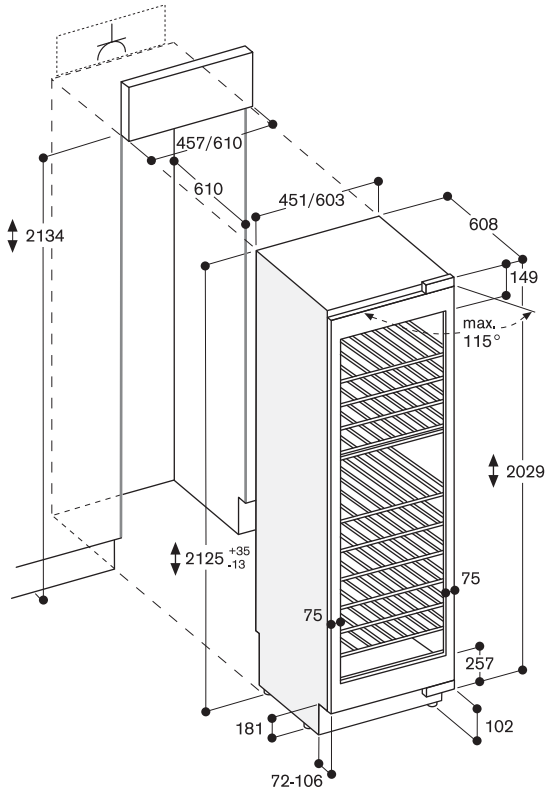
Aluminium door panel frame with handle
 For 61 cm wide appliances, left-hinged,
 panel thickness 19 mm.

RA 421 632

Aluminium door panel frame with handle
 For 61 cm wide appliances,
 right-hinged, panel thickness 19 mm.

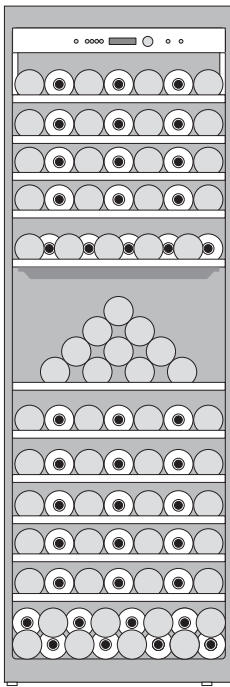
RA 425 110

Handle bar, stainless steel, long
 With 3 mounts, length 1131 mm,
 drilling distance between each mount 554 mm.

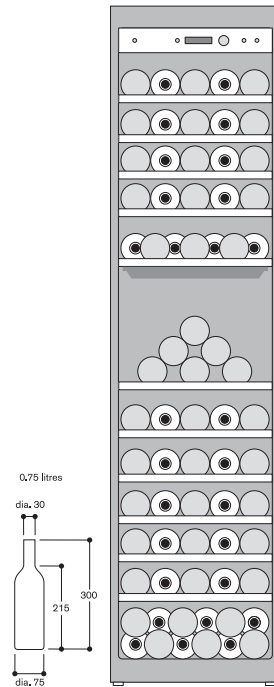


The maximum door panel dimensions are based on a clearance of 3 mm.

Bottle storage



Bottle storage





Vario wine climate cabinet 400 series
[RW 464/RW 414](#)

- Two independently controllable climate zones
- Constant temperatures with exact control from +5 °C to +20 °C
- Humidity control
- Stainless steel interior
- Fully extendable bottle trays in beech and aluminium
- Presentation light option
- Low-vibration operation
- Capacity 99/70 bottles
- Aluminium profiles of bottle trays and presenters for single bottle display can be labeled with Stabilo All 8046 pencil.

Handling

Electronic temperature control with digital display.

Technical Features

Dynamic cold air distribution.
 Automatic defrosting with defrost water evaporation.
 Antimicrobial activated charcoal air filter.
 UV-protection.
 Energy-saving vacation mode.
 Open-door and malfunction alarm.

Features

Net volume 390/271 litres.
 Capacity 99/70 bottles (based on 0.75/l standard bottles).
 10 fully extendable bottle trays, up to 4 of which for storage of magnum bottles.
 Space for max. 13 bottle trays or shelves in aluminium.
 Interior lighting with 2 ceiling spots in each climate zone, can be used as presentation light.

Consumption data

Energy efficiency class B/B.
 Energy consumption 237/228 kWh/year.
 Noise level 42/42 dB (re 1 pW).

Planning notes

Flat hinge.
 Door hinge right, reversible.
 Door opening angle of 115°, fixable at 90°.
 Max. door panel weight 74/77 kg.
 The mains socket needs to be planned outside the built-in niche.

Connection

Total connected load 0,131/0,121 kW.
 Connecting cable 3.0m, pluggable.

Special accessories

RA 491 131

Fully extendable bottle tray in beech and aluminium
 For 45.7 cm wide appliances.

RA 491 631

Fully extendable bottle tray in beech and aluminium
 For 61 cm wide appliances.

RA 492 130

Fully extendable shelves in aluminium
 For 45.7 cm wide appliances.
 Suitable for decanters, open bottles and humidors.

RA 492 630

Fully extendable shelves in aluminium
 For 61 cm wide appliances.
 Suitable for decanters, open bottles and humidors.

RW 464 301

fully integrated
 Niche width 61 cm,
 Niche height 213.4 cm

RW 414 301

fully integrated
 Niche width 45.7 cm,
 Niche height 213.4 cm

Necessary installation accessories

RA 460 011

Additional side heating element.
 Required if appliances are installed handle to hinge or hinge to hinge. Not required if appliances are installed more than 160 mm apart from each other.

Installation accessories

RA 420 010

Door lock for RW414 and RW464

RA 421 110

Stainless steel door panel with handle
 For 45.7 cm wide appliances, panel thickness 19 mm.

RA 421 130

Aluminium door panel with handle
 For 45.7 cm wide appliances, panel thickness 19 mm.

RA 421 610

Stainless steel door panel with handle
 For 61 cm wide appliances, panel thickness 19 mm.

RA 421 630

Aluminium door panel with handle
 For 61 cm wide appliances, panel thickness 19 mm.

RA 425 110

Handle bar, stainless steel, long
 With 3 mounts, length 1131 mm,
 drilling distance between each mount 554 mm.

RA 425 130

Handle bar, aluminium, long
 With 3 mounts, length 1131 mm,
 drilling distance between each mount 554 mm.

RA 460 000

Accessory for side-by-side installation.
 Required if appliances are installed handle to handle. Not required if appliances are installed more than 160 mm apart from each other.
 Included in delivery at RF and RW.

RA 460 020

Connecting element for vertically split appliance fronts (for a flush front)

RA 460 040

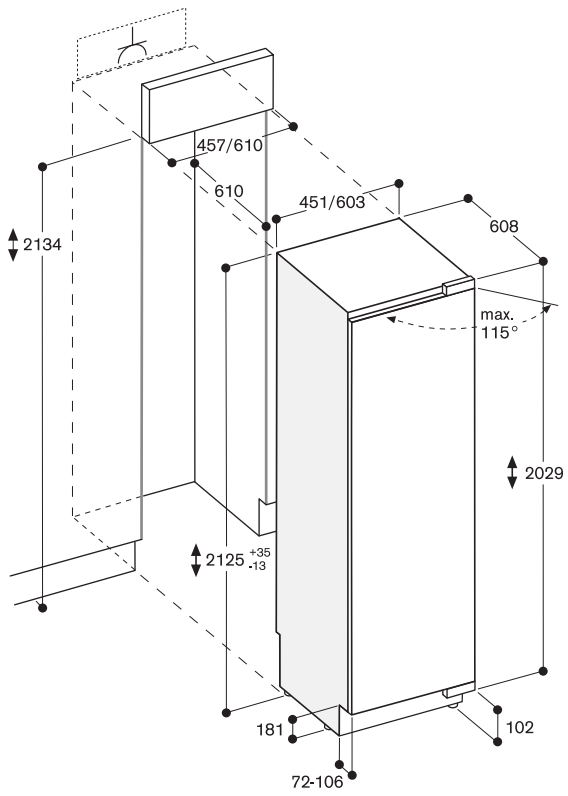
Finger protection for extra long furniture fronts

RA 461 116

Ventilation grille stainless steel
 For 45.7 cm wide appliances.

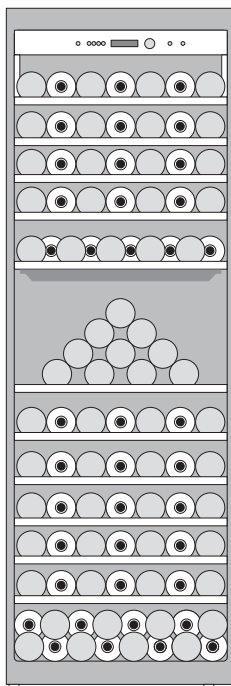
RA 461 616

Ventilation grille stainless steel
 For 61 cm wide appliances.

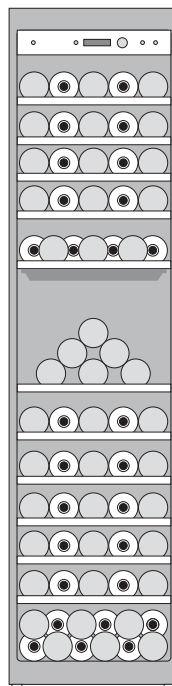


The maximum door panel dimensions are based on a clearance of 3 mm.

Bottle storage



Bottle storage



Additional planning note

Vario cooling 400 series

The side walls of the adjacent cabinetry have to be dimensionally stable, as the Vario cooling appliances are secured in the niche with only an anti-tilt bracket on the top back and on the bottom at the side.

Vario cooling appliances can be installed handle to handle as a side-by-side combination. In this case the side-by-side installation kit RA 460 000 is required.

If the distance between the appliances is greater than 16 mm or less than 160 mm the additional side heating element RA 460 011 needs to be installed between the appliances to avoid condensation.

If the appliances are combined hinge to handle the additional side heating element RA 460 011 is required as well. It can be omitted if the distance between the appliances is greater than 160 mm.

The additional side heating element RA 460 011 does not take up any additional space. It is already included in the niche dimensions and does not interfere with the finger protection.

If the Vario cooling appliances are joined together hinge to hinge an additional stable plinth must be foreseen between the appliances to guarantee the proper function of the finger protection.

If restrictions in use are accepted (no simultaneous opening of the doors possible) the appliances can be joined together directly, using the additional side heating element RA 460 011.

When installing a Vario cooling appliance from the 400 series next to a BO/BM/BS from the ovens 400 series, a lateral distance of 60 mm is required, if the BO/BM/BS retrofitted handle is on the same side as the Vario cooling appliance door hinge.

For the same installation next to a BOP/BMP/BSP from the ovens 200 series, a distance of 40 mm is required.

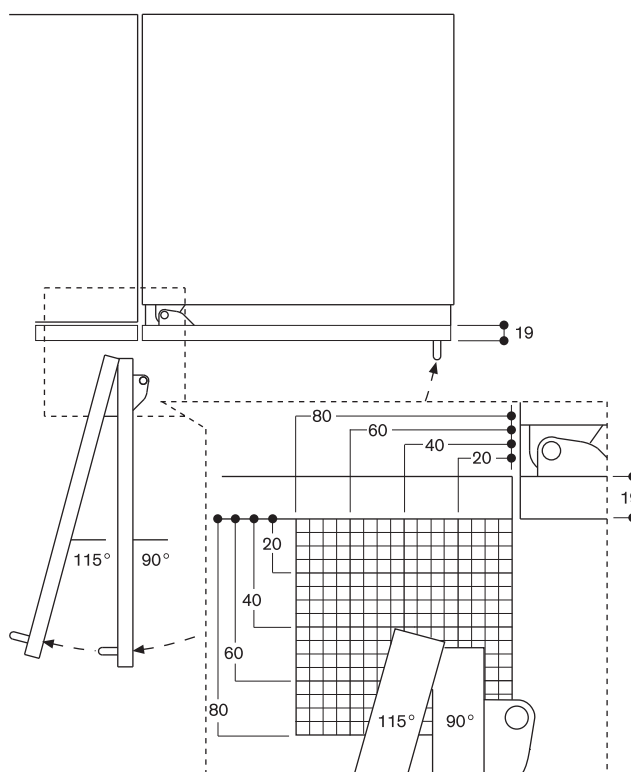
Door opening angle

To ensure correct kitchen planning it is essential to take into account the opening angle of the appliance door (plus fitted cabinet door and handle). There should be no possibility of collision with other kitchen furnishings (worktops, handles of other cabinetry etc.) or parts of the room (walls, protrusions etc.).

The space needed for the hinge and the consequential distance to the adjacent cabinetry and its handle can, depending on the panel thickness, be seen in the following drawing. The drawing assumes a panel thickness of 19 mm.

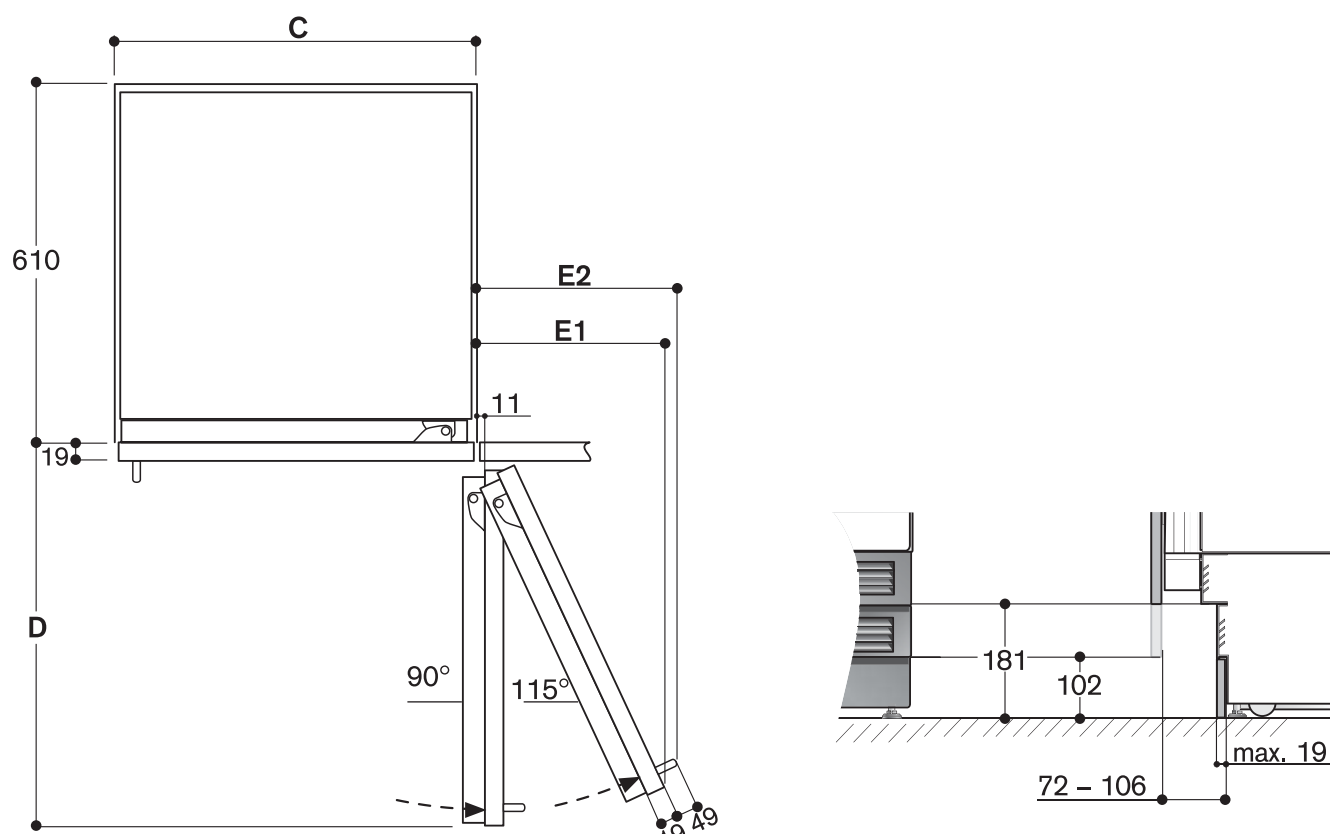
If a collision occurs, the following options are available to remedy the situation:

- Restrict the door opening angle to 90° (standard 115°). Pin to restrict the angle is enclosed with the appliance.
- Fit a spacer between the appliance and the cabinetry that it would collide with.
- Rearrange surrounding cabinetry or appliance.



Appliance dimensions

Wall clearance RB 472/RC/RF/RW

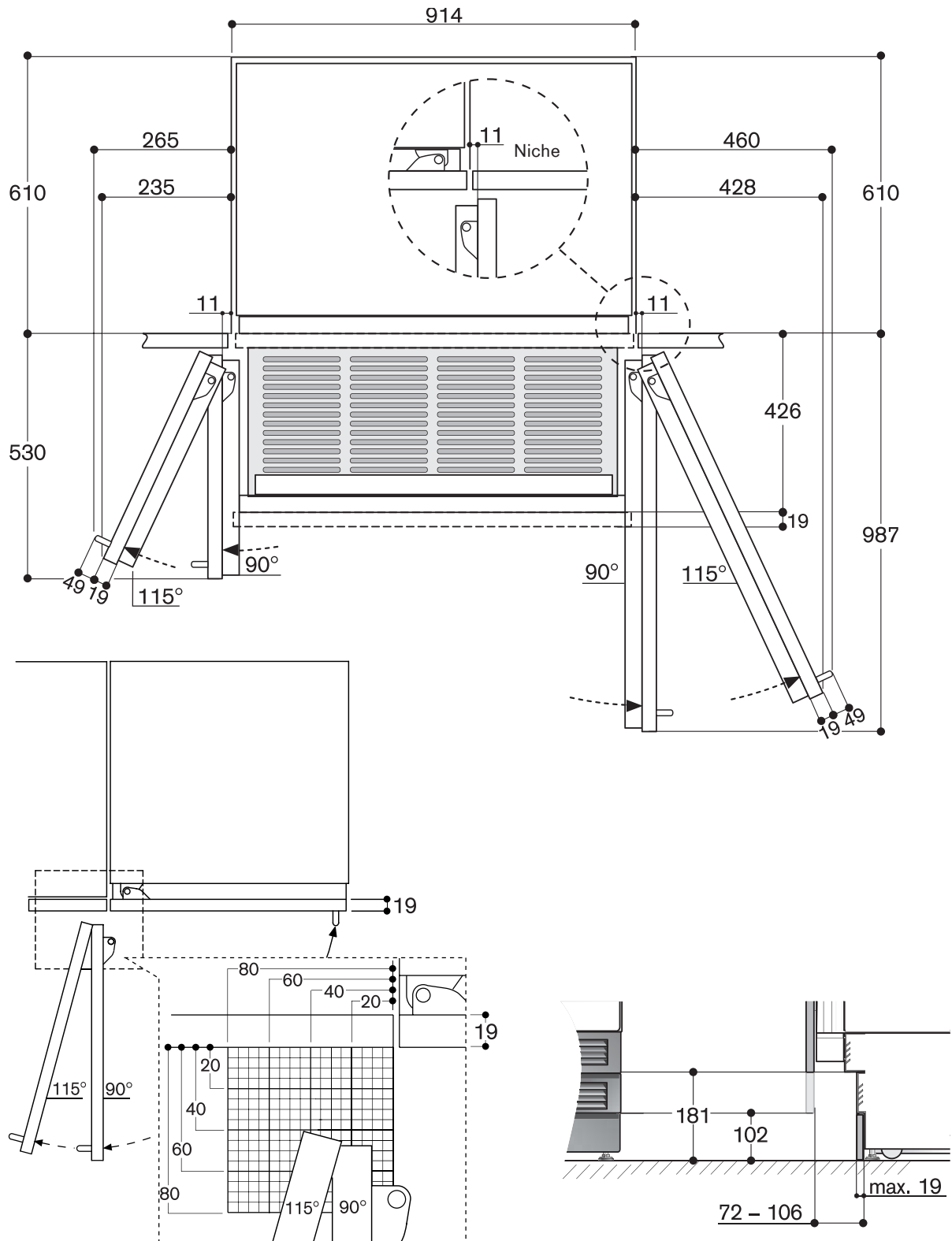


Appliance type	C	D	E1	E2
45.7 cm	457 mm	525 mm	235 mm	265 mm
61.0 cm	610 mm	677 mm	299 mm	330 mm
76.2 cm	762 mm	830 mm	363 mm	395 mm

Notes:

- The adjustable feet have an adjustment range of +35 mm to -13 mm. The standard height displayed in the pictures is 0 mm.
- For proper ventilation of the appliance, the clearance between the floor and bottom edge of the cabinet front must be at least 100 mm.
- The panel thickness of customised doors can range from between 19 mm and 38 mm (in the picture 19 mm).

Wall clearance RB 492/RY 492



Notes:

- The adjustable feet have an adjustment range of +35 mm to -13 mm. The standard height displayed in the pictures is 0 mm.
- For proper ventilation of the appliance, the clearance between the floor and bottom edge of the cabinet front must be at least 100 mm.
- The panel thickness of customised doors can range from between 19 mm and 38 mm (in the picture 19 mm).

Installation niche – Dimensions

Important!

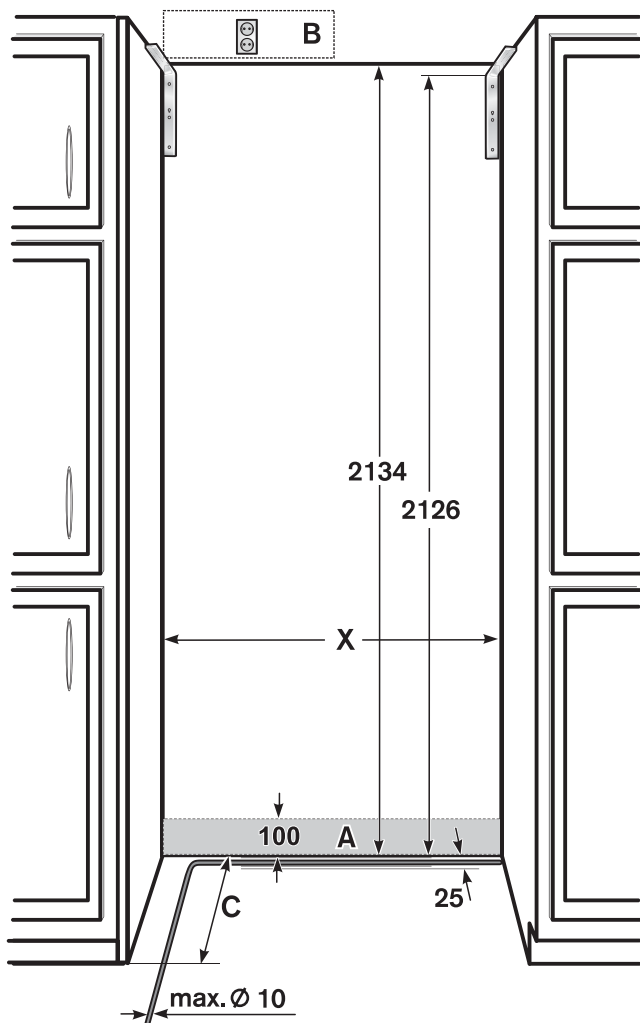
The specified dimensions of the installation niche must be observed to guarantee the proper installation of the appliance and the design of the cabinet front.

It is particularly important that the installation niche is square. The side walls must be smooth, not have any protrusions or unevenness. Use the appropriate tools, e.g. spirit level, diagonal measurements, etc. to determine whether the installation niche is square.

The side walls and the crown of the installation niche must be at least 16 mm thick.

Unlike conventional built-in appliances, Vario cooling appliances stand on the floor. This means that the installation niche is a space in a line of kitchen units.

Installation niche for an individual appliance:



Installation niche for a side-by-side solution:

In a side-by-side solution, there are many ways to combine the appliances.

The width of the installation niche is calculated from the sum of the widths of the individual appliances. The height and depth of the installation niche correspond to the specifications for the individual appliances. It is important to comply with the dimensions in the area set aside for electric and water connections. For the precise dimensions, please refer to the details given for individual appliances.

- A Area for installation the water connection
- B Area for installation the electrical connection
- C Depth of installation niche, depending on kitchen design.
C = 610 mm minimum!
- X Width of installation niche, refer to the table below for more details:

Appliance type	Width of the niche X
451 mm	457 mm
603 mm	610 mm
756 mm	762 mm
908 mm	914 mm

Dimensions of the special accessories door fronts/door front frames

The cabinetry, the height of the base board, the overall height of the kitchen and other determining dimensions of the kitchen must be taken into account, in order to plan the exact positioning of the cabinet door so that the appliance integrates perfectly into the overall picture of the kitchen.

The following diagrams show the basic dimensions of the special accessories door fronts/door front frames for various appliances.

The dimensions of the doors shown are designed for the following basic specifications:

- Height of the base board: 102 mm
- Overall height of the installation niche: 2,134 mm
- Gap: 3 mm
- Panel thickness: 19 mm

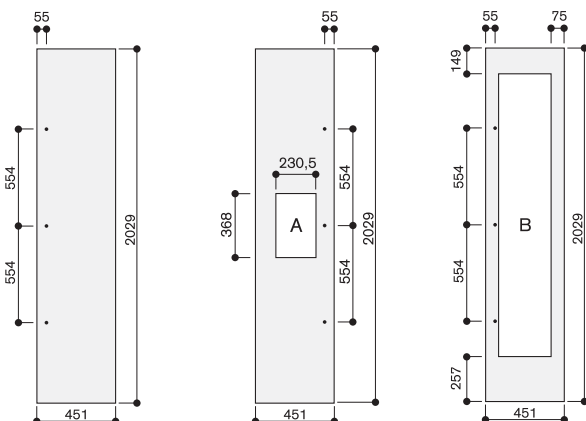
These specifications provide you with a good starting point for a variety of kitchen designs.

When designing a customised cabinet door, please ensure that the back of the cabinet door is visible to a height of 205 mm over the floor when opening the appliance door and adapt to the front design.

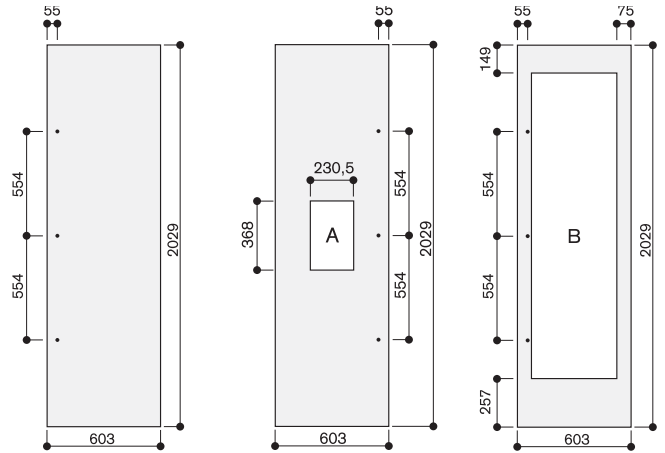
Important!

The following diagrams are not a substitute for detailed designs. Compliance with specified requirements relating to kitchen design is essential.

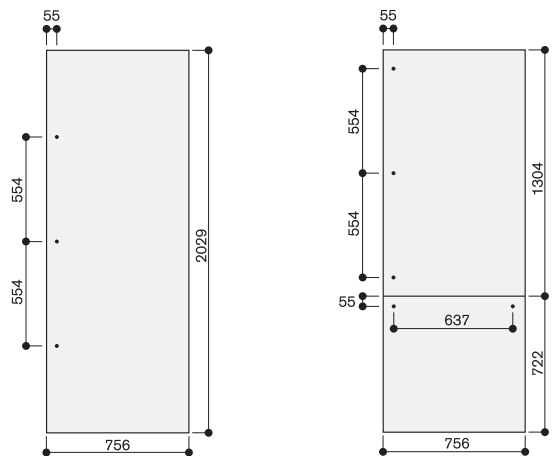
Width of the installation niche 457 mm



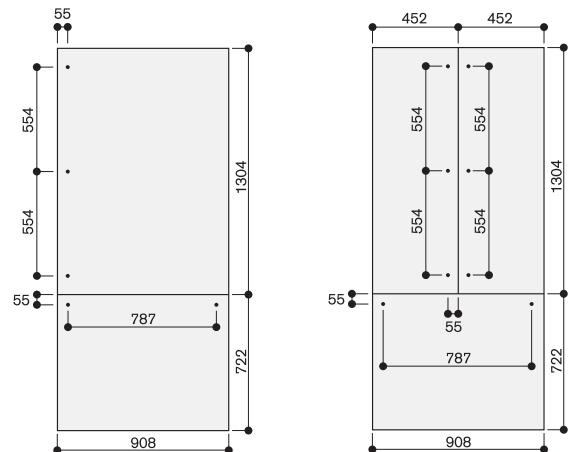
Width of the installation niche 610 mm



Width of the installation niche 762 mm

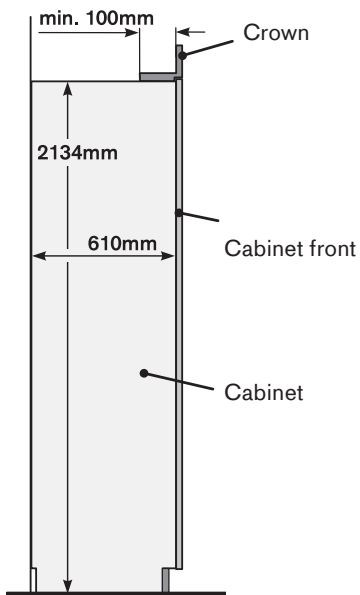
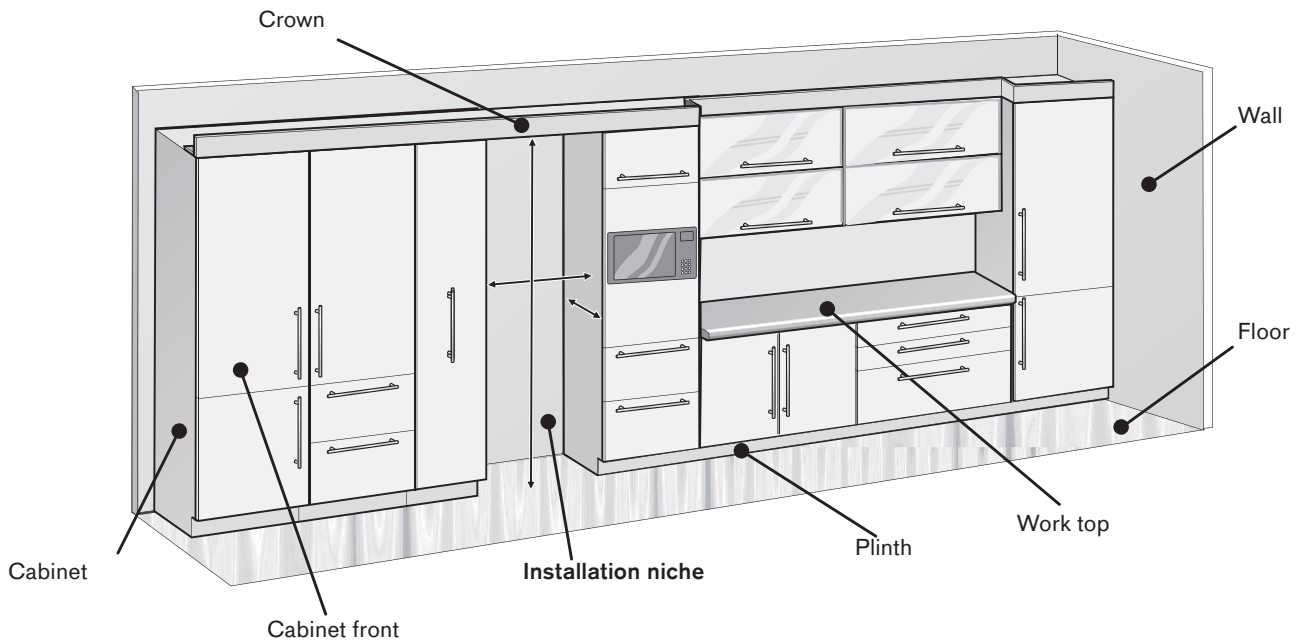


Width of the installation niche 914 mm



- A The cut-out for the ice and water dispenser is centred horizontally and vertically.
- B The width of the side frame parts of the door for the Vario wine storage cabinet can be between 65 and 82 mm. A width of 75 mm is recommended.

Planning principle for an individual appliance



**Vertical cut
Installation niche**

**Installation niche for an individual cooling appliance
(example: 762 mm wide)**

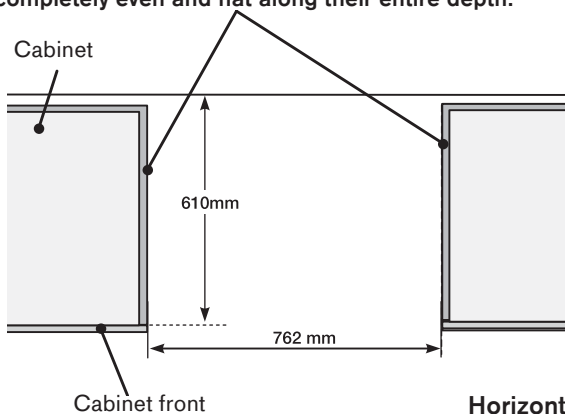
In this example, the installation niche is formed by two tall cupboards (left and right) with an appropriate crown to the niche.

The cabinet door for the appliance comes in an identical design to the other kitchen fronts.

Requirements for the installation niche:

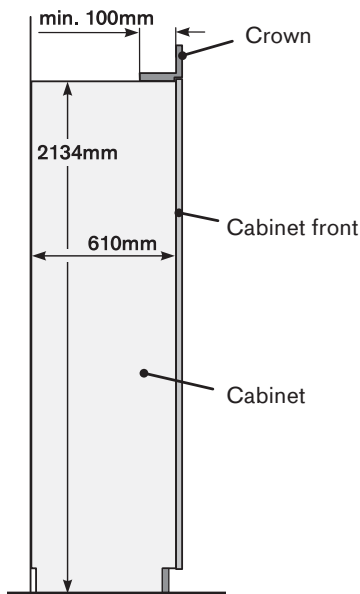
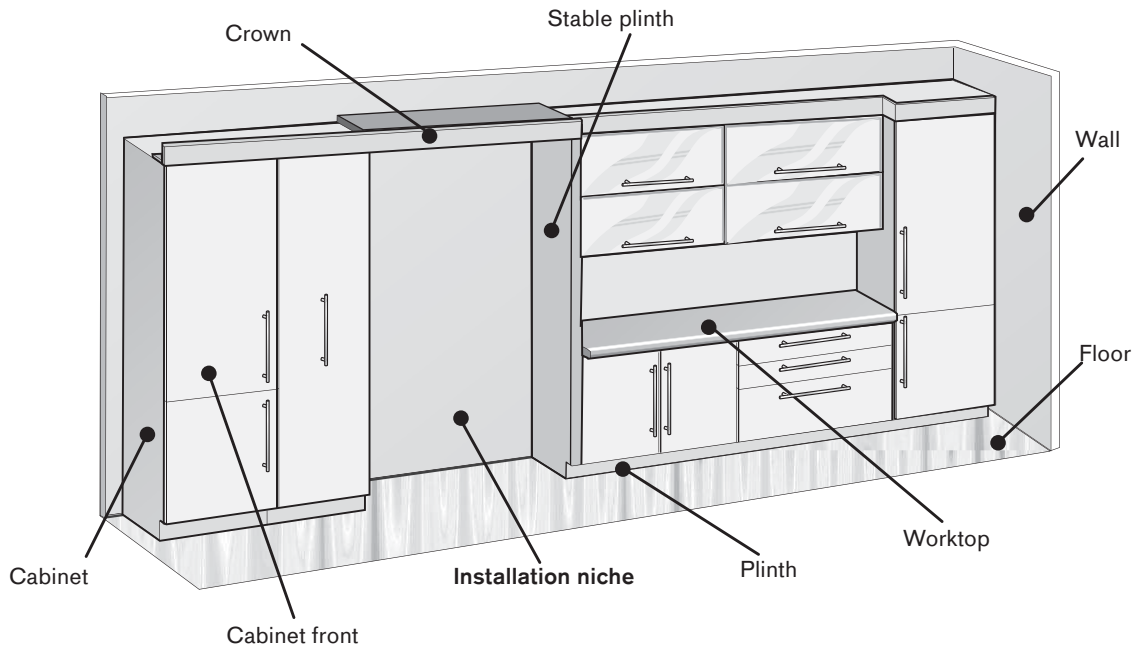
- The side walls of the installation niche must be completely even and flat along their entire depth
- Crown is at least 100 mm deep and made of a solid material (min. 16 mm thick)
- Width of the installation niche: 762 mm
- Depth of the installation niche: 610 mm

The side walls of the installation niche must be completely even and flat along their entire depth.



**Horizontal cut
Installation niche**

Planning principle for a side-by-side solution



Vertical cut Installation niche

Installation niche for a side-by-side solution

- 610 mm cooling appliance (right)
- 457 mm freezer (left)

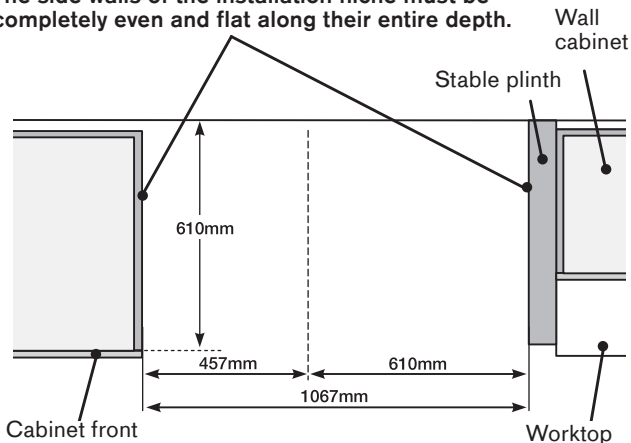
In this example, the installation niche is formed by a tall cupboard (left) and a stable plinth (right) together with an appropriate crown for the niche.

The cabinet door for both appliances comes in an identical design to the other kitchen fronts.

Requirements for the installation niche:

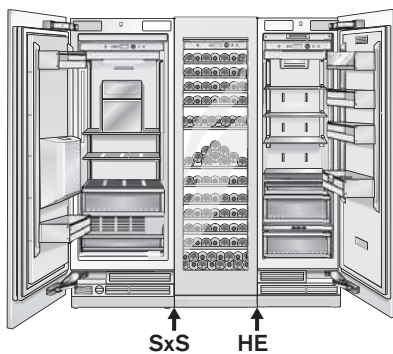
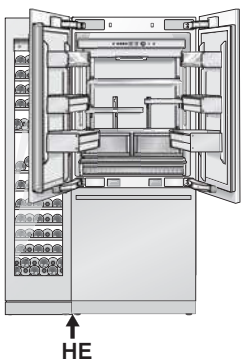
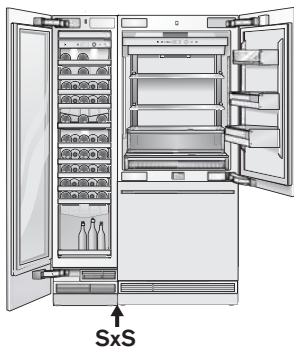
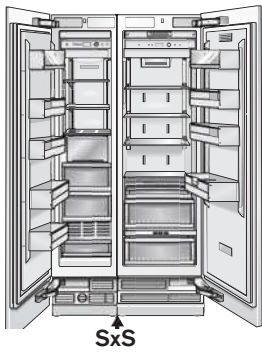
- The side walls of the installation niche must be completely even and flat along their entire depth
- Crown is at least 100 mm deep and made of a solid material (min. 16 mm thick)
- Width of the installation niche:
 $610 \text{ mm} + 457 \text{ mm} = 1067 \text{ mm}$
- Depth of the installation niche: 610 mm

The side walls of the installation niche must be completely even and flat along their entire depth.



Horizontal cut Installation niche

Planning examples



Side-by-side solution 1

RF 411 / RC 472

Usability limitations: No limitation.

Installation accessories: 1x RA 460 000 installation accessories for side-by-side installation (SxS).

Notes: Door hinges on the outside.

Side-by-side solution 2

RW 414 / RB 492

Usability limitations: No limitation.

Installation accessories: 1x RA 460 000 installation accessories for side-by-side installation (SxS).

Notes: Door hinges on the outside. Change door hinge of RW. If using the stainless steel or aluminium fronts (installation accessories), select the correct door hinges for the RW.

Side-by-side solution 3

RW 414 / RY 492

Usability limitations: Not all doors can be opened at the same time. The left door of the RY may collide with the handle of the RW.

Installation accessories: 1x RA 460 011 011 additional side heating element (HE).

Notes: Fitting the left RY doors at 90° is recommended. Change door hinge of RW. If using the stainless steel or aluminium fronts (installation accessories), select the correct door hinges for the RW.

Combination of 3

RF 463 / RW 464 / RC 462

Usability limitations: The doors of RW and RC cannot be opened at the same time, but one after another.

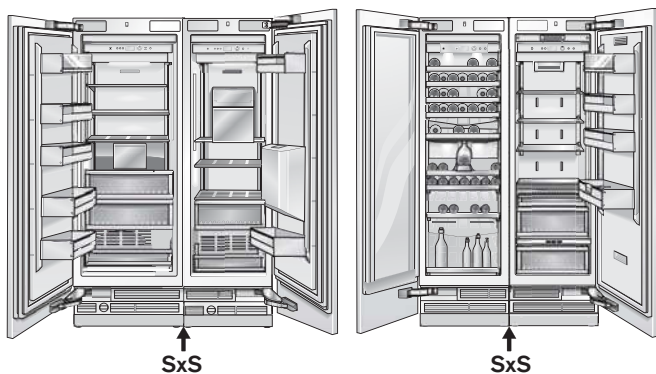
Installation accessories: 1 x RA 460 000 SxS (between RF and RW), 1 x RA 460 011 HE (between RW and RC)

Notes: All three appliances must be connected to each other before installation and pushed together into the installation niche.

Footnote:

*SxS Installation accessories for side-by-side installation

*HE Additional side heating element



Maximum distance

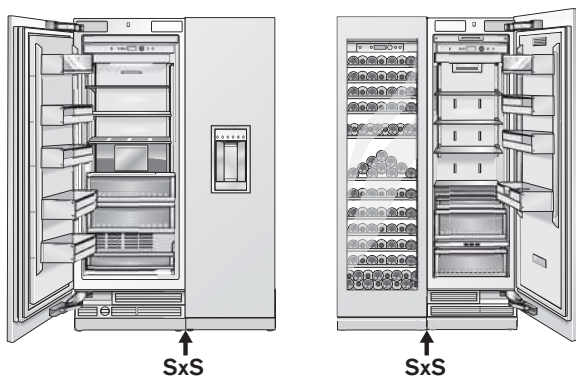
RF 471 / RF 463 / RW 464 / RC 472

Usability limitations: No limitation. All doors can be opened fully.

Installation accessories: 2x RA 460 000 SxS*.

Notes: Two separate installation niches. Clearance is large enough to open all doors at the same time. Change door hinge of RF 471 and RW 464.

If using the stainless steel or aluminium fronts (installation accessories), select the correct door hinges for the RW.



Distance ≥ 160 mm

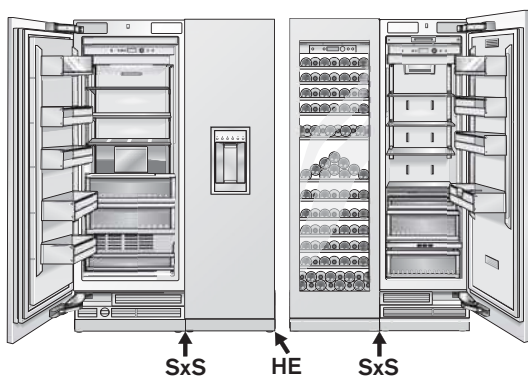
RF 471 / RF 463 / RW 464 / RC 472

Usability limitations: The middle doors cannot be opened at the same time.

Installation accessories: 2x RA 460 000 SxS*.

Notes: Two separate installation niches. The clearance between the two installation niches is greater than 160 mm. Change door hinge of RF 471 and RW.

If using the stainless steel or aluminium fronts (installation accessories), select the correct door hinges for the RW.



Distance ≤ 160 mm

RF 471 / RF 463 / RW 464 / RC 472

Usability limitations: It may be necessary to open the middle doors one after the other, rather than at the same time.

Installation accessories: 2x RA 460 000 SxS*.

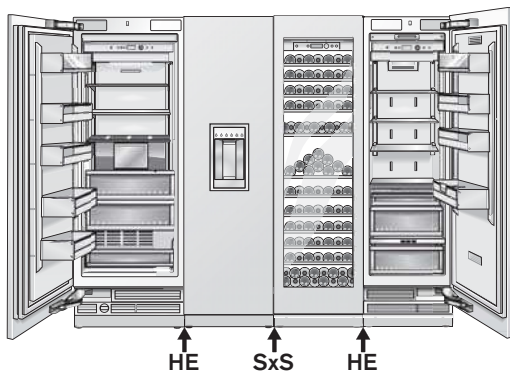
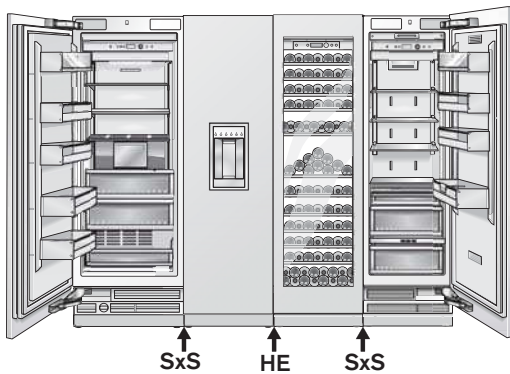
1x RA 460 011 HE*.

Notes: Two separate installation niches with a stable plinth between them. The clearance between the two installation niches is less than 160 mm. Therefore, an additional side heating element is required. Change door hinge of RF 471 and RW. If using the stainless steel or aluminium fronts (installation accessories), select the correct door hinges for the RW.

Footnote:

*SxS Installation accessories for side-by-side installation

*HE Additional side heating element



Combination of 4

RF 471 / RF 463 / RW 464 / RC 472

Usability limitations: The middle doors cannot be opened at the same time.

Installation accessories: 2x RA 460 000 SxS*
1x RA 460 011 HE*.

Notes: All 4 appliances must be connected to each other before installation and pushed together into the installation niche. Change door hinge of RF 471 and RW 464. If using the stainless steel or aluminium fronts (installation accessories), select the correct door hinges for the RW.

Combination of 4 - alternative

RF 471 / RF 463 / RW 464 / RC 472

Usability limitations: If the middle door is open, then neither of the outer doors can be opened.

Installation accessories: 1x RA 460 000 SxS* (between RF 463 and RW 464). 2x RA 460 011 HE* (between RF's and RW/RC).

Notes: The appliances in the middle are connected side-by-side. Connecting the others will require additional side heating elements. All 4 appliances must be connected to each other before installation and pushed together into the installation niche. Change door hinge of RF 471.

Footnote:

*SxS Installation accessories for side-by-side installation

*HE Additional side heating element

Base area/Crown of the niche

Base area

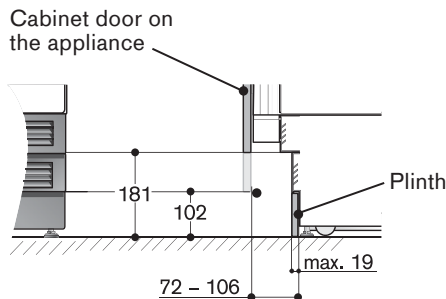
Important!

Poor ventilation leads to damage to the appliance!
Under no circumstances is it permitted to cover the air inlets and the exhaust air outlets of the appliance in the lower base area. You must observe the minimum distance of 100 mm between the upper edge of the floor and the bottom edge of the cabinet door of the appliance. Take this into consideration also when adjusting the appliance feet.

In relation to the standard height, the maximum height of the base board is 102 mm. The plinth can be maximum 19 mm thick.

Adhesive connectors are supplied on the front panel of the appliance for fitting the base board.

The air inlets and the exhaust air outlets of the appliance are located above the base board. They must not be covered.



For design reasons, it may be necessary to increase the distance between the upper edge of the floor and the bottom edge of the cabinet door of the appliance, so that it extends beyond the standard dimension of 102 mm. The maximum dimension is 181 mm. If this is the case, air inlets and exhaust air outlets would become visible!

Crown

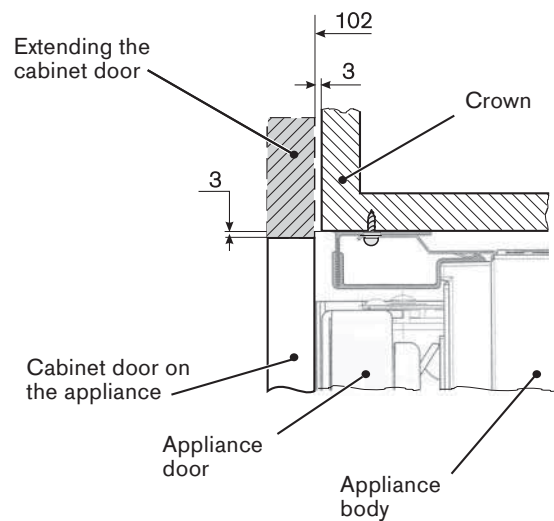
The height of the cabinet door on the appliance is dependent on:

- the overall height of the appliance,
- the distance from the bottom edge of the cabinet door to the floor,
- the appliance type (one-door or multi-door appliances).

The overall height of the appliance is 2,029 mm.

The height can be adjusted within a range of -13 mm to +35 mm. You must observe the minimum distance of 100 mm between the upper edge of the floor and the bottom edge of the cabinet door of the appliance.

This height can vary depending on the conditions at the site. It is possible, e.g. for design reasons, to lengthen the cabinet door upwards by extending it beyond the top of the appliance.



Important!

It must be ensured that the crown of the installation niche always has a depth of at least 100 mm (measured from the front edge of the appliance). Only then can the secure installation of the appliance in the installation niche be guaranteed.

Installation conditions

Location

The appliance should be installed in a dry, well ventilated room. The location of the appliance should not be subject to direct sunlight or near a source of heat, such as a cooker, a radiator, etc.

If installation next to a heat source is unavoidable, use a suitable insulating plate or observe the following minimum distances from the heat source:

- 3 cm to electric or gas cookers.
- 30 cm to an oil-fired or solid-fuel cooker.

The floor of the installation location must not give way; if required, reinforce floor. To ensure that the ice maker functions correctly, the appliance must be upright.

Room temperatures

The climate class is given on the rating plate. It provides details about the range of room temperatures the appliance can be operated at.

Climate classes	Permitted ambient temperature
SN	+10 °C bis 32 °C
N	+16 °C bis 32 °C
ST	+16 °C bis 38 °C
T	+16 °C bis 43 °C

Installation niche

The specified dimensions of the installation niche must be observed to guarantee the proper installation of the appliance and the design of the cabinet front.

It is particularly important that the installation niche is square. The side walls must be smooth, not have any protrusions or unevenness. Use the appropriate tools, e.g. spirit level, diagonal measurements, etc. to determine whether the installation niche is square.

The side walls and the crown of the installation niche must be at least 16 mm thick.

Neighbouring cabinetry

The new appliance is screwed firmly in place with the neighbouring cabinet parts.

Care should be taken to ensure that all cupboards onto which something is fastened, are connected firmly to the floor or the wall.

The thickness of the plinth can be a maximum 19 mm.

Surface

To ensure that the appliance is installed securely and functions properly, the surface must be level and even.

The floor must consist of a hard, rigid material.

The floor in the installation area must have the same height as the floor in the rest of the room.

Due to the heavy weight of a fully loaded appliance, the floor beneath must be stable.

If in doubt, consult an architect, structural engineer or construction expert.

Electrical connection

The socket must be near the appliance and also freely accessible also after installation of the appliance.

The appliance complies with the protection class I.

Connect the appliance to 220–240 V/50 Hz alternating current via a correctly installed socket with protective conductor. The socket must be fused with a 10 to 16 A fuse.

For appliances operated in non-European countries, check whether the stated voltage and current type match the values of your mains supply match the values of the mains supply. These specifications can be found on the rating plate.

Never connect the appliance to electronic energy saver plugs. Our appliances can be used with mains and sine-controlled inverters.

Mains-controlled inverters are used for photovoltaic systems which are connected directly to the power supply system. Sine-controlled inverters must be used for isolated applications (e.g. on ships or in mountain lodges) which are not connected directly to the national grid.

Water connection

A cold-water connection is required to operate the automatic ice maker.

The water pressure must be between 0.2 MPa and 0.8 MPa (2.0 and 8.0 bar). The installation must correspond to the local plumbing regulations.

A separate stop valve must be installed in the cold water supply. The shut-off valve must be located at the side of the appliance and must always be accessible (service/repairs).

When installing the water connection, pay attention to the permissible installation area for the water mains.

For connection to the drinking water mains use only water pipes which are suitable for drinking water. Observe national regulations and the connection conditions of the local water supply companies.

The maximum outside diameter of the water mains (without connecting pieces) is 10 mm.

Notes on the accessories

The following accessories are available for installing and configuring the appliance.

RA 425 110

Handle bar, stainless steel, long
With 3 mounts, length 1,131 mm,
drilling distance between each
mount 554 mm.



RA 425 130

Handle bar, aluminium, long
With 3 mounts, length 1,131 mm,
drilling distance between each
mount 554 mm.

RA 425 710

Handle bar, stainless steel, short.
For RB 472 with mount, length 658 mm,
drilling distance 637 mm.



RA 425 730

Handle bar, aluminium, short.
For RB 472 with mount, length 658 mm,
drilling distance 637 mm.

RA 425 910

Handle bar, stainless steel, short
For RB/RY 491/492, with 2 mounts,
length 810 mm, drilling distance
between the mounts 787 mm.



RA 425 930

Handle bar, aluminium, short
For RB/RY 491/492, with 2 mounts,
length 810 mm, drilling distance
between the mounts 787 mm.

RA 460 000

Installation accessory for side-by-side
installation

This sealing set will be required if two
appliances are to be joined in a
side-by-side combination. It contains
various parts for ensuring the secure
connection of two appliances,
including a sealing mat, which is fitted
in-between the appliances. This
sealing mat prevents condensation
from forming in the gap between the
appliances. In addition, it contains a
decorative strip for covering the gap
between the two appliances. Always
attach sealing mat to the appliance
situated on the left. Freezers and
wine-climate cabinets are fitted with a
sealing mat at the factory for
side-by-side installation.

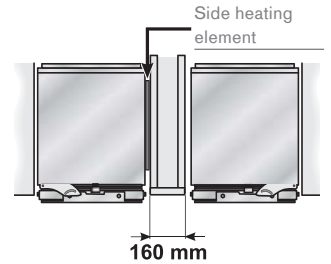


RA 460 011

Additional side heating element

The additional side heating element
prevents condensation on the side wall
of the appliance. With distances
greater than 160 mm, the additional
heating element is not required. The
additional side heating element does
not take up additional space. It is
already included in the niche
dimensions and does not interfere with
the finger protection.

If two appliances are being installed
separately next to each other and the
distance between them is less than
160 mm, then an additional side
heating element must be installed. This
also applies when two appliances are
connected directly, however, due to the
side of the door hinge chosen and the
installation requirements of the
corresponding finger protection, the
normal installation accessories for the
side-by-side installation cannot be
used. The additional side heating
element contains a thin heating mat
that must be fitted to the rightside wall
of the appliance on the left-hand side.
With distances greater than 160 mm,
the additional heating element is not
required.



RA 460 020

Connecting element for vertically split
appliance fronts (for a flush front)



RA 460 030

Connecting element for vertically split
fronts (for fridge-freezer combination)

For appliances with a width of 762 mm,
as well as for fridge-freezers with a
width of 914 mm, it is possible to form
the cabinet door using two narrow
cabinet doors, e.g. for design reasons.
In order to connect these two doors,
a metal strip is installed on the rear.



RA 460 040

Finger protection for extra long cabinet
doors

If the standard height has been
exceeded when designing the cabinet
doors, the extra long finger protection
must be installed to hide the entire gap
created between the appliance door
and the neighbouring cabinetry. This
can be individually cut to size.



Spare parts boxes for service technicians

All of the parts needed for installing
the appliances and their fronts are
supplied with the appliances.
Nevertheless, even service techni-
cians, who install many of these
appliances may require appropriate
installation parts. Two special spare
parts boxes have been put together for
this purpose. The spare parts boxes
can only be ordered via customer
service.

ET 479177

Spare parts box (small parts) e.g.
screws, mounting brackets, etc.

ET 479178

Spare parts (large parts) e.g. cover
strips, finger protection, etc.

The fan grille in the foot area at the front of the appliance can be made of stainless steel. Suitable stainless steel grilles are available for all models and installation options (door hinges on left or right).

RA 461 116

Ventilation grille stainless steel
For 45.7 cm wide appliances.

RA 462 110

Ventilation grille stainless steel
For RF 413, right-hinged.

RA 462 111

Ventilation grille stainless steel
For RF 413, left-hinged.



RA 461 616

Ventilation grille stainless steel
For 61 cm wide appliances.

RA 462 610

Ventilation grille stainless steel
For RF 463, right-hinged.

RA 462 611

Ventilation grille stainless steel
For RF 463, left-hinged.



RA 461 714

Ventilation grille stainless steel
For 76.2 cm wide appliances.

RA 461 715

Ventilation grille stainless steel
For RB 472.



RA 461 911

Ventilation grille stainless steel
For 91.4 cm wide appliances.



RA 491 131

Fully extendable bottle tray in beech and aluminium
For 45.7 cm wide appliances.



RA 491 630

Extendable bottle tray in beech and aluminium
Can be installed as forth drawer above the temperature divider.



RA 491 631

Fully extendable bottle tray in beech and aluminium
For 61 cm wide appliances.



RA 492 130

Fully extendable shelves in aluminium
For 45.7 cm wide appliances.
Suitable for decanters, open bottles and humidors.



RA 492 200

Shelves, set of 2 in glass
Suitable for decanters, open bottles and humidors.



RA 492 630

Fully extendable shelves in aluminium
For 61 cm wide appliances.
Suitable for decanters, open bottles and humidors.



RA 421 110

Stainless steel door panel with handle
For 45.7 cm wide appliances, panel thickness 19 mm.



RA 421 111

Stainless steel door panel frame with handle
For 45.7 cm wide appliances, left-hinged, panel thickness 19 mm.



RA 421 112

Stainless steel door panel frame with handle
For 45.7 cm wide appliances, right-hinged, panel thickness 19 mm.



RA 421 130

Aluminium door panel with handle
For 45.7 cm wide appliances, panel thickness 19 mm.



RA 421 131

Aluminium door panel frame with handle

For 45.7 cm wide appliances, left-hinged, panel thickness 19 mm.



RA 421 612

Stainless steel door panel frame with handle

For 61 cm wide appliances, right-hinged, panel thickness 19 mm.



RA 421 132

Aluminium door panel frame with handle

For 45.7 cm wide appliances, right-hinged, panel thickness 19 mm.



RA 421 630

Aluminium door panel with handle

For 61 cm wide appliances, panel thickness 19 mm.



RA 421 610

Stainless steel door panel with handle

For 61 cm wide appliances, panel thickness 19 mm.



RA 421 631

Aluminium door panel frame with handle

For 61 cm wide appliances, left-hinged, panel thickness 19 mm.



RA 421 611

Stainless steel door panel frame with handle

For 61 cm wide appliances, left-hinged, panel thickness 19 mm.



RA 421 632

Aluminium door panel frame with handle

For 61 cm wide appliances, right-hinged, panel thickness 19 mm.



RA 421 710
Stainless steel door panel with handle
For 76.2 cm wide appliances, panel
thickness 19 mm.



RA 421 910
Stainless steel door panels with
handles
For RB 491, panel thickness 19 mm.



RA 421 712
Stainless steel door panel with handle
For RB 472, panel thickness 19 mm.



RA 421 912
Stainless steel door panels with
handles
For RY 491, panel thickness 19 mm.



RA 421 730
Aluminium door panel with handle
For 76.2 cm wide appliances, panel
thickness 19 mm.



RA 421 930
Aluminium door panels with handles
For RB 491, panel thickness 19 mm.



RA 421 732
Aluminium door panel with handle
For RB 472, panel thickness 19 mm.



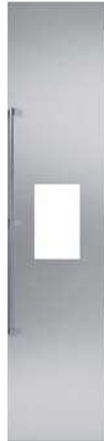
RA 421 932
Aluminium door panels with handles
For RY 491, panel thickness 19 mm.



RA 422 110
Stainless steel door panel with handle
For 45.7 cm wide appliances, panel
thickness 19 mm.



RA 422 130
Aluminium door panel with handle
For 45.7 cm wide appliances, panel
thickness 19 mm.



RA 422 610
Stainless steel door panel with handle
For 61 cm wide appliances, panel
thickness 19 mm.



RA 422 630
Aluminium door panel with handle
For 61 cm wide appliances, panel
thickness 19 mm.



GN 114 130
Gastronorm insert, stainless steel,
GN 1/3
Unperforated, 40 mm deep, 1.5 l.



GN 114 230
Gastronorm insert, stainless steel,
GN 2/3
Unperforated, 40 mm deep, 3 l.



GN 410 130
Gastronorm lid, stainless steel, GN 1/3
For stainless steel gastronorm inserts.



GN 410 230
Gastronorm lid, stainless steel, GN 2/3
For stainless steel gastronorm inserts.



RA 030 100
Storage container with transparent lid



RA 093 130
Presenters in aluminium for single
bottle display (set of 3) for RW 414



RA 093 630
Presenters in aluminium for single
bottle display (set of 3) for RW 464



RA 420 010
Door lock for RW414 and RW464



Accessories for Vario cooling 400 series



Appliance type	Fridge-freezer combination	Fridge-freezer combination	Fridge-freezer combination	Cooler	Cooler
	RB 492 301	RY 492 301	RB 472 301	RC 462 301	RC 472 301
Door panels / door panel frames					
Stainless steel door panel with handles, panel thickness 19 mm.	RA 421 910	RA 421 912	RA 421 712	RA 421 610	RA 421 710
Aluminium door panel with handles, panel thickness 19 mm.	RA 421 930	RA 421 932	RA 421 732	RA 421 630	RA 421 730
Stainless steel door panel frame with handle, left-hinged, panel thickness 19 mm.					
Stainless steel door panel frame with handle, right-hinged, panel thickness 19 mm.					
Aluminium door panel frame with handle, left-hinged, panel thickness 19 mm.					
Aluminium door panel frame with handle, right-hinged, panel thickness 19 mm.					
RA 420 010 Door lock for RW 414 and RW 464					
Ventilation grille					
Stainless steel	RA 461 911	RA 461 911	RA 461 715	RA 461 616	RA 461 714
Stainless steel, right-hinged.					
Stainless steel, left-hinged.					
Interior for wine climate cabinet					
Fully extendable bottle trays in beech and aluminium.					
Fully extendable shelves in aluminium.					
Suitable for decanters, open bottles and humidors.					
Presenter in aluminium for display of single bottles (set of 3).					
Handles					
RA 425 110 Stainless steel, length 1,131 mm with 3 mounts, drilling distance 554 mm each.	•	•	•	•	•
RA 425 130 Aluminium, length 1,131 mm with 3 mounts, drilling distance 554 mm each.	•	•	•	•	•
RA 425 710 Handle bar, stainless steel, short. For RB 472 with mount, length 658 mm, drilling distance 637 mm.	•		•		
RA 425 730 Handle bar, aluminium, short. For RB 472 with mount, length 658 mm, drilling distance 637 mm.	•		•		
RA 425 910 Handle bar, stainless steel, short. For RB/RY 491/472, with 2 mounts, length 810 mm, drilling distance between the mounts 787 mm.	•	•			
RA 425 930 Handle bar, aluminium, short. For RB/RY 491/472, with 2 mounts, length 810 mm, drilling distance between the mounts 787 mm.	•	•			
Miscellaneous					
ET 625 365 Antimicrobial activated charcoal air filter (spare part)	•	•	•	•	•



Refrigerator Refrigerator Refrigerator Refrigerator Refrigerator Refrigerator Refrigerator

RF 413 300 RF 413 301 RF 463 300 RF 463 301 RF 411 301 RF 461 301 RF 471 301

RA 422 110 RA 422 110 RA 422 610 RA 422 610 RA 421 110 RA 421 610 RA 421 710

RA 422 130 RA 422 130 RA 422 630 RA 422 630 RA 421 130 RA 421 630 RA 421 730

RA 462 110 RA 462 610 RA 461 116 RA 461 616 RA 461 714

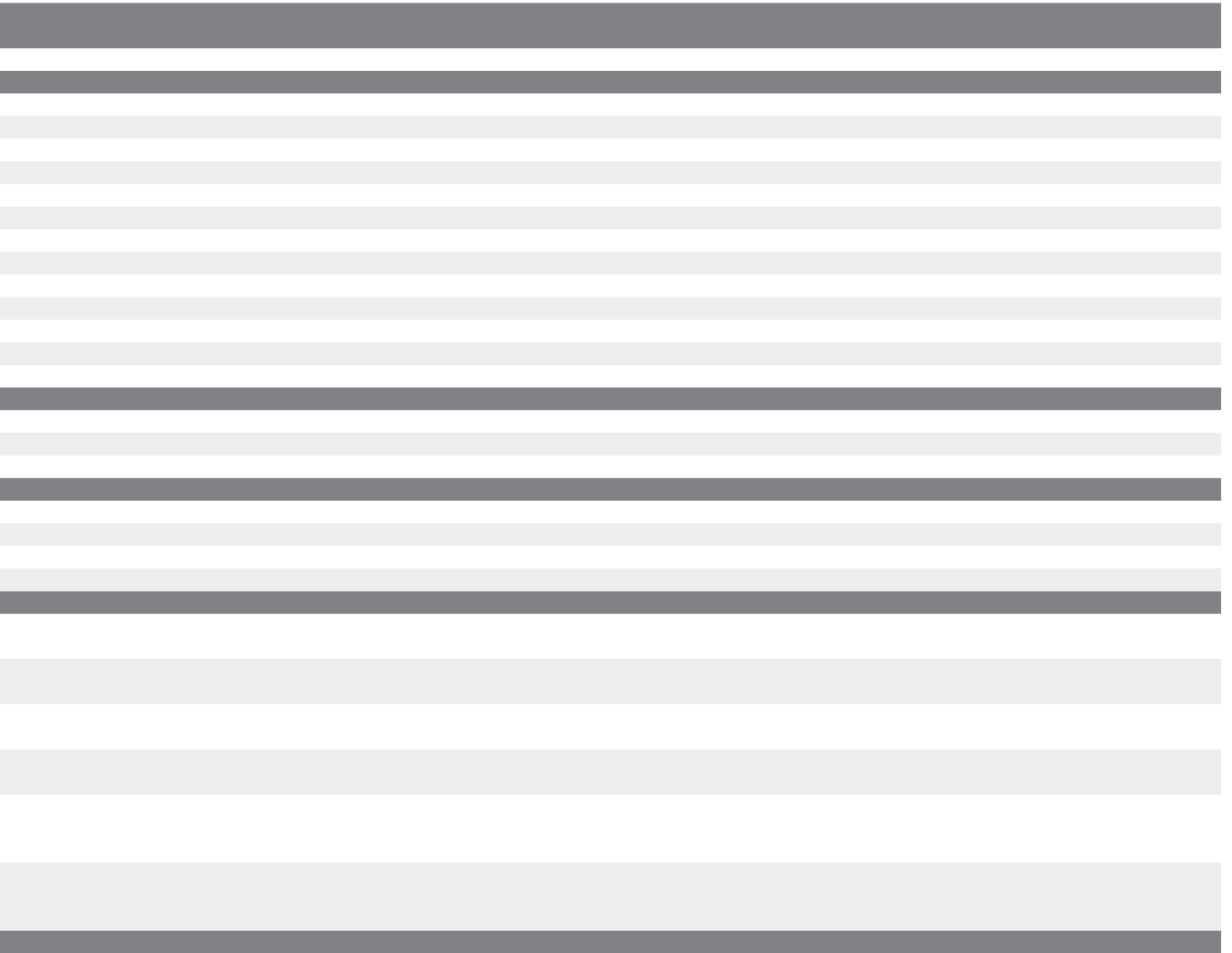
RA 462 111 RA 462 611

• • • • • • •

• • • • • • •



Appliance type	Wine climate cabinet	Wine climate cabinet	Wine climate cabinet	Wine climate cabinet
	RW 414 361	RW 464 361	RW 414 301	RW 464 301
Door panels / door panel frames				
Stainless steel door panel with handles, panel thickness 19 mm.			RA 421 110	RA 421 610
Aluminium door panel with handles, panel thickness 19 mm.			RA 421 130	RA 421 630
Stainless steel door panel frame with handle, left-hinged, panel thickness 19 mm.	RA 421 111	RA 421 611		
Stainless steel door panel frame with handle, right-hinged, panel thickness 19 mm.	RA 421 112	RA 421 612		
Aluminium door panel frame with handle, left-hinged, panel thickness 19 mm.	RA 421 131	RA 421 631		
Aluminium door panel frame with handle, right-hinged, panel thickness 19 mm.	RA 421 132	RA 421 632		
RA 420 010 Door lock for RW 414 and RW 464	•	•	•	•
Ventilation grille				
Stainless steel	RA 461 116	RA 461 616	RA 461 116	RA 461 616
Stainless steel, right-hinged.				
Stainless steel, left-hinged.				
Interior for wine climate cabinet				
Fully extendable bottle trays in beech and aluminium.	RA 491 131	RA 491 631	RA 491 131	RA 491 631
Fully extendable shelves in aluminium.				
Suitable for decanters, open bottles and humidors.	RA 492 130	RA 492 630	RA 492 130	RA 492 630
Presenter in aluminium for display of single bottles (set of 3).	RA 093 130	RA 093 630	RA 093 130	RA 093 630
Handles				
RA 425 110 Stainless steel, length 1,131 mm with 3 mounts, drilling distance 554 mm each.	•	•	•	•
RA 425 130 Aluminium, length 1,131 mm with 3 mounts, drilling distance 554 mm each.	•	•	•	•
RA 425 710 Handle bar, stainless steel, short. For RB 472 with mount, length 658 mm, drilling distance 637 mm.				
RA 425 730 Handle bar, aluminium, short. For RB 472 with mount, length 658 mm, drilling distance 637 mm.				
RA 425 910 Handle bar, stainless steel, short. For RB/RY 491/472, with 2 mounts, length 810 mm, drilling distance between the mounts 787 mm.				
RA 425 930 Handle bar, aluminium, short. For RB/RY 491/472, with 2 mounts, length 810 mm, drilling distance between the mounts 787 mm.				
Miscellaneous				
ET 625 365 Antimicrobial activated charcoal air filter (spare part)	•	•	•	•



Technical specifications



Appliance type		Fridge-freezer combination	Fridge-freezer combination	Fridge-freezer combination	Cooler
Fully integrated / integrated		RY 492 301 ⁴	RB 492 301 ⁴	RB 472 301	RC 472 301 ⁴
Dimensions					
Appliance dimensions W x H x D	(cm)	90.8 x 212.5 x 60.8	90.8 x 212.5 x 60.8	75.6 x 212.5 x 60.8	75.6 x 212.5 x 60.8
Niche dimensions W x H x D	(cm)	91.4 x 213.4 x 61	91.4 x 213.4 x 61	76.2 x 213.4 x 61	76.2 x 213.4 x 61
Depth including wall clearance	(cm)	61	61	61	61
Weight when empty	(kg)	252	250	189	203
Shipping weight	(kg)	274	271	218	222
Maximum load weight	(kg)	622	616	433	564
Transport package dimensions W x H x D	(cm)	100 x 228 x 75	100 x 226 x 74	85.3 x 225 x 74.3	82 x 225 x 74
Type and configuration					
Fully integrated / integrated / under-counter / free-standing		•/–/–/°	•/–/–/°	•/–/–/–	•/–/–/–
Door hinge right / left / reversible		•/•/–	•/–/•	•/–/•	•/–/•
Full panelling / door panelling		°/°	°/°	–/°	–/°
Volume / consumption data					
Cooling / fresh cooling / fresh cooling zone close to 0°C / freezing / wine		•/•/–/•/–	•/•/–/•/–	•/•/–/•/–	•/–/•/–/–
Total gross volume / total net volume	(l)	633/526	639/532	521/438	547/480
– Net volume of cooling	(l)	355	361	300	413
– Net volume of fresh cooling zone close to 0°C / fresh cooling	(l)	25	25	19	67
– Net volume of freezing	(l)	146	146	119	–
Storage capacity 0.75 litre bottles	(no.)	–	–	–	–
Energy efficiency class ²		A+	A+	A++	A+
Daily energy consumption DIN EN 153 ³	(kWh/24h)	1.158	1.165	0.800	0.50
Annual energy consumption DIN EN 153 ³	(kWh)	423	426	292	182
Daily energy consumption per 100 l of net volume ³	(kWh)	0.22	0.22	0.18	0.11
Noise level	(dB (re 1pW))	42	42	43	40
Climate class		SN – T	SN – T	T	SN – T
Features					
Ice and water dispenser with ice cubes / crushed ice / water		•/–/–	•/–/–	•/–/–	–/–/–
Fresh cooling zones with humidity control	(no.)	–	–	–	1
Cooling zones with humidity control	(no.)	–	–	–	–
Temperature / climate zones	(no.)	3	3	3	2
Temperature display internal / external		•/–	•/–	•/–	•/–
Temperature adjustable to the precise degree		•	•	•	•
No-Frost technology		•	•	•	•
Automatic defrosting: cooling / fresh cooling / freezing		•/•/•	•/•/•	•/•/•	•/•/–
Presentation light		–	–	–	–
Lock		–	–	–	–
Humidity control		–	–	–	–
Activated charcoal air filter		–	–	–	–
Antimicrobial activated charcoal air filter		•	•	•	•
Low-vibration operation		–	–	–	–
UV-protection		•	–	–	–
Stainless steel interior		•	•	•	•
Vacation mode		•	•	•	•
Malfunction, visual / audible warning signal		•/•	•/•	•/•	•/•
Door open, visual / audible warning signal or door lock indication		–/•	–/•	–/•	–/•
Cooling / fresh cooling					
Fast cooling		•	•	•	•
Dynamic cold air distribution		•	•	•	•
Levels in the interior	(no.)	4	4	3	4
Containers / drawers in the interior	(no.)	3	3	2	2
Door racks	(no.)	6	3	3	4
Egg racks	(no. of eggs)	18	18	18	18
Wine					
Max. levels in the interior		–	–	–	–
Bottle tray fully extendable / extendable		–	–	–	–
Shelf fully extendable / extendable		–	–	–	–
Storage of Magnum bottles possible		–	–	–	–
Suitable for decanters, open bottles and humidors		–	–	–	–
Freezing					
Fast freezing		•	•	•	–
Freezing capacity	(kg/24h)	22	22	14	–
Storage time after a malfunction	(Std.)	20	20	18	–
Interior compartments	(no.)	–	–	–	–
Baskets, containers, drawers in the interior	(no.)	2	2	2	–
Door racks	(no.)	–	–	–	–
Ice cub trays	(no.)	1	1	1	–
Connection					
Total connected load	(kW)	0.574	0.574	0.177	0.311
Water connection inlet		•	•	•	–

• Standard. – Not available. ° Special accessory.

¹ RF 4.3.00 only right, RF 4.3.01 only left.

² Values according to EU regulation 1060/2010.

³ Effective consumption depends on the use/location of appliance.

⁴ Available 4. quarter 2013.



Cooler	Refrigerator	Refrigerator	Refrigerator	Refrigerator	Refrigerator
RC 462 3014	RF 463 300/3014	RF 413 300/3014	RF 471 3014	RF 461 3014	RF 411 3014
60.3 x 212.5 x 60.8	60.3 x 212.5 x 60.8	45.1 x 212.5 x 60.8	75.6 x 212.5 x 60.8	60.3 x 212.5 x 60.8	45.1 x 212.5 x 60.8
61 x 213.4 x 61	61 x 213.4 x 61	45.7 x 213.4 x 61	76.2 x 213.4 x 61	61 x 213.4 x 61	45.7 x 213.4 x 61
61	61	61	61	61	61
176	174	139	193	172	138
193	189	153	210	187	152
555	401	300	483	401	300
70 x 228 x 74	70 x 225 x 74	54 x 225 x 74	85 x 226 x 74	70 x 225 x 74	54 x 228 x 74
•/•/•/•	•/•/•/•	•/•/•/•	•/•/•/•	•/•/•/•	•/•/•/•
•/•/•	• ¹ /• ¹ /•	• ¹ /• ¹ /•	•/•/•	•/•/•	•/•/•
-/°	-/°	-/°	-/°	-/°	-/°
•/•/•/•/•	-/•/•/•/•	-/•/•/•/•	-/•/•/•/•	-/•/•/•/•	-/•/•/•/•
423/369	359/299	249/198	491/421	379/321	266/222
318	-	-	-	-	-
51	-	-	-	-	-
-	299	198	421	321	222
-	-	-	-	-	-
A++	A+	A+	A+	A+	A+
0.362	0.935	0.817	1.169	0.977	0.872
133	342	299	427	357	319
0.10	0.31	0.41	0.28	0.30	0.39
40	41	41	42	41	41
SN - T	SN - T	SN - T	SN - T	SN - T	SN - T
-/•/•	•/•/•	•/•/•	•/•/•	•/•/•	•/•/•
1	-	-	-	-	-
-	-	-	-	-	-
2	1	1	1	1	1
•/•	•/•	•/•	•/•	•/•	•/•
•	•	•	•	•	•
•	•	•	•	•	•
•/•/•	-/•/•	-/•/•	-/•/•	-/•/•	-/•/•
-	-	-	-	-	-
-	-	-	-	-	-
-	-	-	-	-	-
•	-	-	-	-	-
-	-	-	-	-	-
•	•	•	•	•	•
•	•	•	•	•	•
•/•	•/•	•/•	•/•	•/•	•/•
-/•	-/•	-/•	-/•	-/•	-/•
•	-	-	-	-	-
•	-	-	-	-	-
4	-	-	-	-	-
2	-	-	-	-	-
4	-	-	-	-	-
18	-	-	-	-	-
-	-	-	-	-	-
-	-	-	-	-	-
-	-	-	-	-	-
-	-	-	-	-	-
-	-	-	-	-	-
-	•	•	•	•	•
-	14	9	20	18	18
-	14	10	19	17	12
-	4	4	4	4	4
-	2	2	2	2	2
-	2	2	5	5	5
-	1	1	1	1	1
0.266	0.592	0.55	0.501	0.421	0.366
-	•	•	•	•	•



Appliance type		Wine climate cabinet	Wine climate cabinet	Wine climate cabinet	Wine climate cabinet
		RW 414 361	RW 464 361	RW 414 301	RW 464 301
Dimensions					
Appliance dimensions W x H x D	(cm)	45.1 x 212.5 x 60.8	60.3 x 212.5 x 60.8	45.1 x 212.5 x 60.8	60.3 x 212.5 x 60.8
Niche dimensions W x H x D	(cm)	45.7 x 213.4 x 61	61 x 213.4 x 61	45.7 x 213.4 x 61	61 x 213.4 x 61
Depth including wall clearance	(cm)	61	61	61	61
Weight when empty	(kg)	148	175	148	175
Shipping weight	(kg)	163	192	163	192
Maximum load weight	(kg)	377	571	377	571
Transport package dimensions W x H x D	(cm)	54 x 226 x 74	70 x 228 x 74	54 x 226 x 74	70 x 228 x 74
Type and configuration					
Fully integrated / integrated / under-counter / free-standing		•/-/-/-	•/-/-/-	•/-/-/-	•/-/-/-
Door hinge right / left / reversible		•/-/•	•/-/•	•/-/•	•/-/•
Full panelling / door panelling		-/°	-/°	-/°	-/°
Volume / consumption data					
Cooling / fresh cooling / fresh cooling zone close to 0°C / freezing / wine		-/-/-/-/•	-/-/-/-/•	-/-/-/-/•	-/-/-/-/•
Total gross volume / total net volume	(l)	311/271	445/390	311/271	445/390
- Net volume of cooling	(l)	-	-	-	-
- Net volume of fresh cooling zone close to 0°C / fresh cooling	(l)	-	-	-	-
- Net volume of freezing	(l)	-	-	-	-
Storage capacity 0.75 litre bottles	(no.)	70	99	70	99
Energy efficiency class ²		B	B	B	B
Daily energy consumption DIN EN 153 ³	(kWh/24h)	0.624	0.648	0.624	0.648
Annual energy consumption DIN EN 153 ³	(kWh)	228	237	228	237
Daily energy consumption per 100 l of net volume ³	(kWh)	0.23	0.17	0.23	0.17
Noise level	(dB (re 1pW))	42	42	42	42
Climate class		SN - T	SN - T	SN - T	SN - T
Features					
Ice and water dispenser with ice cubes / crushed ice / water		-/-/-	-/-/-	-/-/-	-/-/-
Fresh cooling zones with humidity control	(no.)	-	-	-	-
Cooling zones with humidity control	(no.)	-	-	-	-
Temperature / climate zones	(no.)	2	2	2	2
Temperature display internal / external		•/-	•/-	•/-	•/-
Temperature adjustable to the precise degree		•	•	•	•
No-Frost technology		•	•	•	•
Automatic defrosting: cooling / fresh cooling / freezing		•/-/-	•/-/-	•/-/-	•/-/-
Presentation light		•	•	•	•
Lock		°	°	°	°
Humidity control		•	•	•	•
Activated charcoal air filter		-	-	-	-
Antimicrobial activated charcoal air filter		•	•	•	•
Low-vibration operation		•	•	•	•
UV-protection		•	•	•	•
Stainless steel interior		•	•	•	•
Vacation mode		•	•	•	•
Malfunction, visual / audible warning signal		•/•	•/•	•/•	•/•
Door open, visual / audible warning signal or door lock indication		-/•	-/•	-/•	-/•
Cooling / fresh cooling					
Fast cooling		-	-	-	-
Dynamic cold air distribution		-	-	-	-
Levels in the interior	(no.)	-	-	-	-
Containers / drawers in the interior	(no.)	-	-	-	-
Door racks	(no.)	-	-	-	-
Egg racks	(no. of eggs)	-	-	-	-
Wine					
Max. levels in the interior		13	13	13	13
Bottle tray fully extendable / extendable		•	•	•	•
Shelf fully extendable / extendable		°	°	°	°
Storage of Magnum bottles possible		•	•	•	•
Suitable for decanters, open bottles and humidors		°	°	°	°
Freezing					
Fast freezing		-	-	-	-
Freezing capacity	(kg/24h)	-	-	-	-
Storage time after a malfunction	(Std.)	-	-	-	-
Interior compartments	(no.)	-	-	-	-
Baskets, containers, drawers in the interior	(no.)	-	-	-	-
Door racks	(no.)	-	-	-	-
Ice cub trays	(no.)	-	-	-	-
Connection					
Total connected load	(kW)	0.121	0.131	0.121	0.131
Water connection inlet		-	-	-	-

• Standard. - Not available. ° Special accessory.

¹ RF 4.3 .00 only right, RF 4.3 .01 only left.

² Values according to EU regulation 1060/2010.

³ Effective consumption depends on the use/location of appliance.

Gaggenau Hausgeräte GmbH

Carl-Wery-Straße 34

D-81739 München

www.gaggenau.com