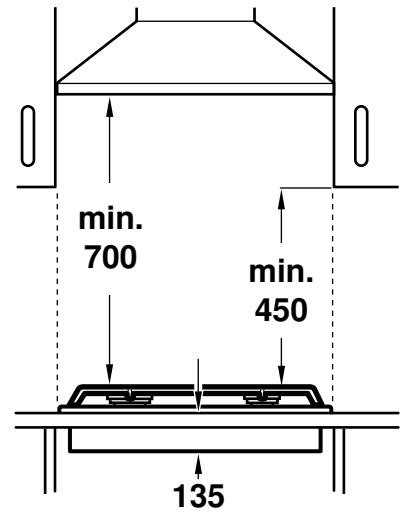
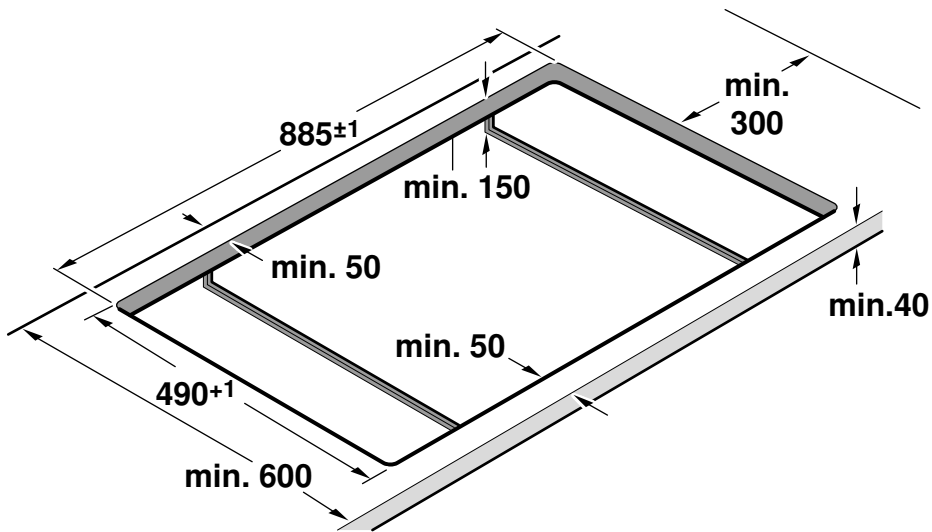
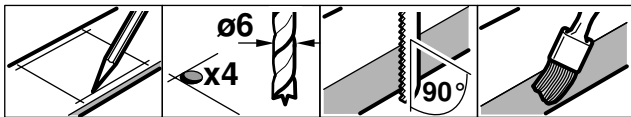
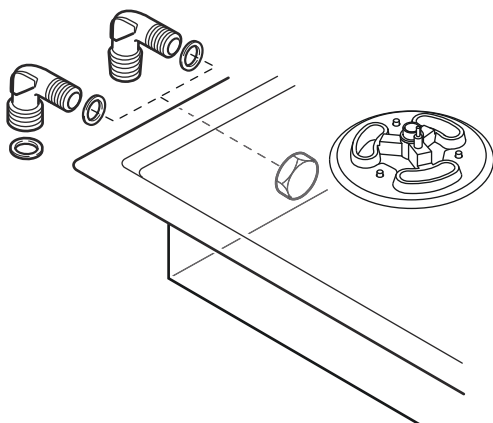


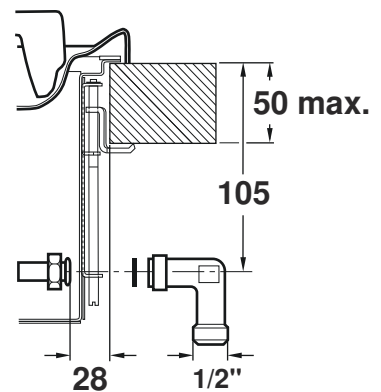
1.



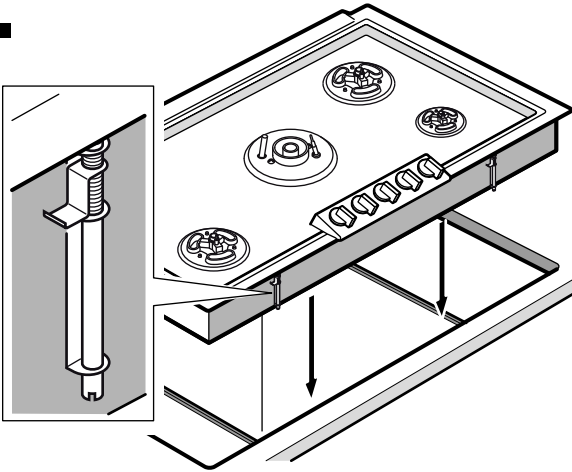
2.



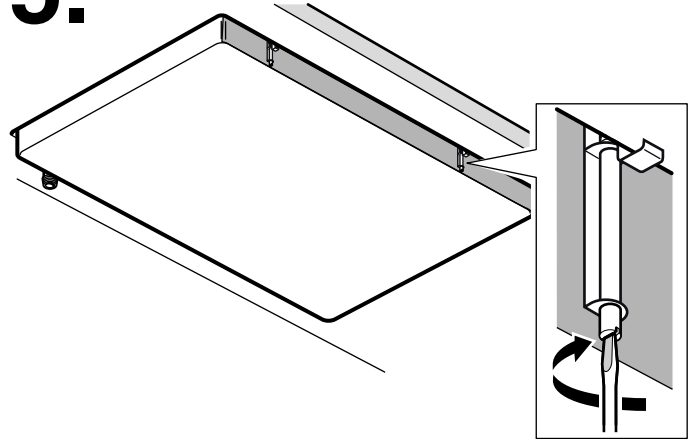
3.



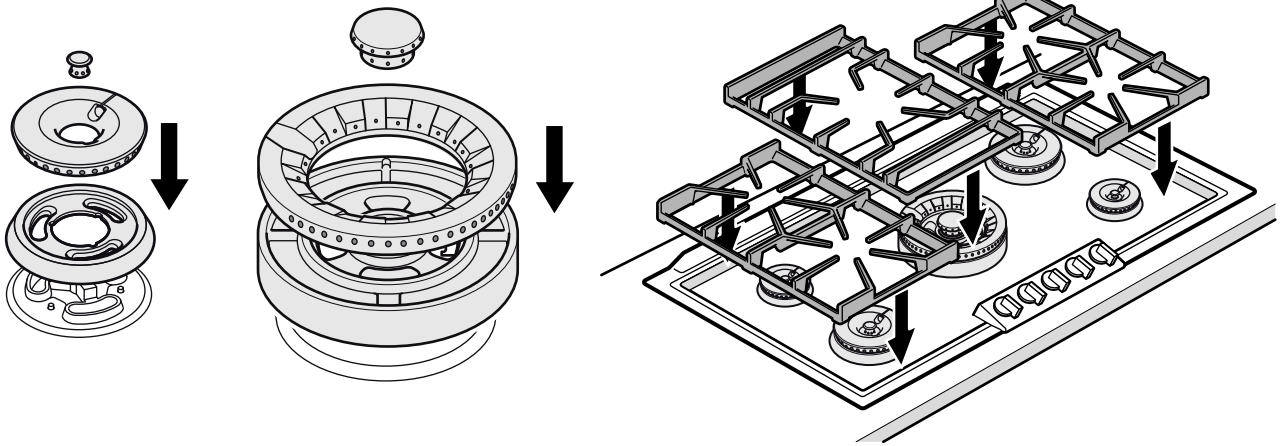
4.



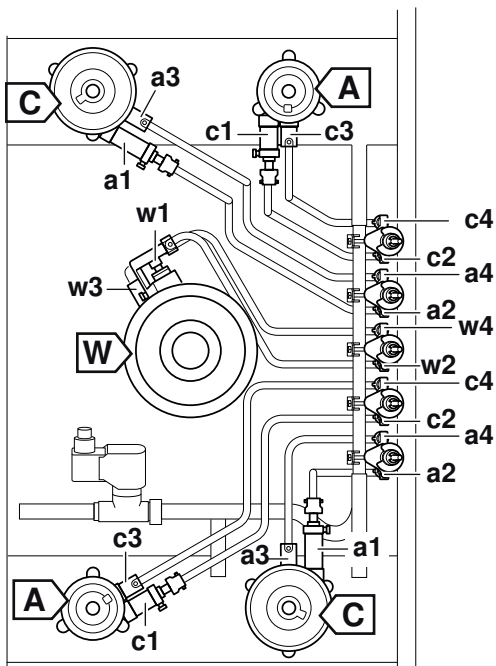
5.



6.



7.



A	LNG 20 mbar	LPG 25-28 mbar
a1	98	68
L1	0 mm	6 mm
a2	48	34
a3	40	29
L2	4 mm	open
a4	36	28

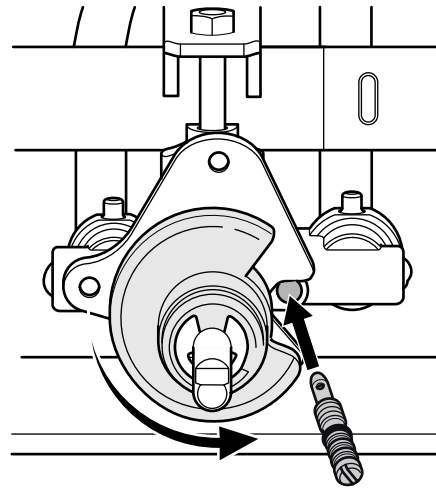
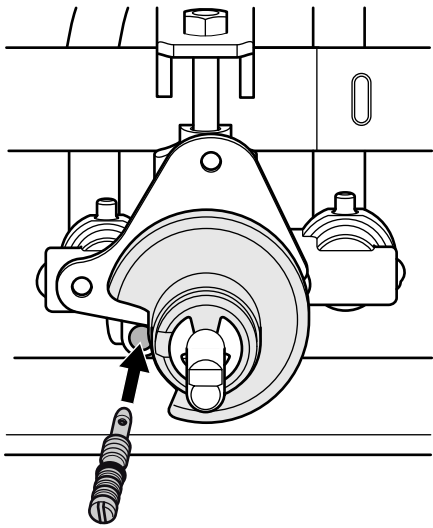
C	LNG 20 mbar	LPG 25-28 mbar
c1	137	105
L1	0 mm	2 mm
c2	59	45
c3	40	29
L2	4 mm	open
c4	36	28

W	LNG 20 mbar	LPG 25-28 mbar
w1	173	110A
	L 0mm	L 2mm
w2	73	56
w3	58	42
w4	45	34

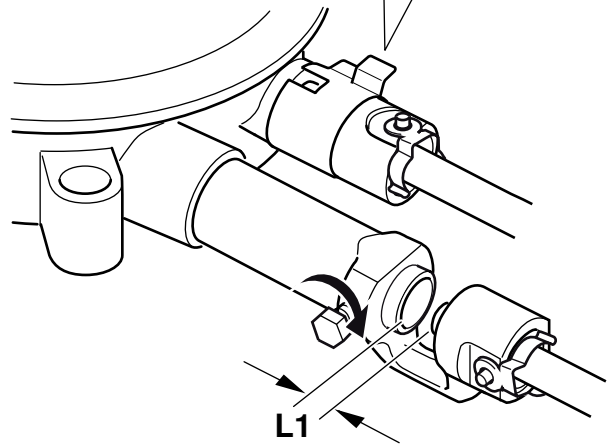
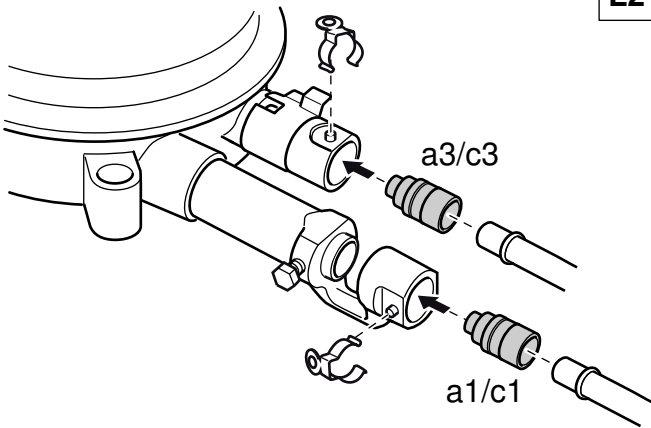
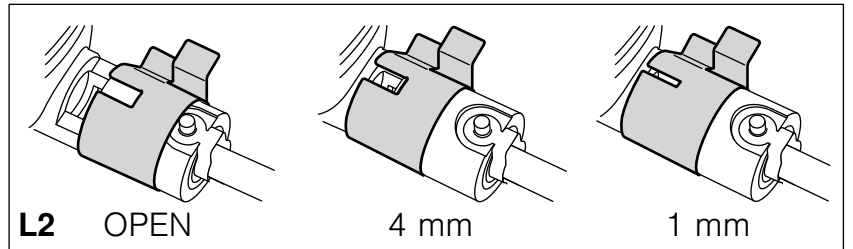
ΣV 1,72 m³/h

ΣM 1300 g/h

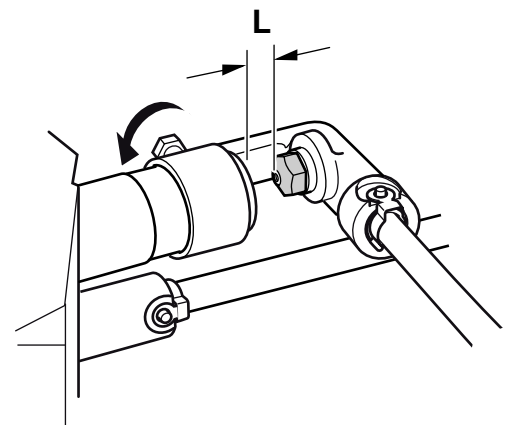
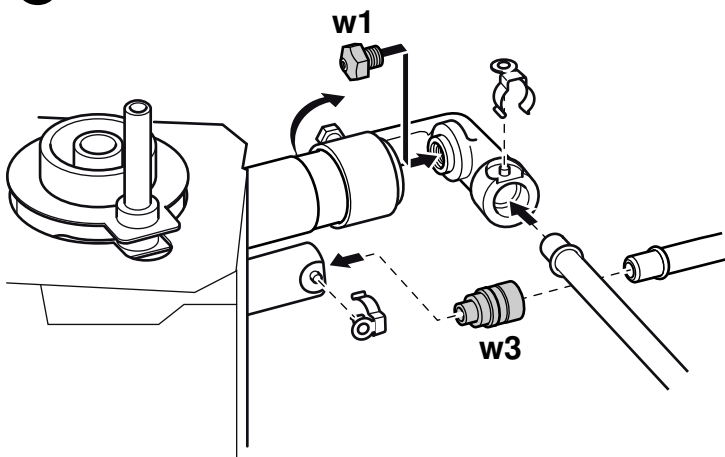
8



9



10



Important notes

Read these instructions carefully and keep them in a safe place. Safety during use can only be ensured if the appliance is fitted correctly according to these installation instructions. The installer is responsible for ensuring that the appliance operates perfectly at the point of installation.

The appliance must be connected to the mains only by a licensed and trained technician.

Before carrying out any type of work, turn off the electricity and gas supply.

For installation, currently applicable building regulations and the regulations of local electricity and gas suppliers must be observed.

For conversion to another type of gas, please call the after-sales service.

⚠ Risk of gas escape!

After connecting the appliance to the gas supply, always check the connection for leak tightness. The manufacturer accepts no responsibility for the escape of gas from a gas connection which has been previously tampered with.

⚠ Risk of injury!

Parts that are accessible during installation may have sharp edges. Wear protective gloves.

Ensure sufficient air exchange in the room where the appliance is installed. Up to 11 kW total output:

- Minimum volume of the room where appliance is installed: 20 m³
- A door leading to the open air or a window which can be opened.

Up to 18 kW total output:

- Minimum volume of the room where appliance is installed: 2 m³ per kW total output.
- A door leading to the open air or a window which can be opened.
- An extraction hood into the open air. Minimum displacement volume of extraction hood: 15 m³/h per kW total output.

For this appliance: 36 m³ / approx. 270 m³/h

The installation system must incorporate an all-pin isolating switch with a contact opening of at least 3 mm, or the appliance should be connected to the mains via a safety plug. The plug must remain accessible after installation is complete.

Specifications on the rating plate showing voltage, type of gas and gas pressure must agree with the local mains connection conditions.

Do not kink or trap the mains connection cable.

This appliance corresponds to appliance class 3 (for installation in a kitchen unit). It must be fitted according to the installation drawing. The wall behind the appliance must be made of non-flammable material.

This appliance is not intended for operation with an external timer or an external remote control.

Do not install this appliance on boats or in vehicles.

Fitting the appliance

The surrounding kitchen units must be heat-resistant up to 90 °C. The surrounding kitchen units must retain their stability after the cut-out work is complete.

Installation in a 90 cm wide lower cabinet is required. The cut-out in the countertop will be slightly wider than the inner width of the base cabinet.

Air intake from above. No intermediate shelf required.

Rear panel and wall trims must be heat-resistant and consist of a non-flammable material.

A minimum clearance of at least 300 mm from adjacent heatsensitive furniture or contact surfaces must be observed or thermal insulation fitted.

A minimum clearance between the individual niche of at least 50 mm is recommended when VG 295 is fitted onto other appliances in the Vario cooktops 200 series.

Cooktop clamping range: 30 - 50 mm.

1. Cut out an opening in the work surface according to the installation drawing. Check the minimum clearance from the rear wall and the sides of kitchen units. Seal the edges of the cut-out. (**fig. 1**)
2. Turn the clamp fasteners to the side. Place the gas hob into the cut-out and align it evenly.
3. Tighten all clamp fasteners evenly. Check that the whole frame lies evenly flat on the countertop. (**fig. 4**)
4. Fit the burner rings, burner lids and pan supports.
5. Connect the appliance to the gas and electricity supply. The appliance is not operable without powersupply.
6. Test the appliance for correct functioning. There might be an air pocket in the gas supply line if the appliance switches off and the indicator lights flash. Turn all control knobs off and switch on again.

Note: Fasten the hob in the work surface with all of the clamp fasteners provided. This is the only way to ensure correct installation.

Gas connection

The gas connection must be arranged in such a way that the shut-off valve is accessible.

The appliance comes with two connection elbows (appliance-side G¹/₂"). Select the suitable version depending on the country:

- ISO 228 G 1/2 cylindrical
- EN 10226 R 1/2 conical

Use one of the supplied connection elbows and the corresponding seal to connect the appliance to a fixed connecting cable or a gas safety hose.

If the gas safety hose is not made of metal or is only partially made of metal, the ambient temperature must not exceed 90 °C. If the gas safety hose is made of metal, the permissible ambient temperature is 115 °C.

Route the gas safety hose in such a way that it does not come into contact with the moving parts of the fitted units (e.g. drawer).

Electrical connection

Check that the appliance has the same voltage and frequency as the electrical installation system.

The hob is delivered with a mains cable, with or without plug, depending on model.

Only connect the appliance to sockets which have been fitted and earthed according to regulations.

The appliance corresponds to type Y: the mains connection cable must only be replaced by the after-sales service. Check the cable type and minimum cross section.

Technical data / nozzle table

Total connected load natural gas 18 kW

Total connected load bottled gas (LPG) 17 kW

Total connected load electric 25 VA

Conversion to another type of gas

This gas hob corresponds to the categories specified on the rating plate. It is possible to convert the appliance to any of the gases listed on the plate by changing the nozzles. The modification kit can be ordered via our after-sales service. Depending on the model the parts required may be included in the scope of delivery. The conversion must be carried out by a licensed and trained technician.

Before carrying out the conversion, turn off the electricity and gas supply.

Replacing the small control jets (fig. 8)

1. Remove the pan support and all burner parts.
2. Detach the control knob. Loosen the fastening nuts on the hob (three nuts on each burner, WAF 7) and carefully lift the hob upwards to remove it.
3. The small control jets are located in the gas valve and are screwed in from above. Turn the black plastic parts so that the opening is above the relevant jet. Unscrew the jet and remove it using small pliers.
4. Screw in the new small control jets as far as they will go in accordance with the jet table.

Replacing the main control jets for standard and high output burners (fig. 9)

1. Remove the safety clips on the burner lines. Remove the burner lines. The electrode can remain connected. Unscrew the burner (Torx T20) and remove from the burner lines.
2. Remove the jets from the burner lines by hand, remove the O-ring.
3. Check that the O-rings are positioned correctly in the new main control jets. Push the jets onto the burner lines. When doing this, do not bend the burner lines.
4. Refit the burner on the burner lines. Refit the safety clips. Screw the burners in place.
5. Adjust the air-regulating tube of the outer burner to the correct size after loosening the screw (see jet table - L1). Retighten the screw.
6. Adjust the air-regulating tube of the inner burner to the correct size by turning or moving it (see jet table - L2).

Replacing the wok burner main control jets (fig. 10)

1. Remove the safety clips on the burner lines. Remove the burner lines. Loosen the screw on the air-regulating tube. Remove the jet holder.
2. Remove the jet and the O-ring for the inner ring of the burner by hand. Unscrew the jet for the outer ring of the burner (WAF 10).
3. Check that the O-ring is positioned correctly in the new main control jet for the inner ring of the burner. Push the jet onto the burner line. Screw the new main control jet for the outer ring of the burner into the jet holder as far as it will go.
4. Refit the jet holder and the burner lines. Refit the safety clips.
5. Adjust the air-regulating tube to the correct size after loosening the screw (see jet table). Retighten the screw.
6. Replace the hob and screw it in place evenly. Refit the control knob. Replace the burner parts and the pan support, ensuring that they are positioned correctly.

If it is necessary to adjust the small control jets for different types of gas and pressures, the flow rate can be increased by turning the jets to the left.

The primary air must not be adjusted for these burners.

Checking functions after the conversion:

The flames are adjusted correctly if no yellow tips are visible and if they do not go out when switching over swiftly from the high to the low setting.

Note: stick the adhesive label included with the nozzle set over the rating plate of the appliance to document the changeover to a different gas type.

重要说明

请认真阅读本安装说明并保存在安全的地方。只有按照安装说明正确安装电器，才能保证使用安全。安装工负责确保电器在安装位置上正常工作。

只有经过培训并持有上岗证书的专业人员才能将电器连接到电源。在进行任何类型的作业前，切断电源和气源。

安装时，必须遵循现行建筑条例和当地电力和燃气公司规定。

如要改接其他燃气类型，请致电售后服务部门。

△ 有燃气泄漏危险！

在将电器连接至气源之后，一定要检查接头是否拧紧无泄漏。制造商对于因擅自改动接头而导致的燃气泄漏不承担责任。

确保安装电器的房间内有充足的换气。总输出功率最高达 11 kW：

- 安装电器的房间的最小容积：20 m³
- 有通向室外的门或可以打开的窗户。

总输出功率最高达 18 kW：

- 安装电器的房间的最小容积：每千瓦总输出功率 2 m³。
- 有通向室外的门或可以打开的窗户。
- 有通向室外的抽油烟机。抽油烟机的最小排风量：每千瓦总输出功率 15 m³/h。

对于此电器：36 m³ / 约 270 m³/h

安装系统必须采用触点间隙最小为 3 mm 的全针隔离开关，或者将电器通过安全插头连接至电源。安装完成之后，插座必须仍然便于使用。

铭牌上的电压、燃气类型和燃气压力规格必须与当地电源、气源连接条件相符。

请勿缠绕或扭曲电源线。

本电器属于三类电器（适合安装在橱柜中）。必须按照安装图纸进行安装。电器后面的壁面必须由非易燃材料制成。

本电器不适合用外部定时器或外部遥控器操作。

不要将本电器安装在船上或车辆中。

安装电器

周围橱柜的耐热能力必须至少达 90 °C。在完成切割后，周围的橱柜必须保持自身的稳定。

需要安装在 90 cm 宽的矮柜中。工作台面中的安装槽将比底柜的内部宽度稍宽。

空气从上方进入。不需要中间搁架。

后面板和墙壁饰物必须耐热并使用非易燃材料。

与相邻热敏感家具或接触表面必须至少保持 300 mm 最小距离或安装绝热物质。

在将 VG 295 安装到 Vario 200 系列灶具中的其他电器上时，建议各个橱柜之间至少保持 50 mm 的最小间隙。

灶具夹紧范围：30 - 50 mm。

1. 按照安装图在工作表面上切出开口。检查距离后壁和橱柜侧面的最小距离。密封开孔的边缘。（图 1）
2. 将紧固夹转向一侧。将燃气灶放入开孔内并均匀对齐。
3. 均匀拧紧所有紧固夹。检查整个框架是否均匀平放在工作台上。（图 4）
4. 安装外火圈火盖、燃烧头盖和锅架。
5. 将电器连接至气源和电源。电源断开时电器不工作。
6. 测试电器是否正常工作。如果电器关断且指示灯闪烁，气源管路中可能存在气穴。关断所有控制旋钮，然后再次打开。

提示：将灶具使用随附的紧固夹固定到工作台上。这是确保正确安装的唯一方式。

燃气连接

必须以此种方式排列燃气连接才能方便地操作切断阀。

电器随附 2 个连接弯头（电器侧方 G $\frac{1}{2}$ 处）。根据不同的国家选择合适的型号：

- ISO 228 G 1/2 圆柱螺纹
- EN 10226 R 1/2 锥管螺纹

使用其中一种提供的连接弯头和相应的密封件将电器连接到固定连接线缆或燃气安全软管。

如果燃气安全软管不是（或仅部分）由金属制成，则环境温度不得超过 90 °C。如果燃气安全软管完全由金属制成，则允许的环境温度为 115 °C。

以这种方式布置燃气安全软管，以便其不会与安装的橱柜的活动部件相接触（例如抽屉）。

电气连接

检查并确认电器的电压和频率与电气安装系统一致。

根据型号，电器在交货时带有电源线，带或不带插头。

只能将电器连接至按照规定安装和接地的插座上。

本电器属于 Y 型：电源线只能由售后服务部门进行更换。请查看电源线类型和最小横截面积。

技术参数 / 喷嘴表

天然气连接的总负载 18 kW

燃气罐 (LPG) 连接的总负载 17 kW

电连接的总负载 25 VA

改装为另一种燃气

本燃气灶符合铭牌上规定的类别。通过更换喷嘴，可以将电器改装为铭牌上列出的任何燃气类型。可以从售后服务部门订购改装套件。根据型号，所需零件可能包含在供货范围内。

改装必须由经过培训的持证上岗的技术人员进行。

在进行改装前，切断电源和气源。

更换小型调节喷嘴 (图 8)

1. 取下锅架和所有燃烧器零件。
2. 拆下控制旋钮。松开电器上的紧固螺丝（每个燃烧器上各有 3 个螺丝，WAF 7），小心向上提起电器，拆下。
3. 将小型控制喷嘴安装在燃气阀上，并从上方拧紧。旋转黑色塑料零件，使其开口位于相应的喷嘴上方。旋松喷嘴，并用小型钳子拆下。
4. 按照喷嘴表的要求，拧入新的小型调节喷嘴，尽量拧紧。

更换适用于标准或大功率燃烧器的主喷嘴 (图 9)

1. 拆下燃烧器管线上的安全夹。拆下燃烧器管线。电极可仍然保持连接。旋松燃烧器 (Torx T20)，并从燃烧器管线上拆下。
2. 从燃烧器管线上手动拆下喷嘴及 O 型环。
3. 检查 O 型环是否安装到新主喷嘴的正确位置上。将喷嘴推到燃烧器管线上。在此过程中，切勿弯折燃烧器管线。
4. 重新将燃烧器安装到燃烧器管线上。重新安装安全夹。将燃烧器拧紧到位。
5. 在松开螺钉后，将外燃烧器的空气调节管路调整到正确的尺寸（参见喷嘴表 - L1）。重新拧紧螺丝。
6. 旋转或移动内燃烧器的空气调节器，使其调节到正确的尺寸（参见喷嘴表 - L2）

更换炒锅燃烧器的主喷嘴 (图 10)

1. 拆下燃烧器管线上的安全夹。拆下燃烧器管线。松开空气调节管路上的螺钉。拆下喷嘴座。
2. 手动拆下燃烧器内火圈的喷嘴及 O 型环。旋松燃烧器外火圈喷嘴 (WAF 10)。
3. 检查 O 型环是否安装到燃烧器内火圈新主喷嘴的正确位置。将喷嘴推到燃烧器管线上。将燃烧器外火圈的新主喷嘴拧到喷嘴座内，并拧到底。
4. 重新安装喷嘴座和燃烧器管线。重新安装安全夹。
5. 在松开螺钉后，将空气调节管路调整到正确的尺寸（参见喷嘴表）。重新拧紧螺丝。
6. 装回灶具，均匀旋紧螺丝，使灶具固定到位。重新安装控制旋钮。更换燃烧器零件及锅架，确保安装到正确位置。

如果必须根据不同的燃气及压力调整小型调节喷嘴，可向左旋转喷嘴，增大流速。

不可调节燃烧器的主空气。

检查改装后的功能：

如果看不见黄色火苗，且从大火设置快速切换至小火设置时火焰不熄灭，则火焰调整正确。

提示：将随喷嘴套件提供的不干胶标签贴在电器铭牌上，以记录已改装为不同燃气类型。

