

**Gaggenau**

Instruction manual

Instrucciones de uso

Instruções de serviço

Οδηγίες χρήσεω

# **AW 442**

Extractor hood

Campana extractora

Exaustor

Απορροφητήρας

<b>Table of contents</b>	<b>3</b>
<b>Índice</b>	<b>14</b>
<b>Índice</b>	<b>25</b>
<b>Πίνακας περιεχομένων</b>	<b>36</b>

---

## Table of contents

---

<b>Important safety information</b>	<b>4</b>
<b>Environmental protection</b>	<b>6</b>
Saving energy	6
Environmentally-friendly disposal	6
<b>Operating modes</b>	<b>7</b>
Exhaust air mode	7
Air recirculation	7
<b>Operating the appliance</b>	<b>7</b>
Operating the appliance	7
Setting the fan	7
Intensive setting	8
Automatic mode	8
Sensor control	8
Saturation display	8
Lighting	8
Safety shut-off	8
<b>Cleaning and maintenance</b>	<b>9</b>
<b>Trouble shooting</b>	<b>12</b>
<b>After-sales service</b>	<b>13</b>

Additional information on products, accessories, replacement parts and services can be found at [www.gaggenau.com](http://www.gaggenau.com) and in the online shop [www.gaggenau-eshop.com](http://www.gaggenau-eshop.com)

## ⚠ Important safety information

Read these instructions carefully. Only then will you be able to operate your appliance safely and correctly. Retain the instruction manual and installation instructions for future use or for subsequent owners.

The appliance can only be used safely if it is correctly installed according to the safety instructions. The installer is responsible for ensuring that the appliance works perfectly at its installation location.

This appliance is intended for domestic use and the household environment only. The appliance is not intended for use outside. Do not leave the appliance unattended during operation. The manufacturer is not liable for damage which is caused by improper use or incorrect operation.

This appliance is intended for use up to a maximum height of 2000 metres above sea level.

This appliance may be used by children over the age of 8 years old and by persons with reduced physical, sensory or mental capabilities or by persons with a lack of experience or knowledge if they are supervised or are instructed by a person responsible for their safety how to use the appliance safely and have understood the associated hazards.

Children must not play with, on, or around the appliance. Children must not clean the appliance or carry out general maintenance unless they are at least 8 years old and are being supervised.

Keep children below the age of 8 years old at a safe distance from the appliance and power cable.

Check the appliance for damage after unpacking it. Do not connect the appliance if it has been damaged in transport.

This appliance is not intended for operation with an external clock timer or a remote control.

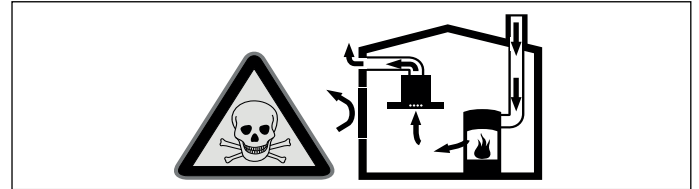
### **Danger of suffocation!**

Packaging material is dangerous to children. Never allow children to play with packaging material.

### **Danger of death!**

Risk of poisoning from flue gases that are drawn back in.

Always ensure adequate fresh air in the room if the appliance is being operated in exhaust air mode at the same time as room air-dependent heat-producing appliance is being operated.

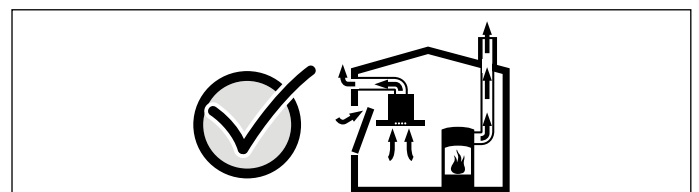


Room air-dependent heat-producing appliances (e.g. gas, oil, wood or coal-operated heaters, continuous flow heaters or water heaters) obtain combustion air from the room in which they are installed and discharge the exhaust gases into the open air through an exhaust gas system (e.g. a chimney).

In combination with an activated vapour extractor hood, room air is extracted from the kitchen and neighbouring rooms - a partial vacuum is produced if not enough fresh air is supplied. Toxic gases from the chimney or the extraction shaft are sucked back into the living space.

- Adequate incoming air must therefore always be ensured.
- An incoming/exhaust air wall box alone will not ensure compliance with the limit.

Safe operation is possible only when the partial vacuum in the place where the heat-producing appliance is installed does not exceed 4 Pa (0.04 mbar). This can be achieved when the air needed for combustion is able to enter through openings that cannot be sealed, for example in doors, windows, incoming/exhaust air wall boxes or by other technical means.



In any case, consult your responsible Master Chimney Sweep. He is able to assess the house's entire ventilation setup and will suggest the suitable ventilation measures to you.

Unrestricted operation is possible if the vapour extractor hood is operated exclusively in the circulating-air mode.

### **Risk of fire!**

- Grease deposits in the grease filter may catch fire.

**Clean the grease filter at least every 2 months.**

Never operate the appliance without the grease filter.

- Grease deposits in the grease filter may catch fire. Never work with naked flames close to the appliance (e.g. flambéing). Do not install the appliance near a heat-producing appliance for solid fuel (e.g. wood or coal) unless a closed, non-removable cover is available. There must be no flying sparks.
- Hot oil and fat can ignite very quickly. Never leave hot fat or oil unattended. Never use water to put out burning oil or fat. Switch off the hotplate. Extinguish flames carefully using a lid, fire blanket or something similar.
- When gas burners are in operation without any cookware placed on them, they can build up a lot of heat. A ventilation appliance installed above the cooker may become damaged or catch fire. Only operate the gas burners with cookware on them.
- Operating several gas burners at the same time gives rise to a great deal of heat. The ventilation appliance may become damaged or catch fire. The ventilation appliance must only be combined with gas burners that do not exceed the maximum total output of 18 kW. If the total output exceeds 12 kW, the local regulations regarding room ventilation, room size and the combination of ventilation appliances with recirculation or circulated air mode must be observed.

### **Risk of burns!**

The accessible parts become very hot when in operation. Never touch hot parts. Keep children at a safe distance.

### **Risk of injury!**

- Edges of the appliance at head height. Be careful not to hit your head against the appliance. Make sure that you allow sufficient headroom when cooking.
- Components inside the appliance may have sharp edges. Wear protective gloves.
- Items placed on the appliance may fall down. Do not place any objects on the appliance.
- The light emitted by LED lights is very dazzling, and can damage the eyes (risk group 1). Do not look directly into the switched on LED lights for longer than 100 seconds.

### **Risk of electric shock!**

- A defective appliance may cause electric shock. Never switch on a defective appliance. Unplug the appliance from the mains or switch off the circuit breaker in the fuse box. Contact the after-sales service.
- Incorrect repairs are dangerous. Repairs may only be carried out and damaged power cables replaced by one of our trained after-sales technicians. If the appliance is defective, unplug the appliance from the mains or switch off the circuit breaker in the fuse box. Contact the after-sales service.
- Do not use any high-pressure cleaners or steam cleaners, which can result in an electric shock.

## Causes of damage

### Caution!

Risk of damage due to corrosion. Always switch on the appliance while cooking to avoid condensation. Condensate can produce corrosion damage.

Risk of damage due to ingress of humidity into the electronic circuitry. Never clean operator controls with a wet cloth.

Surface damage due to incorrect cleaning. Clean stainless steel surfaces in the direction of the grain only. Do not use any stainless steel cleaners for operator controls.

Surface damage due to strong or abrasive cleaning agents. Never use strong and abrasive cleaning agents.

Risk of damage from returning condensate. Install the exhaust duct in such a way that it falls away from the appliance slightly (1° slope).

---

## Environmental protection

---

Your new appliance is particularly energy-efficient. Here you can find tips on how to save even more energy when using the appliance, and how to dispose of your appliance properly.

### Saving energy

- Only switch the ventilation on when necessary. You do not need to switch the ventilation on when cooking something for a short time that does not have a strong smell.
- Select a fan setting according to what you are cooking.
- Switch the ventilation off again after cooking.
- Cleaning the grease filter regularly will increase the efficiency of the ventilation.
- Switch the lighting on the appliance off if you are not using it.

### Environmentally-friendly disposal

Dispose of packaging in an environmentally-friendly manner.



This appliance is labelled in accordance with European Directive 2012/19/EU concerning used electrical and electronic appliances (waste electrical and electronic equipment - WEEE). The guideline determines the framework for the return and recycling of used appliances as applicable throughout the EU.

## Operating modes

This appliance can be used in exhaust-air mode or circulating-air mode.

### Exhaust air mode



The air which is drawn in is cleaned by the grease filters and conveyed to the exterior by a pipe system.

**Note:** The exhaust air must not be conveyed into a functioning smoke or exhaust gas flue or into a shaft which is used to ventilate installation rooms which contain heating appliances.

- Before conveying the exhaust air into a non-functioning smoke or exhaust gas flue, obtain the consent of the heating engineer responsible.
- If the exhaust air is conveyed through the outer wall, a telescopic wall box should be used.

### Air recirculation



The air which is drawn in is cleaned by the grease filters and an activated carbon filter, and is conveyed back into the kitchen.

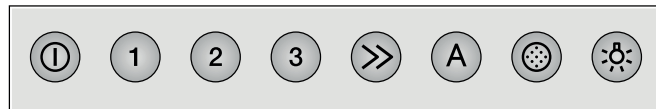
**Note:** To bind odours in air recirculation mode, you must install an activated carbon filter. The different options for operating the appliance in air recirculation mode can be found in the brochure. Alternatively, ask your dealer. The required accessories are available from specialist retailers, from customer service or from the Online Shop.

## Operating the appliance

**Note:** Switch on the extractor hood when you start cooking and switch it off again several minutes after you have finished cooking. This is the most effective way of removing the kitchen fumes.

## Operating the appliance

### Control panel



### Explanation

ⓘ	Fan on/off
1	Fan speed 1
2	Fan speed 2
3	Fan speed 3
>>	Intensive setting
A	Automatic mode
⦿	Saturation indicator
💡	Light on/off/dimming

## Setting the fan

**Note:** Always adjust the fan strength to meet current conditions. If there is a large build-up of steam or fumes, select a high fan setting.

### Switching on

- 1 Press the ⓘ button.  
The fan starts at setting 2.
- 2 Press the 1, 2, 3 or >> button to set the corresponding fan setting.



### Switching off

Press the ⓘ button.

## Intensive setting


You can use the intensive setting if there is a large build-up of odours and fumes/vapours.

### Switching on

- 1 Press the  button.  
The fan starts at setting 2.
- 2 Press the  button.  
Intensive mode is activated.

**Note:** Intensive mode runs for six minutes. Once this time has elapsed, the appliance switches back to the previously selected fan setting.



### Switching off

Press the  button or the button for another fan setting.

Intensive mode is deactivated.

## Automatic mode

### Switching on

- 1 Press the  button.  
The fan starts in fan setting 2.
- 2 Press the  button.  
The optimum fan setting 1, 2 or 3 is set automatically by a sensor.

### Switching off

Press the  or  button.

Automatic mode is switched off.

The fan switches off automatically if the air quality in the room exceeds a certain level. Automatic mode can run for a maximum of four hours.

## Sensor control

In automatic mode, a sensor in the extractor hood detects the intensity of the cooking and roasting fumes. Depending on the setting of the sensor, the fan automatically switches to another fan speed.



Default sensitivity setting: 2

Lowest sensitivity setting: 1

Highest sensitivity setting: 4

## Changing the sensitivity of the sensor


If the sensor control reacts too quickly or too slowly, change the sensitivity setting.


- 1 When the fan is switched off, press and hold the  button for approx. 4 seconds.  
The setting is displayed.
- 2 Press button 1, 2, 3 or the  button to change the sensitivity setting.

Button 1 = Sensitivity 1


Button 2 = Sensitivity 2

Button 3 = Sensitivity 3

 button = Sensitivity 4

- 3 Press and hold the  button for approx. 4 seconds.  
The change is saved.

## Saturation display

If the metal grease filters are saturated, the  button flashes.

If you have not yet done so, the metal grease filters should be cleaned now.

For instructions on how to clean the metal grease filters, please refer to the Cleaning and maintenance section.


### Resetting the saturation indicator

Press the  button.


## Lighting

The lighting can be switched on and off independently of the ventilation system.

### Switching on or off

Press the  button.

### Setting the brightness

Press and hold the  button until the desired brightness is reached.

## Safety shut-off

For your safety, the appliance has a safety shut-off function. The lighting switches off after 12 hours and the fan after 4 hours if the appliance is not operated during this time.



---

## Cleaning and maintenance

---

### Risk of burns!

The appliance becomes hot during operation. Allow the appliance to cool down before cleaning.

### Risk of electric shock!

Penetrating moisture may result in an electric shock. Clean the appliance using a damp cloth only. Before cleaning, pull out the mains plug or switch off the circuit breaker in the fuse box.

### Risk of electric shock!

Do not use any high-pressure cleaners or steam cleaners, which can result in an electric shock.

### Risk of injury!

Components inside the appliance may have sharp edges. Wear protective gloves.

## Cleaning agents

Observe the information in the table to ensure that the different surfaces are not damaged by using the wrong type of cleaning agent. Do not use

- harsh or abrasive cleaning agents,
- cleaning agents with a high concentration of alcohol,
- hard scouring pads or sponges,
- high-pressure cleaners or steam cleaners.

Wash new sponge cloths thoroughly before use.

Follow all instructions and warnings included with the cleaning agents.

Area	Cleaning agents
Stainless steel	Hot soapy water: Clean with a dish cloth and dry with a soft cloth.  Clean stainless steel surfaces in the direction of the grain only.  Special stainless steel cleaning products are available from our after-sales service or from specialist retailers. Apply a very thin layer of the cleaning product with a soft cloth.
Aluminium and plastic	Glass cleaner: Clean with a soft cloth.
Glass	Glass cleaner: Clean with a soft cloth. Do not use a glass scraper.
Operating controls	Hot soapy water: Clean using a damp dish cloth and dry with a soft cloth.  Risk of damage to the electronics from penetrating moisture. Never clean operator controls with a wet cloth.  Do not use any stainless steel cleaners.

### **Degreaser (product no. 00311297)**

Intensive degreaser for effectively removing grease deposits in the extractor hood. Ideal for pre-treating metal grease filters.

### **Stainless steel care cloths (product no. 00311134)**

Used to care for stainless steel surfaces. Impregnated with special oil to prevent the accumulation of dirt and fingerprints.

## Removing metal grease filter

### Risk of injury!

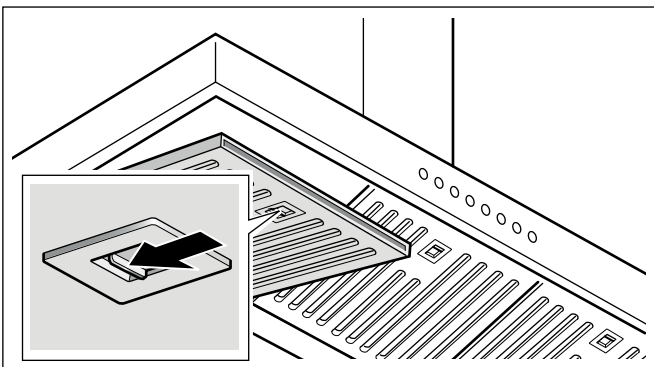
The metal grease filters and components inside the appliance may have sharp edges. Wear protective gloves.

### Risk of injury!

The metal grease filters are very heavy. Remove the metal grease filters carefully and secure them against falling down when doing so.

The metal grease filter consists of three components. You can take the metal grease filters apart to facilitate cleaning.

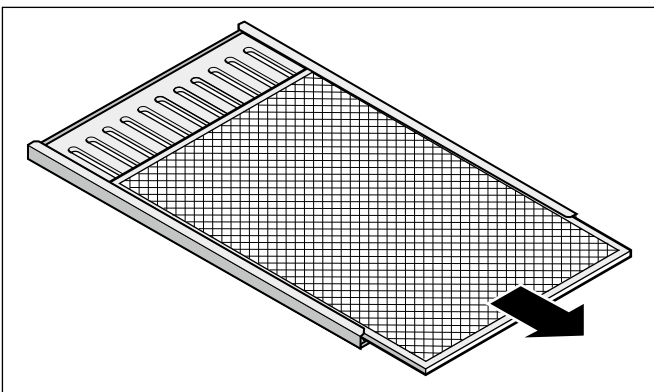
- 1 Open the lock and fold the metal grease filter downwards. For safety reasons, the metal grease filter is locked in place at the rear edge.



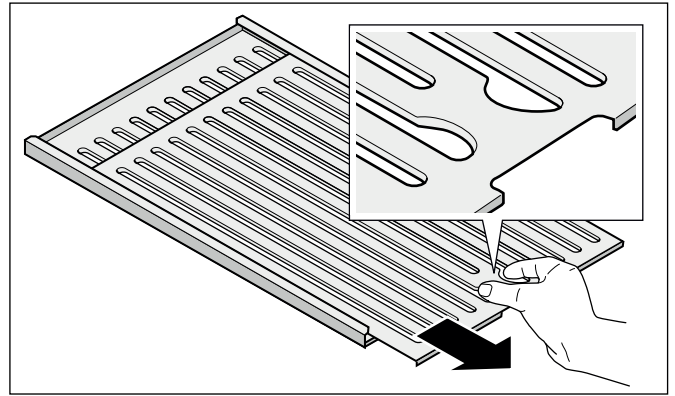
- 2 Slightly lift the front edge of the metal grease filter until it can be removed from the holder.

**Note:** Grease may accumulate in the bottom of the metal grease filter. Hold the metal grease filter level to prevent fat from dripping out.

- 3 Remove the metal mesh filter.



- 4 Pull the two parts of the filter apart, using the recessed grip to help you do this.



- 5 Clean the metal grease filter.
- 6 Clean the appliance from the inside.

## Cleaning the metal mesh grease filters

### Risk of fire!

Grease deposits in the grease filter may catch fire. **Clean the grease filter at least every 2 months.** Never operate the appliance without the grease filter.

#### Notes

- Do not use any aggressive, acidic or alkaline cleaning agents.
- When cleaning the metal mesh grease filters, also clean the holder for the metal mesh grease filters in the appliance using a damp cloth.
- The metal mesh grease filters can be cleaned in the dishwasher or by hand.

#### In the dishwasher:

**Note:** Slight discolouration may occur if the metal grease filters are cleaned in the dishwasher. This has no effect on the function of the metal grease filters.

- Do not clean heavily soiled metal grease filters together with utensils.
- Remove any heavy soiling first by hand.
- Place the metal grease filters in the dishwasher leaving plenty of space around them. The metal grease filters must not be wedged in.

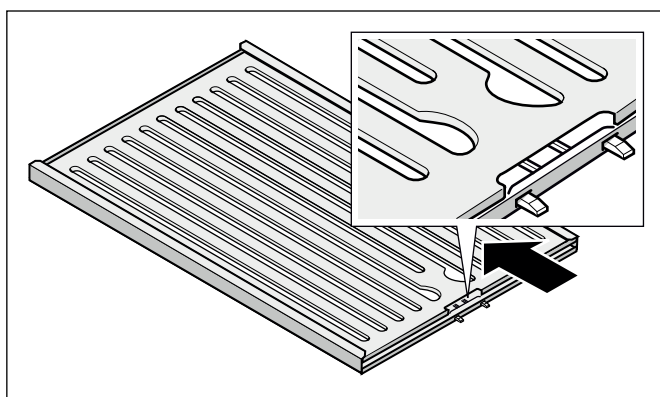
### By hand:

- Soak the metal grease filters in hot soapy water.
- Clean the filters with a brush and then rinse them thoroughly.
- Leave the metal grease filters to drain.

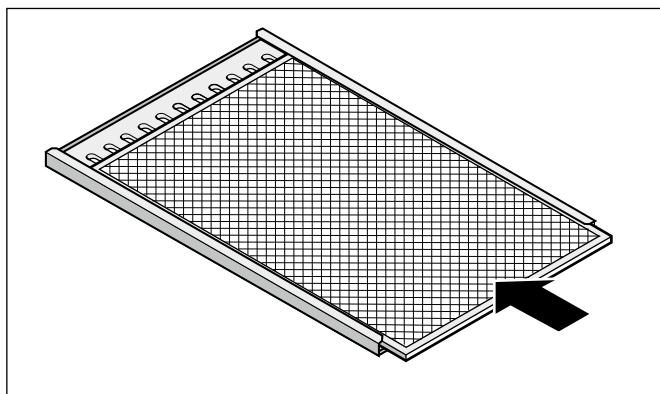
**Note:** You can use a special degreaser to remove stubborn dirt. This can be ordered via the online shop (product no. 00311297). Spray the dirty metal grease filters with the degreaser and leave it to work for up to five minutes. Then rinse thoroughly. Observe the instructions for use supplied with the cleaning product.

## Installing the metal mesh grease filter

- 1 Push the two parts of the filter back together. Ensure that the opening on the edge is in the correct place.



- 2 Push the metal mesh filter in completely.



- 3 With the lock facing towards the front, place the metal grease filter in the underside of the appliance and engage the lock.

**Note:** When pushing the filter in, make sure the lock engages. Otherwise, the metal grease filter can fall and damage the cooktop.

- 4 Press the  button. The saturation indicator is reset.

## Changing the activated charcoal filter (only in circulating-air mode)

### Risk of injury!

Risk of falling while changing filter. Use a stable stepladder.

To guarantee the degree of odour removal, you must change the activated charcoal filter regularly.

In the case of limited or occasional use: Change the activated charcoal filter after 18 months at the latest or if odours are present in the emergent air.

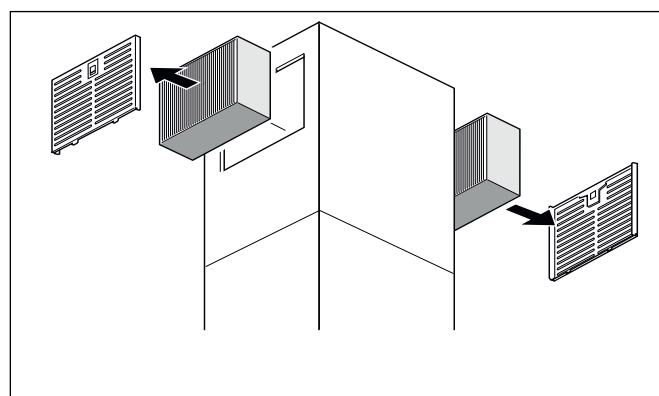
In the case of daily or heavy use: Change the activated charcoal filter after 12 months at the latest or if odours are present in the emergent air.

### Notes

- The activated charcoal filters are included in the scope of supply for the AA 442 810 recirculating-air set. Additional activated charcoal filters can be obtained through specialist retailers, after-sales service, or the online shop using the part number AA 442 110 (pack of two filters).
- Always change both activated charcoal filters.
- The activated charcoal filters cannot be cleaned or activated again.
- Dispose of used active charcoal filters with your household waste.

### Proceed as follows:

- 1 Open the lock on both protective grids and remove the protective grids.
- 2 Remove the old activated charcoal filter.



- 3 Insert the new activated charcoal filters.
- 4 Insert the protective grids.

---

## Trouble shooting

---

Malfunctions often have simple explanations. Please read the following notes before calling the after-sales service.

### Risk of electric shock!

Incorrect repairs are dangerous. Repairs may only be carried out and damaged power cables replaced by one of our trained after-sales technicians. If the appliance is defective, unplug the appliance from the mains or switch off the circuit breaker in the fuse box. Contact the after-sales service.


### Risk of injury!

The light emitted by LED lights is very dazzling, and can damage the eyes (risk group 1). Do not look directly into the switched on LED lights for longer than 100 seconds.

### LED lights

Defective LED lights must only be replaced by the manufacturer, their customer service department or a licensed technician (electrician).

## Fault table

Disruption	Possible cause	Solution
The appliance does not work	The plug is not plugged into the mains	Connect the appliance to the electricity supply
	Power failure	Check whether other kitchen appliances are working
	Faulty fuse	Check in the fuse box to make sure that the fuse for the appliance is OK
The appliance is not working, all the buttons are flashing	The network-cable plug is not plugged into the mains	Check that the network cables of all the appliances are connected
	The circuit breaker is faulty	Look in the fuse box and check that the circuit breakers for all the appliances are in working order
	One of the components in the appliance has broken	Call the after-sales service
The appliance is not working	If the appliance is in operation for more than four hours, the safety switch-off function is activated	Switch the appliance on again
The button illumination does not work	The control unit is faulty	Call the after-sales service
The lighting is not working	The lighting is defective	Call the after-sales service
The  button flashes	The metal filter is saturated	Clean the filter, see the <i>Cleaning and maintenance</i> section

---

## After-sales service

---

Our after-sales service is there for you if your appliance needs to be repaired. We will always find an appropriate solution in order to avoid unnecessary visits by engineers.

When calling us, please give the product number (E no.) and the production number (FD no.) so that we can provide you with the correct advice. The rating plate bearing these numbers can be found on the appliance.

To save time, you can make a note of the number of your appliance and the telephone number of the after-sales service in the space below, should it be required.

---

E no.	FD no.
-------	--------

---

---

**After-sales service** 

---

Please note that a visit from an after-sales service engineer is not free of charge, even during the warranty period.

Please find the contact data of all countries in the enclosed customer service list.

### To book an engineer visit and product advice

**GB** 0344 892 8988

Calls charged at local or mobile rate.

**IE** 01450 2655

0.03 € per minute at peak. Off peak 0.0088 € per minute.

**AU** 1300 368 339

**NZ** 09 477 0492

Trust the expertise of the manufacturer, and rest assured that the repair will be carried out by trained service technicians using original spare parts for your domestic appliance.

---

## Índice

---

<b>Indicaciones de seguridad importantes</b>	<b>15</b>
<b>Protección del medio ambiente</b>	<b>17</b>
Ahorro de energía	17
Eliminación de residuos respetuosa con el medio ambiente	17
<b>Modos de funcionamiento</b>	<b>18</b>
Funcionamiento en salida de aire al exterior	18
Funcionamiento con recirculación de aire	18
<b>Manejar el aparato</b>	<b>18</b>
Manejar el aparato	18
Ajustar el ventilador	18
Nivel intensivo	19
Funcionamiento automático	19
Control del sensor	19
Indicador de saturación	19
Iluminación	19
Desconexión de seguridad	19
<b>Limpieza y mantenimiento</b>	<b>20</b>
<b>¿Anomalías - como reaccionar?</b>	<b>23</b>
<b>Servicio de atención al cliente</b>	<b>24</b>

Encontrará más información sobre productos, accesorios, piezas de repuesto y servicios en internet: [www.gaggenau.com](http://www.gaggenau.com) y también en la tienda online: [www.gaggenau-eshop.com](http://www.gaggenau-eshop.com)

## ⚠ Indicaciones de seguridad importantes

Leer con atención las siguientes instrucciones. Solo así se puede manejar el aparato de forma correcta y segura. Conservar las instrucciones de uso y montaje para utilizarlas más adelante o para posibles futuros compradores.

Solamente un montaje profesional conforme a las instrucciones de montaje puede garantizar un uso seguro del aparato. El instalador es responsable del funcionamiento perfecto en el lugar de instalación.

Este aparato ha sido diseñado para uso doméstico. Este aparato no puede usarse en exteriores. Vigilarlo mientras está funcionando. El fabricante no asume ninguna responsabilidad en caso de daños derivados de un uso indebido o un manejo incorrecto.

Este aparato está previsto para ser utilizado a una altura máxima de 2.000 metros sobre el nivel del mar.

Este aparato puede ser utilizado por niños a partir de 8 años y por personas con limitaciones físicas, sensoriales o psíquicas, o que carezcan de experiencia y conocimientos, siempre y cuando sea bajo la supervisión de una persona responsable de su seguridad o que le haya instruido en el uso correcto del aparato siendo consciente de los daños que se pudieran ocasionar.

No dejar que los niños jueguen con el aparato. La limpieza y el mantenimiento rutinario no deben encomendarse a los niños a menos que sean mayores de 8 años y lo hagan bajo supervisión.

Mantener los niños menores de 8 años alejados del aparato y del cable de conexión.

Comprobar el aparato al sacarlo de su embalaje. El aparato no debe conectarse en caso de haber sufrido daños durante el transporte.

Este aparato no está previsto para el funcionamiento con un reloj temporizador externo o un mando a distancia.

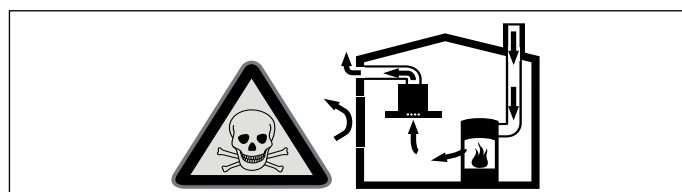
### ¡Peligro de asfixia!

El material de embalaje es peligroso para los niños. No dejar que los niños jueguen con el material de embalaje.

### ¡Peligro mortal!

Los gases de combustión que se vuelven a aspirar pueden ocasionar intoxicaciones.

Garantice una entrada de aire suficiente si el aparato se emplea en modo de funcionamiento en salida de aire al exterior junto con un equipo calefactor dependiente del aire del recinto de instalación.

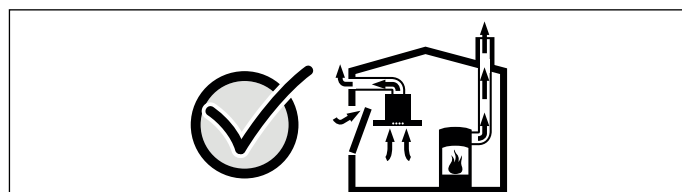


Los equipos calefactores que dependen del aire del recinto de instalación (p. ej., calefactores de gas, aceite, madera o carbón, calentadores de salida libre, calentadores de agua) adquieren aire de combustión del recinto de instalación y evacuan los gases de escape al exterior a través de un sistema extractor (p. ej., una chimenea).

En combinación con una campana extractora conectada se extrae aire de la cocina y de las habitaciones próximas; sin una entrada de aire suficiente se genera una depresión. Los gases venenosos procedentes de la chimenea o del hueco de ventilación se vuelven a aspirar en las habitaciones.

- Por tanto, asegurarse de que siempre haya una entrada de aire suficiente.
- Un pasamuros de entrada/salida de aire no es garantía por sí solo del cumplimiento del valor límite.

A fin de garantizar un funcionamiento seguro, la depresión en el recinto de instalación de los equipos calefactores no debe superar 4 Pa (0,04 mbar). Esto se consigue si, mediante aberturas que no se pueden cerrar, p. ej., en puertas, ventanas, en combinación con un pasamuros de entrada/salida de aire o mediante otras medidas técnicas, se puede hacer recircular el aire necesario para la combustión.



Pedir siempre asesoramiento al técnico competente de su región, que estará en condiciones de evaluar todo el sistema de ventilación de su hogar y recomendarle las medidas adecuadas en materia de ventilación.

Si la campana extractora se utiliza exclusivamente en funcionamiento en recirculación, no hay limitaciones para el funcionamiento.

### ¡Peligro de incendio!

- Los depósitos de grasa del filtro de grasas pueden prenderse.  
**Los filtros de grasa deben limpiarse por lo menos cada 2 meses.**  
No usar nunca el aparato sin filtro de grasa.
- Los depósitos de grasa del filtro de grasas pueden prenderse. Nunca trabaje con una llama directa cerca del aparato (p. ej., flambear). Instalar el aparato cerca de un equipo calefactor para combustibles sólidos (p. ej., madera o carbón) solo si se dispone de una cubierta cerrada no desmontable. No deben saltar chispas.
- El aceite caliente y la grasa se inflaman con facilidad. Estar siempre pendiente del aceite caliente y de la grasa. No apagar nunca con agua un fuego. Apagar la zona de cocción. Sofocar con cuidado las llamas con una tapa, una tapa extintora u otro medio similar.
- Los fogones de gas en los que no se haya colocado ningún recipiente para cocinar encima, generan gran cantidad de calor durante su funcionamiento. Eso puede dañar o incendiar el aparato de ventilación situado encima. Utilizar los fogones de gas únicamente colocando encima recipientes para cocinar.
- Lors du fonctionnement simultan e de plusieurs foyers gaz il y a une forte production de chaleur. L'appareil de ventilation risque d' tre endommag e ou de prendre feu. L'appareil de ventilation doit uniquement  tre combin e avec des foyers gaz qui ne d passent pas une puissance totale maximale de 18 kW. En cas de d passement de la puissance totale de 12 kW, il convient de respecter les prescriptions locales concernant la ventilation de la pi ce, la taille de la pi ce et

la combinaison avec des appareils de ventilation en mode  vacuation de l'air ou recyclage.

### ¡Peligro de quemaduras!

Las partes accesibles se calientan durante el funcionamiento. No tocar nunca las partes calientes. No dejar que los ni os se acerquen.

### ¡Riesgo de lesiones!

- Bordes del aparato en la zona de la cabeza. No golpearse la cabeza contra el aparato. Cuando se est  cocinando, mantener la cabeza a una distancia prudencial.
- Las piezas internas del aparato pueden tener bordes afilados. Usar guantes protectores.
- Los objetos situados sobre el aparato pueden caerse. No colocar objetos sobre el aparato.
- La luz de las iluminaciones LED es muy deslumbrante y puede da ar los ojos (grupo de riesgo 1). No mirar m s de 100 segundos directamente a las luces LED encendidas.

### ¡Peligro de descarga el ctrica!

- Un aparato defectuoso puede ocasionar una descarga el ctrica. No conectar nunca un aparato defectuoso. Desenchufar el aparato de la red o desconectar el fusible de la caja de fusibles. Avisar al Servicio de Asistencia T cnica.
- Las reparaciones inadecuadas son peligrosas. Las reparaciones y la sustituci n de cables de conexi n defectuosos solo pueden ser efectuadas por personal del Servicio de Asistencia T cnica debidamente instruido. Si el aparato est  averiado, desenchufarlo de la red o desconectar el fusible de la caja de fusibles. Avisar al Servicio de Asistencia T cnica.
- La humedad interior puede provocar una descarga el ctrica. No utilizar ni limpiadores de alta presi n ni por chorro de vapor.



## Causas de daños

### ¡Atención!

Peligro de daños por corrosión Encender siempre el aparato cuando se vaya a cocinar con el fin de evitar la formación de agua condensada. El agua condensada puede conllevar daños por corrosión.

Peligro de daños por humedad en el interior del sistema electrónico. No limpiar nunca los elementos de mando con un paño húmedo.

Daños en la superficie en caso de limpieza indebida. Limpiar las superficies de acero inoxidable siempre en la dirección del pulido. No utilizar limpiadores específicos para acero inoxidable para la limpieza de los elementos de mando.

Daños en la superficie en caso de utilizar productos de limpieza abrasivos o corrosivos. No utilizar nunca productos de limpieza abrasivos o corrosivos.

Peligro de daños por recirculación del vapor condensado. Instalar el canal de salida de aire del aparato ligeramente inclinado hacia abajo (1° de desnivel).

---

## Protección del medio ambiente

---

Su nuevo aparato presenta una gran eficiencia energética. Aquí se ofrecen consejos sobre cómo manejar el aparato ahorrando más energía y cómo desecharlo correctamente.

### Ahorro de energía

- Conectar la ventilación solo cuando sea necesario. Si se desea calentar brevemente un plato que no desprende un olor fuerte, también se puede dejar apagada la ventilación.
- Seleccionar un nivel de ventilación adecuado a cada circunstancia.
- Volver a apagar la ventilación tras la cocción.
- Limpiar regularmente el filtro antigrasa, el cual incrementa la eficacia de la ventilación.
- Apagar la iluminación del aparato si no se utiliza.

### Eliminación de residuos respetuosa con el medio ambiente



Eliminar el embalaje de forma ecológica.



Este aparato está marcado con el símbolo de cumplimiento con la Directiva Europea 2012/19/UE relativa a los aparatos eléctricos y electrónicos usados (Residuos de aparatos eléctricos y electrónicos RAEE).

La directiva proporciona el marco general válido en todo el ámbito de la Unión Europea para la retirada y la reutilización de los residuos de los aparatos eléctricos y electrónicos.

## Modos de funcionamiento

Este aparato puede utilizarse en funcionamiento con salida de aire o en recirculación.

### Funcionamiento en salida de aire al exterior



El aire aspirado se depura a través de filtros antigrasa y se evacua al exterior mediante un sistema de conductos.

**Nota:** La salida de aire no debe transmitirse ni a una chimenea de humos o gases de escape en servicio ni a un hueco que sirva como ventilación de los recintos de instalación de equipos calefactores.

- Si la salida de aire se va a evacuar en una chimenea de humos o gases de escape que no está en servicio, será necesario contar previamente con la aprobación correspondiente del técnico competente de la zona.
- Si la salida de aire se evacua mediante la pared exterior, se deberá utilizar un pasamuros telescópico.

### Funcionamiento con recirculación de aire



El aire aspirado se depura a través de filtros antigrasa y un filtro de carbono activo y se vuelve a suministrar a la cocina.

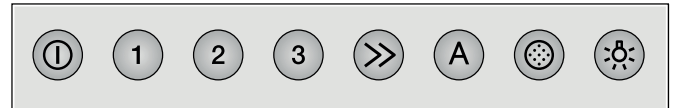
**Nota:** Para neutralizar los olores durante el funcionamiento con recirculación de aire debe montarse un filtro de carbono activo. Para conocer todas las posibilidades que ofrece el funcionamiento con recirculación de aire del aparato, remitirse a la documentación correspondiente o consultar en un comercio especializado. Los accesorios necesarios para tal fin pueden adquirirse en comercios especializados, en el servicio de asistencia técnica o en la tienda en línea.

## Manejar el aparato

**Nota:** Encender la campana extractora al empezar a cocinar y apagarla unos minutos después de haber finalizado con las tareas de cocción. De esta manera se neutralizarán con gran efectividad los vapores que se desprenden al cocinar.

### Manejar el aparato

#### Panel de mando



#### Explicación

⓪	Ventilador encendido/apagado
1	Nivel de ventilador 1
2	Nivel de ventilador 2
3	Nivel de ventilador 3
>>	Nivel intensivo
A	Funcionamiento automático
⦿	Indicador de saturación
💡	Luz encendida/apagada/atenuación

### Ajustar el ventilador

**Nota:** Ajustar siempre la potencia del ventilador a la circunstancia actual. Si se forma mucho vapor, seleccionar también una potencia de ventilación alta.

#### Activación

- 1 Pulsar la tecla ⓪.  
El ventilador se pone en marcha en el nivel 2.
- 2 Pulsar las teclas 1, 2, 3 o >> para ajustar el nivel de ventilador correspondiente.

#### Desactivación

Pulsar la tecla ⓪.

## Nivel intensivo

En caso de fuertes olores y vapores, utilizar el nivel intensivo.

### Activación

1 Pulsar la tecla ①.  
El ventilador se pone en marcha en el nivel 2.

2 Pulsar la tecla >>.  
El nivel intensivo está activado.

**Nota:** La duración del nivel intensivo es de 6 minutos. Una vez transcurrido este tiempo, el aparato vuelve al nivel de ventilador seleccionado anteriormente.

### Desactivación

Pulsar la tecla ① o la tecla de otro nivel de ventilador.

Se finaliza el nivel intensivo.

## Funcionamiento automático

### Activación

1 Pulsar la tecla ①.  
El ventilador se pone en marcha en el nivel 2.

2 Pulsar la tecla A.  
El nivel de ventilador óptimo 1, 2 o 3 se ajusta automáticamente mediante un sensor.

### Desactivación

Pulsar la tecla A o ①.

El modo automático está desconectado.

El ventilador se apaga automáticamente cuando la calidad del aire en el ambiente baja de un nivel determinado. El tiempo de funcionamiento del nivel automático es de 4 horas como máximo.

## Control del sensor

Durante el funcionamiento automático, un sensor situado en la campana extractora detecta la intensidad de los olores de cocción y asado. En función del ajuste del sensor, el ventilador conmuta automáticamente a otro nivel de ventilación.

Ajuste de fábrica de la sensibilidad: 2

Ajuste mínimo de la sensibilidad: 1

Ajuste máximo de la sensibilidad: 4

## Modificar el ajuste de la sensibilidad del sensor

Si el control del sensor reacciona demasiado rápido o demasiado lento, modificar el ajuste de la sensibilidad.

- 1 Con el ventilador apagado, mantener pulsada la tecla A durante unos 4 segundos.  
Se muestra el ajuste.
- 2 Pulsar la tecla 1, 2, 3 o >> para modificar el ajuste de la sensibilidad.

Tecla 1 = sensibilidad 1

Tecla 2 = sensibilidad 2

Tecla 3 = sensibilidad 3

Tecla >> = sensibilidad 4

- 3 Mantener pulsada la tecla A durante aprox. 4 segundos.  
Se guarda el cambio.

## Indicador de saturación

Cuando los filtros de metal antigrasa se saturan, parpadea la tecla ☉.

En ese momento se deben limpiar los filtros de metal antigrasa.

En el capítulo Limpieza y mantenimiento se explica cómo limpiar los filtros de metal antigrasa.

### Restablecer el indicador de saturación

Pulsar la tecla ☉.

## Iluminación

La iluminación se puede encender y apagar de forma independiente de la ventilación.

### Conexión o desconexión

Pulsar la tecla ☼.

### Ajuste del brillo

Mantener pulsada la tecla ☼ hasta conseguir el brillo deseado.

## Desconexión de seguridad

Para proteger al usuario, el aparato tiene una función de desconexión de seguridad. Si no se interactúa con el aparato, la iluminación se apaga transcurridas 12 horas y, el ventilador, transcurridas 4 horas.

## Limpeza y mantenimiento

### ⚠ ¡Peligro de quemaduras!

El aparato se calienta durante el funcionamiento. Antes de proceder a la limpieza del aparato, dejar que se enfríe.

### ⚠ ¡Peligro de descarga eléctrica!

Si penetra humedad, eso puede causar una descarga eléctrica. Limpiar el aparato solo con un paño húmedo. Antes de la limpieza hay que desconectar el enchufe o los fusibles de la caja de fusibles.

### ⚠ ¡Peligro de descarga eléctrica!

La humedad interior puede provocar una descarga eléctrica. No utilizar ni limpiadores de alta presión ni por chorro de vapor.

### ⚠ ¡Peligro de lesiones!

Las piezas internas del aparato pueden tener bordes afilados. Usar guantes protectores.

## Productos de limpieza

Consultar las indicaciones de la tabla a fin de no dañar las distintas superficies con productos de limpieza inapropiados. No utilizar lo siguiente:

- productos de limpieza abrasivos o corrosivos,
- productos de limpieza con un alto contenido alcohólico;
- estropajos o esponjas de fibra dura;
- limpiadores de alta presión o por chorro de vapor.

Lavar a fondo las bayetas nuevas antes de usarlas.

Respetar todas las instrucciones y avisos que incluyen los productos de limpieza.

Tipo	Productos de limpieza
Acero inoxidable	Agua caliente con jabón: Limpiar con una bayeta y secar con un paño suave.  Limpiar las superficies de acero fino siempre en la dirección del pulido.  Se pueden adquirir productos de limpieza de acero especiales en el Servicio de Asistencia Técnica o en comercios especializados. Aplicar una capa muy fina del producto de limpieza con un paño suave.
Aluminio y plástico	Limpiacristales: Limpiar con un paño suave.
Vidrio	Limpiacristales: Limpiar con un paño suave. No utilizar rascadores para cristal.
Elementos de mando	Agua caliente con jabón: Limpiar con una bayeta húmeda y secar con un paño suave.  Peligro de daños por humedad en el interior del sistema electrónico. No limpiar nunca los elementos de mando con un paño húmedo.  No usar limpiadores para acero fino.

### Quitagrasas (n.º art. 00311297)

Quitagrasas muy potente para la eliminación de los restos de grasa incrustada en la campana extractora de humos. Ideal para el pretratamiento de los filtros de metal antigrasa.

### Toallitas limpiadoras para superficies de acero fino (n.º art. 00311134)

Para el cuidado de superficies de acero fino. Impregnadas con aceite especial, impiden la acumulación de suciedad y las huellas dactilares.

## Desmontar el filtro de metal antigrasa

### ⚠ ¡Peligro de lesiones!

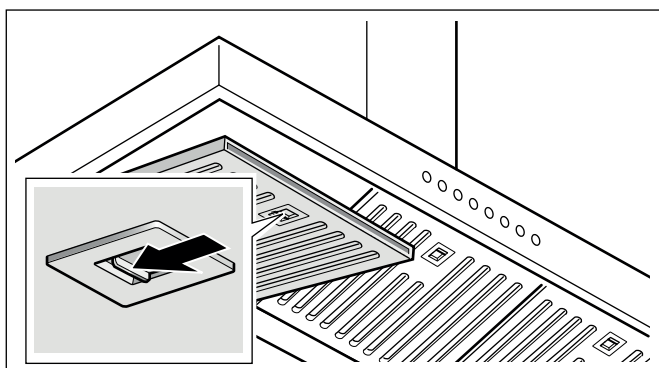
Los filtros de metal antigrasa y las piezas internas del aparato pueden tener bordes afilados. Llevar guantes protectores.

### ⚠ ¡Riesgo de lesiones!

Los filtros de metal antigrasa pesan mucho. Desmontar los filtros de metal antigrasa con cuidado y procurar que no se caigan al extraerlos.

El filtro de metal antigrasa consta de tres componentes. Para facilitar la limpieza se pueden separar los filtros de metal antigrasa.

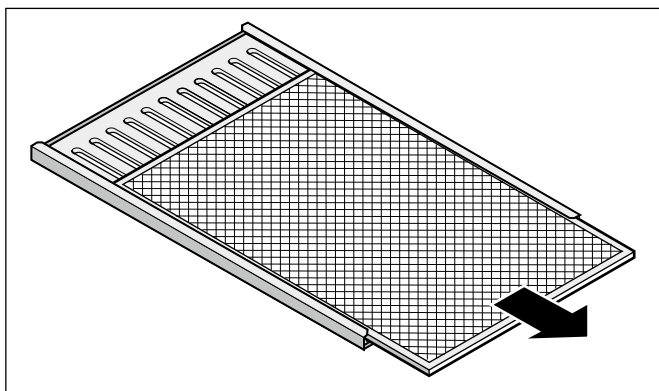
- 1 Abrir el bloqueo y plegar hacia abajo el filtro de metal antigrasa. Por razones de seguridad, el filtro de metal antigrasa está encajado por el borde trasero.



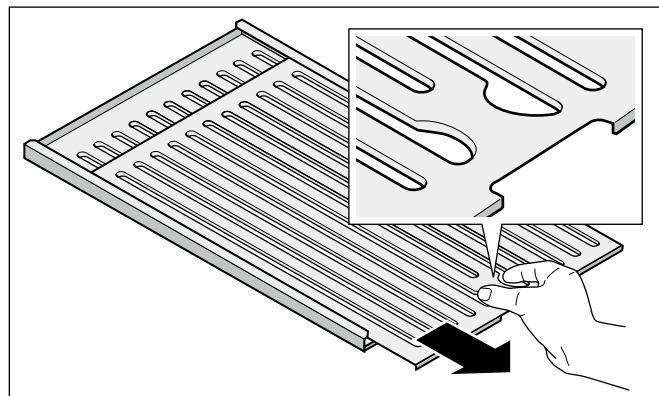
- 2 Elevar levemente el filtro de metal antigrasa por el borde delantero hasta extraerlo de su soporte.

**Nota:** La grasa puede acumularse en la parte inferior del filtro de metal antigrasa. Sujetar el filtro de metal antigrasa en posición horizontal para evitar que gotee grasa.

- 3 Extraer el filtro de tejido metálico.



- 4 Separar ambas piezas del filtro con ayuda de las escotaduras de agarre.



- 5 Limpiar el filtro de metal antigrasa.
- 6 Limpiar el aparato desde dentro.

## Limpiar el filtro de metal antigrasa

### ⚠ ¡Peligro de incendio!

Los depósitos de grasa del filtro de grasas pueden prenderse.

**Los filtros de grasa deben limpiarse por lo menos cada 2 meses.**

No usar nunca el aparato sin filtro de grasa.

#### Notas

- No utilizar productos de limpieza agresivos a base de ácidos o lejía.
- Al limpiar los filtros de metal antigrasa, limpiar también el soporte de los filtros de metal antigrasa en el aparato con un paño húmedo.
- Los filtros de metal antigrasa se pueden limpiar a mano o en el lavavajillas.

#### En el lavavajillas:

**Nota:** La limpieza en el lavavajillas podría conllevar ligeras decoloraciones. Esto no afecta al funcionamiento normal de los filtros de metal antigrasa.

- No lavar los filtros de metal antigrasa junto con el resto de la vajilla si están muy sucios.
- Eliminar primero a mano la suciedad más incrustada.
- Colocar debidamente los filtros de metal antigrasa en el lavavajillas. Los filtros de metal antigrasa no deben quedar aprisionados.

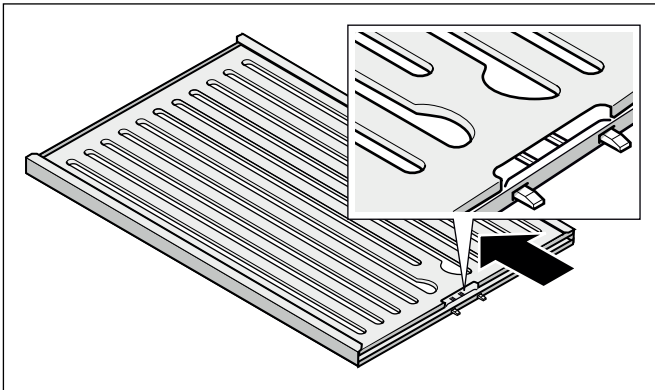
#### A mano:

- Remojar los filtros de metal antigrasa en agua caliente con jabón.
- Utilizar un cepillo para la limpieza y a continuación enjuagar bien los filtros.
- Dejar escurrir los filtros de metal antigrasa.

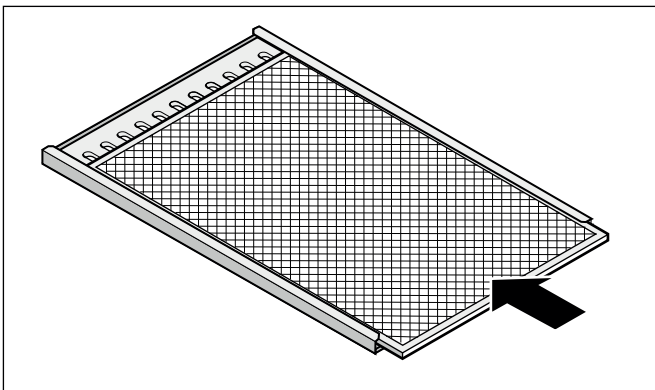
**Nota:** En caso de suciedad fuertemente incrustada se puede utilizar un disolvente de grasa. Se puede solicitar a través de la tienda en línea (n.º art. 00311297). Pulverizar disolvente antigraza sobre los filtros de metal antigraza sucios y dejar actuar durante 5 min. A continuación, enjuagar con abundante agua. Tener en cuenta las indicaciones de uso del limpiador.

## Montar el filtro de metal antigraza

- 1 Deslizar y unir ambas piezas del filtro. Asegurarse de que la colocación sea correcta, con la abertura en el borde.




- 2 Insertar el filtro de tejido metálico hasta el tope.



- 3 Colocar el filtro de metal antigraza en la parte inferior del aparato con el bloqueo hacia delante y enclavar el bloqueo.

**Nota:** Al colocarlo, asegurarse de que el bloqueo quede bien enclavado. De lo contrario, el filtro de metal antigraza podría caerse y dañar la placa de cocción.

- 4 Pulsar la tecla . Se ha restablecido el indicador de saturación.

## Sustituir el filtro de carbono activo (solo en funcionamiento con recirculación de aire)

**⚠ ¡Peligro de lesiones!**

Peligro de caída al cambiar el filtro. Utilizar una escalera plegable que sea segura.

Para garantizar un buen grado de disipación del olor, deberá sustituirse regularmente el filtro de carbón activo.

En caso de poco uso o uso ocasional: sustituir el filtro de carbón activo transcurridos máximo 18 meses o en caso de percibir olores en el aire saliente.

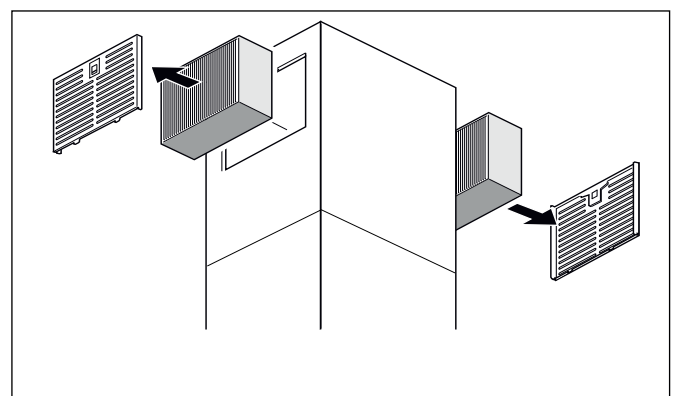
En caso de uso diario o muy frecuente: sustituir el filtro de carbón activo transcurridos máximo 12 meses o en caso de percibir olores en el aire saliente.

### Notas

- El filtro de carbón activo está incluido en el volumen de suministro del juego de aire circulante AA 442 810. Pueden adquirirse filtros de carbón activo adicionales en comercios especializados, a través del Servicio de Atención al Cliente o en la tienda en línea con el número de pedido AA 442 110 (paquete con 2 filtros).
- Sustituir siempre los dos filtros de carbón activo.
- Los filtros de carbón activo no deben limpiarse ni reactivarse.
- Desechar el filtro de carbón activo en la basura doméstica.

### Así se procede

- 1 Abrir los bloqueos a ambos lados de las rejillas protectoras y extraer las rejillas.
- 2 Retirar los filtros de carbono activo viejos.



- 3 Colocar los filtros nuevos.
- 4 Colocar las rejillas protectoras.

## ¿Anomalías - como reaccionar?

Muchas veces usted mismo podrá eliminar las fallas que se presenten. Antes de llamar el servicio al cliente, tenga en cuenta las siguientes indicaciones.

### ¡Peligro de descarga eléctrica!

Las reparaciones inadecuadas son peligrosas. Las reparaciones y la sustitución de cables de conexión defectuosos solo pueden ser efectuadas por personal del Servicio de Asistencia Técnica debidamente instruido. Si el aparato está averiado, desenchufarlo de la red o desconectar el fusible de la caja de fusibles. Avisar al Servicio de Asistencia Técnica.


### ¡Peligro de lesiones!

La luz de las iluminaciones LED es muy deslumbrante y puede dañar los ojos (grupo de riesgo 1). No mirar más de 100 segundos directamente a las luces LED encendidas.

### Luces LED

La sustitución de las luces LED debe encomendarse siempre al fabricante, al servicio de asistencia técnica o a profesionales autorizados (instaladores electricistas).

## Tabla de averías

Anomalía	Posible causa	Solución
El aparato no funciona	El enchufe no está conectado a la red	Enchufar el aparato a la red eléctrica
	Corte de corriente	Comprobar si los demás electrodomésticos de cocina funcionan
	El fusible está defectuoso	Comprobar en la caja de fusibles si el fusible del aparato está correcto
El aparato no funciona, todas las teclas parpadean	El enchufe del cable de red no está conectado a la red	Comprobar conexión de cables de red para todos los aparatos
	El fusible está dañado	En la caja de fusibles, comprobar si los fusibles funcionan correctamente para todos los aparatos
	No funciona un componente del aparato	Avisar al Servicio de Asistencia Cliente
El aparato no funciona	El aparato ha funcionado durante más de 4 horas, se ha activado la desconexión de seguridad	Volver a conectar el aparato
La iluminación de las teclas no funciona	La unidad de control está estropeada	Avisar al Servicio de Atención al Cliente
La iluminación no funciona	La iluminación está defectuosa	Avisar al Servicio de Asistencia Cliente
La tecla  parpadea	El filtro de metal está saturado	Limpiar el filtro, ver el capítulo <i>Limpieza y mantenimiento</i>

---

## Servicio de atención al cliente

---

Nuestro Servicio de Asistencia Técnica se encuentra a su disposición siempre que necesite la reparación de su aparato. Nosotros encontraremos la solución adecuada, incluso para evitar desplazamientos innecesarios de los técnicos.

Indicar el número de producto (E) y el de fabricación (FD) para obtener un asesoramiento cualificado. La etiqueta de características con los correspondientes números se encuentra en el aparato.

A fin de evitarse molestias llegado el momento, le recomendamos anotar los datos de su aparato, así como el número de teléfono del Servicio de Asistencia Técnica en el siguiente apartado.

---

N.º de producto (E)	N.º de fabricación (FD)
---------------------	-------------------------

---

**Servicio de Asistencia  
Técnica** 

---

Recuerde que, en caso de manejo incorrecto, la asistencia del personal del Servicio de Asistencia Técnica no es gratuita, incluso aunque esté dentro del período de garantía.

Las señas de las delegaciones internacionales figuran en la lista adjunta de centros y delegaciones del Servicio de Asistencia Técnica Oficial.

### Solicitud de reparación y asesoramiento en caso de averías

E 902 30 30 44

Confíe en la competencia del fabricante. De esa forma se asegura de que la reparación se lleva a cabo por personal técnico debidamente instruido, equipado con las piezas originales y de repuesto necesarias para su aparato.



---

## Índice

---

<b>Instruções de segurança importantes</b>	<b>26</b>
<b>Protecção do meio ambiente</b>	<b>28</b>
Poupar energia	28
Eliminação ecológica	28
<b>Tipos de funcionamento</b>	<b>29</b>
Função com exaustão de ar	29
Modo de funcionamento da circulação de ar	29
<b>Operar o aparelho</b>	<b>29</b>
Operar o aparelho	29
Regular o ventilador	29
Fase intensiva	30
Funcionamento automático	30
Controlo por sensores	30
Indicação de saturação	30
Iluminação	30
Bloqueio de segurança	30
<b>Limpeza e manutenção</b>	<b>31</b>
<b>Falhas – o que fazer?</b>	<b>34</b>
<b>Serviço de Apoio ao Cliente</b>	<b>35</b>

Obtenha mais informações relativas a produtos, acessórios, peças sobresselentes e Assistência Técnica na Internet: [www.gaggenau.com](http://www.gaggenau.com) e na loja Online: [www.gaggenau-eshop.com](http://www.gaggenau-eshop.com)

## ⚠️ Instruções de segurança importantes

Leia atentamente o presente manual. Só assim poderá utilizar o seu aparelho de forma segura e correcta. Guarde as instruções de utilização e montagem para consultas futuras ou para futuros utilizadores.

Só com uma montagem especializada e em conformidade com as instruções de montagem, pode ser garantida a segurança durante a utilização. O instalador é responsável pelo funcionamento correto no local de montagem.

Este aparelho foi concebido apenas para uso doméstico. O aparelho não foi concebido para o funcionamento no exterior. Vigie o aparelho durante o funcionamento. O fabricante não é responsável por danos provocados pela utilização inadequada ou por manuseamento errado.

O aparelho foi concebido para ser utilizado até a uma altitude de 2000 metros acima do nível do mar, no máximo.

Este aparelho pode ser usado por crianças com mais de 8 anos e por pessoas com limitações físicas, sensoriais ou mentais ou com pouca experiência ou conhecimentos, se estiverem sob vigilância de uma pessoa responsável pela sua segurança ou tiverem sido instruídas acerca da utilização segura do aparelho e tiverem compreendido os perigos decorrentes da sua utilização.

As crianças não devem brincar com o aparelho. As tarefas de limpeza e manutenção por parte do utilizador não devem ser efectuadas por crianças, a não ser que tenham mais de 8 anos e estejam sob vigilância.

As crianças menores de 8 anos devem manter-se afastadas do aparelho e do cabo de ligação. Examine o aparelho depois de o desembalar. Se forem detectados danos de transporte, não ligue o aparelho.

Este aparelho não foi previsto para ser utilizado com um temporizador externo ou um telecomando externo.

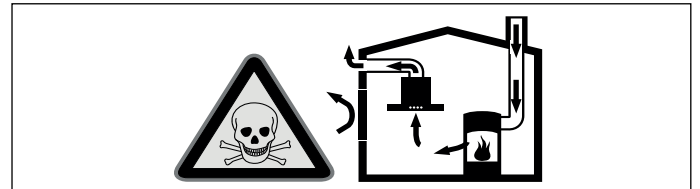
### **Perigo de asfixia!**

O material de embalagem é perigoso para as crianças. Nunca deixe as crianças brincarem com o material de embalagem.

### **Perigo de vida!**

Os gases de combustão aspirados podem levar a intoxicação.

Certifique-se de que há sempre reposição de ar fresco suficiente quando o aparelho é utilizado no modo de exaustão em conjunto com equipamentos de aquecimento que consomem o ar ambiente.

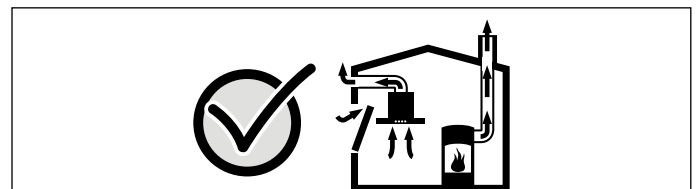


Os equipamentos de aquecimento que consomem o ar ambiente (p. ex. sistemas de aquecimento a gás, óleo, lenha ou carvão, esquentadores, cilindros) utilizam para a combustão o ar do local de montagem e transportam os gases de combustão para o exterior através de um sistema de exaustão (p. ex. uma chaminé).

Quando o exaustor está ligado, retira o ar ambiente à cozinha e aos espaços adjacentes - sem ar suficiente é criada uma pressão negativa. Os gases tóxicos da chaminé ou da condução de extração voltam a ser aspirados para os espaços de habitação.

- Por isso, tem que existir sempre a reposição de ar fresco suficiente no local da instalação.
- Uma caixa de entrada/exaustão de ar, só por si, não garante a manutenção do valor limite.

O funcionamento sem perigos só é possível se a pressão negativa no local da instalação do fogão não ultrapassar os 4 Pa (0,04 mbar). Isto pode ser conseguido se o ar necessário para a combustão puder ser repostado através de aberturas que não fechem (p. ex. portas, janelas), em ligação com uma caixa de entrada/exaustão de ar, que permitam uma circulação de ar suficiente para a combustão.



Consulte sempre a entidade responsável para avaliar a interligação da ventilação de toda a casa e sugerir as medidas adequadas de ventilação.

Se o exaustor funcionar exclusivamente em circulação de ar, não existe qualquer limitação na sua utilização.

### **Perigo de incêndio!**

- A gordura acumulada no filtro pode incendiar-se.

#### **Limpar o filtro de gorduras pelo menos de 2 em 2 meses.**

Nunca utilizar o aparelho sem filtro de gorduras.

- A gordura acumulada no filtro pode incendiar-se. Nunca trabalhe com uma chama aberta perto do aparelho (p. ex. flambear). Instalar o aparelho perto de um fogão para combustíveis sólidos (p.ex. madeira ou carvão), somente se existir no local uma cobertura fechada e não retirável. Não pode haver fagulhas a voar.
- O óleo e a gordura quentes incendeiam-se rapidamente. Nunca deixe óleo ou gordura quentes sem vigilância. Nunca apague fogo com água. Desligue a zona de cozinhar. Abafe as chamas com uma tampa, manta de amianto ou um objecto equivalente.
- As zonas de cozinhar a gás que não tenham louça para cozinhar colocada em cima ficam muito quentes durante o funcionamento. Um aparelho de ventilação montado por cima pode ficar danificado ou incendiar-se. As zonas de cozinhar a gás devem apenas funcionar com louça para cozinhar colocada em cima.
- Quando são utilizados vários bicos a gás em simultâneo, é produzido grande calor. O equipamento de ventilação pode ser danificado ou incendiar-se. O equipamento de ventilação só pode ser combinado com zonas de cozinhar a gás que não excedam uma potência total máxima de 18 kW. Caso seja excedida a potência total de 12 kW, devem respeitar-se as normas locais em matéria de ventilação e dimensão de espaços e ponderar-se uma combinação com aparelhos de ventilação por aspiração ou por recirculação.

### **Perigo de queimaduras!**

As peças que se encontram acessíveis ficam quentes durante o funcionamento do aparelho. Nunca toque nas peças quentes. Manter fora do alcance das crianças.

### **Perigo de ferimentos!**

- Cantos do aparelho na zona da cabeça. Não bata com a cabeça no aparelho. Ao cozinhar, assegure a existência de espaço livre suficiente sobre a cabeça.
- Os componentes interiores do aparelho podem ter arestas vivas. Use luvas de proteção.
- Os objetos colocados sobre o aparelho podem cair. Não colocar objetos sobre o aparelho.
- A luz dos LED de iluminação é muito agressiva e pode provocar danos oculares (grupo de risco 1). Não olhe diretamente para as luzes LED acesas durante mais de 100 segundos.

### **Perigo de choque eléctrico!**

- Um aparelho avariado pode causar choques eléctricos. Nunca ligue um aparelho avariado. Puxe a ficha da tomada ou desligue o disjuntor no quadro eléctrico. Contacte o Serviço de Assistência Técnica.
- As reparações indevidas são perigosas. As reparações e substituições de cabos danificados só podem ser efectuadas por técnicos especializados do Serviço de Assistência Técnica. Se o aparelho estiver avariado, puxe a ficha da tomada ou desligue o disjuntor no quadro eléctrico. Contacte o Serviço de Assistência Técnica.
- A humidade que se infiltra no aparelho pode dar origem a um choque eléctrico. Não utilize aparelhos de limpeza a alta pressão ou de limpeza a vapor.

## Causas de danos

### Atenção!

Perigo de danificação devido a danos provocados por corrosão. Ligar sempre o aparelho quando se cozinha, para evitar a formação de água de condensação. A água de condensação pode provocar danos de corrosão.

Perigo de danificação devido a humidade que penetra no sistema eletrónico. Nunca limpar os elementos de comando com um pano húmido.

Danos na superfície devido a uma limpeza incorreta. Limpar as superfícies de aço inoxidável apenas no sentido do polimento. Não usar produto de limpeza para aço inoxidável nos elementos de comando.

Danos na superfície devido a produtos de limpeza agressivos ou abrasivos. Nunca usar produtos de limpeza agressivos ou abrasivos.

Perigo de danificação devido ao retorno de condensação. Instalar a conduta de ar com ligeira queda a partir do equipamento (1ª inclinação).

---

## Protecção do meio ambiente

---

O seu novo aparelho é especialmente eficiente do ponto de vista energético. Nesta secção encontrará conselhos para poupar ainda mais energia ao utilizar o seu aparelho e para o eliminar de forma adequada.

### Poupar energia

- Ligue a ventilação apenas quando tal for necessário. Caso deseje apenas aquecer algo que não emita odores fortes, pode manter a ventilação desligada.
- Selecione um nível do ventilador adequado à situação.
- Desligue novamente a ventilação depois de cozinhar.
- Limpe regularmente o filtro de gordura, pois melhora a eficácia de ventilação.
- Desligue a iluminação do aparelho se este não estiver a ser utilizado.

### Eliminação ecológica

Elimine a embalagem de forma ecológica.



Este aparelho está marcado em conformidade com a Directiva 2012/19/UE relativa aos resíduos de equipamentos eléctricos e electrónicos (waste electrical and electronic equipment - WEEE).

A directiva estabelece o quadro para a criação de um sistema de recolha e valorização dos equipamentos usados válido em todos os Estados Membros da União Europeia.

## Tipos de funcionamento

Este aparelho pode ser utilizado em modo de exaustão ou de recirculação de ar.

### Função com exaustão de ar



O ar aspirado é limpo na sua passagem pelo filtro de gordura e encaminhado para o exterior através de um sistema de tubagem.

**Nota:** O ar evacuado não pode ser encaminhado por uma chaminé de exaustão de fumos ou de gases queimados em funcionamento, nem por uma caixa de ar que sirva de ventilação de locais com lareiras instaladas.

- Caso o ar evacuado tenha de ser encaminhado por uma chaminé de exaustão de fumos ou de gases queimados que não esteja em funcionamento, é necessária uma autorização da entidade supervisora da instalação dos aparelhos de queima.
- Se o ar evacuado for encaminhado através da parede exterior, deve ser utilizada uma caixa mural telescópica.

### Modo de funcionamento da circulação de ar



O ar aspirado é limpo através dos filtros de gordura e um filtro de carvão ativado, e é novamente conduzido para a cozinha.

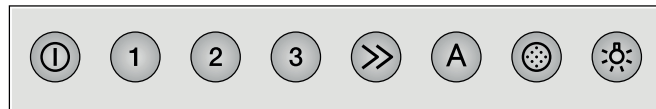
**Nota:** Para reter os odores no modo de funcionamento da circulação de ar, tem de montar um filtro de carvão ativado. Consulte os prospectos ou dirija-se ao seu retalhista especializado, para se informar acerca das diferentes possibilidades de operar o aparelho no modo de funcionamento da circulação de ar. Pode obter os acessórios necessários para o efeito no comércio especializado, no serviço de assistência ou na loja online.

## Operar o aparelho

**Nota:** Ligue o exaustor no início da cozedura e desligue-o apenas após passados alguns minutos de a cozedura terminar. O vapor da cozinha é, desta forma, eliminado com maior eficácia.

### Operar o aparelho

#### Painel de comandos



#### Nota explicativa

ⓘ	Ligar/desligar o ventilador
1	Fase 1 do ventilador
2	Fase 2 do ventilador
3	Fase 3 do ventilador
>>	Nível intensivo
A	Funcionamento automático
⦿	Indicação de saturação
☀	Ligar/desligar/regular a luminosidade

### Regular o ventilador

**Nota:** Adapte a potência do ventilador sempre às condições atuais. No caso de elevada formação de vapores, selecione uma fase de ventilação mais elevada.

#### Ligar

- 1 Prima a tecla ⓘ.  
O ventilador começa a funcionar no nível 2.
- 2 Prima a tecla 1, 2, 3 ou >> para regular o nível do ventilador correspondente.


#### Desligar

Prima a tecla ⓘ.

## Fase intensiva

No caso de formação de odores e de vapores particularmente fortes, deve ser utilizada a fase intensiva.


### Ligar

1 Prima a tecla .  
O ventilador começa a funcionar no nível 2.

2 Prima a tecla .  
O nível intensivo está ativado.

**Nota:** O nível intensivo dura 6 minutos. Decorrido este tempo, o aparelho comuta para o nível do ventilador previamente regulado.


### Desligar


Prima a tecla  ou a tecla de um outro nível do ventilador.

O nível intensivo é concluído.

## Funcionamento automático

### Ligar

1 Prima a tecla .  
O ventilador inicia no nível do ventilador 2.

2 Prima a tecla .  
O nível ideal do ventilador, 1, 2 ou 3, é regulado automaticamente com a ajuda de um sensor.

### Desligar

Prima a tecla  ou .

O modo automático está desligado.

O ventilador desliga-se automaticamente caso a qualidade do ar ambiente não atinja determinado nível. O funcionamento automático dura, no máximo, 4 horas.

## Controlo por sensores

Durante o funcionamento automático, um sensor no exaustor reconhece a intensidade dos cheiros de cozedura e de fritura. Dependendo da regulação do sensor, o exaustor comuta automaticamente para outro nível do ventilador.


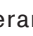
Regulação de fábrica da sensibilidade: 2

Regulação mínima da sensibilidade: 1

Regulação máxima da sensibilidade: 4

## Alterar a regulação da sensibilidade do sensor

Caso o comando do sensor reaja demasiado rápido ou lento, altere a regulação da sensibilidade.


- 1 Com o ventilador desligado, prima a tecla  durante aprox. 4 segundos.  
A regulação é indicada.
- 2 Prima a tecla 1, 2, 3 ou  para alterar a regulação da sensibilidade.

Tecla 1 = Sensibilidade 1


Tecla 2 = Sensibilidade 2

Tecla 3 = Sensibilidade 3

Tecla  = Sensibilidade 4

- 3 Mantenha a tecla  premida durante 4 segundos.  
A alteração foi memorizada.

## Indicação de saturação

Quando o filtro metálico de gorduras está saturado, a tecla  pisca.

Neste momento, deve proceder-se à limpeza dos filtros metálicos de gorduras.

Para saber como limpar os filtros metálicos de gorduras, consulte o capítulo Limpeza e manutenção.


### Repor a indicação de saturação

Prima a tecla .


## Iluminação

A iluminação pode ser ligada ou desligada, independentemente da ventilação.

### Ligar ou desligar

Prima a tecla .

### Regular a luminosidade

Mantenha a tecla  premida, até ajustar a luminosidade pretendida.

## Bloqueio de segurança

Para sua proteção, o aparelho está equipado com uma desativação de segurança. A iluminação desliga-se após 12 horas e o ventilador após 4 horas, caso o aparelho não seja utilizado durante esse período.

## Limpeza e manutenção

### Perigo de queimaduras!

O aparelho aquece durante o funcionamento. Deixe o aparelho arrefecer antes de realizar a limpeza.

### Perigo de choque eléctrico!

A penetração de humidade pode causar choque eléctrico. Limpar o aparelho apenas com um pano húmido. Antes da limpeza, retire a ficha da tomada ou o fusível da caixa de fusíveis.

### Perigo de choque eléctrico!

A humidade que se infiltra no aparelho pode dar origem a um choque eléctrico. Não utilize aparelhos de limpeza a alta pressão ou de limpeza a vapor.

### Perigo de ferimentos!

Os componentes interiores do aparelho podem ter arestas vivas. Use luvas de proteção.

## Produtos de limpeza

Para que as diferentes superfícies não sejam danificadas por produtos de limpeza errados, tenha em atenção os dados constantes da tabela. Não utilize

- produtos de limpeza agressivos ou abrasivos,
- produtos de limpeza com elevado teor de álcool,
- esfregões de palha de aço ou esponjas abrasivas,
- aparelhos de limpeza a alta pressão ou de limpeza a vapor.

Lave bem os panos de esponja novos, antes de os utilizar.

Tenha em atenção todas as instruções e advertências que acompanham os produtos de limpeza.

Zona	Produto de limpeza
Aço inoxidável	Solução de água quente e detergente: Limpe com um pano multiusos e seque com um pano macio.  Limpar as superfícies de aço inoxidável apenas no sentido do polimento.  Através da assistência técnica ou numa loja especializada podem ser adquiridos produtos de limpeza especiais para aço inoxidável. Aplique uma camada fina do produto de limpeza com um pano macio.
Alumínio e plástico	Limpa-vidros: Limpe com um pano macio.
Vidro	Limpa-vidros: Limpe com um pano macio. Não utilize raspadores de vidros.
Elementos de comando	Solução de água quente e detergente: Limpe com um pano multiusos húmido e seque com um pano macio.  Perigo de danificação do sistema electrónico devido à entrada de umidade. Nunca limpe os elementos de comando com um pano molhado.  Não utilize produtos de limpeza para aço inoxidável.

### **Desengordurante (n.º artigo 00311297)**

Desengordurante intensivo para a remoção enérgica de depósitos de gordura no exaustor. Ideal para o pré-tratamento de filtros metálicos de gorduras.

### **Panos de limpeza para aço inoxidável (n.º artigo 00311134)**

Para a conservação de superfícies em aço inoxidável. Impregnados de óleo especial, evitam a acumulação de sujidade e de impressões digitais.

## Desmontar o filtro metálico de gorduras

### ⚠ Perigo de ferimentos!

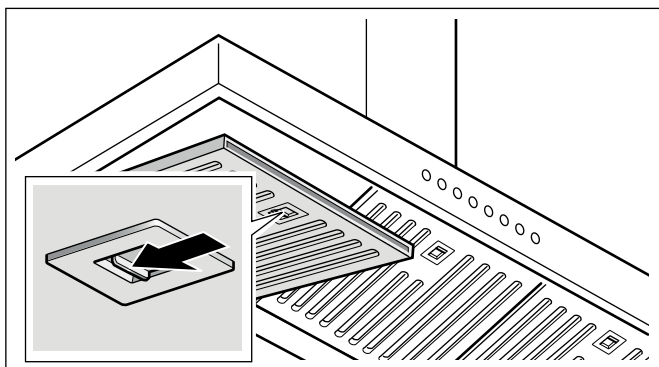
O filtro metálico de gorduras e os componentes interiores do aparelho podem ter arestas vivas. Use luvas de proteção.

### ⚠ Perigo de ferimentos!

Os filtros metálicos de gorduras são muito pesados. Desmonte cuidadosamente os filtros metálicos de gorduras e, ao retirá-los, assegure-se que não caem.

O filtro metálico de gorduras é constituído por três componentes. Para facilitar a limpeza, o filtro metálico de gorduras pode ser desmontado.

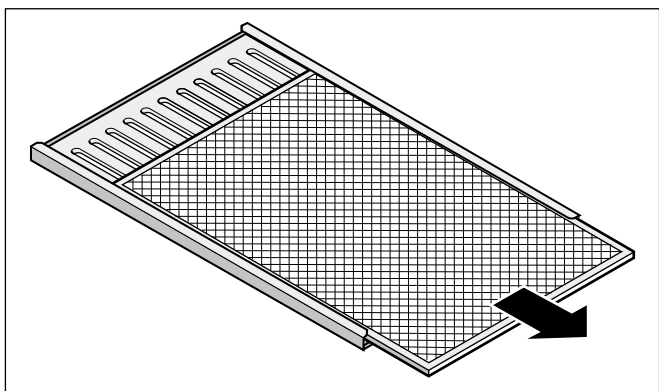
- 1 Abra o dispositivo de fecho e baixe o filtro metálico de gorduras. O filtro metálico de gorduras está encaixado no canto traseiro, para sua segurança.



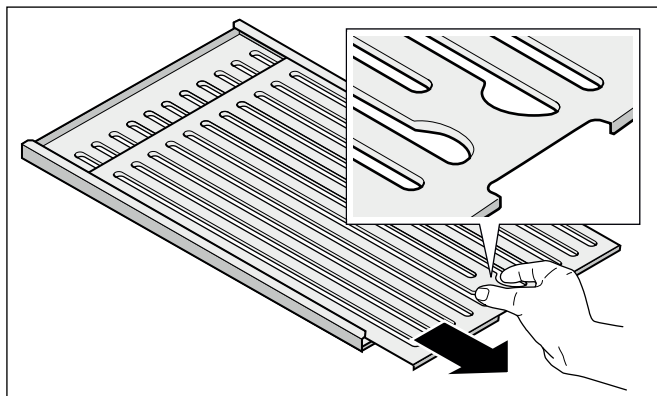
- 2 Levante ligeiramente o filtro metálico de gorduras pelo canto dianteiro até poder ser removido do suporte.

**Nota:** A gordura pode acumular-se na parte inferior do filtro metálico de gorduras. Mantenha o filtro metálico de gorduras na horizontal para evitar o gotejar de gordura.

- 3 Retire o filtro de malha metálica.



- 4 Separe as duas partes do filtro com o auxílio das pegas.



- 5 Limpe o filtro metálico de gorduras.
- 6 Limpe o interior do aparelho.

## Limpeza dos filtros metálicos de gorduras

### ⚠ Perigo de incêndio!

A gordura acumulada no filtro pode incendiar-se. **Limpar o filtro de gorduras pelo menos de 2 em 2 meses.**

Nunca utilizar o aparelho sem filtro de gorduras.

### Notas

- Evitar produtos de limpeza agressivos, com teor de acidez ou de lixívia.
- Na limpeza dos filtros metálicos de gorduras, limpar também o seu dispositivo de fixação no aparelho com um pano húmido.
- Os filtros metálicos de gorduras podem ser lavados na máquina de lavar loiça ou manualmente.

### Na máquina de lavar louça:

**Nota:** Durante a limpeza na máquina de lavar louça, podem ocorrer ligeiras alterações de cor. Isso não influencia o funcionamento dos filtros metálicos de gorduras.

- Não limpe filtros metálicos de gorduras bastante sujos juntamente com a louça.
- Remova previamente a sujidade forte à mão.
- Coloque os filtros metálicos de gorduras de modo folgado na máquina de lavar louça. Os filtros metálicos de gorduras não podem ficar presos.

### À mão:

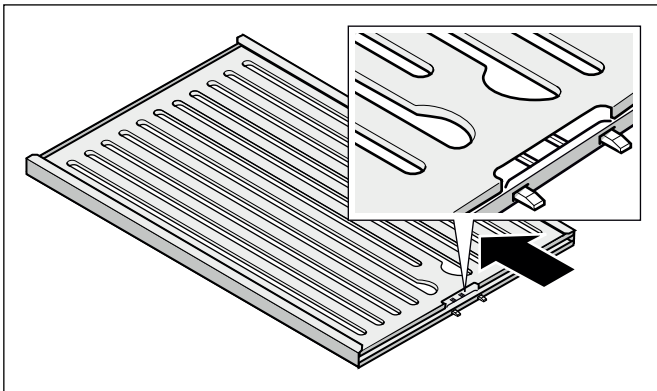
- Coloque os filtros metálicos de gorduras numa solução quente à base de detergente.
- Para limpar, utilize uma escova e, em seguida, enxague bem os filtros.
- Deixe os filtros metálicos de gorduras secar.



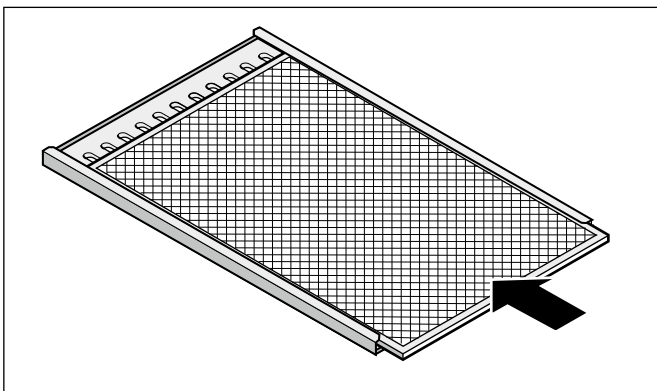
**Nota:** No caso de sujidade grosseira, pode utilizar um desengordurante especial. Este pode ser encomendado através da loja online (n.º artigo 00311297). Pulverize os filtros metálicos de gorduras sujos com o desengordurante e deixe-o atuar até 5 minutos. Depois disso, lave minuciosamente. Tenha também em atenção as indicações de aplicação do produto de limpeza.

## Montar o filtro metálico de gorduras

- 1 Encaixe as duas partes do filtro. Verifique o correto posicionamento da abertura no canto.



- 2 Introduza o filtro de malha metálica até ao batente.



- 3 Coloque o filtro metálico de gorduras, com o dispositivo de fecho virado para a frente, na parte inferior do aparelho e encaixe o dispositivo de fecho.

**Nota:** Ao colocar o filtro, certifique-se de que o dispositivo de fecho encaixa corretamente. Caso contrário, o filtro metálico de gorduras pode cair e danificar a placa de cozinhar.

- 4 Prima a tecla . O indicador de saturação está repostos.

## Mudar o filtro de carvão ativo (só para funcionamento com recirculação de ar)

### Perigo de ferimentos!

Perigo de queda durante a substituição do filtro. Utilize um escadote estável.

Para garantir a retenção de odores, necessita de trocar o filtro de carvão ativo com regularidade.

No caso de uma utilização ocasional ou pouco frequente: trocar o filtro de carvão ativo o mais tardar após 18 meses ou em caso de odores no ar evacuado.

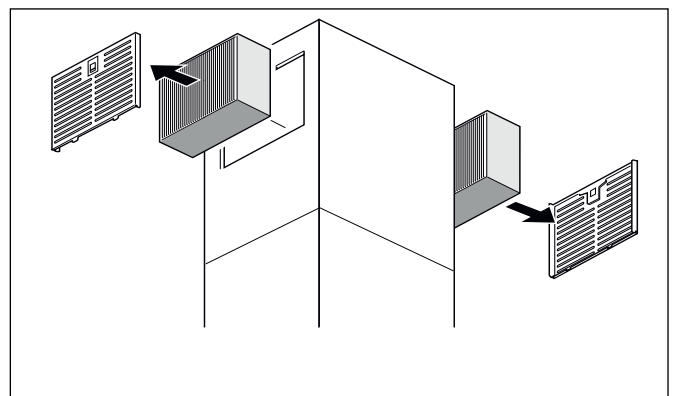
No caso de uma utilização diária ou muito frequente: trocar o filtro de carvão ativo o mais tardar após 12 meses ou em caso de odores no ar evacuado.

### Notas

- Os filtros de carvão ativo estão incluídos no âmbito de fornecimento do kit de ar circulante AA 442 810. Os filtros de carvão ativo adicionais podem ser obtidos no comércio especializado com a referência AA 442 110 (embalagem com 2 filtros).
- Substitua sempre dois filtros de carvão ativo.
- Os filtros de carvão ativo não podem ser limpos ou ativados novamente.
- Coloque os filtros de carvão ativos usados no lixo doméstico.

### Como proceder

- 1 Abra os bloqueios das duas grelhas de proteção e remova as grelhas.
- 2 Remova o filtro de carvão ativo usado.



- 3 Monte o filtro de carvão ativo novo.
- 4 Coloque a grelha de proteção.

---

## Falhas – o que fazer?

---

Muitas vezes, é fácil reparar as falhas sem a ajuda de terceiros. Observe as seguintes indicações antes de contactar o Serviço de Apoio ao Cliente.

### Perigo de choque eléctrico!

As reparações indevidas são perigosas. As reparações e substituições de cabos danificados só podem ser efectuadas por técnicos especializados do Serviço de Assistência Técnica. Se o aparelho estiver avariado, puxe a ficha da tomada ou desligue o disjuntor no quadro eléctrico. Contacte o Serviço de Assistência Técnica.


### Perigo de ferimentos!

A luz dos LED de iluminação é muito agressiva e pode provocar danos oculares (grupo de risco 1). Não olhe diretamente para as luzes LED acesas durante mais de 100 segundos.

### Lâmpadas LED

As lâmpadas LED avariadas só podem ser substituídas pelo fabricante, o respetivo serviço de assistência ou um técnico do concessionário (eletricista).

## Tabela de anomalias

Falha	Possível causa	Solução
O aparelho não funciona	A ficha não está ligada à corrente	Ligue o aparelho à corrente elétrica
	Falha de corrente	Verifique se os outros eletrodomésticos funcionam
	Falha do fusível	Verifique na caixa de fusíveis se o fusível correspondente ao aparelho não tem nenhum problema
O aparelho não funciona, todas as teclas piscam	A ficha do cabo de rede não está ligada à corrente	Verifique se os cabos de rede de todos os aparelhos estão ligados
	Falha do fusível	Verifique na caixa de fusíveis se os fusíveis correspondentes a todos os aparelhos estão em boas condições
	Um componente do aparelho está avariado	Contacte a assistência técnica
O aparelho não funciona	O aparelho está em funcionamento durante mais de 4 horas, a desativação de segurança é ativada	Voltar a ligar o aparelho
A iluminação do teclado não funciona	Falha da unidade de comando	Contacte a assistência técnica
A iluminação não funciona	A iluminação apresenta anomalia	Contactar a assistência técnica
A tecla  pisca	O filtro metálico está saturado	Limpe o filtro, consulte o capítulo <i>Limpeza e manutenção</i>

---

## Serviço de Apoio ao Cliente

---

Se o seu aparelho precisar de ser reparado, o nosso Serviço de Assistência Técnica está à sua disposição. Nós encontramos sempre uma solução adequada, também para evitar deslocações inúteis de técnicos.

Quando efetuar a chamada, indique o número de produto (N.º E) e o número de fabrico (N.º FD) do aparelho para podermos prestar um serviço de qualidade. A placa de características onde constam estas referências encontra-se no aparelho.

Para que, em caso de necessidade, não perca tempo a procurar, poderá inserir aqui os dados do seu aparelho e o número de telefone da assistência técnica.

---

N.º E

N.º FD

---

---

Assistência Técnica 

---

Tenha em atenção que a deslocação do técnico da assistência não é gratuita em caso de utilização incorreta do aparelho, mesmo durante o período de garantia.

Os dados para contacto com todos os países encontram-se no índice dos Serviços Técnicos anexo.

### Ordem de reparação e apoio em caso de anomalias

PT 21 4250 790

Confie na competência do fabricante. Terá assim a garantia que a reparação é efectuada por técnicos especializados do Serviço de Assistência Técnica, equipados com peças de substituição originais para o seu electrodoméstico.

---

## Πίνακας περιεχομένων

---

<b>Σημαντικές υποδείξεις ασφαλείας</b>	<b>37</b>
<b>Προστασία περιβάλλοντος</b>	<b>39</b>
Εξοικονόμηση ενέργειας	39
Απόσυρση σύμφωνα με τους κανόνες προστασίας του περιβάλλοντος	39
<b>Τρόποι λειτουργίας</b>	<b>40</b>
Λειτουργία εξαερισμού	40
Λειτουργία ανακυκλοφορίας αέρα	40
<b>Χειρισμός της συσκευής</b>	<b>40</b>
Χειρισμός της συσκευής	40
Ρύθμιση ανεμιστήρα	40
Εντατική βαθμίδα	41
Αυτόματη λειτουργία	41
Έλεγχος μέσω αισθητήρων	41
Ένδειξη κορεσμού	41
Φωτισμός	41
Διάταξη απενεργοποίησης ασφαλείας	41
<b>Καθαρισμός και συντήρηση</b>	<b>42</b>
<b>Βλάβες – Τι πρέπει να κάνετε</b>	<b>45</b>
<b>Σέρβις πελατών</b>	<b>46</b>

Περαιτέρω πληροφορίες για τα προϊόντα, τα εξαρτήματα, τα ανταλλακτικά και το σέρβις θα βρείτε στο διαδίκτυο (Internet): [www.gaggenau-home.com](http://www.gaggenau-home.com) και στο online-shop: [www.gaggenau-eshop.com](http://www.gaggenau-eshop.com)

## ⚠ Σημαντικές υποδείξεις ασφαλείας

Διαβάστε προσεκτικά αυτές τις οδηγίες. Μόνο τότε μπορείτε να χειριστείτε τη συσκευή σίγουρα και σωστά. Φυλάξτε τις οδηγίες χρήσης και συναρμολόγησης για μια αργότερη χρήση ή για τον επόμενο ιδιοκτήτη.

Μόνο με τη σωστή εγκατάσταση σύμφωνα με τις οδηγίες τοποθέτησης εξασφαλίζεται η ασφάλεια κατά τη χρήση. Ο εγκαταστάτης είναι υπεύθυνος για την άψογη λειτουργία στη θέση τοποθέτησης.

Αυτή η συσκευή προορίζεται μόνο για την οικιακή χρήση και το οικιακό περιβάλλον. Η συσκευή δεν προορίζεται για λειτουργία στον εξωτερικό χώρο. Κατά τη διάρκεια της λειτουργίας επιτηρείτε τη συσκευή. Ο κατασκευαστής δεν αναλαμβάνει καμία ευθύνη για ζημιές από ακατάλληλη χρήση ή λάθος χειρισμό.

Αυτή η συσκευή προορίζεται για χρήση μέχρι ένα μέγιστο ύψος 2.000 μέτρων πάνω από την επιφάνεια της θάλασσας.

Αυτή η συσκευή επιτρέπεται να χρησιμοποιηθεί από παιδιά άνω των 8 ετών και από άτομα με μειωμένες φυσικές, αισθητήριες ή πνευματικές ικανότητες ή με ανεπαρκή εμπειρία ή γνώση, όταν επιτηρούνται ή εάν έχουν λάβει σχετικές οδηγίες για την ασφαλή χρήση της συσκευής από ένα άτομο που είναι υπεύθυνο για την ασφάλειά τους και έχουν κατανοήσει τους κινδύνους που μπορούν να προκύψουν.

Τα παιδιά δεν επιτρέπεται να παίζουν με τη συσκευή. Ο καθαρισμός και η συντήρηση από το χρήστη δεν επιτρέπεται να πραγματοποιηθούν από παιδιά, εκτός εάν είναι 8 ετών και άνω και επιτηρούνται.

Κρατάτε τα παιδιά που είναι κάτω των 8 ετών μακριά από τη συσκευή και το καλώδιο σύνδεσης.

Μετά την αφαίρεση από τη συσκευασία, ελέγξτε τη συσκευή. Σε περίπτωση ζημιάς κατά τη μεταφορά μην την συνδέσετε.

Αυτή η συσκευή δεν προορίζεται για τη λειτουργία με έναν εξωτερικό χρονοδιακόπτη ή ένα τηλεχειριστήριο.

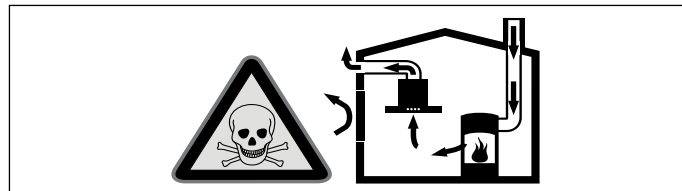
### Κίνδυνος ασφυξίας!

Τα υλικά της συσκευασίας είναι επικίνδυνα για τα παιδιά. Μην αφήνετε τα παιδιά να παίζουν ποτέ με τα υλικά συσκευασίας.

### Κίνδυνος θανάτου!

Τα επαναρροφούμενα αέρια καύσης μπορούν να προκαλέσουν δηλητηριάσεις.

Φροντίζετε πάντοτε για επαρκή παροχή αέρα, όταν η συσκευή χρησιμοποιείται στη λειτουργία εξαερισμού ταυτόχρονα με μια εστία, εξαρτημένη από τον αέρα του περιβάλλοντος.

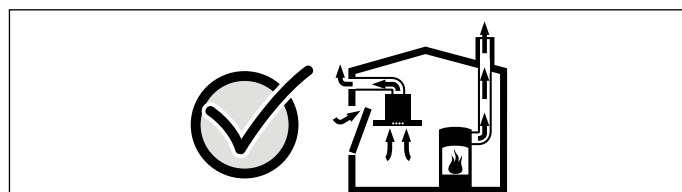


Εστίες, εξαρτημένες από τον αέρα του περιβάλλοντος (π.χ. συσκευές θέρμανσης που λειτουργούν με αέριο, πετρέλαιο, ξύλο ή άνθρακα, ταχυθερμοσίφωνες, θερμαντήρες νερού) λαμβάνουν τον αέρα για καύση από το χώρο τοποθέτησης και οδηγούν τα καυσαέρια μέσα από μια εγκατάσταση απαγωγής των καυσαερίων (π.χ. καμινάδα) στον έξω χώρο.

Σε συνδυασμό με έναν ενεργοποιημένο απορροφητήρα αφαιρείται αέρας από την κουζίνα και τους γειτονικούς χώρους - χωρίς επαρκή παροχή αέρα δημιουργείται μια υποπίεση. Τα δηλητηριώδη αέρια από την καμινάδα ή τον απορροφητήρα επιστρέφουν πίσω στα δωμάτια του σπιτιού.

- Γι' αυτό πρέπει να φροντίζετε πάντοτε για επαρκή παροχή αέρα.
- Ένα εντοιχιζόμενο κιβώτιο αερισμού/εξαερισμού μόνο του, δεν εξασφαλίζει την τήρηση της οριακής τιμής.

Μια ακίνδυνη λειτουργία είναι δυνατή μόνο τότε, όταν η υποπίεση στο χώρο τοποθέτησης της εστίας δεν υπερβαίνει τα 4 Pa (0,04 mbar). Αυτό επιτυγχάνεται, όταν μέσω μη κλεινόμενων ανοιγμάτων, π.χ. στις πόρτες, στα παράθυρα, σε συνδυασμό με ένα εντοιχιζόμενο κιβώτιο αερισμού/εξαερισμού ή με άλλα τεχνικά μέτρα, μπορεί να αναπληρωθεί ο απαραίτητος αέρας που χρειάζεται για την καύση.



Ζητήστε σε κάθε περίπτωση τη συμβουλή του αρμόδιου καπνοδοχοκαθαριστή, ο οποίος μπορεί να εκτιμήσει το συνολικό σύστημα αερισμού του σπιτιού και να σας προτείνει το κατάλληλο μέτρο αερισμού.

Εάν ο απορροφητήρας λειτουργεί αποκλειστικά στην λειτουργία ανακυκλοφορίας αέρα, τότε η λειτουργία είναι δυνατή χωρίς περιορισμό.

### **Κίνδυνος πυρκαγιάς!**

- Οι εναποθέσεις λίπους στο φίλτρο του λίπους μπορούν να αναφλεγούν.

#### **Καθαρίζετε το φίλτρο του λίπους το λιγότερο κάθε 2 μήνες.**

Μη λειτουργείτε τη συσκευή ποτέ χωρίς το φίλτρο του λίπους.

- Οι εναποθέσεις λίπους στο φίλτρο του λίπους μπορούν να αναφλεγούν. Κοντά στη συσκευή μη δουλεύετε ποτέ με ανοιχτή φλόγα (π.χ. φλαμπέ). Εγκαταστήστε τη συσκευή κοντά σε μια εστία για στερεά υλικά καύσης (π.χ. ξύλα ή κάρβουνα), μόνο τότε, όταν υπάρχει ένα κλειστό, μη αφαιρούμενο κάλυμμα. Δεν επιτρέπεται να δημιουργούνται καθόλου σπινθήρες.
- Το καυτό λάδι και λίπος παίρνουν γρήγορα φωτιά. Μην αφήνετε ποτέ χωρίς επιτήρηση το καυτό λάδι και λίπος. Μην σβήνετε ποτέ τη φωτιά με νερό. Απενεργοποιήστε την εστία μαγειρέματος. Σβήνετε τις φλόγες προσεκτικά με ένα καπάκι, μια κουβέρτα πυρόσβεσης ή κάτι παρόμοιο.
- Οι εστίες μαγειρέματος αερίου, χωρίς τοποθετημένα πάνω μαγειρικά σκεύη, δημιουργούν κατά τη λειτουργία μεγάλη θερμότητα. Μια από πάνω τοποθετημένη συσκευή εξαερισμού μπορεί να υποστεί ζημιά ή να πιάσει φωτιά. Λειτουργείτε τις εστίες μαγειρέματος αερίου μόνο με τοποθετημένα πάνω μαγειρικά σκεύη.
- Σε περίπτωση ταυτόχρονης λειτουργίας περισσότερων εστιών αερίου δημιουργείται μεγάλη θερμότητα. Η συσκευή εξαερισμού μπορεί να υποστεί ζημιά ή να πιάσει φωτιά. Η συσκευή εξαερισμού επιτρέπεται να συνδυαστεί μόνο με εστίες μαγειρέματος αερίου, που δεν υπερβαίνουν μια μέγιστη συνολική ισχύ 18 kW. Σε περίπτωση υπέρβασης της συνολικής ισχύος των 12 kW πρέπει να τηρηθούν οι τοπικές διατάξεις σχετικά με τον εξαερισμό του χώρου, το

μέγεθος του χώρου και το συνδυασμό με συσκευές εξαερισμού με λειτουργία εξαερισμού ή ανακυκλοφορίας του αέρα.

### **Κίνδυνος εγκαύματος!**

Τα προσιτά μέρη/εξαρτήματα ζεσταίνονται πολύ κατά τη λειτουργία. Μην ακουμπάτε ποτέ τα καυτά μέρη/εξαρτήματα. Κρατάτε τα παιδιά μακριά.

### **Κίνδυνος τραυματισμού!**

- Ακμές της συσκευής στην περιοχή του κεφαλιού. Μην χτυπήσετε με το κεφάλι πάνω στη συσκευή. Κατά το μαγείρεμα προσέξτε να υπάρχει επαρκής χώρος για το κεφάλι.
- Τα εξαρτήματα στο εσωτερικό της συσκευής μπορεί να είναι κοφτερά. Φοράτε προστατευτικά γάντια.
- Αντικείμενα που έχουν τοποθετηθεί επάνω στη συσκευή μπορούν να πέσουν. Μην τοποθετείτε κανένα αντικείμενο επάνω στη συσκευή.
- Το φως των λυχνιών φωτοδιόδων (LED) είναι πολύ ζηηρό και μπορεί να προκαλέσει βλάβη στα μάτια (ομάδα κινδύνου 1). Μην κοιτάτε περισσότερο από 100 δευτερόλεπτα απευθείας στις ενεργοποιημένες λυχνίες φωτοδιόδων (LED).

### **Κίνδυνος ηλεκτροπληξίας!**

- Μια ελαττωματική συσκευή μπορεί να προκαλέσει μια ηλεκτροπληξία. Μην ενεργοποιείτε ποτέ μια χαλασμένη συσκευή. Τραβήξτε το ρευματολήπτη (φίς) από την πρίζα ή κατεβάστε/ξεβιδώστε την ασφάλεια στο κιβώτιο των ασφαλειών. Καλέστε την υπηρεσία τεχνικής εξυπηρέτησης πελατών.
- Οι ακατάλληλες επισκευές είναι επικίνδυνες. Μόνο ένας τεχνικός του τμήματος εξυπηρέτησης πελατών, εκπαιδευμένος από εμάς, επιτρέπεται να εκτελέσει τις επισκευές και να αντικαταστήσει τα χαλασμένα καλώδια σύνδεσης. Εάν η συσκευή έχει βλάβη, τραβήξτε το ρευματολήπτη (φίς) από την πρίζα ή κατεβάστε/ξεβιδώστε την ασφάλεια στο κιβώτιο των ασφαλειών. Καλέστε την υπηρεσία τεχνικής εξυπηρέτησης πελατών.
- Μια εισχώρηση υγρασίας μπορεί να προκαλέσει μια ηλεκτροπληξία. Μην χρησιμοποιείτε συσκευές καθαρισμού υψηλής πίεσης ή συσκευές εκτόξευσης ατμού.

## Αιτίες για τις ζημιές

### Προσοχή!

Κίνδυνος ζημιάς λόγω διάβρωσης. Ενεργοποιείτε πάντοτε τη συσκευή στο μαγείρεμα, για να αποφύγετε τη δημιουργία υγρασίας. Η υγρασία μπορεί να προκαλέσει ζημιές διάβρωσης.

Κίνδυνος ζημιάς λόγω εισερχόμενης υγρασίας στο ηλεκτρονικό σύστημα. Μην καθαρίζετε ποτέ τα στοιχεία χειρισμού με υγρό πανί.

Ζημιές στην επιφάνεια από λάθος καθαρισμό. Καθαρίζετε τις επιφάνειες ανοξείδωτου χάλυβα μόνο στην κατεύθυνση λείανσης. Για τα στοιχεία χειρισμού μη χρησιμοποιείτε υλικά καθαρισμού ανοξείδωτου χάλυβα.

Ζημιές στην επιφάνεια από υλικά τριψίματος ή τραχιά υλικά καθαρισμού. Μη χρησιμοποιείτε ποτέ υλικά τριψίματος ή τραχιά υλικά καθαρισμού.

Κίνδυνος ζημιάς λόγω επιστροφής συμπληκνώματος. Εγκαταστήστε το κανάλι εξαερισμού, αρχίζοντας από τη συσκευή, με μια ελαφριά κλίση (κλίση 1°).

## Προστασία περιβάλλοντος

Η νέα σας συσκευή είναι ιδιαίτερα ενεργειακά αποτελεσματική. Επιπλέον θα βρείτε συμβουλές, πως μπορείτε με τη συσκευή σας να εξοικονομήσετε ακόμα περισσότερη ενέργεια και πως πρέπει να την αποσύρετε σύμφωνα με τους κανόνες προστασίας του περιβάλλοντος.

### Εξοικονόμηση ενέργειας

- Ενεργοποιήστε τον αερισμό μόνο, όταν είναι απαραίτητο. Όταν ζεσταίνετε κάτι μόνο για λίγο, που δε μυρίζει δυνατά, μπορείτε να αφήσετε τον αερισμό επίσης και απενεργοποιημένο.
- Επιλέξτε μια βαθμίδα ανεμιστήρα, προσαρμοσμένη στις εκάστοτε συνθήκες.
- Μετά το μαγείρεμα απενεργοποιήστε ξανά τον αερισμό.
- Καθαρίζετε τακτικά το φίλτρο του λίπους, αυτό αυξάνει την αποτελεσματικότητα του αερισμού.
- Απενεργοποιήστε το φωτισμό της συσκευής σε περίπτωση που δε χρησιμοποιείται.

### Απόσυρση σύμφωνα με τους κανόνες προστασίας του περιβάλλοντος

Αποσύρετε τη συσκευασία σύμφωνα με τους κανόνες προστασίας του περιβάλλοντος.



Αυτή η συσκευή χαρακτηρίζεται σύμφωνα με την ευρωπαϊκή οδηγία 2012/19/ΕΕ περί ηλεκτρικών και ηλεκτρονικών συσκευών (waste electrical and electronic equipment - WEEE).

Η οδηγία προκαθορίζει τα πλαίσια για μια απόσυρση και αξιοποίηση των παλιών συσκευών με ισχύ σ' όλη την ΕΕ.

## Τρόποι λειτουργίας

Αυτή τη συσκευή μπορείτε να την χρησιμοποιήσετε στη λειτουργία εξαερισμού ή στη λειτουργία ανακυκλοφορίας αέρα.

### Λειτουργία εξαερισμού



Ο απορροφούμενος αέρας καθαρίζεται από τα φίλτρα λίπους και διοχετεύεται μέσω ενός συστήματος σωλήνων στον έξω χώρο.

**Υπόδειξη:** Ο αέρας απαγωγής δεν επιτρέπεται να διοχετευθεί σε καμινάδα καπνού ή καυσαερίων που βρίσκεται σε λειτουργία ούτε σε αγωγό, ο οποίος χρησιμεύει στον εξαερισμό των χώρων τοποθέτησης με εστίες.

- Σε περίπτωση που ο αέρας απαγωγής πρόκειται να διοχετευθεί σε καμινάδα καπνού ή καυσαερίων που δεν βρίσκεται σε λειτουργία, είναι απαραίτητη η έγκριση του αρμοδίου καπνοδοχοκαθαριστή.
- Εάν ο αέρας απαγωγής διοχετεύεται στο ύπαιθρο μέσω του εξωτερικού τοίχου, θα πρέπει να χρησιμοποιηθεί ένα τηλεσκοπικό, εντοιχιζόμενο κιβώτιο.

### Λειτουργία ανακυκλοφορίας αέρα



Ο απορροφούμενος αέρας καθαρίζεται από τα φίλτρα λίπους και ένα φίλτρο ενεργού άνθρακα και οδηγείται ξανά στην κουζίνα.

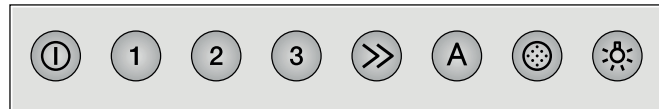
**Υπόδειξη:** Για να εξουδετερώσετε τις οσμές στην λειτουργία ανακυκλοφορίας αέρα, πρέπει να τοποθετήσετε ένα φίλτρο ενεργού άνθρακα. Τις διάφορες δυνατότητες χειρισμού της συσκευής στη λειτουργία ανακυκλοφορίας αέρα, θα τις βρείτε στο αντίστοιχο φυλλάδιο ή απευθυνθείτε στα ειδικά καταστήματα. Τα απαραίτητα γι' αυτό εξαρτήματα μπορείτε να τα προμηθευτείτε στα ειδικά καταστήματα, στην υπηρεσία τεχνικής εξυπηρέτησης πελατών ή στο online-shop.

## Χειρισμός της συσκευής

**Υπόδειξη:** Ενεργοποιήστε τον απορροφητήρα στην αρχή του μαγειρέματος και απενεργοποιήστε τον ξανά μερικά λεπτά μετά το τέλος του μαγειρέματος. Οι ατμοί της κουζίνας απομακρύνονται έτσι αποτελεσματικότερα.

### Χειρισμός της συσκευής

#### Πεδίο χειρισμού



#### Επεξήγηση

ⓘ	Ανεμιστήρας On/Off
1	Βαθμίδα ανεμιστήρα 1
2	Βαθμίδα ανεμιστήρα 2
3	Βαθμίδα ανεμιστήρα 3
>>	Εντατική βαθμίδα
A	Αυτόματη λειτουργία
⊙	Ένδειξη κορεσμού
☀	Φως On/Off/Ρύθμιση έντασης

### Ρύθμιση ανεμιστήρα

**Υπόδειξη:** Προσαρμόστε την ένταση του ανεμιστήρα πάντοτε στις τρέχουσες συνθήκες. Σε περίπτωση μεγάλης δημιουργίας υδρατμών επιλέξτε επίσης μια υψηλή βαθμίδα ανεμιστήρα.

#### Ενεργοποίηση

- 1 Πατήστε το πλήκτρο ⓘ.  
Ο ανεμιστήρας ξεκινά στη βαθμίδα 2.
- 2 Πατήστε το πλήκτρο 1, 2, 3 ή >>, για να ρυθμίσετε την αντίστοιχη βαθμίδα του ανεμιστήρα.

#### Απενεργοποίηση



Πατήστε το πλήκτρο ⓘ.



## Εντατική βαθμίδα

Σε περίπτωση ιδιαίτερα μεγάλης δημιουργίας οσμών και υδρατμών μπορείτε να χρησιμοποιήσετε την εντατική βαθμίδα.

### Ενεργοποίηση

- 1 Πατήστε το πλήκτρο .  
Ο ανεμιστήρας ξεκινά στη βαθμίδα 2.
- 2 Πατήστε το πλήκτρο .  
Η εντατική βαθμίδα είναι ενεργοποιημένη.

**Υπόδειξη:** Ο χρόνος λειτουργίας της εντατικής βαθμίδας ανέρχεται στα 6 λεπτά. Μετά τη λήξη αυτού του χρόνου περνά η συσκευή ξανά στην επιλεγμένη προηγούμενης βαθμίδα του ανεμιστήρα.



### Απενεργοποίηση

Πατήστε το πλήκτρο  ή το πλήκτρο μιας άλλης βαθμίδας ανεμιστήρα.

Η εντατική βαθμίδα τερματίζεται.

## Αυτόματη λειτουργία

### Ενεργοποίηση

- 1 Πατήστε το πλήκτρο .  
Ο ανεμιστήρας ξεκινά στη βαθμίδα ανεμιστήρα 2.
- 2 Πατήστε το πλήκτρο .  
Η ιδανική βαθμίδα ανεμιστήρα 1, 2 ή 3 ρυθμίζεται αυτόματα με τη βοήθεια ενός αισθητήρα.

### Απενεργοποίηση

Πατήστε το πλήκτρο  ή το πλήκτρο .

Ο αυτόματος τρόπος λειτουργίας είναι απενεργοποιημένος.

Ο ανεμιστήρας απενεργοποιείται αυτόματα, όταν η ποιότητα του αέρα περιβάλλοντος έχει πέσει κάτω από ένα ορισμένο επίπεδο. Ο χρόνος λειτουργίας της αυτόματης λειτουργίας ανέρχεται το πολύ σε 4 ώρες.

## Έλεγχος μέσω αισθητήρων

Στην αυτόματη λειτουργία, ένας αισθητήρας στον απορροφητήρα αναγνωρίζει την ένταση των οσμών μαγειρέματος και ψησίματος. Ανάλογα με τη ρύθμιση του αισθητήρα, ο ανεμιστήρας περνά αυτόματα σε μια άλλη βαθμίδα ανεμιστήρα.



Ρύθμιση εργοστασίου της ευαισθησίας: 2

Χαμηλότερη ρύθμιση της ευαισθησίας: 1

Υψηλότερη ρύθμιση της ευαισθησίας: 4

## Αλλαγή της ρύθμισης της ευαισθησίας των αισθητήρων


Εάν ο έλεγχος μέσω αισθητήρων αντιδρά πολύ γρήγορα ή πολύ αργά, αλλάξτε τη ρύθμιση της ευαισθησίας.


- 1 Με απενεργοποιημένο τον ανεμιστήρα κρατήστε πατημένο το πλήκτρο  περίπου για 4 δευτερόλεπτα.  
Η ρύθμιση εμφανίζεται στην ένδειξη.
- 2 Πατήστε το πλήκτρο 1, 2, 3 ή , για να αλλάξετε τη ρύθμιση της ευαισθησίας.

Πλήκτρο 1 = Ευαισθησία 1

Πλήκτρο 2 = Ευαισθησία 2

Πλήκτρο 3 = Ευαισθησία 3

Πλήκτρο  = Ευαισθησία 4

- 3 Κρατήστε πατημένο το πλήκτρο  περίπου για 4 δευτερόλεπτα.  
Η αλλαγή έχει αποθηκευτεί.

## Ένδειξη κορεσμού

Σε περίπτωση κορεσμού των μεταλλικών φίλτρων λίπους αναβοσβήνει το πλήκτρο .

Το αργότερο τώρα θα πρέπει να καθαριστούν τα μεταλλικά φίλτρα λίπους.

Τον τρόπο καθαρισμού των μεταλλικών φίλτρων λίπους, θα τον βρείτε στο κεφάλαιο Καθαρισμός και συντήρηση.

### Επαναφορά της ένδειξης κορεσμού

Πατήστε το πλήκτρο .

## Φωτισμός

Το φωτισμό μπορείτε να τον ενεργοποιείτε και να τον απενεργοποιείτε ανεξάρτητα από τον αερισμό.

### Ενεργοποίηση ή απενεργοποίηση

Πατήστε το πλήκτρο .

### Ρύθμιση της φωτεινότητας

Κρατήστε πατημένο το πλήκτρο , μέχρι να επιτευχθεί η επιθυμητή φωτεινότητα.

## Διάταξη απενεργοποίησης ασφαλείας

Για την προστασία σας η συσκευή είναι εξοπλισμένη με μια διάταξη απενεργοποίησης ασφαλείας. Ο φωτισμός απενεργοποιείται μετά από 12 ώρες και ο ανεμιστήρας μετά από 4 ώρες, όταν μέσα σ' αυτό το χρονικό διάστημα δε λάβει χώρα κανένας χειρισμός.

## Καθαρισμός και συντήρηση

### Κίνδυνος εγκαύματος!

Η συσκευή θερμαίνεται πολύ κατά τη διάρκεια της λειτουργίας. Πριν τον καθαρισμό αφήστε τη συσκευή να κρυώσει.

### Κίνδυνος ηλεκτροπληξίας!

Η εισχώρηση υγρασίας μπορεί να προκαλέσει μια ηλεκτροπληξία. Καθαρίστε τη συσκευή μόνο μ' ένα υγρό πανί. Πριν τον καθαρισμό τραβήξτε το ρευματολήπτη (φίς) από την πρίζα ή κατεβάστε/ξεβιδώστε την ασφάλεια στο κιβώτιο των ασφαλειών.

### Κίνδυνος ηλεκτροπληξίας!

Μια εισχώρηση υγρασίας μπορεί να προκαλέσει μια ηλεκτροπληξία. Μη χρησιμοποιείτε συσκευές καθαρισμού υψηλής πίεσης ή συσκευές εκτόξευσης ατμού.

### Κίνδυνος τραυματισμού!

Τα εξαρτήματα στο εσωτερικό της συσκευής μπορεί να είναι κοφτερά. Φοράτε προστατευτικά γάντια.

## Υλικά καθαρισμού

Για να μην υποστούν ζημιές οι διάφορες επιφάνειες από λάθος υλικό καθαρισμού, προσέξτε τα στοιχεία που αναφέρονται στον πίνακα. Μη χρησιμοποιείτε

- ισχυρά καθαριστικά ή υλικά τριψίματος,
- ισχυρά αλκοολούχα καθαριστικά,
- σκληρά σύρματα τριψίματος ή σφουγγάρια καθαρισμού,
- συσκευές καθαρισμού υψηλής πίεσης ή συσκευές εκτόξευσης ατμού.

Πριν τη χρήση πλύνετε καλά τα καινούργια σφουγγαρόπανα.

Προσέξτε όλες τις οδηγίες και προειδοποιήσεις, που συνοδεύουν τα απορρυπαντικά.

Περιοχή	Υλικά καθαρισμού
Ανοξείδωτος χάλυβας	Ζεστό διάλυμα απορρυπαντικού πιάτων: Καθαρίστε μ' ένα πανί καθαρισμού και στεγνώστε μ' ένα μαλακό πανί. Καθαρίζετε τις επιφάνειες ανοξείδωτου χάλυβα μόνο στην κατεύθυνση λείανσης. Στην υπηρεσία τεχνικής εξυπηρέτησης πελατών ή στα ειδικά καταστήματα μπορείτε να προμηθευτείτε τα ειδικά υλικά φροντίδας ανοξείδωτου χάλυβα. Απλώστε πολύ λεπτά το υλικό συντήρησης μ' ένα μαλακό πανί.
Αλουμίνιο και συνθετικό υλικό	Υγρό καθαρισμού τζαμιών: Καθαρίστε με ένα μαλακό πανί.
Γυαλί	Υγρό καθαρισμού τζαμιών: Καθαρίστε με ένα μαλακό πανί. Μη χρησιμοποιείτε ξύστρες γυαλιού.
Στοιχεία χειρισμού	Ζεστό διάλυμα απορρυπαντικού πιάτων: Καθαρίστε μ' ένα υγρό πανί καθαρισμού και στεγνώστε μ' ένα μαλακό πανί. Κίνδυνος ζημιάς του ηλεκτρονικού συστήματος λόγω εισερχόμενης υγρασίας. Μη καθαρίζετε ποτέ τα στοιχεία χειρισμού με υγρό πανί. Μη χρησιμοποιείτε καθαριστικά ανοξείδωτου χάλυβα.

### **Απολιπαντικό (αριθμός προϊόντος 00311297)**

Εντατικό απολιπαντικό για την αποτελεσματική απομάκρυνση των εναποθέσεων λίπους στον απορροφητήρα. Ιδανικό για την προετοιμασία των μεταλλικών φίλτρων λίπους.

### **Πανιά φροντίδας για επιφάνειες ανοξείδωτου χάλυβα (αριθμός προϊόντος 00311134)**

Για την φροντίδα των επιφανειών ανοξείδωτου χάλυβα. Εμποτισμένα με ειδικό λάδι, παρεμποδίζεται η συγκέντρωση ρύπανσης και τα ίχνη δακτυλικών αποτυπωμάτων.

## Αφαίρεση του μεταλλικού φίλτρου λίπους

### ⚠ Κίνδυνος τραυματισμού!

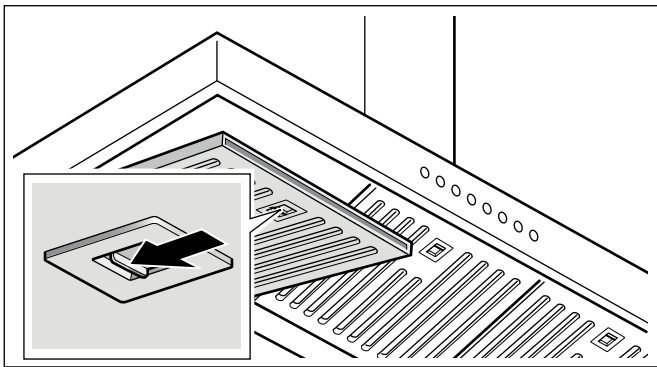
Τα μεταλλικά φίλτρα λίπους και τα εξαρτήματα στο εσωτερικό της συσκευής μπορεί να είναι κοφτερά. Φοράτε προστατευτικά γάντια.

### ⚠ Κίνδυνος τραυματισμού!

Τα μεταλλικά φίλτρα λίπους είναι πολύ βαριά. Αφαιρέστε προσεκτικά τα μεταλλικά φίλτρα λίπους και φροντίστε να μην πέσουν κάτω.

Το μεταλλικό φίλτρο λίπους αποτελείται από τρία μέρη. Για ευκολία στον καθαρισμό μπορείτε να αποσυναρμολογήσετε τα μεταλλικά φίλτρα λίπους.

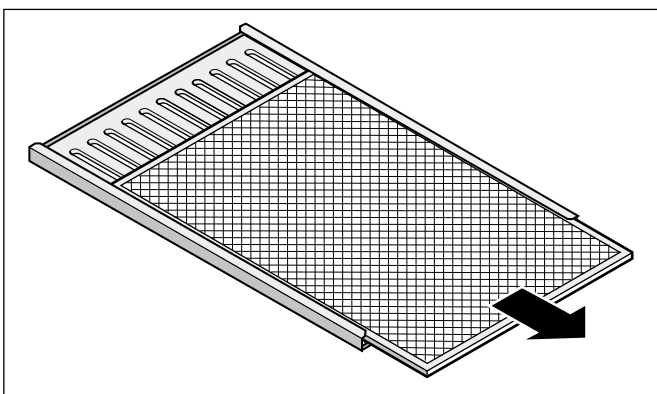
- 1 Ανοίξτε τημανδάλωση και αναδιπλώστε το μεταλλικό φίλτρο λίπους προς τα κάτω. Το μεταλλικό φίλτρο λίπους για τη δική σας ασφάλεια είναι στην πίσω ακμή ασφαλισμένο.



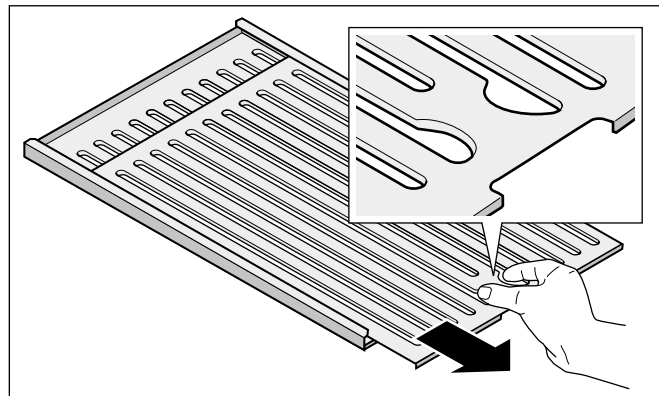
- 2 Σηκώστε ελαφρά το μεταλλικό φίλτρο λίπους στην μπροστινή ακμή, ώσπου να μπορεί να τραβηχτεί έξω από το στήριγμα.

**Υπόδειξη:** Λίπος μπορεί να έχει συσσωρευτεί στο κάτω μέρος στο μεταλλικό φίλτρο λίπους. Κρατάτε οριζόντιο το μεταλλικό φίλτρο λίπους, για να αποφύγετε το στάξιμο του λίπους.

- 3 Τραβήξτε έξω το φίλτρο μεταλλικού πλέγματος.



- 4 Χωρίστε μεταξύ τους τα δύο μέρη του φίλτρου με τη βοήθεια των εσοχών λαβής.



- 5 Καθαρίστε το μεταλλικό φίλτρο λίπους.

- 6 Καθαρίστε τη συσκευή εσωτερικά.

## Καθαρισμός των μεταλλικών φίλτρων λίπους

### ⚠ Κίνδυνος πυρκαγιάς!

Οι εναποθέσεις λίπους στο φίλτρο του λίπους μπορούν να αναφλεγούν.

**Καθαρίζετε το φίλτρο του λίπους το λιγότερο κάθε 2 μήνες.**

Μη λειτουργείτε τη συσκευή ποτέ χωρίς το φίλτρο του λίπους.

### Υποδείξεις

- Μη χρησιμοποιείτε δραστικά μέσα καθαρισμού που περιέχουν οξέα ή βάσεις.
- Κατά τον καθαρισμό των μεταλλικών φίλτρων λίπους καθαρίζετε επίσης τη συγκράτηση των μεταλλικών φίλτρων λίπους στη συσκευή μ' ένα βρεγμένο πανί.
- Τα μεταλλικά φίλτρα λίπους μπορείτε να τα πλένετε στο πλυντήριο πιάτων ή στο χέρι.

### Στο πλυντήριο πιάτων:

**Υπόδειξη:** Κατά τον καθαρισμό στο πλυντήριο των πιάτων μπορεί να εμφανιστούν ελαφρές αποχρώσεις. Αυτό δεν έχει καμία επιρροή πάνω στη λειτουργία των μεταλλικών φίλτρων λίπους.

- Μην καθαρίζετε τα πολύ λερωμένα μεταλλικά φίλτρα λίπους μαζί με τα σκεύη.
- Απομακρύνετε τη σκληρή ρύπανση προηγουμένως με το χέρι.
- Τοποθετείτε τα μεταλλικά φίλτρα λίπους χαλαρά μέσα στο πλυντήριο των πιάτων. Τα μεταλλικά φίλτρα λίπους δεν επιτρέπεται να μαγκωθούν.

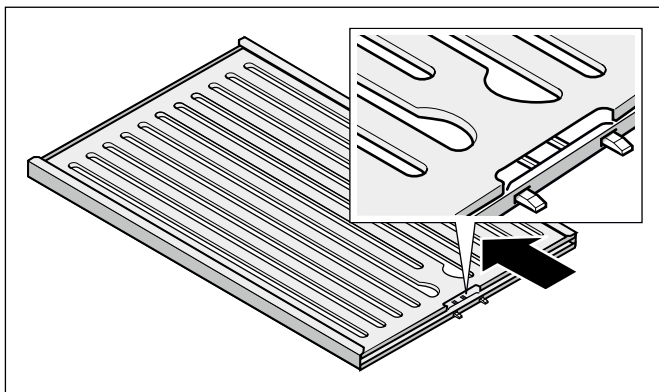
### Στο χέρι:

- Μουλιάστε τα μεταλλικά φίλτρα λίπους σε ζεστό διάλυμα απορρυπαντικού πιάτων.
- Χρησιμοποιήστε βούρτσα για τον καθαρισμό και ξεπλύντε μετά τα φίλτρα καλά.
- Αφήστε τα μεταλλικά φίλτρα λίπους να στραγγίξουν.

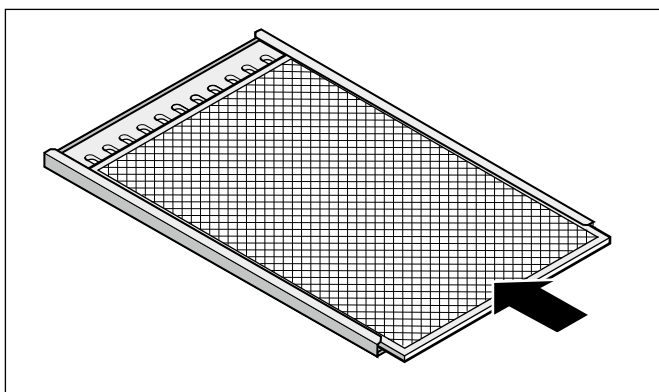
**Υπόδειξη:** Σε περίπτωση σκληρής ρύπανσης μπορείτε να χρησιμοποιήσετε ένα ειδικό απολιπαντικό. Μπορείτε να το παραγγείλετε μέσω του Online-Shop (αριθμός προϊόντος 00311297). Ψεκάστε μ' αυτό τα λερωμένα μεταλλικά φίλτρα λίπους και αφήστε το απολιπαντικό να δράσει μέχρι και 5 λεπτά. Μετά πλύντε καλά. Προσέξτε επίσης και τις υποδείξεις εφαρμογής του καθαριστικού.

## Τοποθέτηση του μεταλλικού φίλτρου λίπους

- 1 Πιέστε μεταξύ τους τα δύο μέρη του φίλτρου. Προσέξτε τη σωστή θέση του ανοίγματος στην άκρη.



- 2 Σπρώξτε μέσα το φίλτρο μεταλλικού πλέγματος μέχρι το τέρμα.



- 3 Τοποθετήστε το μεταλλικό φίλτρο λίπους με τη μανδάλωση προς τα εμπρός στην κάτω μεριά της συσκευής και ασφαλίστε τη μανδάλωση.

**Υπόδειξη:** Κατά την τοποθέτηση βεβαιωθείτε, ότι η μανδάλωση έχει ασφαλίσει. Διαφορετικά το μεταλλικό φίλτρο λίπους μπορεί να πέσει κάτω και να προκαλέσει ζημιά στη βάση εστιών.

- 4 Πατήστε το πλήκτρο . Η ένδειξη κορεσμού έχει επαναφερθεί (μηδενιστεί).

## Αλλαγή του φίλτρου ενεργού άνθρακα (μόνο στη λειτουργία ανακυκλοφορίας αέρα)

**⚠ Κίνδυνος τραυματισμού!**

Κίνδυνος πτώσης κατά την αντικατάσταση του φίλτρου. Χρησιμοποιήστε μια σταθερή διπλή σκάλα.

Για να εξασφαλιστεί το φίλτράρισμα των οσμών, πρέπει να αλλάζετε τακτικά το φίλτρο ενεργού άνθρακα.

Σε περίπτωση μικρής ή συμπτωματικής χρήσης: Το αργότερο μετά 18 μήνες ή σε περίπτωση οσμών στον εξερχόμενο αέρα αλλάξτε το φίλτρο ενεργού άνθρακα.

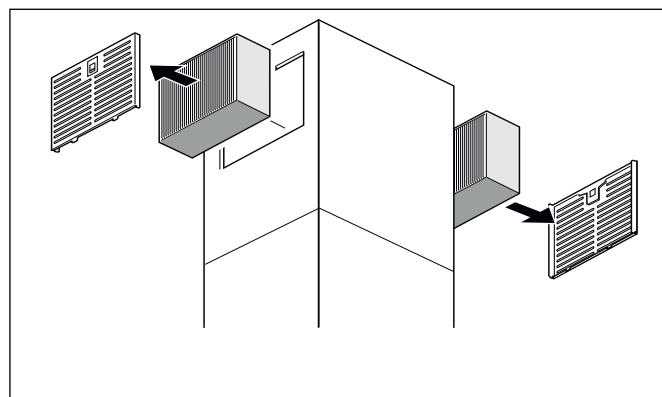
Σε περίπτωση καθημερινής ή μεγάλης χρήσης: Το αργότερο μετά 12 μήνες ή σε περίπτωση οσμών στον εξερχόμενο αέρα αλλάξτε το φίλτρο ενεργού άνθρακα.

### Υποδείξεις

- Τα φίλτρα ενεργού άνθρακα συμπεριλαμβάνονται στα υλικά παράδοσης του σετ ανακυκλοφορίας του αέρα AA 442 810. Πρόσθετα φίλτρα ενεργού άνθρακα μπορείτε να προμηθευτείτε στα ειδικά καταστήματα, στην υπηρεσία τεχνικής εξυπηρέτησης πελατών ή στο Online-Shop κάτω από τον αριθμό παραγγελίας AA 442 110 (συσκευασία με 2 φίλτρα).
- Αλλάζετε πάντοτε και τα δύο φίλτρα ενεργού άνθρακα.
- Τα φίλτρα ενεργού άνθρακα δεν μπορεί να καθαριστούν ή να ενεργοποιηθούν ξανά.
- Αποσύρετε τα μεταχειρισμένα φίλτρα ενεργού άνθρακα με τα οικιακά απορρίμματα.

### Ακολουθήστε την εξής διαδικασία

- 1 Ανοίξτε τις μανδάλωσεις στα δύο προστατευτικά πλέγματα και αφαιρέστε τα προστατευτικά πλέγματα.
- 2 Απομακρύνετε τα παλιά φίλτρα ενεργού άνθρακα.



- 3 Τοποθετήστε νέο φίλτρο ενεργού άνθρακα.
- 4 Τοποθετήστε τα προστατευτικά πλέγματα.

## Βλάβες – Τι πρέπει να κάνετε

Συχνά μπορείτε να επιδιορθώσετε εύκολα μόνοι σας τις παρουσιαζόμενες βλάβες. Προτού καλέσετε το σέρβις πελατών, προσέξτε τις ακόλουθες υποδείξεις.

### Κίνδυνος ηλεκτροπληξίας!

Οι ακατάλληλες επισκευές είναι επικίνδυνες. Μόνο ένας τεχνικός του τμήματος εξυπηρέτησης πελατών, εκπαιδευμένος από εμάς, επιτρέπεται να εκτελέσει τις επισκευές και να αντικαταστήσει τα χαλασμένα καλώδια σύνδεσης. Εάν η συσκευή έχει βλάβη, τραβήξτε το ρευματολήπτη (φίς) από την πρίζα ή κατεβάστε/ξεβιδώστε την ασφάλεια στο κιβώτιο των ασφαλειών. Καλέστε την υπηρεσία τεχνικής εξυπηρέτησης πελατών.


### Κίνδυνος τραυματισμού!

Το φως των λυχνιών φωτοδιόδων (LED) είναι πολύ ζωηρό και μπορεί να προκαλέσει βλάβη στα μάτια (ομάδα κινδύνου 1). Μην κοιτάτε περισσότερο από 100 δευτερόλεπτα απευθείας στις ενεργοποιημένες λυχνίες φωτοδιόδων (LED).

### Λυχνίες φωτοδιόδων (LED)

Οι χαλασμένες λυχνίες φωτοδιόδων (LED) επιτρέπεται να αντικατασταθούν μόνο από τον κατασκευαστή, την υπηρεσία τεχνικής εξυπηρέτησης πελατών ή έναν αδειούχο τεχνικό (ηλεκτρολόγο).

## Πίνακας βλαβών

Βλάβη	Πιθανή αιτία	Λύση
Η συσκευή δε λειτουργεί	Ο ρευματολήπτης (φίς) δεν είναι συνδεδεμένος	Συνδέστε τη συσκευή στο δίκτυο του ρεύματος
	Διακοπή ρεύματος.	Ελέγξτε, εάν λειτουργούν άλλες κουζίνομηχανές
	Η ασφάλεια είναι χαλασμένη	Ελέγξτε στο κιβώτιο ασφαλειών, εάν η ασφάλεια για τη συσκευή είναι εντάξει
Η συσκευή δε λειτουργεί, όλα τα πλήκτρα αναβοσβήνουν	Ο ρευματολήπτης (φίς) του καλωδίου δεν είναι συνδεδεμένος	Ελέγξτε τη σύνδεση των καλωδίων δικτύου για όλες τις συσκευές
	Η ασφάλεια είναι χαλασμένη	Ελέγξτε στο κιβώτιο ασφαλειών, εάν οι ασφάλειες για όλες τις συσκευές είναι εντάξει
	Ένα εξάρτημα της συσκευής δε λειτουργεί	Καλέστε την υπηρεσία τεχνικής εξυπηρέτησης πελατών
Η συσκευή δε λειτουργεί	Η συσκευή βρίσκεται περισσότερο από 4 ώρες σε λειτουργία, η απενεργοποίηση για λόγους ασφαλείας ενεργοποιήθηκε	Θέστε τη συσκευή ξανά σε λειτουργία.
Ο φωτισμός των πλήκτρων δε λειτουργεί	Η μονάδα ελέγχου είναι ελαττωματική	Καλέστε την υπηρεσία τεχνικής εξυπηρέτησης πελατών
Ο φωτισμός δε λειτουργεί	Ο φωτισμός είναι χαλασμένος	Καλέστε την υπηρεσία τεχνικής εξυπηρέτησης πελατών
Το πλήκτρο  αναβοσβήνει	Το μεταλλικό φίλτρο είναι κορεσμένο	Καθαρισμός του φίλτρου, βλ. κεφάλαιο <i>Καθαρισμός και συντήρηση</i>

---

## Σέρβις πελατών

---

Εάν η συσκευή σας πρέπει να επισκευαστεί, η υπηρεσία τεχνικής εξυπηρέτησης των πελατών της εταιρείας μας βρίσκεται στη διάθεσή σας. Εμείς βρίσκουμε πάντοτε μια κατάλληλη λύση, επίσης και για την αποφυγή των περιττών επισκέψεων του τεχνικού.

Αναφέρετε στο τηλεφώνημα τον αριθμό προϊόντος (Αριθ. Ε) και τον αριθμό κατασκευής ( Αριθ. FD), για να μπορούμε να σας βοηθήσουμε σωστά. Την πινακίδα τύπου με τους αριθμούς θα την βρείτε μέσα στη συσκευή.

Για να μη χρειαστεί να ψάχνετε πολύ, σε περίπτωση που χρειάζεται, μπορείτε να γράψετε εδώ τα στοιχεία της συσκευής σας και τον αριθμό τηλεφώνου της υπηρεσίας τεχνικής εξυπηρέτησης πελατών.

---

**E-Nr.**

**FD-Nr.**

---

---

### Τμήμα εξυπηρέτησης πελατών

---

Προσέξτε, ότι η επίσκεψη του τεχνικού του τμήματος εξυπηρέτησης πελατών στη περίπτωση ενός εσφαλμένου χειρισμού δεν είναι δωρεάν, ακόμα και κατά τη διάρκεια του χρόνου της εγγύησης.

Τα στοιχεία επικοινωνίας όλων των χωρών θα τα βρείτε στον πίνακα Υπηρεσίες τεχνικής εξυπηρέτησης πελατών που παραδίδεται μαζί.

### Εντολή επισκευής και συμβουλές σε περίπτωση βλάβης

**GR** 18 182  
Αστική χρέωση

Εμπιστευτείτε την εμπειρία του κατασκευαστή. Έτσι εξασφαλίζετε, ότι η επισκευή γίνεται από εκπαιδευμένους τεχνικούς του σέρβις, που είναι εξοπλισμένοι με τα γνήσια ανταλλακτικά για τη δική σας οικιακή συσκευή.



**BSH Hausgeräte GmbH**  
Carl-Wery-Straße 34  
81739 München, GERMANY  
[www.gaggenau.com](http://www.gaggenau.com)

Valid within Great Britain:  
Imported to Great Britain by  
BSH Home Appliances Ltd.  
Grand Union House  
Old Wolverton Road  
Wolverton, Milton Keynes  
MK12 5PT  
United Kingdom

**GAGGENAU**



9000960911 en, es, pt, el (021024)