

AI 442 120 CN

Extractor hood

Table of contents

| | |
|-------------------------------------|-----------|
| Important safety information | 3 |
| Environmental protection | 5 |
| Saving energy | 5 |
| Environmentally-friendly disposal | 5 |
| Operating the appliance | 6 |
| Operating the appliance | 6 |
| Setting the fan | 6 |
| Intensive setting | 6 |
| Automatic mode | 6 |
| Sensor control | 6 |
| Saturation display | 7 |
| Lighting | 7 |
| Safety shut-off | 7 |
| Cleaning and maintenance | 7 |
| Trouble shooting | 10 |
| After-sales service | 11 |

Additional information on products, accessories, replacement parts and services can be found at www.gaggenau.com and in the online shop www.gaggenau-eshop.com

⚠ Important safety information

Read these instructions carefully. Only then will you be able to operate your appliance safely and correctly. Retain the instruction manual and installation instructions for future use or for subsequent owners.

The appliance can only be used safely if it is correctly installed according to the safety instructions. The installer is responsible for ensuring that the appliance works perfectly at its installation location.

This appliance is intended for domestic use and the household environment only. The appliance is not intended for use outside. Do not leave the appliance unattended during operation. The manufacturer is not liable for damage which is caused by improper use or incorrect operation.

This appliance is intended for use up to a maximum height of 2000 metres above sea level.

This appliance may be used by children over the age of 8 years old and by persons with reduced physical, sensory or mental capabilities or by persons with a lack of experience or knowledge if they are supervised or are instructed by a person responsible for their safety how to use the appliance safely and have understood the associated hazards.

Children must not play with, on, or around the appliance. Children must not clean the appliance or carry out general maintenance unless they are at least 8 years old and are being supervised.

Keep children below the age of 8 years old at a safe distance from the appliance and power cable.

Check the appliance for damage after unpacking it. Do not connect the appliance if it has been damaged in transport.

This appliance is not intended for operation with an external clock timer or a remote control.

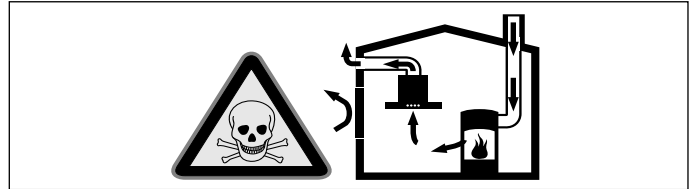
Danger of suffocation!

Packaging material is dangerous to children. Never allow children to play with packaging material.

Danger of death!

Risk of poisoning from flue gases that are drawn back in.

Always ensure adequate fresh air in the room if the appliance is being operated in exhaust air mode at the same time as room air-dependent heat-producing appliance is being operated.

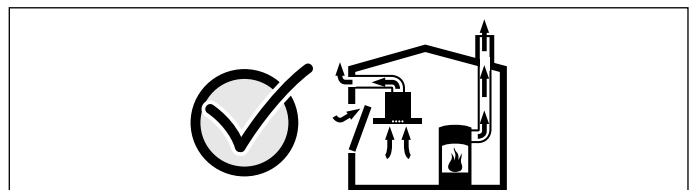


Room air-dependent heat-producing appliances (e.g. gas, oil, wood or coal-operated heaters, continuous flow heaters or water heaters) obtain combustion air from the room in which they are installed and discharge the exhaust gases into the open air through an exhaust gas system (e.g. a chimney).

In combination with an activated vapour extractor hood, room air is extracted from the kitchen and neighbouring rooms - a partial vacuum is produced if not enough fresh air is supplied. Toxic gases from the chimney or the extraction shaft are sucked back into the living space.

- Adequate incoming air must therefore always be ensured.
- An incoming/exhaust air wall box alone will not ensure compliance with the limit.

Safe operation is possible only when the partial vacuum in the place where the heat-producing appliance is installed does not exceed 4 Pa (0.04 mbar). This can be achieved when the air needed for combustion is able to enter through openings that cannot be sealed, for example in doors, windows, incoming/exhaust air wall boxes or by other technical means.



In any case, consult your responsible Master Chimney Sweep. He is able to assess the house's entire ventilation setup and will suggest the suitable ventilation measures to you.

Unrestricted operation is possible if the vapour extractor hood is operated exclusively in the circulating-air mode.

Risk of fire!

- Grease deposits in the grease filter may catch fire.

Clean the grease filter at least every 2 months.

Never operate the appliance without the grease filter.

- Grease deposits in the grease filter may catch fire. Never work with naked flames close to the appliance (e.g. flambéing). Do not install the appliance near a heat-producing appliance for solid fuel (e.g. wood or coal) unless a closed, non-removable cover is available. There must be no flying sparks.
- Hot oil and fat can ignite very quickly. Never leave hot fat or oil unattended. Never use water to put out burning oil or fat. Switch off the hotplate. Extinguish flames carefully using a lid, fire blanket or something similar.
- When gas burners are in operation without any cookware placed on them, they can build up a lot of heat. A ventilation appliance installed above the cooker may become damaged or catch fire. Only operate the gas burners with cookware on them.
- Operating several gas burners at the same time gives rise to a great deal of heat. A ventilation appliance installed above the cooker may become damaged or catch fire. Never operate two gas burners simultaneously on the highest flame for longer than 15 minutes. One large burner of more than 5 kW (wok) is equivalent to the power of two gas burners.

Risk of burns!

The accessible parts become very hot when in operation. Never touch hot parts. Keep children at a safe distance.

Risk of injury!

- Edges of the appliance at head height. Be careful not to hit your head against the appliance. Make sure that you allow sufficient headroom when cooking.
- Components inside the appliance may have sharp edges. Wear protective gloves.
- Items placed on the appliance may fall down. Do not place any objects on the appliance.
- The light emitted by LED lights is very dazzling, and can damage the eyes (risk group 1). Do not look directly into the switched on LED lights for longer than 100 seconds.

Risk of electric shock!

- A defective appliance may cause electric shock. Never switch on a defective appliance. Unplug the appliance from the mains or switch off the circuit breaker in the fuse box. Contact the after-sales service.
- Incorrect repairs are dangerous. Repairs may only be carried out and damaged power cables replaced by one of our trained after-sales technicians. If the appliance is defective, unplug the appliance from the mains or switch off the circuit breaker in the fuse box. Contact the after-sales service.
- Do not use any high-pressure cleaners or steam cleaners, which can result in an electric shock.

Causes of damage

Caution!

Risk of damage due to corrosion. Always switch on the appliance while cooking to avoid condensation. Condensate can produce corrosion damage.

Risk of damage due to ingress of humidity into the electronic circuitry. Never clean operator controls with a wet cloth.

Surface damage due to incorrect cleaning. Clean stainless steel surfaces in the direction of the grain only. Do not use any stainless steel cleaners for operator controls.

Surface damage due to strong or abrasive cleaning agents. Never use strong and abrasive cleaning agents.

Risk of damage from returning condensate. Install the exhaust duct in such a way that it falls away from the appliance slightly (1° slope).

Environmental protection

Your new appliance is particularly energy-efficient. Here you can find tips on how to save even more energy when using the appliance, and how to dispose of your appliance properly.

Saving energy

- Only switch the ventilation on when necessary. You do not need to switch the ventilation on when cooking something for a short time that does not have a strong smell.
- Select a fan setting according to what you are cooking.
- Switch the ventilation off again after cooking.
- Cleaning the grease filter regularly will increase the efficiency of the ventilation.
- Switch the lighting on the appliance off if you are not using it.

Environmentally-friendly disposal

Dispose of packaging in an environmentally-friendly manner.



This appliance is labelled in accordance with European Directive 2012/19/EU concerning used electrical and electronic appliances (waste electrical and electronic equipment - WEEE). The guideline determines the framework for the return and recycling of used appliances as applicable throughout the EU.

Operating the appliance

Note: Switch on the extractor hood when you start cooking and switch it off again several minutes after you have finished cooking. This is the most effective way of removing the kitchen fumes.

Note: You can operate the extractor hood using both control panels.

Operating the appliance

Control panel



Explanation

| | |
|----|----------------------|
| ⓘ | Fan on/off |
| 1 | Fan speed 1 |
| 2 | Fan speed 2 |
| 3 | Fan speed 3 |
| >> | Intensive setting |
| A | Automatic mode |
| ⊙ | Saturation indicator |
| 💡 | Light on/off/dimming |

Setting the fan

Note: Always adjust the fan strength to meet current conditions. If there is a large build-up of steam or fumes, select a high fan setting.

Switching on

- 1 Press the ⓘ button.
The fan starts at setting 2.
- 2 Press the 1, 2, 3 or >> button to set the corresponding fan setting.

Switching off

Press the ⓘ button.

Intensive setting

You can use the intensive setting if there is a large build-up of odours and fumes/vapours.

Switching on

- 1 Press the ⓘ button.
The fan starts at setting 2.
- 2 Press the >> button.
Intensive mode is activated.

Switching off

Press the ⓘ button or the button for another fan setting.

Intensive mode is deactivated.

Automatic mode

Switching on

- 1 Press the ⓘ button.
The fan starts in fan setting 2.
- 2 Press the A button.
The optimum fan setting 1, 2 or 3 is set automatically by a sensor.

Switching off

Press the A or ⓘ button.

Automatic mode is switched off.

The fan switches off automatically if the air quality in the room exceeds a certain level. Automatic mode can run for a maximum of four hours.

Sensor control

In automatic mode, a sensor in the extractor hood detects the intensity of the cooking and roasting fumes. Depending on the setting of the sensor, the fan automatically switches to another fan speed.

Default sensitivity setting: 2

Lowest sensitivity setting: 1

Highest sensitivity setting: 4


Changing the sensitivity of the sensor

If the sensor control reacts too quickly or too slowly, change the sensitivity setting.

- 1 When the fan is switched off, press and hold the **A** button for approx. 4 seconds.
The setting is displayed.
- 2 Press button 1, 2, 3 or the **>>** button to change the sensitivity setting.

Button 1 = Sensitivity 1
Button 2 = Sensitivity 2
Button 3 = Sensitivity 3
>> button = Sensitivity 4
- 3 Press and hold the **A** button for approx. 4 seconds.
The change is saved.

Saturation display

If the metal grease filters are saturated, the  button flashes.

If you have not yet done so, the metal grease filters should be cleaned now.

For instructions on how to clean the metal grease filters, please refer to the Cleaning and maintenance section.


Resetting the saturation indicator

Press the  button.


Lighting

The lighting can be switched on and off independently of the ventilation system.

Switching on or off

Press the  button.

Setting the brightness

Press and hold the  button until the desired brightness is reached.

Safety shut-off

For your safety, the appliance has a safety shut-off function. The lighting switches off after 12 hours and the fan after 4 hours if the appliance is not operated during this time.

Cleaning and maintenance

Risk of burns!

The appliance becomes hot during operation. Allow the appliance to cool down before cleaning.

Risk of electric shock!

Penetrating moisture may result in an electric shock. Clean the appliance using a damp cloth only. Before cleaning, pull out the mains plug or switch off the circuit breaker in the fuse box.

Risk of electric shock!

Do not use any high-pressure cleaners or steam cleaners, which can result in an electric shock.

Risk of injury!

Components inside the appliance may have sharp edges. Wear protective gloves.

Cleaning agents

Observe the information in the table to ensure that the different surfaces are not damaged by using the wrong type of cleaning agent. Do not use

- harsh or abrasive cleaning agents,
- cleaning agents with a high concentration of alcohol,
- hard scouring pads or sponges,
- high-pressure cleaners or steam cleaners.

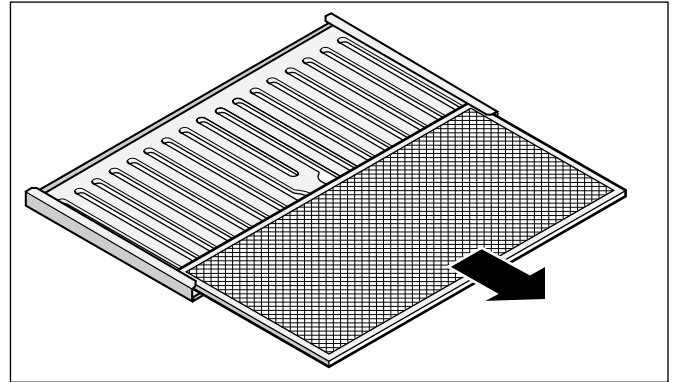
Wash new sponge cloths thoroughly before use.

Follow all instructions and warnings included with the cleaning agents.

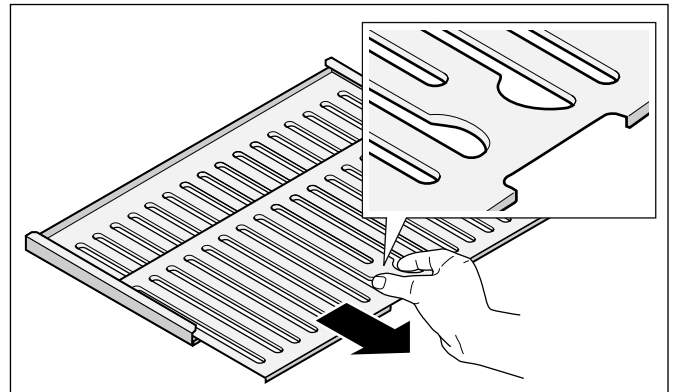
| Area | Cleaning agents |
|-----------------------|--|
| Stainless steel | Hot soapy water: Clean with a dish cloth and dry with a soft cloth. Clean stainless steel surfaces in the direction of the grain only. Special stainless steel cleaning products are available from our after-sales service or from specialist retailers. Apply a very thin layer of the cleaning product with a soft cloth. |
| Aluminium and plastic | Glass cleaner: Clean with a soft cloth. |

| Area | Cleaning agents |
|--------------------|--|
| Glass | Glass cleaner: Clean with a soft cloth. Do not use a glass scraper. |
| Operating controls | Hot soapy water: Clean using a damp dish cloth and dry with a soft cloth. Risk of damage to the electronics from penetrating moisture. Never clean operator controls with a wet cloth. Do not use any stainless steel cleaners. |

3 Remove the metal mesh filter.



4 Pull the two parts of the filter apart, using the recessed grip to help you do this.



5 Clean the metal grease filter.

6 Clean the appliance from the inside.

Degreaser (product no. 00311297)

Intensive degreaser for effectively removing grease deposits in the extractor hood. Ideal for pre-treating metal grease filters.

Stainless steel care cloths (product no. 00311134)

Used to care for stainless steel surfaces. Impregnated with special oil to prevent the accumulation of dirt and fingerprints.

Removing metal grease filter

⚠ Risk of injury!

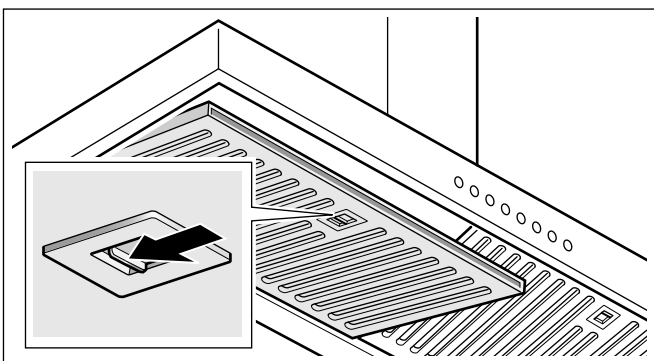
The metal grease filters and components inside the appliance may have sharp edges. Wear protective gloves.

⚠ Risk of injury!

The metal grease filters are very heavy. Remove the metal grease filters carefully and secure them against falling down when doing so.

The metal grease filter consists of three components. You can take the metal grease filters apart to facilitate cleaning.

- 1 Open the lock and fold the metal grease filter downwards. For safety reasons, the metal grease filter is locked in place at the rear edge.



- 2 Slightly lift the front edge of the metal grease filter until it can be removed from the holder.

Note: Grease may accumulate in the bottom of the metal grease filter. Hold the metal grease filter level to prevent fat from dripping out.

Cleaning the metal mesh grease filters

Risk of fire!

Grease deposits in the grease filter may catch fire.
Clean the grease filter at least every 2 months.
Never operate the appliance without the grease filter.

Notes

- Do not use any aggressive, acidic or alkaline cleaning agents.
- When cleaning the metal mesh grease filters, also clean the holder for the metal mesh grease filters in the appliance using a damp cloth.
- The metal mesh grease filters can be cleaned in the dishwasher or by hand.

In the dishwasher:

Note: Slight discolouration may occur if the metal grease filters are cleaned in the dishwasher. This has no effect on the function of the metal grease filters.

- Do not clean heavily soiled metal grease filters together with utensils.
- Remove any heavy soiling first by hand.
- Place the metal grease filters in the dishwasher leaving plenty of space around them. The metal grease filters must not be wedged in.

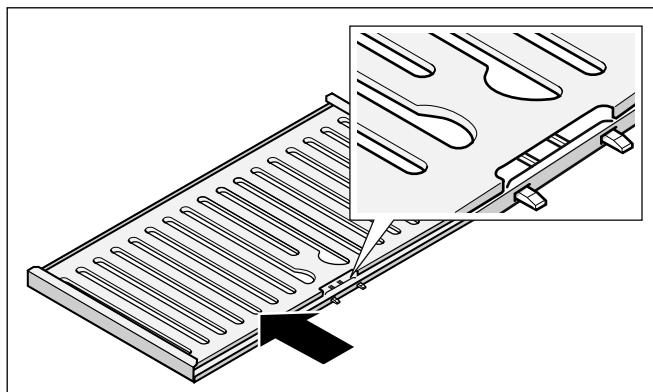
By hand:

- Soak the metal grease filters in hot soapy water.
- Clean the filters with a brush and then rinse them thoroughly.
- Leave the metal grease filters to drain.

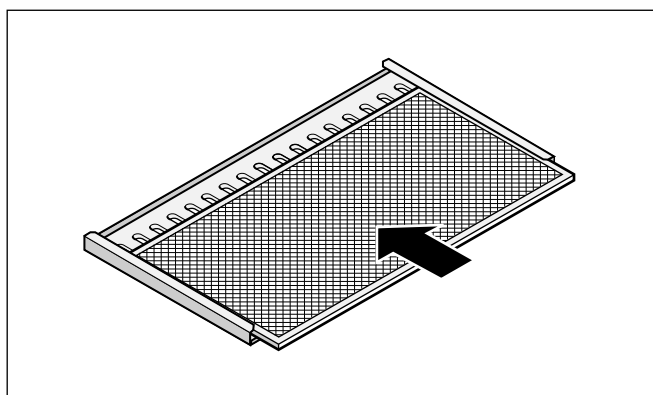
Note: You can use a special degreaser to remove stubborn dirt. This can be ordered via the online shop (product no. 00311297). Spray the dirty metal grease filters with the degreaser and leave it to work for up to five minutes. Then rinse thoroughly. Observe the instructions for use supplied with the cleaning product.

Installing the metal mesh grease filter

- 1 Push the two parts of the filter back together. Ensure that the opening on the edge is in the correct place.




- 2 Push the metal mesh filter in completely.



- 3 With the lock facing towards the front, place the metal grease filter in the underside of the appliance and engage the lock.

Note: When pushing the filter in, make sure the lock engages. Otherwise, the metal grease filter can fall and damage the cooktop.

- 4 Press the  button.
The saturation indicator is reset.

Trouble shooting

Malfunctions often have simple explanations. Please read the following notes before calling the after-sales service.

Risk of electric shock!

Incorrect repairs are dangerous. Repairs may only be carried out and damaged power cables replaced by one of our trained after-sales technicians. If the appliance is defective, unplug the appliance from the mains or switch off the circuit breaker in the fuse box. Contact the after-sales service.


Risk of injury!

The light emitted by LED lights is very dazzling, and can damage the eyes (risk group 1). Do not look directly into the switched on LED lights for longer than 100 seconds.

LED lights

Defective LED lights must only be replaced by the manufacturer, their customer service department or a licensed technician (electrician).

Fault table

| Disruption | Possible cause | Solution |
|--|--|--|
| The appliance does not work | The plug is not plugged into the mains | Connect the appliance to the electricity supply |
| | Power failure | Check whether other kitchen appliances are working |
| | Faulty fuse | Check in the fuse box to make sure that the fuse for the appliance is OK |
| The appliance is not working, all the buttons are flashing | The network-cable plug is not plugged into the mains | Check that the network cables of all the appliances are connected |
| | The circuit breaker is faulty | Look in the fuse box and check that the circuit breakers for all the appliances are in working order |
| | One of the components in the appliance has broken | Call the after-sales service |
| The appliance is not working | If the appliance is in operation for more than four hours, the safety switch-off function is activated | Switch the appliance on again |
| The button illumination does not work | The control unit is faulty | Call the after-sales service |
| The lighting is not working | The lighting is defective | Call the after-sales service |
| The  button flashes | The metal filter is saturated | Clean the filter, see the <i>Cleaning and maintenance</i> section |

After-sales service

Our after-sales service is there for you if your appliance needs to be repaired. We will always find an appropriate solution in order to avoid unnecessary visits by engineers.

When calling us, please give the product number (E no.) and the production number (FD no.) so that we can provide you with the correct advice. The rating plate bearing these numbers can be found on the appliance.

To save time, you can make a note of the number of your appliance and the telephone number of the after-sales service in the space below, should it be required.

| E no. | FD no. |
|-------|--------|
|-------|--------|

After-sales service 

Please note that a visit from an after-sales service engineer is not free of charge, even during the warranty period.

Please find the contact data of all countries in the enclosed customer service list.

To book an engineer visit and product advice

GB 0344 892 8988

Calls charged at local or mobile rate.

IE 01450 2655

0.03 € per minute at peak. Off peak 0.0088 € per minute.

AU 1300 368 339

NZ 09 477 0492

Trust the expertise of the manufacturer, and rest assured that the repair will be carried out by trained service technicians using original spare parts for your domestic appliance.

Gaggenau Hausgeräte GmbH
Carl-Wery-Straße 34
D-81739 München
www.gaggenau.com

GAGGENAU



9001102580 en (950401)