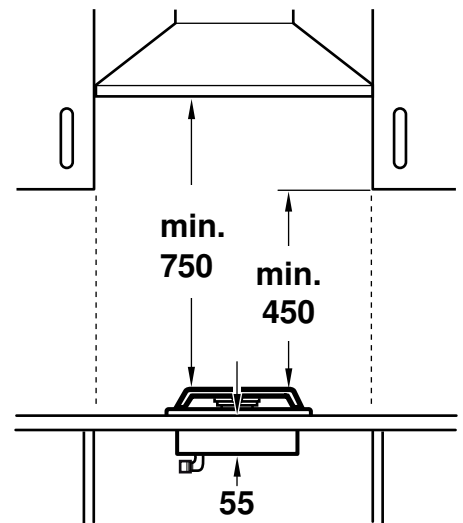
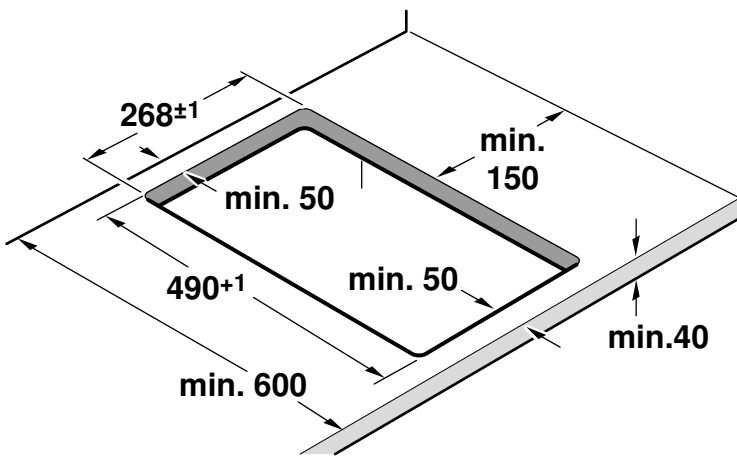
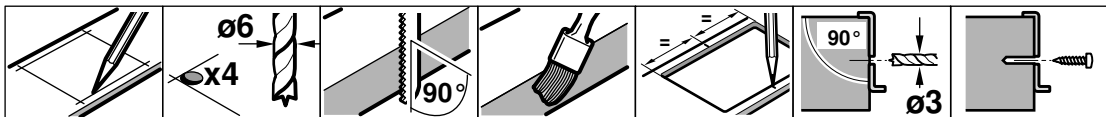
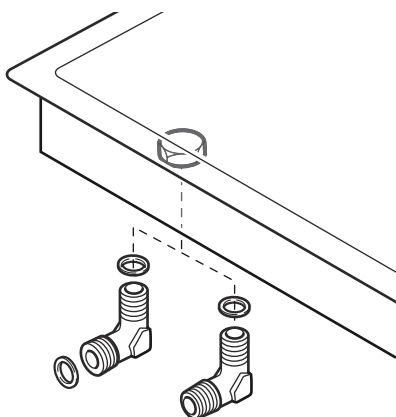


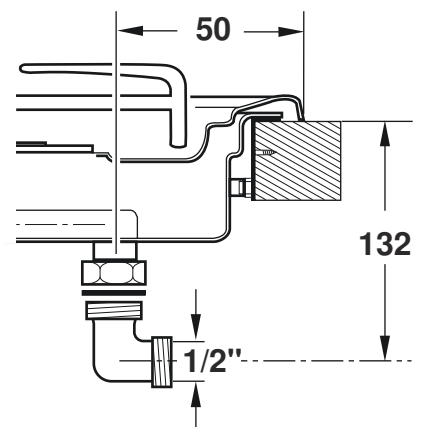
1.



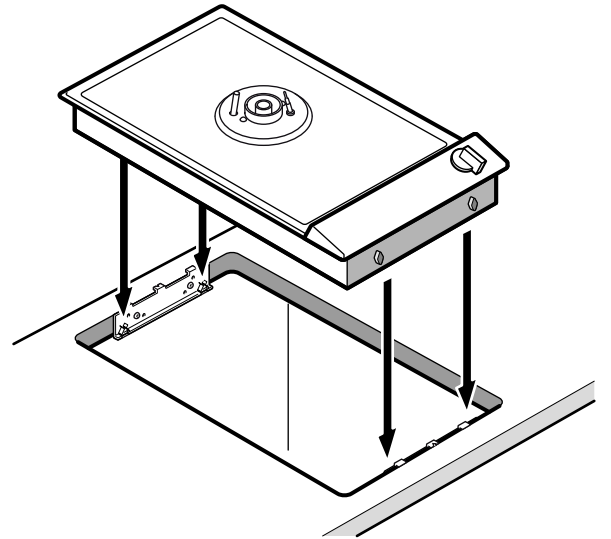
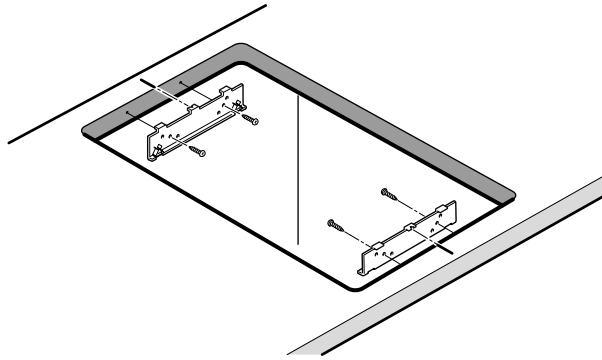
2.



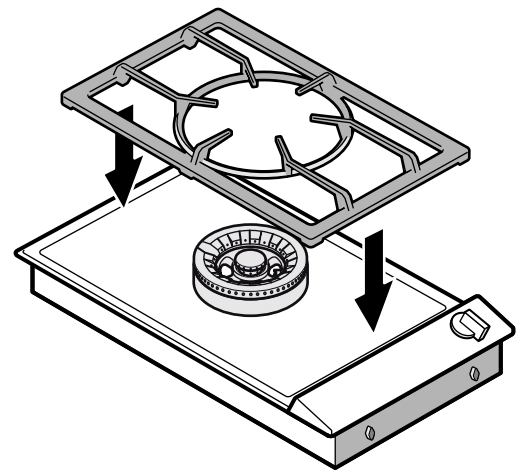
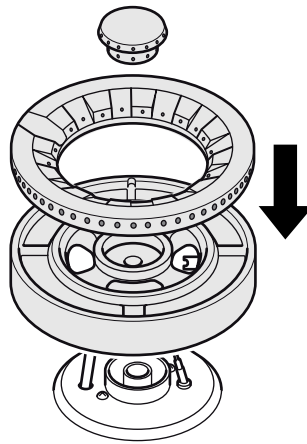
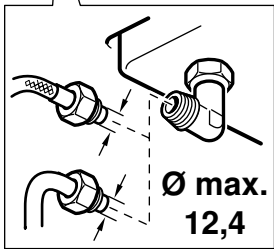
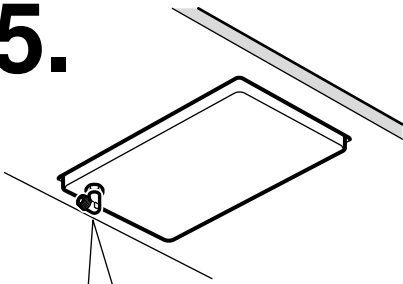
3.



4.



5.



Important notes

Read these instructions carefully and keep them in a safe place. Safety during use can only be ensured if the appliance is fitted correctly according to these installation instructions. The installer is responsible for ensuring that the appliance operates perfectly at the point of installation.

⚠ Risk of injury!

Parts that are accessible during installation may have sharp edges. Wear protective gloves.

The appliance must be connected to the mains only by a licensed and trained technician.

Before carrying out any type of work, turn off the electricity and gas supply.

For installation, currently applicable building regulations and the regulations of local electricity and gas suppliers must be observed.

For conversion to another type of gas, please call the after-sales service.

⚠ Risk of gas escape!

After connecting the appliance to the gas supply, always check the connection for leak tightness. The manufacturer accepts no responsibility for the escape of gas from a gas connection which has been previously tampered with.

Ensure sufficient air exchange in the room where the appliance is installed. Up to 11 kW total output:

- Minimum volume of the room where appliance is installed: 20 m³
- A door leading to the open air or a window which can be opened.

Up to 18 kW total output:

- Minimum volume of the room where appliance is installed: 2 m³ per kW total output.
- A door leading to the open air or a window which can be opened.
- An extraction hood into the open air. Minimum displacement volume of extraction hood: 15 m³/h per kW total output.

Caution!

This appliance is not connected to a flue. It must be connected and put into operation in accordance with the installation conditions. Do not connect the appliance to a flue gas outlet. All ventilation regulations must be observed.

The installation system must incorporate an all-pin isolating switch with a contact opening of at least 3 mm, or the appliance should be connected to the mains via a safety plug. The plug must remain accessible after installation is complete.

Specifications on the rating plate showing voltage, type of gas and gas pressure must agree with the local mains connection conditions.

Do not kink or trap the mains connection cable.

This appliance corresponds to appliance class 3 (for installation in a kitchen unit). It must be fitted according to the installation drawing. The wall behind the appliance must be made of non-flammable material.

This appliance is not intended for operation with an external timer or an external remote control.

Do not install this appliance on boats or in vehicles.

Preparing the furniture

The surrounding kitchen unit must be heat-resistant to at least 90 °C. The stability of the unit must be maintained after producing the cut-out.

Produce the cut-out for one or several Vario appliances. Proceed as shown in the installation sketch. The angle between the cut surface and the worktop must be 90°.

After producing the cut-out, remove the shavings. Seal the cut surfaces to make them heat-resistant.

Observe a minimum clearance between the appliance housing and parts of the unit of 10 mm.

When fitting several Vario appliances: allow for the additional space required for the connecting strip VV 200. Appliances can also be fitted in individual recesses, if a minimum clearance of 40 mm between the appliances is observed.

Fitting the appliance

1. Mark the centre of the recess exactly. Fit the mounting rails to the front and rear of the recess. Make sure the lugs of the mounting rails lie on the worktop. The centre marking on the mounting rails must be precisely flush with the centre marking of the recess.

Note: when fitting the appliance in a stone worktop glue on the mounting rails with a temperature-resistant two-component adhesive (metal on stone).

2. For combination with the appliance cover VD 201: secure the appliance cover on the appliance before installation (refer to the installation manual of VD 201).

3. Lower the appliance into the cut-out. The snap-in pins on the appliance must lie exactly on the catch springs. Firmly press the appliance into the cut-out. **The pins on the appliance must snap into the catch springs.**

Removing the appliance

Disconnect the appliance from the power and the gas supply. Push out the appliance from below.

Caution!

Risk of damage! Do not lever out the appliance from above.

Gas connection

The gas connection must be arranged in such a way that the shut-off valve is accessible.

The appliance comes with two connection elbows (appliance-side G $\frac{1}{2}$ "). Select the suitable version depending on the country:

- ISO 228 G 1/2 cylindrical
- EN 10226 R 1/2 conical

Use one of the supplied connection elbows and the corresponding seal to connect the appliance to a fixed connecting cable or a gas safety hose.

If the gas safety hose is not made of metal or is only partially made of metal, the ambient temperature must not exceed 90 °C. If the gas safety hose is made of metal, the permissible ambient temperature is 115 °C.

Route the gas safety hose in such a way that it does not come into contact with the moving parts of the fitted units (e.g. drawer).

Electrical connection

Check that the appliance has the same voltage and frequency as the electrical installation system.

The hob is delivered with a mains cable, with or without plug, depending on model.

Only connect the appliance to sockets which have been fitted and earthed according to regulations.

The appliance corresponds to type Y: the mains connection cable must only be replaced by the after-sales service. Check the cable type and minimum cross section.

Technical data

Total connected load (natural gas): 5,2 kW

Total connected load (electric): 1,0 W

Voltage: 220 V

Frequency: 50 Hz

重要说明

请认真阅读本安装说明并保存在安全的地方。只有按照安装说明正确安装电器，才能保证使用安全。安装工负责确保电器在安装位置上正常工作。

△ 有受伤危险！

在安装过程中碰得到的部件可能具有锋利的边缘。请戴上防护手套。

只有经过培训并持有上岗证书的专业人员才能将电器连接到电源。

在进行任何类型的作业前，切断电源和气源。

安装时，必须遵循现行建筑条例和当地电力和燃气公司规定。

如要改接其他燃气类型，请致电售后服务部门。

△ 有燃气泄漏危险！

在将电器连接至气源之后，一定要检查接头是否拧紧无泄漏。制造商对于因擅自改动接头而导致的燃气泄漏不承担责任。

确保安装电器的房间内有充足的换气。总功率最高达 11 kW：

- 安装电器房间的最小容积：20 m³
- 有通向室外的门或可以打开的窗户。

总功率最高达 18 kW：

- 安装电器房间的最小容积：总输出功率每千瓦 2 m³。
- 有通向室外的门或可以打开的窗户。
- 有通向室外的抽油烟机。抽油烟机的最小排风量：总输出功率每千瓦 15 m³/h。

注意！

此电器未连接到废气总管。必须按照安装条件对其进行连接和委托。请勿将电器连接到废气总管。必须遵守通风设备规范。

安装系统必须采用触点间隙最小为 3 mm 的全针隔离开关，或者将电器通过安全插头连接至电源。安装完成之后，插座必须仍然便于使用。

铭牌上的电压、燃气类型和燃气压力规格必须与当地电源、气源连接条件相符。

请勿缠绕或扭结电源线。

本电器属于三类电器（适合安装在橱柜中）。必须按照安装图纸进行安装。电器后面的壁面必须由非易燃材料制成。

本电器不适合用外部定时器或外部遥控器操作。

不要将本电器安装在船上或车辆中。

准备 橱柜

周围橱柜的耐热能力必须至少达 90 °C。在开孔切割完毕后，橱柜必须依然保持稳定。

切割出适合一个或几个 Vario 电器的开孔。按照安装示意图进行加工。切割表面和台面之间的角度必须等于 90°。

在开孔切割完毕后，去除刨花。密封切割表面，使其耐热。

注意电器外壳和橱柜部件之间必须保持最小 10 mm 的间距。

在安装多台 Vario 电器时：要为连接线 VV 200 留出富余空间。还可以将电器安装在单个安装槽内，但电器之间要保持 40 mm 的最小间距。

安装电器

1. 准确 标记安装槽中心。将固定导轨安装到安装槽的前方或后方。确保固定导轨的凸耳于橱柜操作面上。固定导轨的中心标记必须与安装槽的中心标记精确齐平。

提示：当将电器安装在石制橱柜操作面中时，用耐热双组分胶（金石胶）将其粘结在固定导轨上。

2. 如果有电器罩 VD 201：安装前将电器罩固定到电器上（参见 VD 201 安装手册）。
3. 将电器降至开孔内。电器上的咬合式销钉必须精确位于挡簧上。将电器牢牢按入开孔中。电器上的销钉必须咬合到挡簧内。

拆除电器

断开电器电源和气源。从下方推出电器。

注意！

有损坏危险！不要从上面用撬杆撬出电器。

燃气连接

必须以此种方式排列燃气连接才能方便地操作切断阀。

电器随附 2 个连接弯头（电器侧方 G $\frac{1}{2}$ 处）。根据不同的国家选择合适的型号：

- ISO 228 G 1/2 圆柱螺纹
- EN 10226 R 1/2 锥管螺纹

使用其中一种提供的连接弯头和相应的密封件将电器连接到固定连接线缆或燃气安全软管。

如果燃气安全软管不是（或仅部分）由金属制成，则环境温度不得超过 90 °C。如果燃气安全软管完全由金属制成，则允许的环境温度为 115 °C。

以这种方式布置燃气安全软管，以便其不会与安装的橱柜的活动部件相接触（例如抽屉）。

电气连接

检查并确认电器的电压和频率与电气安装系统一致。

根据型号，电器在交货时带有电源线，带或不带插头。

只能将电器连接至按照规定安装和接地的插座上。

本电器属于 Y 型：电源线只能由售后服务部门进行更换。请查看电源线类型和最小横截面积。

技术参数

（天然气）连接的总负载：5.2 kW

（电）连接的总负载：1.0 W

电压：220 V

频率：50 Hz