

Gaggenau

Information for Use

RB 282

Fridge-freezer

Table of contents

1 Safety	4	7.3 Switching off the appliance	16
1.1 General information.....	4	7.4 Setting the temperature.....	16
1.2 Intended use.....	4	8 Additional functions	16
1.3 Restriction on user group.....	4	8.1 Fast cooling	16
1.4 Safe transport.....	4	8.2 Automatic Fast freezing.....	17
1.5 Safe installation	5	8.3 Manual Fast freezing	17
1.6 Safe use	6	8.4 Holiday mode	17
1.7 Damaged appliance	8	9 Alarm	18
2 Preventing material damage	9	9.1 Door alarm	18
3 Environmental protection and saving energy	9	9.2 Temperature alarm.....	18
3.1 Disposing of packaging	9	10 Home Connect	18
3.2 Saving energy.....	9	10.1 Setting up Home Connect.....	19
4 Installation and connection	9	10.2 Checking the signal strength	19
4.1 Scope of delivery.....	9	10.3 Installing updates for the Home Connect software	20
4.2 Criteria for the installation location.....	10	10.4 Resetting Home Connect settings	20
4.3 Installing the appliance	11	10.5 Data protection.....	20
4.4 Preparing the appliance for the first time.....	11	11 Refrigerator compartment	21
4.5 Connecting the appliance to the electricity supply.....	11	11.1 Tips for storing food in the refrigerator compartment	21
5 Familiarising yourself with your appliance	12	11.2 Chill zones in the refrigerator compartment.....	21
5.1 Appliance	12	11.3 "OK" sticker	21
5.2 Control panel.....	13	12 Freezer compartment	22
6 Features	14	12.1 Freezing capacity	22
6.1 Shelf.....	14	12.2 Fully utilising the freezer compartment volume	22
6.2 Extendable shelf.....	14	12.3 Tips for storing food in the freezer compartment.....	22
6.3 Folding bottle shelf.....	14	12.4 Tips for freezing fresh food ...	22
6.4 Fruit and vegetable container with humidity control	14	12.5 Shelf life of frozen food at -18 °C.....	23
6.5 Flat frozen food container	15	12.6 Defrosting methods for frozen food	23
6.6 Door rack.....	15		
6.7 Accessories.....	15		
7 Basic operation	16		
7.1 Switching on the appliance	16		
7.2 Operating tips.....	16		

13 Defrosting.....	23
13.1 Defrosting in the refrigerator compartment.....	23
13.2 Defrosting in the freezer compartment	23
14 Cleaning and servicing.....	24
14.1 Preparing the appliance for cleaning	24
14.2 Cleaning the appliance	24
14.3 Cleaning the condensation channel and drainage hole	25
14.4 Removing the fittings.....	25
14.5 Removing appliance components.....	26
15 Troubleshooting.....	28
15.1 Power failure.....	31
15.2 Conducting an appliance self-test	31
16 Storage and disposal.....	31
16.1 Taking the appliance out of operation	31
16.2 Disposing of old appliance	31
17 Customer Service.....	32
17.1 Product number (E-Nr.) and production number (FD).....	32
18 Technical data	32
19 Declaration of Conformity	33



1 Safety

Observe the following safety instructions.

1.1 General information

- Read this instruction manual carefully.
- Keep the instruction manual and the product information safe for future reference or for the next owner.
- Do not connect the appliance if it has been damaged in transit.

1.2 Intended use

This appliance is only intended to be fully fitted in a kitchen.

Only use this appliance:

- for chilling and freezing food and for making ice cubes.
- In private households and in enclosed spaces in a domestic environment.
- Up to an altitude of 2000 m above sea level.

1.3 Restriction on user group

This appliance may be used by children aged 8 or over and by people who have reduced physical, sensory or mental abilities or inadequate experience and/or knowledge, provided that they are supervised or have been instructed on how to use the appliance safely and have understood the resulting dangers.

Do not let children play with the appliance.

Cleaning and user maintenance must not be performed by children unless they are being supervised.

Children above the age of three years old and younger than eight years old may load and unload the the fridge-freezer.

1.4 Safe transport

WARNING – Risk of injury!

The high weight of the appliance may result in injury when lifted.

- ▶ Do not lift the appliance on your own.

1.5 Safe installation

WARNING – Risk of electric shock!

Incorrect installation is dangerous.

- ▶ Connect and operate the appliance only in accordance with the specifications on the rating plate.
- ▶ Connect the appliance to a power supply with alternating current only via a properly installed socket with earthing.
- ▶ The protective conductor system of the domestic electrical installation must be properly installed.
- ▶ Never equip the appliance with an external switching device, e.g. a timer or remote control.
- ▶ When the appliance is installed, the mains plug of the power cord must be freely accessible. If free access is not possible, an all-pole isolating switch must be installed in the permanent electrical installation according to the installation regulations.
- ▶ When installing the appliance, check that the power cable is not trapped or damaged.

If the insulation of the power cord is damaged, this is dangerous.

- ▶ Never let the power cord come into contact with heat sources.

WARNING – Risk of explosion!

If the appliance's ventilation openings are sealed, a leak in the refrigeration circuit may result in a flammable mixture of gas and air.

- ▶ Keep ventilation openings, in the appliance enclosure or in the built-in structure, clear of obstruction.

WARNING – Risk of fire!

It is dangerous to use an extended power cord and non-approved adapters.

- ▶ Do not use extension cables or multiple socket strips.
- ▶ Only use adapters and power cords approved by the manufacturer.
- ▶ If the power cord is too short and a longer one is not available, please contact an electrician to have the domestic installation adapted.

Portable multiple socket strips or portable power supply units may overheat and cause a fire.

- ▶ Do not place portable multiple socket strips or power supply units on the back of the appliance.

1.6 Safe use

⚠ WARNING – Risk of electric shock!

An ingress of moisture can cause an electric shock.

- ▶ Only use the appliance in enclosed spaces.
- ▶ Never expose the appliance to intense heat or humidity.
- ▶ Do not use steam- or high-pressure cleaners to clean the appliance.

⚠ WARNING – Risk of suffocation!

Children may put packaging material over their heads or wrap themselves up in it and suffocate.

- ▶ Keep packaging material away from children.
- ▶ Do not let children play with packaging material.

Children may breathe in or swallow small parts, causing them to suffocate.

- ▶ Keep small parts away from children.
- ▶ Do not let children play with small parts.

⚠ WARNING – Risk of explosion!

If the cooling circuit is damaged, flammable refrigerant may escape and explode.

- ▶ To accelerate the defrosting process, do not use any other mechanical devices or means other than those recommended by the manufacturer.
- ▶ If food is stuck to the freezer compartment, loosen it with a blunt implement such as the handle of a wooden spoon.

Products which contain flammable propellants and explosive substances may explode, e.g. spray cans.

- ▶ Do not store products which contain flammable propellants (e.g. spray cans) or explosive substances in the appliance.

⚠ WARNING – Risk of fire!

Electrical devices within the appliance may cause a fire, e.g. heaters or electric ice makers.

- ▶ Do not operate electrical devices within the appliance.

⚠ WARNING – Risk of injury!

Containers that contain carbonated drinks may burst.

- ▶ Do not store containers that contain carbonated drinks in the freezer compartment.

Injury to the eyes caused by escaping flammable refrigerant and hazardous gases.

- ▶ Do not damage the tubes of the refrigerant circuit or the insulation.

⚠ WARNING – Risk of cold burns!

Contact with frozen food and cold surfaces may cause burns by refrigeration.

- ▶ Never put frozen food straight from the freezer compartment into your mouth.
- ▶ Avoid prolonged contact of the skin with frozen food, ice and surfaces in the freezer compartment.

⚠ CAUTION – Risk of harm to health!

To prevent food from being contaminated, you must observe the following instructions.

- ▶ If the door is open for an extended period of time, this may lead to a considerable temperature increase in the compartments of the appliance.
- ▶ Regularly clean the surfaces that may come into contact with food and accessible drain systems.
- ▶ Store raw meat and fish in suitable containers in the refrigerator so that they do not touch or drip on other food.
- ▶ If the fridge/freezer is empty for an extended period of time, switch off the appliance, defrost it, clean it and leave the door open to prevent the formation of mould.

Metal or metal-style parts in the appliance may contain aluminium. If acidic food comes into contact with aluminium in the appliance, aluminium foil ions may pass into the food.

- ▶ Do not consume soiled food.

1.7 Damaged appliance

WARNING – Risk of electric shock!

If the appliance or the power cord is damaged, this is dangerous.

- ▶ Never operate a damaged appliance.
- ▶ Never pull on the power cord to unplug the appliance. Always unplug the appliance at the mains.
- ▶ If the appliance or the power cord is damaged, immediately unplug the power cord or switch off the fuse in the fuse box.
- ▶ Call customer services. → *Page 32*

Incorrect repairs are dangerous.

- ▶ Repairs to the appliance should only be carried out by trained specialist staff.
- ▶ Only use genuine spare parts when repairing the appliance.
- ▶ If the power cord of this appliance is damaged, it must be replaced by the manufacturer, the manufacturer's Customer Service or a similarly qualified person in order to prevent any risk.

WARNING – Risk of fire!



If the tubes are damaged, flammable refrigerant and harmful gases may escape and ignite.

- ▶ Keep naked flames and ignition sources away from the appliance.
- ▶ Ventilate the room.
- ▶ Switch off the appliance. → *Page 16*
- ▶ Unplug the appliance from the mains or switch off the circuit breaker in the fuse box.
- ▶ Call after-sales service. → *Page 32*

2 Preventing material damage

ATTENTION!

Using the base, runners or appliance doors as a seat surface or climbing surface may damage the appliance.

- ▶ Do not stand or support yourself on the base, runners or doors.

Contamination with oil or fat may cause plastic parts and door seals to become porous.

- ▶ Keep plastic parts and door seals free of oil and grease.

Metal or metal-style parts in the appliance may contain aluminium. Aluminium reacts when it comes into contact with acidic foods.

- ▶ Do not store unpackaged food in the appliance.

3 Environmental protection and saving energy

3.1 Disposing of packaging

The packaging materials are environmentally compatible and can be recycled.

- ▶ Sort the individual components by type and dispose of them separately.

3.2 Saving energy

If you follow these instructions, your appliance will use less power.

Selecting the installation location

- Keep the appliance out of direct sunlight.
- Install the appliance as far away as possible from heating elements, cookers and other heat sources:

- Maintain a 30 mm clearance to electric or gas cookers.
- Maintain a 300 mm clearance to oil or solid-fuel cookers.
- Use a niche depth of 560 mm.
- Never cover or block the external ventilation openings.

Saving energy during use

Note: The arrangement of the fittings does not affect the energy consumption of the appliance.

- Open the appliance only briefly and then close it carefully.
- Never cover or block the interior ventilation openings or the exterior ventilation openings.
- Transport purchased food in a cool bag and place in the appliance quickly.
- Allow warm food and drinks to cool down before storing them.
- Thaw frozen food in the refrigerator compartment to utilise the low temperature of the food.
- Always leave some space between the food and to the back panel.
- Defrost the freezer compartment regularly.

4 Installation and connection

4.1 Scope of delivery

After unpacking all parts, check for any transport damage and for completeness of delivery.

If you have any complaints, contact your dealer or our after-sales service → *Page 32.*

The delivery consists of the following:



- Built-in appliance
- Equipment and accessories¹
- Installation material
- Installation instructions
- User manual
- Customer service directory
- Warranty enclosure²
- Energy label
- Information on energy consumption and noises
- Information about Home Connect

4.2 Criteria for the installation location

WARNING

Risk of explosion!

If the appliance is in a space that is too small, a leak in the refrigeration circuit may result in a flammable mixture of gas and air.

- ▶ Only install the appliance in a space with a volume of at least 1 m³ per 8 g refrigerant. The volume of refrigerant is indicated on the rating plate. → "Appliance", Fig. / , Page 13

The weight of the appliance ex works may be up to 75 kg depending on the model.

The subfloor must be sufficiently stable to bear the weight of the appliance.

Permitted room temperature

The permitted room temperature depends on the appliance's climate class.

The climate class can be found on the rating plate. → "Appliance", Fig.

/ , Page 13

Climate class	Permitted room temperature
SN	10 °C to 32 °C
N	16 °C to 32 °C
ST	16 °C to 38 °C
T	16 °C to 43 °C

The appliance is fully functional within the permitted room temperature.

If an appliance with climate class SN is operated at colder room temperatures, the appliance will not be damaged up to a room temperature of 5 °C.

Niche dimensions

Observe the niche dimensions if you install your appliance in the niche. If this is not the case, problems may occur when installing the appliance.

Niche depth

Install the appliance in the recommended niche depth of 560 mm. If the niche depth is smaller, the energy consumption increases slightly. The niche depth must be a minimum 550 mm.

Niche width

An inside niche width of at least 560 mm is required for the appliance.

Over-and-under and side-by-side installation

If you want to install 2 refrigerating appliances one over the other or side by side, you must maintain a clearance of at least 150 mm between the appliances. Selected appliances can be installed without a minimum clearance. Ask your dealer or kitchen planner about this.

¹ Depending on the appliance specifications

² Not in all countries

4.3 Installing the appliance

- ▶ Install the appliance in accordance with the enclosed installation instructions.

4.4 Preparing the appliance for the first time

1. Remove the informative material.
2. Remove the protective foil and transit bolts, e.g. remove the adhesive strips and carton.
3. Clean the appliance for the first time. → *Page 24*

4.5 Connecting the appliance to the electricity supply

1. Insert the mains plug of the appliance's power cable in a socket nearby.

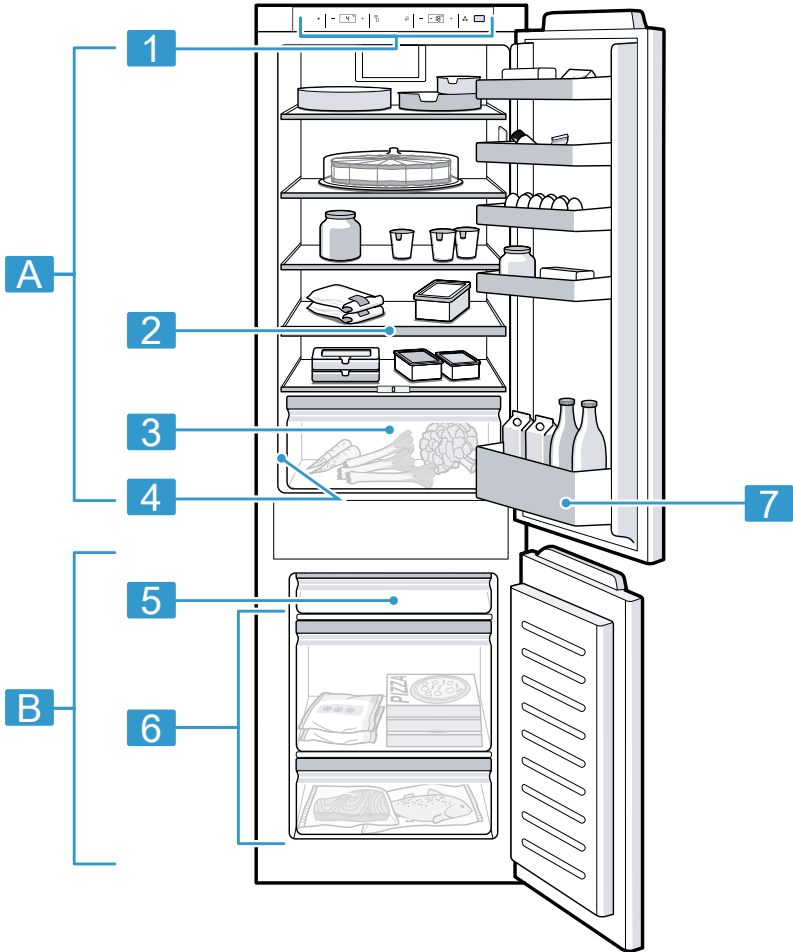
The connection data of the appliance can be found on the rating plate. → "*Appliance*", Fig. **1/4**, *Page 13*

2. Check the mains plug is inserted properly.
- ✓ The appliance is now ready for use.

5 Familiarising yourself with your appliance

5.1 Appliance

You can find an overview of the parts of your appliance here.



1

A Refrigerator compartment
→ Page 21

B Freezer compartment
→ Page 22

1 Control panel → Page 13

2 Extendable shelf → Page 14

3 Fruit and vegetable container with humidity control
→ Page 14

4 Rating plate → Page 32

5 Flat frozen food container
→ Page 15

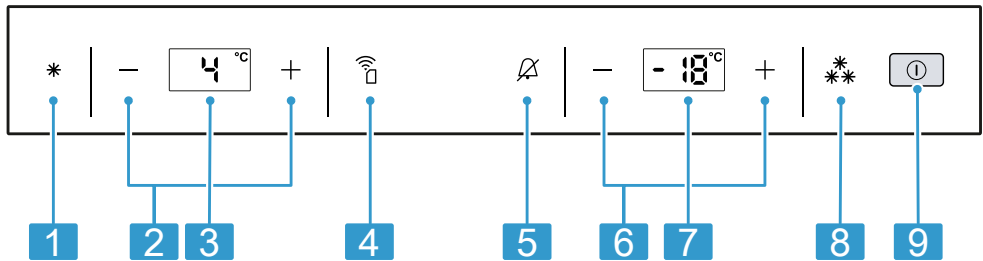
6 Frozen food container
→ Page 26

7 Door storage compartment for large bottles → Page 15

Note: Deviations between your appliance and the diagrams may differ with regard to their features and size.

5.2 Control panel

You can use the control panel to configure all functions of your appliance and to obtain information about the operating status.



2

1 * (Refrigerator compartment) switches Fast cooling on or off.

2 -/+ (Refrigerator compartment) sets the temperature of the refrigerator compartment.

3 Displays the set temperature for the refrigerator compartment in °C.

4 opens the menu for setting Home Connect.

5 switches the warning signal off.

6 -/+ (Freezer compartment) sets the temperature of the freezer compartment.

7 Displays the set temperature for the freezer compartment in °C.

8 *** (Freezer compartment) switches Fast freezing on or off.

9 switches the appliance on or off.

6 Features

The features of your appliance depend on the model.

6.1 Shelf

To vary the shelf as required, you can remove the shelf and re-insert it elsewhere.

→ "Removing the shelf", Page 25

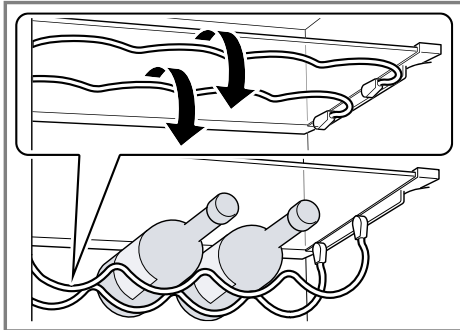
6.2 Extendable shelf

In order to achieve an improved overview and to remove food more quickly, pull out the extendable shelf.

6.3 Folding bottle shelf

Store bottles securely on the folding bottle shelf.

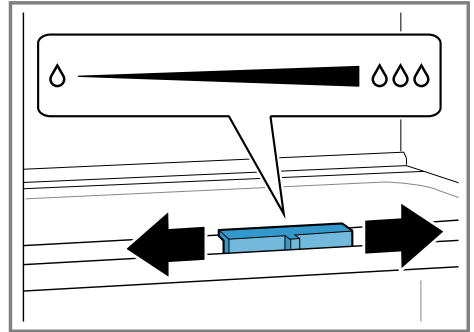
To use the bottle shelf, fold the metal bracket down.



6.4 Fruit and vegetable container with humidity control

Store fresh fruit and vegetables loose in the fruit and vegetable container. Cover any chopped fruit and vegetables, or store in air-tight packaging. You can adjust the humidity in the fruit and vegetable container using the humidity controller and a special

seal. This allows fresh fruit and vegetables to be stored for up to twice as long as with conventional storage.



The air humidity in the fruit and vegetable container can be set according to the type and amount of food to be stored by moving the humidity controller:

- Low humidity Δ required when primarily storing fruit or mixed items, or if the appliance is very full.
- High humidity $\Delta\Delta\Delta$ required when primarily storing vegetables or when the appliance is not very full.

Condensation may form in the fruit and vegetable container depending on the food and quantity stored. Remove the condensation with a dry cloth and adjust the air humidity to a lower setting using the humidity controller.

To ensure that the quality and aroma are retained, store fruit and vegetables that are sensitive to cold outside of the appliance at temperatures of approx. 8 °C to 12 °C, e.g. pineapple, bananas, citrus fruits, cucumbers, courgettes, peppers, tomatoes and potatoes.

6.5 Flat frozen food container

Store flat frozen items, the ice storage container and the ice scoop in the flat frozen food container.

6.6 Door rack

To adjust the door rack as required, you can remove the door rack and re-insert elsewhere.

→ "Removing door rack", Page 26

6.7 Accessories

Use original accessories. These have been made especially for your appliance.

The accessories for your appliance depend on the model.

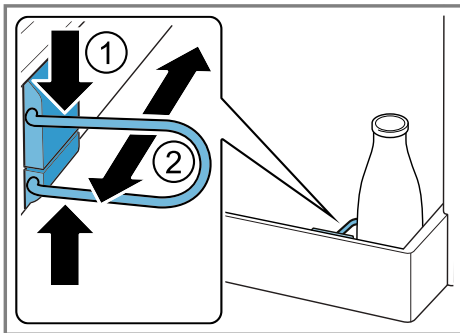
Egg tray

Store eggs safely on the egg tray.

Bottle holder

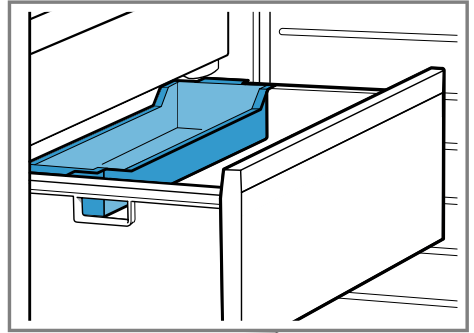
The bottle holder prevents bottles from falling over when the appliance door is opened and closed.

Press the metal bracket together ① and slide the bottle tray as close to the bottle as possible ②.



Freezer tray

You can freeze smaller quantities of food quickly in the freezer drawer, e.g. berries, pieces of fruit, herbs and vegetables.



Distribute the frozen food evenly in the frozen food tray and allow to freeze for approx. 10 to 12 hours. Then place in a freezer bag or a freezer box.

Ice pack

Use the ice pack for temporarily keeping food cool, e.g. in a cool bag.

Tip: If a power failure or malfunction occurs, the ice pack can be used to slow down the thawing process for the stored frozen food.

Ice cube tray

Use the ice cube tray to make ice cubes.





Making ice cubes

Use only drinking water to make ice cubes.

1. Fill the ice cube tray with drinking water up to $\frac{3}{4}$ and place in the freezer compartment.
If the ice cube tray is stuck to the freezer compartment, loosen it with a blunt implement only (e.g. spoon handle).
2. To loosen the ice cubes, twist the ice cube tray slightly or hold it briefly under flowing water.

7 Basic operation

7.1 Switching on the appliance

1. Press .
 - ✓ The appliance begins to cool.
 - ✓ A warning signal sounds, the temperature display (freezer compartment) flashes and  lights up because the freezer compartment is still too warm.
2. Switch off the warning tone using .
 - ✓  goes out as soon as the set temperature has been reached.
3. Set the required temperature.
→ *Page 16*

7.2 Operating tips

- Once you have switched on the appliance, the set temperature is only reached after several hours. Do not put any food in the appliance until the set temperature has been reached.
- The housing around the freezer compartment is temporarily heated slightly. This prevents condensation in the area of the door seal.
- When you close the door, a vacuum may be created. The door is then difficult to open again. Wait a moment until the vacuum is offset.

7.3 Switching off the appliance

- ▶ Press .

7.4 Setting the temperature

Setting the refrigerator compartment temperature

- ▶ Press $-/+$ (Refrigerator compartment) repeatedly until the temperature display (refrigerator compartment) shows the required temperature.

The recommended temperature in the refrigerator compartment is 4 °C.

→ *"OK" sticker", Page 21*

Setting the freezer compartment temperature

- ▶ Press $-/+$ (Freezer compartment) repeatedly until the temperature display (freezer compartment) shows the required temperature.

The recommended temperature in the freezer compartment is -18 °C.

8 Additional functions



8.1 Fast cooling

With Fast cooling, the refrigerator compartment cools as cold as possible.

Switch on Fast cooling before placing large quantities of food.

Note: When Fast cooling is switched on, increased noise may occur.

Switching on Fast cooling

- ▶ Press  (Refrigerator compartment).
- ✓  (Refrigerator compartment) lights up.

Note: After approx. 15 hours, the appliance switches to normal operation.

Switching off Fast cooling

- ▶ Press * (Refrigerator compartment).
- ✓ The previously set temperature is displayed.

8.2 Automatic Fast freezing

With automatic Fast freezing, the freezer compartment cools down to a much lower temperature than in normal mode. This freezes food more quickly.

The automatic Fast freezing switches on if you place fresh food in the frozen food tray that is attached to the rear of the large frozen food container or in the flat frozen food containers, starting from the right-hand side.

If the automatic Fast freezing is switched on, ** (Freezer compartment) lights up and increased noises may occur.

After operation, the appliance switches from automatic Fast freezing to normal operation.

Cancelling automatic Fast freezing

- ▶ Press ** (Freezer compartment).
- ✓ The previously set temperature is displayed.

8.3 Manual Fast freezing

With Fast freezing, the freezer compartment cools as cold as possible. Switch on Fast freezing four to six hours before placing food weighing 2 kg or more into the freezer compartment.

In order to utilise the freezer capacity, use Fast freezing.

→ "Prerequisites for freezing capacity", Page 22

Note: When Fast freezing is switched on, increased noise may occur.

Switching on manual Fast freezing

- ▶ Press ** (Freezer compartment).
- ✓ ** (Freezer compartment) lights up.

Note: After approx. 60 hours, the appliance switches to normal operation.

Switching off manual Fast freezing

- ▶ Press ** (Freezer compartment).
- ✓ The previously set temperature is displayed.

8.4 Holiday mode

If you are going to be away for a long time, you can switch on energy-saving holiday mode on the appliance.

CAUTION

Risk of harm to health!

The refrigerator compartment heats up while the holiday mode is switched on. The increased temperature may cause bacteria to increase and spoil the food.

- ▶ When the holiday mode is switched on, do not store any food in the refrigerator compartment.

The appliance automatically sets the temperatures.

Refrigerator compartment	14 °C
Freezer compartment	Temperature remains unchanged

Switching on holiday mode

- ▶ Press + (Refrigerator compartment) repeatedly until the temperature display (refrigerator compartment) shows **Ho**.
- ✓ No temperature is shown in the temperature display (refrigerator compartment).

Switching off holiday mode

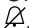
- ▶ Press — (Refrigerator compartment) repeatedly until the temperature display (refrigerator compartment) shows the required temperature.

9 Alarm


9.1 Door alarm

If the appliance door is open for a while, the door alarm switches on. A warning tone sounds.

Switching off the door alarm

- ▶ Close the appliance door or press .
- ✓ The warning tone is switched off.

9.2 Temperature alarm

If the freezer compartment becomes too warm, the temperature alarm is switched on. A warning tone sounds and  lights up.

CAUTION

Risk of harm to health!

During the thawing process, bacteria may multiply and spoil the frozen food.

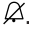

- ▶ Do not refreeze food after it has been defrosted or started to defrost.
- ▶ Refreeze food only after cooking.

- ▶ These items should no longer be stored for the maximum storage period.

The temperature alarm can be switched on in the following cases:

- The appliance is switched on. Do not store any food until the appliance has reached the set temperature.
- Large quantities of fresh food are being placed inside. Switch on Fast freezing before placing large quantities of food in the appliance.
- The freezer compartment door is open for too long. Check whether the frozen food has defrosted or thawed.

Switching off the temperature alarm

- ▶ Press .
- ✓ The warning tone is switched off.
- ✓ The temperature display (freezer compartment) briefly indicates the warmest temperature reached in the freezer compartment. The temperature display (freezer compartment) then indicates the set temperature again.
- ✓ From this time on, the warmest temperature is measured again and saved.
- ✓  lights up until the set temperature is reached again.

10 Home Connect

This appliance is network-capable. Connect your appliance to a mobile device to control its functions via the Home Connect app.

The Home Connect services are not available in every country. The availability of the Home Connect function depends on the availability of

Home Connect services in your country. You can find information about this at: www.home-connect.com.

To be able to use Home Connect, you must first set up the connection to the WLAN home network (Wi-Fi¹) and to the Home Connect app. After switching on the appliance, wait at least 2 minutes until internal device initialisation is complete. Only then should you set up Home Connect.

The Home Connect app guides you through the entire login process. Follow the instructions in the Home Connect app to configure the settings.

Tips

- Please consult the documents supplied by Home Connect.
- Please also follow the instructions in the Home Connect app.

Notes

- Please note the safety precautions in this instruction manual and make sure that they are also observed when operating the appliance via the Home Connect app.
→ "Safety", Page 4
- Operating the appliance on the appliance itself always takes priority. During this time it is not possible to operate the appliance using the Home Connect app.

10.1 Setting up Home Connect

Requirement: The Home Connect app has been installed on your mobile device.


1. Scan the QR code using the Home Connect app.



2. Follow the instructions in the Home Connect app.

10.2 Checking the signal strength

You should check the signal strength if no connection could be established.

1. Press .
 - ✓ The temperature display (refrigerator compartment) shows **1n**.
2. Press **-/+** (Refrigerator compartment) repeatedly until the temperature display (refrigerator compartment) shows **5l**.
 - ✓ The temperature display (freezer compartment) shows a value between **0** (no reception) and **3** (full reception).

Note: The signal strength should be at least **2**.

Improving the reception

If the signal strength is too weak, the connection may be interrupted.

- ▶ Carry out one of the solution options:
 - Place the router and refrigerator closer together.

¹ Wi-Fi is a registered trademark of the Wi-Fi Alliance.

- Ensure that the connection is not interfered with by screening walls.
- Install a repeater to strengthen the signal.

10.3 Installing updates for the Home Connect software

The appliance searches for updates to the Home Connect software at regular intervals.

Note: If updates are available, the temperature display (refrigerator compartment) shows **UP**.

To reset the update and the temperature display (refrigerator compartment) to the set temperature, press any touch field.

1. Press **ⓘ**.
 - ✓ The temperature display (refrigerator compartment) shows **Ln**.
2. Press **-/+** (Refrigerator compartment) repeatedly until the temperature display (refrigerator compartment) shows **UP** and the temperature display (freezer compartment) shows **OF**.
3. Press **-/+** (Freezer compartment).
 - ✓ The temperature display (freezer compartment) shows an animation.
 - ✓ The update is installed.
 - ✓ The control panel is locked during the installation.
 - ✓ If the installation is successful, the temperature display (freezer compartment) shows **On**.
4. If the temperature indicator (freezer compartment) shows **Er**, the appliance was unable to install the update.
 - Repeat the process at a later point.
5. If the update cannot be completed after several attempts, contact customer service → Page 32 .

10.4 Resetting Home Connect settings

If your appliance experiences connection problems with the WLAN home network (Wi-Fi) or your appliance wants to log into a different WLAN home network (Wi-Fi), you can reset the Home Connect settings.

1. Press **ⓘ**.
 - ✓ The temperature display (refrigerator compartment) shows **Ln**.
2. Press **-/+** (Refrigerator compartment) repeatedly until the temperature display (refrigerator compartment) shows **Er** and the temperature display (freezer compartment) shows **OF**.
3. Press **-/+** (Freezer compartment).
 - ✓ The temperature display (freezer compartment) shows an animation for 15 seconds.
 - ✓ The temperature display (freezer compartment) shows **OF**.
 - ✓ The Home Connect settings have been reset.

10.5 Data protection

Please see the information on data protection.

The first time your appliance is registered on a home network connected to the Internet, your appliance will transmit the following types of data to the Home Connect server (initial registration):

- Unique appliance identification (consisting of appliance codes as well as the MAC address of the Wi-Fi communication module installed).
- Security certificate of the Wi-Fi communication module (to ensure a secure data connection).
- The current software and hardware version of your appliance.

- Status of any previous reset to factory settings.

This initial registration prepares the Home Connect functions for use and is only required when you want to use the Home Connect functions for the first time.

Note: Please note that the Home Connect functions can only be utilised with the Home Connect app. Information on data protection can be retrieved in the Home Connect app.

11 Refrigerator compartment

You can keep meat, sausage, fish, dairy products, eggs, prepared meals and pastries in the refrigerator compartment.

The temperature can be set from 2 °C to 8 °C.

The refrigerator compartment can also be used to store highly perishable foods in the short to medium term. The lower the selected temperature, the longer the food remains fresh.

11.1 Tips for storing food in the refrigerator compartment

- Only store food when fresh and undamaged.
- Store food covered or in air-tight packaging.
- To avoid impeding the circulation of air and to prevent food from freezing, do not place food so that it has direct contact with the back wall.
- Allow hot food and drinks to cool down first before placing in the appliance.

- Observe the best-before date or use-by date specified by the manufacturer.

11.2 Chill zones in the refrigerator compartment

The air circulation in the refrigerator compartment creates different chill zones.

Coldest zone

The coldest zone is between the arrow stamped on the side and the shelf underneath.

Tip: Store highly perishable food such as fish, sausages and meat in the coldest zone.

Warmest zone

The warmest zone is at the very top of the door.

Tip: Store food that does not spoil easily in the warmest zone, e.g. hard cheese and butter. Cheese can then continue to release its aroma and the butter will still be easy to spread.

11.3 "OK" sticker

The "OK" sticker lets you check whether the refrigerator compartment reaches the safe temperature ranges of +4 °C or colder recommended for food.

The "OK" sticker is not included with all models.

If the sticker does not indicate "OK", gradually reduce the temperature.

→ *"Setting the refrigerator compartment temperature", Page 16*

Once the appliance is switched on, it may take up to 12 hours until the set temperature is reached.



Correct setting

12 Freezer compartment

You can store frozen food, freeze food and make ice cubes in the freezer compartment.

The temperature can be set from $-16\text{ }^{\circ}\text{C}$ to $-24\text{ }^{\circ}\text{C}$.

Long-term storage of food should be at $-18\text{ }^{\circ}\text{C}$ or lower.

The freezer compartment can be used to store perishable food long-term. The low temperatures slow down or stop the spoilage.

12.1 Freezing capacity

The freezing capacity indicates the quantity of food that can be frozen right through to the centre within a specific period of time.

Information on freezing capacity can be found on the rating plate. → "Appliance", Fig. **1/4**, Page 13

Prerequisites for freezing capacity

1. Approx. 24 hours before placing fresh food in the appliance, switch on Fast freezing.
→ "Switching on manual Fast freezing", Page 17
2. If the appliance has a flat frozen food container, fill this with food first. For appliances without a flat frozen food container, fill the lowest frozen food container with food first.
3. Freeze fresh food as close as possible to the side panels.

12.2 Fully utilising the freezer compartment volume

Learn how to store the maximum amount of frozen food in the freezer compartment.

1. Remove all fittings from the freezer compartment. → Page 25
2. Store food directly on the shelves and on the floor of the freezer compartment.

12.3 Tips for storing food in the freezer compartment

- Store food in air-tight packaging.
- Do not bring food which is to be frozen into contact with frozen food.
- Place the food over the whole area of the frozen food containers.
- To quickly and gently freeze larger quantities of fresh food, place this in the top frozen food container.
- To ensure that the air can circulate freely in the appliance, push the frozen food containers in as far as they will go.

12.4 Tips for freezing fresh food

- Freeze fresh and undamaged food only.
- Freeze food in portions.
- Cooked food is more suitable than food that can be eaten raw.
- Vegetables: Wash, chop up and blanch before freezing.
- Fruit: Wash, pit and perhaps peel, possibly add sugar or ascorbic acid solution.
- Food that is suitable for freezing includes baked items, fish and seafood, meat, game, poultry, eggs without shells, cheese, butter and quark, ready meals and leftovers.

- Food that is unsuitable for freezing includes lettuce, radishes, eggs in shells, grapes, raw apples and pears, yoghurt, sour cream, crème fraîche and mayonnaise.

Packing frozen food

If you select suitable packaging material and the correct type of packaging, you can determine the product quality and prevent freezer burn.

1. Place the food in the packaging.
2. Squeeze out the air.
3. Pack food airtight to prevent it from losing flavour and drying out.
4. Label the packaging with the contents and the date of freezing.

12.5 Shelf life of frozen food at $-18\text{ }^{\circ}\text{C}$

Food	Storage time
Fish, sausages, prepared meals and baked goods	up to 6 months
Poultry, meat	up to 8 months
Vegetables, fruit	up to 12 months

12.6 Defrosting methods for frozen food

CAUTION

Risk of harm to health!

During the thawing process, bacteria may multiply and spoil the frozen food.

- ▶ Do not refreeze food after it has been defrosted or started to defrost.
- ▶ Refreeze food only after cooking.
- ▶ These items should no longer be stored for the maximum storage period.

- Defrost animal-based food, such as fish, meat, cheese, quark, in the refrigerator compartment.
- Defrost bread at room temperature.
- Prepare food for immediate consumption in the microwave, in the oven or on the hob.

13 Defrosting

13.1 Defrosting in the refrigerator compartment

When the appliance is operating, condensation droplets or frost form on the rear panel of the refrigerator compartment due to functional reasons. The back panel in the refrigerator compartment defrosts automatically.

Condensation runs through the condensation channel into the drainage hole to the evaporation pan and does not have to be wiped away.

To ensure that the condensation can drain and odours do not form, observe the following information:

→ "Cleaning the condensation channel and drainage hole", Page 25.

13.2 Defrosting in the freezer compartment

The freezer compartment does not defrost automatically. A layer of hoarfrost in the freezer compartment impairs refrigeration of the frozen food and increases power consumption.

Defrosting the freezer compartment

Regularly defrost the freezer compartment.

1. Switch on Fast freezing approx. four hours before defrosting.
→ "Switching on manual Fast freezing", Page 17

This means that the food reaches very low temperatures and it can be stored for longer at room temperature.

2. Remove the frozen food container with the frozen food and temporarily place it in a cool location. Place ice packs (if available) on the frozen food.
3. Switch off the appliance.
→ Page 16
4. Disconnect the appliance from the power supply.
Unplug the appliance from the mains or switch off the circuit breaker in the fuse box.
5. To accelerate the defrosting process, place a pan of hot water on a trivet in the freezer compartment.
6. Wipe up the condensation water with a soft cloth or sponge.
7. Rub the freezer compartment dry with a soft, dry cloth.
8. Electrically connect the appliance.
→ Page 11
9. Switch on the appliance.
→ Page 16
10. Reinsert the frozen food containers with the frozen food.

14 Cleaning and servicing

To keep your appliance working efficiently for a long time, it is important to clean and maintain it carefully. Customer Service must clean inaccessible points. Cleaning by customer service can give rise to costs.

14.1 Preparing the appliance for cleaning

1. Switch off the appliance.
→ Page 16
2. Disconnect the appliance from the power supply.
Unplug the appliance from the mains or switch off the circuit breaker in the fuse box.
3. Take out all of the food and store it in a cool place.
Place ice packs (if available) onto the food.
4. If there is a layer of hoarfrost, allow this to defrost.
5. Remove all fittings and accessories from the appliance.
→ Page 25
6. Remove the shelf above the fruit and vegetable container.
→ Page 26

14.2 Cleaning the appliance

 **WARNING**
Risk of electric shock!

An ingress of moisture can cause an electric shock.

- ▶ Do not use steam- or high-pressure cleaners to clean the appliance.

Liquid in the lighting or in the controls can be dangerous.

- ▶ The rinsing water must not drip into the lighting or controls.

ATTENTION!

Unsuitable cleaning products may damage the surfaces of the appliance.

- ▶ Do not use hard scouring pads or cleaning sponges.
- ▶ Do not use harsh or abrasive detergents.
- ▶ Do not use cleaning products with a high alcohol content.

If liquid gets into the drainage hole, the evaporation pan may overflow.

- ▶ The rinsing water must not get into the drainage hole.

If you clean fittings and accessories in the dishwasher, this may cause them to become deformed or discoloured.

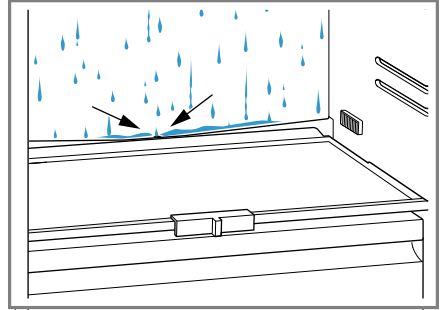
- ▶ Never clean fittings and accessory in the dishwasher.

1. Prepare the appliance for cleaning.
→ *Page 24*
2. Clean the appliance, the fittings, the accessories and the door seals with a dish cloth, lukewarm water and a little pH-neutral washing-up liquid.
3. Dry thoroughly with a soft, dry cloth.
4. Insert the fittings and install the appliance components.
5. Electrically connect the appliance.
→ *Page 11*
6. Switch on the appliance.
→ *Page 16*
7. Putting the food into the appliance.

14.3 Cleaning the condensation channel and drainage hole

Regularly clean the condensation channel and drainage hole to ensure that the condensation can drain.

- ▶ Carefully clean the condensation channel and the drainage hole, e.g. using a cotton bud.

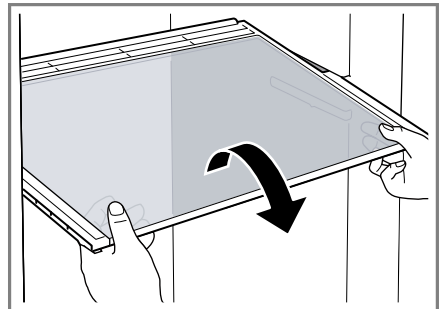


14.4 Removing the fittings

If you want to clean the fittings thoroughly, remove these from your appliance.

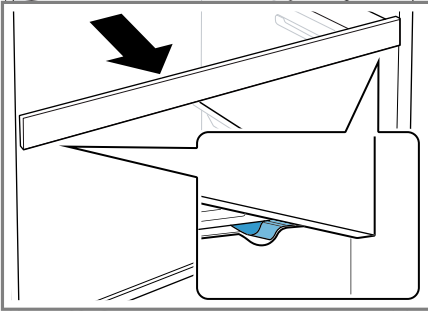
Removing the shelf

- ▶ Pull out and remove the shelf.



Removing the extendable shelf

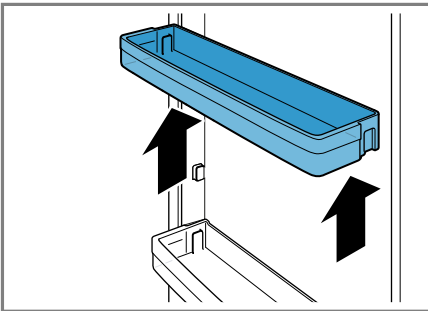
1. Firmly pull out the extendable shelf until the locking catch is released.



2. Lower the shelf and swing it out to the side.

Removing door rack

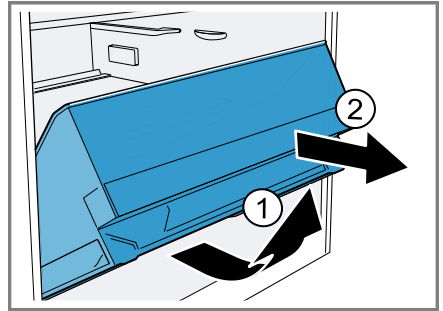
- ▶ Lift the door rack and remove it.



Removing the fruit and vegetable container

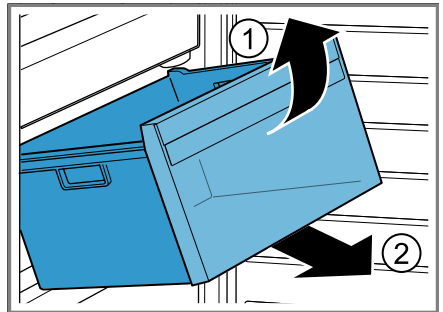
1. Pull out the fruit and vegetable container as far as it will go.

2. Lift the fruit and vegetable container at the front (1) and remove it (2).



Removing the frozen food container

1. Take out the frozen food container as far as it will go.
2. Lift the frozen food container at the front (1) and remove it (2).



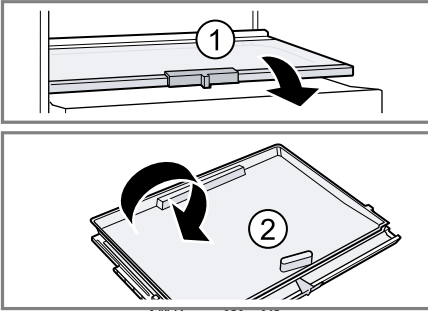
14.5 Removing appliance components

If you want to clean your appliance thoroughly, you can remove certain components from your appliance.

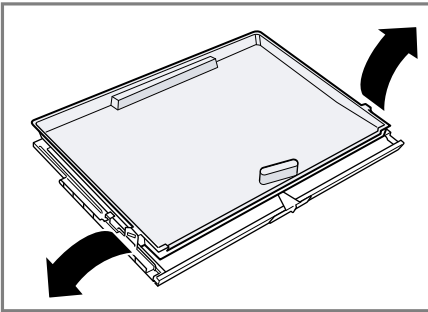
Removing the shelf above the fruit and vegetable container

1. Pull out the fruit and vegetable container.

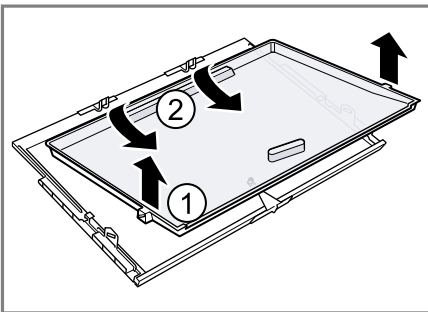
2. Remove the shelf ① and rotate it ②.



3. Press the fastenings for the lower cover outwards.



4. Lift the cover at the front ① and pull it out at the rear ②.



15 Troubleshooting

You can rectify minor faults on your appliance yourself. Read the troubleshooting information before contacting after-sales service. This will avoid unnecessary costs.

WARNING

Risk of electric shock!

Incorrect repairs are dangerous.

- ▶ Repairs to the appliance should only be carried out by trained specialist staff.
- ▶ Only use genuine spare parts when repairing the appliance.
- ▶ If the power cord of this appliance is damaged, it must be replaced by the manufacturer, the manufacturer's Customer Service or a similarly qualified person in order to prevent any risk.

Fault	Cause and troubleshooting
The appliance is not cooling, the displays and lighting are lit.	Showroom mode is switched on. <ul style="list-style-type: none"> ▶ Carry out the appliance self-test. → <i>Page 31</i> ✓ Once the appliance self-test has ended, the appliance switches to normal operation.
The LED lighting does not work.	Different causes are possible. <ul style="list-style-type: none"> ▶ Call customer service. The customer service number can be found in the enclosed customer service directory.
Home Connect is not working properly.	Different causes are possible. <ul style="list-style-type: none"> ▶ Go to www.home-connect.com.
E or d appears in the temperature display.	The electronics have detected a fault. <ol style="list-style-type: none"> 1. Switch off the appliance. → <i>Page 16</i> 2. Disconnect the appliance from the mains. Unplug the appliance from the mains or switch off the circuit breaker in the fuse box. 3. Reconnect the appliance after five minutes. 4. If the message still appears on the display, call customer service. The customer service number can be found in the enclosed customer service directory.

Fault	Cause and troubleshooting
The temperature display (freezer compartment) flashes.	<p>The temperature in the freezer compartment was too warm.</p> <ol style="list-style-type: none"> 1. Press ⏻. <ul style="list-style-type: none"> ✓ The temperature display (freezer compartment) briefly indicates the warmest temperature reached in the freezer compartment. The temperature display (freezer compartment) then indicates the set temperature again. 2. Press ⏻. <ul style="list-style-type: none"> ✓ The temperature display (freezer compartment) no longer flashes.
A warning tone sounds, the temperature display (freezer compartment) flashes and ⏻ lights up.	<p>Different causes are possible.</p> <ul style="list-style-type: none"> ▶ Press ⏻. ✓ The alarm is switched off.
	<p>The appliance door is open.</p> <ul style="list-style-type: none"> ▶ Close the appliance door.
	<p>External ventilation openings are covered up.</p> <ul style="list-style-type: none"> ▶ Remove any obstructions from in front of the external ventilation openings.
The temperature differs greatly from the setting.	<p>Larger quantities of fresh food have been put in.</p> <ul style="list-style-type: none"> ▶ Do not exceed the max. freezing capacity. → "Freezing capacity", Page 22
	<p>Different causes are possible.</p> <ol style="list-style-type: none"> 1. Switch off the appliance. → Page 16 2. Switch the appliance back on after five minutes. → Page 16 <ul style="list-style-type: none"> - If the temperature is too warm, check the temperature again after a couple of hours. - If the temperature is too cold, check the temperature again on the following day.
The base of the refrigerator compartment is wet.	<p>The condensation channel or drainage hole are blocked.</p> <ul style="list-style-type: none"> ▶ Clean the condensation channel and the drainage hole. → Page 25
The appliance hums, bubbles, buzzes, gargles or clicks.	<p>Not a fault. A motor is running, e.g. refrigerating unit, fan. Refrigerant flows through the pipes. The motor, switches or solenoid valves are switching on or off. No action required.</p>
The appliance makes noises.	<p>Fittings wobble or stick.</p> <ul style="list-style-type: none"> ▶ Check the removable fittings and, if required, replace these.

Fault	Cause and troubleshooting
The appliance makes noises.	Bottles or containers are touching. <ul style="list-style-type: none">▶ Move the bottles or containers away from each other. Fast freezing is switched on. No action required.

15.1 Power failure

During a power failure, the temperature in the appliance rises; this reduces the storage time and the quality of the frozen food.

On the website for your appliance, the technical data provides you with the storage times for frozen food in the event of a fault.

Notes

- Open the appliance as little as possible during a power failure and do not place any other food in the appliance.
- Check the quality of the food immediately after a power failure.
 - Dispose of any frozen food that has defrosted and is hotter than 5 °C.
 - Cook or fry slightly thawed frozen food, and then either consume it or freeze it again.

15.2 Conducting an appliance self-test

Your appliance has an appliance self-test which displays faults that can be eliminated by your customer service.

1. Switch off the appliance.
→ *Page 16*
2. Switch the appliance back on after approx. five minutes. → *Page 16*
3. Within the first 10 seconds after switching on, press and hold ****** (Freezer compartment) for 3 to 5 seconds until an audible signal sounds.
 - ✓ The appliance self-test starts.
 - ✓ While the appliance self-test is running, a long audible signal sounds.
 - ✓ If, at the end of the appliance self-test, two audible signals sound and the temperature display indic-

ates the set temperature, your appliance is OK. The appliance switches to normal operation.

- ✓ If, at the end of the appliance self-test, 5 audible signals sound and ****** (Freezer compartment) flashes for 10 seconds, inform customer service.

16 Storage and disposal

16.1 Taking the appliance out of operation

1. Switch off the appliance.
→ *Page 16*
2. Disconnect the appliance from the power supply.
Unplug the appliance from the mains or switch off the circuit breaker in the fuse box.
3. Remove all of the food.
4. Defrost the appliance. → *Page 23*
5. Clean the appliance. → *Page 24*
6. To guarantee the ventilation inside the appliance, leave the appliance open.

16.2 Disposing of old appliance

Valuable raw materials can be re-used by recycling.

WARNING **Risk of harm to health!**

- Children can lock themselves in the appliance, thereby putting their lives at risk.
- ▶ Leave shelves and containers inside the appliance to prevent children from climbing in.
 - ▶ Keep children away from the redundant appliance.

⚠ WARNING
Risk of fire!

If the tubes are damaged, flammable refrigerant and harmful gases may escape and ignite.

- ▶ Do not damage the tubes of the refrigerant circuit or the insulation.

1. Unplug the appliance from the mains.
2. Cut through the power cord.
3. Dispose of the appliance in an environmentally friendly manner.

Information about current disposal methods are available from your specialist dealer or local authority.



This appliance is labelled in accordance with European Directive 2012/19/EU concerning used electrical and electronic appliances (waste electrical and electronic equipment - WEEE). The guideline determines the framework for the return and recycling of used appliances as applicable throughout the EU.

17 Customer Service

Function-relevant genuine spare parts according to the corresponding Eco-design Order can be obtained from Customer Service for a period of at least 10 years from the date on which your appliance was placed on the market within the European Economic Area.

Note: Under the terms of the manufacturer's warranty applicable to the location, the use of Customer Service is free of charge. The minimum dura-

tion of the warranty (manufacturer's warranty for private consumers) in the European Economic Area is 2 years according to the terms of warranty applicable to the location. The terms of warranty do not affect other rights or claims held by yourself under local legislation.

Detailed information on the warranty period and terms of warranty in your country is available from our after-sales service, your retailer or on our website.

If you contact Customer Service, you will require the product number (E-Nr.) and the production number (FD) of your appliance.

The contact details for Customer Service can be found in the enclosed Customer Service directory or on our website.

17.1 Product number (E-Nr.) and production number (FD)

You can find the product number (E-Nr.) and the production number (FD) on the appliance's rating plate.

→ "Appliance", Fig. **1/4**, Page 13
Make a note of your appliance's details and the Customer Service telephone number to find them again quickly.

18 Technical data

Refrigerant, cubic capacity and further technical specifications can be found on the rating plate.

→ "Appliance", Fig. **1/4**, Page 13
This product contains a light source from energy efficiency class F. The light source is available as a spare part and should only be replaced by trained specialist staff.

You can find more information about your model online at <https://eprel.ec.europa.eu/>¹. This web address is linked to the official EU EPREL product database. Please then follow the instructions on searching for the model. The model identifier is made up of the characters before the slash in the product number (E-Nr.) on the rating plate. Alternatively, you can also find the model identifier in the first line of the EU energy label.



Only applies to Great Britain
2.4 GHz band (2400–2483.5 MHz):
Max. 100 mW

19 Declaration of Conformity

BSH Hausgeräte GmbH hereby declares that the appliance with Home Connect functionality conforms to the basic requirements and other relevant provisions of Directive 2014/53/EU.

A detailed RED Declaration of Conformity can be found online at www.gaggenau.com among the additional documents on the product page for your appliance.



Hereby, BSH Hausgeräte GmbH declares that the appliance with Home Connect functionality is in compliance with relevant statutory requirements.²

A detailed Declaration of Conformity can be found online at www.gaggenau.com/gb among the additional documents on the product page for your appliance.²

¹ Only applies to countries in the European Economic Area

² Only applies to Great Britain

BSH Hausgeräte GmbH
Carl-Wery-Straße 34
81739 München, GERMANY
www.gaggenau.com

Valid within Great Britain:
Imported to Great Britain by
BSH Home Appliances Ltd.
Grand Union House
Old Wolverton Road
Wolverton, Milton Keynes
MK12 5PT
United Kingdom

GAGGENAU



9001598623 en 020623