



VG 232 220CA

Black control panel
Width 12" (28 cm)
Natural gas. For conversion to LP gas, LP kit (part#10009476) must be ordered.

Installation accessories

VV 200 010
Stainless steel connection strip for combination with other Vario appliances of the 200 series

VV 200 020
Black connection strip for combination with other Vario appliances of the 200 series

Optional accessories

VD 200 020
Black appliance cover

LS 041 001
Stainless steel, removable air deflector for gas Vario next to VL 200 downdraft.

Combinable with:

VL200120
AI442720 / AI442760
AW442720 / AW442760
AI230700
AW230790
AF210791 / AF210761

Good to know:

Wall installations require the hood to be as large as the cooktop(s). Island installations require the hood to be larger than the cooktop(s).

Vario 200 series gas cooktop

VG 232

- Can be combined with other Vario 200 series products
- Control panel for comfortable and secure operation
- Mechanical power level regulation for 9 power levels, with exact setting and reproduction of flame size
- Solid smooth-surface cast iron pan supports for easy and safe positioning of cookware

Cooking zones

1 high output burner 1,900 BTU – 10,200 BTU (560 W – 3,000 W), suitable for pots up to max. \varnothing 8 $\frac{3}{8}$ " (22 cm).

1 standard burner 1,300 BTU – 6,500 BTU (380 W – 1900 W), suitable for pots up to max. \varnothing 7 $\frac{7}{8}$ " (20 cm).

Operation

Control knobs with illuminated ring. Integrated control panel. One-handed operation. Electric ignition.

Features

Cast iron pan support with continuous pot surface. Enameled burner cover.

Safety

Thermoelectric safety pilot. Residual heat indication. Operation indicator.

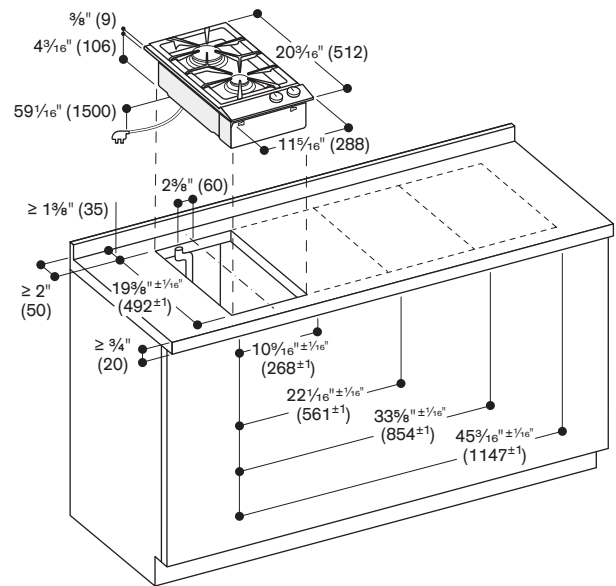
Planning notes

Equipped for natural gas. For conversion to LP gas, LP kit (part#10009476) must be ordered.

Appliance can be snapped into the countertop from above. A minimum clearance of at least 6" (150 mm) from adjacent heat-sensitive cabinet or contact surfaces must be observed or thermal insulation fitted. With a total connected load of more than 37,533 BTU (11 kW) local regulations concerning room ventilation, room size and combination of extraction or recirculation hoods must be observed. Minimum clearance between gas cooktop(s) with more than 37,533 BTU (11 kW) and ventilation hood 27 $\frac{1}{2}$ " (70 cm). Appliance weight: approx. 19.8 lbs (9 kg).

Rating

Rating: 10 W (16,700 BTU)
Minimum fuse protection: 15 A
Electrical: 120 V / 60 Hz
Electrical Connection:
Plan for a 59" long connecting cable with 3 prong NEMA 5-15 plug.



Minimum distance from the appliance cut-out to the side wall 11 $\frac{13}{16}$ " (300 mm).

Gas connection

