



CI 292 602

Frameless
Width 36" (90 cm)

Included accessories

CA 060 600
Cooking sensor for temperature regulation within pots.
For flex induction cooktop.

Optional accessories

CA 051 300
Teppan Yaki made of multi ply material
For flex induction cooktop.

CA 060 600
Cooking sensor for temperature regulation within pots.
For flex induction cooktop.

CA 230 100
Black magnetic twist control knob
For flex induction cooktop.

GP 900 001
Stainless steel frying sensor pan
Non-stick coating, ø 6".

GP 900 002
Stainless steel frying sensor pan
Non-stick coating, ø 7".

GP 900 003
Stainless steel frying sensor pan
Non-stick coating, ø 8".

GP 900 004
Stainless steel frying sensor pan
Non-stick coating, ø 11".

Combinable with:

AL400791
AI442720
AW442720
AI230700
AW230790
AF210791

Good to know:

Wall installations require the hood to be as large as the cooktop(s). Island installations require the hood to be larger than the cooktop(s).

200 series flex induction cooktop CI 292

- Frameless for flush mounting only
- Flex function for combining the rectangular cooking areas
- Free positioning of cookware inside combined cooking areas
- Cooking sensor function for temperature control in pots
- Frying sensor function for temperature control in pans
- Large cooking zone for pots up to ø 13"
- Twist-Pad control—the maneuverable magnetic knob sets cooking zone and temperature
- Easy control of all functions with bi-colored display

Cooking zones

2 flex induction cooking areas 7 1/2" x 9" (2,200 W, with booster 3,700 W), linked together 15" x 9" (3,300 W, with booster 3,700 W).

2 flex induction cooking areas 7 1/2" x 9" (2,200 W, with booster 3,700 W), linked together 15" x 9" (3,300 W, with booster 3,700 W).

1 induction cooking zone ø 9" (2,200 W, with booster 3,700 W), automatically switches to ø 10" (2,600 W, with booster 3,700 W) and to ø 13" (3,300 W, with booster 3,700 W).

Operation

Twist-Pad control with removable magnetic knob.
User friendly control with bi-colored display (white / orange).
Cooking zone, and cooking area marking.
Electronic power control in 17 output levels.

Features

Flex function for rectangular cooking areas.
Cooking sensor function (in use with cooking sensor CA060 600).
Frying sensor function.
Booster function for pots.
Booster function for pans.
Keep warm function.
Stopwatch.
Options menu.
Power management.

Home network integration for digital services (Home Connect) wireless via WiFi. The use of the Home Connect functionality depends on the Home Connect services, which are not available in every country.
For further information please check: home-connect.com.

Safety

Main switch.
Operation indication.
Pan detection.
2-stage residual heat indication.
Child lock.
Safety shut-off.

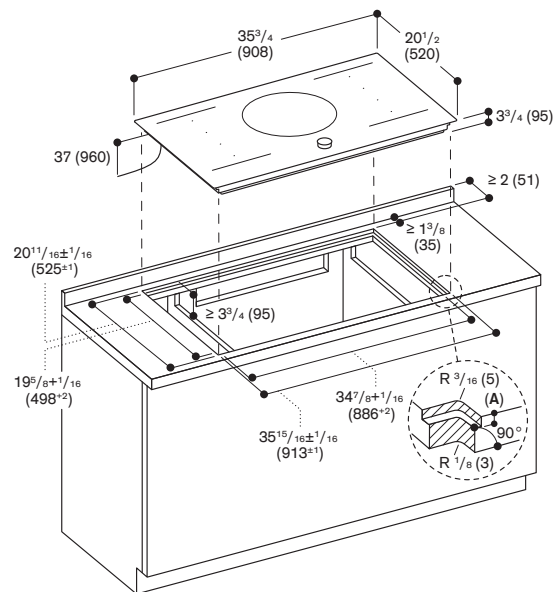
Planning notes

Operates with magnetic (induction) iron pots and pans only. For an optimal heat distribution, the use of flat bottom cookware is recommended.
Minimum countertop thickness 1 3/16" (30 mm) for flush installation.

Rating

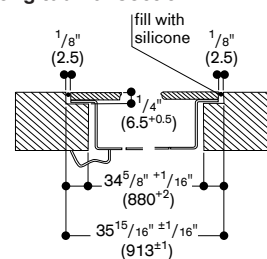
Rating: 9,360 W (208 / 220 V)
10,800 W (240 V)
Minimum fuse protection: 50 A
Electrical: 208 / 220–240 V / 60 Hz
Electrical connection:
Hardwire required, 37" cable length.

The wok pan WP 400 001 cannot be used with this appliance.
Immersion depth depending on installation situation, 2 3/4" for flush-mount.
To insure that the appliance works correctly, the cooktop must be sufficiently ventilated either from the rear or base of the cabinet.
Appliance must be fixed from underneath. Hardware required.
Cooktop clamping range: 1 3/16" – 1 9/16".
Appliance weight: approx. 54 lbs.

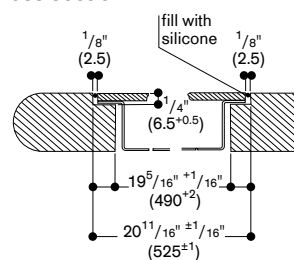


Minimum countertop thickness 1 3/16" (30 mm) for flush installation

Longitudinal section



Cross-section



Numbers indicated inside parenthesis () = mm

www.gaggenau.com/us
Revised: August 2022