



DF 480 700

fully integrated (ADA compliant)
Euro tub, appliance height 32 3/16"

DF 481 700

fully integrated
Tall tub, appliance height 34 1/8"

Included accessories

- 1 baking tray spray head
- 1 Gastronorm container inserts
- 1 holder for long-stemmed glasses

Installation accessories

DA 020 010

Stainless steel side trims for DF 480

DA 020 110

Stainless steel side trims for DF 481

DA 231 110

Stainless steel-backed full glass door panel with handle for DF481 Tall tub dishwasher only.

Height adjustable by 2".

GZ 010 011

Aqua stop extension 78" (2 m long) for all dishwashers.

Special accessories

DA 042 030

Silvercare cartridge for all dishwashers

DA 043 000

Holder for long-stemmed glasses
Offers safe positioning for up to four long-stemmed glasses during the dishwashing process and ensures an optimal cleaning result.

For positioning in the lower basket.

DA 045 061

Accessory basket

With smooth running rails

For DF481 dishwashers

3rd loading level above the upper basket.

For small bowls, cups and cooking utensiles.

Movable knife shelf.

Dishwasher 400 series

DF 481/DF 480

- Optimal protection for sensitive glassware by low temperature drying with zeolite, optimized basket design and intelligent water softening
- 8 programs with aqua sensor and 4 options, such as Power for cleaning and drying dishes in one hour and Intensive for particularly thorough cleaning in the lower basket
- Flexible basket system with smooth running rails on all levels and cushioned closing of the upper and lower basket
- Perfectly illuminated interior
- Push-to-open function for perfect integration into handleless custom cabinet fronts
- 3rd rack for cutlery
- Remaining time projection onto the kitchen floor
- Very quiet: 42 dB

Handling

TFT display indicating remaining or end time, refill for salt and rinsing agent, inflow of water.

Touch key operation.

Flexible cycle time reduction, even during an active cycle.

Personalization function for storing individual combinations of programs.

Temporary noise reduction (only available with active Home Connect functionality).

Information key with use indicators.
Time delay up to 24 hours.

Visual and acoustic end of program indicator.

Remaining time projection.

Technical Features

Perfectly illuminated interior.

Glass protection with zeolite.

Aqua sensor.

Load sensor.

Water softener.

Detergent recognition.

Regeneration electronics.

Heat exchanger.

Continuous flow heater.

Triple filter system.

Soft lock.

Aqua stop.

Home network integration for digital services (Home Connect) wireless via WiFi.

The use of the Home Connect functionality depends on the Home Connect services, which are not available in every country. For further information please check: home-connect.com.

Programs:

8 programs:

Auto 150°F - 160°F.

Auto 127°F - 140°F.

Auto 113°F - 122°F.

Eco 113°F - 136°F.

Wash and Dry.

Glass Care 122°F.

Quick wash 113°F (30 min.).

Personalization function (default setting: Pre-rinse).

4 options:

Intensive.

Power.

Sanitize.

Zeo Dry.

Features

Flexible basket system with smooth running rails on all levels and cushioned closing of the upper and lower basket.

3rd rack for cutlery and utensils.

Upper basket:

Over extension.

Optional extra cleaning area by activating additional spray nozzles.

Rackmatic with 3 levels, adjustable in height up to 2" (5 cm).

6 folding spines.

4 folding racks for optimal protection of glass.

Lower basket:

8 folding spines.

2 folding racks for optimal protection of glass.

Dividable glass support.

Cutlery basket.

Maximum dish sizes for DF 480

(upper/lower rack)

10.5"/9.8", 9.6"/10.8" or 8.6"/12.2" respectively.

Maximum dish sizes for DF 481

(upper/lower rack)

11.4"/11", 10.4"/12" or 9.4"/13.3" respectively.

3 place setting capacity.

Maximum glass loading capacity

23 wine glasses.

Consumption data

Total annual energy consumption

269 kWh.

Noise level 42 dB (re 1 pW).

Planning notes

Height-adjustable feet.

Appliance toe-kick recess 3 15/16" (100 mm) (see drawing).

To display the remaining time projection, a minimum toe-kick protrusion is required (1 9/16" (40 mm) + thickness of the cabinet front).

The maximum plinth height must be reduced by 1 3/16" (30 mm) to provide an optimal display of the remaining time projection.

Rear feet adjustable at front.

Door weight up to 18 lbs. for DF 480 and 22 lbs. for DF 481.

Door panel dimension dependent on toe-kick height of kitchen cabinetry.

Installation and usage also with custom cabinet handle possible. The push-to-open function remains active.

Connection

Total rating: 1,400 W.

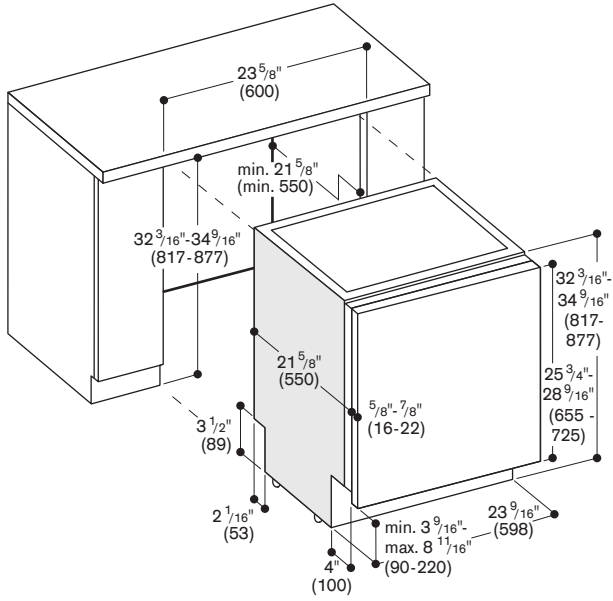
Total Amps: 12 A.

120 V / 60 Hz

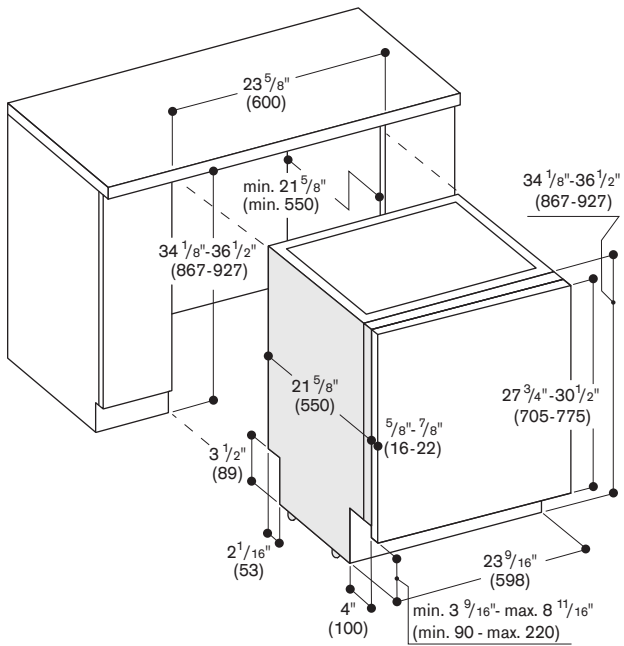
Connecting cable 47 1/4" with three-prong plug (NEMA 5-15P).



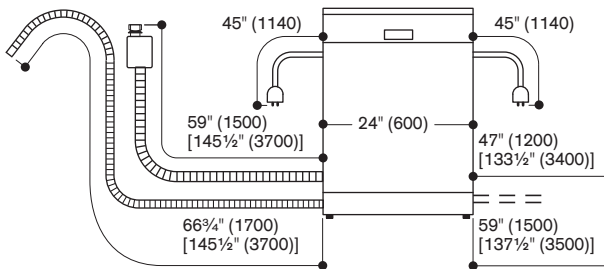
Euro Tub dishwasher DF480



Tall Tub dishwasher DF481



Connection dimensions for a 24" (600 mm) wide dishwasher



[] values with extension kit