



RB 472 705

Fully integrated
Width 30" (76.2 cm)
Cooling section with one door and one fully extendable freezing drawer

Included accessories

- 1 egg holder with lid
- 1 ice cube scoop
- 1 supply hose, 51" (1.3 m) with ¼" male compression fitting (standard icemaker connector)

Installation accessories

RA 421 715

Stainless steel door panel with handle
For 30" (76.2 cm) RB bottom freezer, panel thickness ¾".

RA 423 340

Side trims used to conceal the gap between the appliance and adjacent cabinet.

White powder coated metal.
2 pieces, for RY and RB.

RA 425 110

Stainless steel handle for refrigerator door for RB 472, with 3 mounts, length 44 1/2" (1.131mm).

RA 425 710

Stainless steel handle for freezer door. For RB 472 with 2 mounts, length 25 ½" (658 mm).

RA 428 715

Stainless steel door panels, **handleless**
For RB 472, panel thickness ¾".

RA 460 000

Installation kit for side-by-side installation for connecting any two columns. Included in delivery for RF and RW.

RA 460 012

Additional side heating element 110 V. Required if appliances are installed with a distance greater than ¾" and less than 6 ½" next to each other and for all built-in situations in a very humid environment. Not required if appliances are installed more than 6 ½" apart from each other.

RA 460 030

Connecting element for custom cabinet fronts when panels are split vertically to create one door front (for bottom freezer combination).

RA 464 713

Ventilation grill stainless steel
For RB 472 with integrated water filter

Vario 400 series two-door bottom freezer

RB 472

- Stainless steel interior with solid anthracite aluminium elements
- Warm white and glare-free LED light spots
- Opening assist for door and freezer drawer with two options:
 1. Push-to-open function for integration into handleless cabinet front
 2. Pull-to-open function to facilitate opening the door using a handle
- Flat stainless steel inner door, full-length
- Almost invisible rail system for shelves and door bins for flexible positioning
- Solid anthracite aluminium door bins
- One fresh cooling drawer with manually adjustable temperature and one fresh cooling drawer with manually adjustable humidity
- Integrated automatic ice maker with fixed inlet water connection
- Fully extendable freezer drawer with practical divider in anthracite
- TFT touch display
- ENERGY STAR® certified
- Sabbath mode certified by Star-K
- Net volume 16.0 cu.ft.

Operation

TFT touch display operation.
Clear text display in 52 languages.

Features

Dynamic cold air distribution with Multi-Flow Air System.
Automatic defrosting with defrost water evaporation.
Cushioned door closing system.
Activated charcoal air filter.
When rest mode (Sabbath mode) is active, the appliance can only be opened using a handle.
Open-door and malfunction alarm.

Home network integration for digital services (Home Connect) wireless with WiFi. The use of the Home Connect functionality depends on the Home Connect services, which are not available in every country. For further information please check: home-connect.com.

Cooling

No-Frost technology with fast cooling. Temperature adjustable from 35 °F to 46 °F (from +2 °C to +8 °C).
2 safety glass shelves, white glass, individually adjustable in height.
1 integrated shelf with satin-finished glass.
4 brilliant LED light spots with warm white, glare-free light within cooling area and drawers.
Flat door rail system with fully flexible positioning of door bins.
3 height-adjustable door bins, one of which is a large gallon door bin.
Net volume 11.5 cu.ft.

Optional accessories

RA 430 100

Storage container with transparent lid, anthracite

Part #11031964

Egg holder insert (for use with RA 430 100)

Part No. 17005582

Water filter cartridge

Part #11037377

Water filter bypass for home water filtration system

Fresh cooling close to 32°F (0°C)

1 fully extendable fresh cooling drawer with transparent front, illuminated. Cushioned closing system. Temperature can be adjusted manually. Ideal for meat, fish and poultry.

Freezer

No-frost technology with fast freezing at -22 °F (-30 °C). Temperature adjustable from 3 °F to -11 °F (-16 °C to -24 °C). Freezing capacity 31 lbs. (14 kg)/24 h. 2 fully extendable drawers, one of them inside. Outer drawer with synchronously running pull-out rails. Storage time after a malfunction (13) h. Interior lighting with 2 LED light spots, warm white light. Net volume 4.5 cu.ft.

Ice maker

Integrated in the freezer compartment, with fixed inlet water connection. Particle filter for water inlet, integrated in ventilation grille area. Can be switched off. Ice cube production approx. 3.5 lb (1.6 kg)/24 h. Removable ice storage container with approx. 6.6 lbs. (3 kg) capacity.

Consumption data

Energy consumption 470 kWh/year.
Noise level 42 dB(A) re 1 pW.

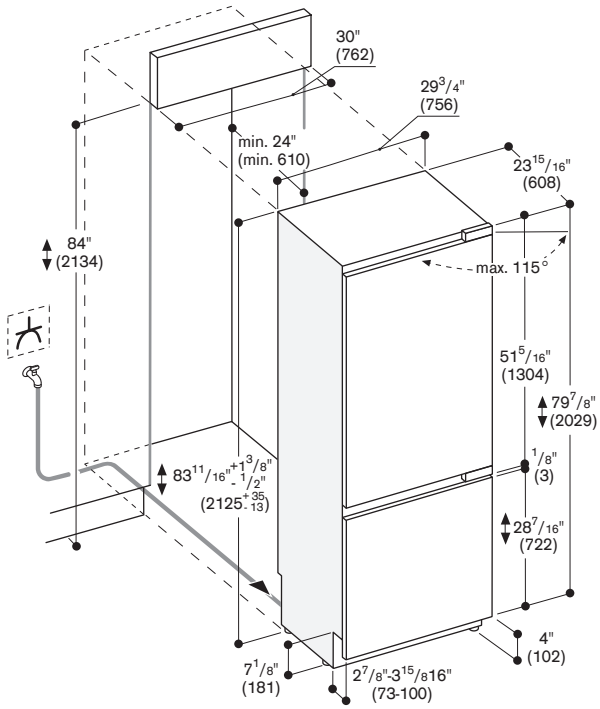
Planning notes

Flat hinge.
Door hinge right, reversible.
Door opening angle of 115°, fixable at 90°.
Max. door panel weight:
Door 90 lbs (41 kg).
Drawer 22 lbs (10 kg).
Ships with white ventilation grill. Stainless steel grill is an optional accessory. No toe kick provided.
Shut-off valve for water connection must be planned next to the appliance and always be accessible.
If the water pressure exceeds 116 psi, connect pressure relief valve between water tap and hose set.

Rating

Total rating: 1,280 W/24h.
Total Amps: 10 A.
120 V / 60 Hz
Connecting cable 118" (3.0 m), detachable.
Cold water connection required.
Electrical location 6" above ground in lower left corner of unit.
Supply hose 51" (1.3 m) with ¼" male compression fitting (standard icemaker connector).
Water pressure 29 to 116 psi.





The door face dimensions are designed for a maximum gap of 1/8" (3 mm).