



## RF 463 706

Fully integrated  
Width 24" (61 cm)  
Right-hinged

## RF 463 707

Fully integrated  
Width 24" (61 cm)  
Left-hinged

### Included accessories

- 1 Accessory for side-by-side installation (RA 460 000)
- 1 supply hose, 47" (1.2 m) with ¼" male compression fitting (standard icemaker connector)

### Installation accessories

#### RA 422 611

Stainless steel door panel with handle  
For RF 463, panel thickness ¾".

#### RA 423 140

Side trims used to conceal the gap between the appliance and adjacent cabinet.  
White powder coated metal.

#### RA 425 110

Stainless steel handle for freezer door.  
With 3 mounts, length 44 ½" (1.131 m).

#### RA 428 811

Stainless steel door panel, handleless  
For RF 463, panel thickness ¾".

#### RA 460 012

Additional side heating element 110 V.  
Required if appliances are installed with a distance greater than 5/8" and less than 6 5/8" next to each other and for all built-in situations in a very humid environment.  
Not required if appliances are installed more than 6 5/8" apart from each other.

#### RA 460 020

Connecting element for custom cabinet fronts when panels are split vertically to create one door front.

#### RA 464 617

Ventilation grill stainless steel  
For RF 463, with filter, right-hinged.

#### RA 464 618

Ventilation grill stainless steel  
For RF 463, with filter, left-hinged.

### Optional accessories

#### Part No. 17005582

Water filter cartridge

#### Part #11037377

Water filter bypass for home water filtration system

### Vario 400 series freezer column

#### RF 463

- Stainless steel interior with solid anthracite aluminium elements
- Warm white and glare-free LED light spots
- Opening assist for door with two options:
  1. Push-to-open function for integration into handleless cabinet front
  2. Pull-to-open function to facilitate opening the door using a handle
- The drawers in the RC and RF models are positioned at the same height. With side-by-side installation, the glass shelves and door bins can be aligned on the same level
- Material and aesthetics of interior as for RC model
  - Glass shelves
  - Solid anthracite aluminium door bins
- Flat stainless steel inner door, full-length
- Almost invisible rail system for shelves for flexible positioning
- Illuminated dispenser for ice cubes, crushed ice and chilled water in the door.
- Integrated automatic ice maker with fixed water connection
- Proximity sensor for ice and water dispenser
- Illuminated dispenser for ice cubes, crushed ice and chilled water
- TFT touch display
- ENERGY STAR® certified
- Sabbath mode certified by Star-K
- Net volume 11.2 cu.ft.

### Operation

TFT touch display operation.  
Clear text display in 52 languages.  
Touch key operation for ice and water dispenser.

### Features

Dynamic cold air distribution with Multi-Flow Air System.  
Automatic defrosting with defrost water evaporation.  
Cushioned door closing system.  
When rest mode (Sabbath mode) is active, the appliance can only be opened using a handle.  
Open-door and malfunction alarm.

Home network integration for digital services (Home Connect) wireless via WiFi. The use of the Home Connect functionality depends on the Home Connect services, which are not available in every country.  
For further information please check: [home-connect.com](http://home-connect.com).

### Freezing

No-frost technology with fast freezing at -22 °F (-30 °C).  
Temperature adjustable from 3 °F to -11 °F (-16 °C to -24 °C).  
3 safety glass shelves, white glass, 2 of which are individually height adjustable.  
1 integrated shelf with satin-finished glass.  
2 fully extendable drawers with transparent front.  
Brilliant LED light spots with warm white, glare-free light.  
Net volume 11.2 cu.ft.

### Ice and water dispenser

Warm white LED lighting.  
Proximity sensor for automatic activation of light and touch keys for ice and water dispenser.  
Integrated, with fixed inlet water connection.  
Particle filter for water inlet, integrated in ventilation grill area.  
Saturation indicator shown in TFT touch display.  
Ice maker can be switched off independently.  
Ice cube production approx. 3.1 lb (1.4 kg)/24 h.  
Ice cubes and crushed ice.  
Removable ice storage container with approx. 6.6 lbs. (3.2 kg) capacity.  
Chilled water supply approx. .05 cu.ft. (1.5 liters)

### Consumption data

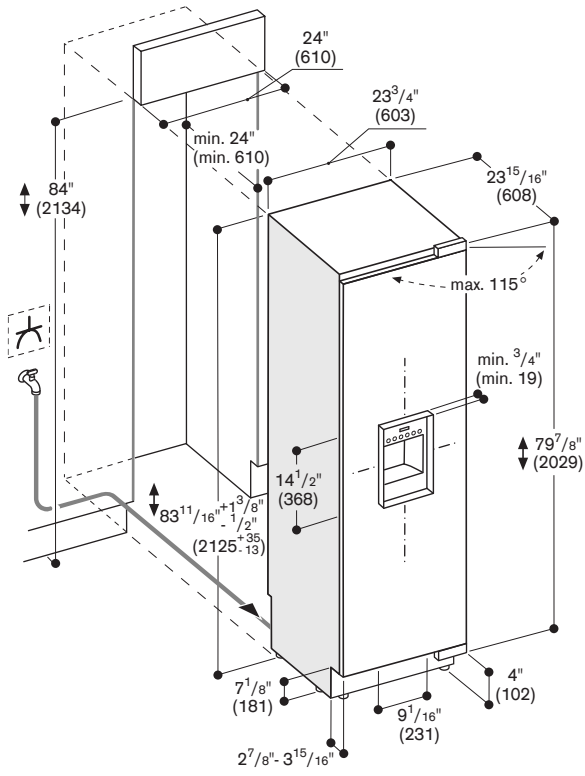
Energy consumption 454 kWh/year.  
Noise level 42 dB(A) re 1 pW.

### Planning notes

Flat hinge.  
Door opening angle of 115°, fixable at 90°.  
For an installation with a door opening angle of 90°, the drawers have a restricted access.  
Max. door panel weight 147 lbs. (67kg).  
Ships with white ventilation grill.  
Stainless steel grill is an optional accessory. No toe kick provided.  
Shut-off valve for water connection must be planned next to the appliance and always be accessible.  
If the water pressure exceeds 116 psi, connect pressure relief valve between water tap and hose set.

### Rating

Total rating: 1,240 W/24h.  
Total Amps: 10 A.  
120 V / 60 Hz  
Connecting cable 118" (3.0 m), detachable.  
Cold water connection required.  
Electrical location 6" above ground in lower left corner of unit.  
Supply hose 47,2" (1.2 m) with ¼" male compression fitting (standard icemaker connector).  
Water pressure 29 to 116 psi.



The door face dimensions are designed for a maximum gap of <sup>1</sup>/<sub>8</sub>" (3 mm).