



## Vario downdraft ventilation 400 series VL 414

### VL 414 712

Stainless steel.  
Air extraction / Air recirculation.  
Control knob with illuminated ring included.

### Installation accessories

#### AD 410 040

Flexible connecting piece.

#### AD 851 041

Connecting piece for extension with flat duct DN 150 for extra deep countertop.

#### VA 420 000

Connection strip for combination with other Vario appliances of the 400 series for flush mounting.

#### VA 420 004

Invisible connection strip for combination with other Vario 400 series flush mounting.

#### VA 420 010

Connection strip for combination with other Vario appliances of the 400 series for surface mounting.

### Optional accessories

#### AA 414 010

Air deflector used with VL414 downdraft adjacent to VG415 or VG425 cooktops.  
Additional connection cables for connecting the electronic control knobs (optional).

#### Part no. 12013604

1 ft (0.3 m) connection cable.

#### Part no. 12013606

3 3/8" ft (1 m) connection cable.

#### Part no. 12013607

5 ft (1.5 m) connection cable.

### Installation accessories for metal ducting to be found on pages 201-203.

### Combinable with:

Vario cooktops 400 series  
VI414  
VI422  
VG415  
VG425  
VP414  
VR414

### Highlights

- Can be combined perfectly flush with other Vario appliances of the 400 series.
- Precision crafted 3 mm stainless steel.
- Solid stainless steel control knob.
- Highly efficient, low noise recirculation system with AR 410 710 blower.
- Air extraction with AR 400 742, AR 403 722, or AR 401 742 blowers.
- Function for automatic, sensor-controlled power adjustment depending on the build-up of cooking vapors.
- Minimal planning and easy installation.

### Features

Control knobs with illuminated ring included in delivery.  
3 electronically controlled power levels and 1 intensive mode.  
Automatic sensor-controlled performance adjustment of the ventilation system.  
Automatic sensor controlled or manual run on function.  
Large-scale metal grease filter with high grease absorption.  
Removable, dishwasher-safe grease filter unit.  
Grease filter and activated charcoal filter saturation indicator.  
Airflow-optimised interior for efficient air circulation.  
Interval ventilation, 6 min.  
Enameled cast iron ventilation grill, dishwasher-safe.  
Air exhaust bend included in delivery.  
Overflow 8.5 oz capacity.  
Cooktop-based ventilation control (with VI414 and VI422 cooktops).

Home network integration for digital services (Home Connect) either via cable connection LAN (recommended) or wireless via WiFi.  
The use of the Home Connect functionality depends on the Home Connect services, which are not available in every country. For further information please check: [home-connect.com](http://home-connect.com).

Please read additional information on Home Connect on page 302.

### Planning notes

Refer to the table on page 208 for the matching blowers for air recirculation or air extraction mode.  
Please refer to page 166-169 for recommended configurations of downdraft ventilations and blowers and the needed metal ducting elements.

For each VL one blower is recommended.  
Maximum cooktop width between two VL: 24" (60 cm).  
Vario cooktops like Vario electric grill and Vario gas wok must be placed between 2 VL downdraft for optimal performance.  
In case of Vario electric grill, recirculation is not recommended.  
If operated next to gas appliances, the air deflector AA 414 010 is recommended to ensure maximum performance of the cooktop.

Appliance can be snapped into the countertop from above.  
Depending on the type of installation (surface-mounted or flush-mounted), the specific location of the cut-out and the knob positions may vary.  
If combining several Vario appliances of the 400 series, a connection strip VA 420 must be placed between the appliances. Depending on the type of installation, the corresponding connection strip must be provided.  
The bearing capacity and stability, in the case of thin worktops in particular, must be supported using suitable substructures. Take into account the appliance weight and additional loads.

Additional instructions for flush mounting:  
Installation is possible in worktops made of stone, synthetics or solid wood. Heat resistance and watertight sealing of the cut edges must be observed. Concerning other materials please consult the countertop manufacturer.  
The groove must be continuous and even, so that uniform placing of the appliance on the gasket is ensured. Do not use discontinuous lining.

The joint width may vary due to size tolerances of the combinations and of the countertop cut-out.

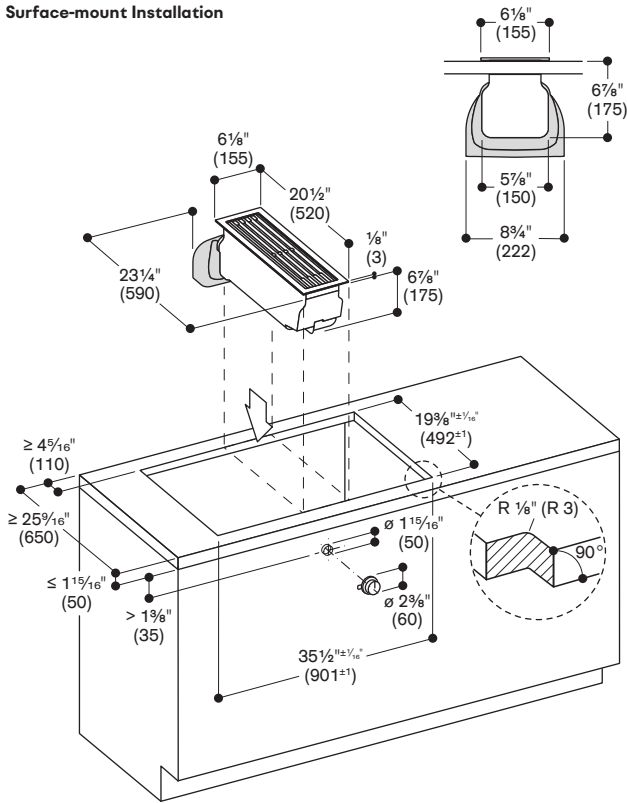
**Please read the installation details regarding air ducting on page 166-169.**

**Please read additional planning notes on page 104-109.**

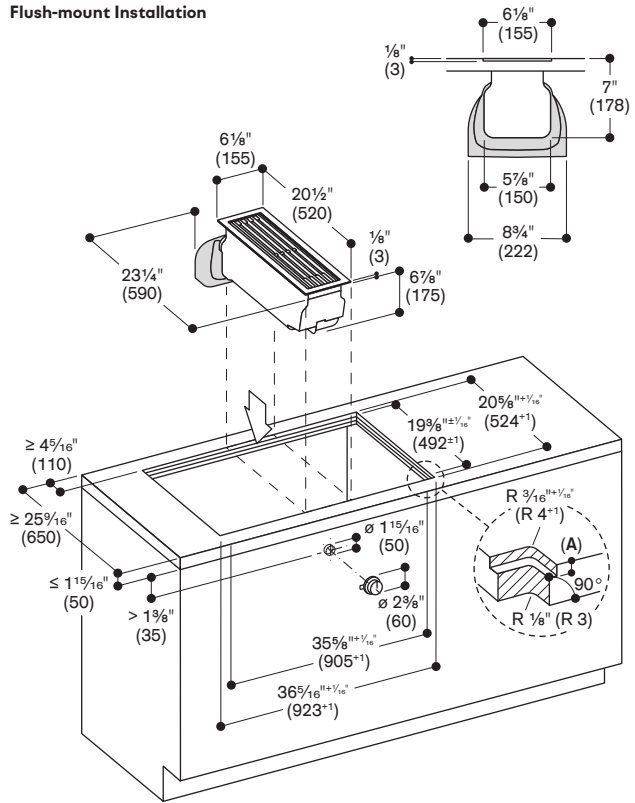
### Connection

Total connected load 10 W.  
Connecting cable 68" (1.75 m) with three-prong plug (NEMA 5-15P).  
Plan for a RJ45 Ethernet cable or connect via WiFi to enable Home Connect.  
Refer to the corresponding extraction or recirculation blower(s) for network cable length.

## Surface-mount Installation

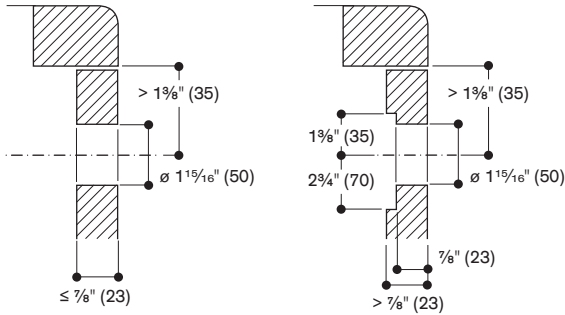


## Flush-mount Installation

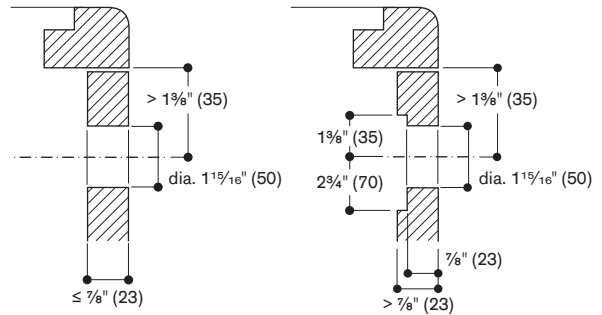


A: 1/8" (3.5<sup>-0.5</sup>)

## Installation of the control knob; surface mounting

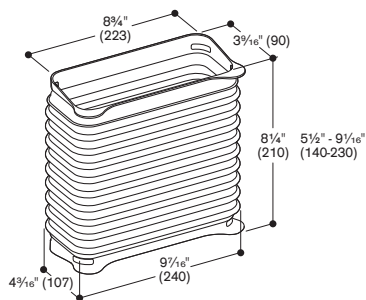


## Installation of the control knob; flush installation

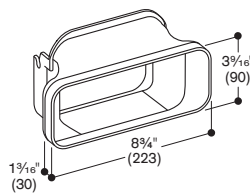


## Installation accessories

### AD 410 040 : flexible connecting piece, DN 150 flat



### AD 851 041: Connecting piece VL for extension with flat duct DN150 for extra deep countertop



Numbers indicated inside parenthesis ( ) = mm

www.gaggenau.com/us  
Revised: March 2025

Gaggenau reserves the absolute and unrestricted right to change product materials and specifications, at any time, without notice. Consult the product's installation instructions for final dimensional data and other details prior to making cutout. Warranties: Please see Use & Care manual or Gaggenau website for statement of limited product warranty. For more information on our entire line of products, go to www.gaggenau.com or call 1-877-442-4436.