

Operating and Installation Instructions

GB 031-707

Fan Assembly

GAGGENAU

Important Instructions

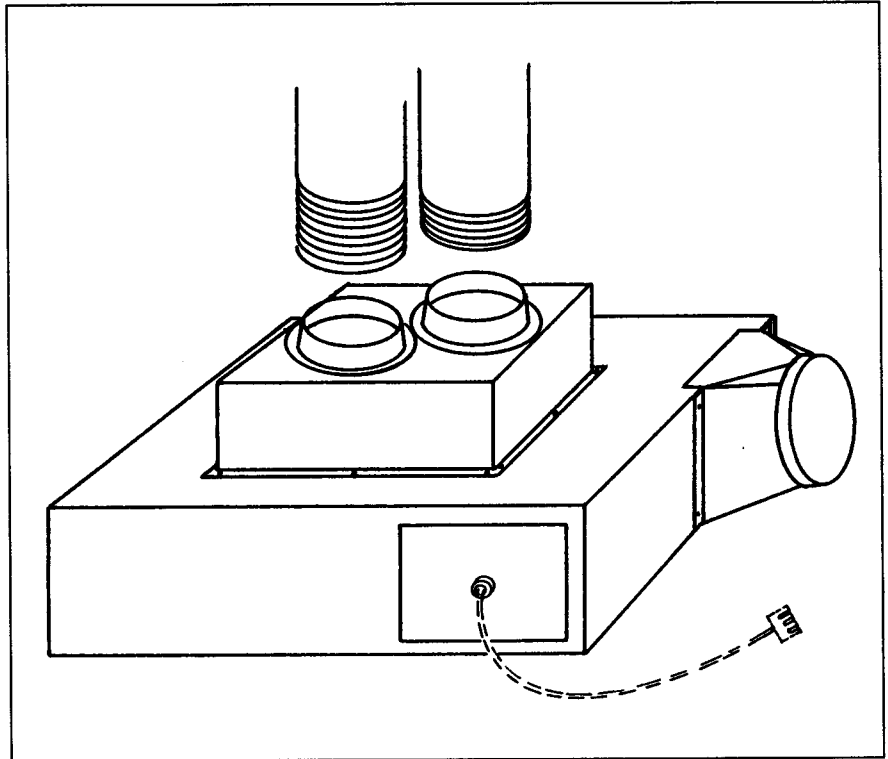
1. **Important** – Save for the local electrical inspectors use.

2. **Important instructions**

a) Proper installation – Be sure your appliance is properly installed and grounded by a qualified technician.

b) User servicing – Do not repair or replace any part of the appliance. All servicing should be referred to a qualified technician.

c) Do not use water on grease fires – Smother fire or use dry chemical or foam-type extinguisher.



Notes

Disconnect from power supply anytime work is to be performed on the appliance. If the plug connection is not easily accessible, a disconnecting switch has to be fitted with the necessary fuse.

The user is responsible for the perfect condition of the appliance and its correct handling. In case of a breakdown, notify your Gaggenau dealer who will provide you with the address and telephone number of your nearest manufacturers authorized service agent or contact Gaggenau USA Corporation, Norwood, MA 02062, Tel. (617) 255 1766.

Operation

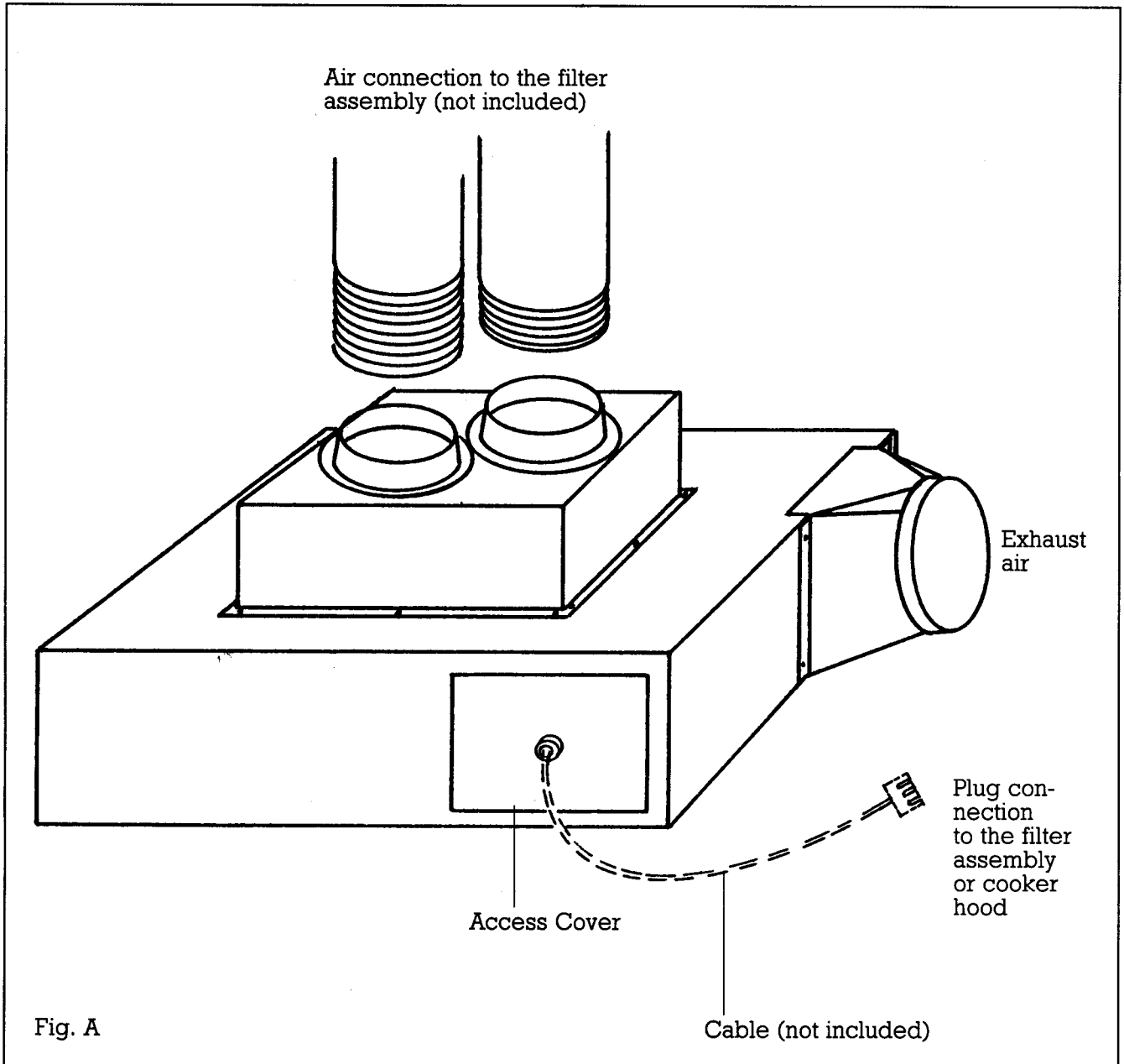


Fig. A

Operation

The GB 031 – fan assembly is connected to the filter assembly VL 331 and VL 022 or the cooker hood AH 252 via a plug connection (supplied). Refer to the wiring diagram in the installation instructions by which it is also controlled.

Installation

General information

The appliance may be installed by an authorized electrician in compliance with all valid regulations.

The electrician must instruct the user on how to operate the appliance and on how to disconnect the appliance from the mains in an emergency.

Do not use 2 VL 331 or VL 022 with 1 GB 031.

Installation methods

Due to its power, the fan assembly can take in or discharge air over 30 ft. However, this distance should not include more than two 90° bends. The fan assembly can be installed in various ways, depending on whether it is taking in or discharging air.

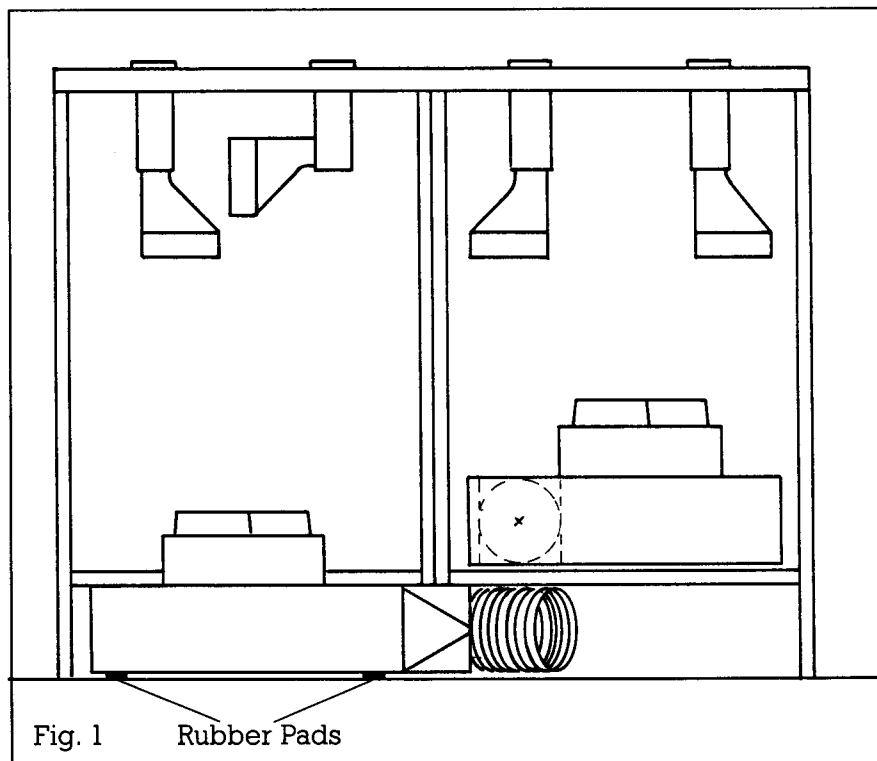
Standing on a shelf in the lower cupboard (Fig. 1)

Rubber pads are fitted to the underside of the appliance for this installation method.

The exhaust air can be routed via the base of adjoining cupboards (see Fig. below), through rear wall and through the adjoining room or directly through the wall via the TM 180 wall box.

The TM 180 wall box has angled shutters to keep out wind and rain. On the outside, there is also a deflector ledge to prevent soiling of the facade. It is also fitted with a damper to keep cold air out.

The fan assembly is supplied with a connector for connecting the ducting of the fan assembly to the wall box.

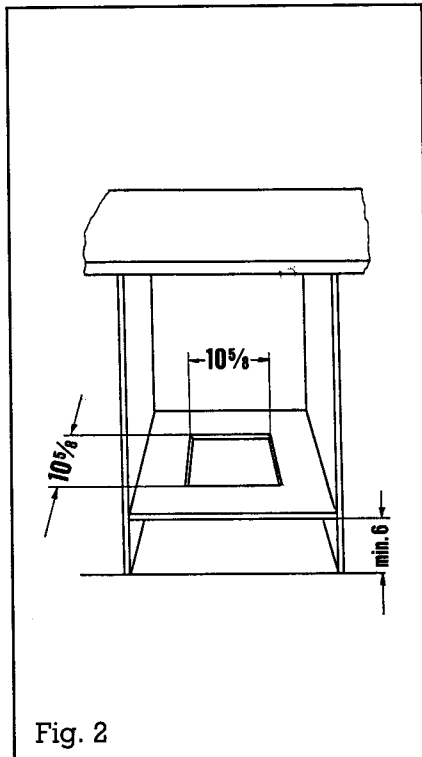


Installation

On the lower cupboard base (Fig. 1, 2)

A minimum base height of 6" is necessary for this method. Prepare a cut-out in the lower cupboard according to the diagram below.

The exhaust air piping can be routed either to the left or right under the base.



Mounted on a wall (Fig. 3)

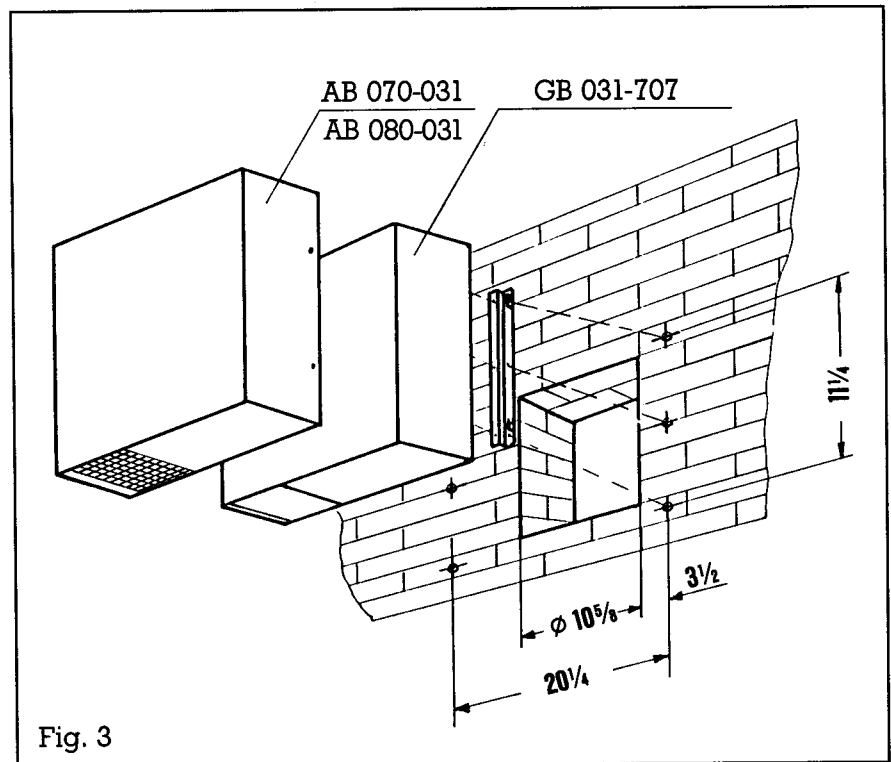
When mounting on a wall above the lower cupboard, there must be a gap of at least 6" between the lower cupboard and the appliance. A cut-out must be prepared at the back of the lower cupboard. Its position must take into account the situation of adjoining installations (height of work tops, desired height of fan assembly, etc.).

The appliance is fixed to the wall with two mounting rails.

If the GB 031 fan assembly is to be installed on an outside wall, it must be protected from the weather by the AB 070-031/ AB 080-031 cover.

Air connection

The air connection from the GB 031 fan assembly to the filter assembly requires a 5" round ducting pipe.



Installation

When installing the 6" exhaust air pipe, you must ensure that:

- Exhaust air is not connected into a chimney that is in use nor into a ventilation shaft for fires;
- Exhaust air is only piped to the outside or unused chimney or vent shaft;
- There is an adequate supply of make up air when operating the fan assembly;
- Flexible 6" aluminium pipes, corrosion proof sheet metal pipes or fire proof plastic pipes are used as exhaust air pipes;
- Exhaust air pipes are as short as possible;
- Sharp angles in exhaust air pipes are avoided; install a 45° bend leading up into the chimney at an angle. Use 45° whenever possible;
- There is no restriction of the piping or what its connected to.

Subject to technical change without notice.

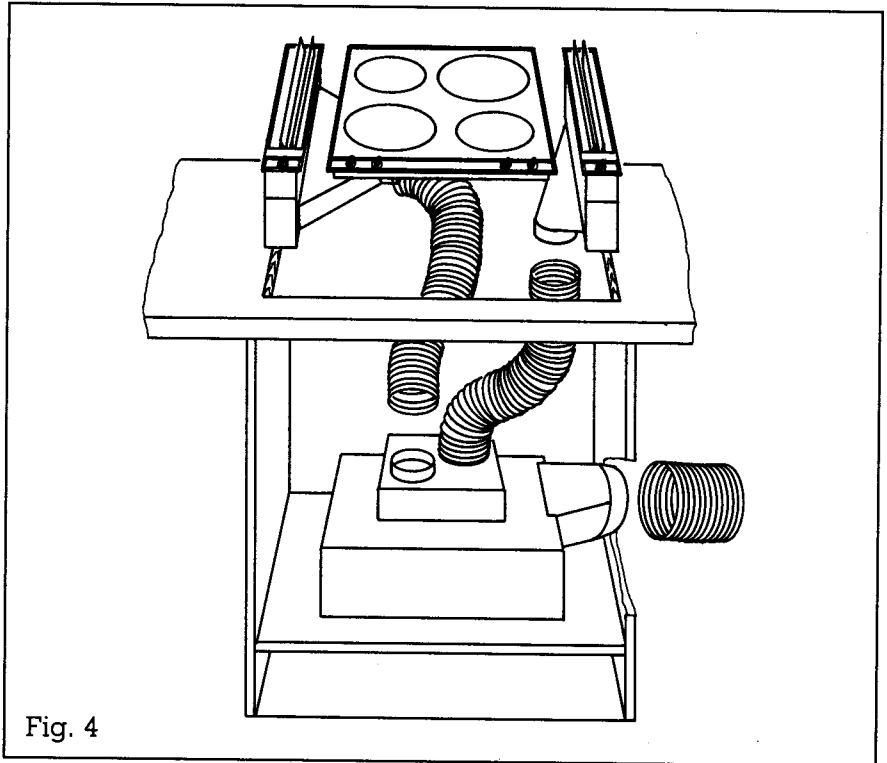


Fig. 4

Installation

Electrical connection

The length of the connecting cable (see Fig. 5) depends on how far the GB 031 fan component from the VL 331 or VL 022 resp. AH 252 is installed. A connection cable 4 x AWG 16 has to be used (the diameter of the cable must not exceed $\frac{7}{16}$ "'). The connection terminals on the fan assembly can be found behind the access cover of the GB (Fig. A).

The electrical cable connecting the fan assembly (GB) to the filter assembly (VL) or cooker hood (AH) should be the same wire size as used to connect the appliance to the power supply (connecting cable plug supplied). The cable connection is located under the access cover.

State and local codes will apply.

If the connecting cable plug is no longer accessible after installation, a suitable switch of connection must be installed.

Refer to wiring diagram.

Electrical ratings:

120 V AC, 60 cycle
280 W, 3 amp.

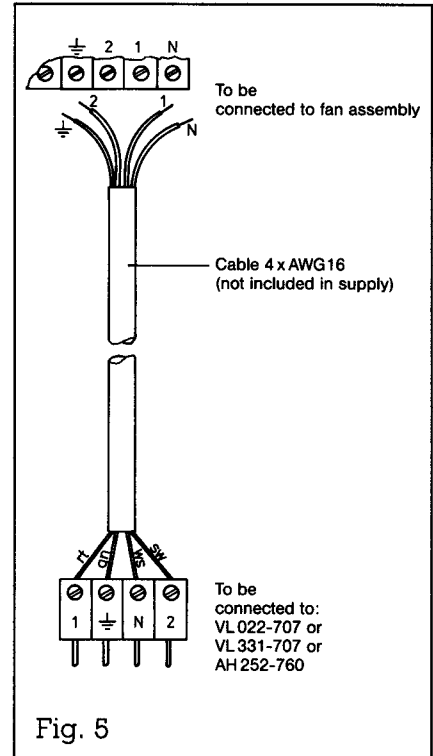


Fig. 5

GAGGENAU

GAGGENAU USA CORPORATION
425 UNIVERSITY AVENUE · NORWOOD, MA 02062 USA
☎ 617-255 1766 · FAX 617-769 2212

GAGGENAU WERKE HAUS- UND LUFTECHNIK GMBH
P. O. BOX 12 60 · D-76568 GAGGENAU, GERMANY
☎ (0 72 25) 65-0 · TELEX 78834 · FAX (0 72 25) 65-105