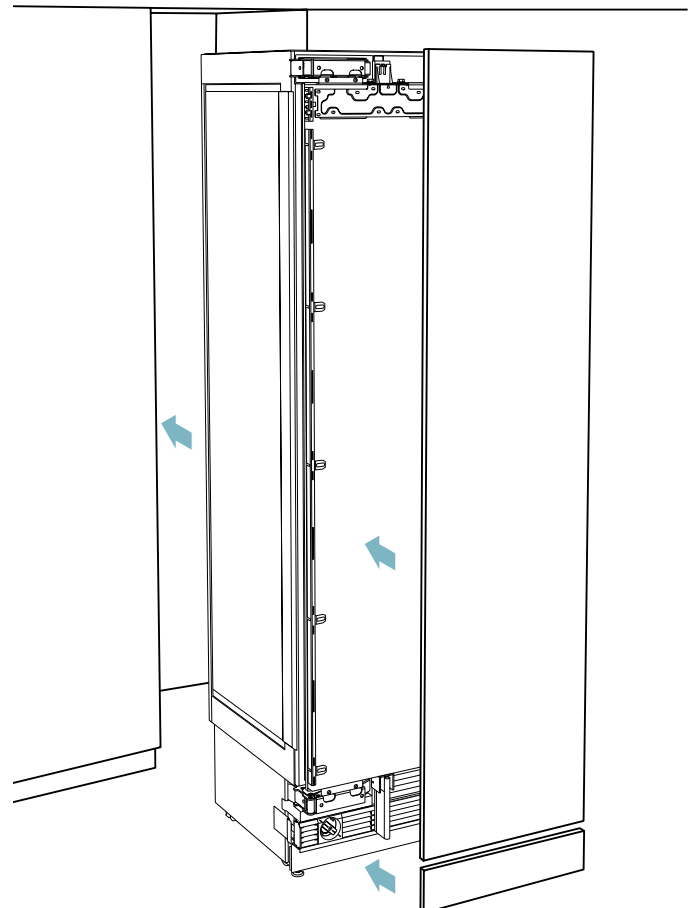


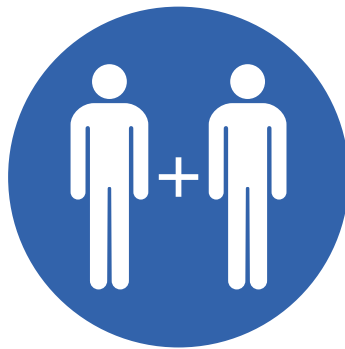
Gaggenau

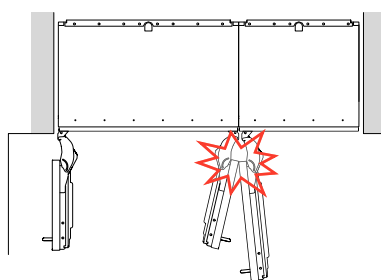
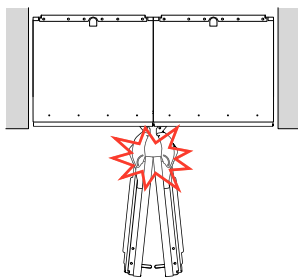
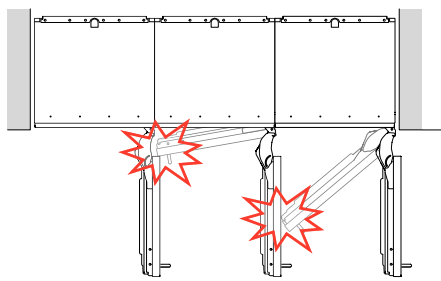
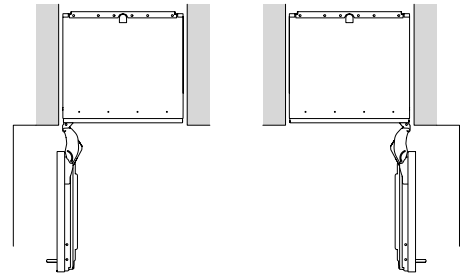
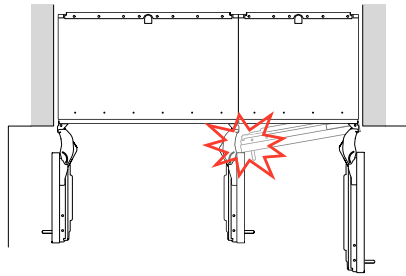
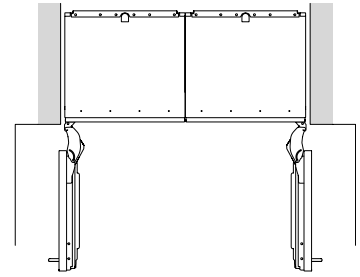
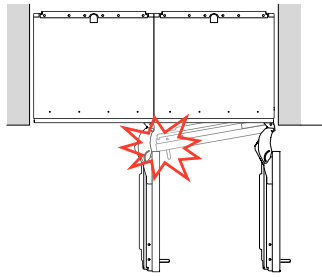
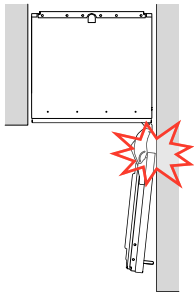
RF411304

RF461304

RF471304

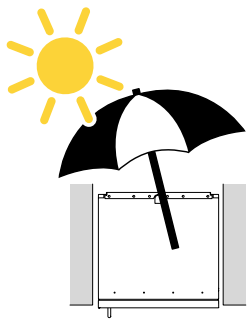
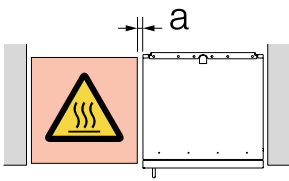




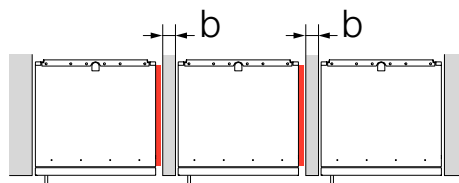
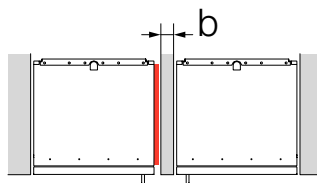
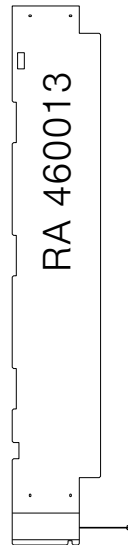
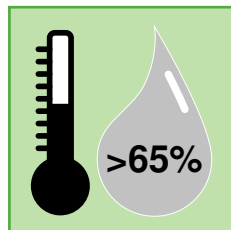




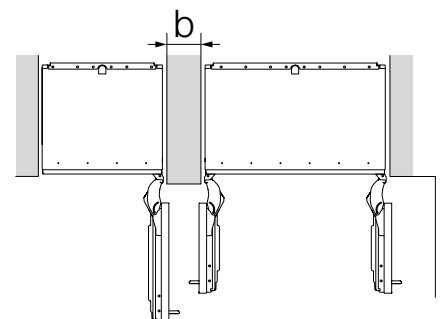
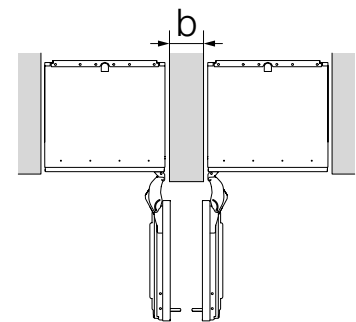
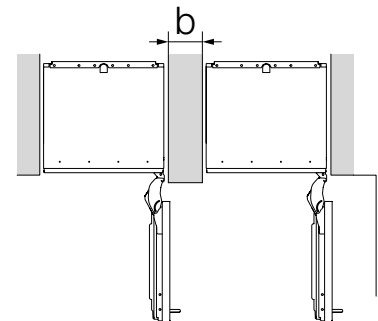
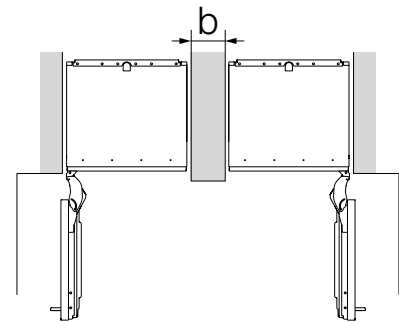
$a \geq 30 \text{ mm}$

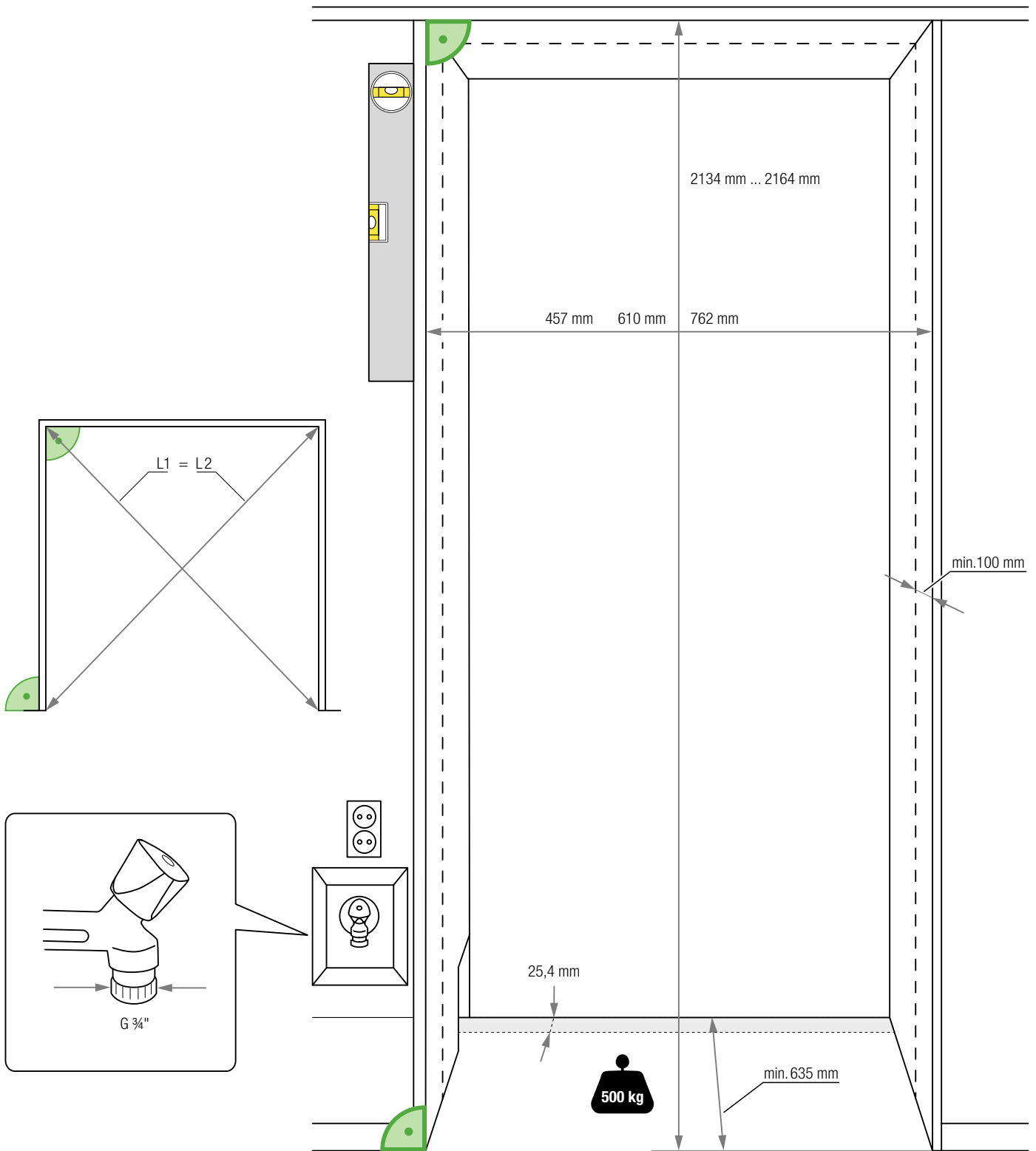
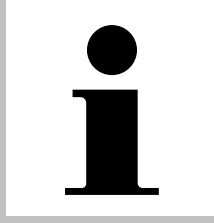


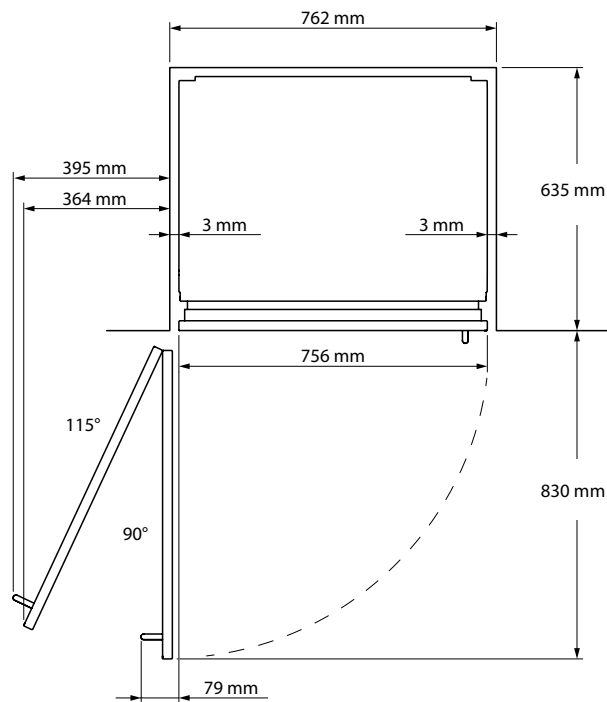
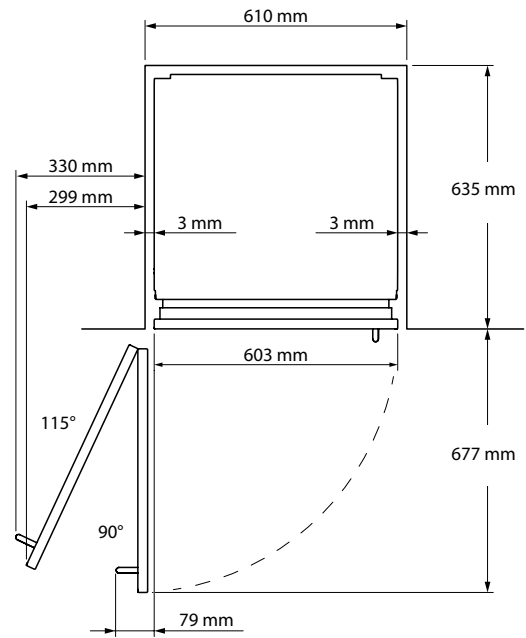
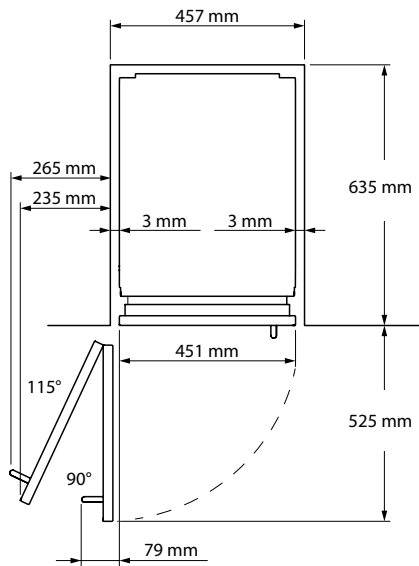
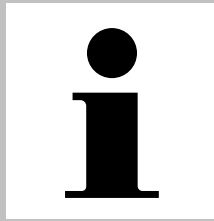
$16 \text{ mm} \leq b < 160 \text{ mm}$

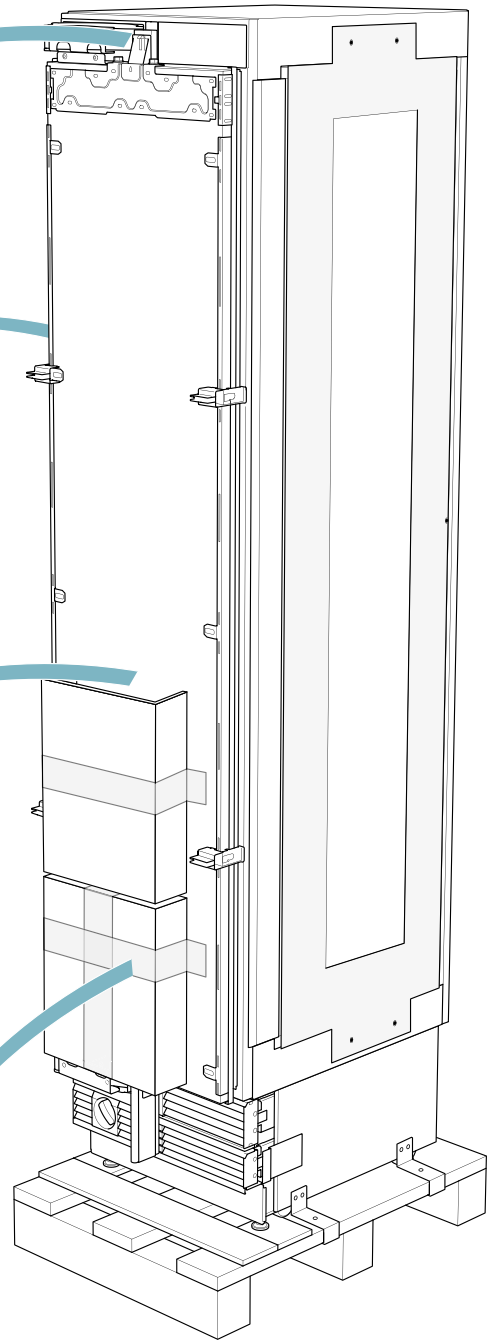
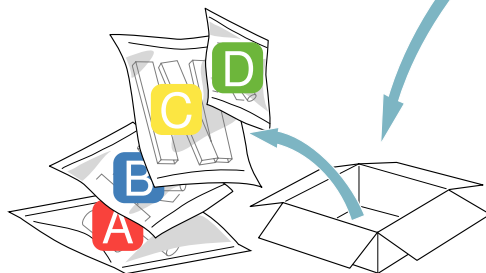
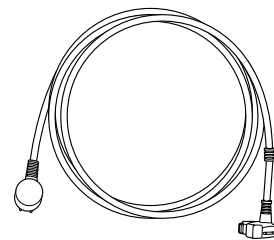
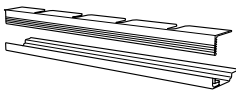
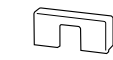
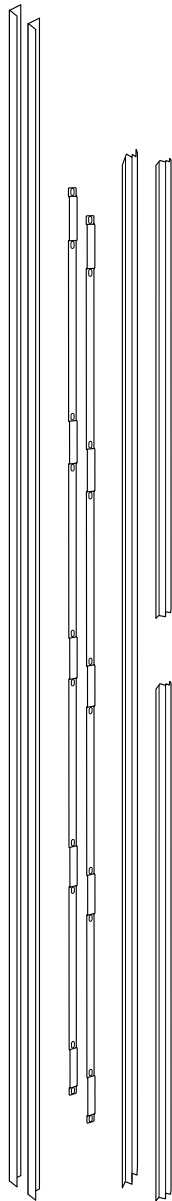
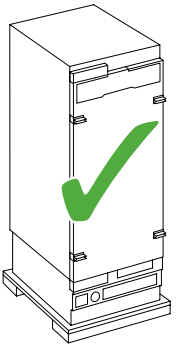
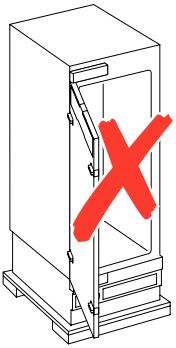
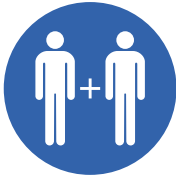


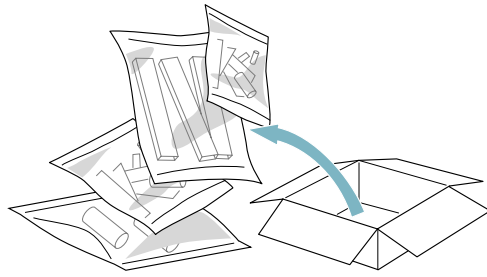
$b \geq 160 \text{ mm}$





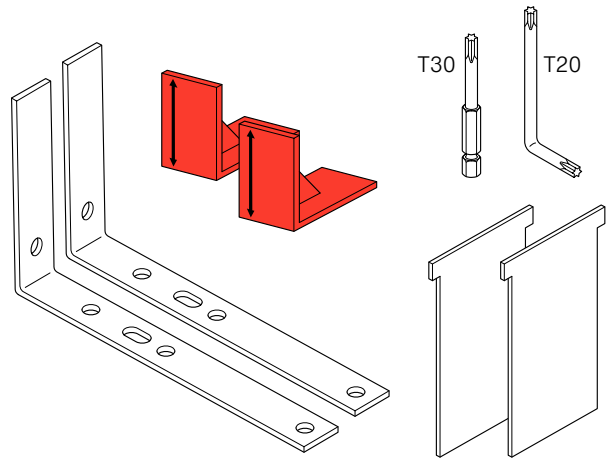




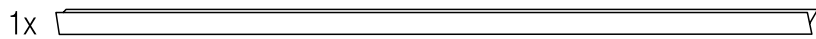
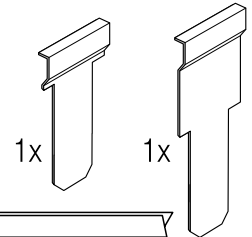
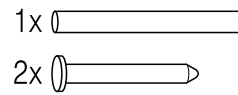
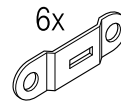
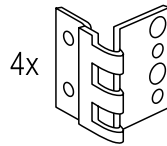


A

4x15			6x
5x60			4x
6x31			4x



M5x16			28x
-------	--	--	-----

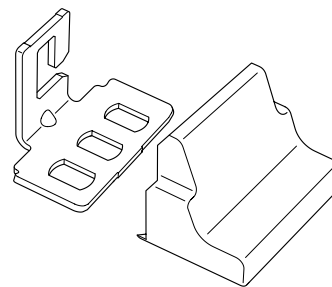


B

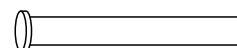
4x15			8x
------	--	--	----

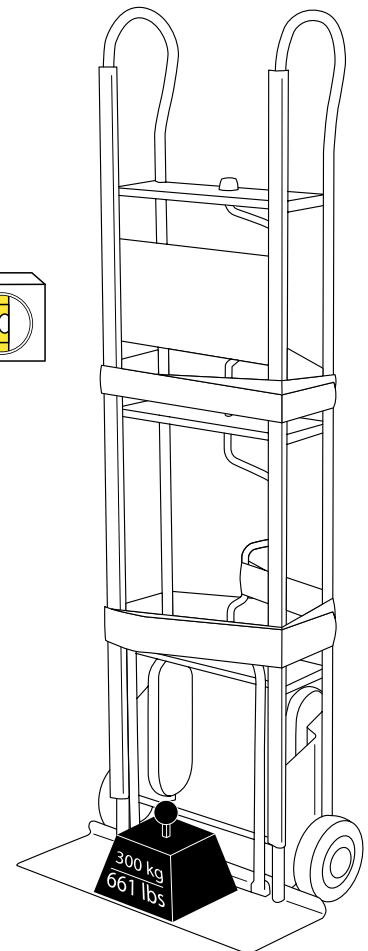
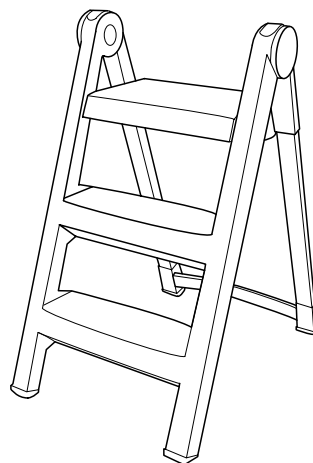
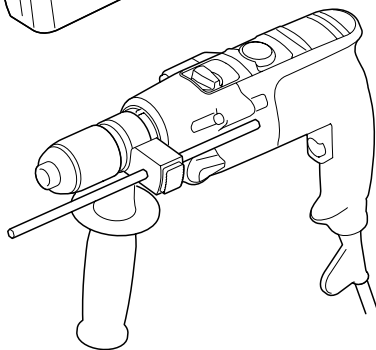
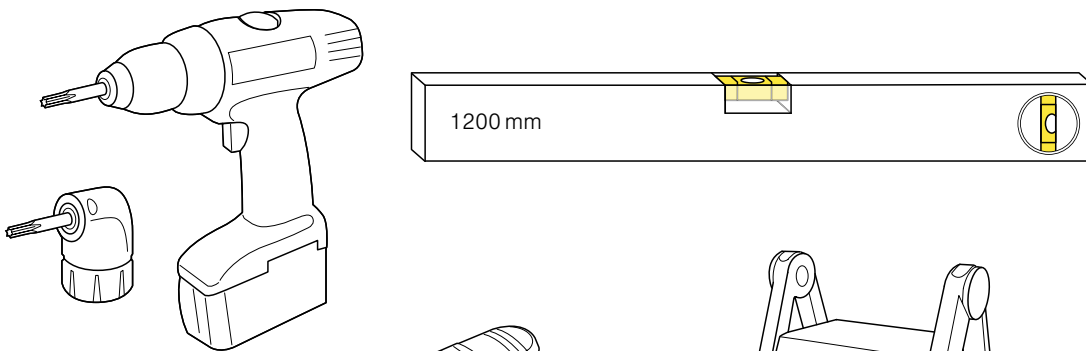
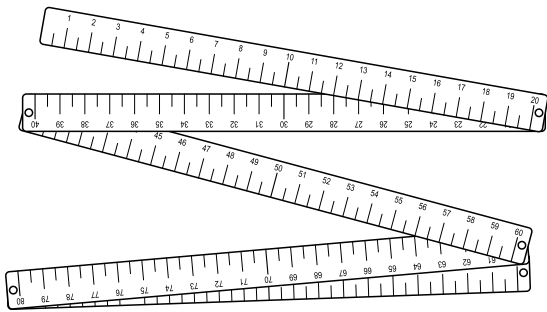
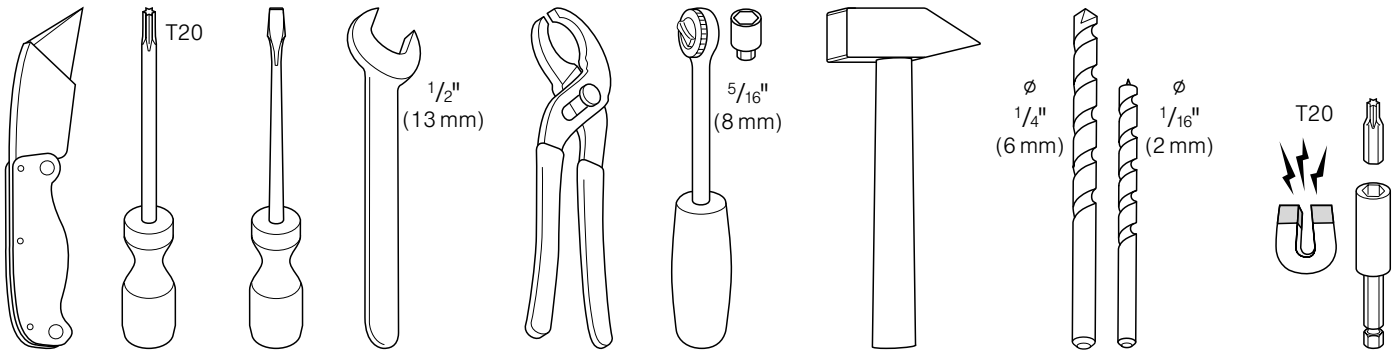
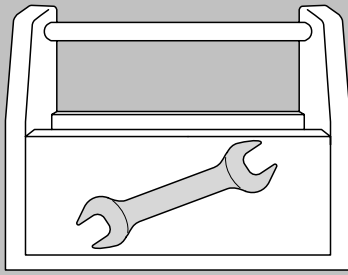
C

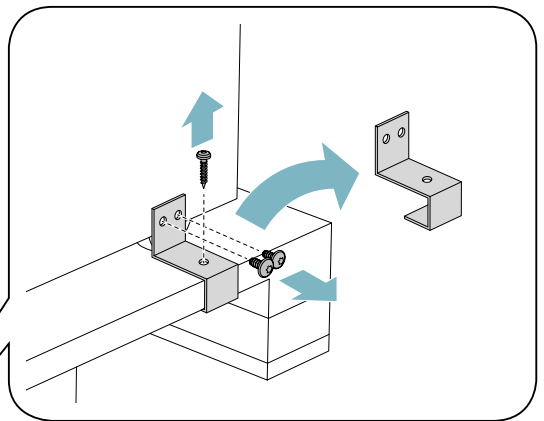
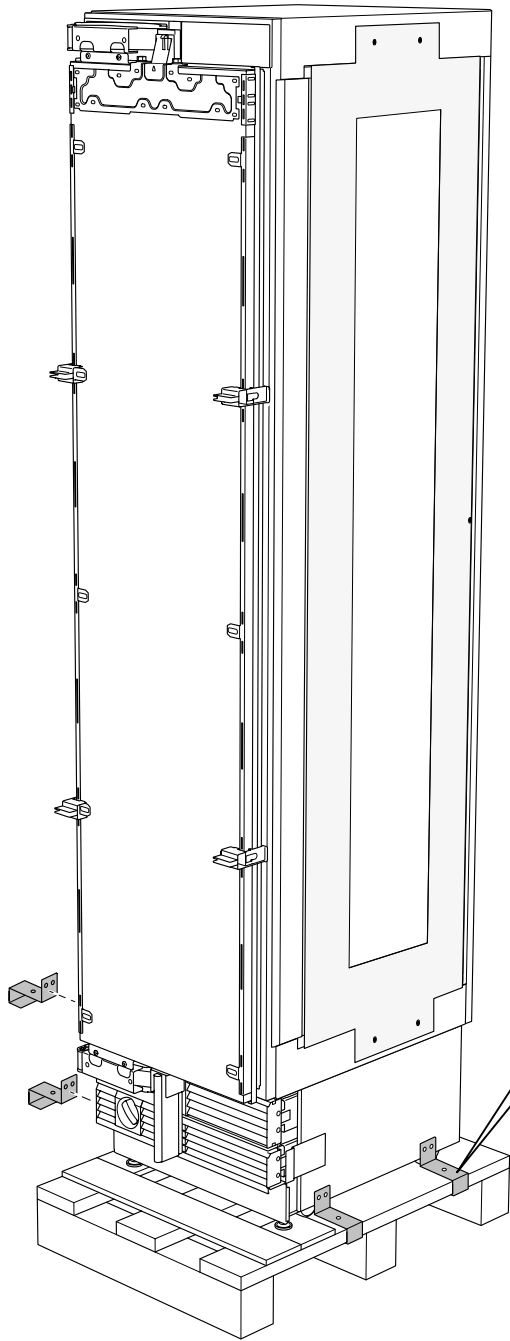
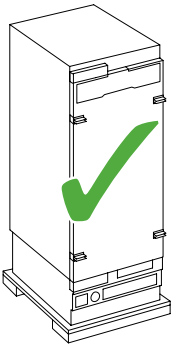
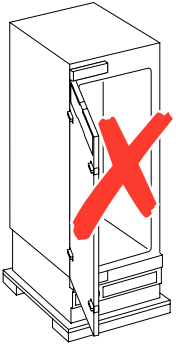
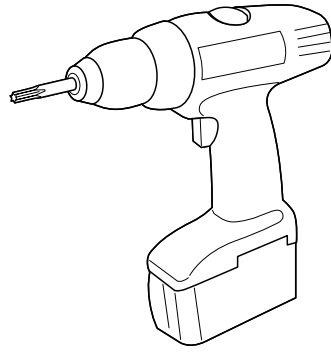
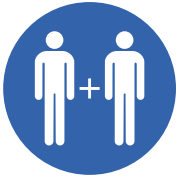
4x15			32x
4x15			2x

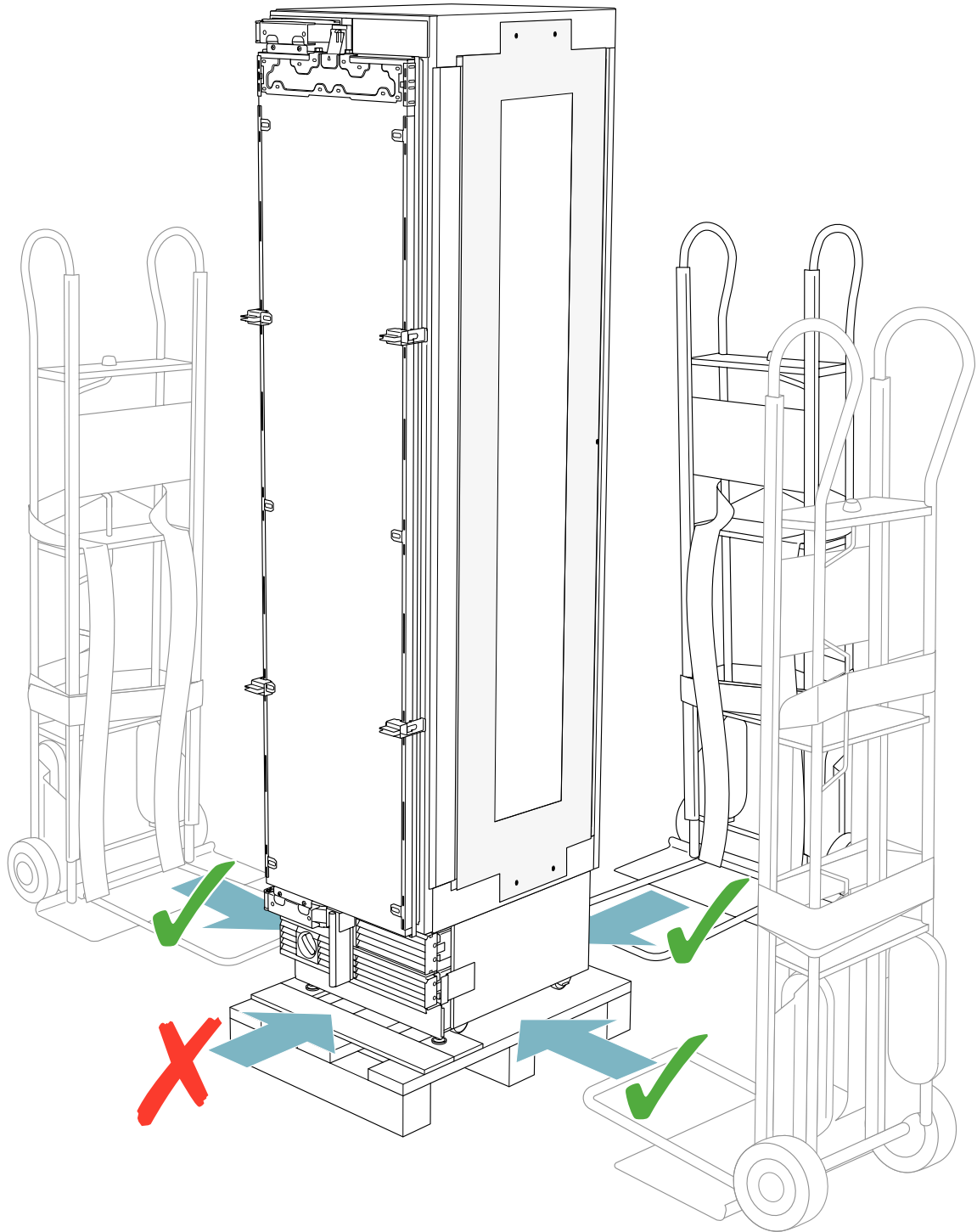
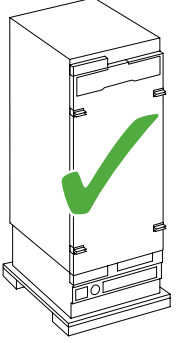
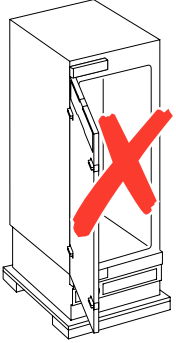
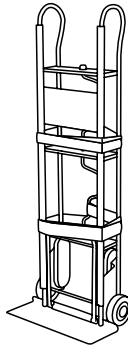
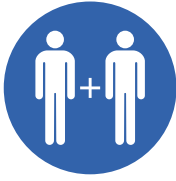


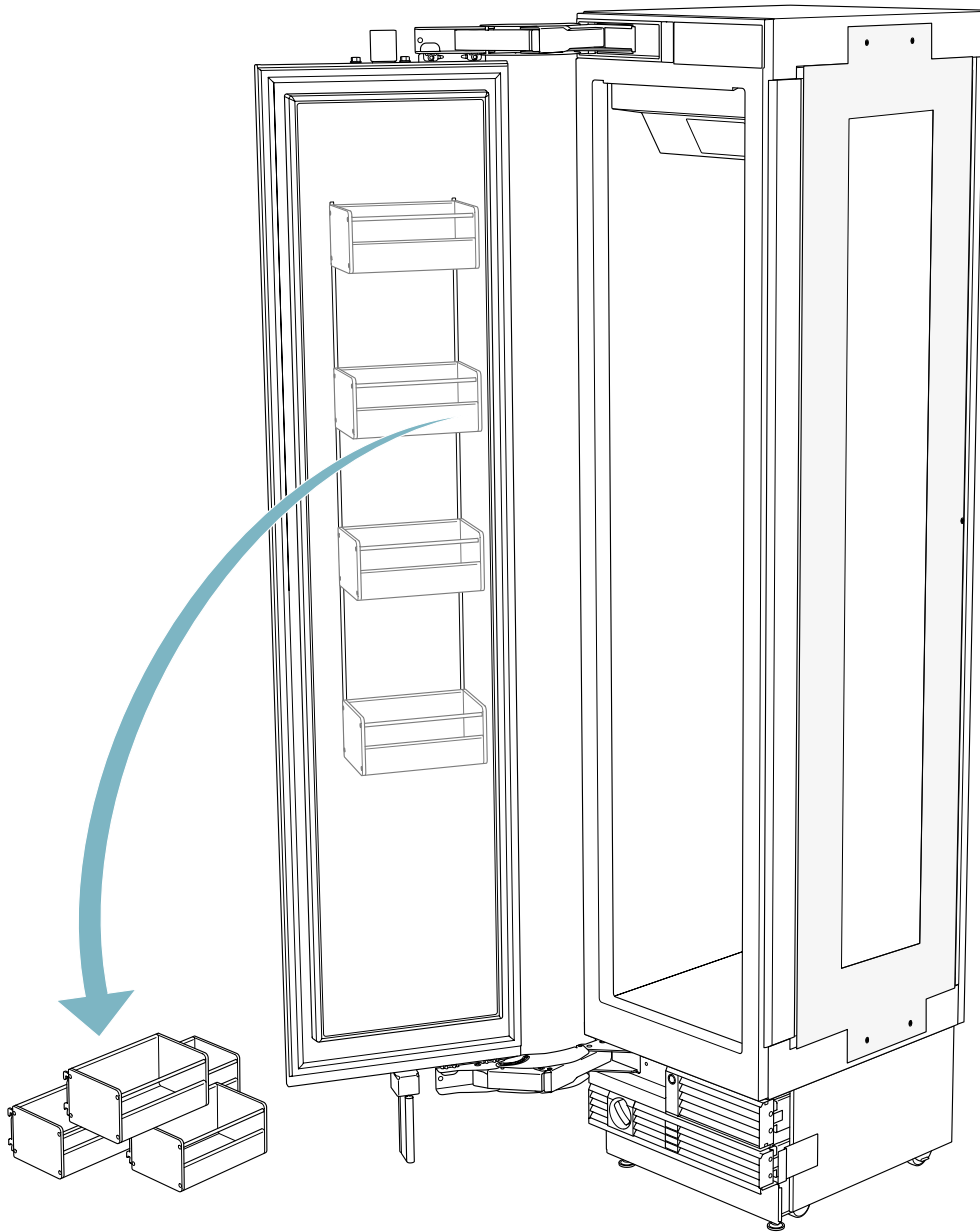
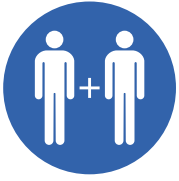
D

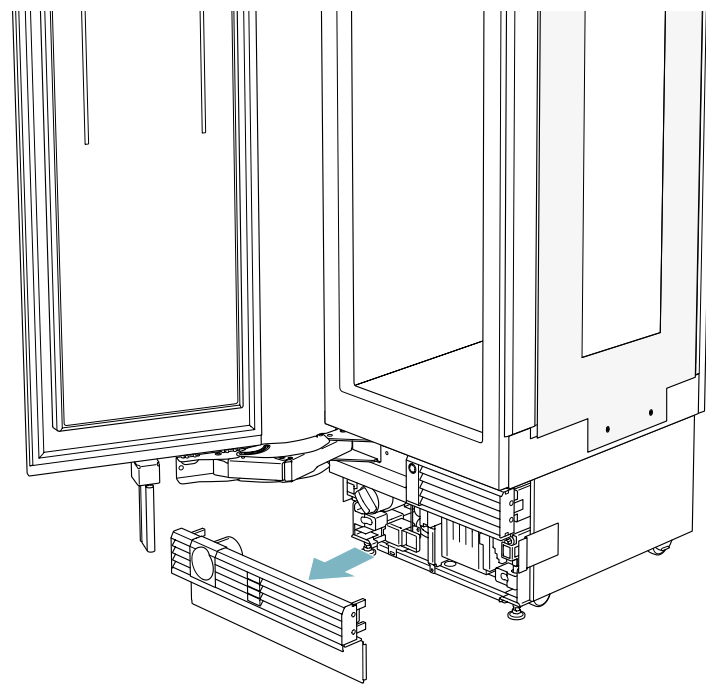
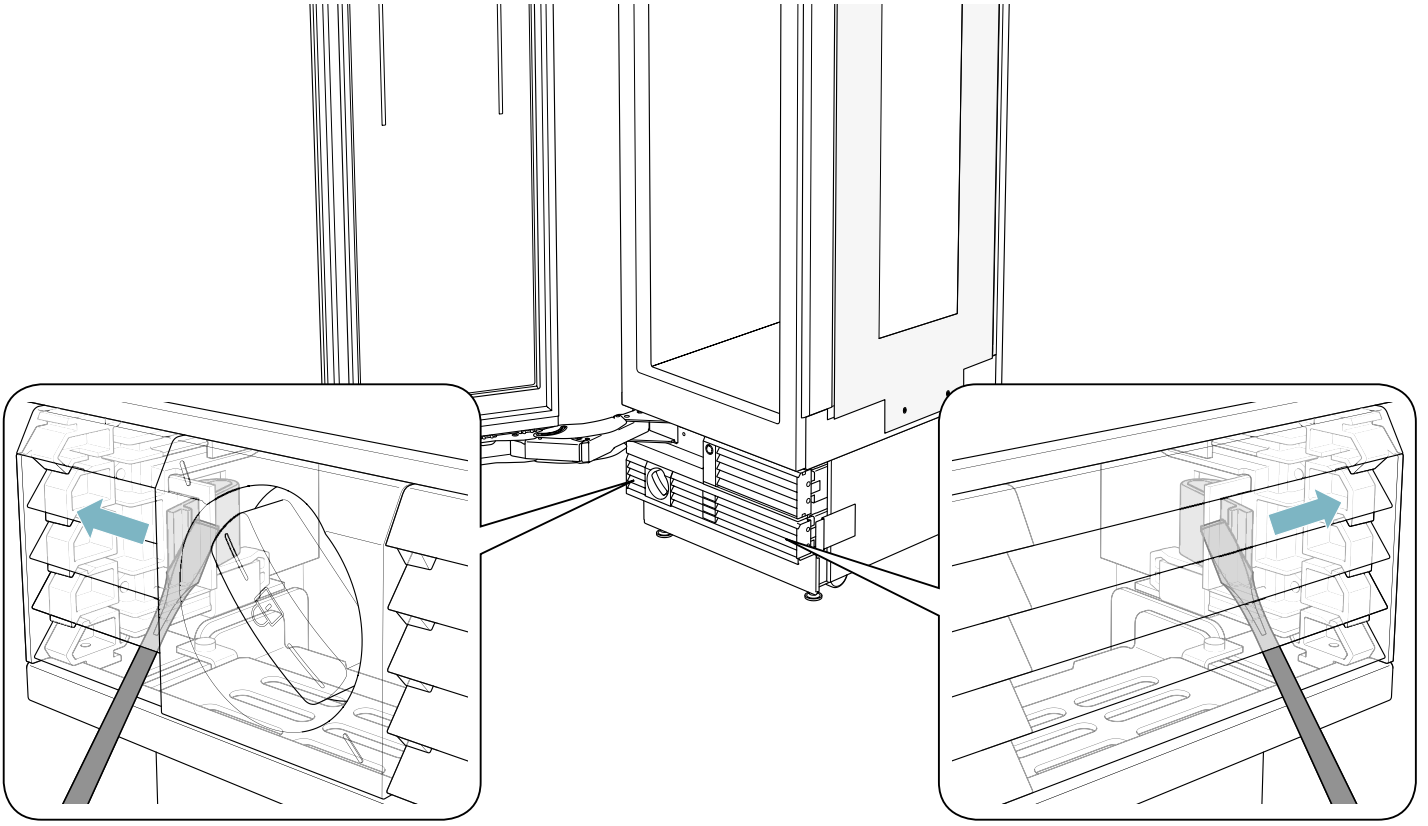
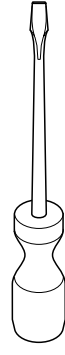
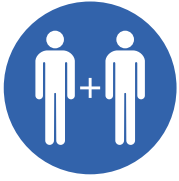


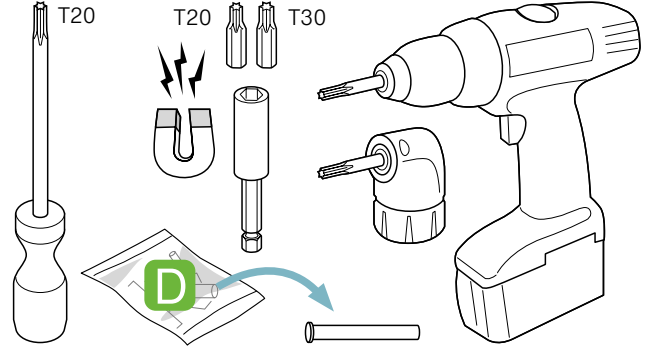
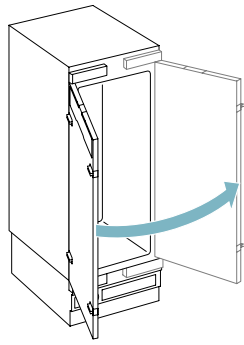
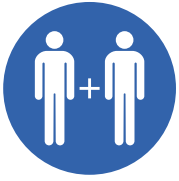










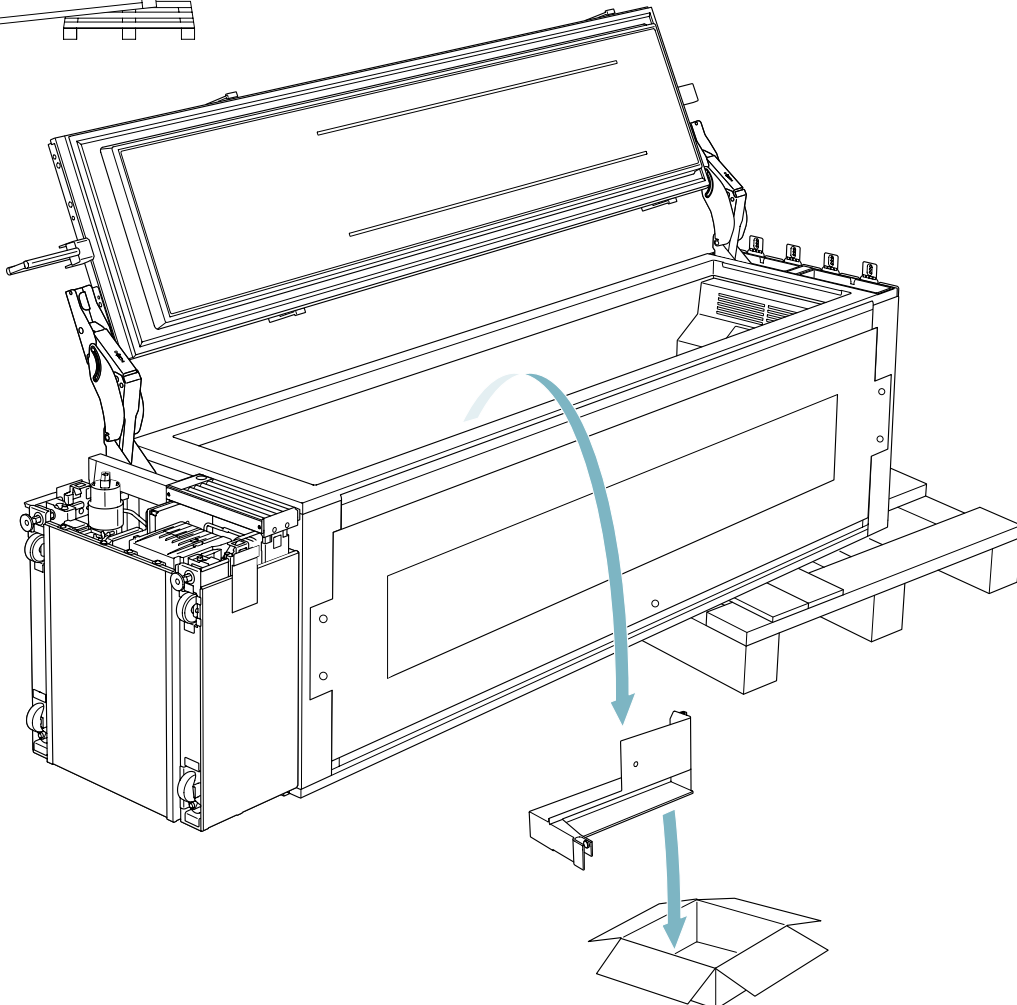
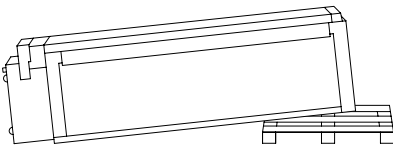
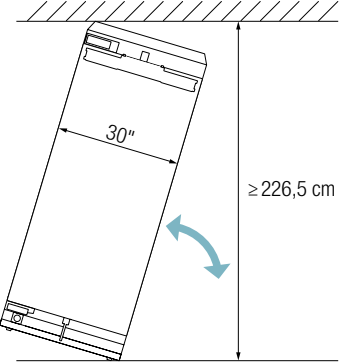
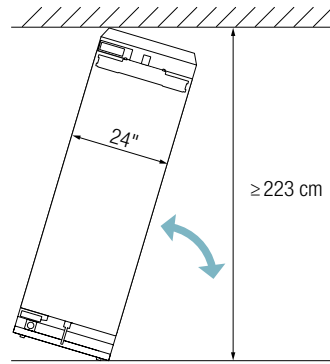
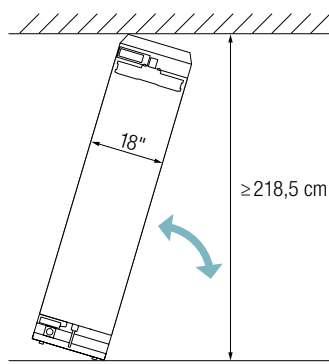
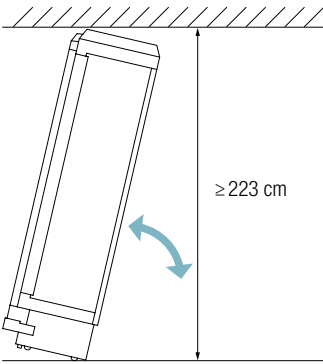


A

B

C

D

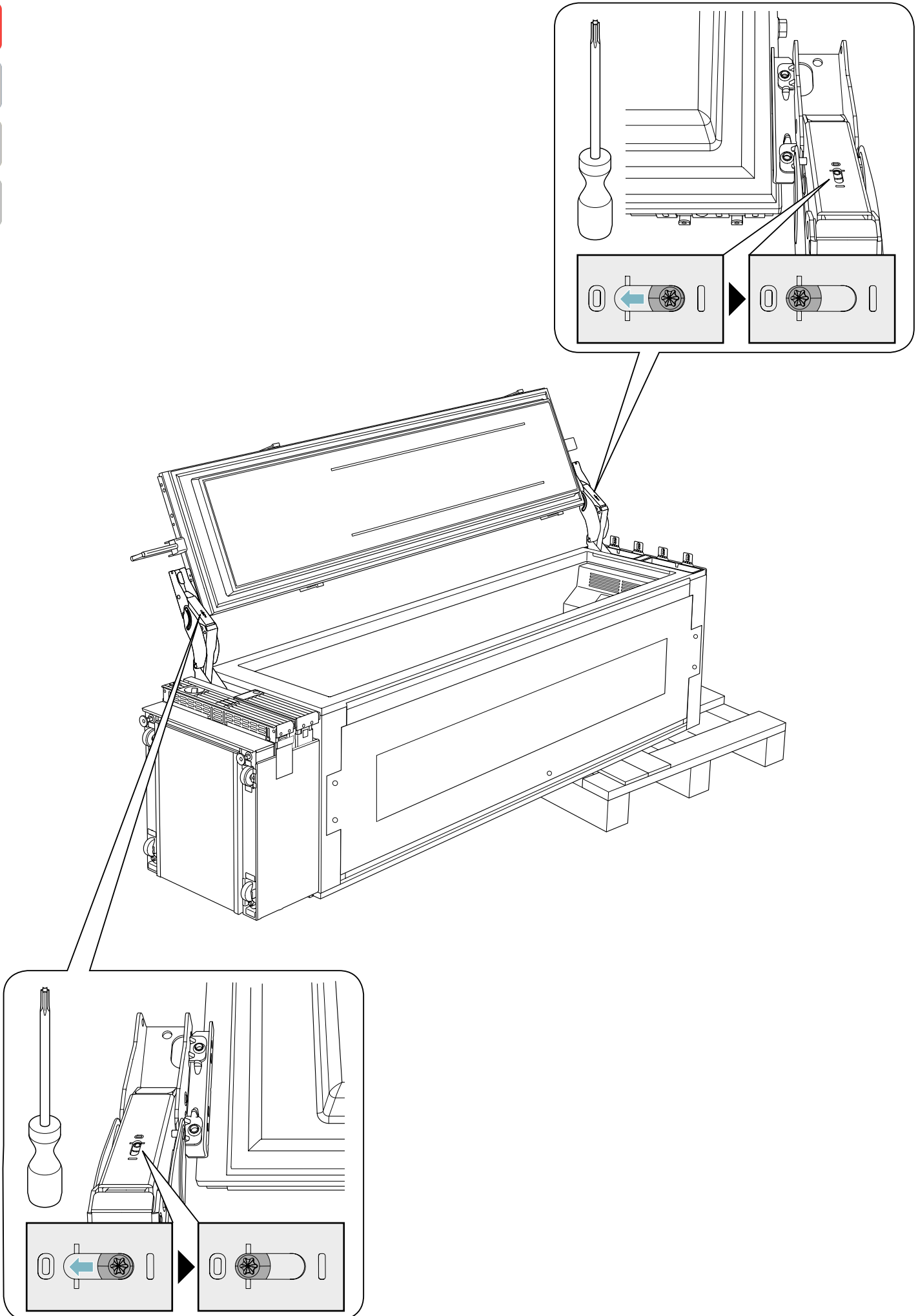


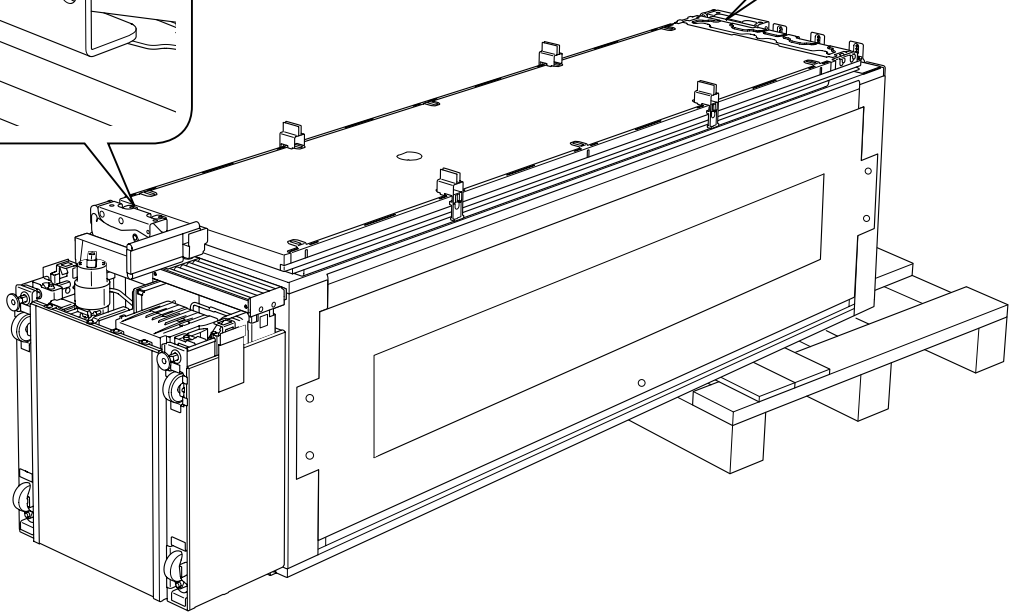
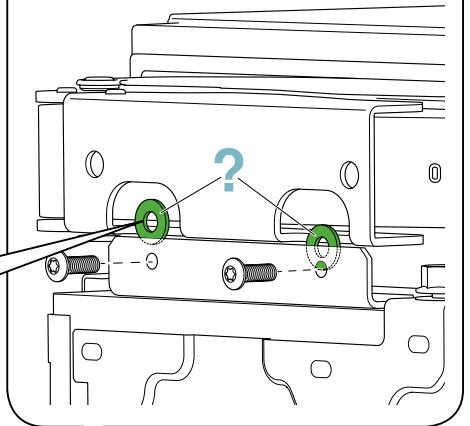
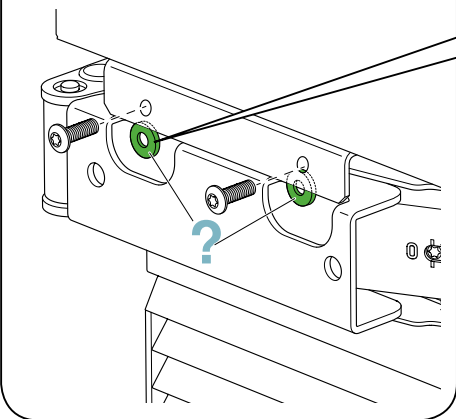
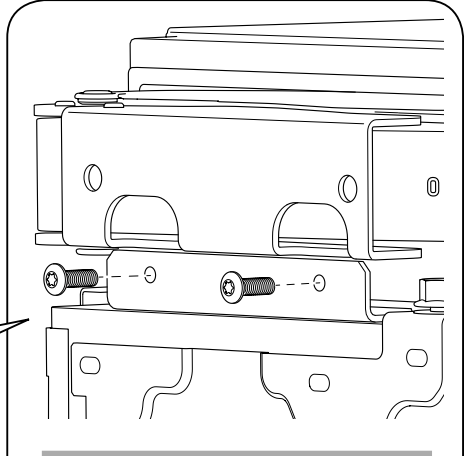
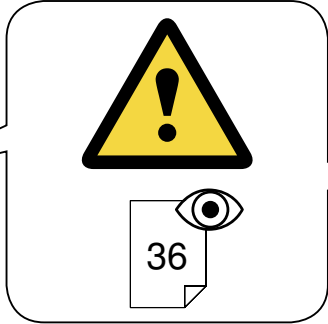
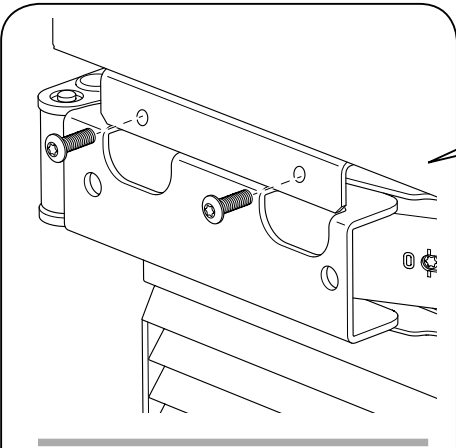
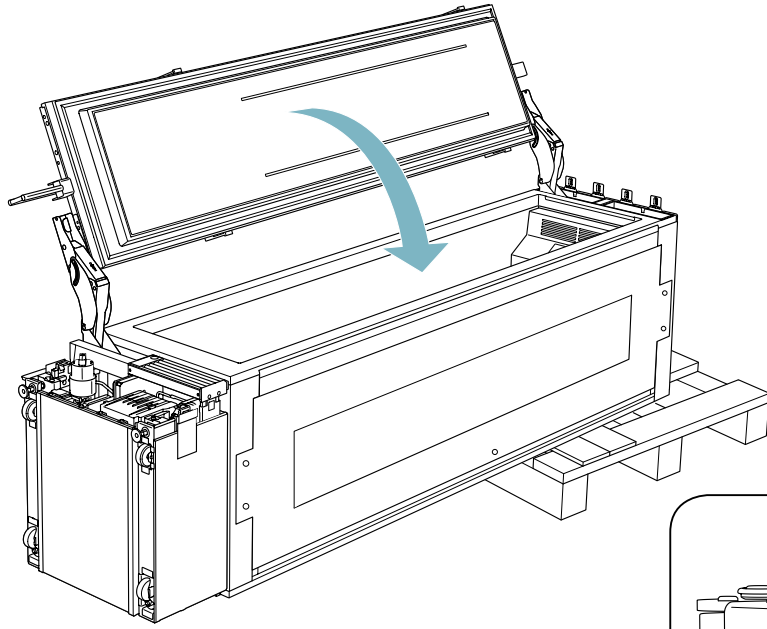
A

B

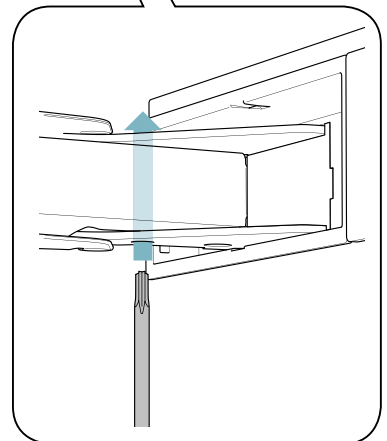
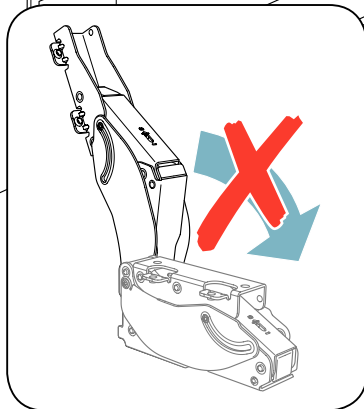
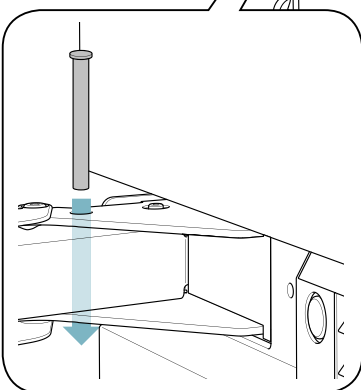
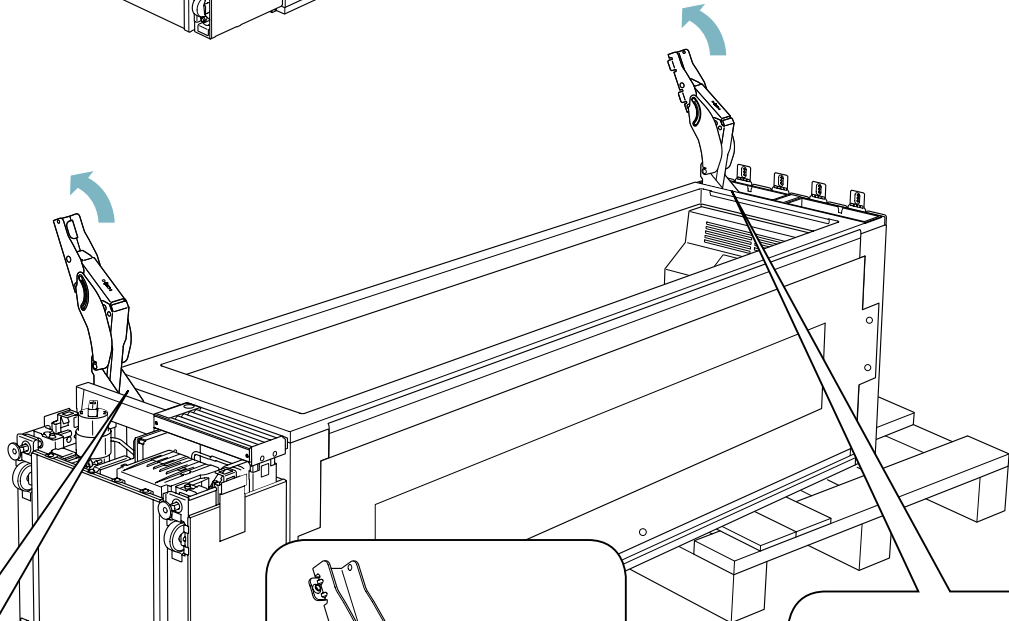
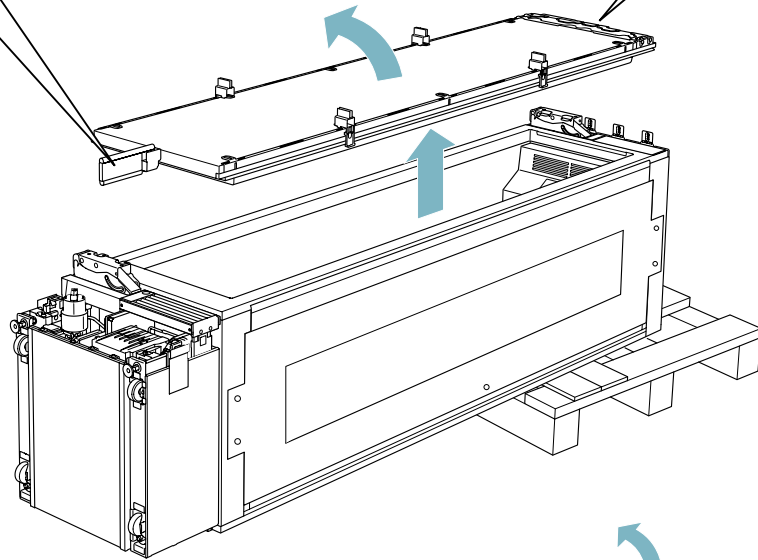
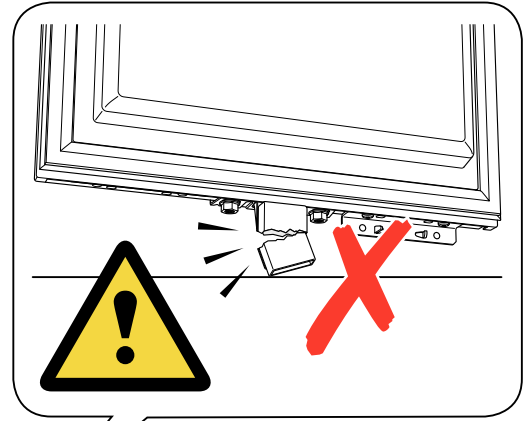
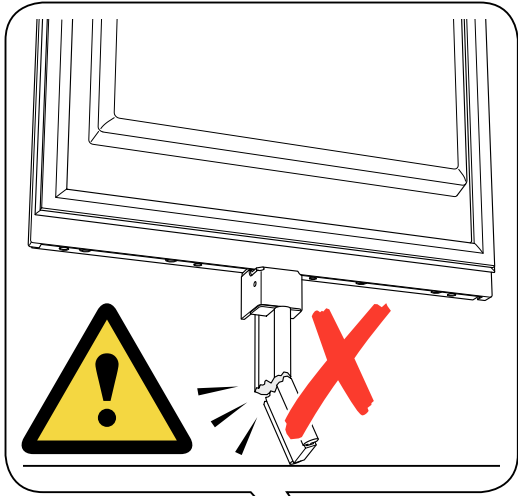
C

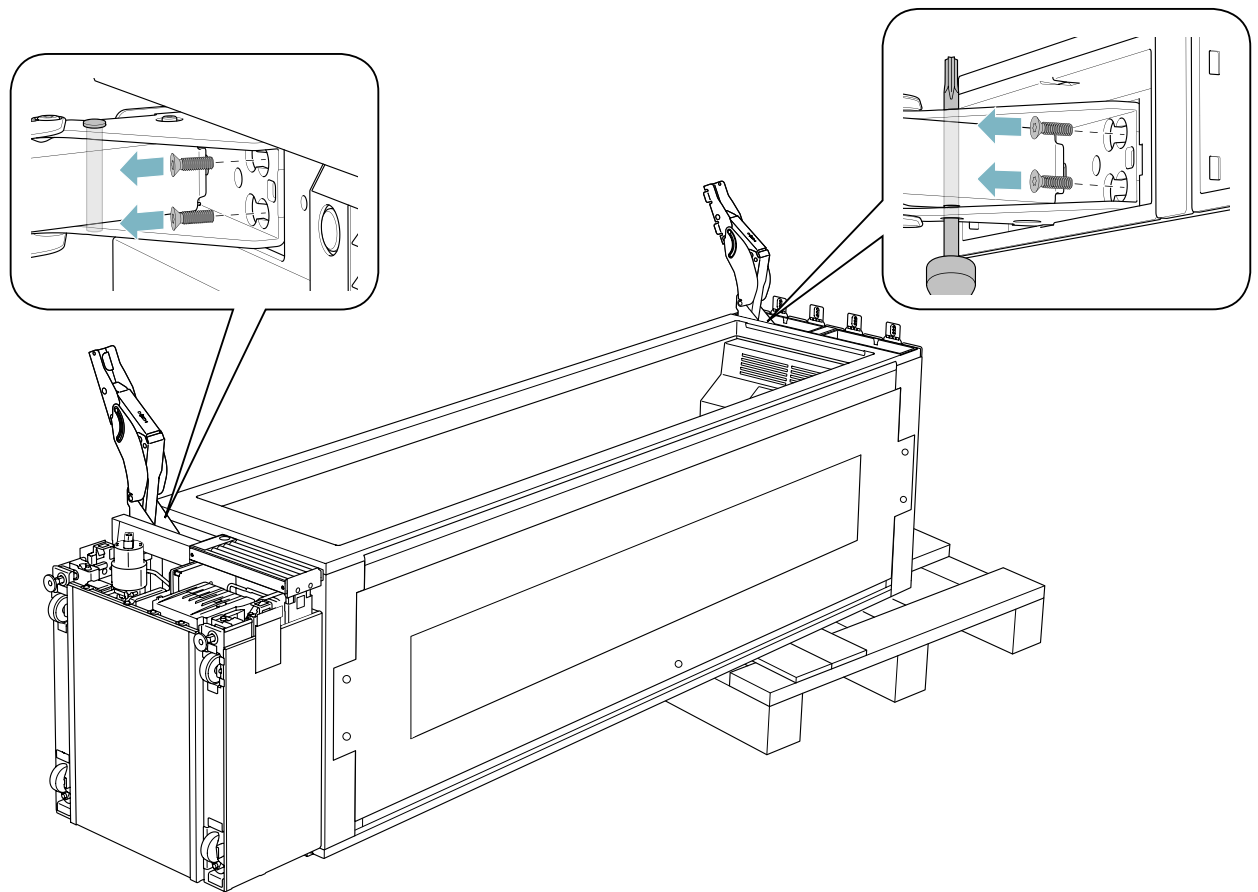
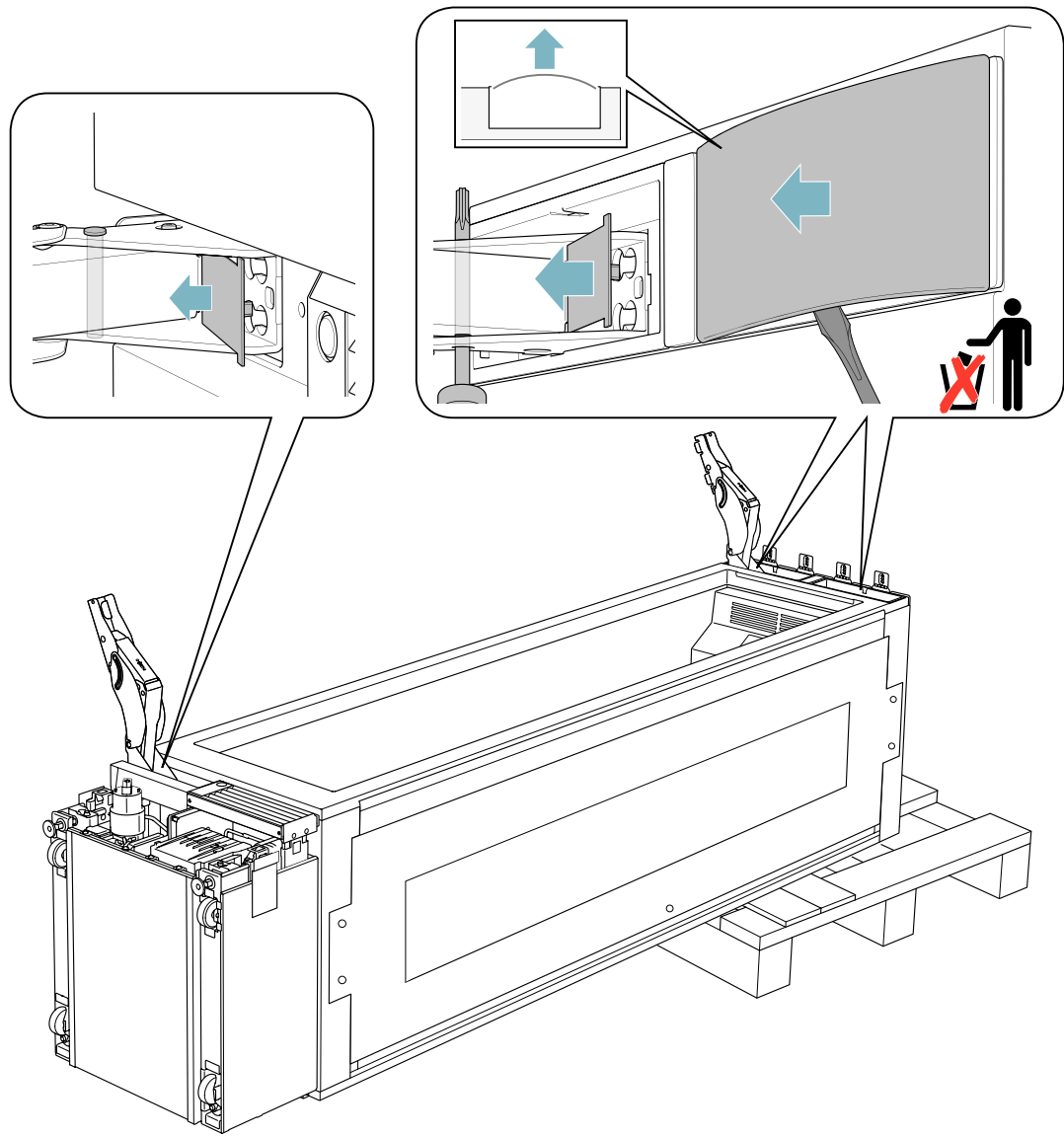
D





A
B
C
D



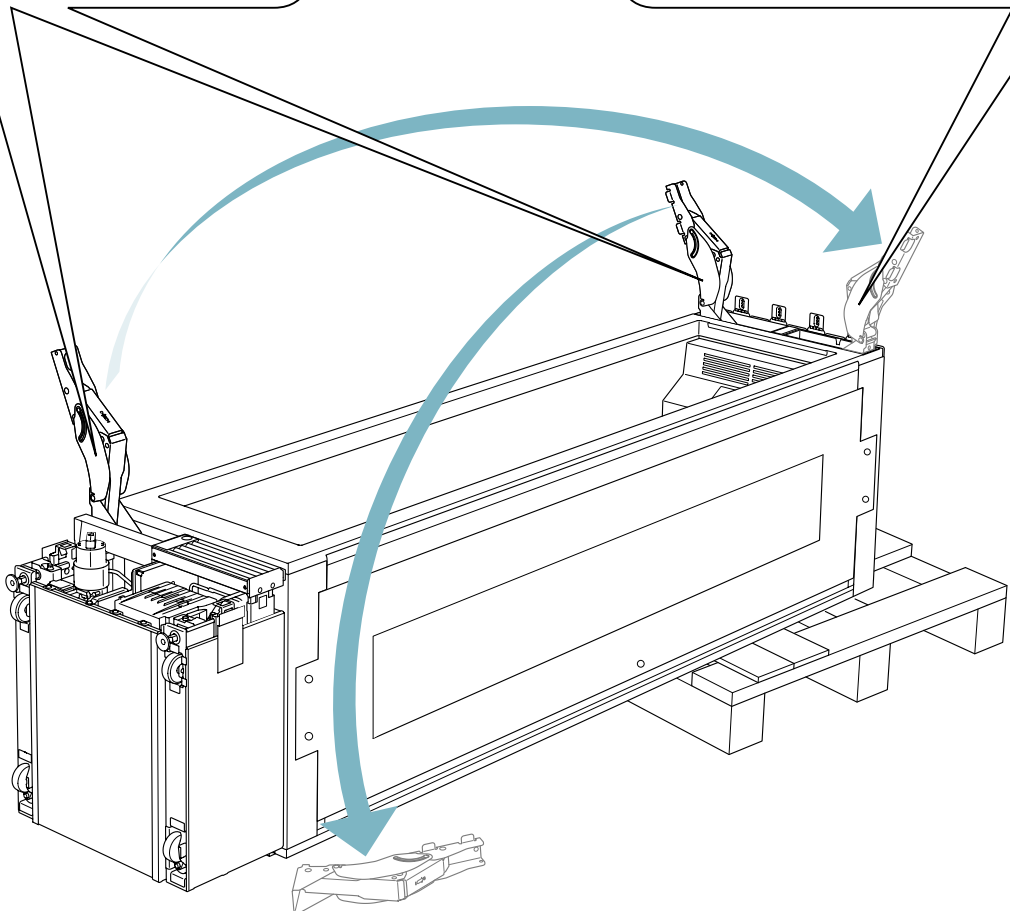
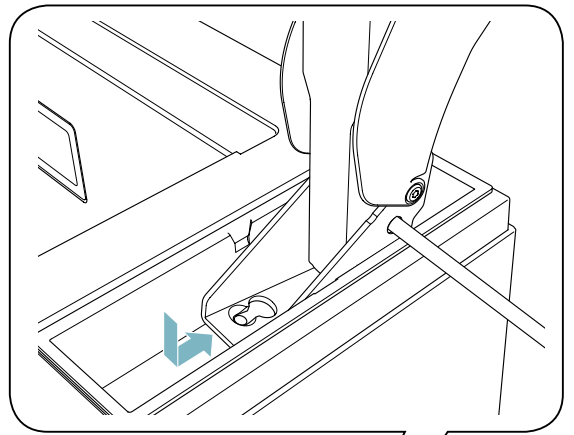
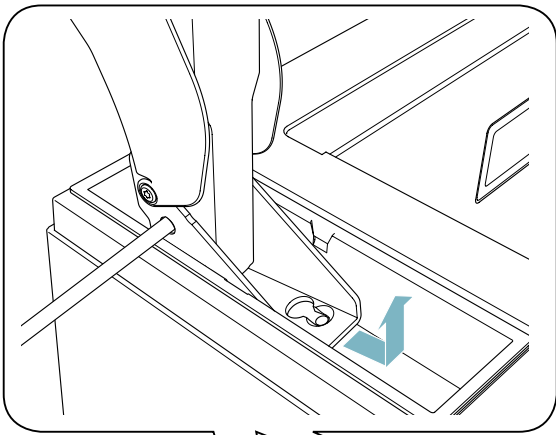
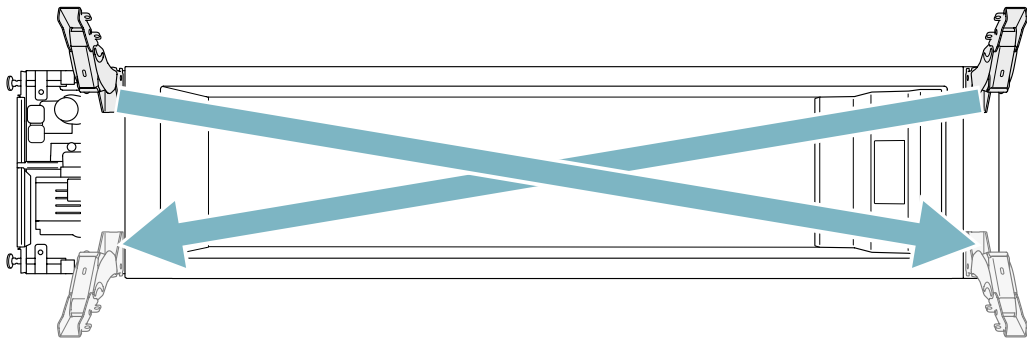


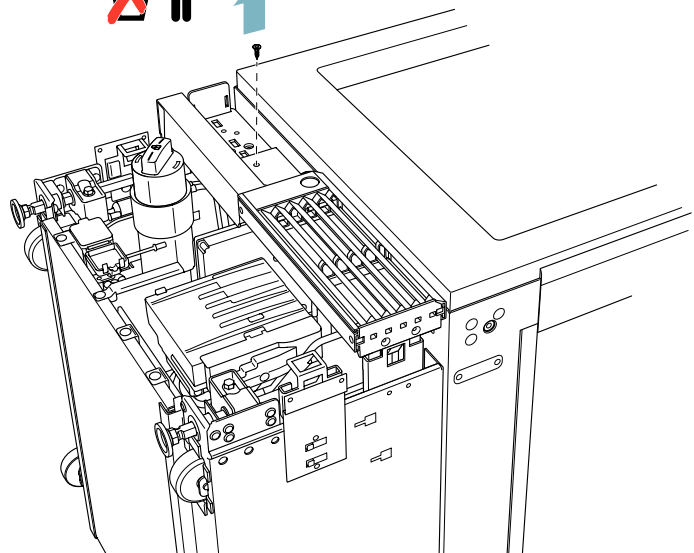
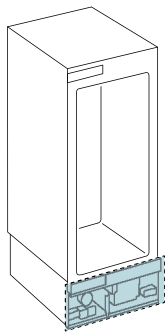
A

B

C

D



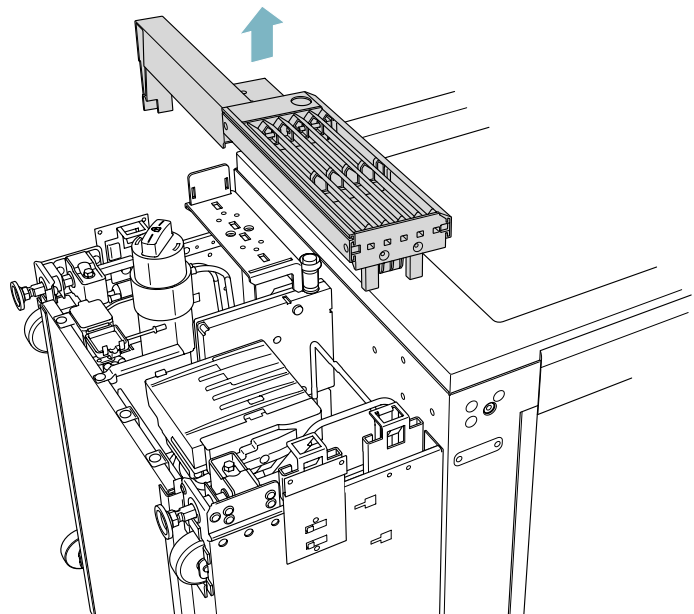
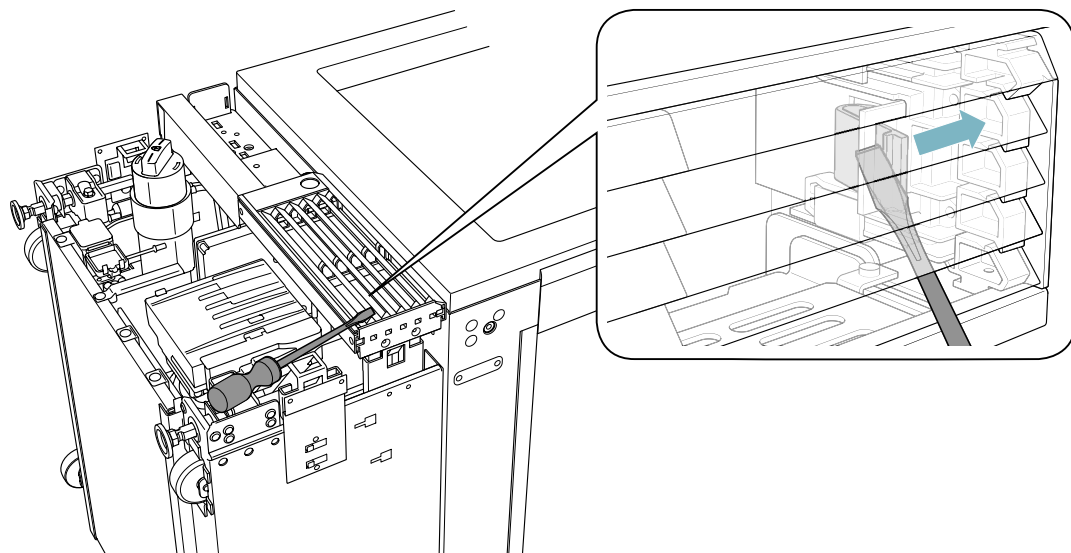


A

B

C

D



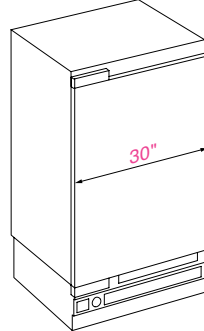
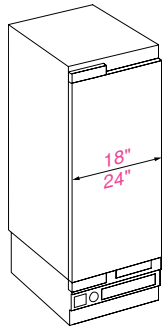
A

B

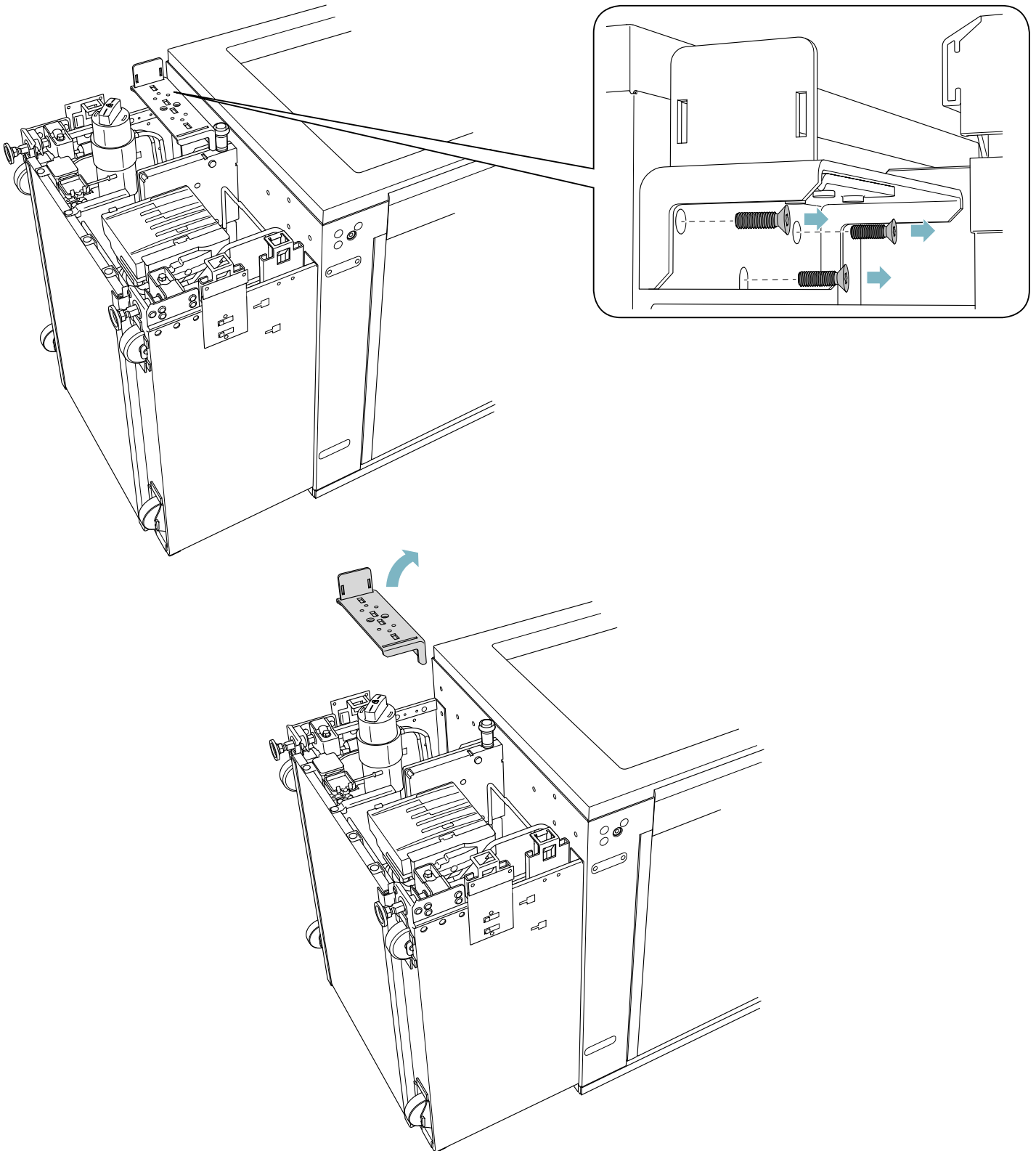
C

D

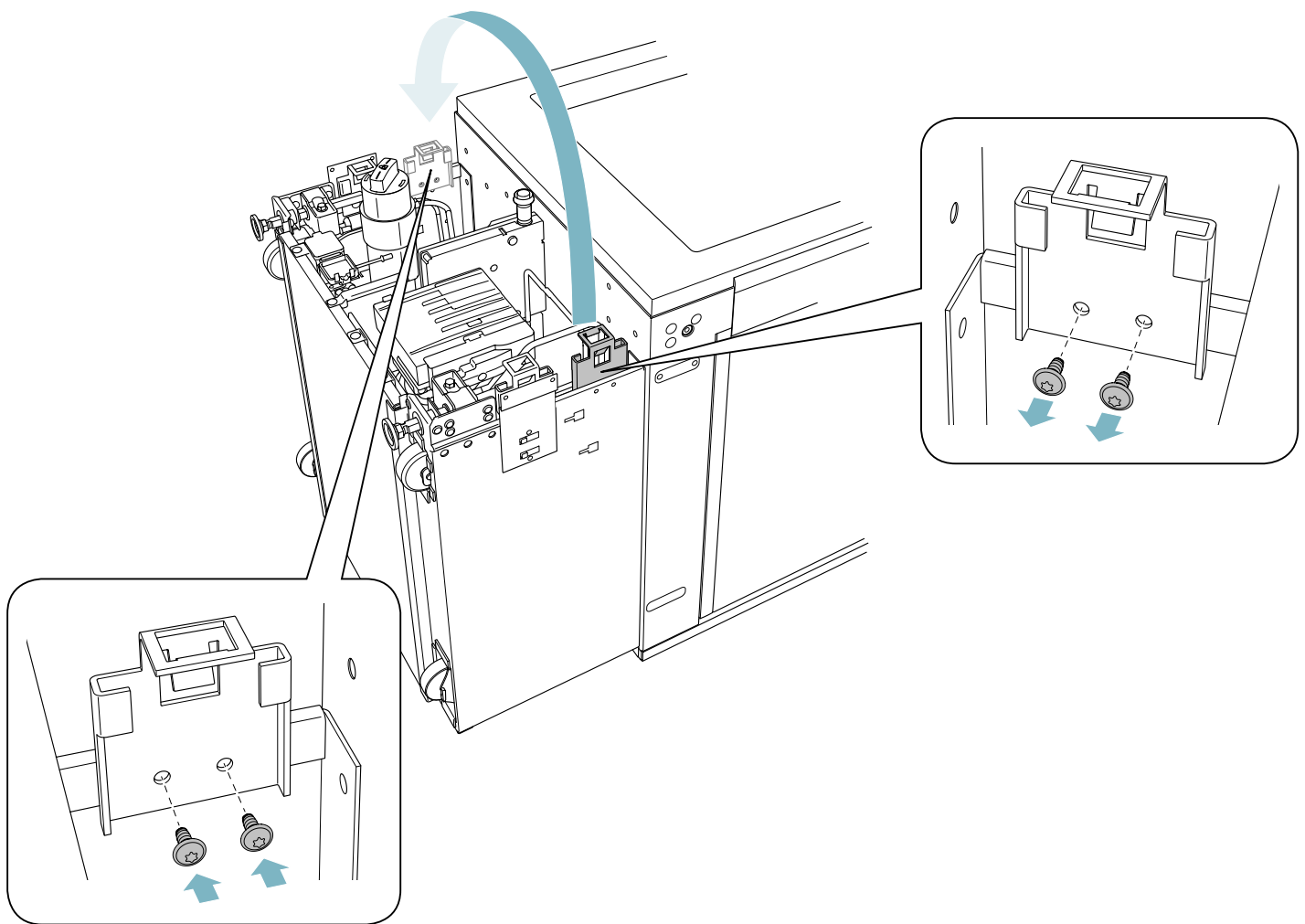
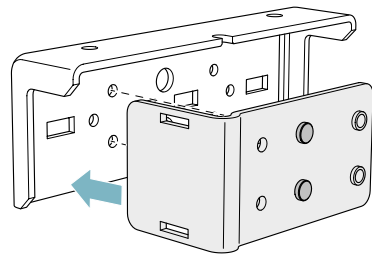
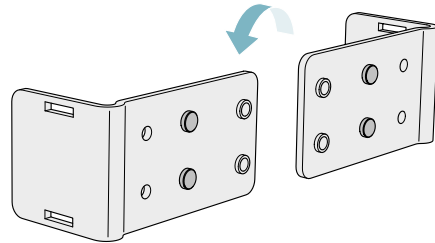
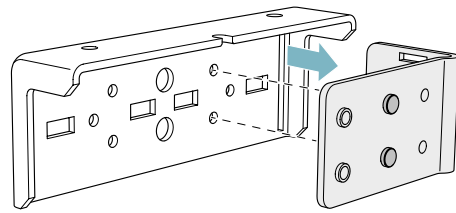
22



→25



- A
- B
- C
- D

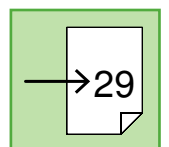
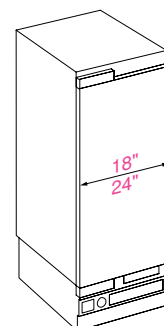
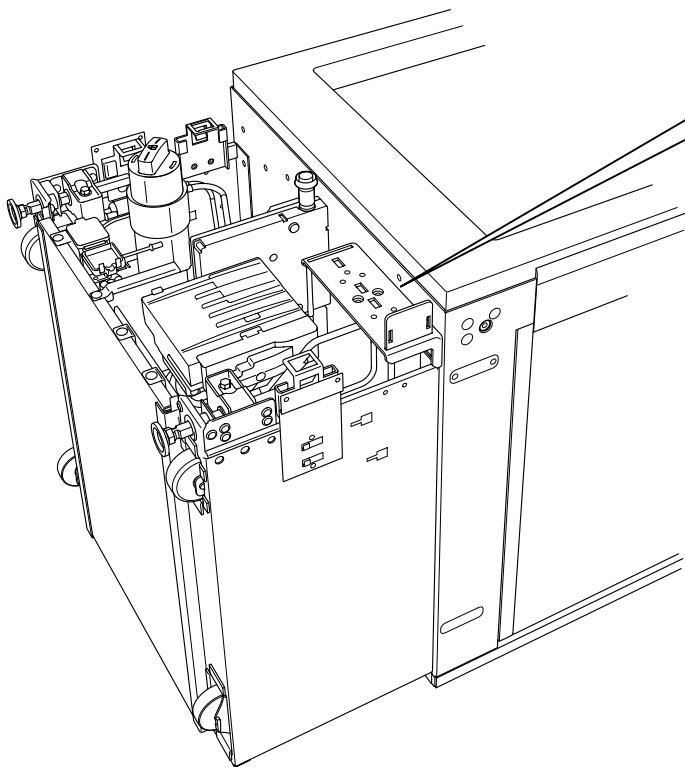
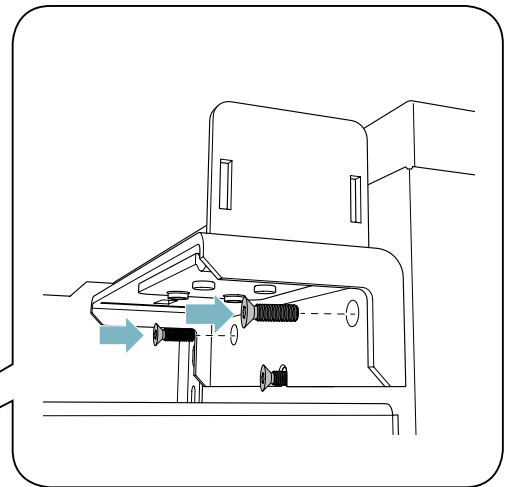
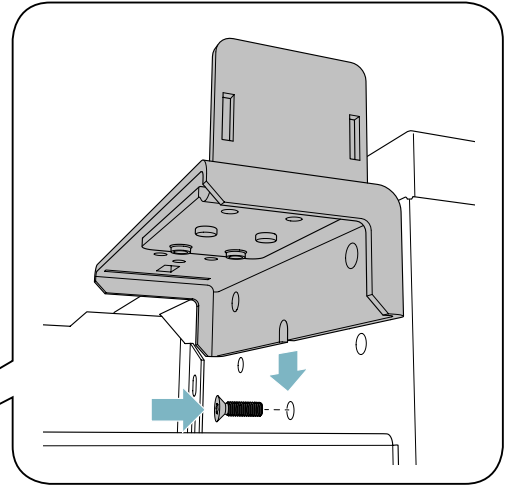
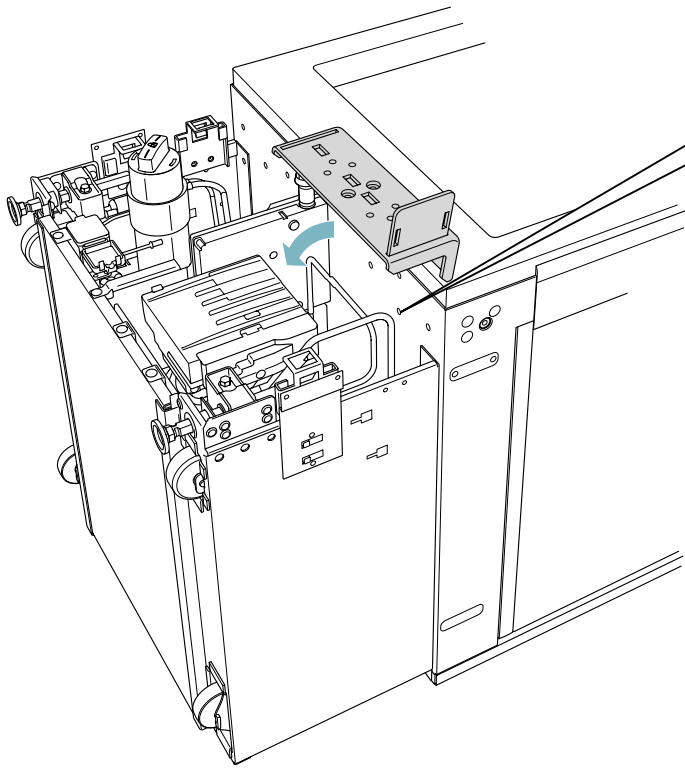


A

B

C

D



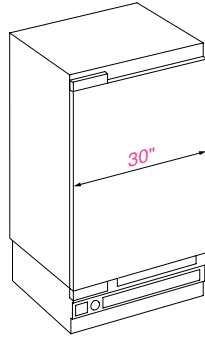
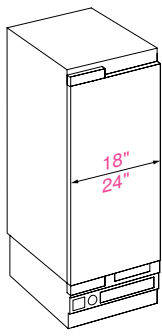
A

B

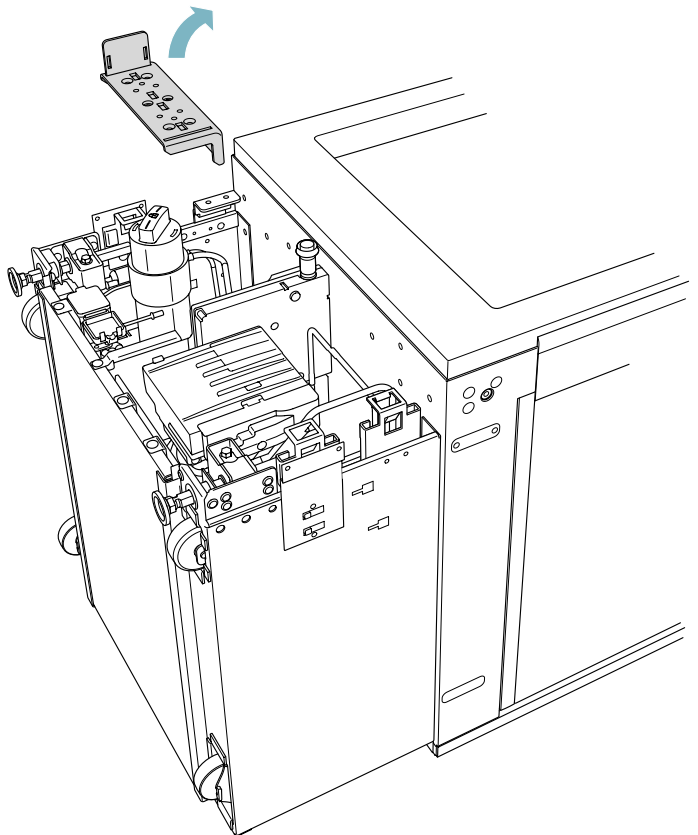
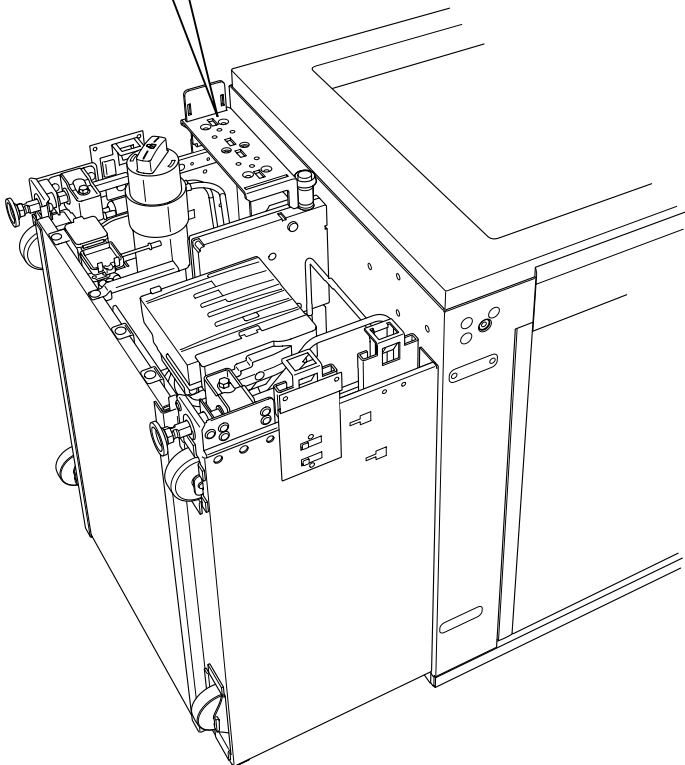
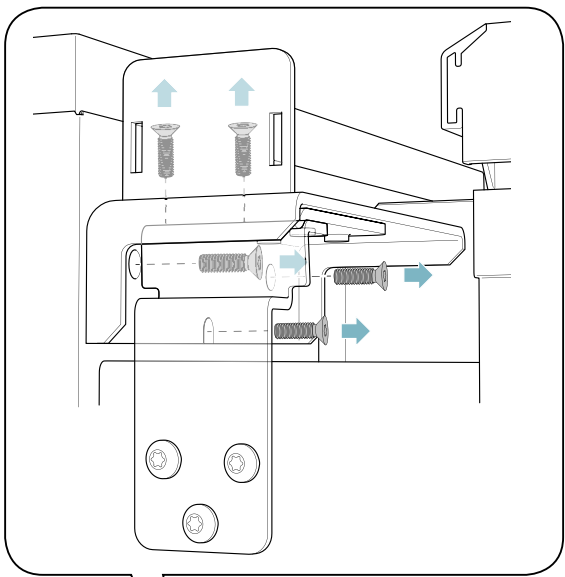
C

D

22 ←



25

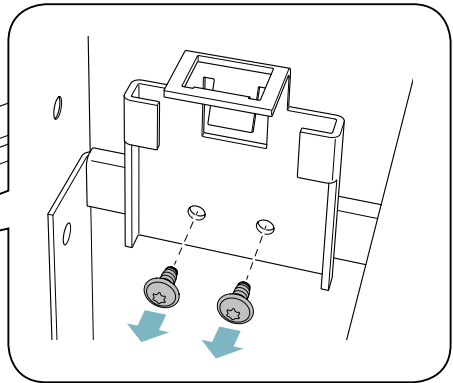
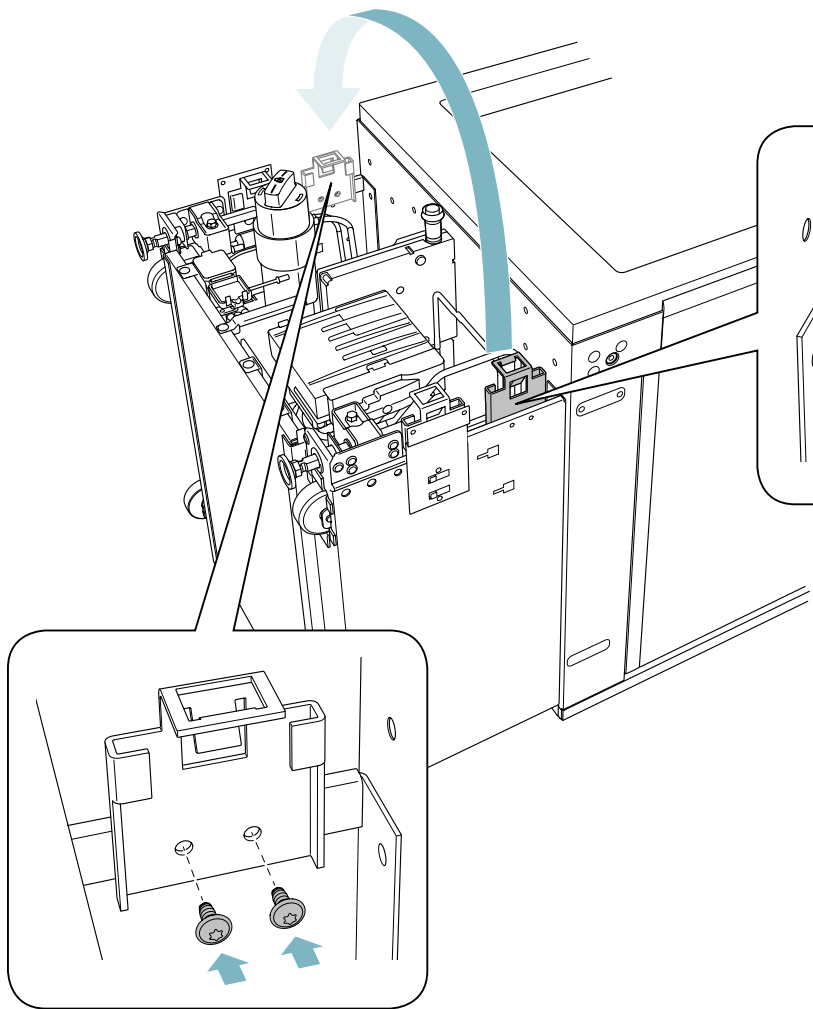
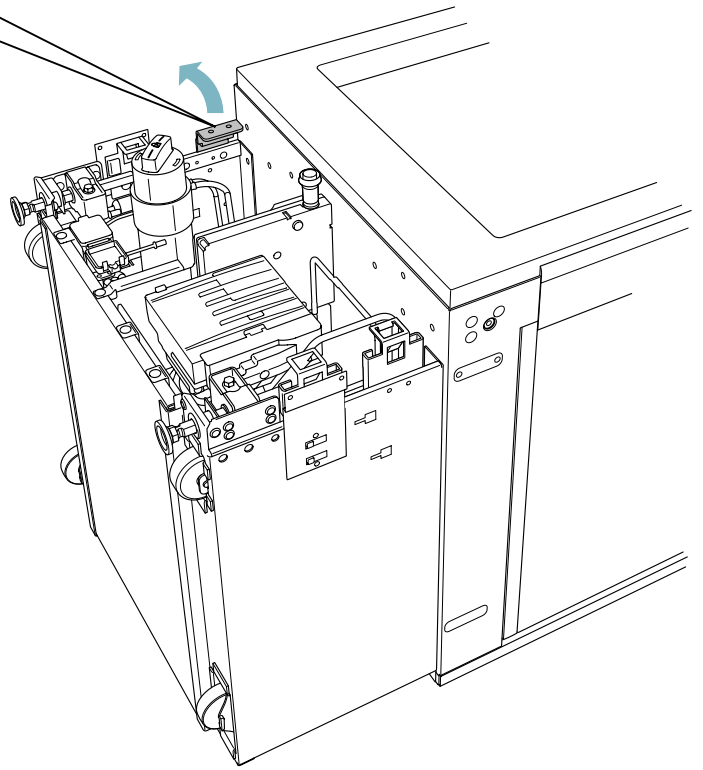
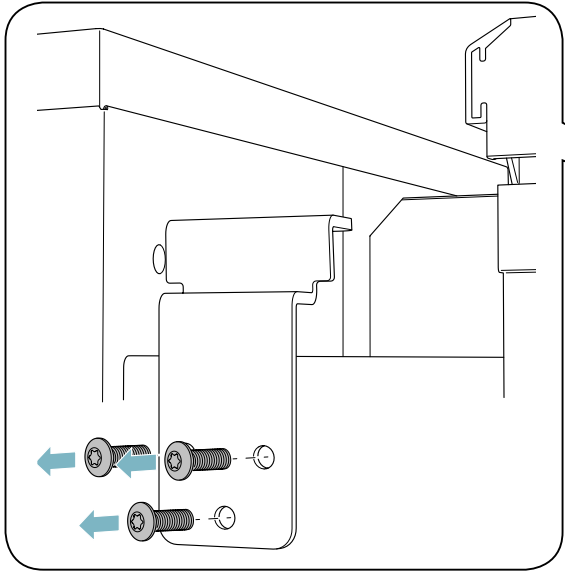


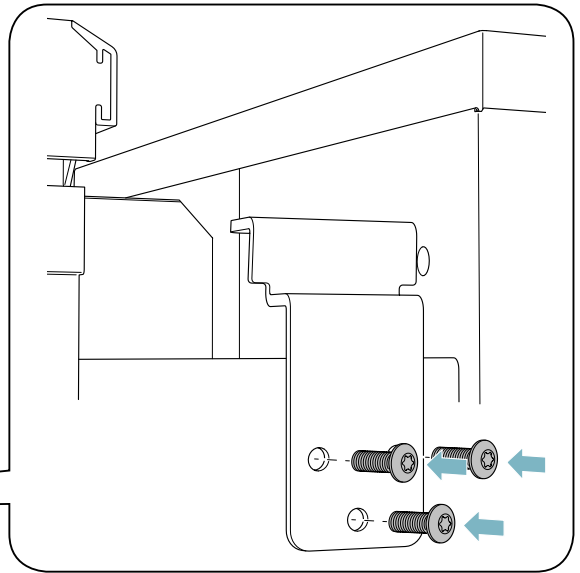
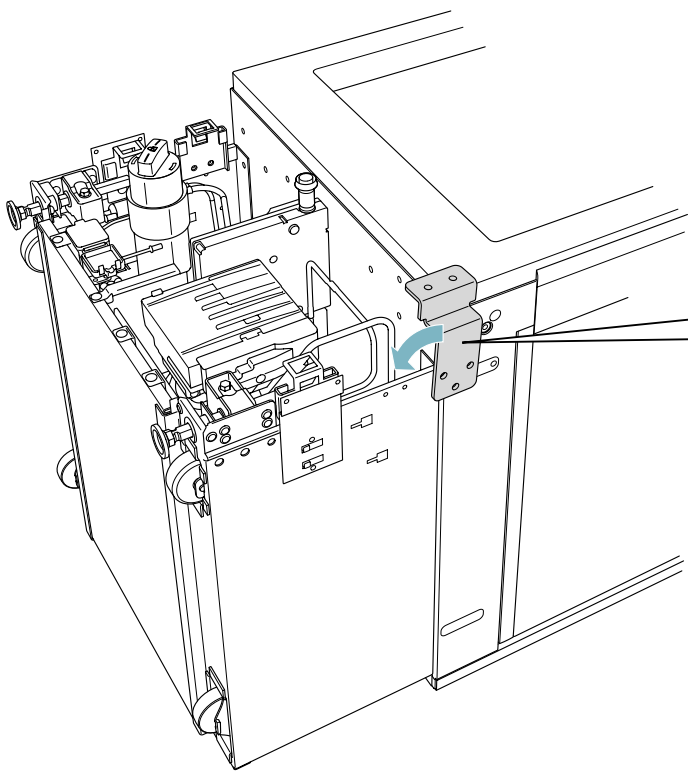
A

B

C

D



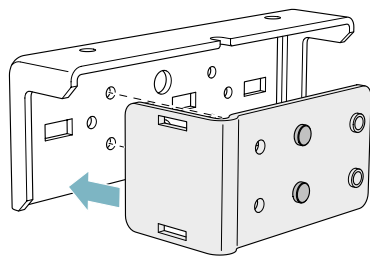
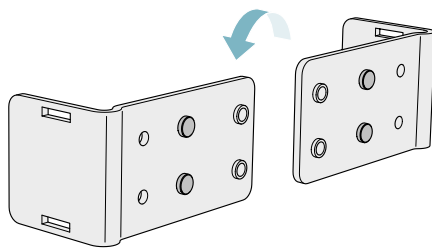
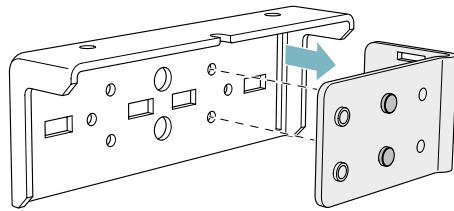


A

B

C

D

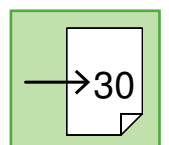
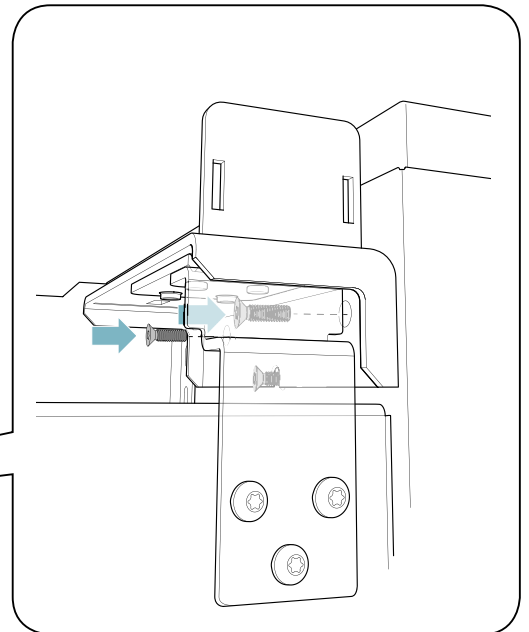
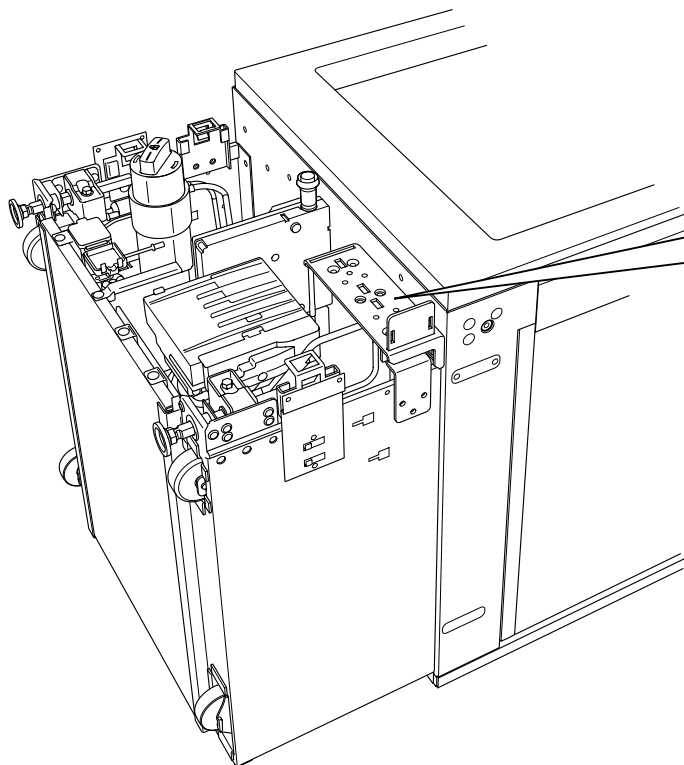
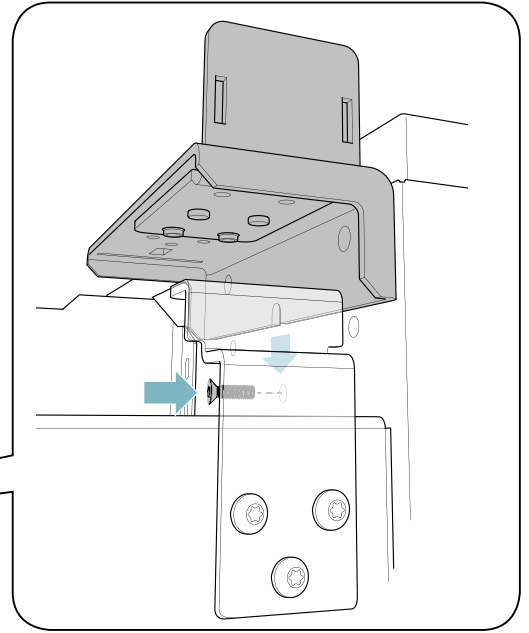
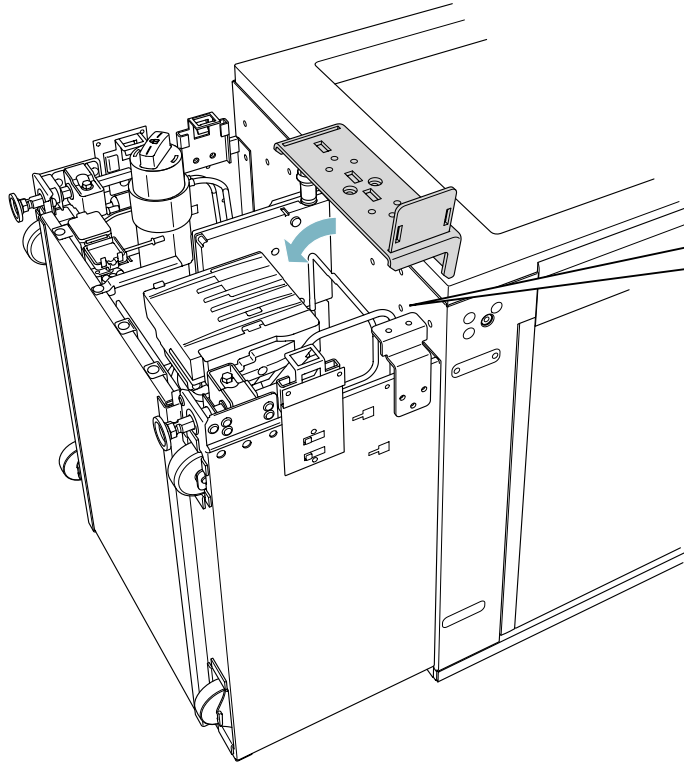


A

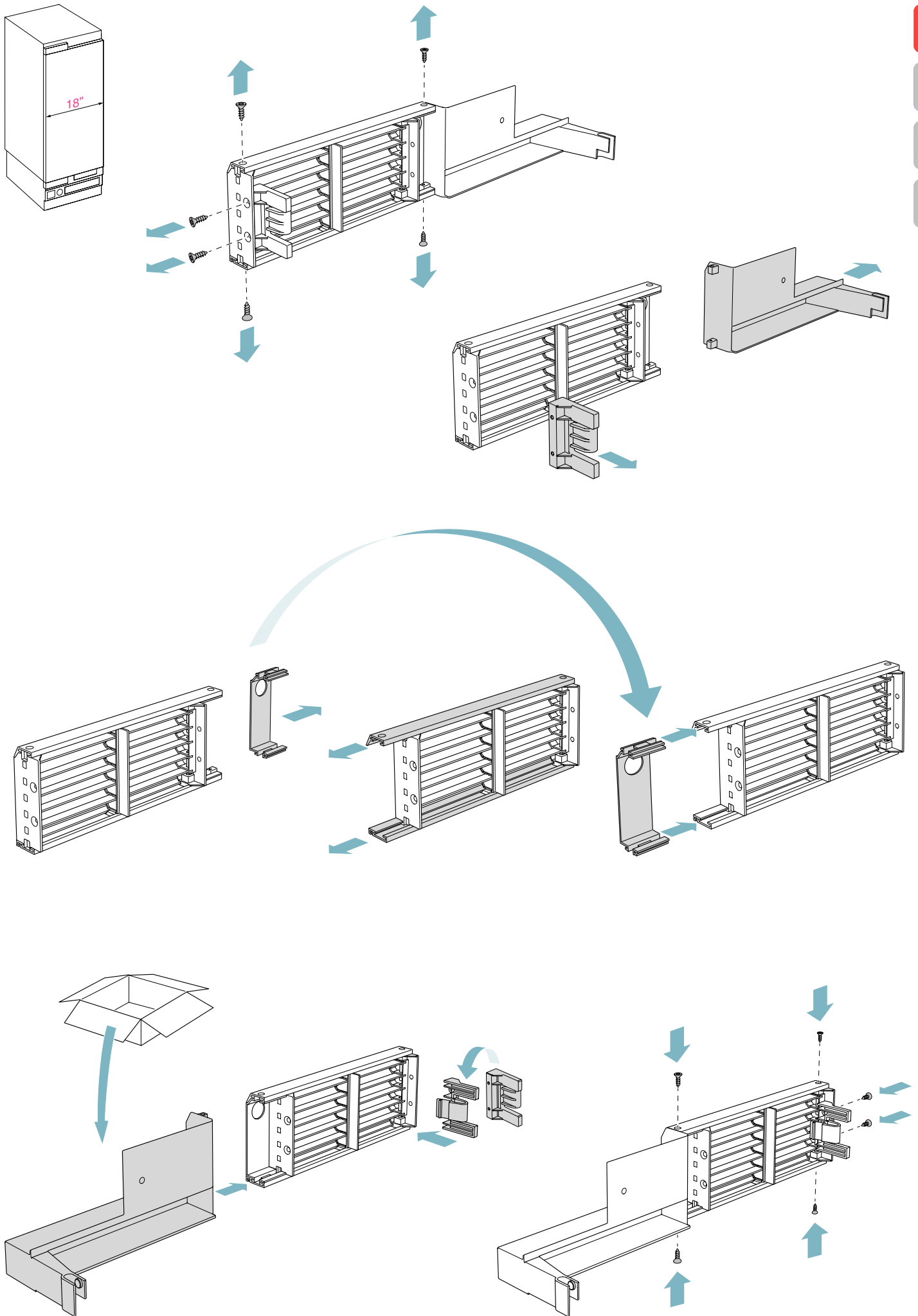
B

C

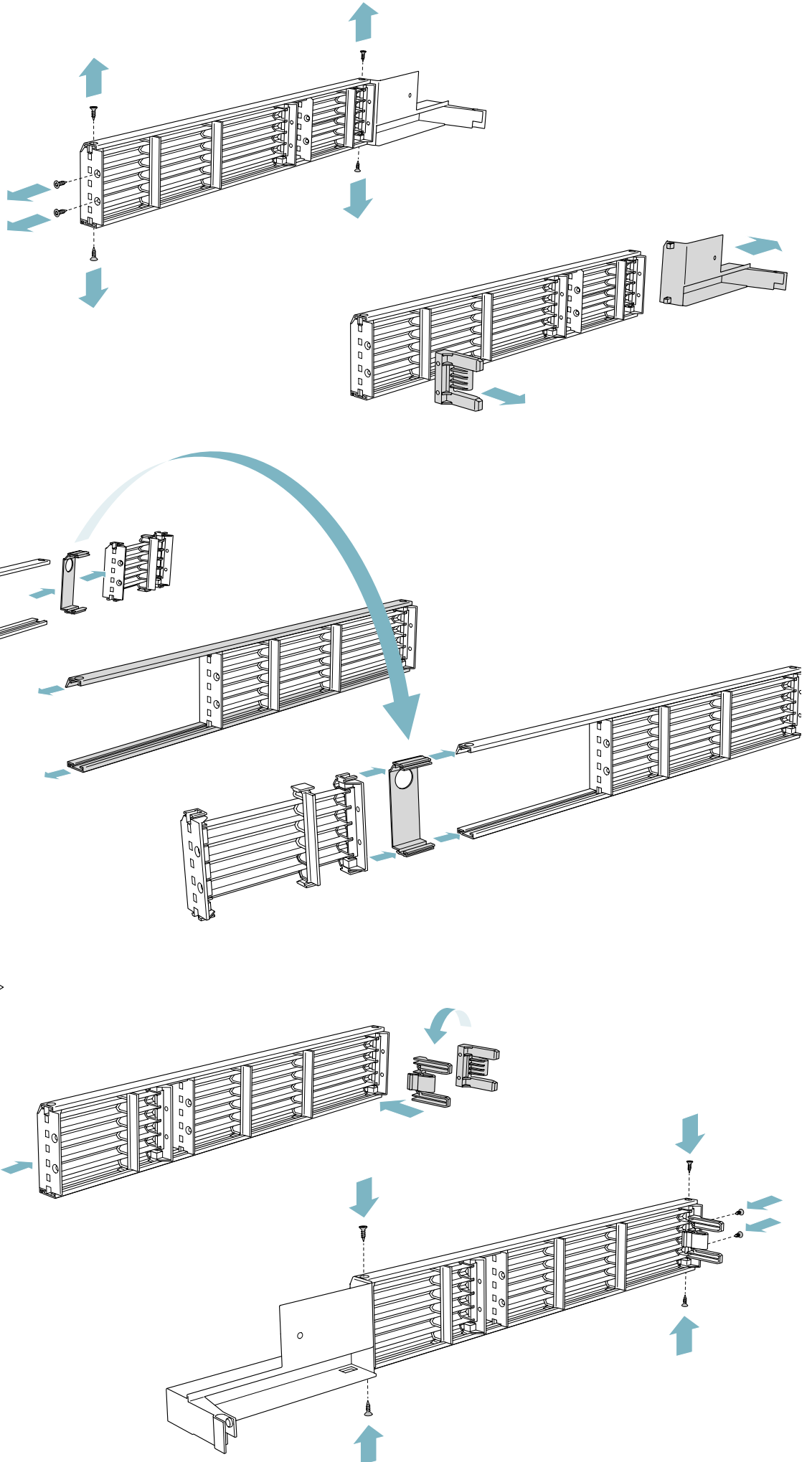
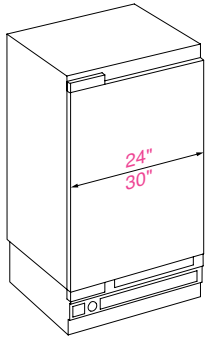
D



A
B
C
D



A
B
C
D

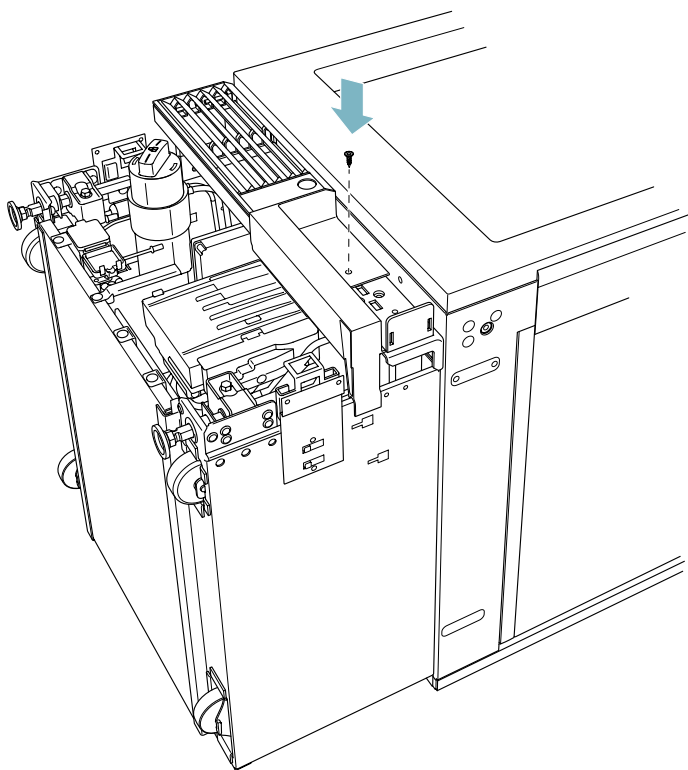
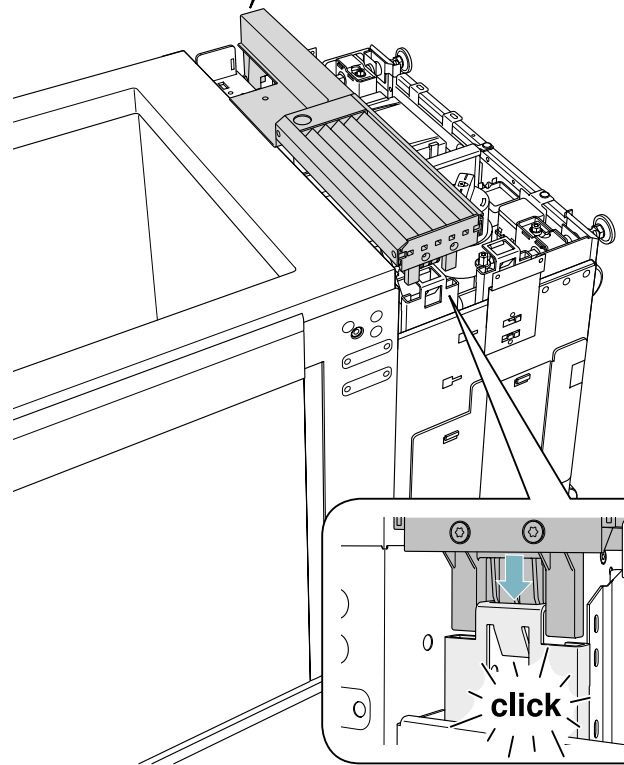
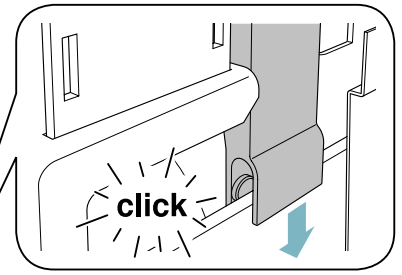
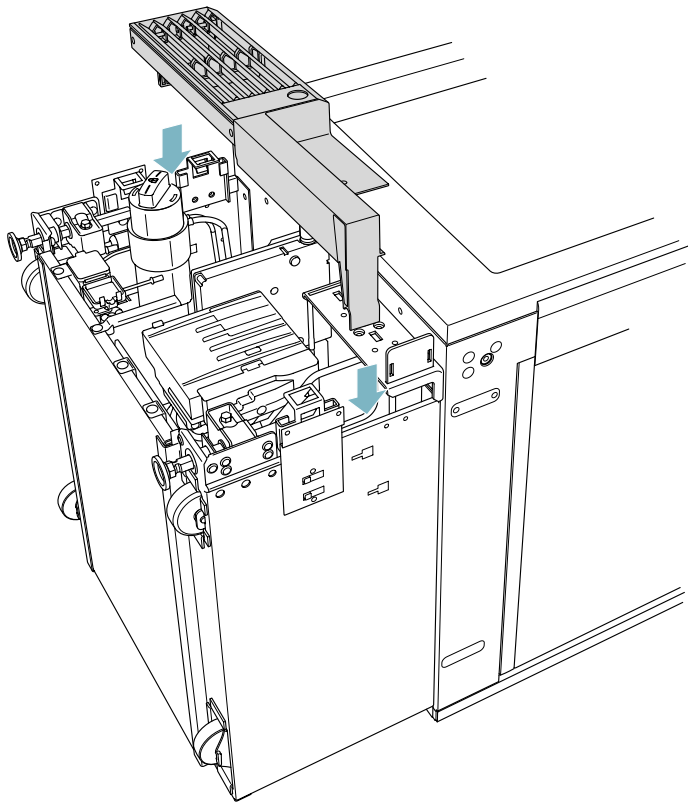


A

B

C

D

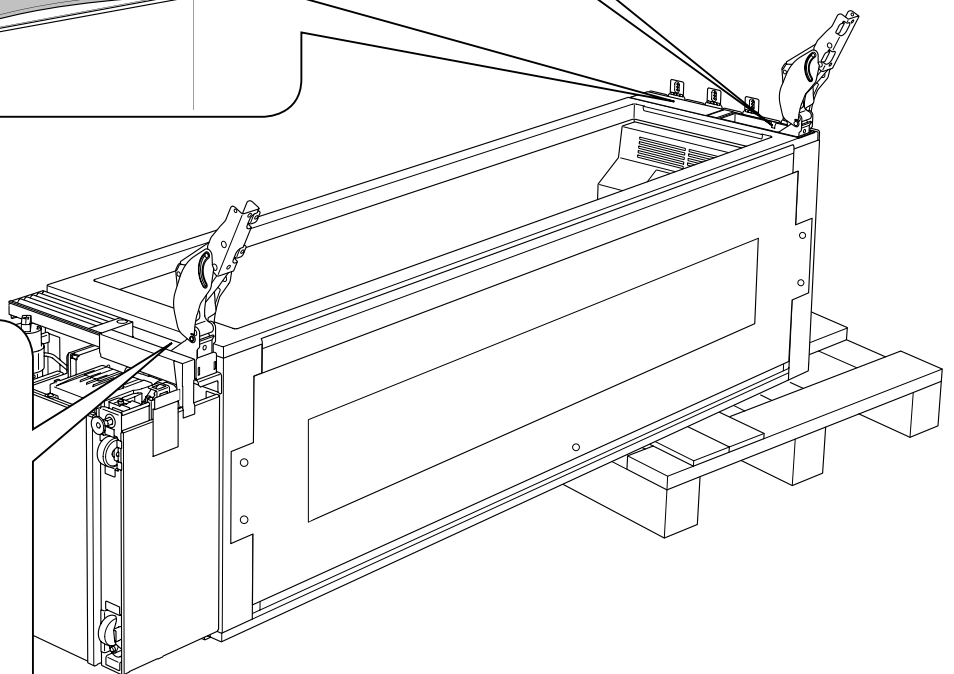
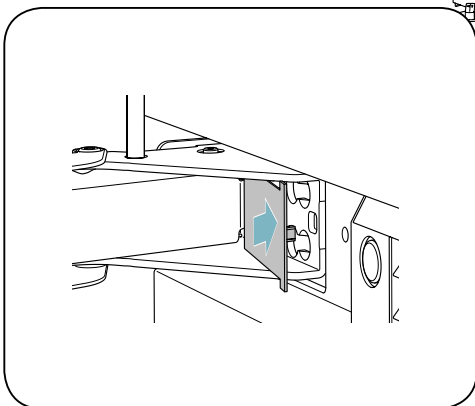
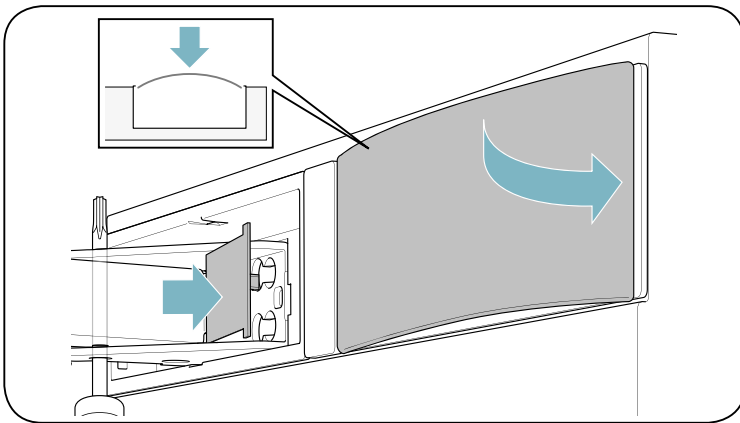
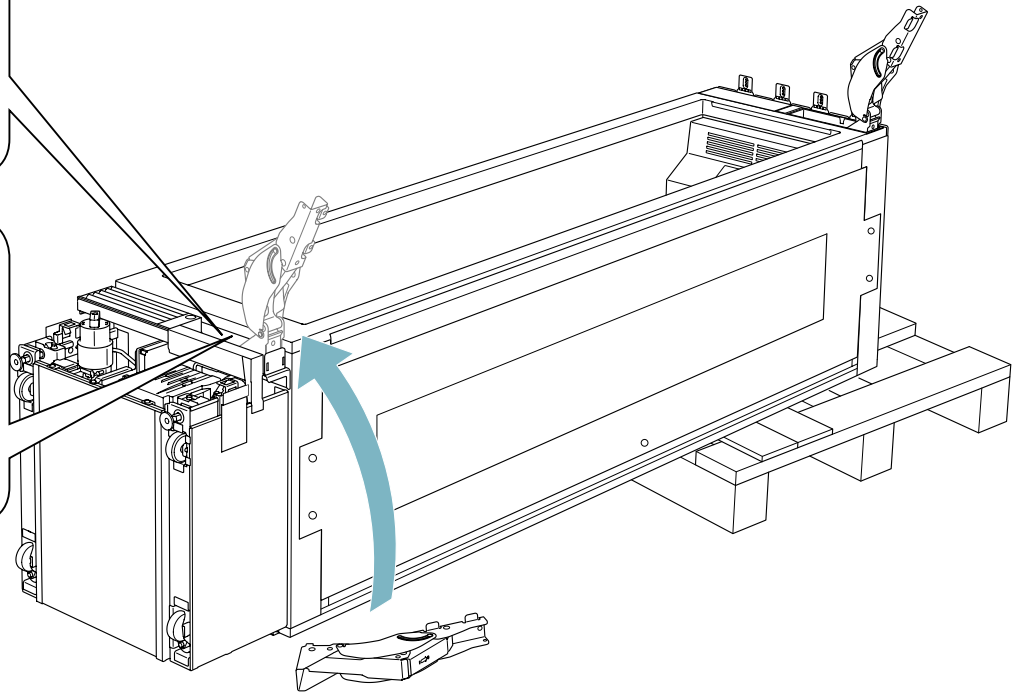
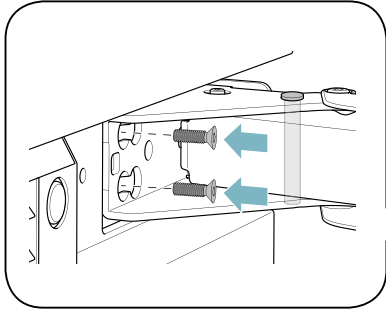
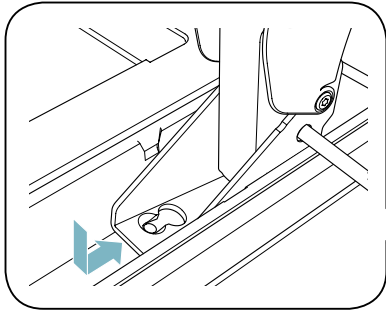


A

B

C

D

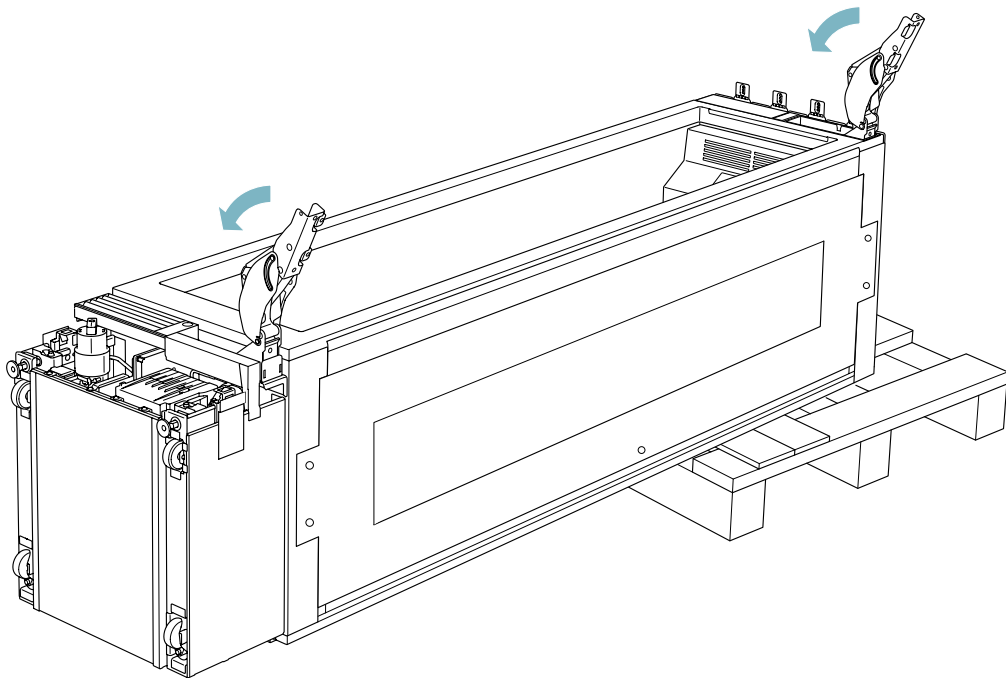
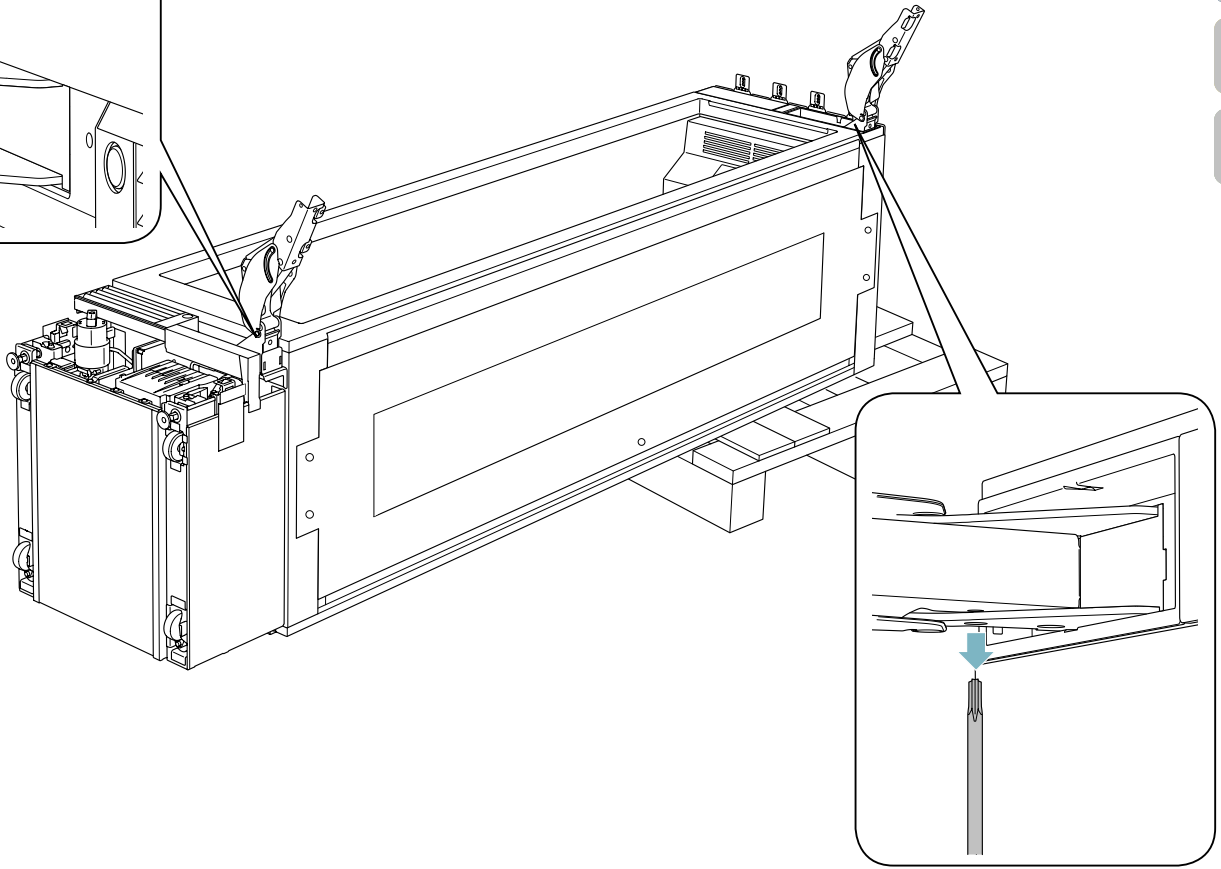
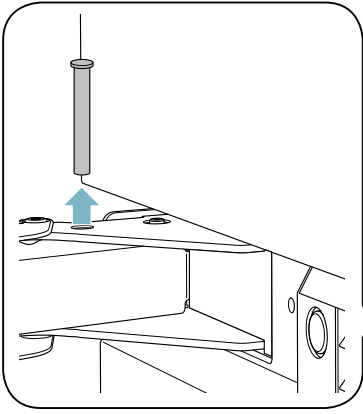


A

B

C

D

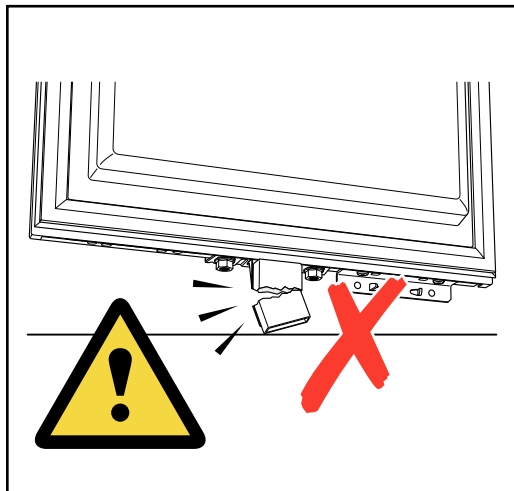
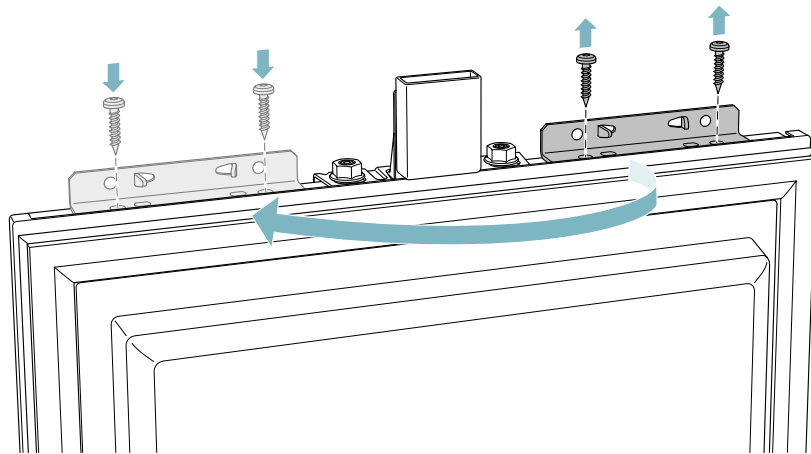
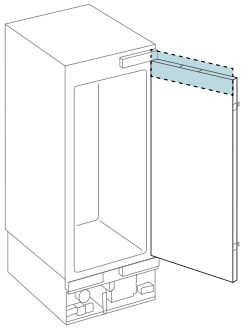
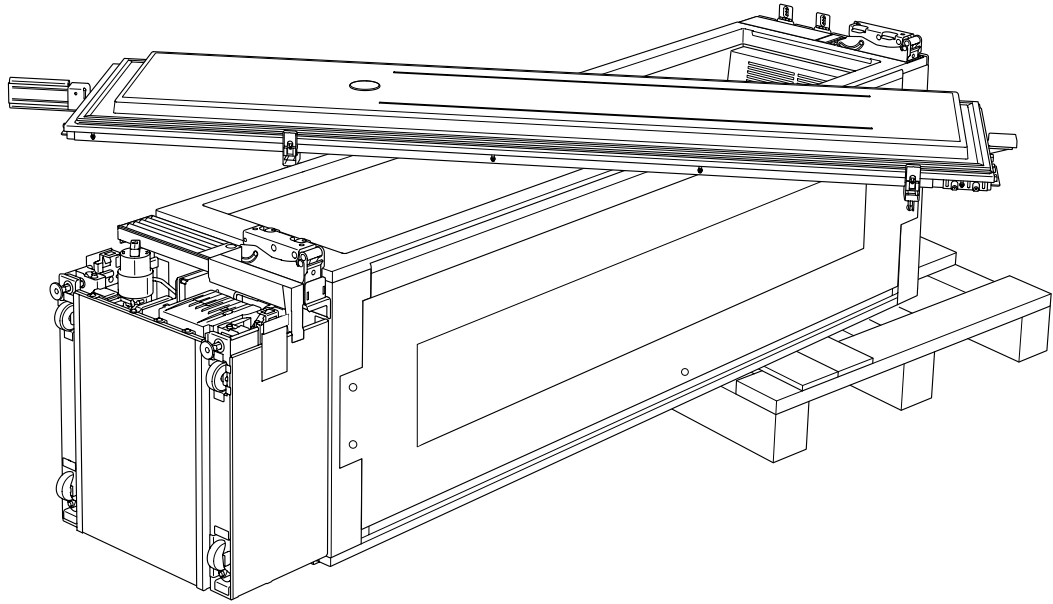


A

B

C

D

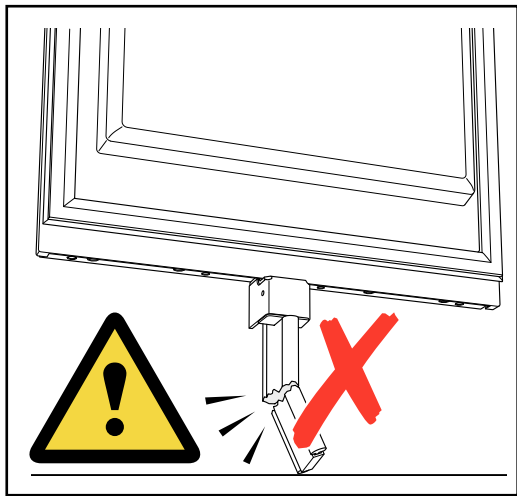
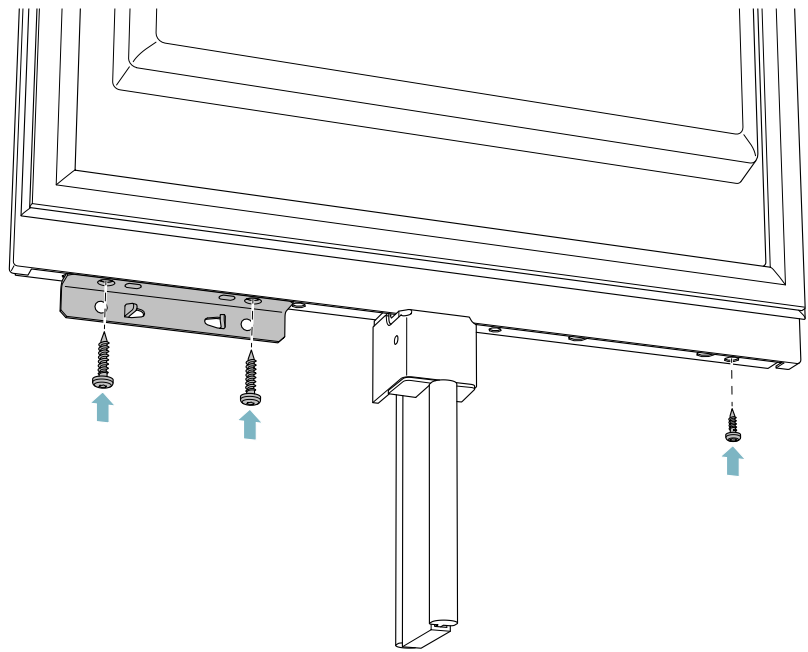
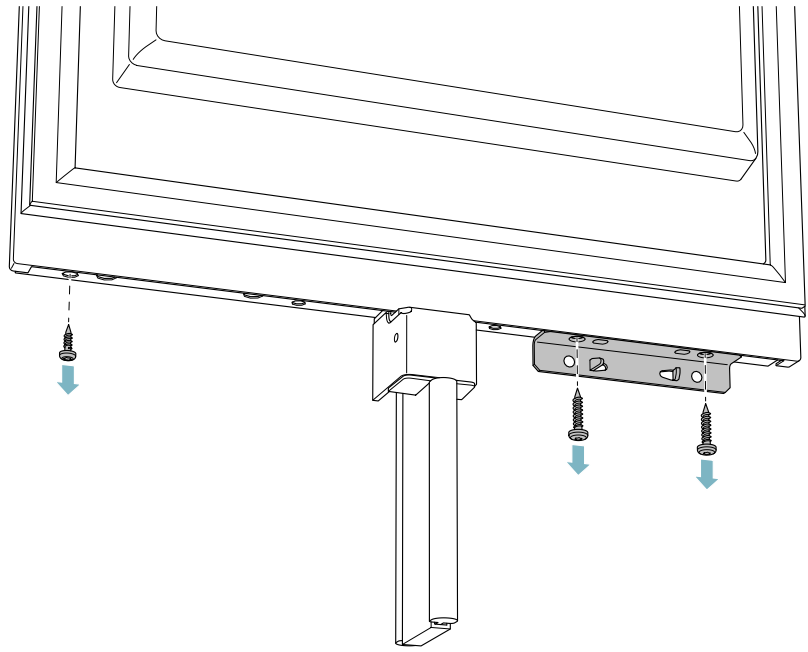
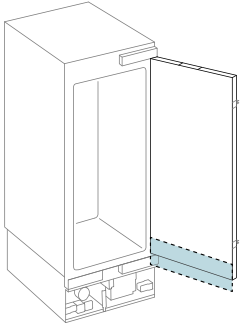


A

B

C

D

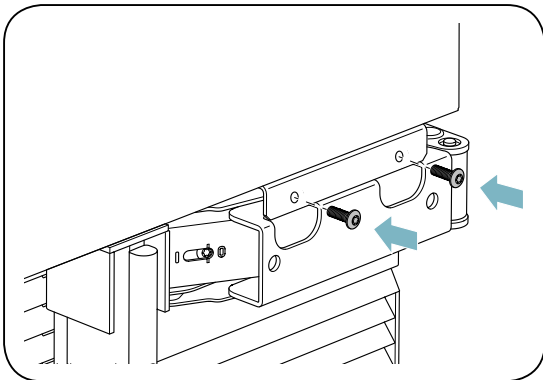
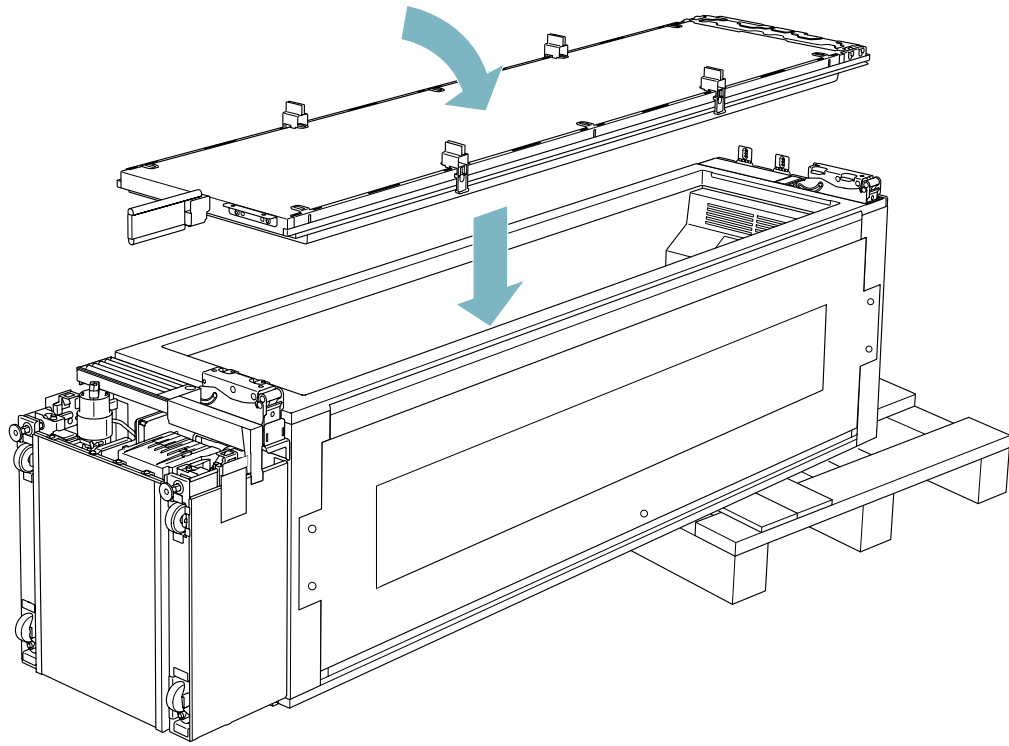


A

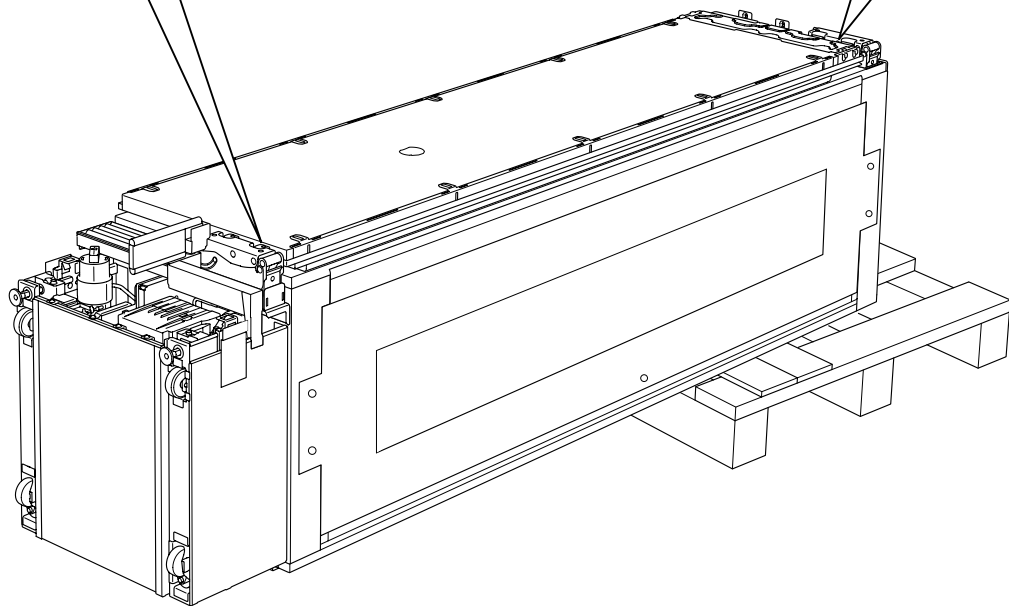
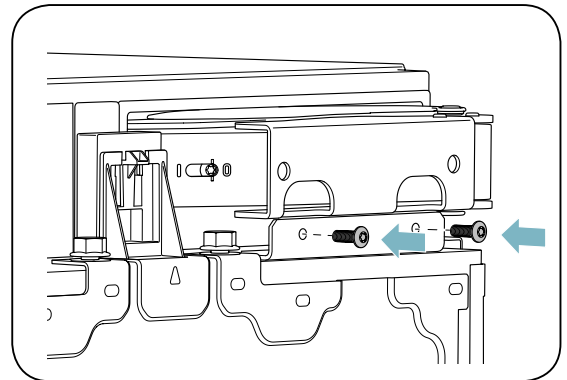
B

C

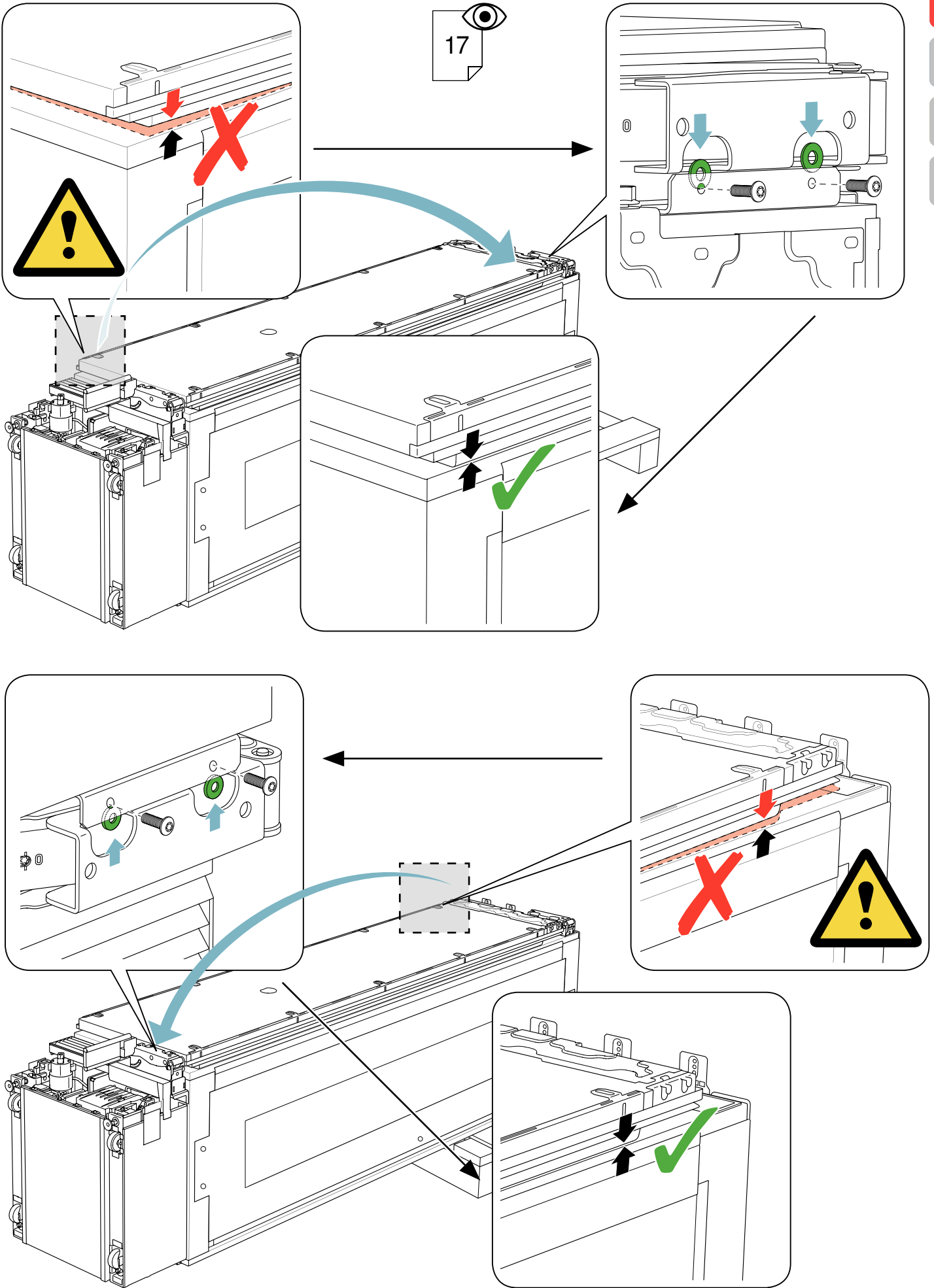
D



17



A
B
C
D

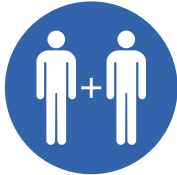
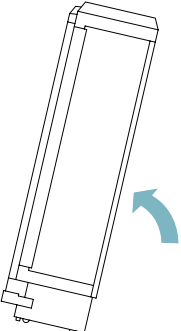
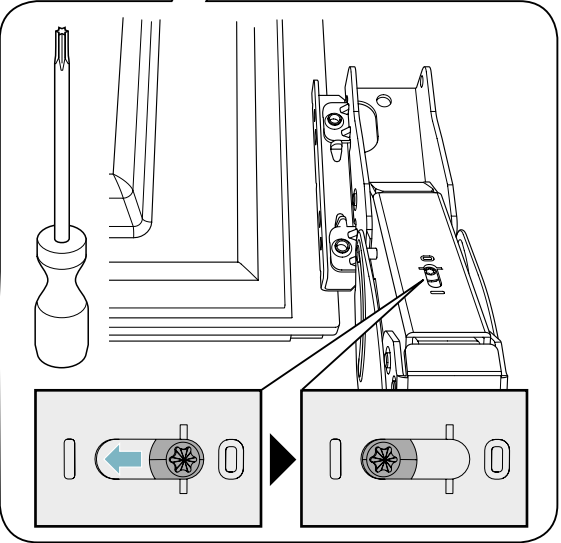
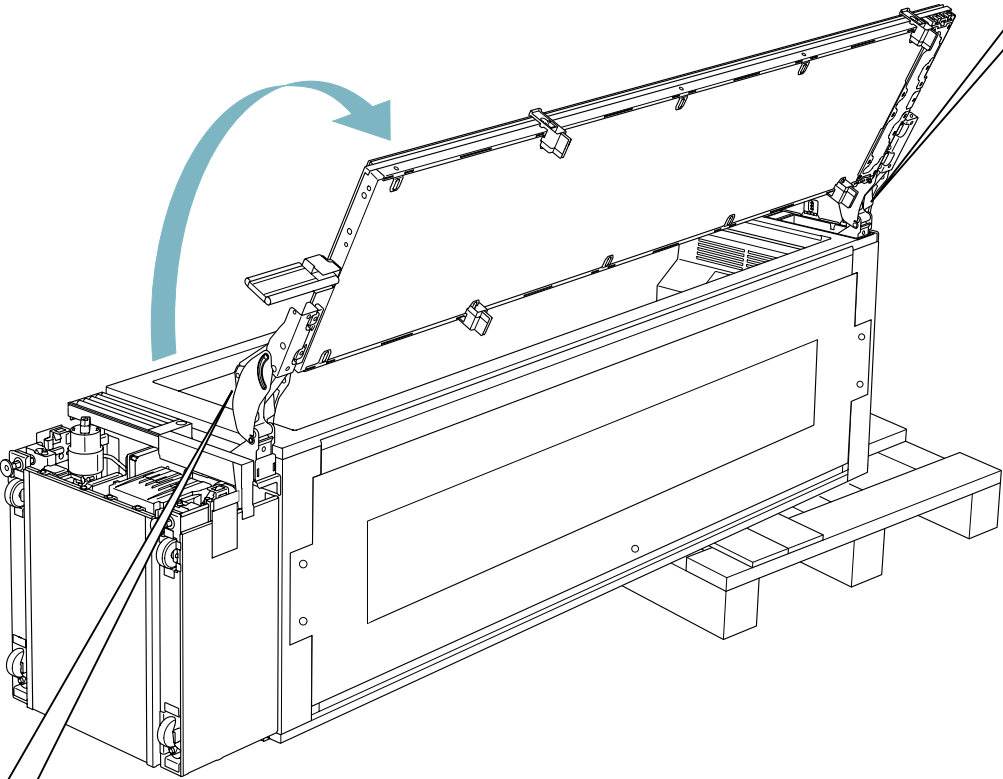
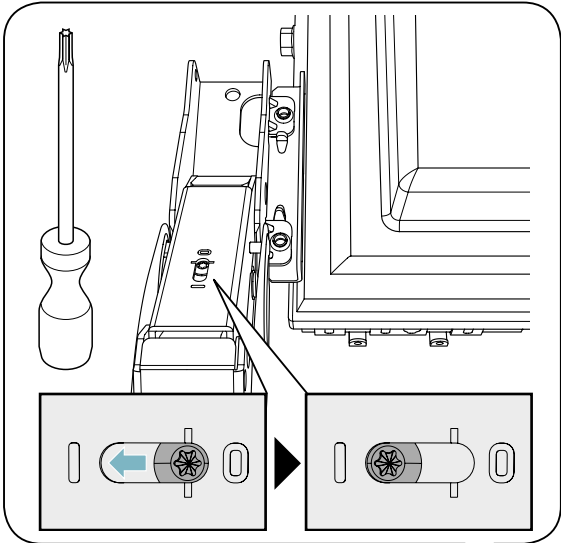


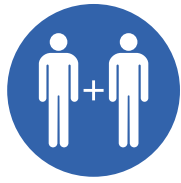
A

B

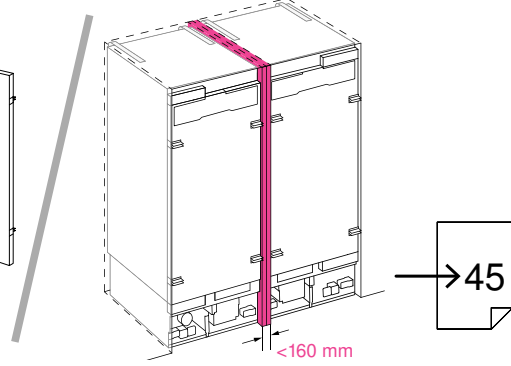
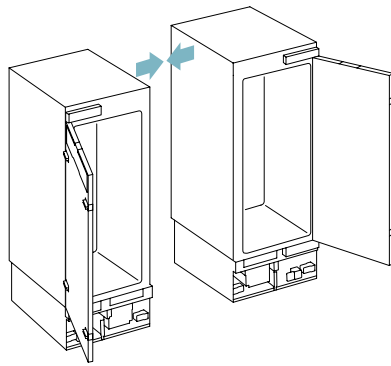
C

D





39

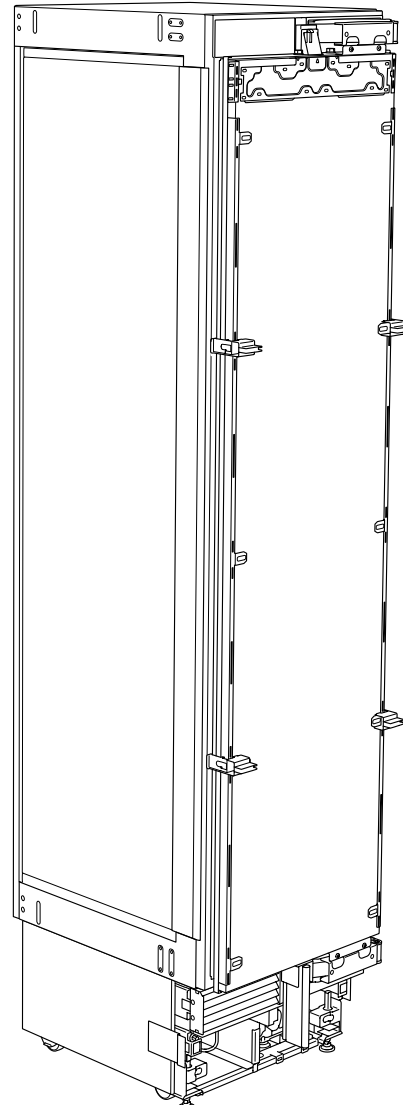
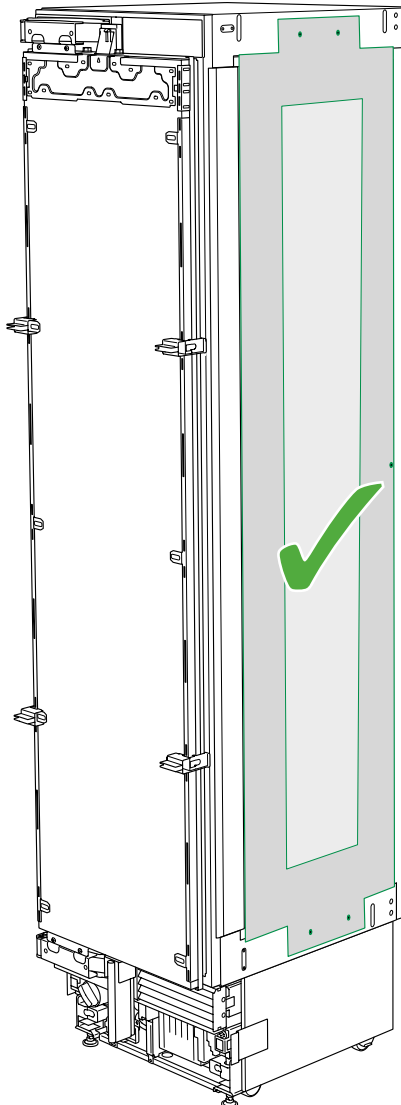
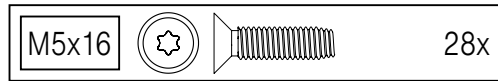
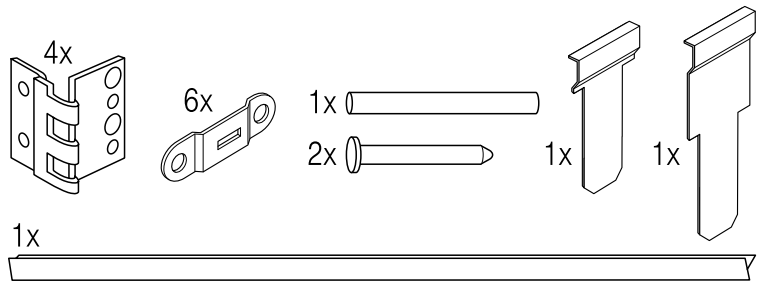
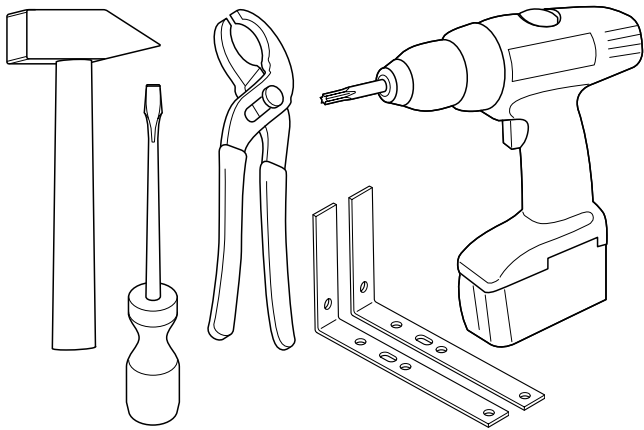


A

B

C

D





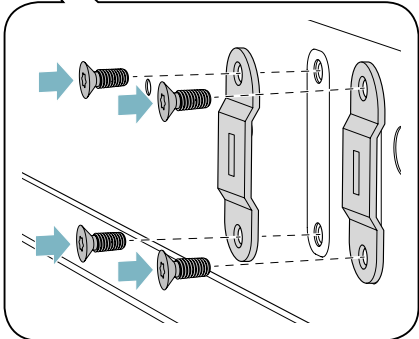
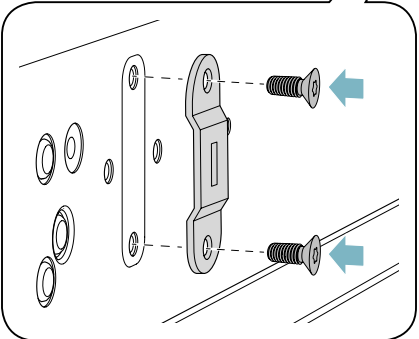
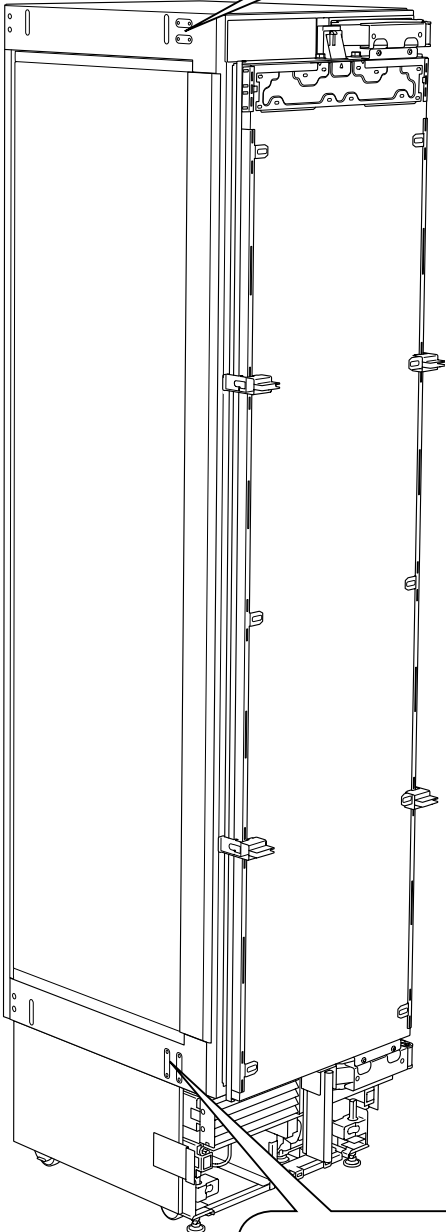
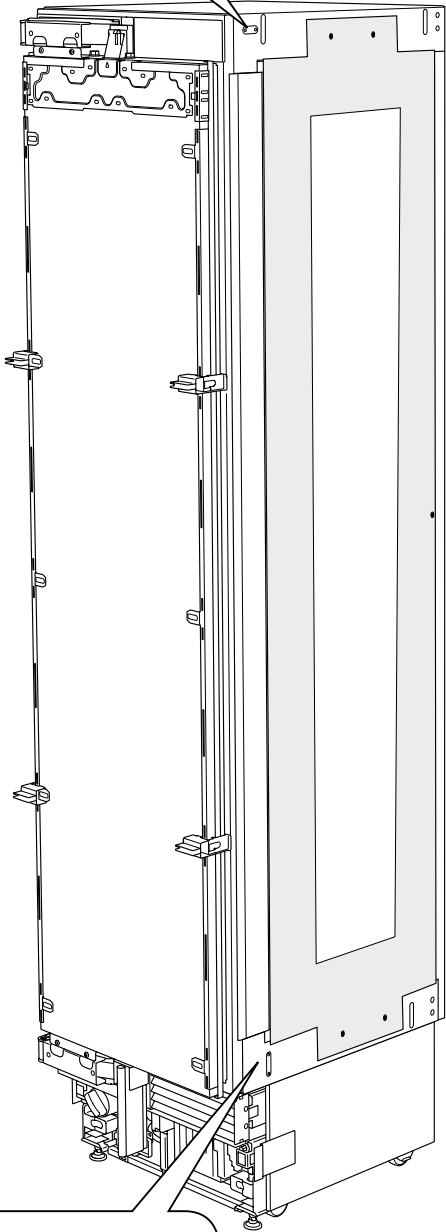
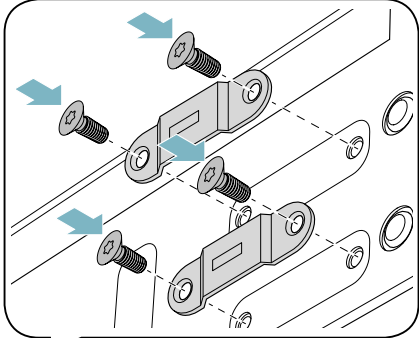
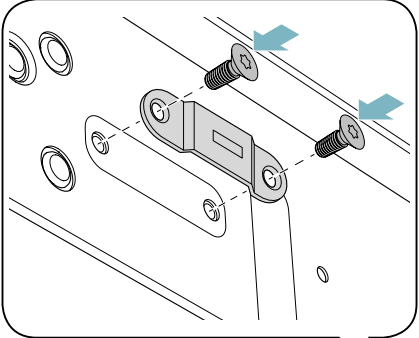
A



B

C

D

M5x16   12x



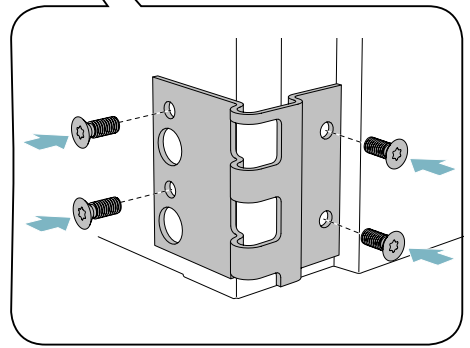
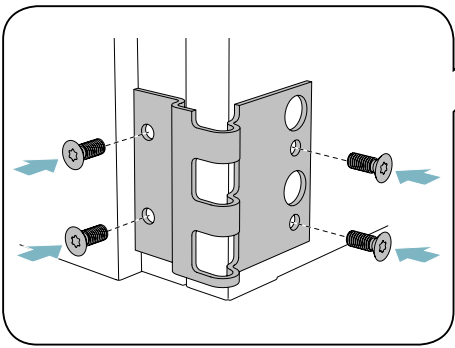
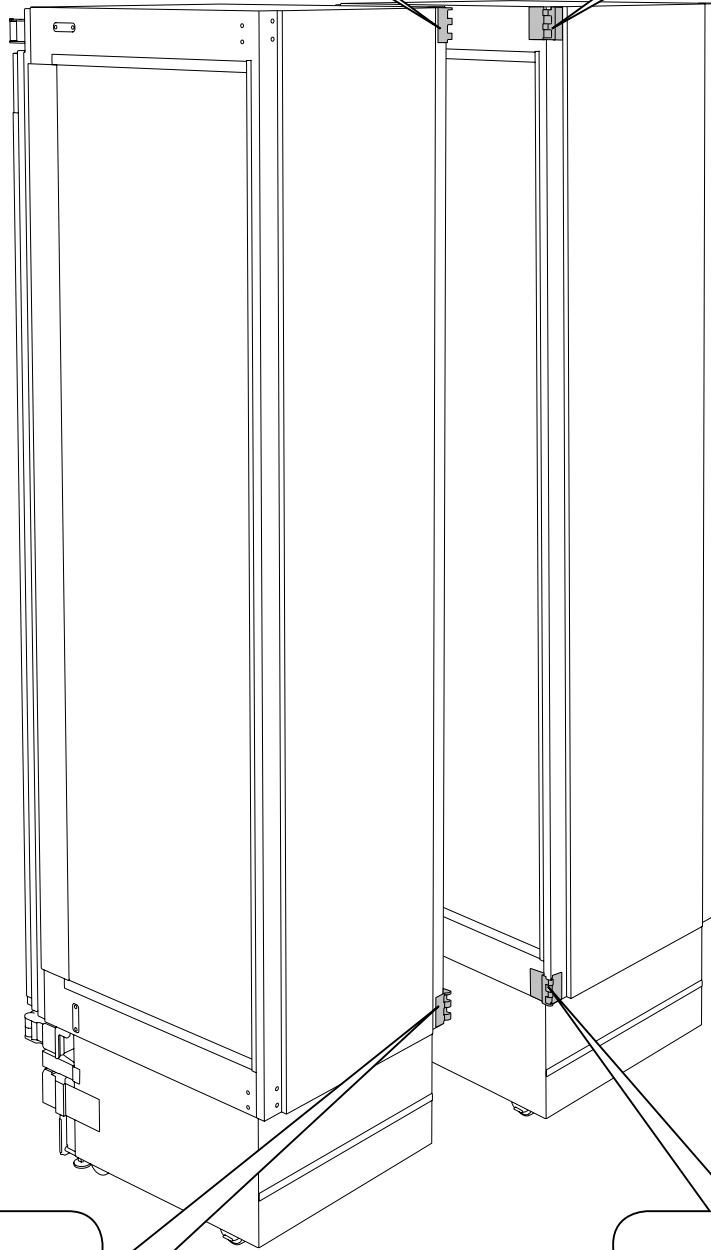
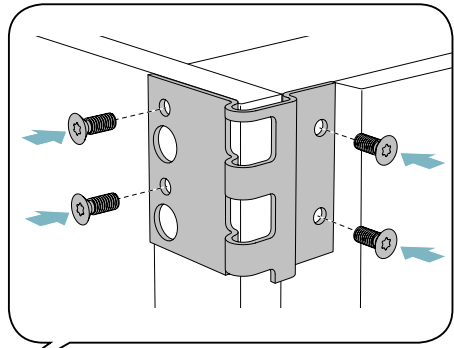
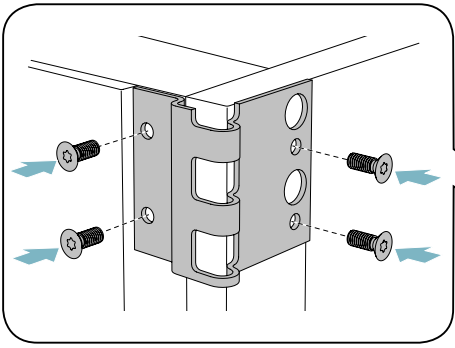
M5x16   16x

A

B

C

D

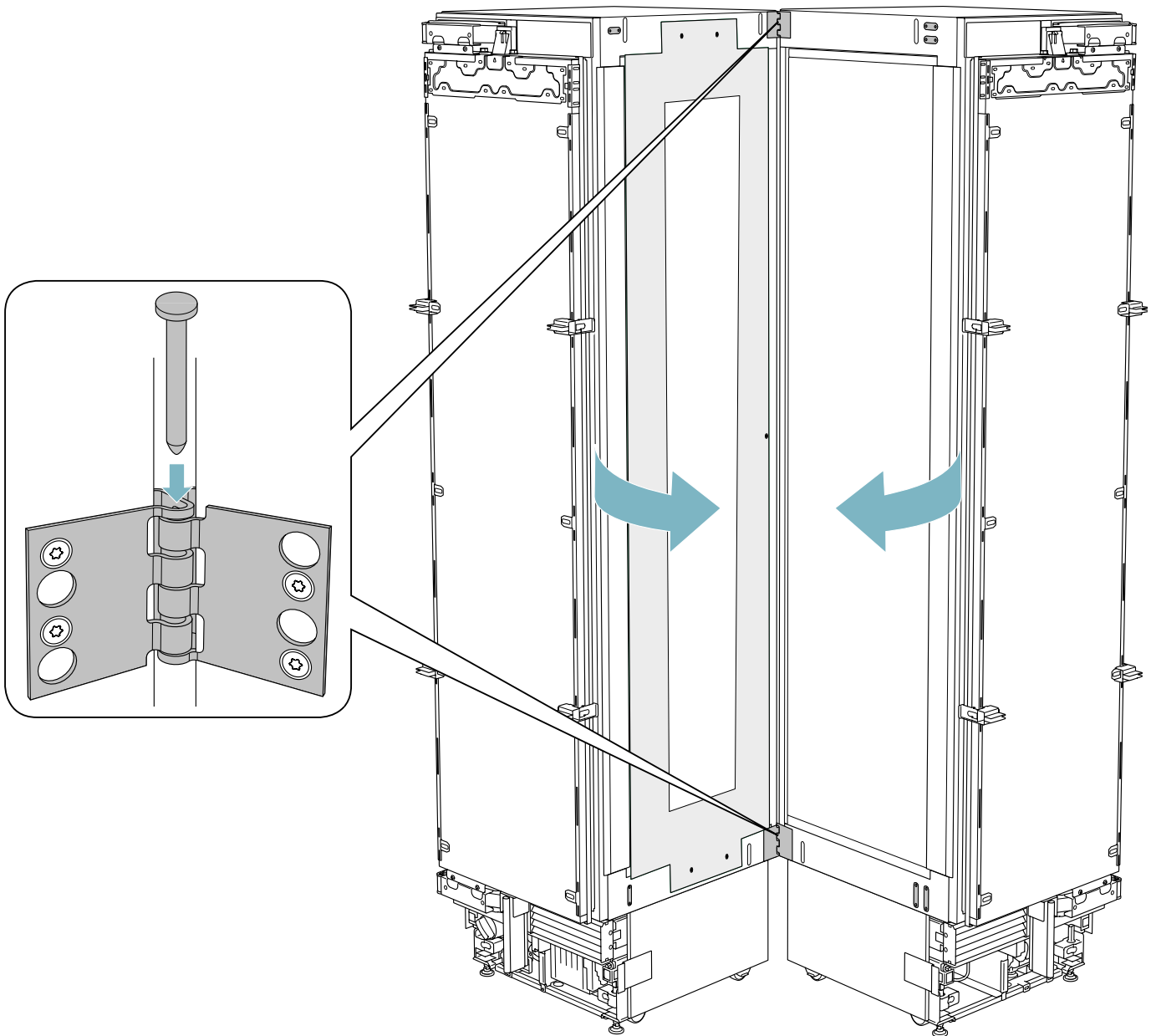


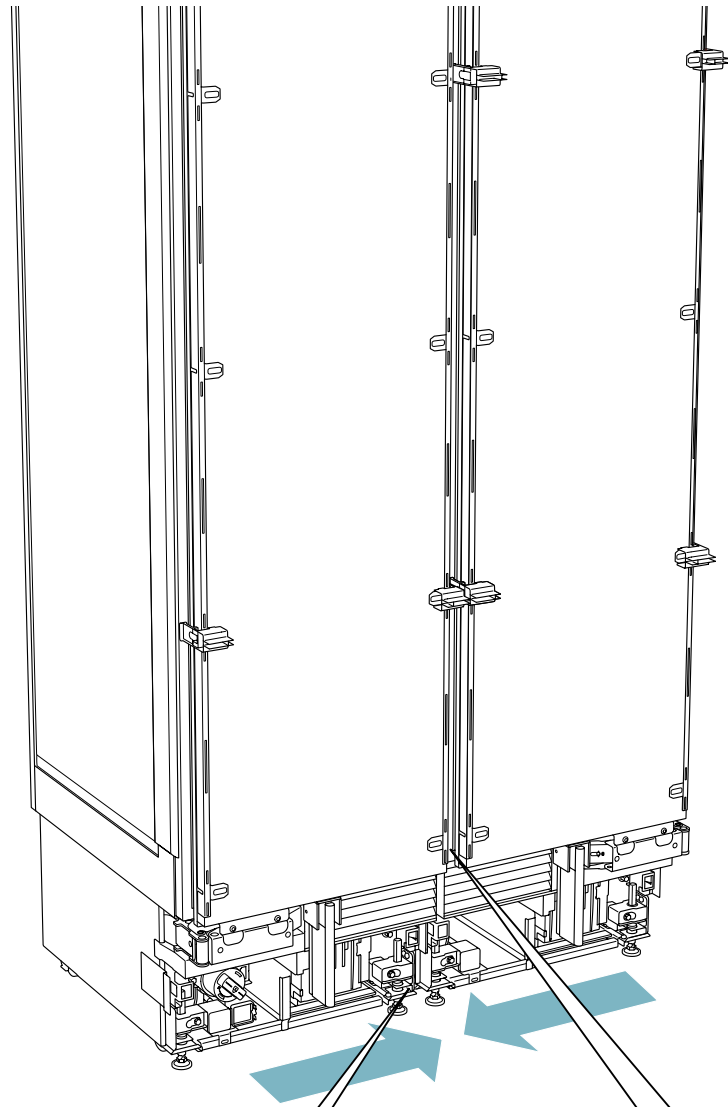
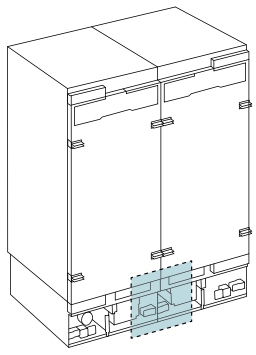
A

B

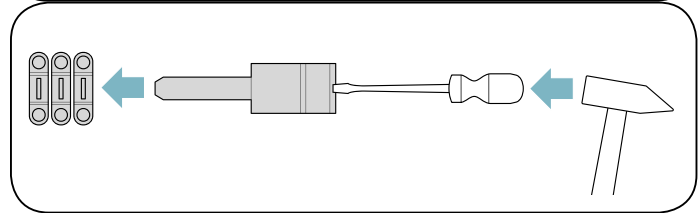
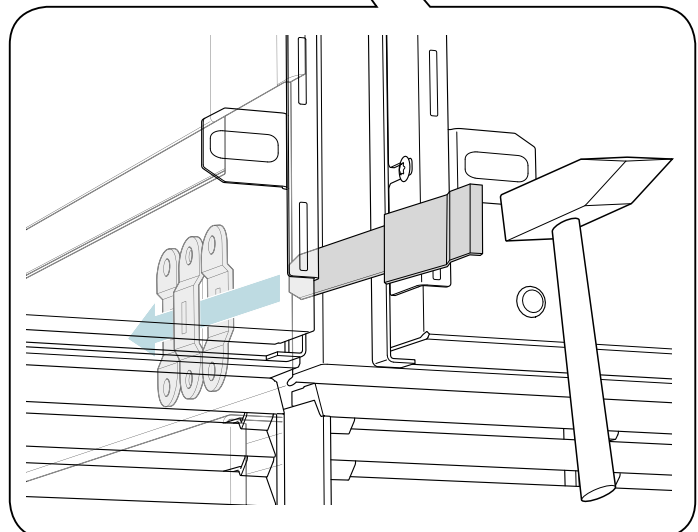
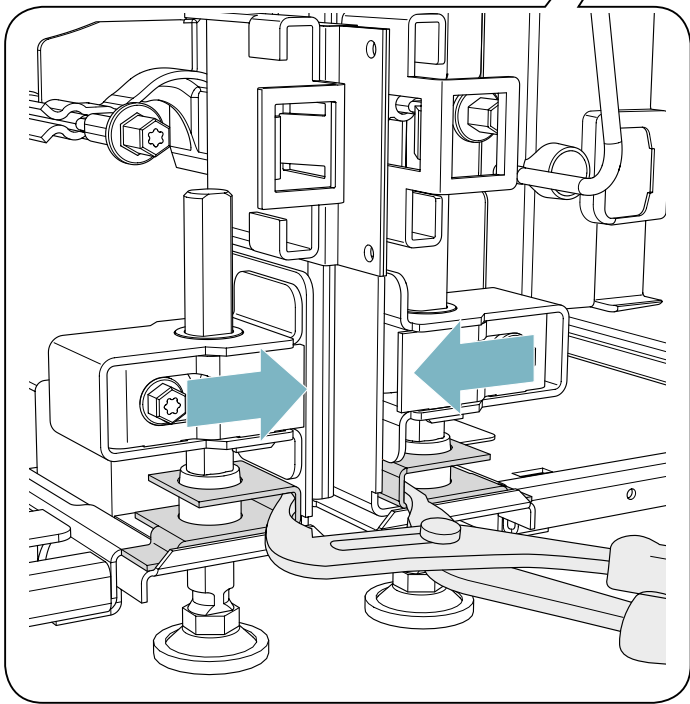
C

D





- A
- B
- C
- D

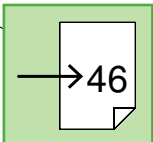
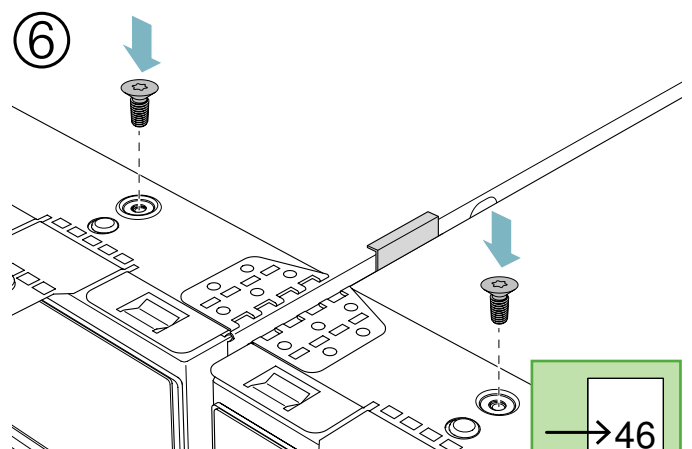
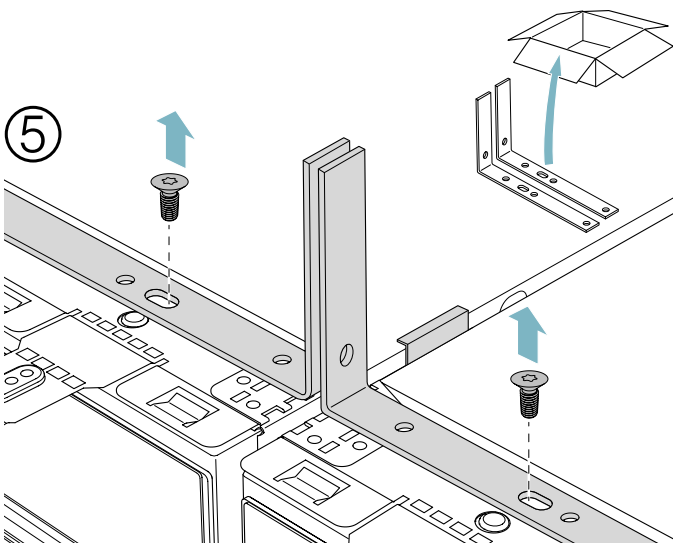
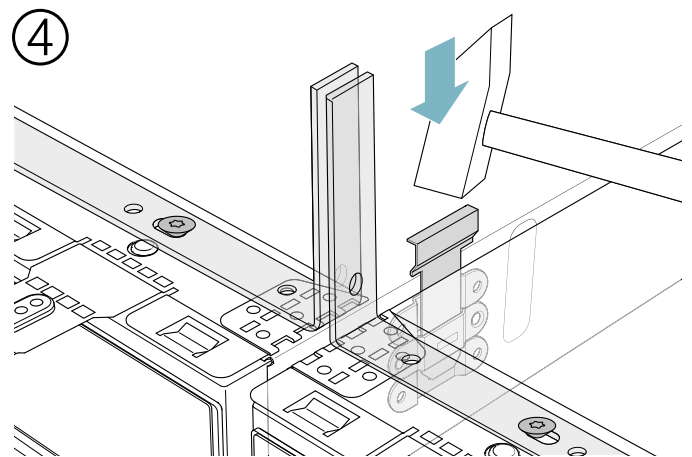
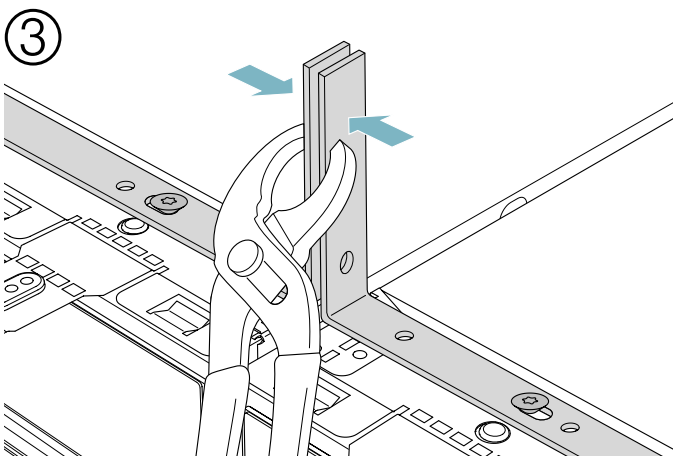
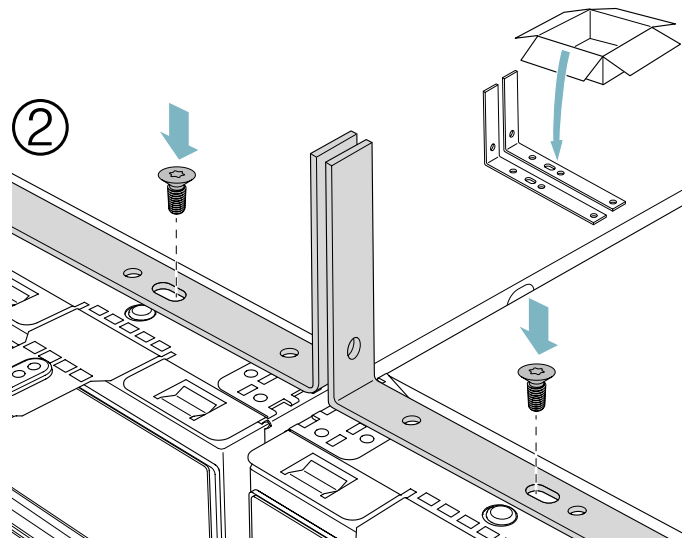
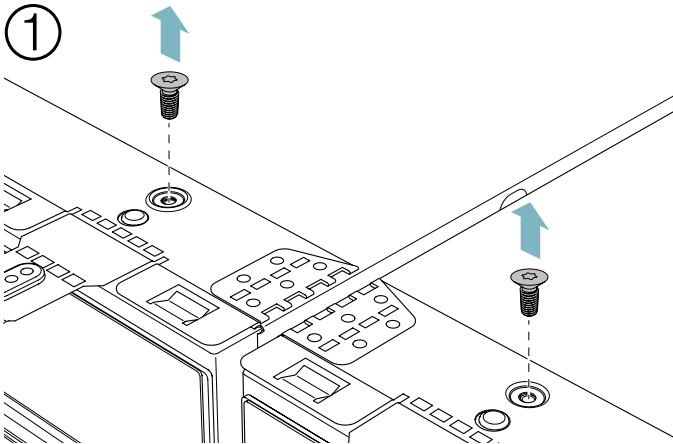
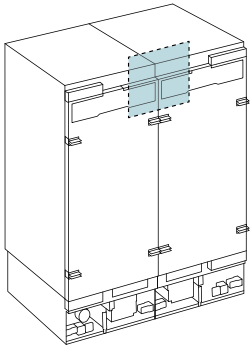


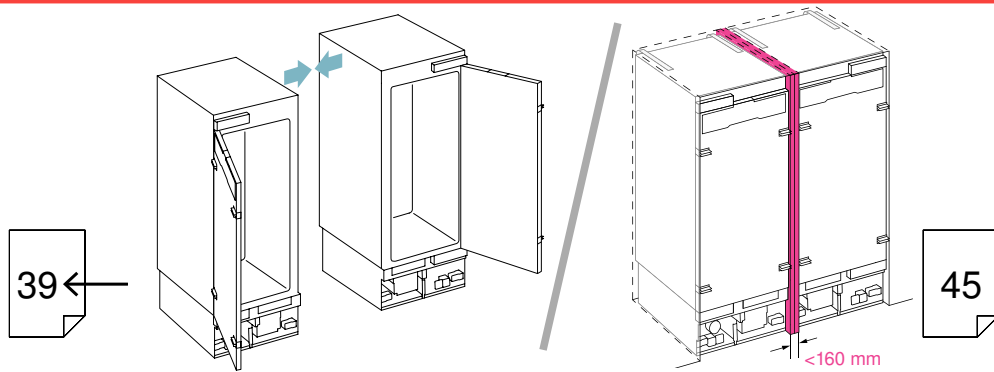
A

B

C

D



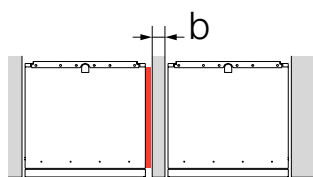


A

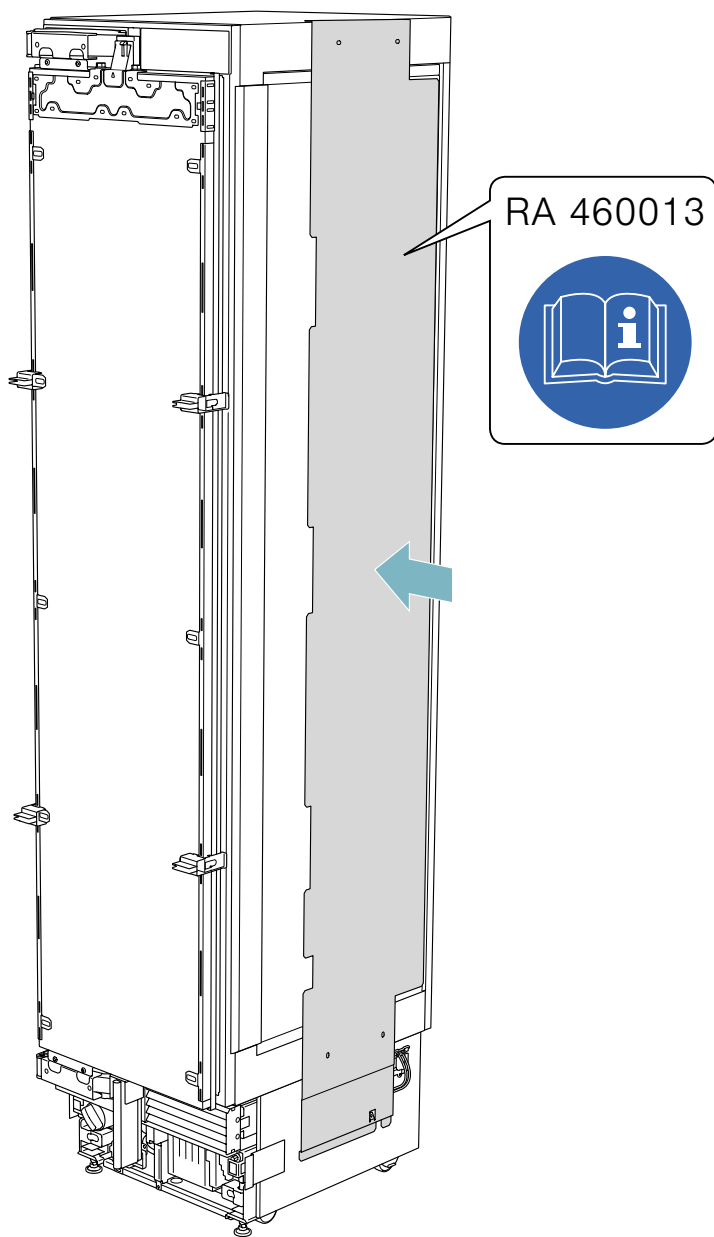
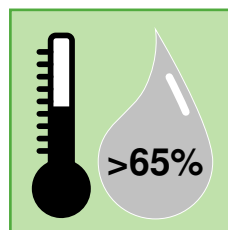
B

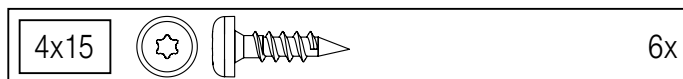
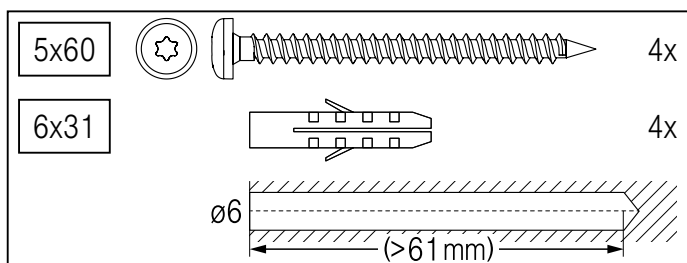
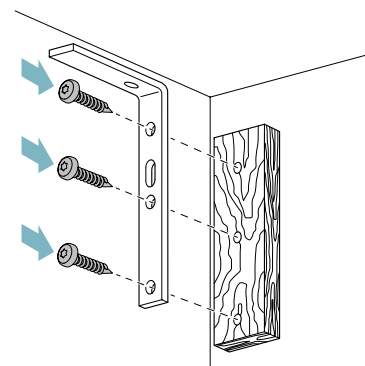
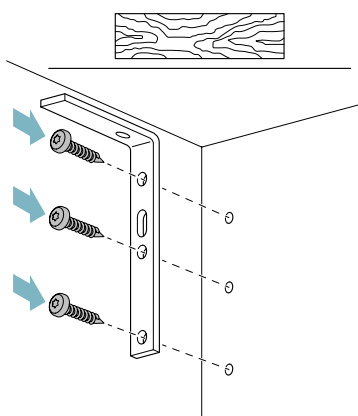
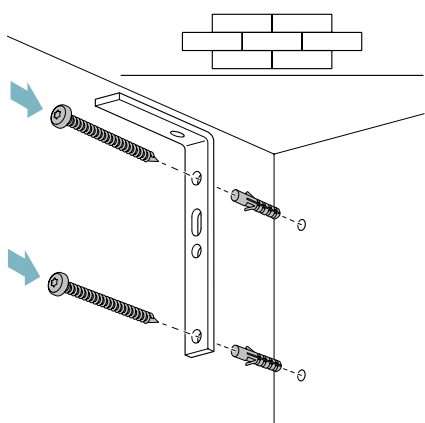
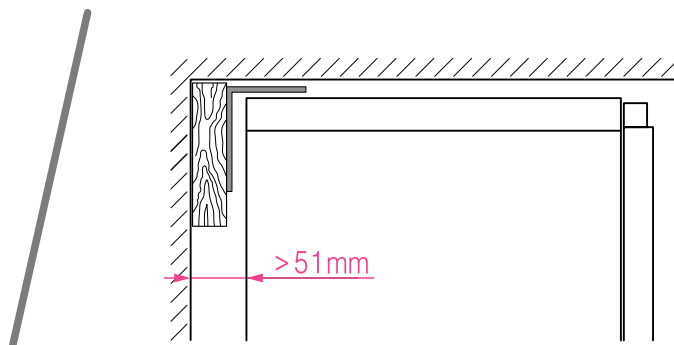
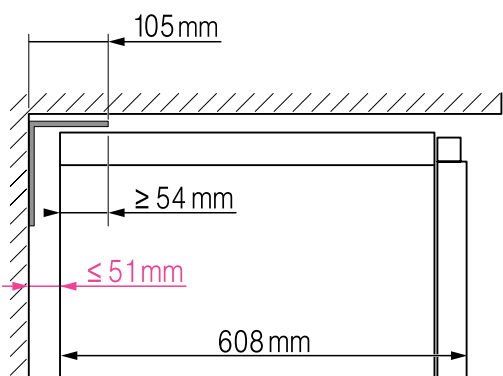
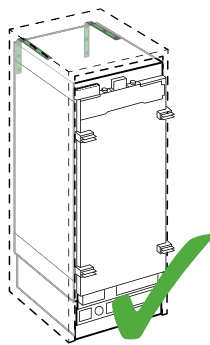
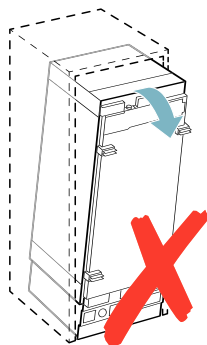
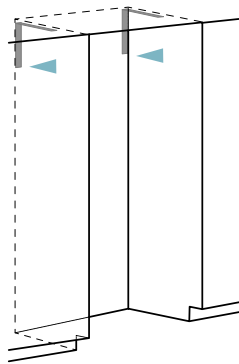
C

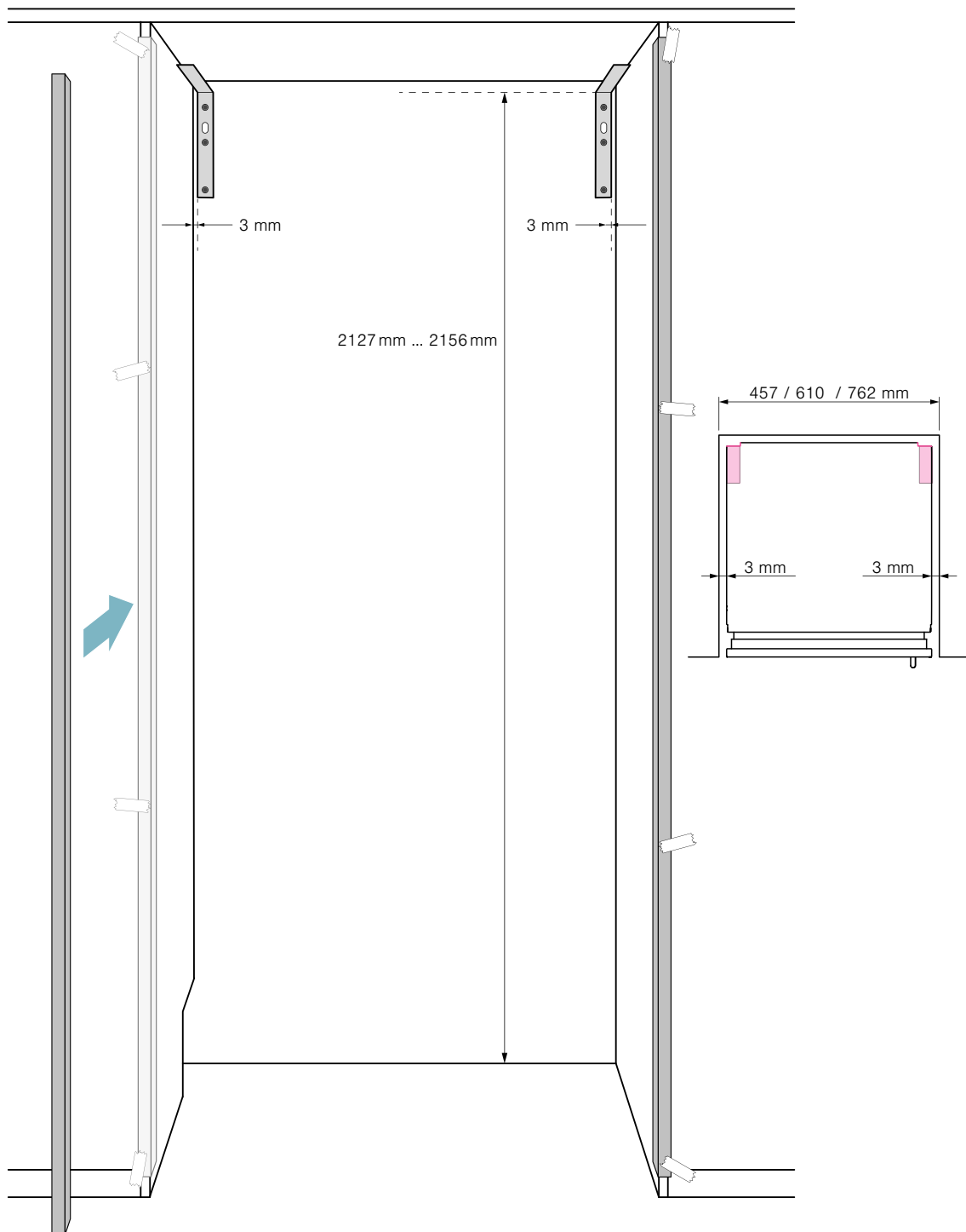
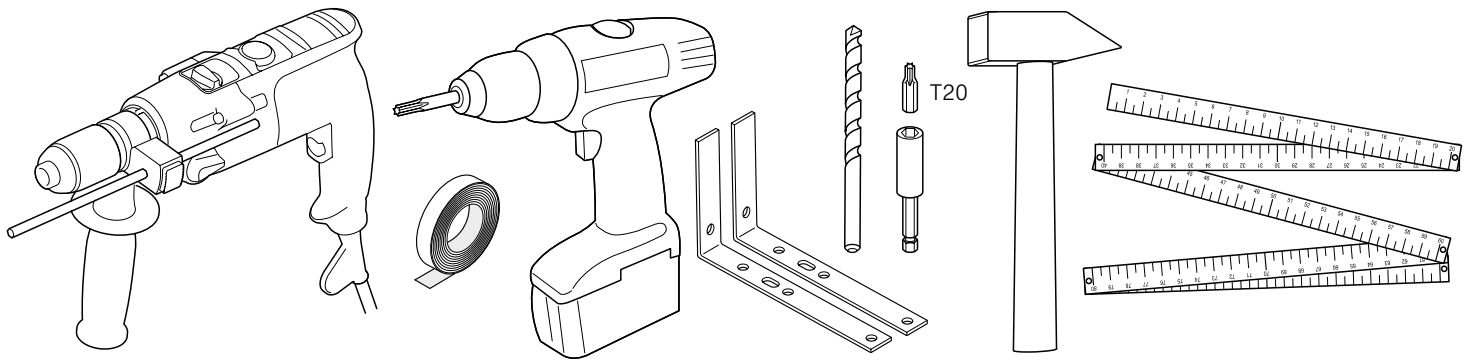
D



$16 \text{ mm} \leq b < 160 \text{ mm}$





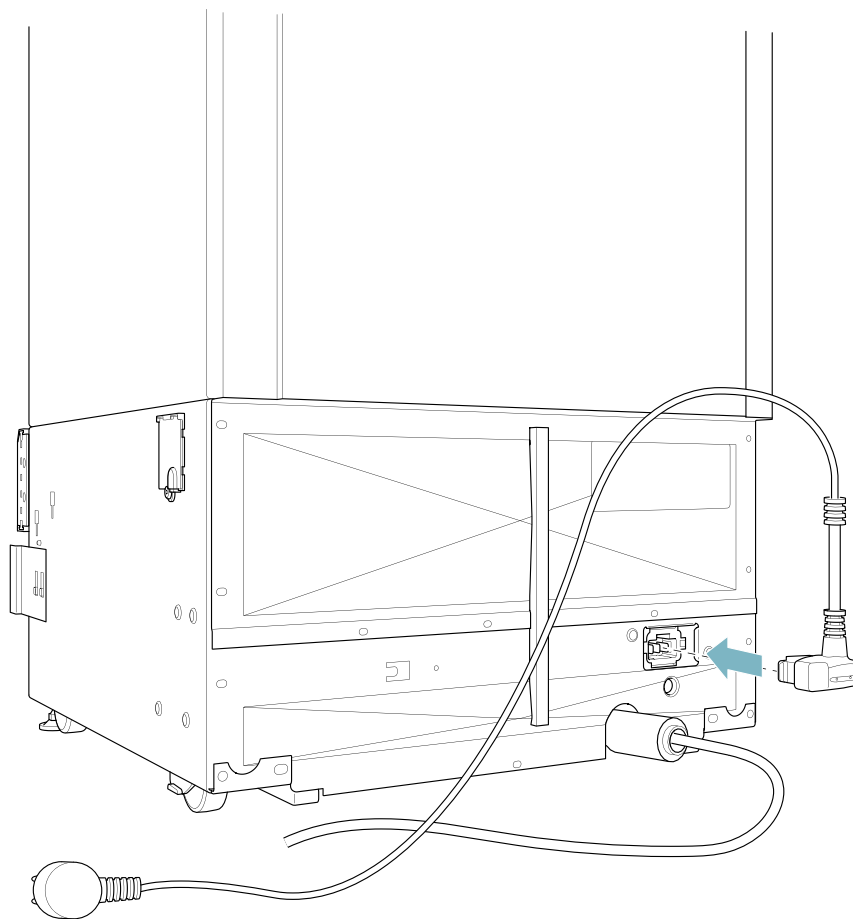
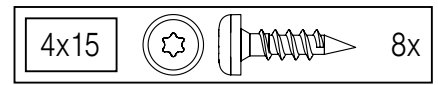
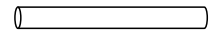
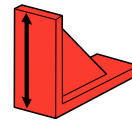
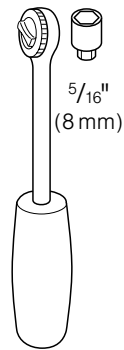
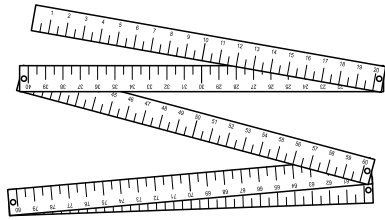
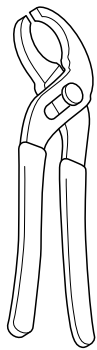
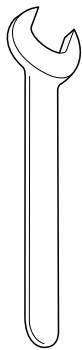
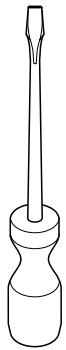
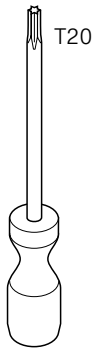
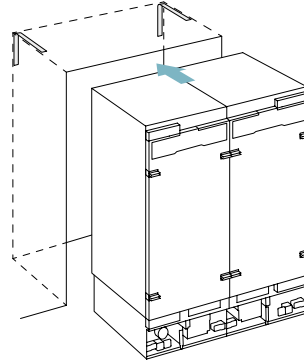
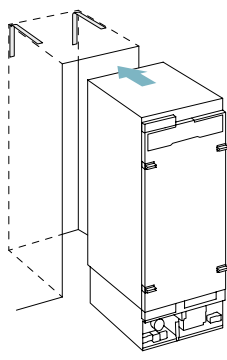
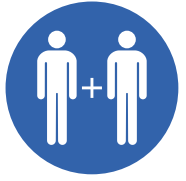


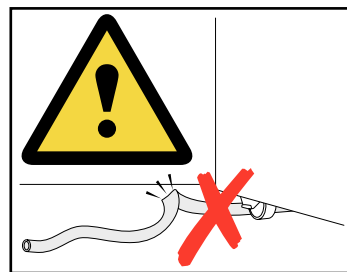
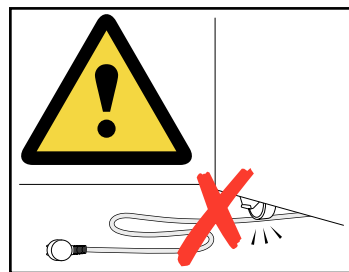
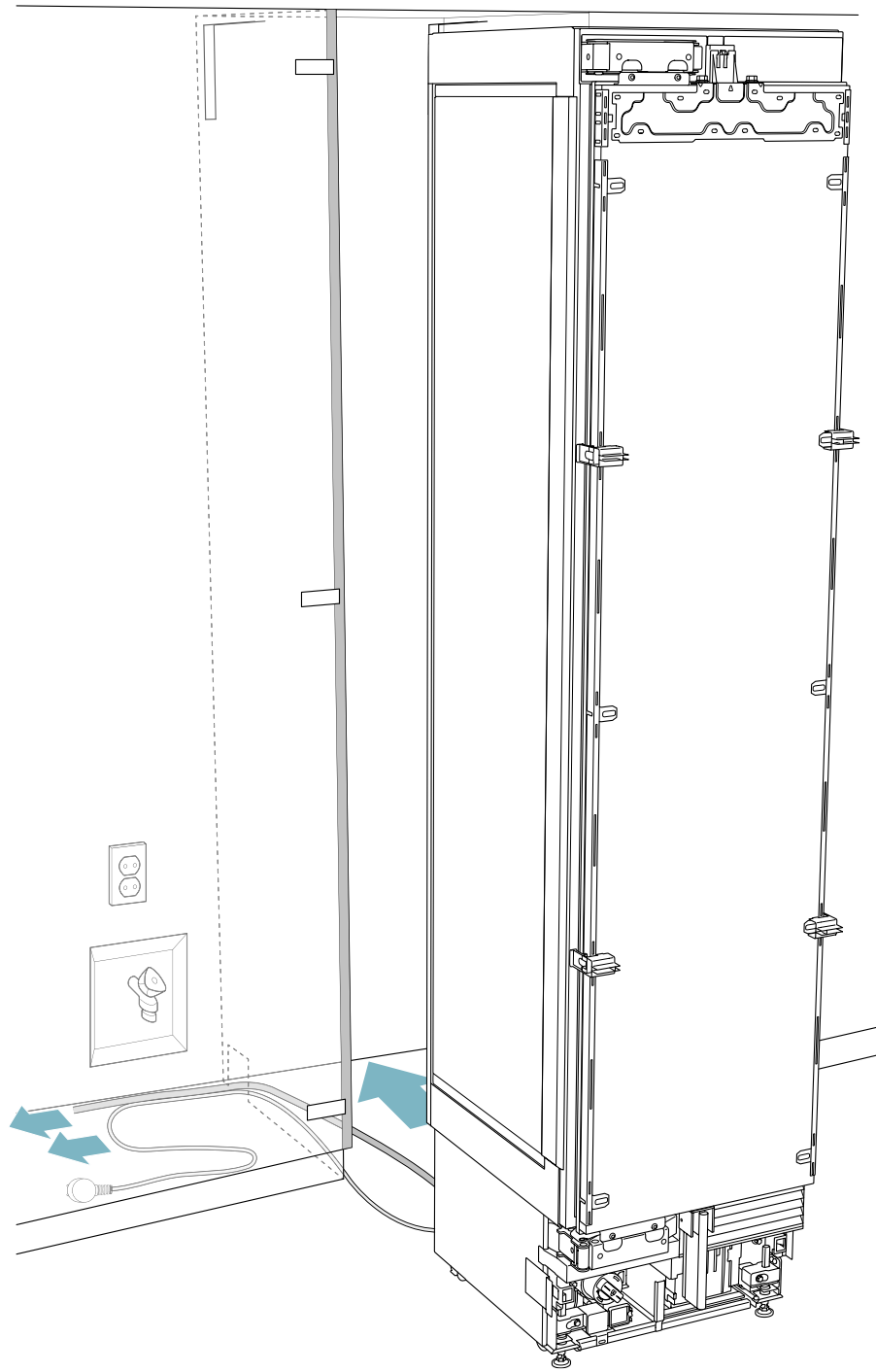
A

B

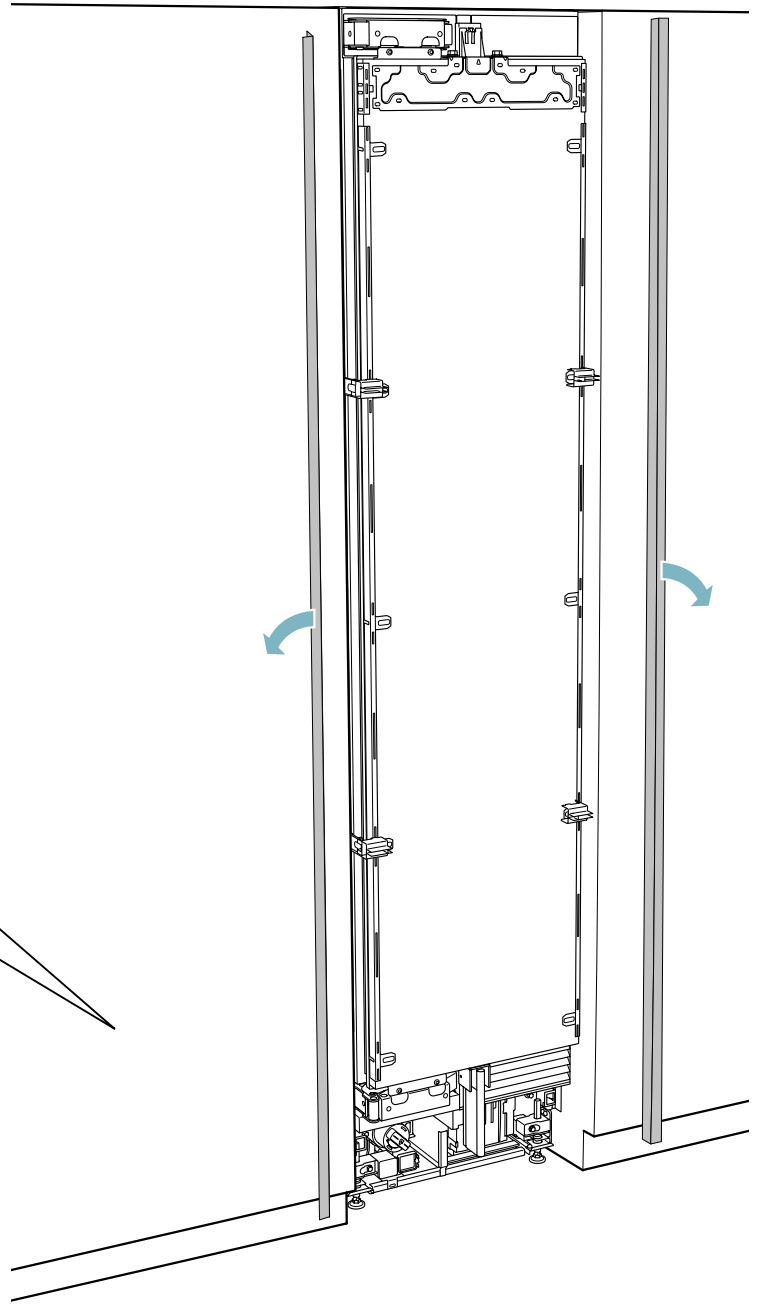
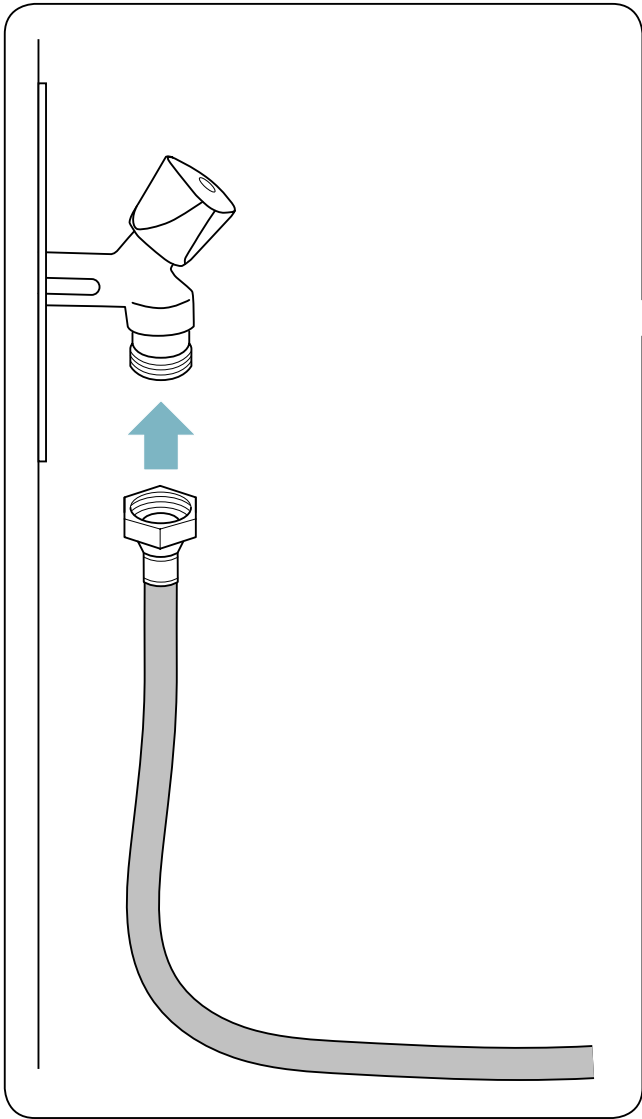
C

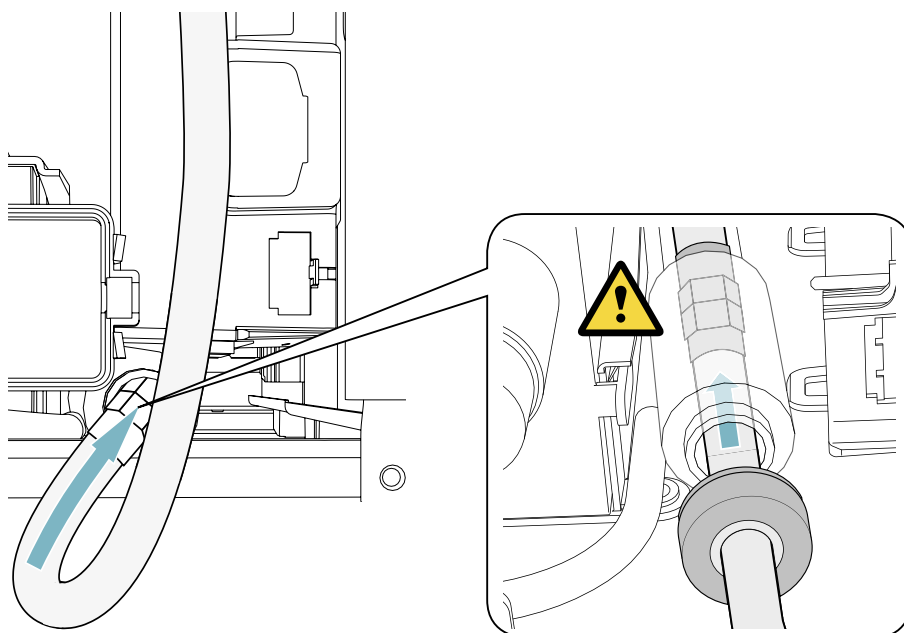
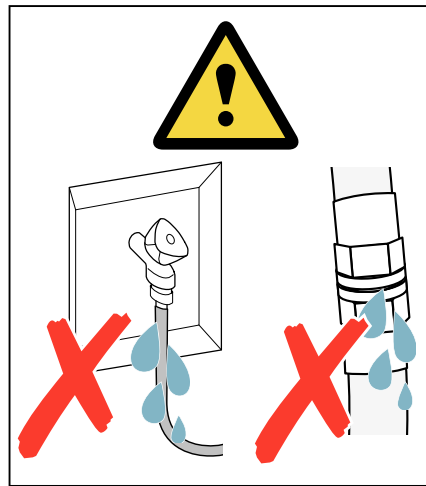
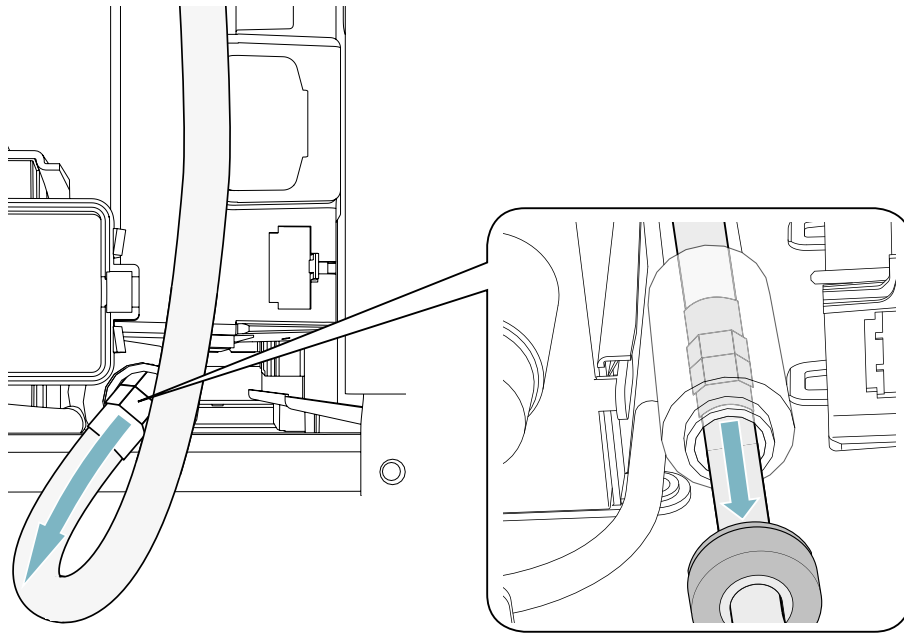
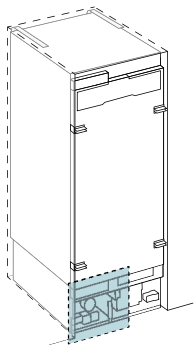
D



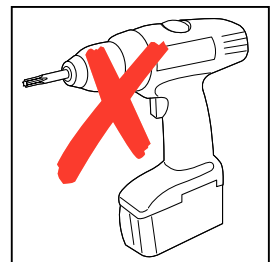
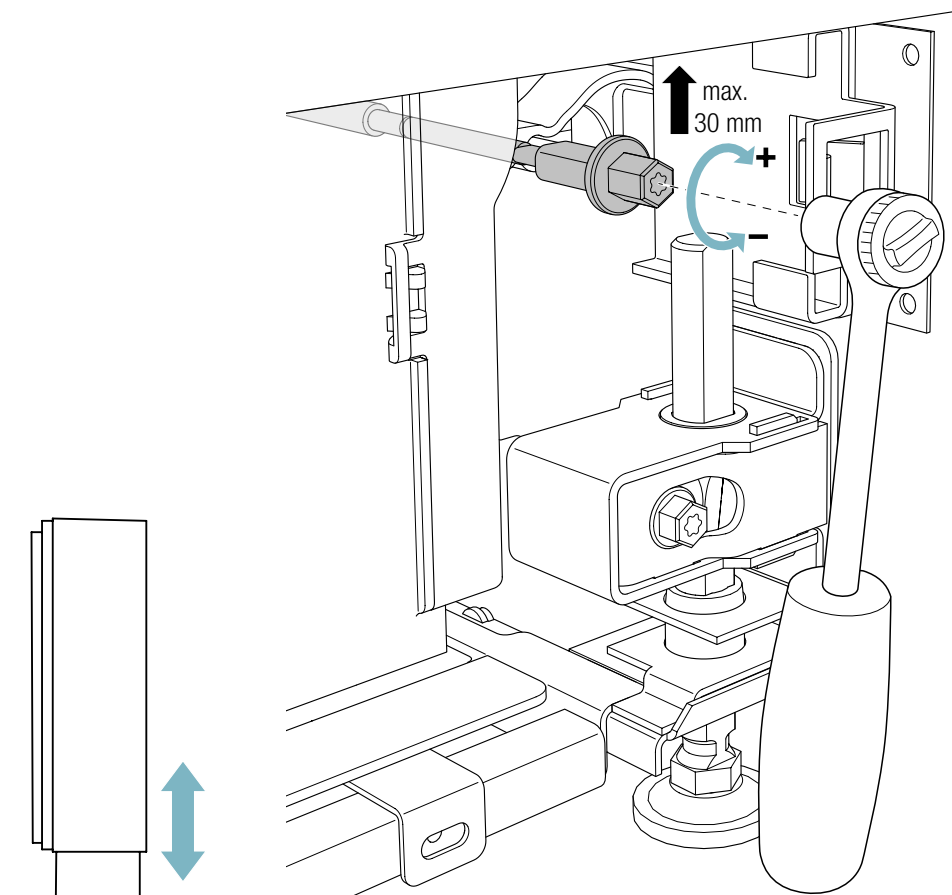
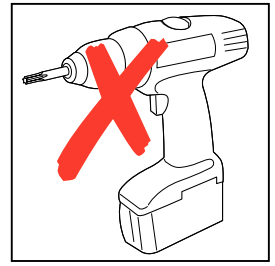
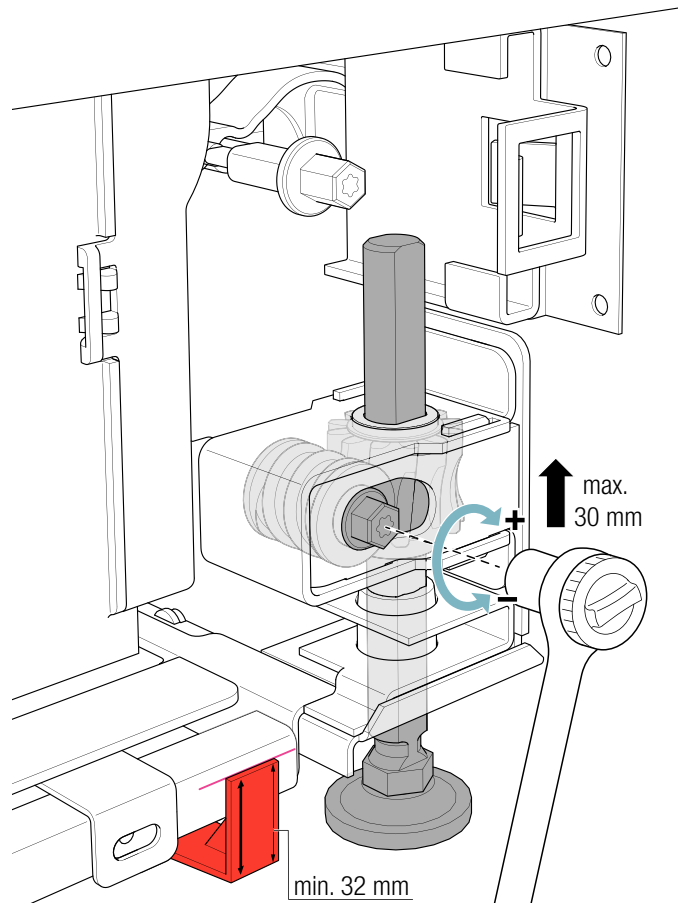
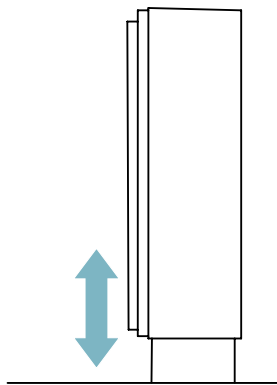
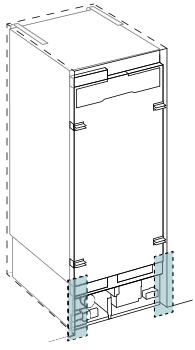


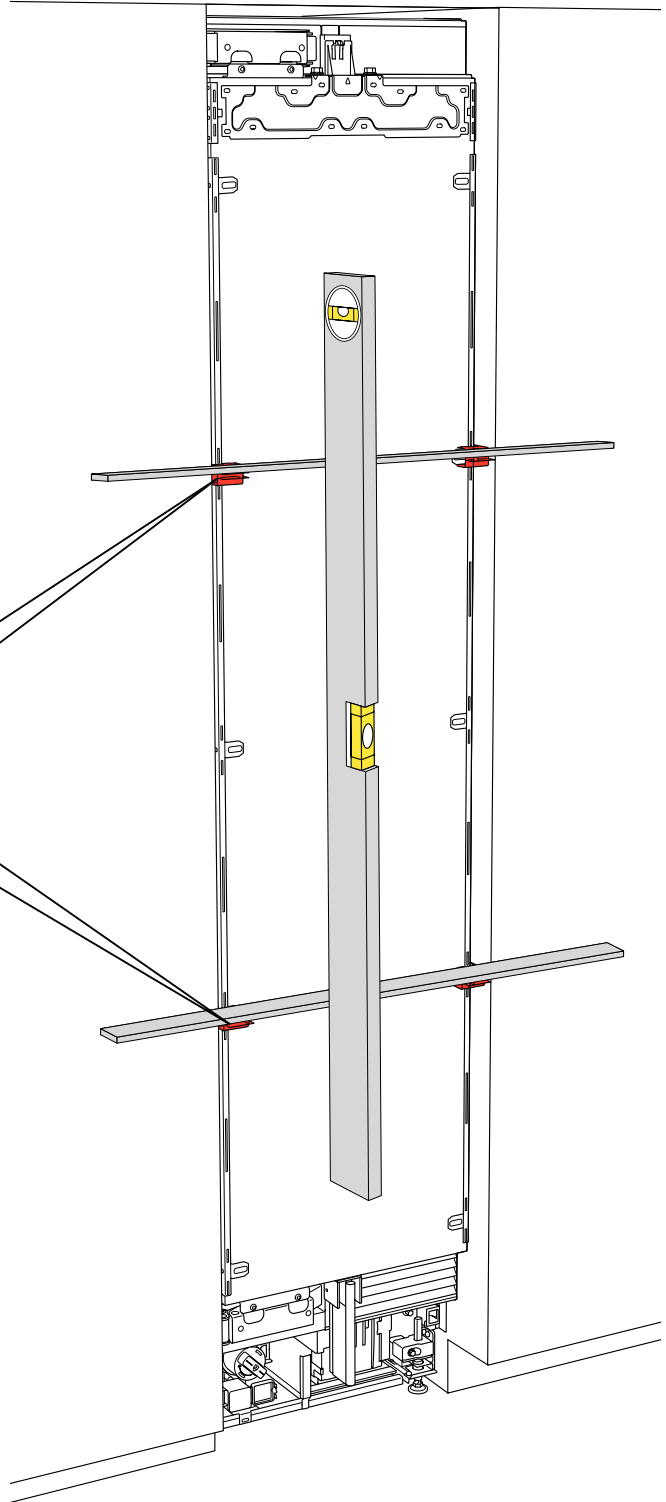
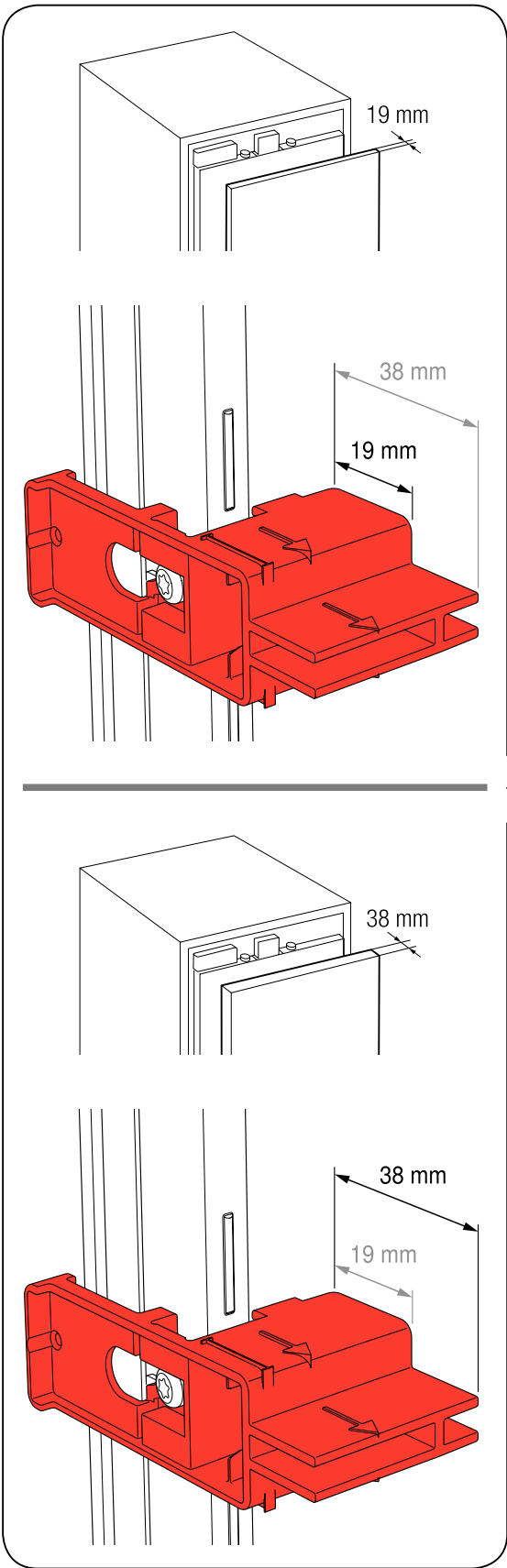
- A
- B**
- C
- D





A
B
C
D




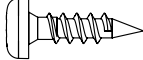


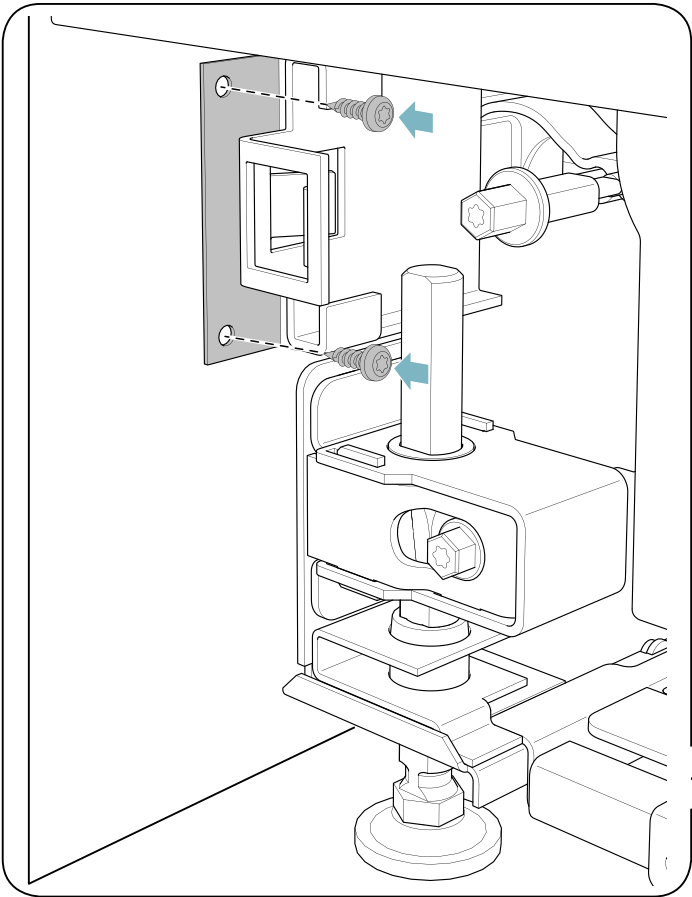
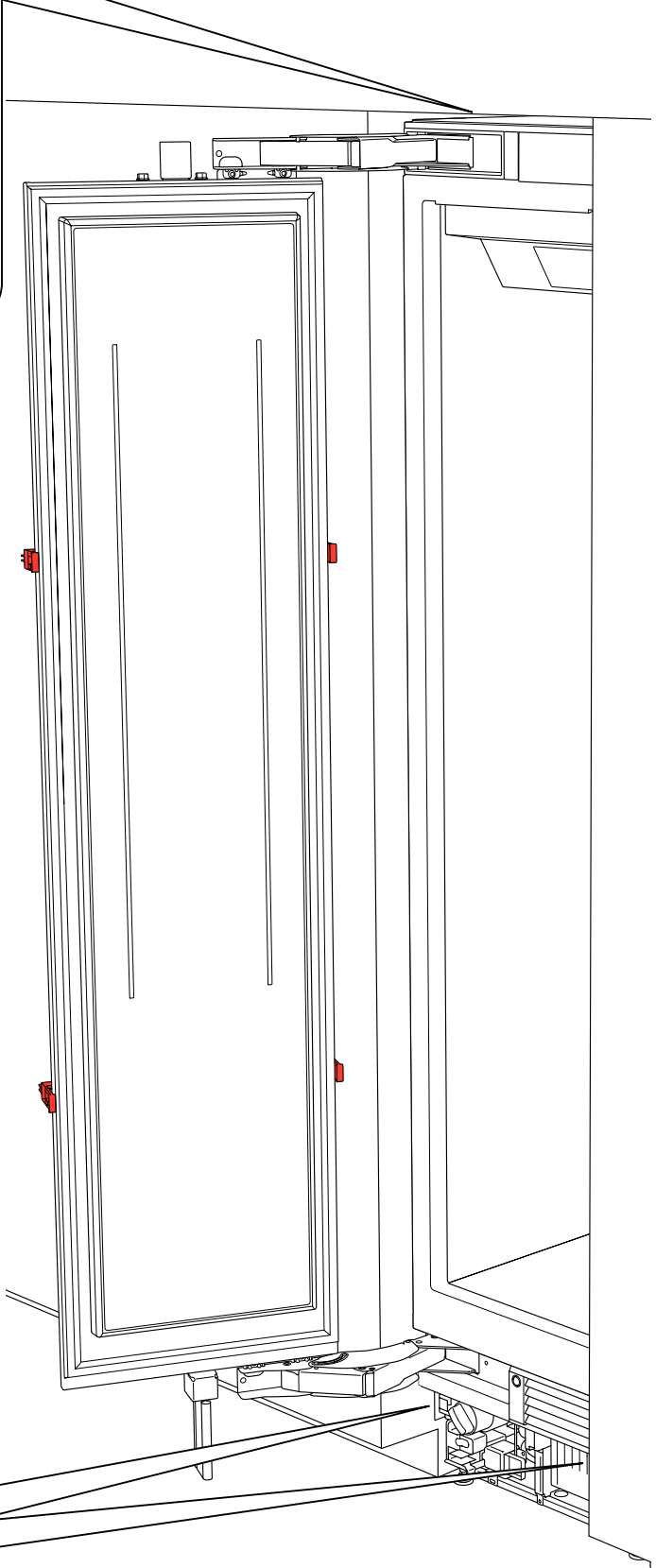
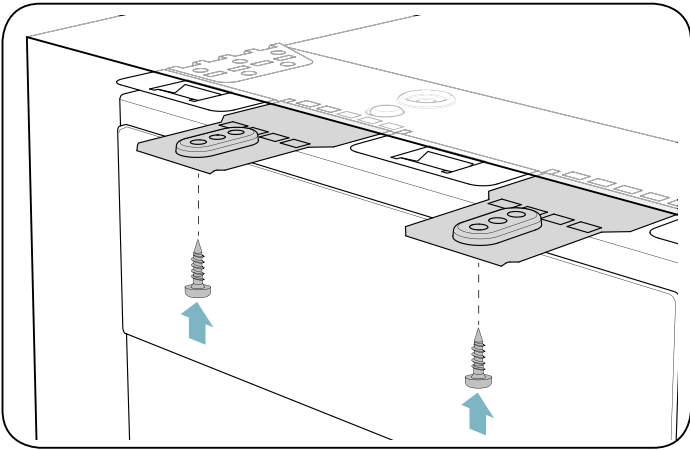
A

B

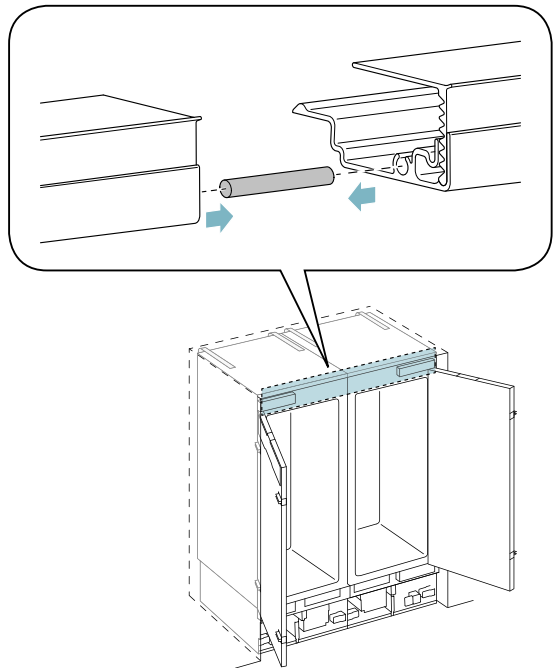
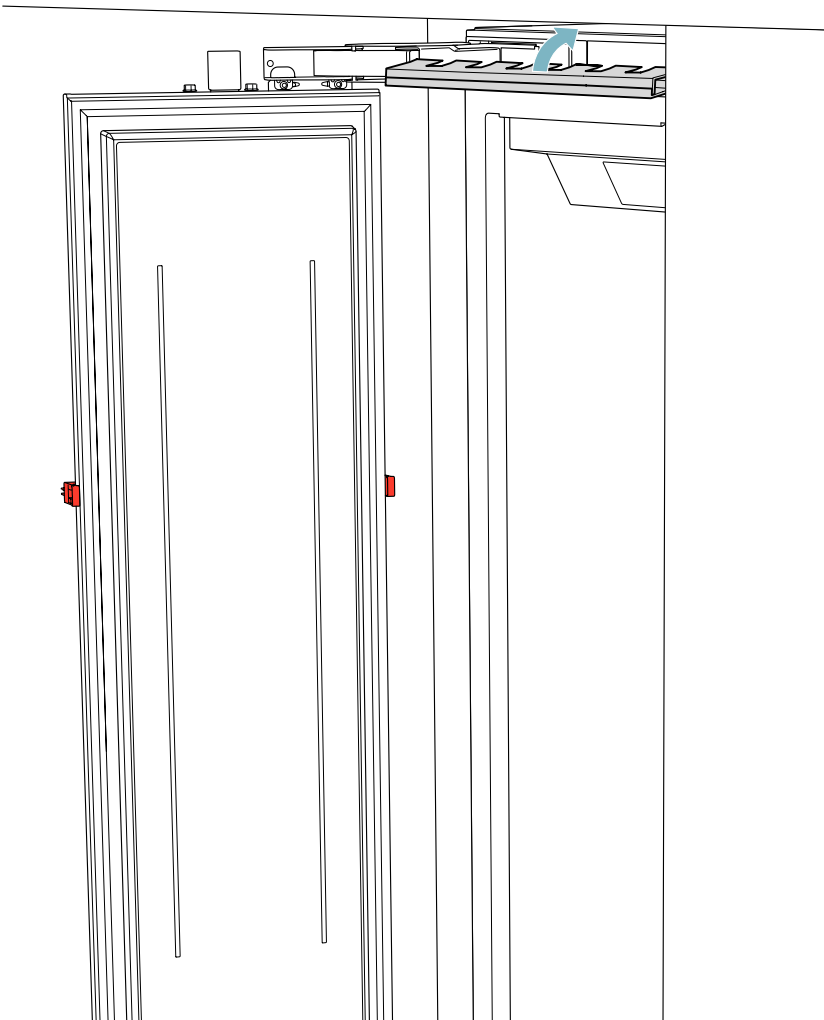
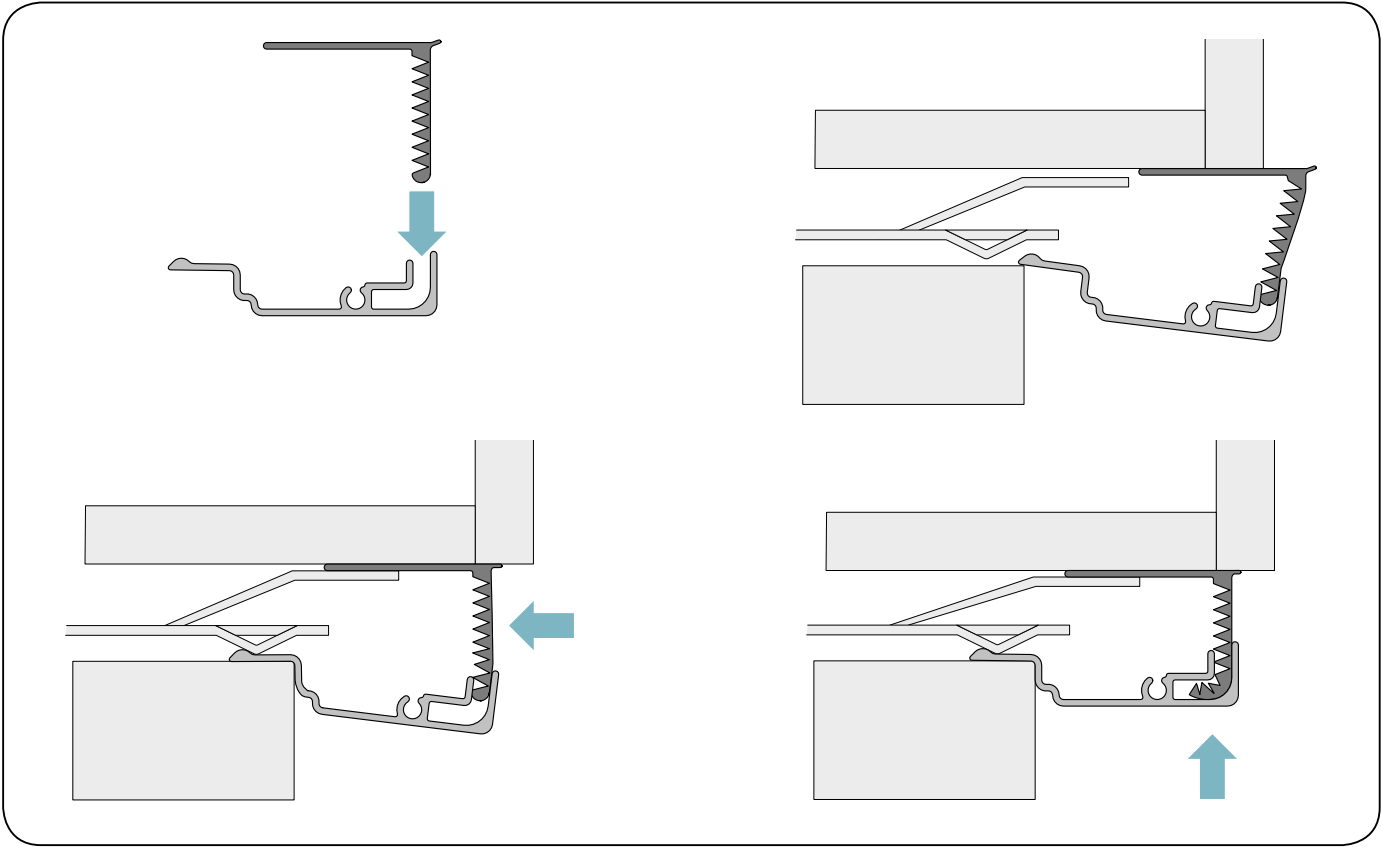
C

D

4x15   8x



A
B
C
D

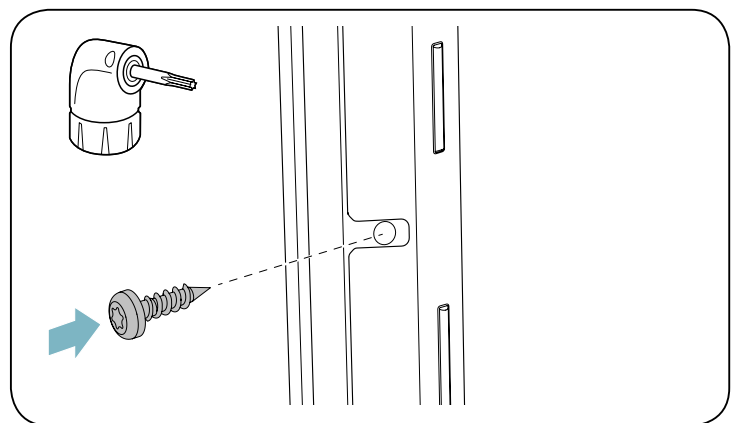
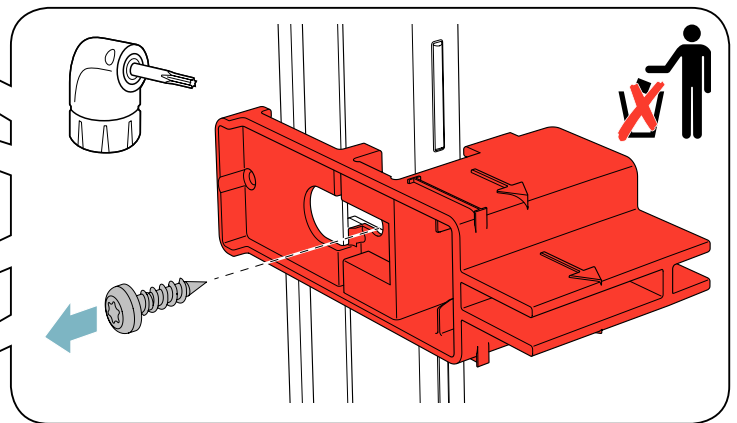
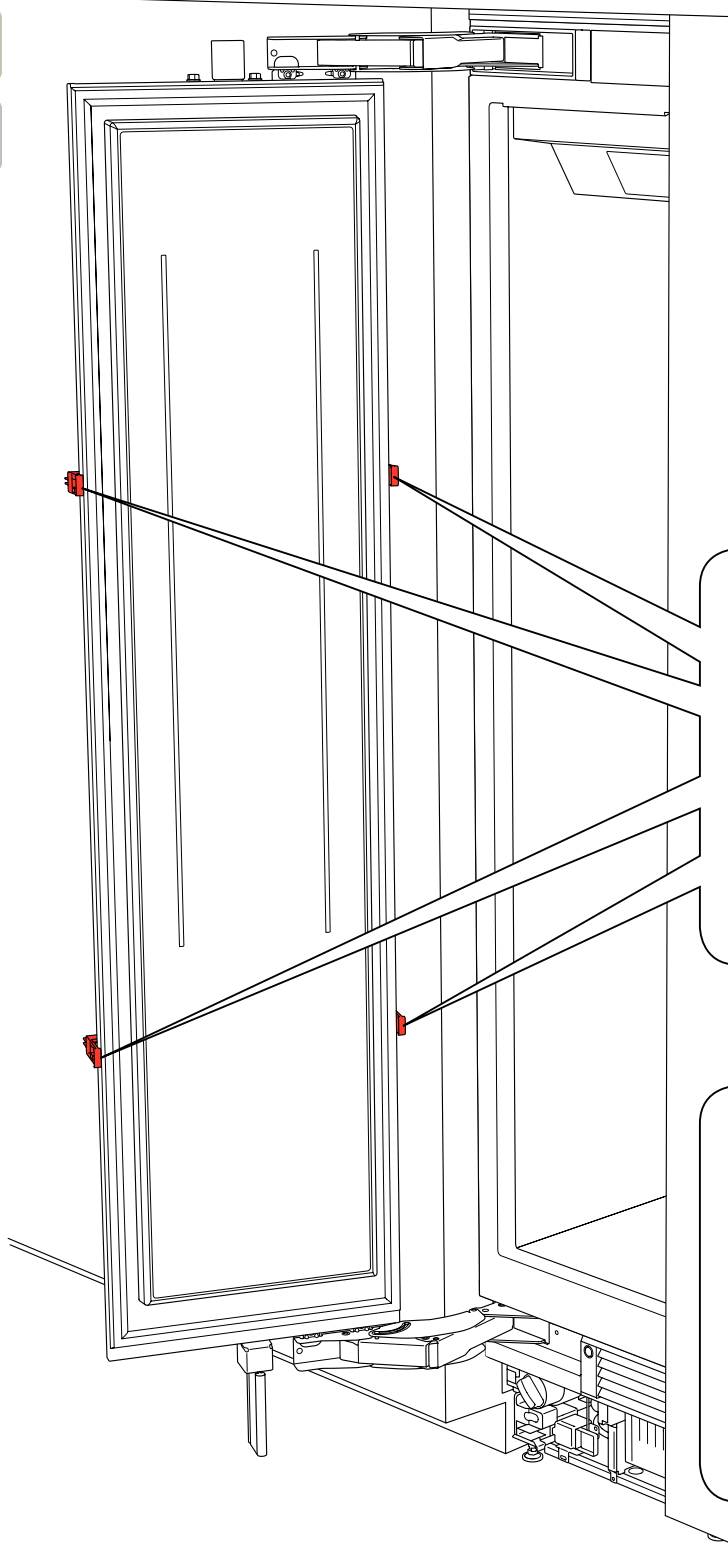


A

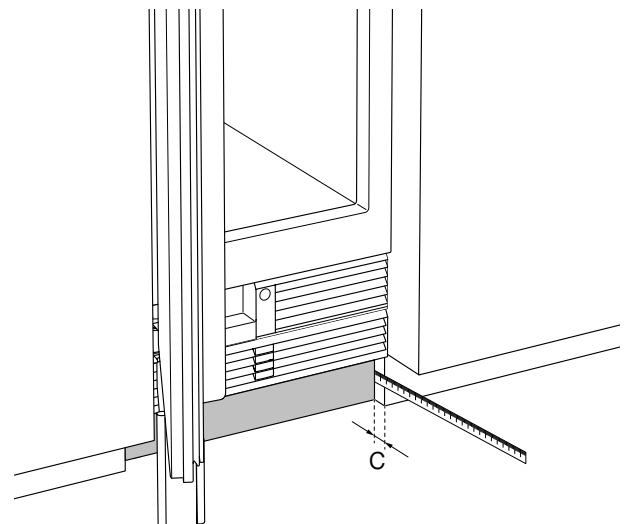
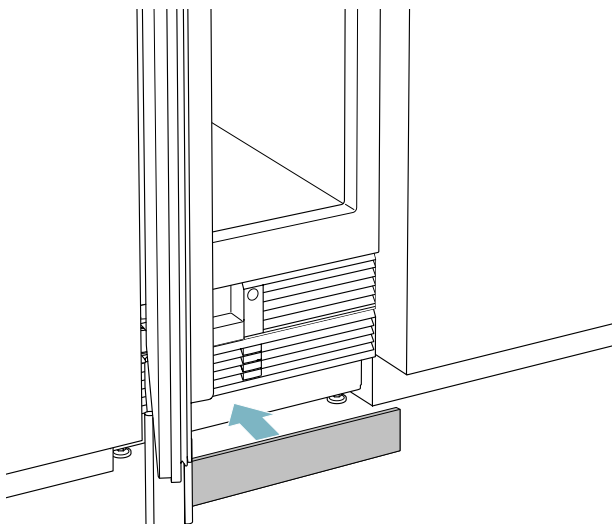
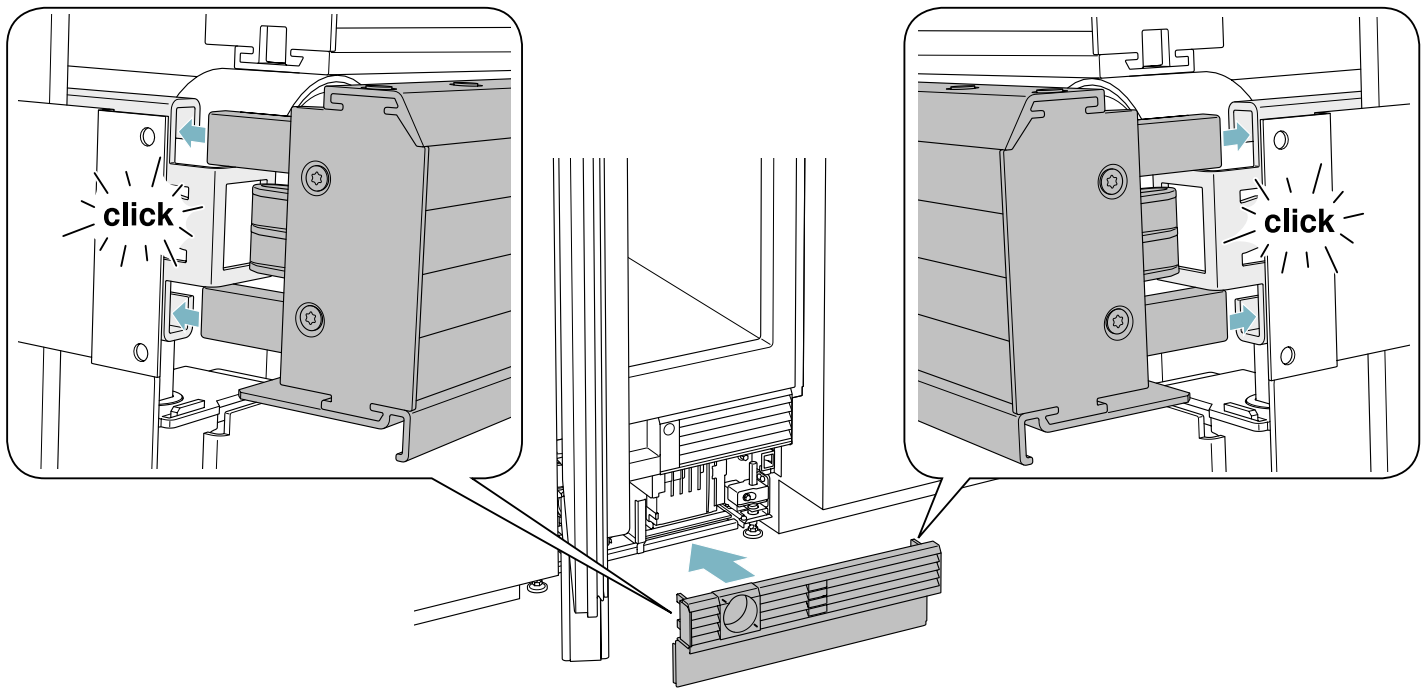
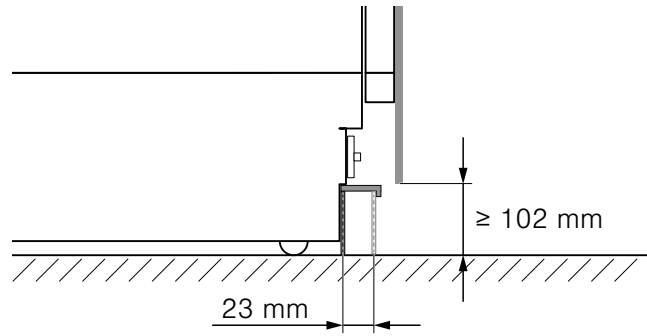
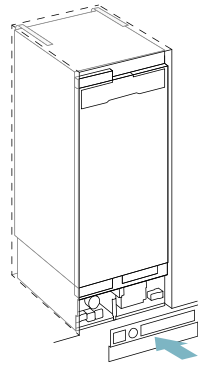
B

C

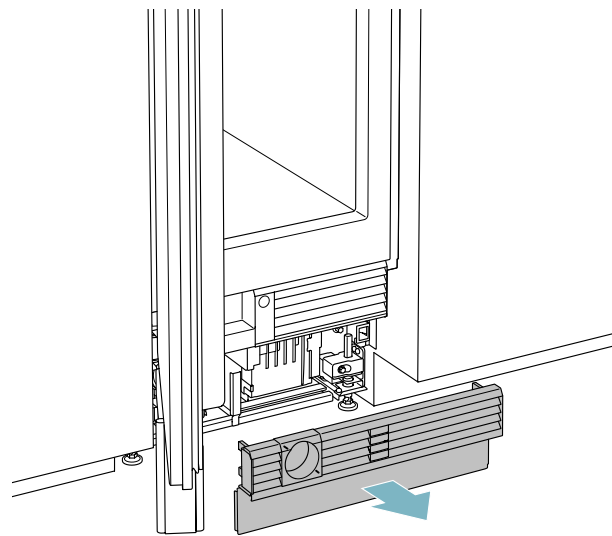
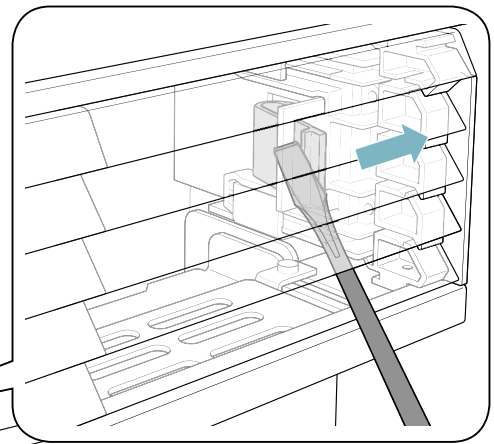
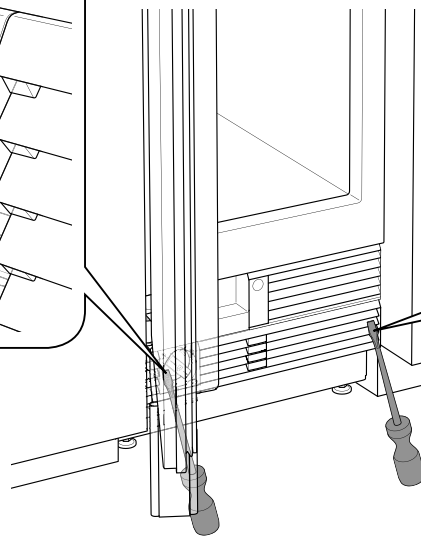
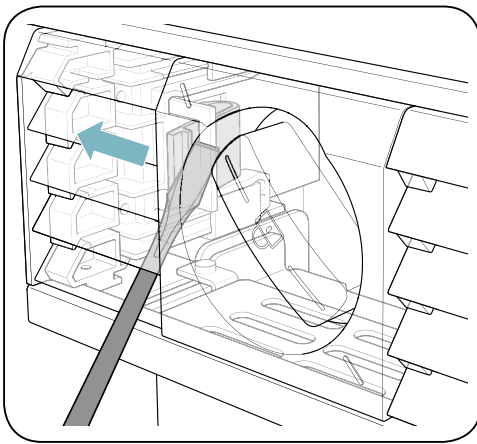
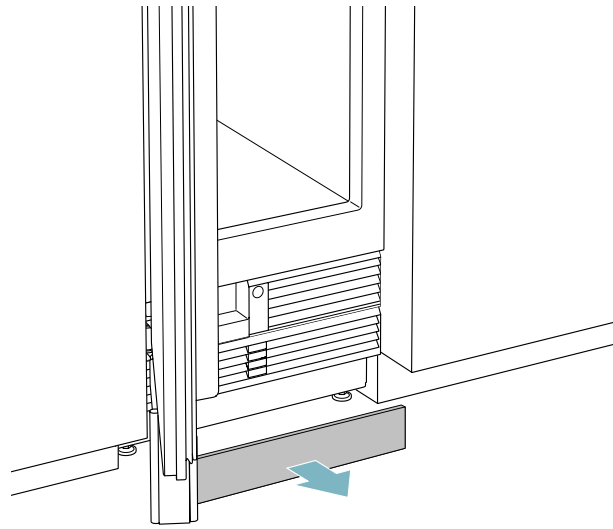
D



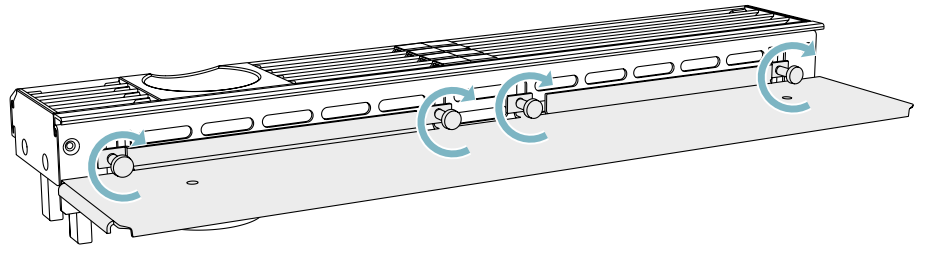
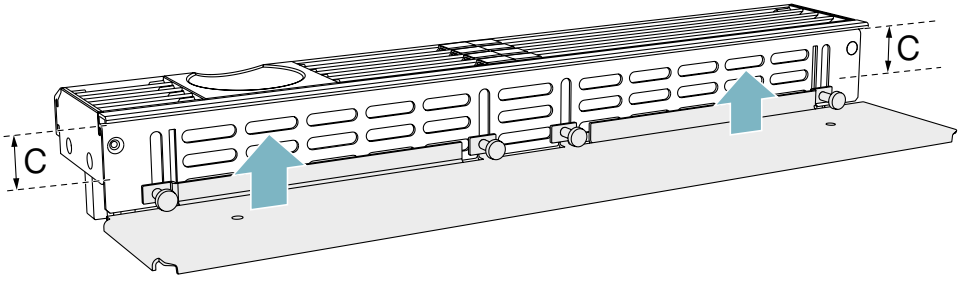
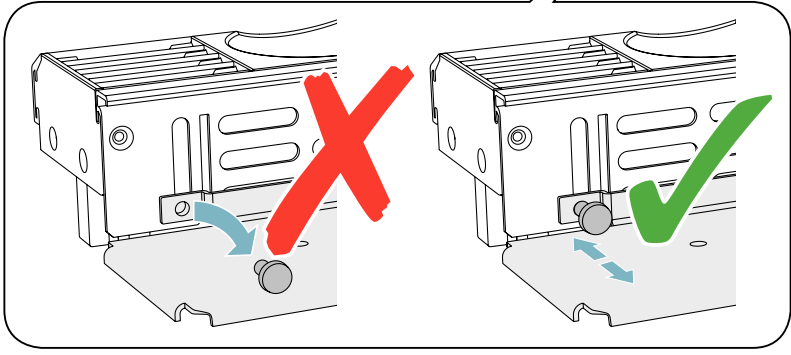
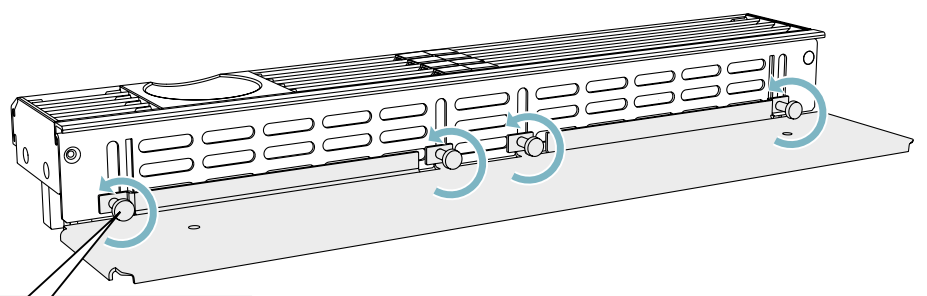
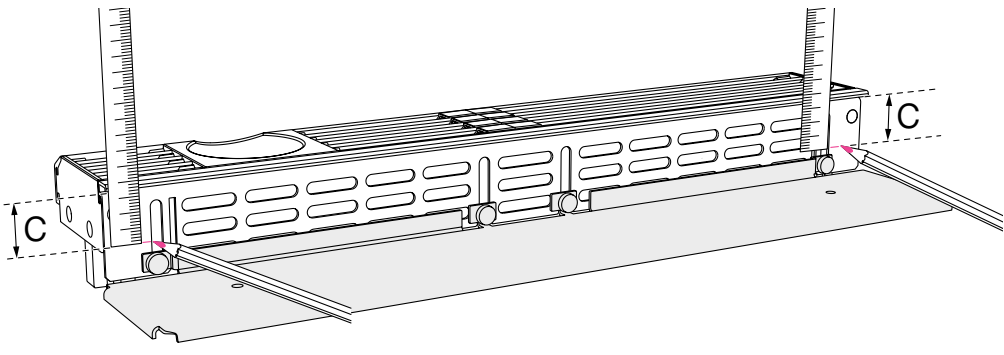
- A
- B
- C
- D



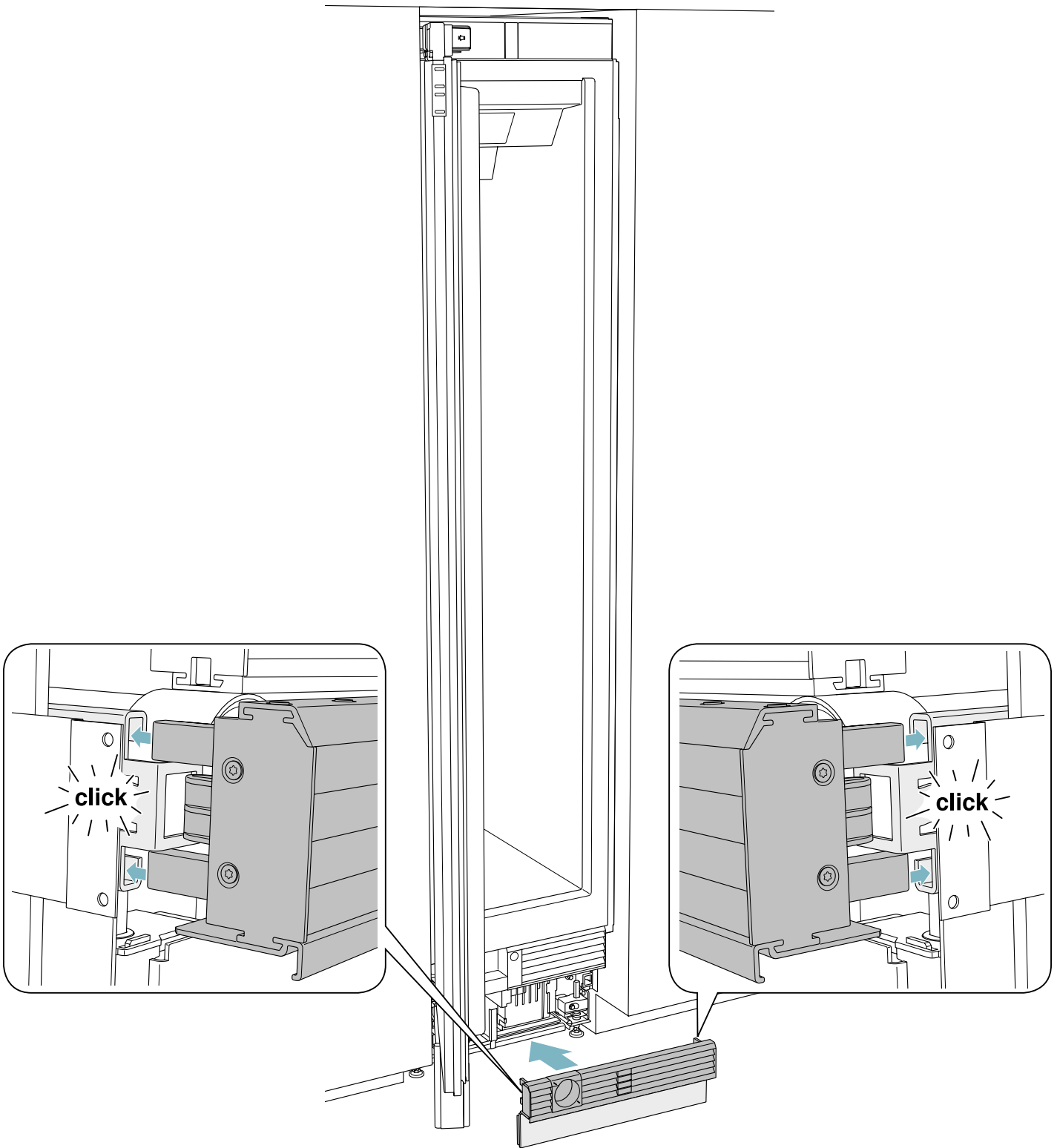
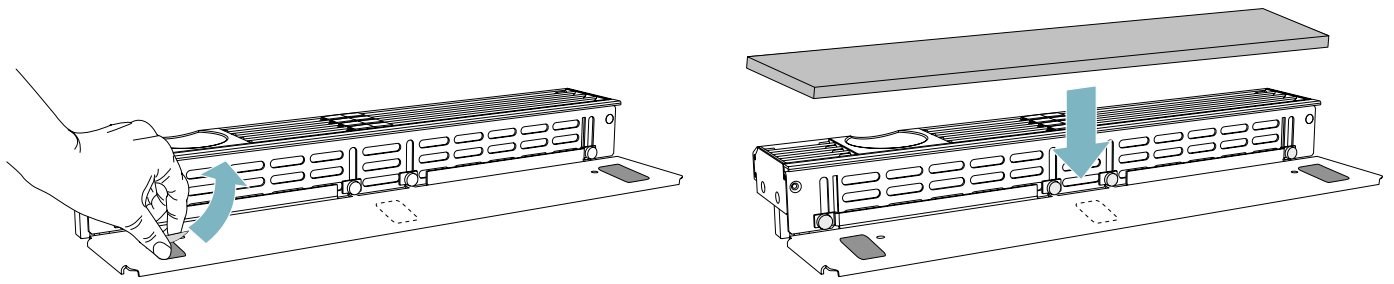
- A
- B
- C
- D

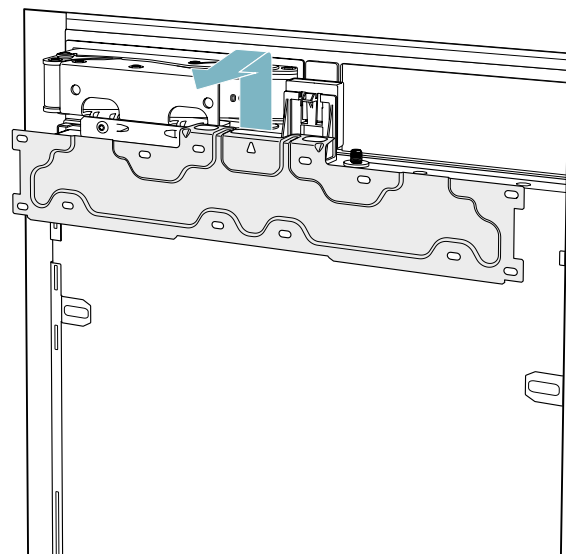
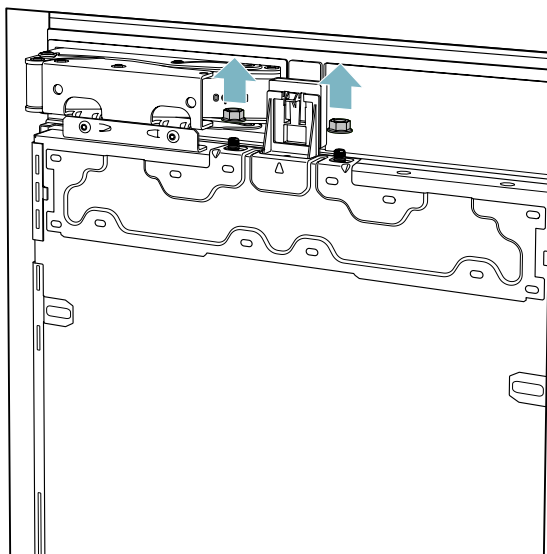
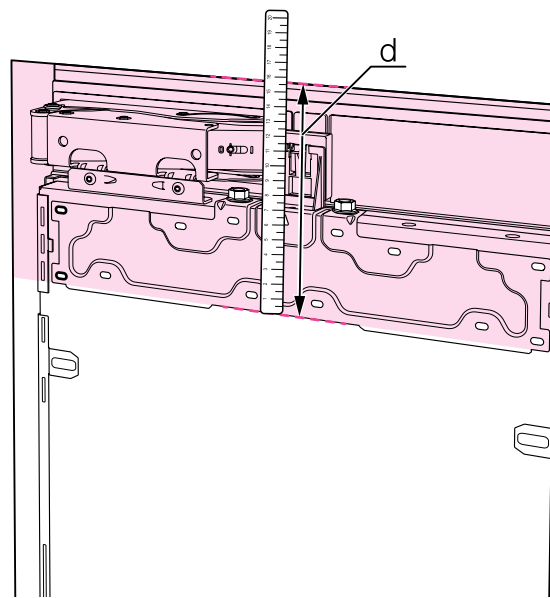
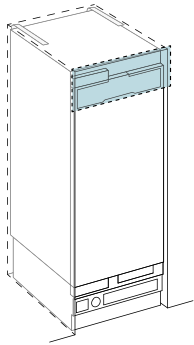
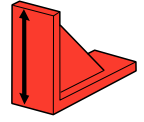
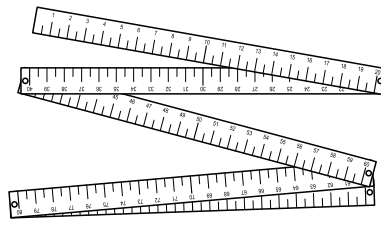
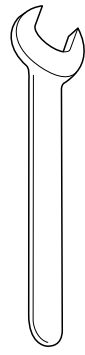
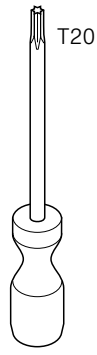
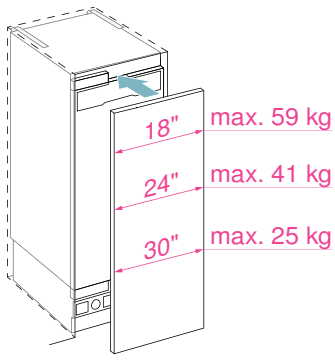


- A
- B
- C
- D

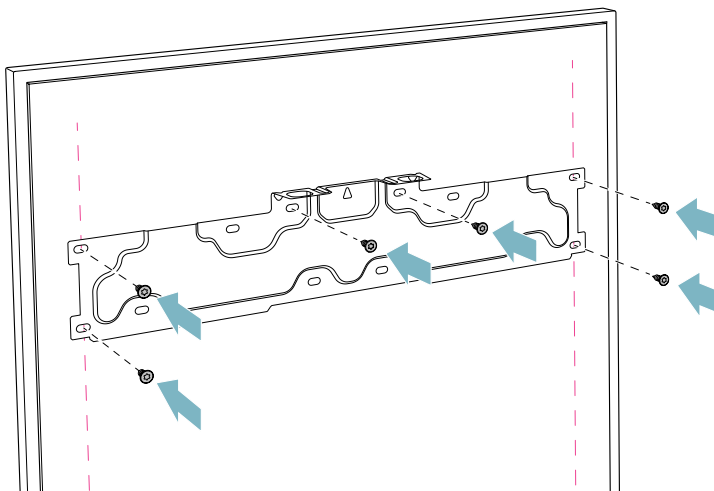
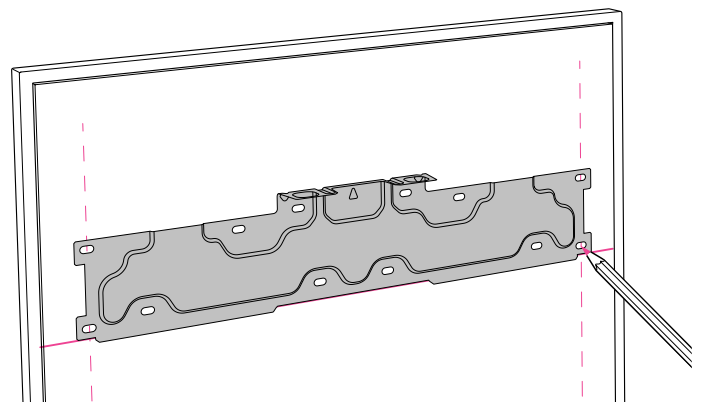
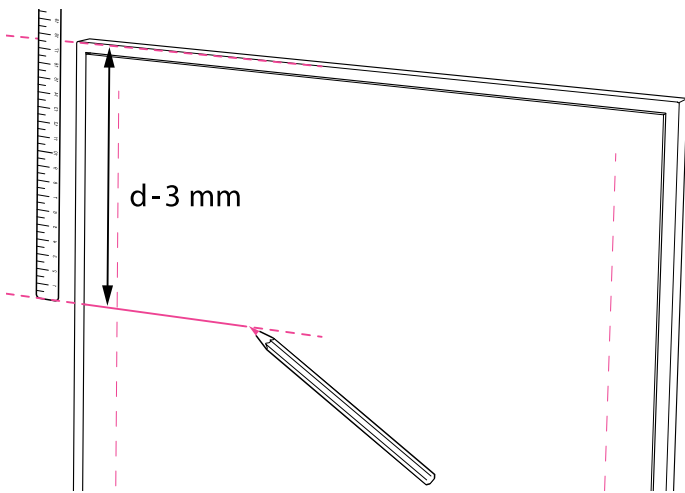
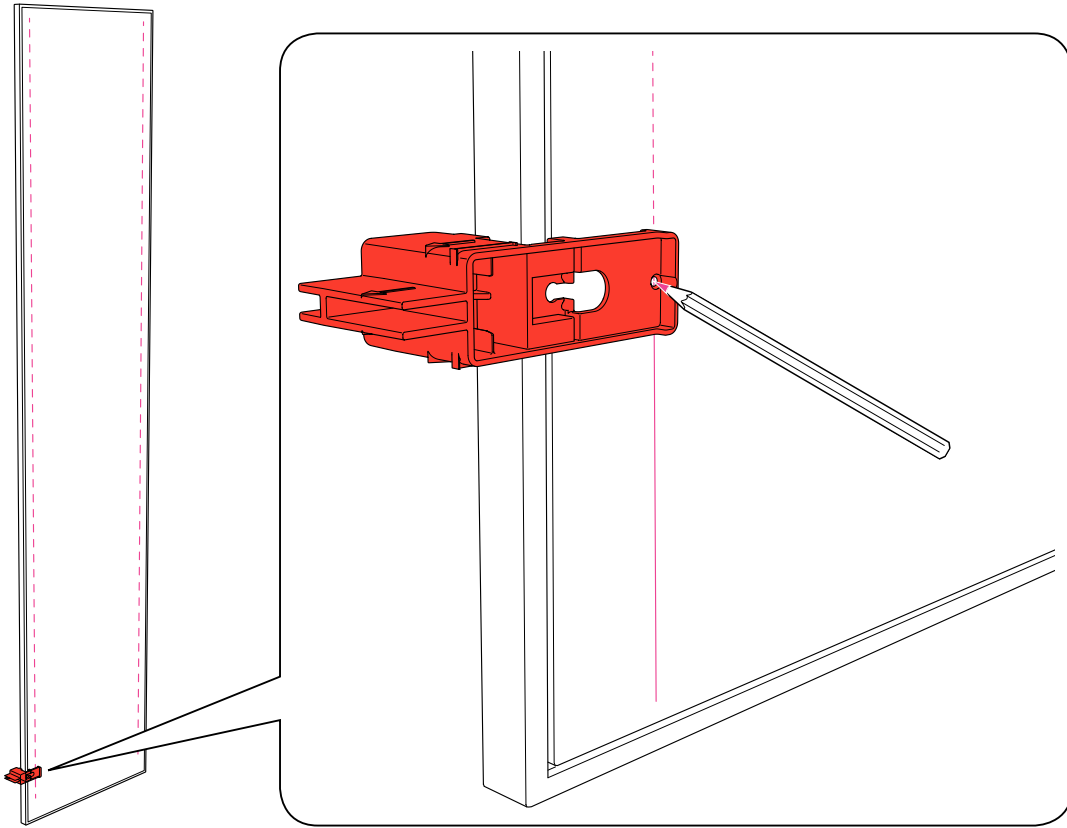



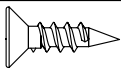
- A
- B
- C
- D

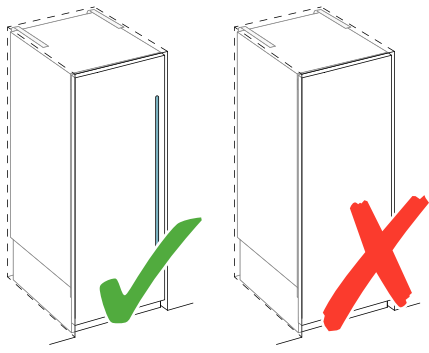



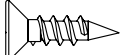


A
B
C
D

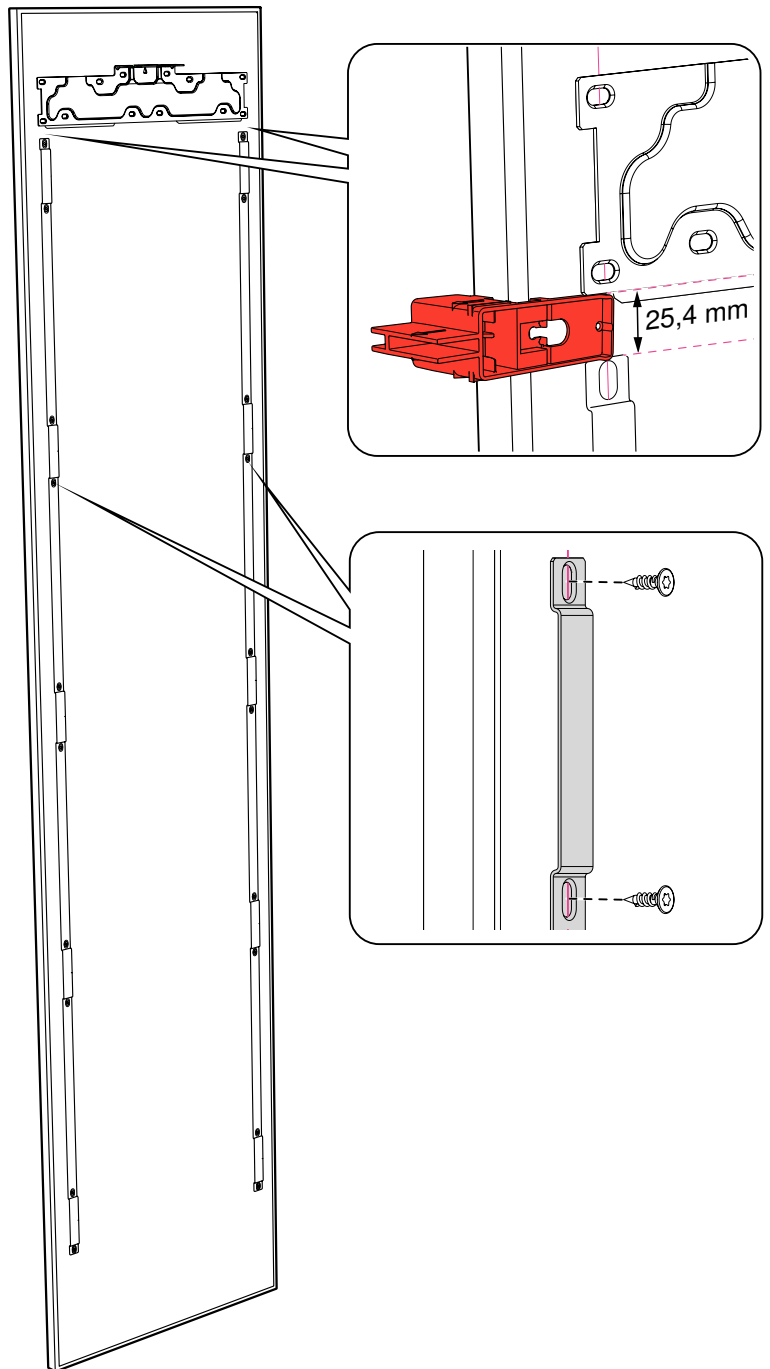
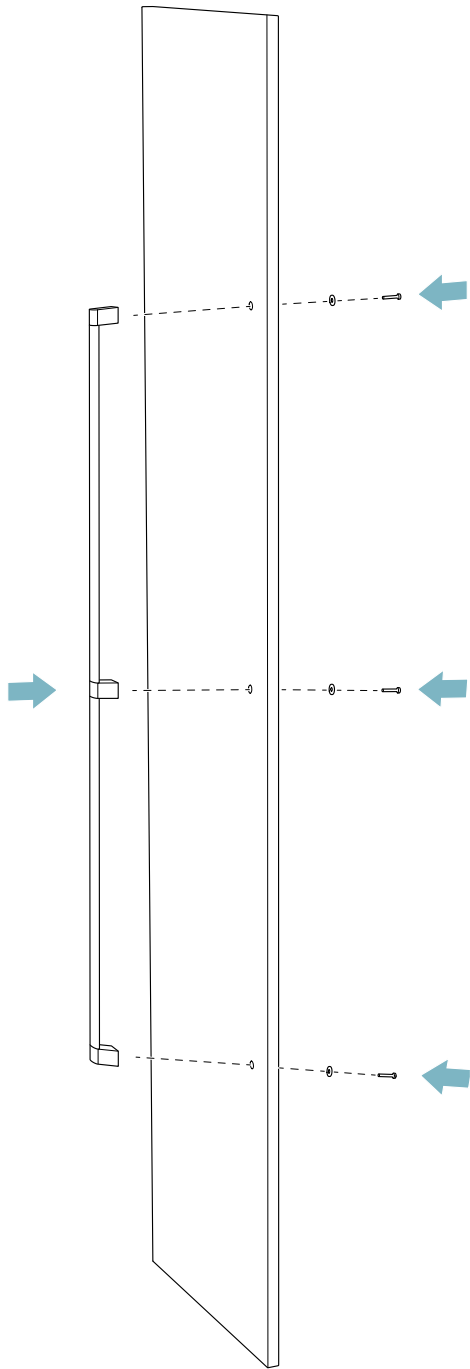


4x15			18" (457 mm) min. 6x
			24" (610 mm) min. 6x
			30" (762 mm) min. 10x

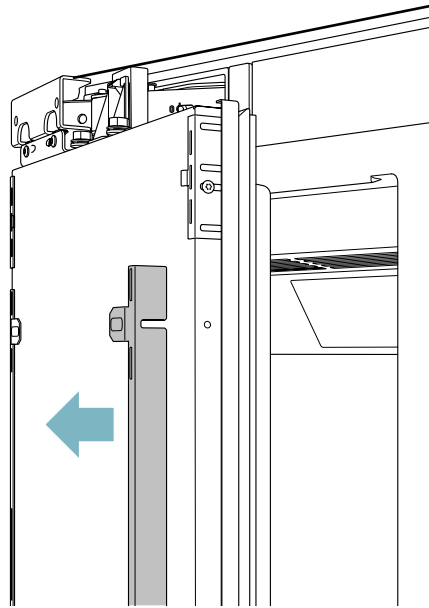
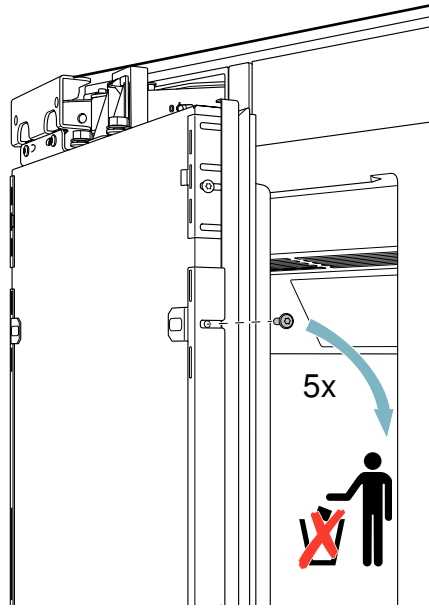
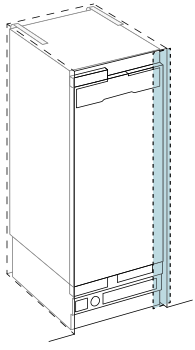


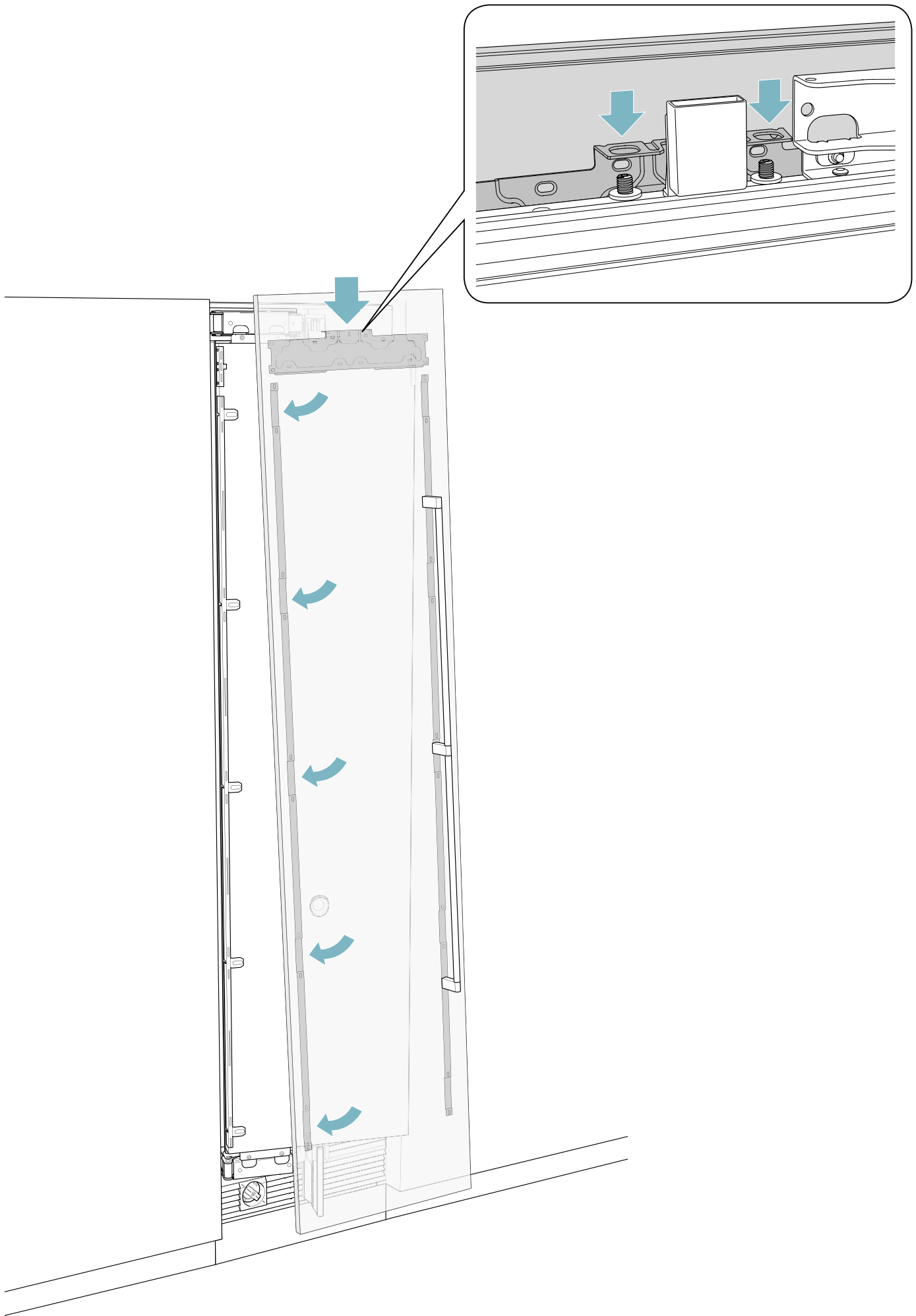
4x15   20x

- A
- B
- C
- D



A
B
C
D





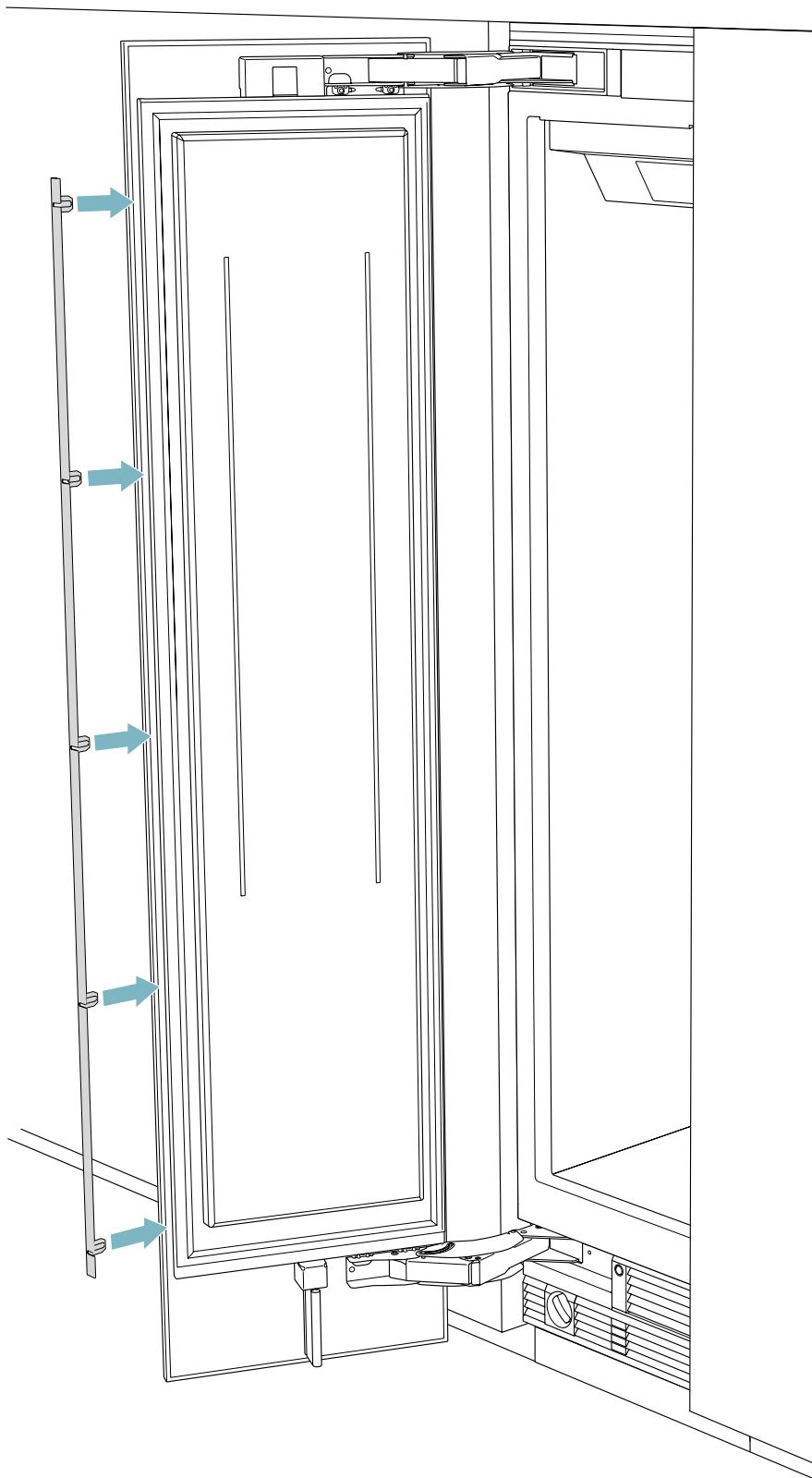
- A
- B
- C
- D

A

B

C

D

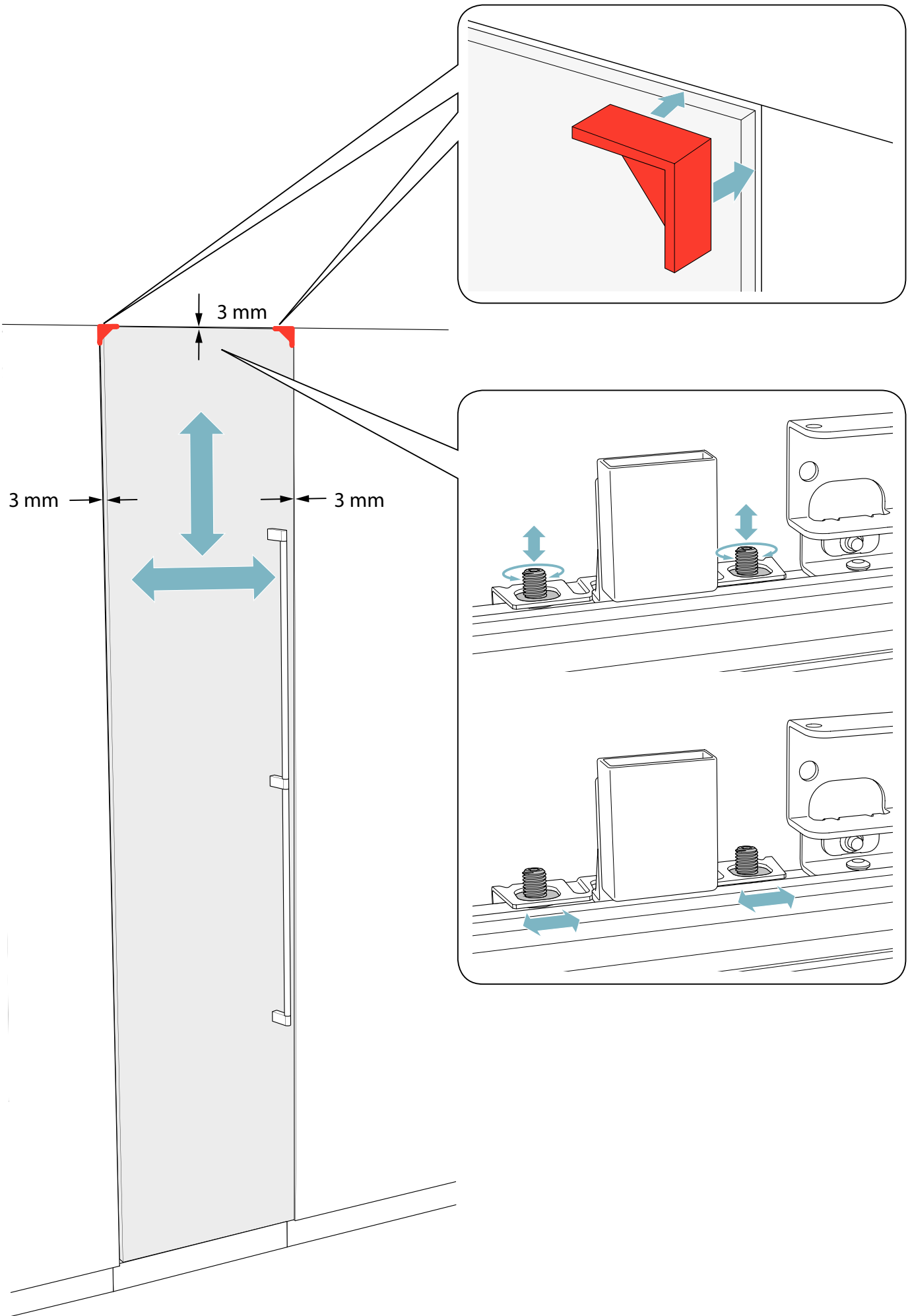


A

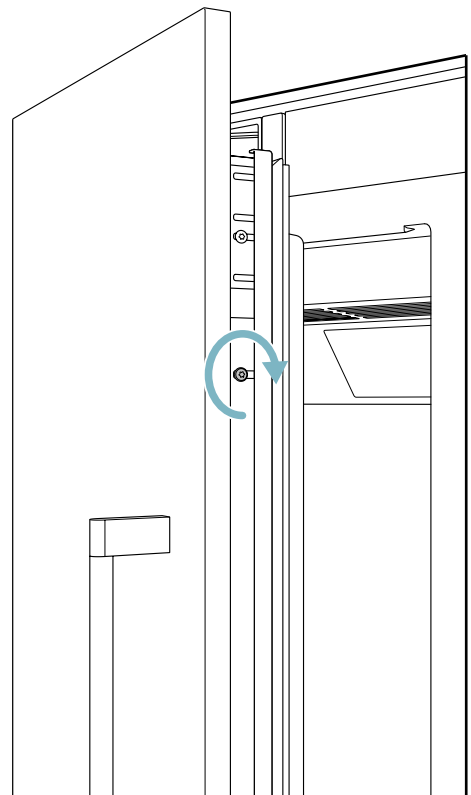
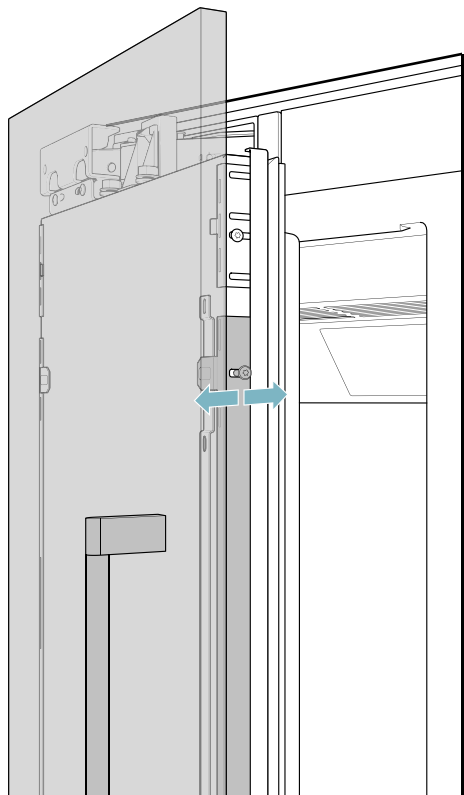
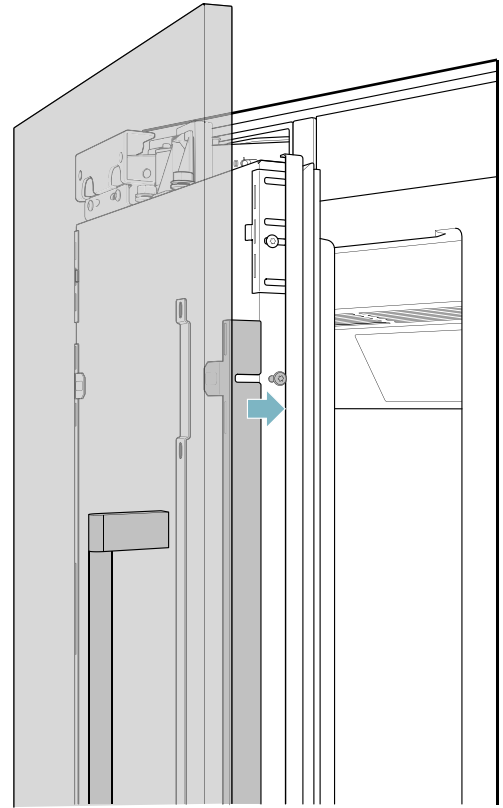
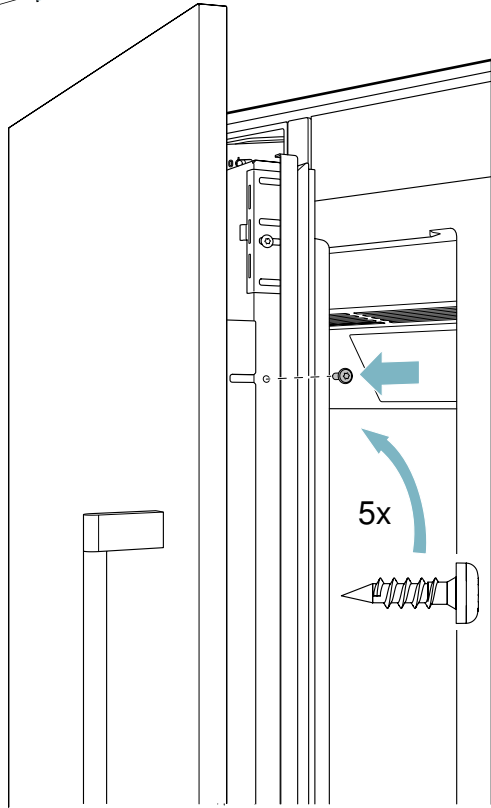
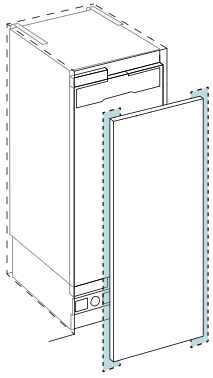
B

C

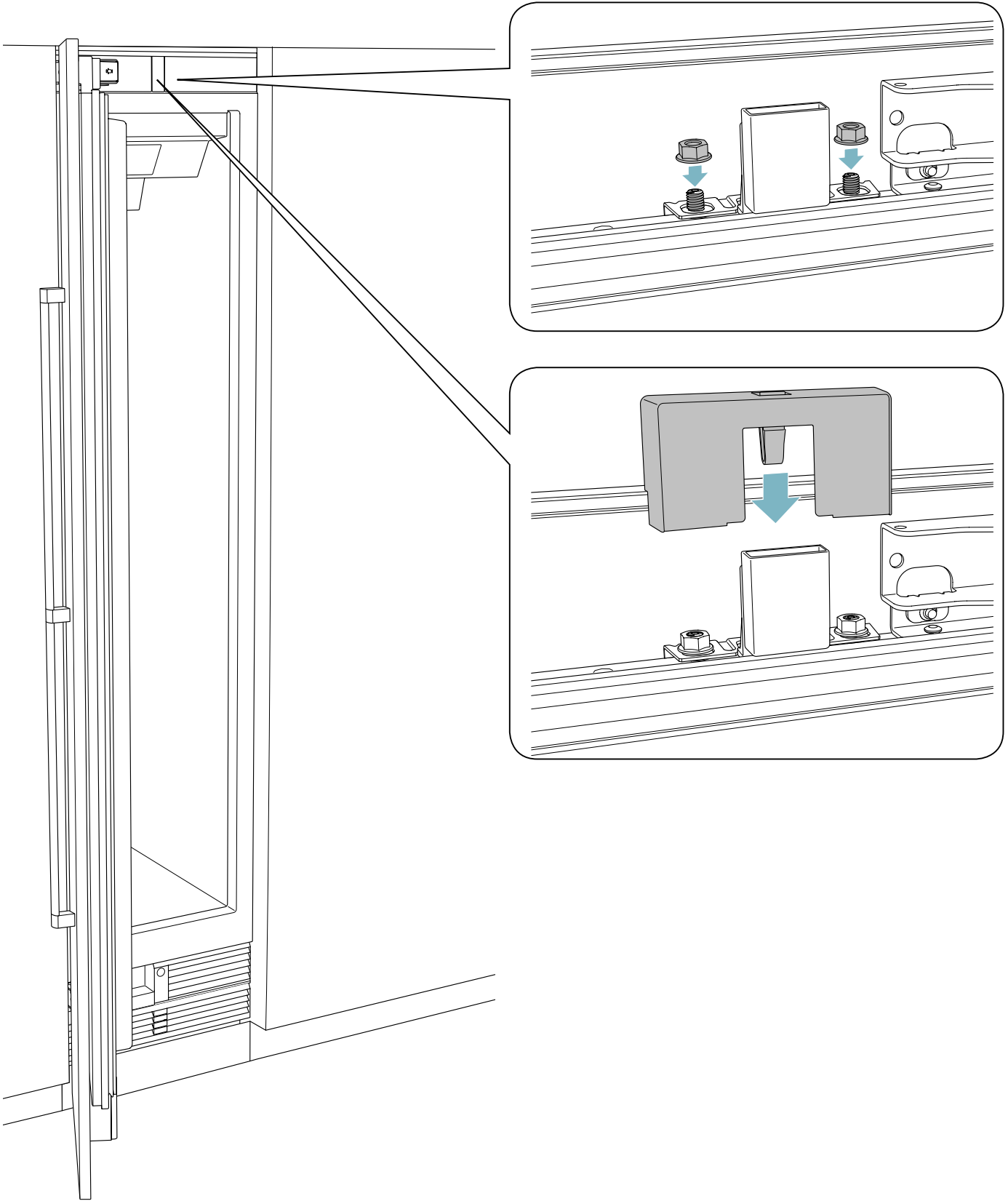
D



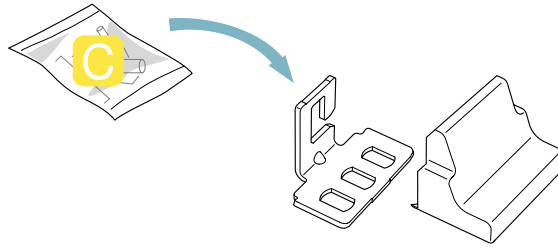
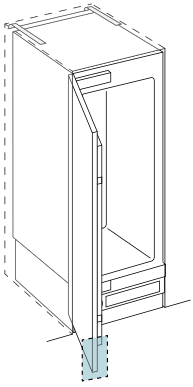
- A
- B
- C
- D



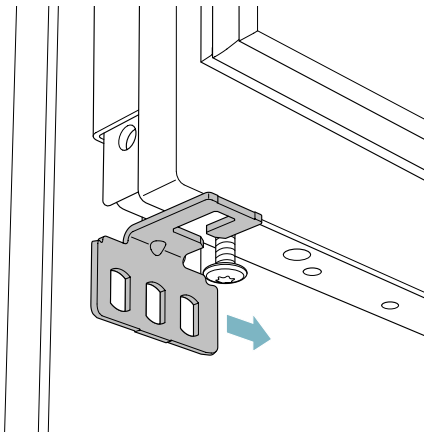
- A
- B
- C
- D



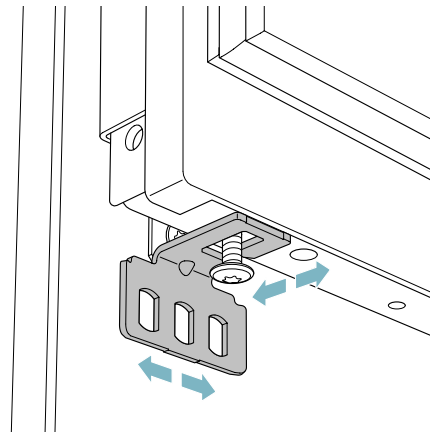
A
B
C
D



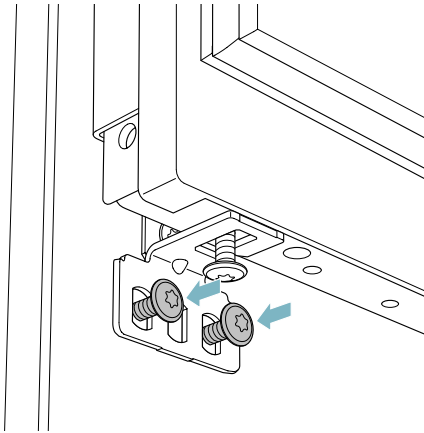
①



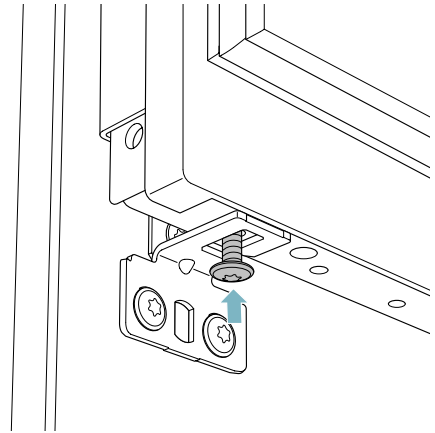
②



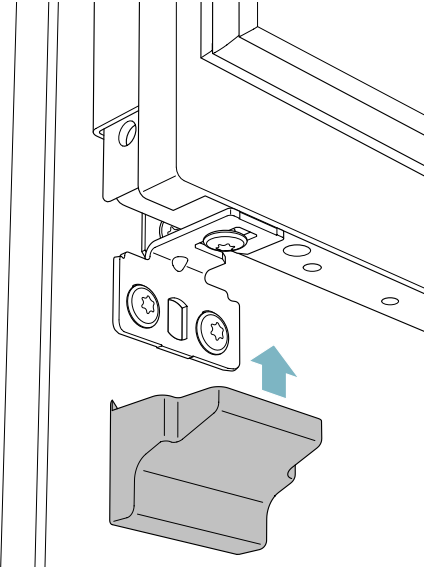
③



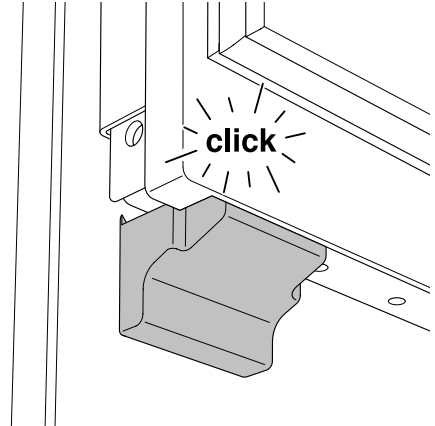
④



⑤



⑥

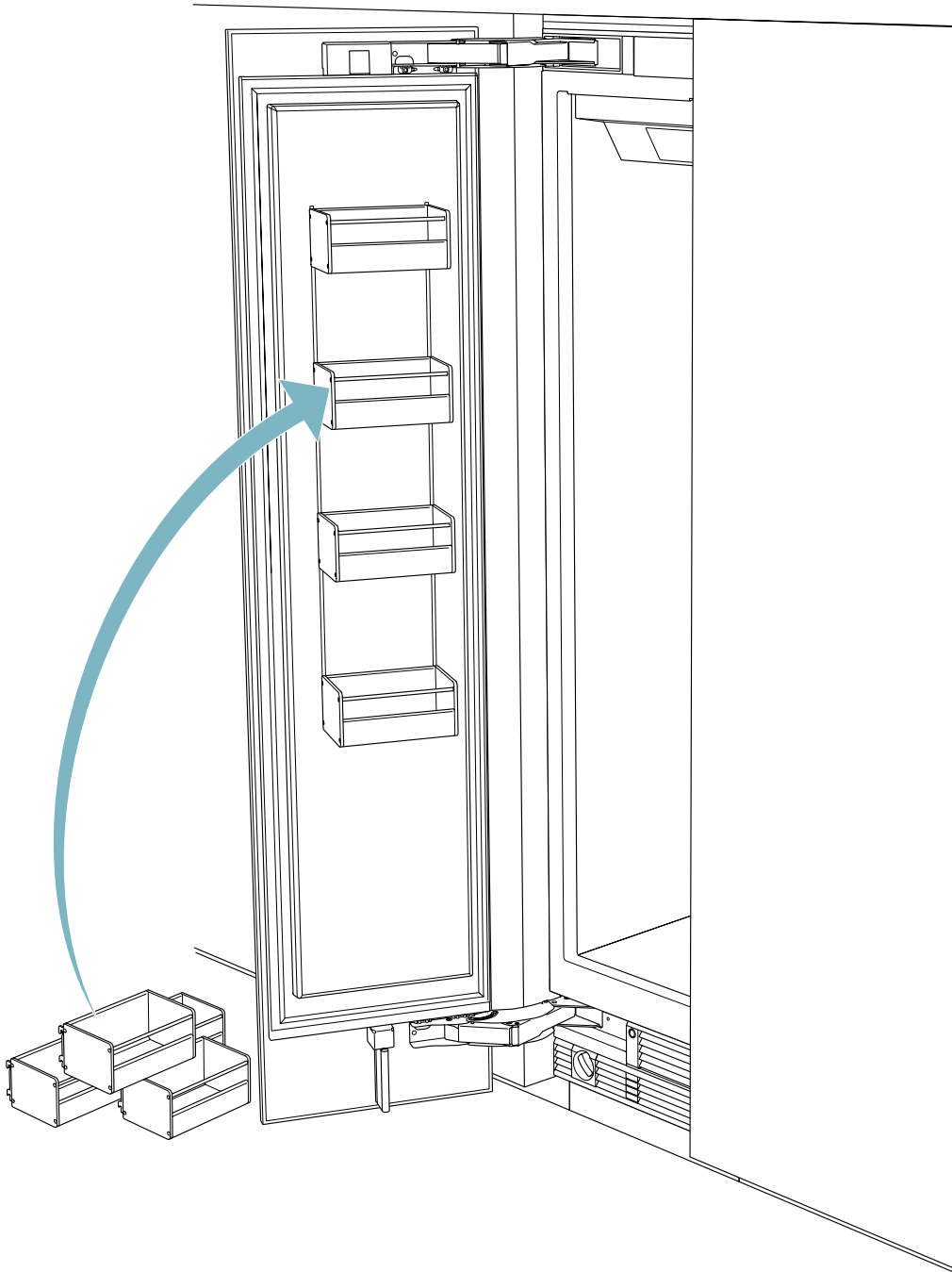


A

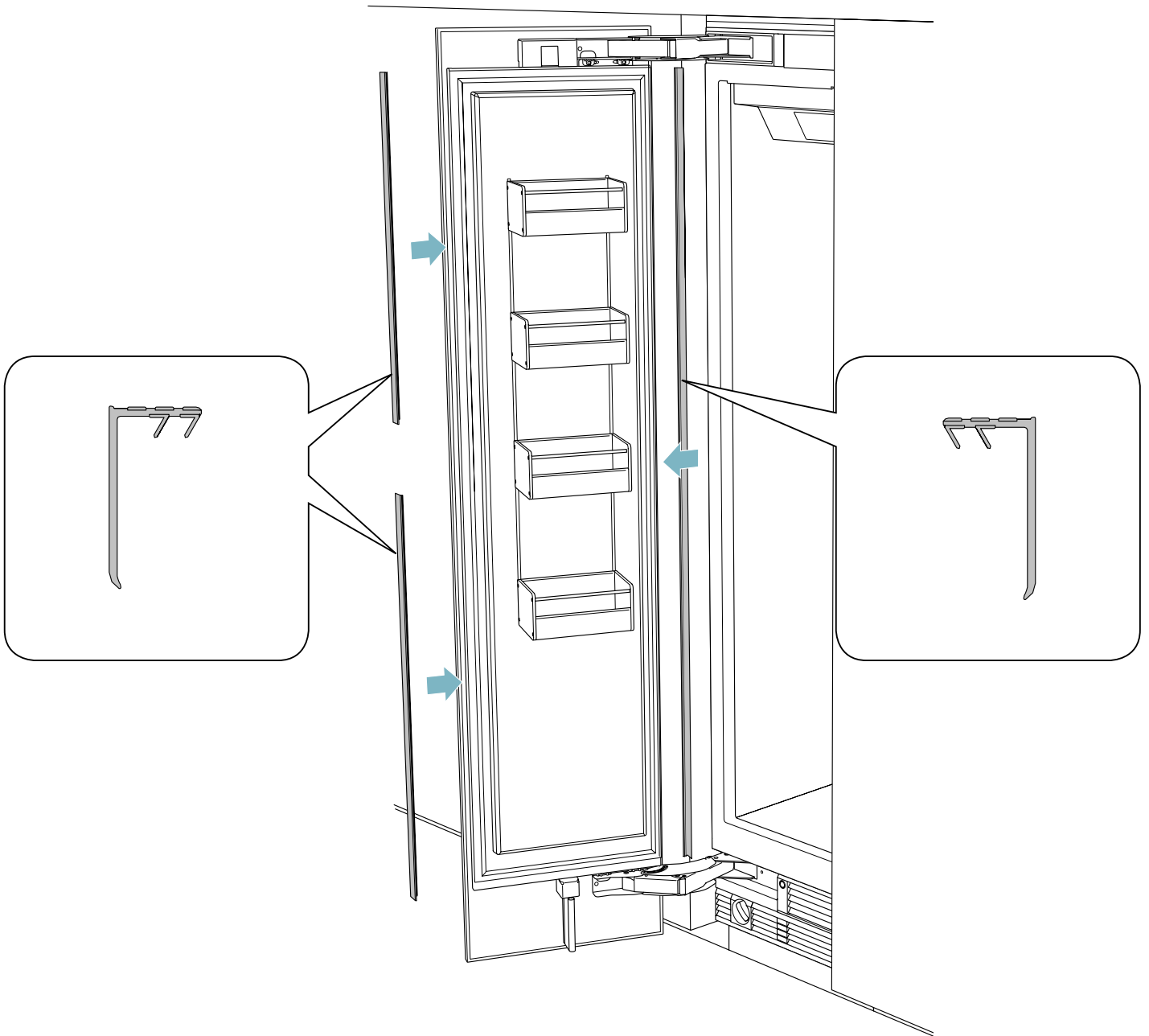
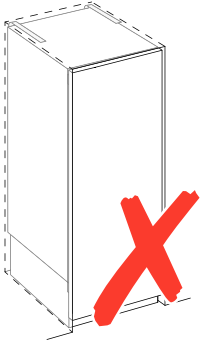
B

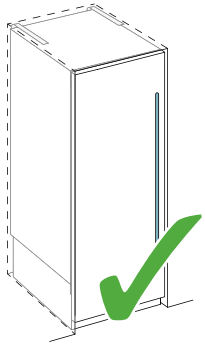
C

D

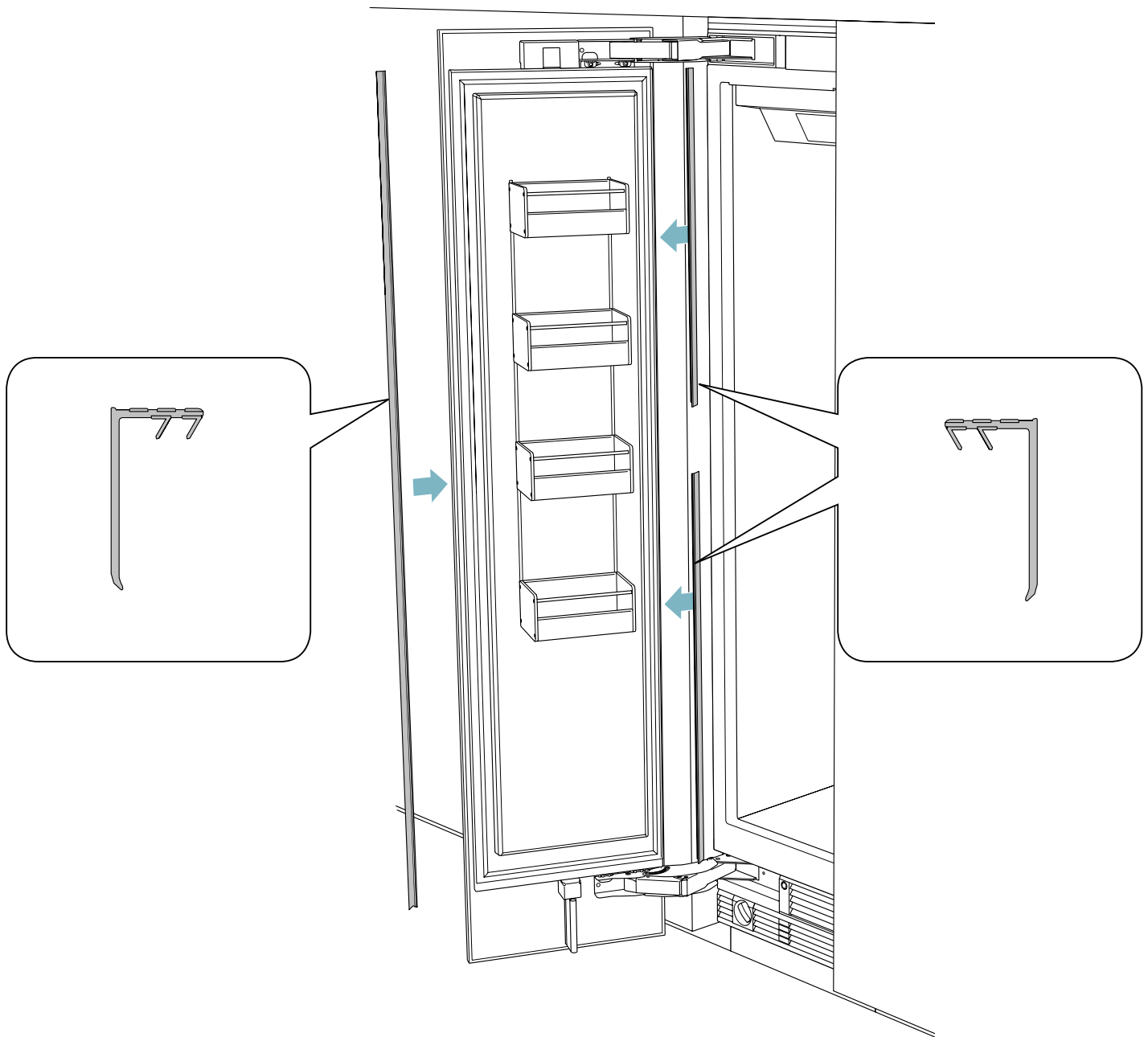


- A
- B
- C
- D





- A
- B
- C
- D

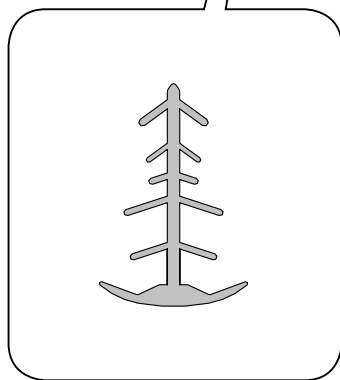


A

B

C

D

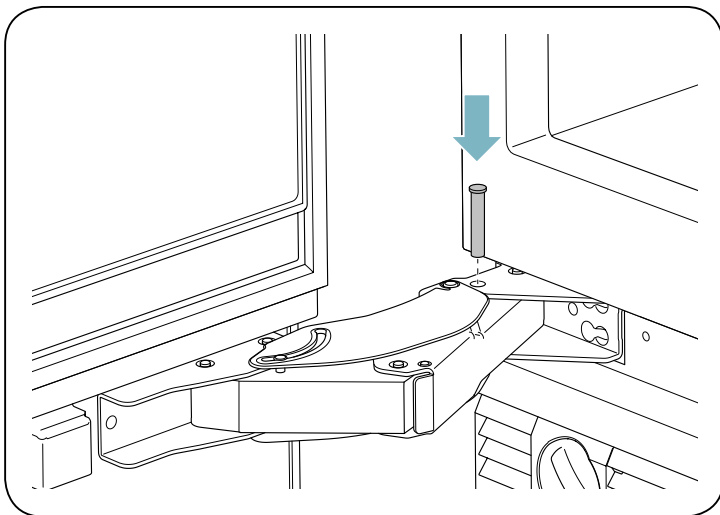
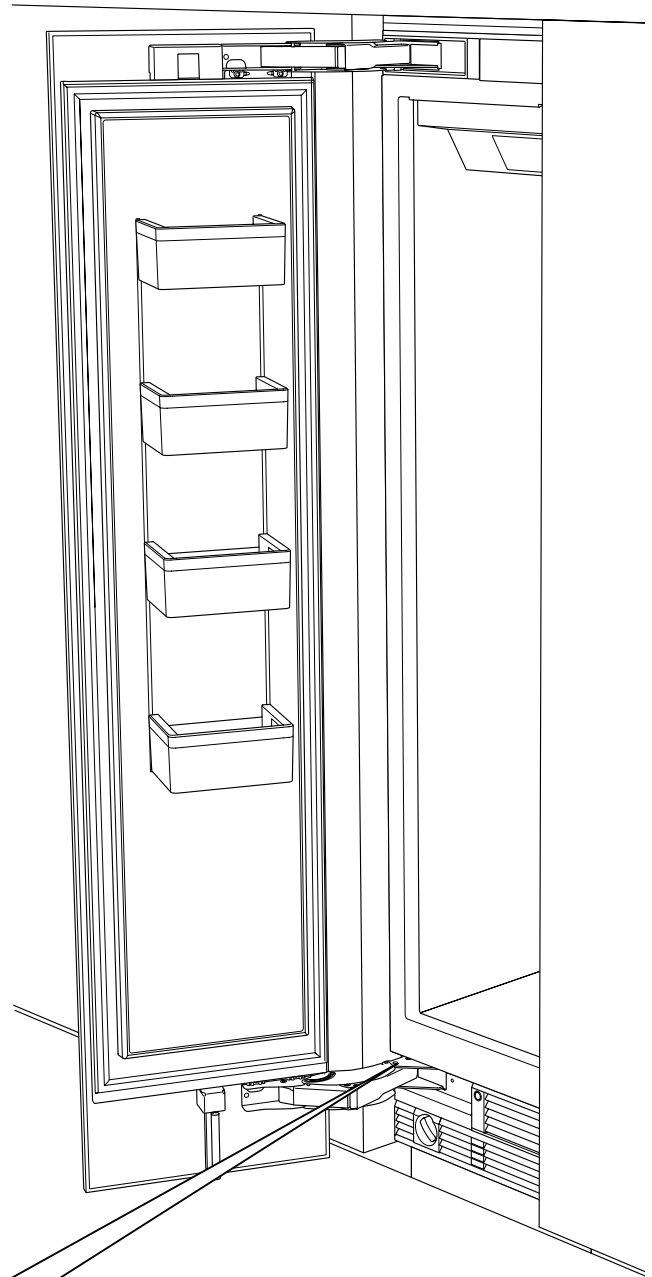
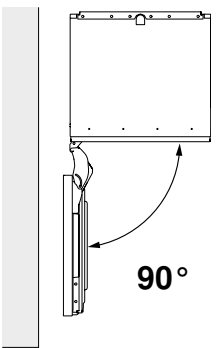
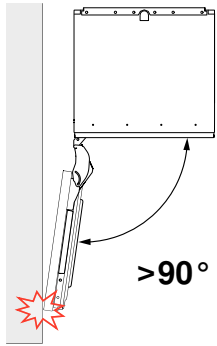
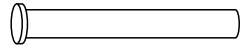


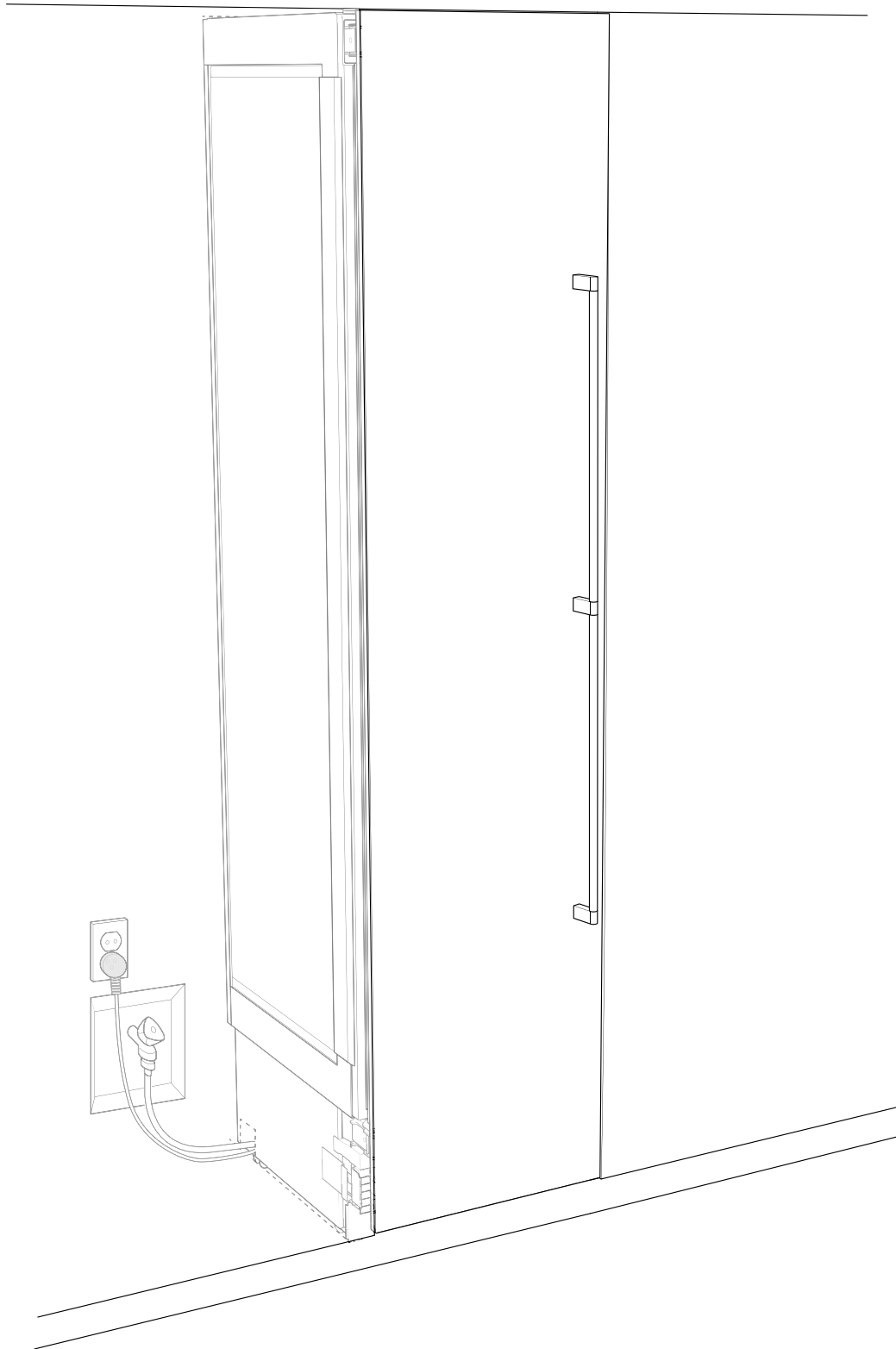
A

B

C

D





Gaggenau Hausgeräte GmbH
Carl-Wery-Straße 34
D-81739 München
www.gaggenau.com

8001041002 (9712)
xx

GAGGENAU

