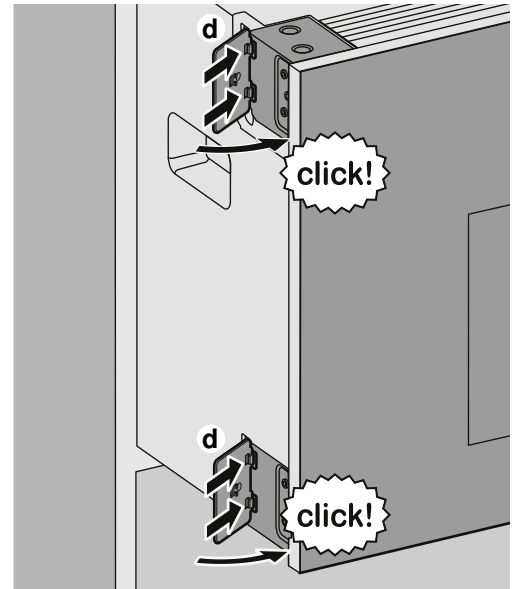
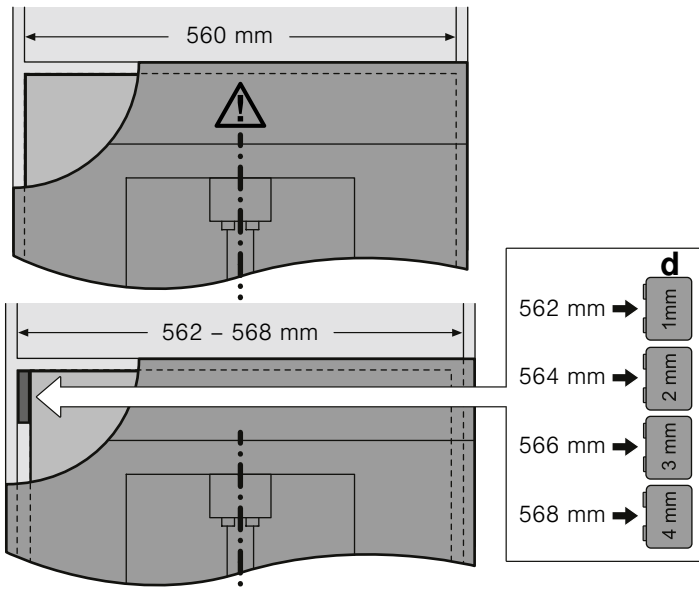
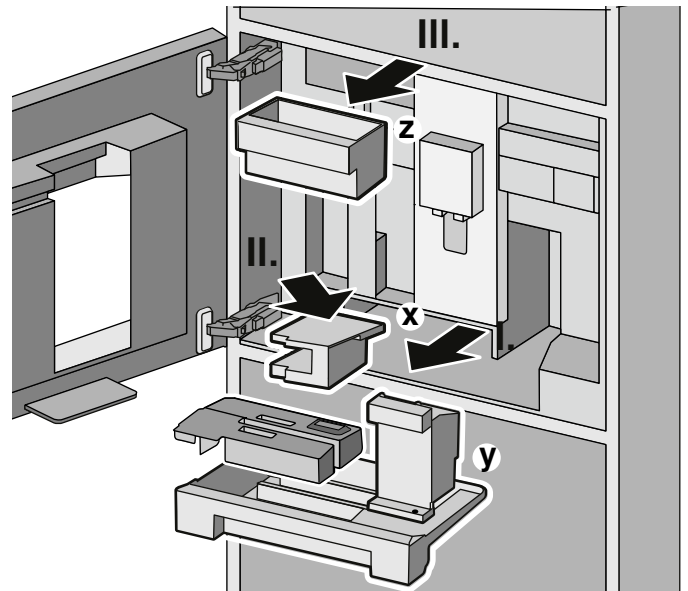
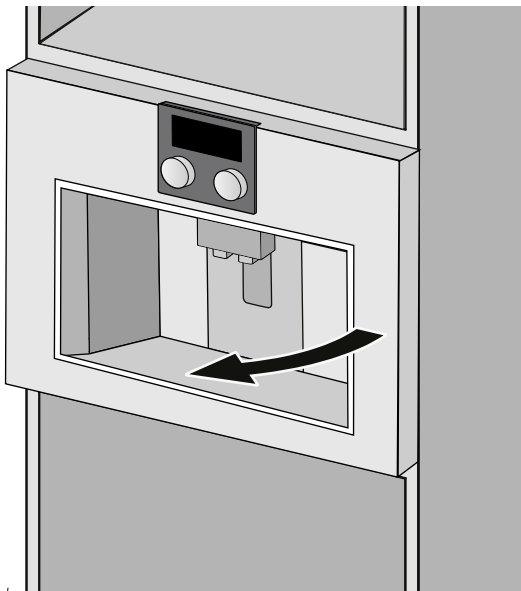


4

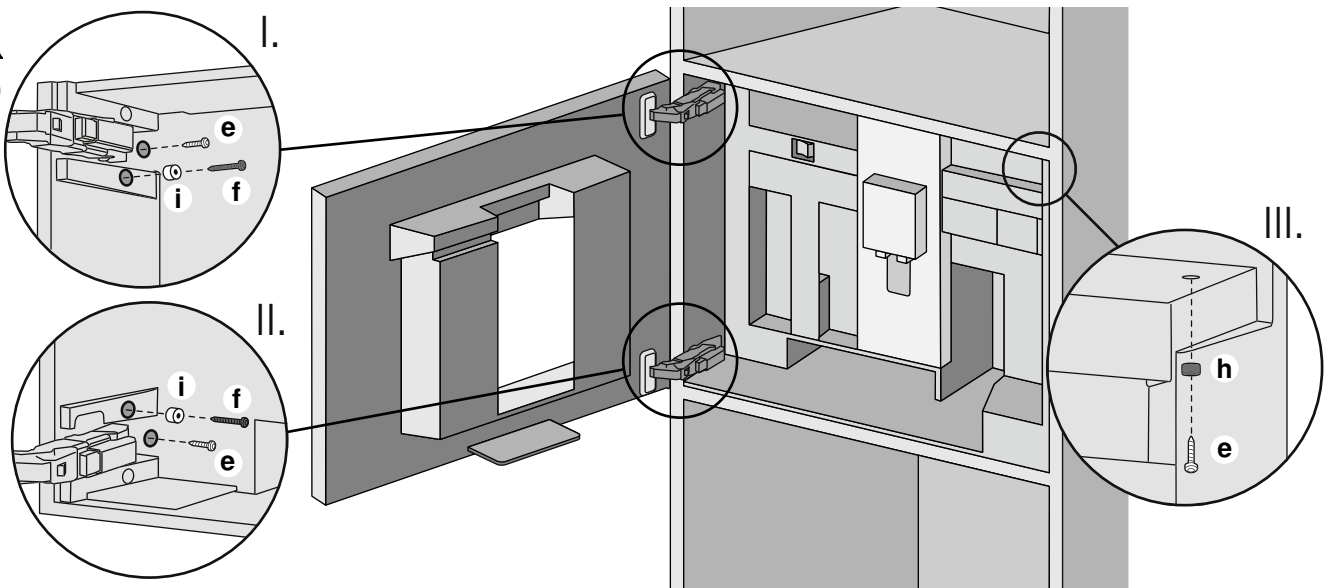


5



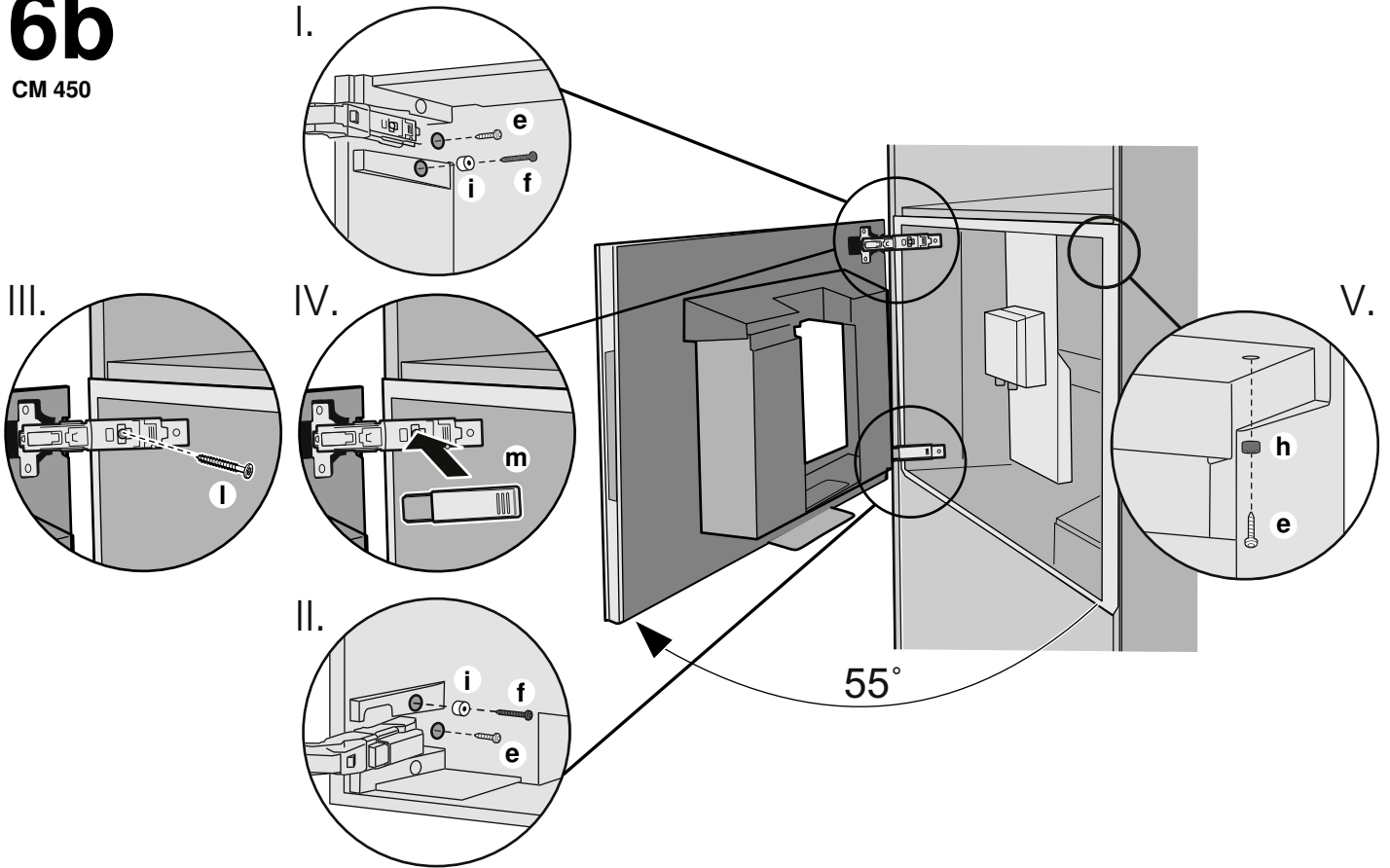
6a

CMP 250

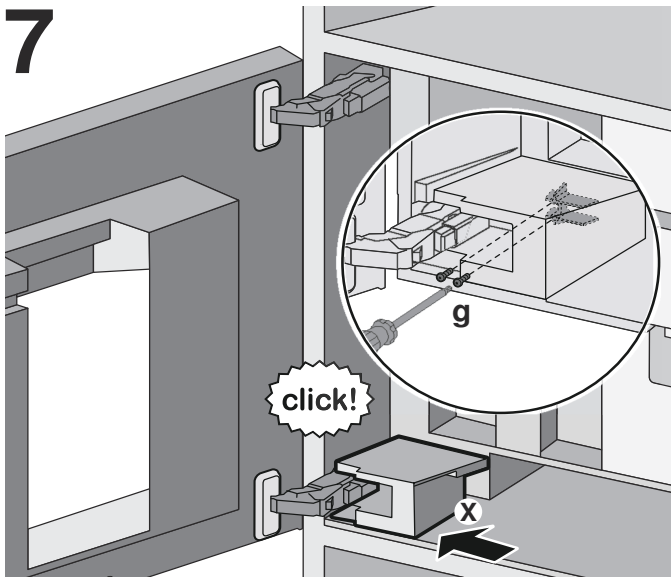


6b

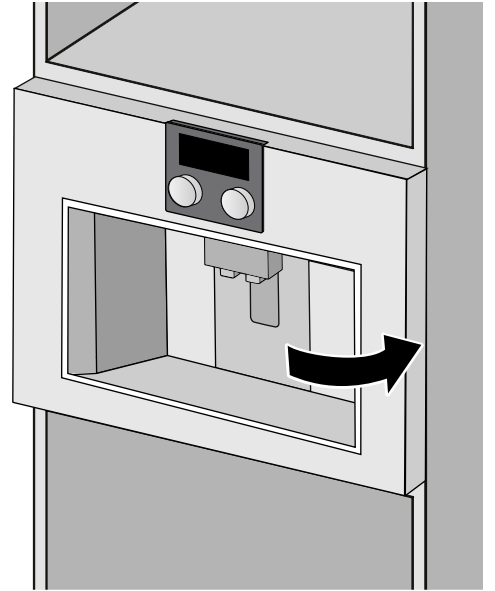
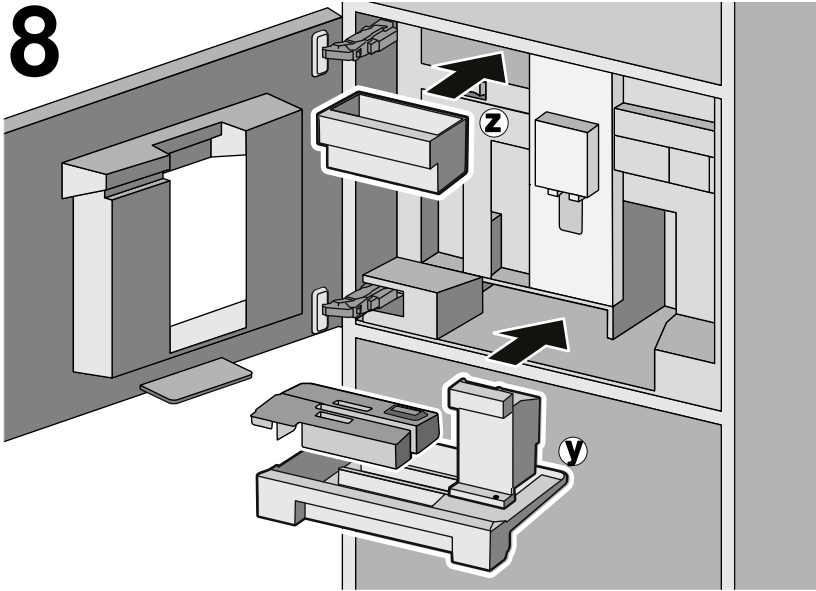
CM 450



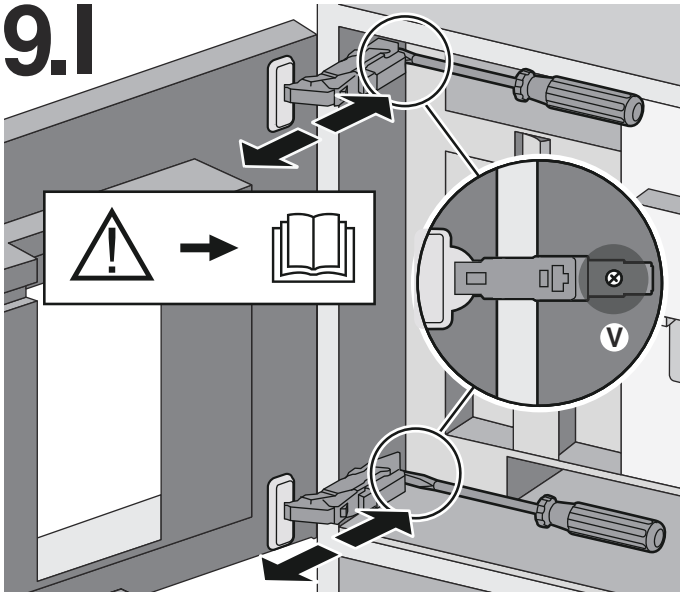
7



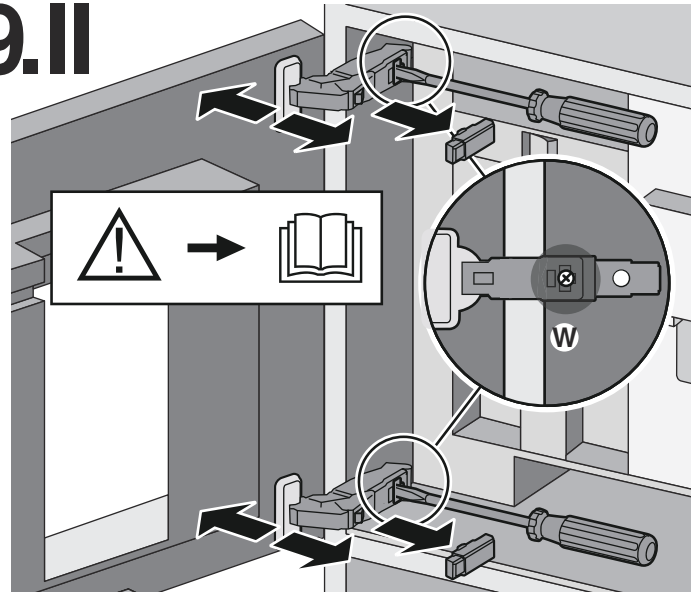
8



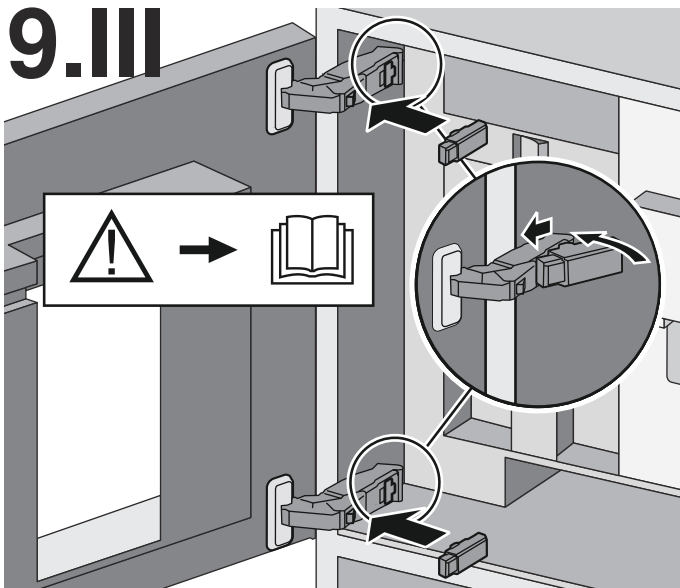
9.I



9.II



9.III



正确安装

仅限在室温及海拔 2000 米以下的室内使用本电器。

防止本电器结霜，否则其将可能受到损坏。

重要安全须知

请务必阅读并注意使用说明书当中的安全注意事项。

请仔细阅读使用说明书并将其妥善保存。只有按照安装说明书进行的专业安装，才能保证使用安全。

未固定的橱柜必须以标准的角度固定在墙上。

有电击危险！

- 仅可根据铭牌上的说明连接和操作本机器。若本机器的电源线损坏，请务必向我们客户服务购买专门的电源线更换。
- 电线和电器必须完好无损方可使用。故障发生时，请立即拔下电源插头或关闭电源电压。
- 电器修理事宜仅由我们的客户服务进行，才能避免危险发生。
- 请勿将电器或电线浸泡在水中。

磁性引起的危险！

本电器含有永久磁铁，会对心脏起搏器或胰岛素泵等电子植入物造成影响。请带有电子植入式器件的人距电器及下列部件：牛奶盒、奶泡装置以及酿造单元至少保持 10 厘米以上的距离。

供货清单

本安装说明书说明了不同供货清单和安装的各种机型。

- (a) 全自动咖啡机
- (b) 安装说明书
- (c) 安装支架
- (d) 垫片
- (e) 7 个固定螺丝（银色）
- (f) 2 个固定螺丝（长型 / 黑色）
- (g) 2 个固定螺丝（短型 / 黑色）
- (h) 1 个套管（黑色）
- (i) 2 个套管（白色）
- (j) 电源线
- (l) 1 个固定螺丝（银色）
- (m) 阻尼铰链

准备内嵌式橱柜

重要： 插座必须位在安装位置以外的地方。

确保足够的通风。为此，橱柜后壁应留有间距或切开 500 × 400 毫米的开口。墙壁和在其上放置机柜的机柜底部或后壁之间应保持至少 35 毫米的间距。请勿覆盖住通风口和进气口。为此，请注意在其上或其下放置机器的安装说明书。安装在暖碟抽屉上方时，室角高度必须为 590 毫米。本机器直接安装在饰板下方时，必须确保有 200 平方厘米的通风口。全自动意式咖啡机理想的安装高度应是从地面到机器底部边缘 950 毫米的距离。

防止本机器结霜，否则其将可能受到损坏。

准备安装

1. 从包装箱中取出所有零件，并检查是否于运输过程中产生损害。若机器有损坏，请勿使用。
2. 根据安装类型注意安装尺寸。
重要： 机门有三种开度角可供选择。安装前，请根据所需的机门开度角，注意离墙的安装距离。
 - 开度角约 110°（交货状态）
 - = 离墙的安装距离至少 350 毫米
 - 开度角约 155°
 - = 离墙的安装距离至少 650 毫米，因此，应取出位在上下铰链的两个制动件。
 - 开度角约 92°（需要选购附件）
 - = 离墙的安装距离至少 100 毫米，因此，应取出位在上下铰链的两个制动件，替换成编号：00636455 的选购附件。
3. 请根据图中标示尺寸安装安装支架 (c) 并以 2 个固定螺丝 (e) 将其拧紧。安装支架必须无缝安装在机柜底部和墙壁上。（图 1）

安装机器

1. 将电源开关 (U) 置于 [○] 的位置。（图 2）
2. 将电源线插入电器固定（明显的锁制机构）。将本电器轻放于机柜中安装。将电源线连到插座上。（图 3）
重要：
 - 电器与后壁的距离必须保持至少 100 毫米。
 - 请勿将电源线弯折或挤压。
3. 将本机器推入机柜内到底。检查它是否位于机柜中央。若有必要，请重新调整。请将本机器往前拉出一些，拆下相应的垫片 (d) 并安装在左侧（上下方）。将本机器推入机柜内到底。（图 4）
4. 打开机门。取下承滴盘 (Y)。将护板 (X) 从左下往右前方拉并将其取下。将抽屉附件 (Z) 拉出并取下。（图 5）
5. 仅限电器 CMP 250:（图 6a）
首先，本电器应各用 2 个安装螺丝 (e) 和 (f) 以及 2 个套管 (i) 固定拧紧，如图所示。然后在机柜右上方用固定螺丝 (e) 和套管 (h) 固定拧紧。
仅限电器 CM 450:（图 6b）
首先，本电器应各用 2 个安装螺丝 (e) 和 (f) 以及 2 个套管 (i) 固定拧紧，如图所示。然后在机柜右上方用固定螺丝 (e) 和套管 (h) 固定拧紧。
紧接着：
 - 电器门在开度角约为 55° 打开。
 - 拧入螺丝 (l)。
 - 安装阻尼铰链 (m)。
6. 请插入护板 (X) 并用两个黑色固定螺丝 (g) 固定。（图 7）
7. 请装回承滴盘 (Y) 和附件抽屉 (Z) 并关上机门。（图 8）

仅限专业人员：（图 9）

少数的情况下，可通过修改嵌入式橱柜将嵌入式全自动咖啡机的机门卡紧固定。可调校机门。可透过调校上下方的铰链来调校机门：通过转动螺丝 (V) 调校机门深度
将上下阻尼铰链从铰链上取下。通过转动螺丝 (W) 调校机门的倾斜度和水平位置。
请装回阻尼铰链。

取出机器

1. 松开所有螺丝。
2. 轻轻拉出电器。
3. 将电源插头自插座上拔下。
4. 将电器从机柜中整个拉出。

技术数据

电气连接 (电压 - 频率)	220–240 V ~, 50 / 60 Hz
电力负载:	1600 W
最大泵压 (静态)	19 bar
水箱的最大容量 (无滤水器)	2,4 l
豆箱的最大容量	500 g
电源线的长度	1,7 m
尺寸 (高 × 宽 × 深)	CMP 250: 455 × 590 × 423 mm, CM 450: 455 × 590 × 444 mm
重量, 空机	CMP 250: 19–20 kg, CM 450: 21–22 kg
研磨机的种类	陶瓷

Proper installation

Only use the appliance indoors at room temperature and up to 2000 m above sea level.

Protect the appliance from frost, otherwise it will become damaged.

Important safety information

Please read and pay particular attention to the safety information in the instruction manual.

Read the instructions carefully and keep for future reference. Safe use of the appliance can only be ensured if it is professionally installed according to the installation instructions.

Secure any unsecured units to the wall using a standard bracket.

Risk of electric shock!

- Connect and operate the appliance only in accordance with the specifications on the rating plate. If the power cord of this appliance is damaged, it must be replaced with a special connecting line, which is available from our after-sales service.
- Do not use if the power cable or appliance is damaged. If a fault occurs, pull the mains plug or switch off the mains voltage immediately.
- To prevent hazards, the appliance may be repaired by our customer service only.
- Never immerse the appliance or mains cord in water.

Hazard due to magnetism!

The appliance contains permanent magnets which may affect electronic implants, e.g. heart pacemakers or insulin pumps. Persons wearing electronic implants must maintain a minimum distance of 10 cm from the appliance and from the following parts upon removal: milk container, milk system, water tank and brewing unit.

Included in delivery

These installation instructions describe various models that differ with regard to scope of delivery and installation.

- (a) Fully automatic coffee machine
- (b) Installation Instructions
- (c) Assembly bracket
- (d) Spacer
- (e) 7 Fastening screws (silver)
- (f) 2 Fastening screws (long/black)
- (g) 2 Fastening screws (short/black)
- (h) 1 Threaded sleeves (black)
- (i) 2 Threaded sleeves (white)
- (j) Power cable
- (l) 1 Fastening screw (silver)
- (m) Hinge dampers

Prepare built-in units

Important: The outlet must be located outside the built-in cut-out. Ensure sufficient ventilation. To do this, remove the furniture back panel or cut out an opening measuring 500 x 400 mm. There should be a gap of at least 35 mm between the wall and the cabinet base as well as the rear panel of the cabinet situated above. Ventilation slots and intake openings must not be covered. Also follow the installation instructions for the appliance situated above or below. If installing the appliance above a warming drawer, the niche height must be 590 mm. If the appliance is installed directly under a décor panel, ensure that there is a ventilation slot of at least 200 cm². The ideal installation height for the fully automatic espresso machine, measured from the floor to the lower edge of the appliance, is 950 mm.

Protect the appliance from frost, otherwise it will become damaged.

Installation preparation

1. Unpack all parts and check for any damage in transit. Never switch on damaged appliances.
2. Make note of the installation dimensions of the particular model.

Important: Three opening angles can be selected for the door. Depending on the opening angle required, the mounting distance to the wall should be observed before installation.

 - Opening angle approx. 110° (as delivered)
 - = Mounting distance to the wall at least 350 mm
 - Opening angle approx. 155°
 - = Mounting distance to the wall at least 650 mm. For this purpose, remove the two limits on the upper and lower hinges.
 - Opening angle approx. 92° (requires special accessory)
 - = mounting distance to the wall at least 100 mm. For this purpose, replace the two limits on the top and bottom hinges with special accessory no. 00636455.
3. Position the assembly bracket (c) as shown in the dimensions in the illustration and tighten with 2 attachment screws (e). The assembly bracket must be placed against the cabinet base and wall without a gap. (Fig.1)

Installing the appliance

1. Set the mains switch (U) [O]. (Fig.2)
2. Plug the connecting cable firmly into the appliance (clicks into place). Put the appliance to be plugged in just on to the edge of the unit. Insert the power cord into the socket. (Fig.3)

Important:

 - The distance between the appliance and the rear wall must be at least 100 mm.
 - The connecting cable may not be kinked or crimped.
3. Slide the appliance into the unit until it clicks into place. Check that the appliance is in the middle. If necessary, align the appliance. To do so, pull the appliance out a little, remove the appropriate spacers (d) and attach to the left side (top and bottom). Slide the appliance into the unit until it clicks into place. (Fig.4)
4. Open the appliance door. Remove the drip tray (Y). Pull the cover (X) on the below left toward the right front and remove. Pull out the accessories drawer (Z) and put to one side. (Fig.5)
5. **For the CMP 250 appliance only: (Fig.6a)**

First, secure the appliance using 2 fastening screws (e) each and (f) the 2 sleeves (i) as shown. Lastly, screw in the fastening screw (e) and sleeve (h) on the cabinet's top right.

For the CM 450 appliance only: (Fig.6b)

First, secure the appliance using 2 fastening screws (e) each and (f) the 2 sleeves (i) as shown. Lastly, screw in the fastening screw (e) and sleeve (h) on the cabinet's top right.

Then:

 - Open the door at approx. 55°.
 - Screw the screws in (l) .
 - Re-fit the hinge dampers (m).
6. Insert the cover (X) and secure using both black fastening screws (g). (Fig.7)
7. Replace the drip tray (Y) and accessories drawer (Z) and close the appliance door. (Fig.8)

Only for the expert: (Fig.9)

In very few cases, the door of the fitted fully automatic machine can jam due to warpage in the built-in units. The door can be adjusted. To do this, adjust the hinges at the top and bottom:

Adjust the depth of the door by turning the screws **(V)**

Remove the top and bottom hinge dampers from the hinges. Turn the screws **(W)** to adjust the inclination and horizontal position of the doors.

Re-fit the hinge dampers.

Removing the appliance

1. Loosen all screws.
2. Gently pull out appliance.
3. Disconnect the mains plug.
4. Remove the appliance entirely from the cabinet.

Technical data

Electrical connection (voltage – frequency)	220–240 V ~, 50 / 60 Hz
Power rating	1600 W
Maximum static pump pressure	19 bar
Maximum capacity of the water tank (without filter)	2,4 l
Maximum capacity of the coffee bean container	500 g
Length of the power cable	1,7 m
Dimensions (H x W x D)	CMP 250: 455 x 590 x 423 mm, CM 450: 455 x 590 x 444 mm
Weight, empty	CMP 250: 19–20 kg, CM 450: 21–22 kg
Type of grinder	Ceramic