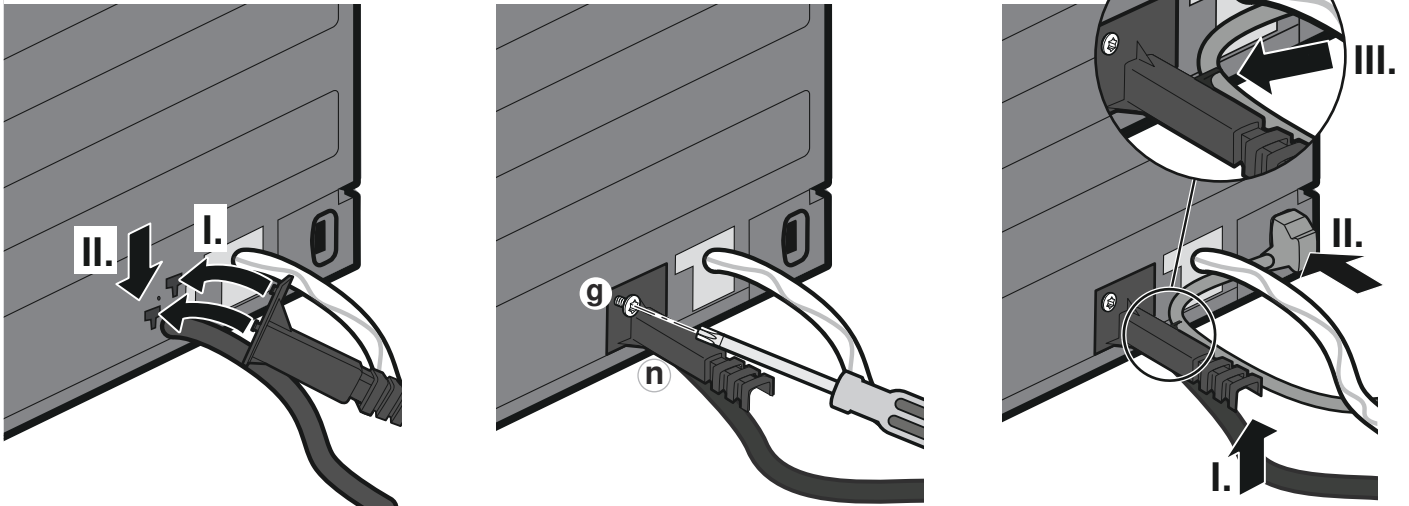
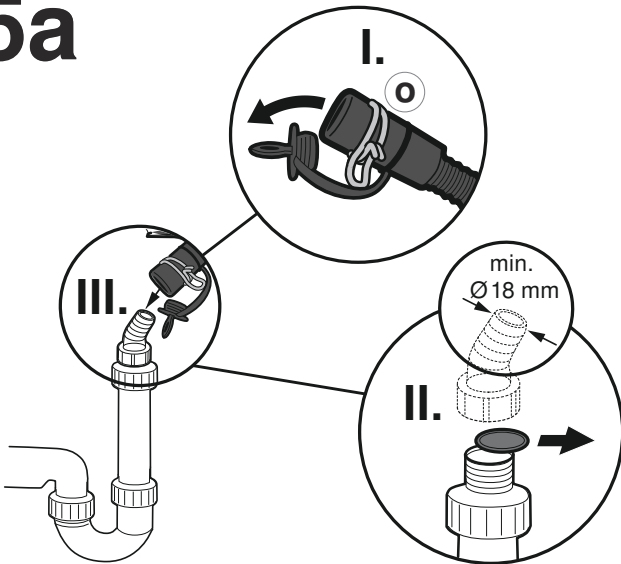


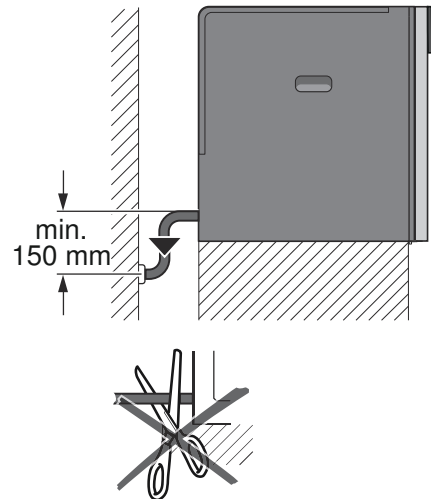
4



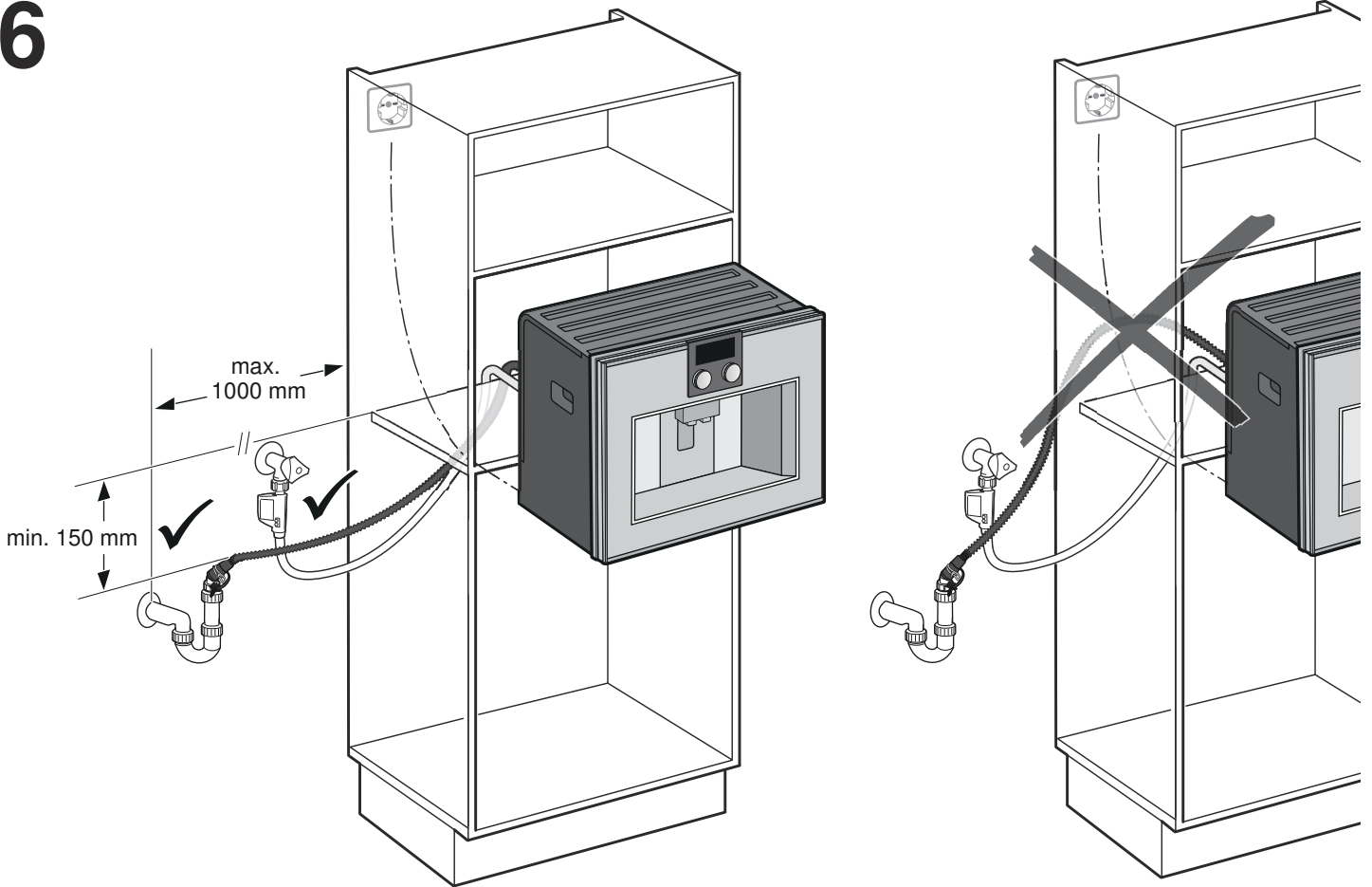
5a



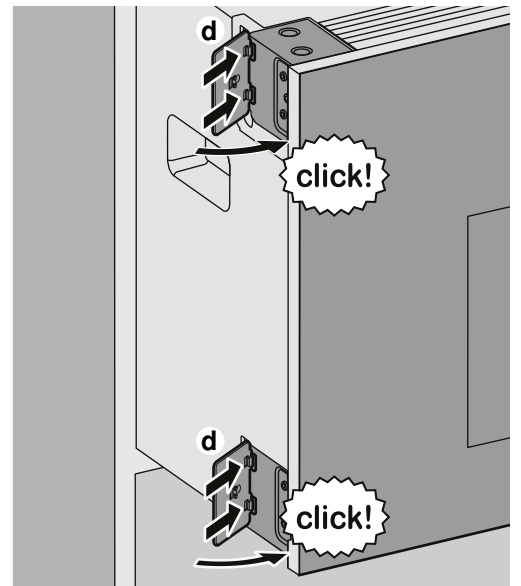
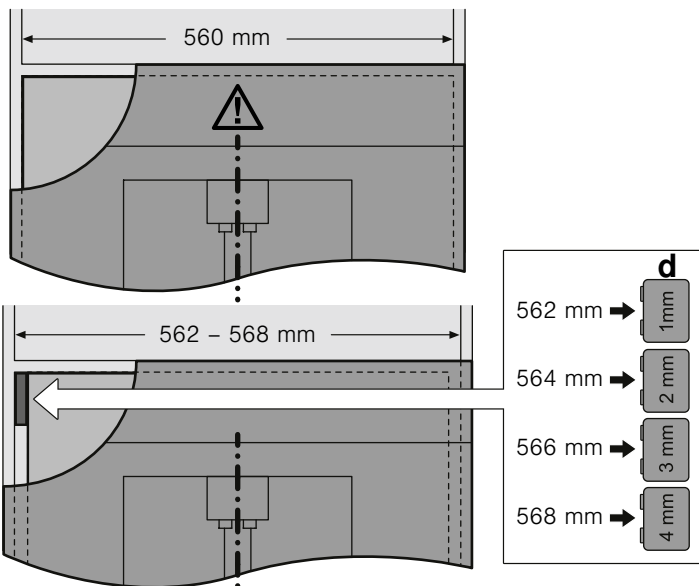
5b



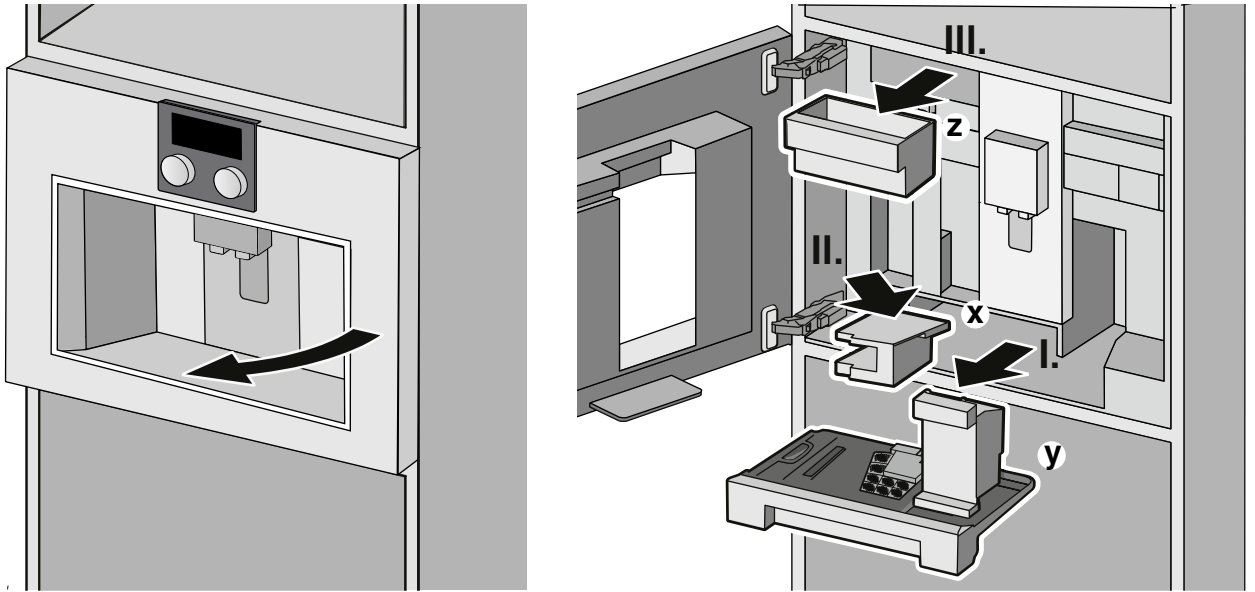
6



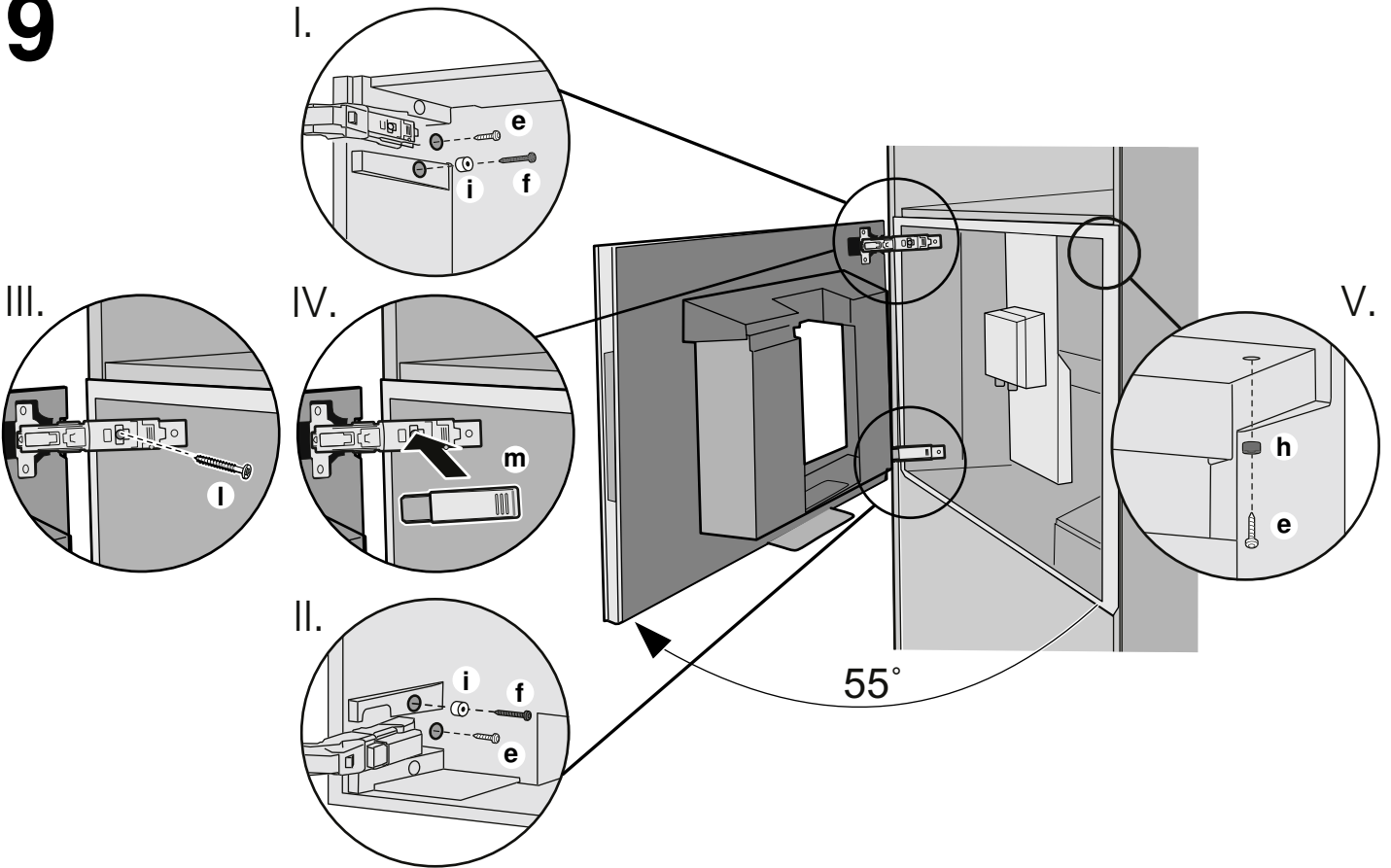
7



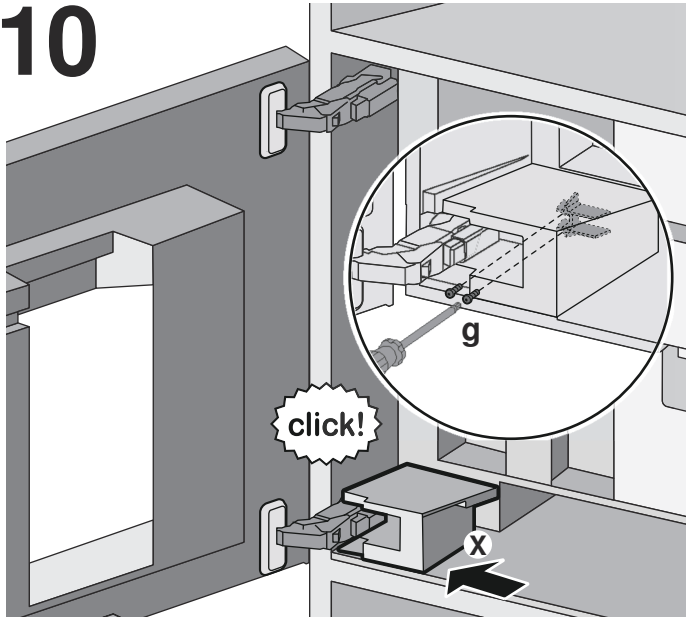
8



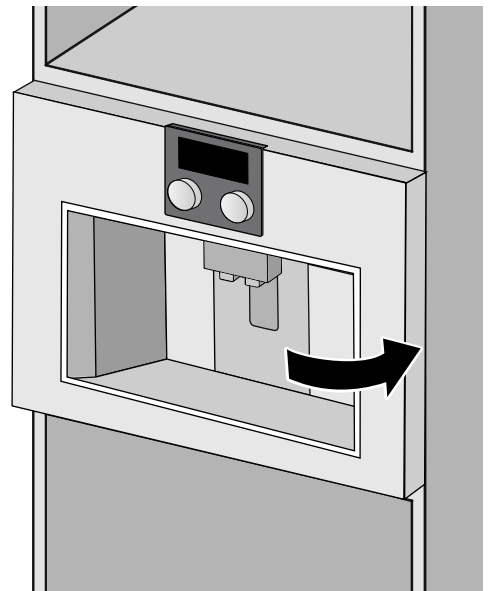
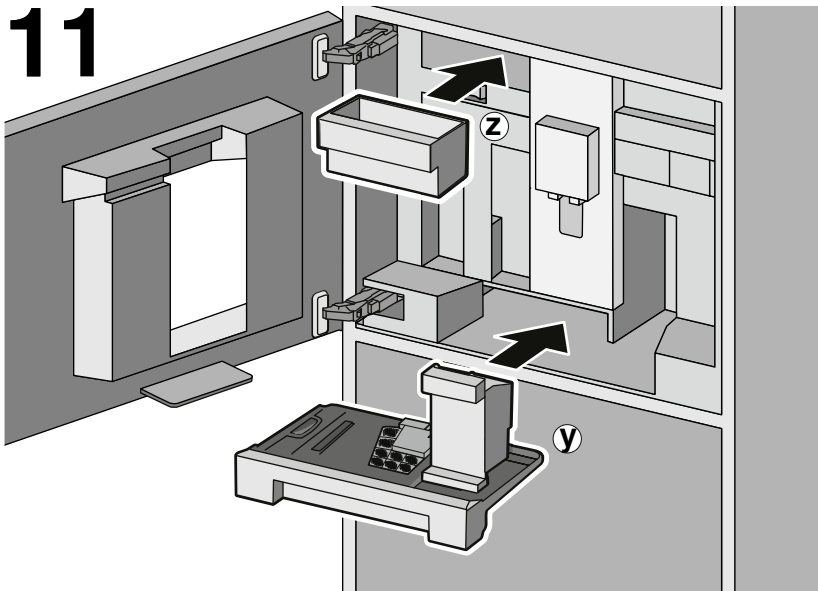
9



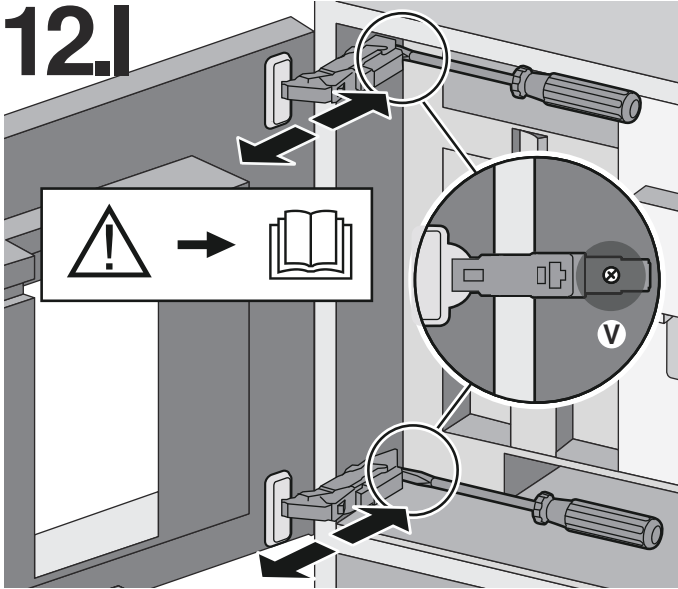
10



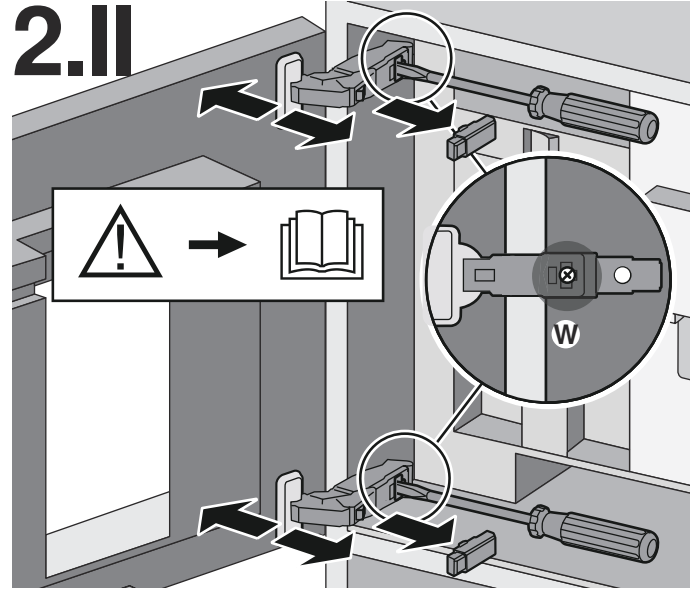
11



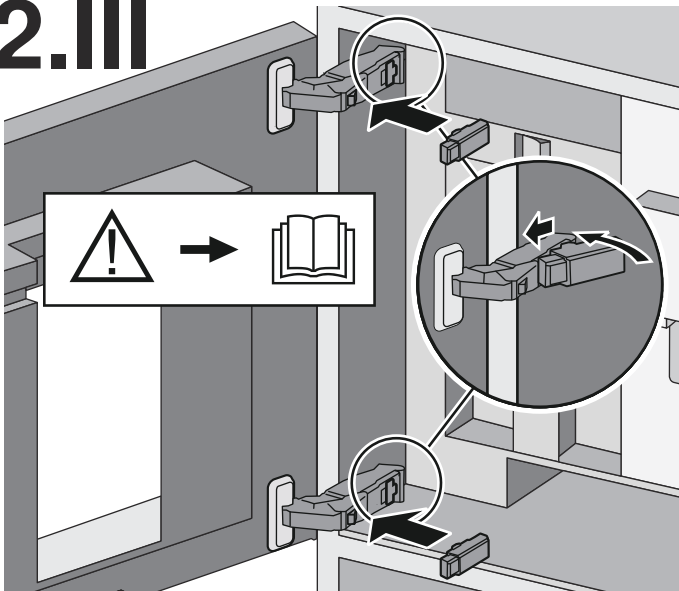
12.I



12.II



12.III



正确安装

仅限在室温及海拔 2000 米以下的室内使用本电器。

防止本机器和软管结霜，否则其将可能受到损坏。

重要安全须知

请务必阅读并注意使用说明书当中的安全注意事项。

请仔细阅读使用说明书并将其妥善保存。只有按照安装说明书进行的专业安装，才能保证使用安全。

仅限合格的技术人员进行自来水连接。

请勿将本机器接通热水连接。

本机器应连接到冷水管（自来水供应），必须确保水循环。

供水必须承受住操作压力。水压必须位在 0.05 兆帕 (0.5 巴) 和 1 兆帕 (10 巴) 之间。水压过高时，请安装减压阀。

未固定的橱柜必须以标准的角度固定在墙上。

有电击危险！

- 仅可根据铭牌上的说明连接和操作本机器。若本机器的电源线损坏，请务必向我们客户服务购买专门的电源线更换。
- 进行水管连接或作业时，请断开本机器的电源。请务必遵守各个国家、地方电力供应商和自来水管厂的法律规定。只有在完成自来水连接后才可执行电气连接。
- 电线和电器必须完好无损方可使用。故障发生时，请立即拔下电源插头或关闭电源电压。
- 电器修理事宜仅由我们的客户服务进行，才能避免危险发生。
- 请勿将电器或电线浸泡在水中。

磁性引起的危险！

本电器含有永久磁铁，会对心脏起搏器或胰岛素泵等电子植入物造成影响。请带有电子植入式器件的人距电器及下列部件：牛奶盒、奶泡装置以及酿造单元至少保持 10 厘米以上的距离。

供货清单

本安装说明书说明了不同供货清单和安装的各种机型。

- (a) 全自动咖啡机
- (b) 安装说明书
- (c) 安装支架
- (d) 垫片
- (e) 7 个固定螺丝（银色）
- (f) 2 个固定螺丝（长型 / 黑色）
- (g) 3 个固定螺丝（短型 / 黑色）
- (h) 1 个套管（黑色）
- (i) 2 个套管（白色）
- (k) 电源线
- (l) 1 个固定螺丝（银色）
- (m) 阻尼铰链
- (n) 软管路由
- (o) 软管夹

自来水和排水连接的一般注意事项

本机器不得安装在排水连接超过 1000 毫米远的地方。自来水连接可以使用专门的管线 (KD. Nr. 00357081) 延长约 3 米。

供水管和家用自来水连接之间必须安装一个截止阀，以便在必要时中断供水。该截止阀必须在安装后可以随手触及。

本机器应符合 DIN 标准，不得在没有止回阀的情况下进行连接。

需要有一个带有 3/4" (26.4 毫米) 螺纹管节的水龙头来进行连接。

若未有该装置，则本机器仅限由授权的管道工进行连接。

水质必须符合各个国家的饮用水标准，才得以在本机器上使用。

家用供水及整台机器的连接和连到机器上的供水装置必须符合各个国家的相关规定。

排水连接必须低于机器底部边缘至少 150 毫米。

不得将排水管延长。

机器安装位置距离主排水口（虹吸管）太远时，务必调整排水系统（家中管线系统）。

准备内嵌式橱柜

重要： 插座必须位在安装位置以外的地方。

确保足够的通风。为此，橱柜后壁应留有间距或切开 500 × 400 毫米的开口。墙壁和在其上放置机器的机柜底部或后壁之间应保持至少 35 毫米的间距。请勿覆盖住通风口和进气口。为此，请注意在其上或其下放置机器的安装说明书。安装在暖碟抽屉上方时，室角高度必须为 590 毫米。本机器直接安装在饰板下方时，必须确保有 200 平方厘米的通风口。全自动意式咖啡机理想的安装高度应是从地面到机器底部边缘 950 毫米的距离。

防止本机器结霜，否则其将可能受到损坏。

准备安装

1. 从包装箱中取出所有零件，并检查是否于运输过程中产生损害。若机器有损坏，请勿使用。
2. 根据安装类型注意安装尺寸。
 - 重要：** 机门有三种开度角可供选择。安装前，请根据所需的机门开度角，注意离墙的安装距离。
 - 开度角约 110° (交货状态)
 - = 离墙的安装距离至少 350 毫米
 - 开度角约 155°
 - = 离墙的安装距离至少 650 毫米，因此，应取出位在上下铰链的两个制动件。
 - 开度角约 92° (需要选购附件)
 - = 离墙的安装距离至少 100 毫米，因此，应取出位在上下铰链的两个制动件，替换成编号：00636455 的选购附件。
3. 橱柜后壁的凹槽必须为 120 毫米，必要时缩短橱柜底部。(图 1)
4. 请根据图中标示尺寸安装安装支架 (c) 并以 2 个固定螺丝 (e) 将其拧紧。安装支架必须无缝安装在机柜底部和墙壁上。(图 1)
5. 必要时，软管路由 (n) 应与橱柜边缘相匹配。(图 3)
6. 软管路由 (n) 应以固定螺丝 (g) 拧在机器的后壁上。(图 4)
7. 将排水软管插入软管路由 (m) 内。
8. 将软管直接铺设在橱柜地板上并延着边缘向下移动。(图 5b)
9. 打开自来水连接的水龙头，流入约 10 升的水，以清洁家中的水管。然后关上水龙头。

安装机器

1. 将电源开关 (U) 置于 [O] 的位置。(图 2)
2. 将电源线 (k) 插入机器固定 (明显的锁制机构)。(图 4)
3. 将电源线 (k) 夹入软管路由 (n)。
4. 将电源线、供水管和排水管通过机柜向下移动。
 - 重要：**
 - 机器与后壁的距离必须保持至少 100 毫米。
 - 请勿将电源线和软管弯折、挤压或者纠结。
5. 将本机器推入机柜内到底。检查它是否位于机柜中央。若有必要，请重新调整。请将本机器往前拉出一些，拆下相应的垫片 (d) 并安装在左侧（上下方）。将本机器推入机柜内到底。(图 7)
6. 将本机器水平和垂直对齐。本机器在所有方向上允许有 1° (2%) 的倾斜度，请勿超过此规定！
7. 打开机门。取下承滴盘 (Y)。将护板 (X) 从左下往右前方拉并将其取下。将抽屉附件 (Z) 拉出并取下。(图 8)
8. 首先，本机器应各用 2 个安装螺丝 (e) 和 (f) 以及 2 个套管 (i) 固定拧紧，如图所示。然后在机柜右上方用固定螺丝 (e) 和套管 (h) 固定拧紧。(图 9)
 - 紧接着：
 - 机门在开度角约为 55° 打开。
 - 拧入螺丝 (l)。
 - 安装阻尼铰链 (m)。

9. 请插入护板 (X) 并用两个黑色固定螺丝 (g) 固定。(图 10)

10. 请装回承滴盘 (Y) 和附件抽屉 (Z) 并关上机门。(图 11)

仅限专业人员: (图 12)

少数的情况下, 可通过修改嵌入式橱柜将嵌入式全自动咖啡机的机门卡紧固定。可透校机门。可透过调校上下方的铰链来调校机门:

通过转动螺丝 (V) 调校机门深度

将上下阻尼铰链从铰链上取下。通过转动螺丝 (W) 调校机门的倾斜度和水平位置。

请装回阻尼铰链。

供水连接

△ 有电击危险!

电源插头不得插入插座内。

机器仅限接通冷水连接。

请注意, 请勿将供水管弯折、挤压或者纠结。Aqua Stop 自动侦测漏水装置的塑料壳内含有电动阀, 不得将其浸泡在水中。供水管有电源线, 因此请勿将供水管剪断。(图 6)

1. 将带有 Aqua Stop 自动侦测漏水装置的供水管拧在水龙头上。
2. 请慢慢地将水龙头完全打开。
3. 检查连接和供水管的密封性。

排水连接

家中的排水系统必须要有一个排气孔。

重要: 在虹吸管上必须要有一个相应的连接。请注意, 请勿将排水管弯折、挤压或者纠结。检查排水连接的盖板是否阻碍排水, 必要时将其移除。(图 5a)

1. 取下排水管盖板。
2. 请将软管夹安装在排水管上。
3. 将排水管移到排水连接上。
4. 通过软管夹可确保排水管和排水连接的连接。
5. 检查连接和排水的密封性。
6. 检查排水, 将一个装有约 0.5 升水的容器 (如水壶) 慢慢倒入承滴盘。倒入的水必须完全流尽。
水未流尽时, 请按照安装说明书之说明检查软管布线和排水连接。

电气连接

△ 火灾危险!

使用延长线或排插将造成其过载, 使其变得非常热。请勿使用延长线或排插。

1. 将电源开关 (U) 置于 [O] 的位置。
2. 将电源线连到插座上。

重要: 安装机器后, 插座必须随手触及。

供水故障

为了确保供水足够, 应定期清洁 Aqua Stop 自动侦测漏水装置的滤网。

1. 关上水龙头。
2. 将带有 Aqua Stop 自动侦测漏水装置的供水管拧在水龙头上。
3. 用小刷子或毛刷清洁滤网。(图 6)
重要: 不得将滤网移除。
4. 将带有 Aqua Stop 自动侦测漏水装置的供水管拧在水龙头上。
5. 请慢慢地将水龙头完全打开。
6. 检查连接和供水管的密封性。

本机器若定期进行保养并清洁, 可避免故障的发生。

取出机器

1. 有关执行排空程序的信息, 请参见使用说明书。
2. 关上水龙头。
3. 将电源插头自插座上拔下。
4. 取下供水管和排水管。
5. 有关松开所有螺丝的信息, 请参见安装说明书。
6. 轻轻拉出机器。
7. 将机器从机柜中整个拉出。

技术数据

电气连接 (电压 - 频率)	220–240 V ~, 50 / 60 Hz
电力负载:	1600 W
最大泵压 (静态)	19 bar
水箱的最大容量 (无滤水器)	2,4 l
豆箱的最大容量	500 g
电源线的长度	1,7 m
尺寸 (高 x 宽 x 深)	455 x 590 x 444 mm
重量, 空机	22–23 kg
研磨机的种类	陶瓷

Proper installation

Only use the appliance indoors at room temperature and up to 2000 m above sea level.

Protect the appliance and hoses from frost. Otherwise they may become damaged.

Important safety information

Please read and pay particular attention to the safety information in the instruction manual.

Read the instructions carefully and keep for future reference. Safe use of the appliance can only be ensured if it is professionally installed according to the installation instructions.

The fixed water connection should be installed only by a qualified technician.

Do not connect the appliance to a hot water connection.

Connect the appliance to a cold water connection (fresh water supply). Circulation of the water must be guaranteed.

The water supply must withstand the operating pressure. The water pressure must be between 0.05 MPa (0.5 bar) and 1 MPa (10 bar). If the water pressure is higher than this, a pressure-reducing valve must be installed upstream. The hygiene regulations must be observed during installation and operation.

Secure any unsecured units to the wall using a standard bracket.

Risk of electric shock!

- Connect and operate the appliance only in accordance with the specifications on the rating plate. If the power cord of this appliance is damaged, it must be replaced with a special connecting line, which is available from our after-sales service.
- When connecting or working on the water pipe, disconnect the appliance from the mains power supply. The statutory provisions of the individual country, the local power supplier and the water supply company must be observed. The electrical connection should not be made until after the water connection.
- Do not use if the power cable or appliance is damaged. If a fault occurs, pull the mains plug or switch off the mains voltage immediately.
- To prevent hazards, the appliance may be repaired by our customer service only.
- Never immerse the appliance or mains cord in water.

Hazard due to magnetism!

The appliance contains permanent magnets which may affect electronic implants, e.g. heart pacemakers or insulin pumps. Persons wearing electronic implants must maintain a minimum distance of 10 cm from the appliance and from the following parts upon removal: milk container, milk system, water tank and brewing unit.

Included in delivery

These installation instructions describe various models that differ with regard to scope of delivery and installation.

- (a) Fully automatic coffee machine
- (b) Installation Instructions
- (c) Assembly bracket
- (d) Spacer
- (e) 7 fastening screws (silver)
- (f) 2 fastening screws (long/black)
- (g) 3 fastening screws (short/black)
- (h) 1 threaded sleeve (black)
- (i) 2 threaded sleeves (white)
- (k) Connecting cable
- (l) 1 fastening screw (silver)
- (m) Hinge dampers
- (n) Hose guide
- (o) Hose clamp

General information for water and waste water connection

The appliance should not be installed more than 1000 mm away from a waste water connection. The water connection can be extended by 3 m with a special pipe (KD. Nr. 00357081).

A shut-off valve must be installed between the water inlet hose and the domestic water connection so that the water supply can be cut off if necessary. The shut-off valve must be freely accessible following installation.

The appliance complies with the DIN standards and must not be connected without a backflow preventer.

A tap with a 3/4" (26.4 mm) screwed connection is required for connection. If not available, the appliance may be connected only by an approved technician.

The water quality must comply with the drinking water regulations of the individual country in which the appliance is operated.

The connection to the domestic water supply and all equipment and devices used to supply the water to the appliance must comply with the applicable provisions of the individual country.

The waste water connection must be min. 150 mm below the lower edge of the appliance.

The waste water hose must not be extended.

If the installation location of the appliance is too far away from the main drainage point (siphon), the drainage system (domestic installation) must be adapted.

Prepare built-in units

Important: The outlet must be located outside the built-in cut-out. Ensure sufficient ventilation. To do this, remove the furniture back panel or cut out an opening measuring 500 x 400 mm. There should be a gap of at least 35 mm between the wall and the cabinet base as well as the rear panel of the cabinet situated above. Ventilation slots and intake openings must not be covered. Also follow the installation instructions for the appliance situated above or below. If installing the appliance above a warming drawer, the niche height must be 590 mm. If the appliance is installed directly under a décor panel, ensure that there is a ventilation slot of at least 200 cm². The ideal installation height for the fully automatic espresso machine, measured from the floor to the lower edge of the appliance, is 950 mm.

Protect the appliance from frost, otherwise it will become damaged.

Installation preparation

1. Unpack all parts and check for any damage in transit. Never switch on damaged appliances.
2. Make note of the installation dimensions of the particular model.
Important: Three opening angles can be selected for the door. Depending on the opening angle required, the mounting distance to the wall should be observed before installation.
 - Opening angle approx. 110° (as delivered)
= Mounting distance to the wall at least 350 mm
 - Opening angle approx. 155°
= Mounting distance to the wall at least 650 mm. For this purpose, remove the two limits on the upper and lower hinges.
 - Opening angle approx. 92° (requires special accessory)
= mounting distance to the wall at least 100 mm. For this purpose, replace the two limits on the top and bottom hinges with special accessory no. 00636455.
3. The rear wall of the furniture requires a recess of 120 mm. Poss. shorten the bottom of the furniture. **(Fig.1)**
4. Position the assembly bracket **(c)** as shown in the dimensions in the illustration and tighten with 2 attachment screws **(e)**. The assembly bracket must be placed against the cabinet base and wall without a gap. **(Fig.1)**
5. The hose guide **(n)** should be adapted to the edge of the furniture if necessary. **(Fig.3)**
6. Screw the hose guide **(n)** with the fastening screw **(g)** to the rear wall of the appliance. **(Fig.4)**
7. Insert the waste water hose in the hose guide **(m)**.
8. Place the hose straight on the bottom of the furniture and run down over the edge. **(Fig.5b)**
9. Open the tap on the water connection and draw off approx. 10 litres of water to clean the domestic water pipe. Then turn off the tap.

Installing the appliance

1. Set the mains switch **(U)** [O]. **(Fig.2)**
2. Plug the connecting cable **(k)** firmly into the appliance (clicks into place). **(Fig.4)**
3. Attach the connecting cable **(k)** on the hose guide **(n)**.
4. Run the connecting cable, the water inlet hose and the waste water hose through the cabinet to the back.

Important:

- The distance between the appliance and the rear wall must be at least 100 mm.
 - The connecting cable and hoses should not be kinked, crushed or twisted.
5. Slide the appliance into the unit until it clicks into place. Check that the appliance is in the middle. If necessary, align the appliance. To do so, pull the appliance out a little, remove the appropriate spacers **(d)** and attach to the left side (top and bottom). Slide the appliance into the unit until it clicks into place. **(Fig.7)**
 6. Adjust the appliance so it is aligned horizontally and vertically. The appliance should not stand at an angle of more than 1° (2%) in any direction!
 7. Open the appliance door. Remove the drip tray **(Y)**. Pull the cover **(X)** on the below left toward the right front and remove. Pull out the accessories drawer **(Z)** and put to one side. **(Fig.8)**
 8. First secure the appliance using 2 fastening screws **(e)** and **(f)** each as well as the 2 sleeves **(i)** as shown. Lastly screw in securely using one fastening screw **(e)** and sleeve **(h)** on the top right of the cabinet. **(Fig.9)**
Then:
 - Open the door at an angle of approx. 55°.
 - Screw in the screws **(l)**.
 - Fit the hinge dampers **(m)**.
 9. Insert the cover **(X)** and secure using both black fastening screws **(g)**. **(Fig.10)**
 10. Replace the drip tray **(Y)** and accessories drawer **(Z)** and close the appliance door. **(Fig.11)**

Only for the expert: (Fig.12)

In very few cases, the door of the fitted fully automatic machine can jam due to warpage in the built-in units. The door can be adjusted. To do this, adjust the hinges at the top and bottom: Adjust the depth of the door by turning the screws **(V)**
Remove the top and bottom hinge dampers from the hinges. Turn the screws **(W)** to adjust the inclination and horizontal position of the doors.
Re-fit the hinge dampers.

Water connection

⚠ Risk of electric shock!

The mains plug must not be inserted in the socket.

Only connect the appliance to the cold water connection.

Check that the water inlet hose is not kinked, crushed or twisted. The plastic housing in the AquaStop contains an electric valve so do not immerse in water. The water inlet hose contains the connecting lines so do not cut through this hose. **(Fig.6)**

1. Screw the water inlet hose with the AquaStop to the tap.
2. Slowly turn on the tap so it is fully open.
3. Check the connections and water inlet hose for leaks.

Drainage connection

The domestic waste water system must be vented.

Important: The siphon must have a suitable connection. Check that the waste water hose is not kinked, crushed or twisted. Check that there is not a cover in the waste water connection preventing drainage of the water. Remove if necessary. **(Fig.5a)**

1. Remove the cap from the waste water hose.
2. Place the hose clamp on the waste water hose.
3. Slide the waste water hose onto the waste water connection.
4. Use the hose clamp to secure attachment of the waste water hose to the waste water connection.
5. Check the connections and waste water connection for leaks.
6. Check the water drainage. To do so, slowly pour approx. 0.5 l water from a container, e.g. jug, into the drip tray. The water must drain off completely.

If the water fails to drain off, check installation of the hose and the waste water connection according to the information in these installation instructions.

Electrical connection

⚠ Risk of fire!

Overloading may occur if extension leads or multiple sockets are used, possibly causing them to become very hot. Do not use extension leads or multiple sockets.

1. Set the mains switch **(U)** to [O].
2. Insert the connecting cable in the socket.

Important: The socket must be freely accessible after the appliance has been installed.

Fault in water flow

To ensure an adequate water flow, the filter in the AquaStop should be cleaned regularly.

1. Turn off the tap.
2. Unscrew the water inlet hose with the AquaStop from the tap.
3. Clean the filter with a small brush. **(Fig.6)**
Important: Do not remove the filter under any circumstances.
4. Screw the water inlet hose with the AquaStop to the tap.
5. Slowly turn on the tap so it is fully open.
6. Check the connections and water inlet hose for leaks.

If the appliance is cleaned and maintained regularly, this will avoid faults.

Removing the appliance

1. Run emptying program. See instruction manual.
2. Turn off the tap.
3. Disconnect the mains plug.
4. Remove the water inlet and water outlet hoses.
5. Remove all screws. See installation.
6. Gently pull out appliance.
7. Pull the appliance right out from the cabinet.

Technical data

Electrical connection (voltage – frequency)	220–240 V ~, 50 / 60 Hz
Power rating	1600 W
Maximum static pump pressure	19 bar
Maximum capacity of the water tank (without filter)	2,4 l
Maximum capacity of the coffee bean container	500 g
Length of the power cable	1,7 m
Dimensions (H x W x D)	455 x 590 x 444 mm
Weight, empty	22–23 kg
Type of grinder	Ceramic