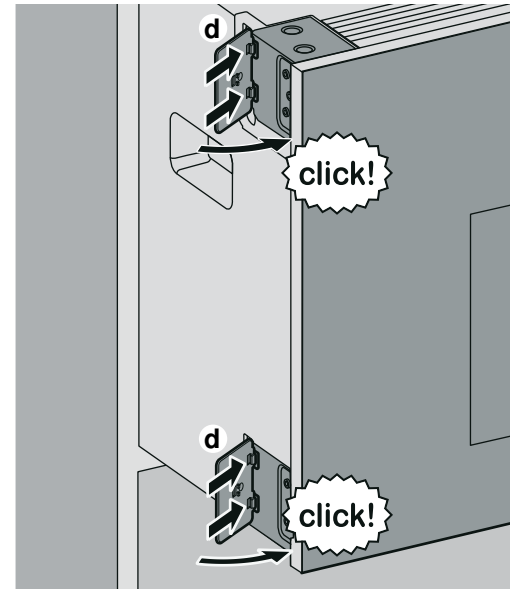
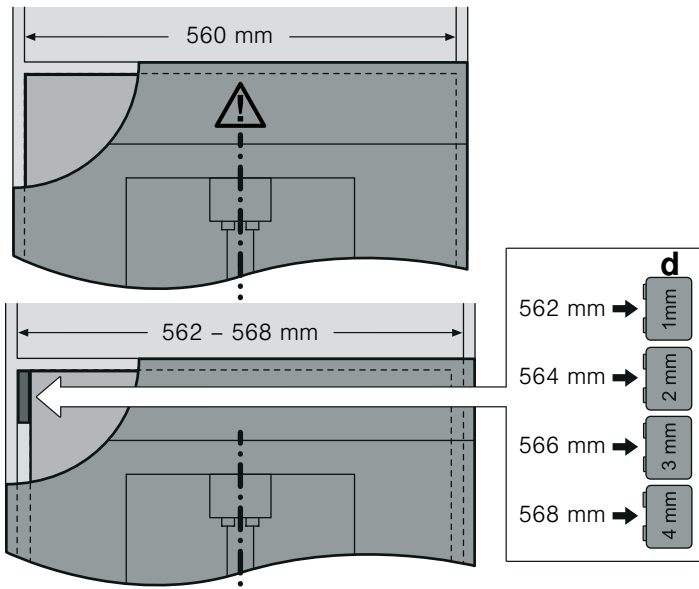
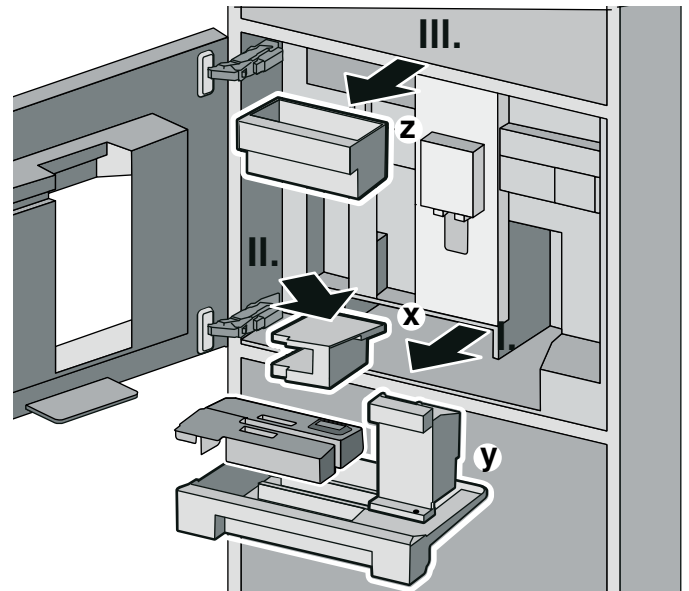
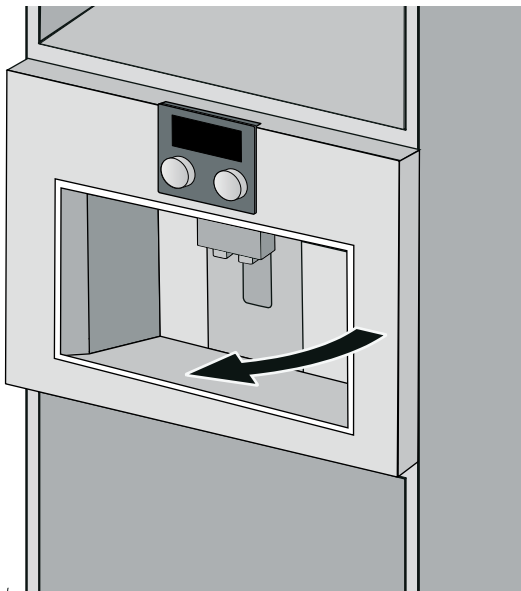


4

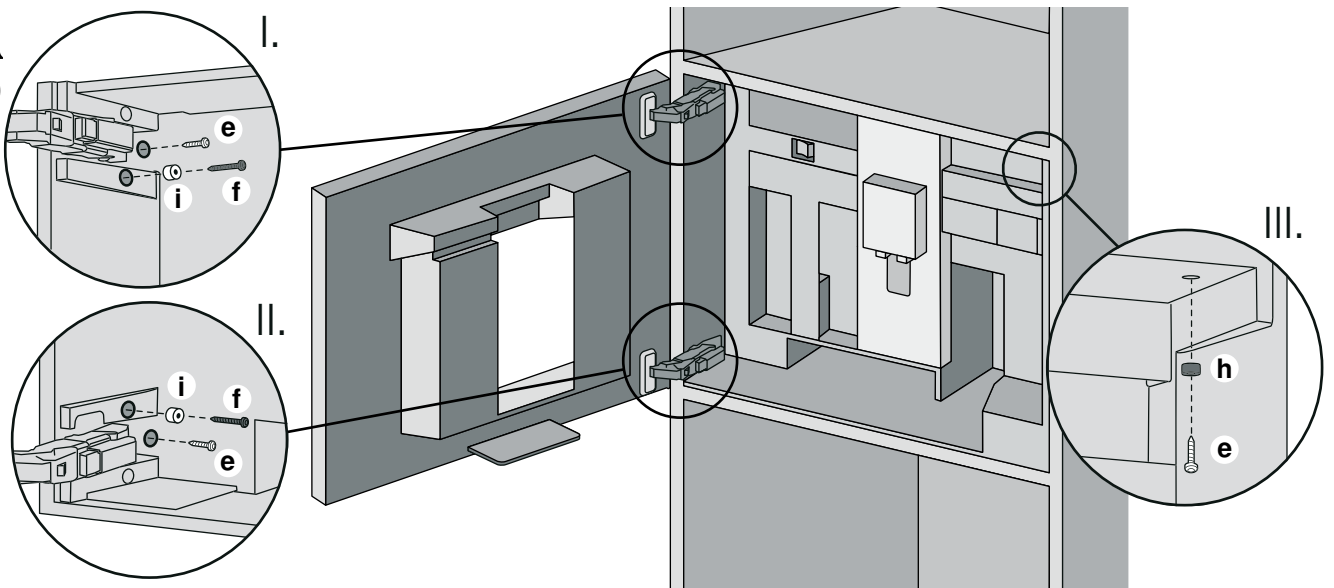


5



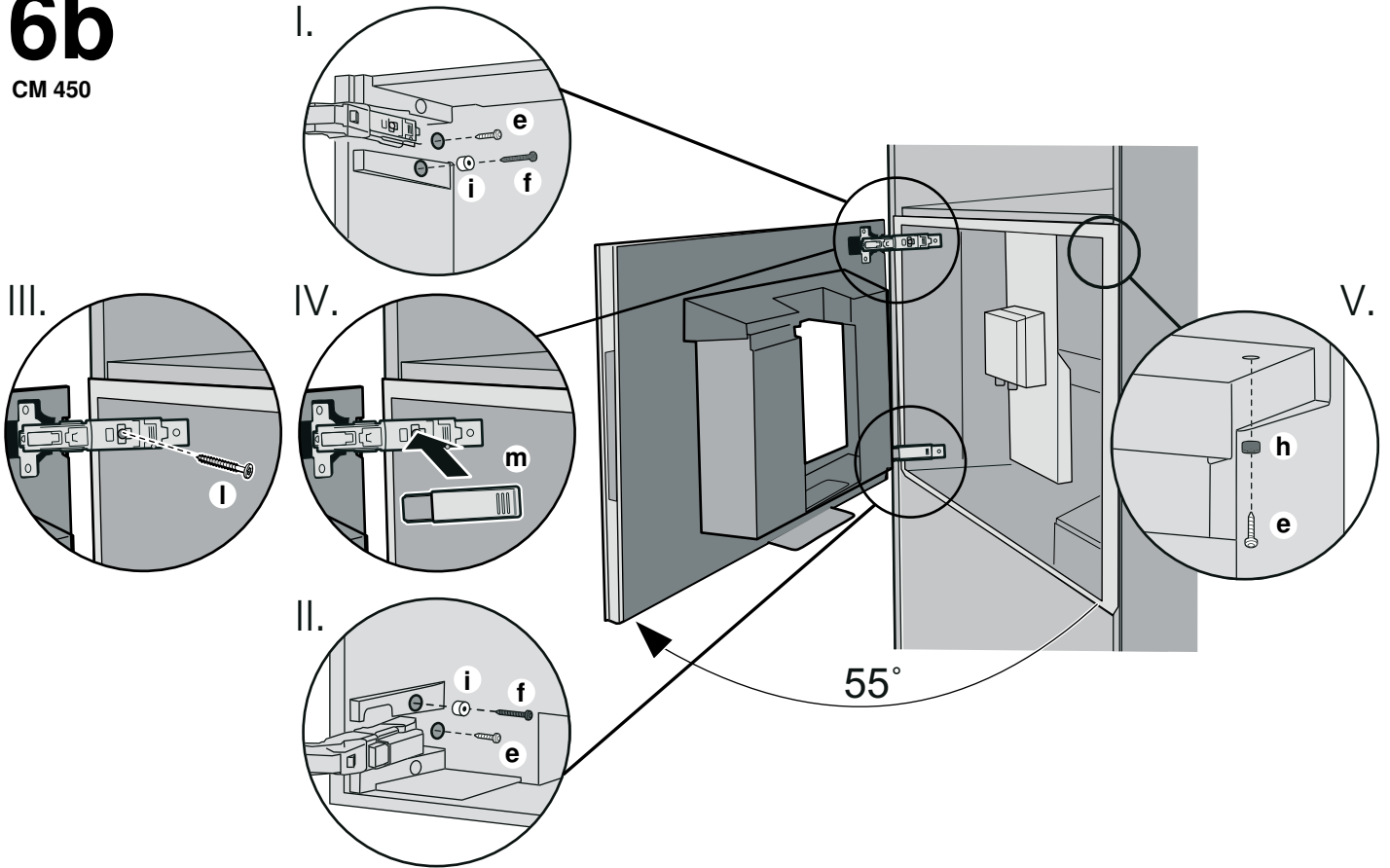
6a

CMP 250

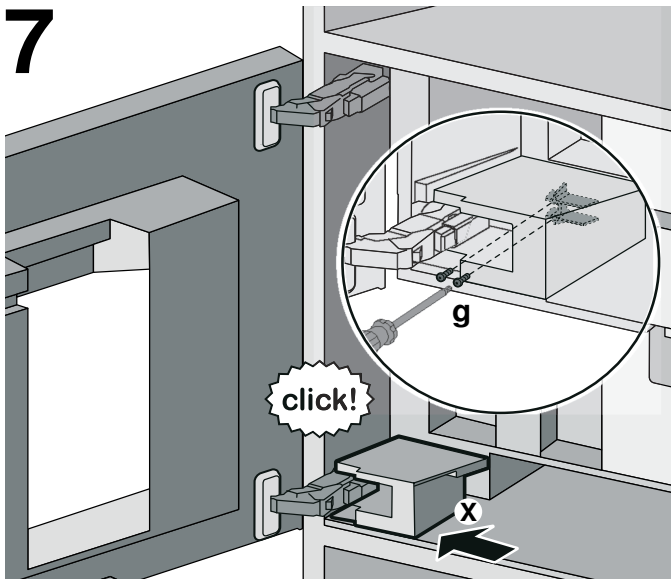


6b

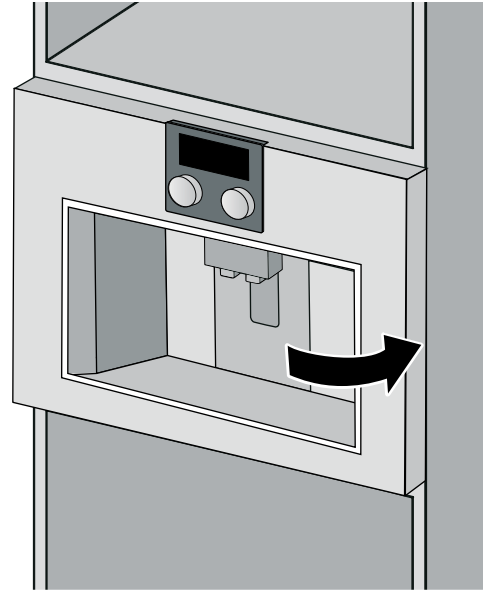
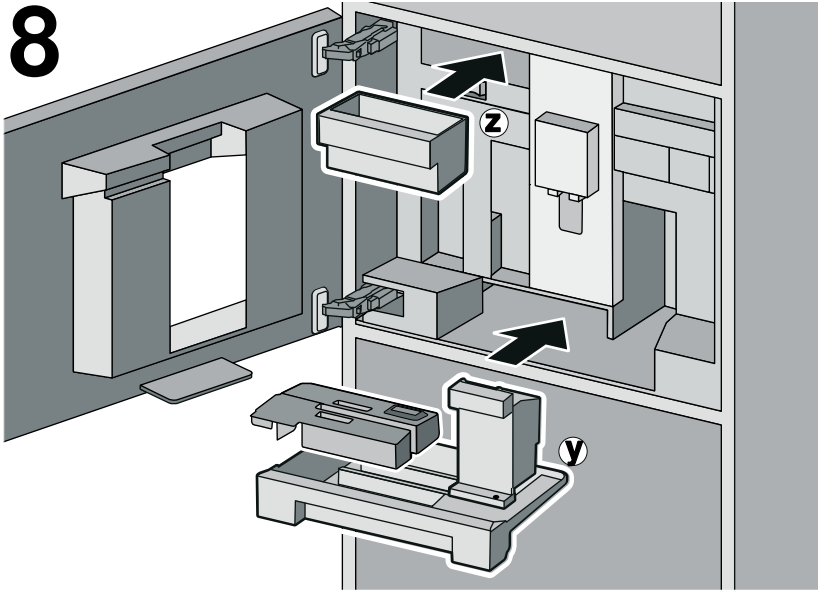
CM 450



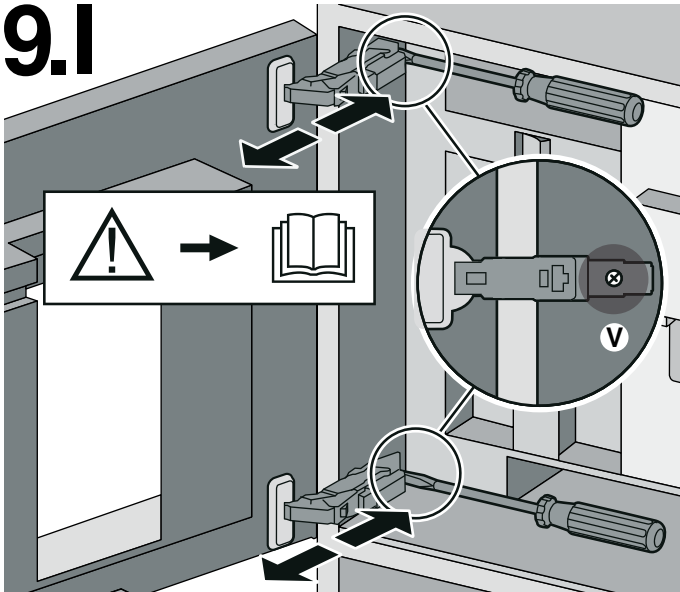
7



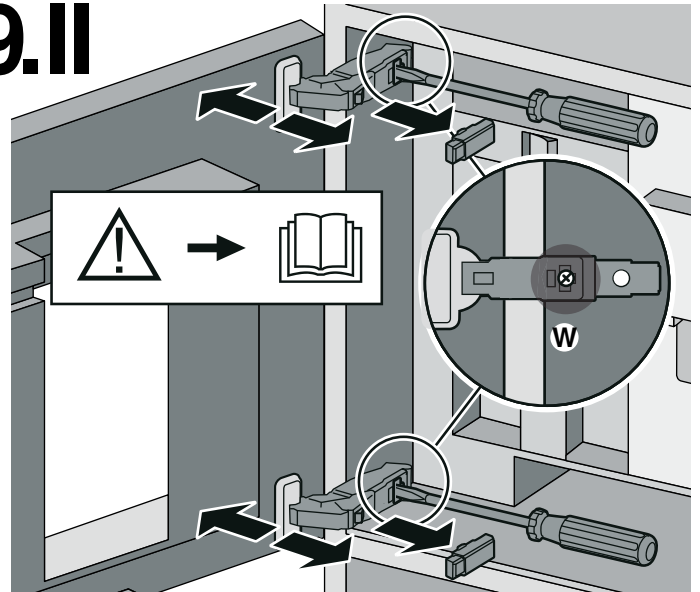
8



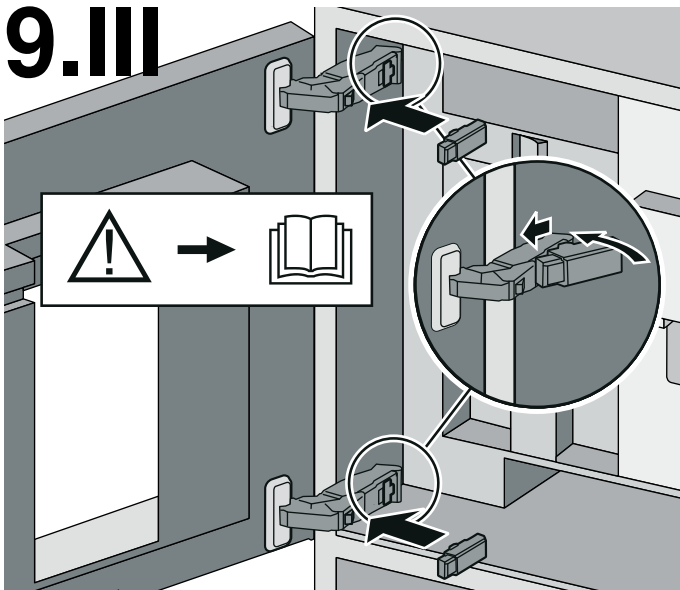
9.I



9.II



9.III



正确安装

仅限在室温及海拔2000米以下的室内使用本电器。

防止本电器结霜，否则其将可能受到损坏。

重要安全须知

请务必阅读并注意使用说明书当中的安全注意事项。

请仔细阅读使用说明书并将其妥善保存。只有按照安装说明书进行的专业安装，才能保证使用安全。

未固定的橱柜必须以标准的角度固定在墙上。

有电击危险!

- 仅可根据铭牌上的说明连接和操作本机器。若本机器的电源线损坏，请务必向我们客户服务购买专门的电源线更换。
- 若本电器或电源线遭到损坏，请勿强行使用。发生故障时，请立即拔除电源插头或关闭电源电压。
- 为杜绝意外发生，仅限由我们的客户服务进行维修。
- 切勿将本电器或电源线浸入水中。

磁性引起的危险!

本电器含有永久磁铁，会对心脏起搏器或胰岛素泵等电子植入物造成影响。请本身载有电子植入物的人距本电器和下列部件：奶罐、奶泡系统、水箱和萃取单元至少保持10厘米以上的距离。

供货清单

本安装说明书说明了不同供货清单和安装的各种机型。

- (a) 全自动咖啡机
- (b) 安装说明书
- (c) 安装支架
- (d) 垫片
- (e) 7个固定螺丝（银色）
- (f) 2个固定螺丝（长型/黑色）
- (g) 2个固定螺丝（短型/黑色）
- (h) 1个套管（黑色）
- (i) 2个套管（白色）
- (j) 电源线
- (l) 1个固定螺丝（银色）
- (m) 阻尼铰链

准备内嵌式橱柜

确保有效通风。为确保有效通风，请取下背板或切割出一个500 x 400毫米的开口。墙壁与橱柜底部以及与上方橱柜背板之间必须保持至少35毫米的距离。不得遮盖通风槽和入口。另请遵循位于上方或下方电器的安装说明。若将电器安装在暖盘机的上方，则凹槽的高度必须为590毫米，若电器直接安装在饰板的下方，请确保通风槽至少为200 cm²。本电器不应安装过高（约950毫米）以确保容器或酿造单元等功能部件可以很容易地被取下。显示屏不应高于水平视线，以确保易读性。

确保本电器免受霜冻所造成的损坏。

准备安装

1. 从包装箱中取出所有零件，并检查是否于运输过程中产生损害。若机器有损坏，请勿使用。
2. 根据安装类型注意安装尺寸。
重要：机门有三种开度角可供选择。安装前，请根据所需的机门开度角，注意离墙的安装距离。
 - 开度角约110°（交货状态）
 - = 离墙的安装距离至少350毫米
 - 开度角约155°
 - = 离墙的安装距离至少650毫米，因此，应取出位在上下铰链的两个制动件。
 - 开度角约92°（需要选购附件）
 - = 离墙的安装距离至少100毫米，因此，应取出位在上下铰链的两个制动件，替换成编号：00636455的选购附件。
3. 请根据图中标示尺寸安装安装支架(c)并以2个固定螺丝(e)将其拧紧。安装支架必须无缝安装在机柜底部和墙壁上。(图1)

安装机器

1. 将电源开关(U)置于[o]的位置。(图2)
 2. 将电源线插入本电器固定(可听到卡入到位的声音)(图3)。请将插入的电器刚好放在橱柜的边缘上。将电源线插入插座。
提示：本电器可以直接连接到家庭网络。为此，请将LAN电缆(未含在供货范围内)插入本电器。
重要：
 - 电器和后墙之间的间距应至少为35毫米。
 - 电源线或LAN电缆不得扭结或挤压。
 3. 将电器推入橱柜到底。检查本电器是否置中对齐。如有必要，请调整本电器的位置。为进行此操作，请将电器拉出一点，取下适当的垫片(d)并安装在左侧(顶部和底部)。将电器推入橱柜到底。(图4)
调整本电器的水平和垂直位置。本电器不得位在任何角度超过1°(2%)的方向上。
 4. 打开机门。取下承滴盘(Y)并将护板(X)从左下往右前方拉并将其取下。将抽屉附件(Z)拉出并取下。(图5)
 5. 仅限电器CMP 250: (图6a)
首先，本电器应各用2个安装螺丝(e)和(f)以及2个套管(i)固定拧紧，如图所示。然后在机柜右上方用固定螺丝(e)和套管(h)固定拧紧。
仅限电器CM 450: (图6b)
首先，本电器应各用2个安装螺丝(e)和(f)以及2个套管(i)固定拧紧，如图所示。然后在机柜右上方用固定螺丝(e)和套管(h)固定拧紧。
紧接着：
 - 电器门在开度角约为55°打开。
 - 拧入螺丝(l)。
 - 安装阻尼铰链(m)。
 6. 请插入护板(X)并用两个黑色固定螺丝(g)固定。(图7)
 7. 请装回承滴盘(Y)和附件抽屉(Z)并关上机门。(图8)
- 仅限专业人员: (图9)**
少数的情况下，可通过修改嵌入式橱柜将嵌入式全自动咖啡机的机门卡紧固定。可调校机门。可透过调校上下方的铰链来调校机门：通过转动螺丝(V)调校机门深度
将上下阻尼铰链从铰链上取下。通过转动螺丝(W)调校机门的倾斜度和水平位置。
请装回阻尼铰链。

取出机器

1. 松开所有螺丝。
2. 轻轻拉出电器。
3. 将电源插头自插座上拔下。
4. 将电器从机柜中整个拉出。

技术参数

电气连接 (电压 - 频率)	220–240 V ~, 50 / 60 Hz
电力负载:	1600 W
最大泵压 (静态)	19 bar
水箱的最大容量 (无滤水器)	2,4 l
豆箱的最大容量	500 g
电源线的长度	1,7 m
尺寸 (高 x 宽 x 深)	CMP 250: 455 x 590 x 423 mm, CM 450: 455 x 590 x 444 mm
重量, 空机	CMP 250: 19–20 kg, CM 450: 21–22 kg
研磨机的种类	陶瓷

en

Proper installation

Only use the appliance indoors at room temperature and up to 2000 m above sea level.

Protect the appliance from frost, otherwise it will become damaged.

Important safety information

Please read and pay particular attention to the safety information in the instruction manual.

Read the instructions carefully and keep for future reference. Safe use of the appliance can only be ensured if it is professionally installed according to the installation instructions.

Secure any unsecured units to the wall using a standard bracket.

Risk of electric shock!

- Connect and operate the appliance only in accordance with the specifications on the rating plate. If the power cord of this appliance is damaged, it must be replaced with a special connecting line, which is available from our after-sales service.
- Do not use if the power cable or appliance is damaged. If a fault occurs, pull the mains plug or switch off the mains voltage immediately.
- To prevent hazards, the appliance may be repaired by our customer service only.
- Never immerse the appliance or mains cord in water.

Hazard due to magnetism!

The appliance contains permanent magnets which may affect electronic implants, e.g. heart pacemakers or insulin pumps. Persons wearing electronic implants must maintain a minimum distance of 10 cm from the appliance and from the following parts upon removal: milk container, milk system, water tank and brewing unit.

Included in delivery

These installation instructions describe various models that differ with regard to scope of delivery and installation.

- (a) Fully automatic coffee machine
- (b) Installation Instructions
- (c) Assembly bracket
- (d) Spacer
- (e) 7 Fastening screws (silver)
- (f) 2 Fastening screws (long/black)
- (g) 2 Fastening screws (short/black)
- (h) 1 Threaded sleeves (black)
- (i) 2 Threaded sleeves (white)
- (j) Power cable
- (l) 1 Fastening screw (silver)
- (m) Hinge dampers

Prepare built-in units

Ensure sufficient ventilation. To do so, remove the back panel of the unit or cut out an opening measuring 500 x 400 mm. There should be a gap of at least 35 mm between the wall and the bottom of the unit as well as the back panel of the unit situated above. The ventilation slots and intake openings must not be covered. Also follow the installation instructions for the appliance situated above or below. If installing the appliance above a warming drawer, the height of the recess must be 590 mm. If the appliance is installed directly under a décor panel, ensure that there is a ventilation slot of at least 200 cm². The appliance should not be installed too high (approx. 950 mm) to ensure that function parts, e.g. container or brewing unit, can be removed without difficulty. The display should not be located above eye level to ensure legibility.

Protect the appliance from frost or it will become damaged.

Installation preparation

1. Unpack all parts and check for any damage in transit. Never switch on damaged appliances.
2. Make note of the installation dimensions of the particular model.
Important: Three opening angles can be selected for the door. Depending on the opening angle required, the mounting distance to the wall should be observed before installation.
 - Opening angle approx. 110° (as delivered)
= Mounting distance to the wall at least 350 mm
 - Opening angle approx. 155°
= Mounting distance to the wall at least 650 mm. For this purpose, remove the two limits on the upper and lower hinges.
 - Opening angle approx. 92° (requires special accessory)
= mounting distance to the wall at least 100 mm. For this purpose, replace the two limits on the top and bottom hinges with special accessory no. 00636455.
3. Position the assembly bracket (c) as shown in the dimensions in the illustration and tighten with 2 attachment screws (e). The assembly bracket must be placed against the cabinet base and wall without a gap. (Fig. 1)

Installing the appliance

1. Set the mains switch (U) [O]. (Fig. 2)
2. Plug the power cord firmly into the appliance (clicks into place) (Fig. 3). Put the appliance to be plugged in just onto the edge of the unit. Insert the power cord into the socket.
Note: The appliance can be directly connected to the home network. To do this, insert a LAN cable (not included in scope of supply) into the appliance.
Important:
 - The distance between the appliance and the rear wall must be at least 35 mm.
 - The power cord or the LAN cable must not be kinked or crushed.
3. Push the appliance into the unit to the stop. Check that the appliance is in the middle. If necessary, align the appliance. To do so, pull the appliance out a little, remove the appropriate spacers (d) and attach on the left side (top and bottom). Push the appliance into the unit to the stop. (Fig. 4)
Align the appliance horizontally and vertically. The appliance should not stand at an angle of more than 1° (2%) in any direction.
4. Open the appliance door. Remove the drip tray (Y). Pull the cover (X) on the below left toward the right front and remove. Pull out the accessories drawer (Z) and put to one side. (Fig. 5)
5. **For the CMP 250 appliance only: (Fig. 6a)**
First, secure the appliance using 2 fastening screws (e) each and (f) the 2 sleeves (i) as shown. Lastly, screw in the fastening screw (e) and sleeve (h) on the cabinet's top right.
For the CM 450 appliance only: (Fig. 6b)
First, secure the appliance using 2 fastening screws (e) each and (f) the 2 sleeves (i) as shown. Lastly, screw in the fastening screw (e) and sleeve (h) on the cabinet's top right.
Then:
 - Open the door at approx. 55°.
 - Screw the screws in (l).
 - Re-fit the hinge dampers (m).
6. Insert the cover (X) and secure using both black fastening screws (g). (Fig. 7)
7. Replace the drop tray (Y) and accessories drawer (Z) and close the appliance door. (Fig. 8)

Only for the expert: (Fig. 9)

In very few cases, the door of the fitted fully automatic machine can jam due to warpage in the built-in units. The door can be adjusted. To do this, adjust the hinges at the top and bottom: Adjust the depth of the door by turning the screws (V)
Remove the top and bottom hinge dampers from the hinges. Turn the screws (W) to adjust the inclination and horizontal position of the doors.

Re-fit the hinge dampers.

Removing the appliance

1. Loosen all screws.
2. Gently pull out appliance.
3. Disconnect the mains plug.
4. Remove the appliance entirely from the cabinet.

Technical data

Electrical connection (voltage – frequency)	220–240 V ~, 50 / 60 Hz
Power rating	1600 W
Maximum static pump pressure	19 bar
Maximum capacity of the water tank (without filter)	2,4 l
Maximum capacity of the coffee bean container	500 g
Length of the power cable	1,7 m
Dimensions (H x W x D)	CMP 250: 455 x 590 x 423 mm, CM 450: 455 x 590 x 444 mm
Weight, empty	CMP 250: 19–20 kg, CM 450: 21–22 kg
Type of grinder	Ceramic