

**Gaggenau**

en Operating and installation instructions

# **RW 222 / RW 282**

---

## en Table of contents

---

<b>Safety precautions</b> .....	<b>3</b>
About these instructions .....	3
Risk of explosion .....	3
Risk of electric shock .....	3
Risk of injury .....	3
Risk of fire / Dangers from refrigerants .....	3
Avoiding risks to children and other at-risk persons .....	4
Material damage .....	4
<b>Intended use</b> .....	<b>4</b>
<b>Environmental protection</b> .....	<b>4</b>
Packaging .....	4
Used appliances .....	4
<b>Positioning and connecting appliance</b> .....	<b>5</b>
Scope of delivery .....	5
Technical data .....	6
Installation conditions .....	6
Installing the appliance .....	7
Removing the transport locks .....	8
Changing which side the door hinges are on .....	8
Installing the appliance in the furniture cavity .....	11
Fitting a custom furniture panel .....	15
Electrical connection .....	18
<b>Your appliance</b> .....	<b>19</b>
Controls .....	19
Features .....	20
<b>Using the appliance</b> .....	<b>20</b>
Switching on .....	20
Setting the temperature .....	21
Setting the display brightness .....	21
Switching on the lighting permanently .....	22
Setting the brightness for the permanent lighting .....	22
Fan .....	23
Child lock .....	23
Switching off .....	24
Defrosting .....	24
<b>Alarm</b> .....	<b>25</b>
Temperature alarm .....	25

<b>Storing wine</b> .....	<b>25</b>
Storing .....	25
Tips .....	25
Drinking temperatures .....	26
<b>Maintenance</b> .....	<b>26</b>
Cleaning the appliance .....	26
Care tips for stainless steel surfaces .....	27
Removing/inserting the extendable bottle trays .....	27
Replacing the activated charcoal filter .....	28
<b>Noises</b> .....	<b>29</b>
Normal noises .....	29
Avoiding noises .....	29
<b>Faults and what to do about them</b> .....	<b>29</b>
Rectifying faults yourself .....	29
<b>Shutting down the appliance</b> .....	<b>29</b>
<b>Customer service</b> .....	<b>30</b>
Product number (E-Nr.) and production number (FD) .....	30
Technical data .....	30
Repair order and advice in the event of faults .....	30

---

## Safety precautions

---

### About these instructions

Carefully read through the Operating and installation instructions. They contain important information on installing, using and maintaining the appliance.

The manufacturer is not liable for any damage caused by users ignoring the information and warnings contained in the instructions for use.

Retain all documents for later use or for subsequent owners.

### Risk of explosion

- Never use electrical appliances inside the appliance (e.g. heaters, electric ice makers, etc.).
- High-proof alcohol must always be tightly sealed and stored in an upright position.
- Do not use this appliance to store explosive substances such as spray cans containing flammable propellant.

### Risk of electric shock

- Never defrost or clean the appliance with a steam cleaner. The steam may come into contact with electrical components and cause a short circuit.
- For defrosting and cleaning, unplug the appliance from the mains or switch off the circuit breaker. Never attempt to unplug the appliance by pulling on the connecting cable; always take hold of the mains plug itself.
- When installing the appliance ensure that the mains power cable is not squeezed or damaged.
- If this appliance's mains power cable is damaged, it must be replaced by the manufacturer, the after-sales service or a similarly qualified person. Incorrect installation or repairs can pose significant risks to the user.
- Repairs must only be carried out by the manufacturer, the after-sales service or a similarly qualified person.
- Only genuine spare parts from the manufacturer may be used. The manufacturer can only guarantee that the safety requirements are met if these parts are used.
- Any mains power cable extension must only be obtained from the after-sales service.

### Risk of injury

#### **WARNING! Risk of eye injury**

The light intensity of the LED lighting corresponds to laser class 1/1M.

The LED strip light cover may only be removed by the after-sales service.

Do not look directly into the LED lighting using optical lenses.

#### **WARNING!**

- Non-visible surfaces may have sharp edges. You should therefore be careful when reaching behind or underneath the appliance.
- Wear gloves to avoid injuring your fingers on sharp edges.

#### **Risk of fire / Dangers from refrigerants**

The appliance contains a small amount of the environmentally friendly but flammable refrigerant R600a.

Make sure that the pipes of the refrigerant circuit are not damaged during transit or installation. If refrigerant squirts out, it could cause eye injuries or ignite.

In the event of damage:

- Keep naked flames or sources of ignition away from the appliance.
- Ventilate the room thoroughly for a couple of minutes.
- Switch off the appliance and unplug it from the mains.
- Inform the after-sales service.

The more refrigerant an appliance contains, the larger the room must be in which it stands. If there is a leak and the room is too small, a flammable gas-air mixture may form. The room must be at least 1 m<sup>3</sup> in size for every 8 g of refrigerant. The amount of refrigerant in your appliance is listed on the rating plate inside the appliance.

#### **RISK OF FIRE!**

Portable multiple sockets or portable power supply units can overheat and cause a fire.

Do not position any portable multiple sockets or portable power supply units behind the appliance.

### Avoiding risks to children and other at-risk persons

Persons at risk are:

- Children
- Persons with physical disabilities, learning disabilities, or hearing, visual and/or other impairments.
- Persons who do not have sufficient knowledge of how to use the appliance safely.

Action required:

- Make sure that children and other at-risk persons have understood the dangers.
- A person responsible for safety must supervise or instruct children and other at-risk persons when they are using the appliance.
- Do not allow children under 8 years old to use the appliance.
- Supervise children when cleaning and servicing.
- Never let children play with the appliance.

### Material damage

- Do not use the base, drawers, trays, doors, etc. as a step or support.
- Do not contaminate plastic parts or door seals with oil or grease. This will cause plastic parts and the door seal to become porous.
- The appliance must not be taken to or used at altitudes exceeding 1500 m above sea level.  
Risk of glass breakage

---

### Intended use

---


This appliance is intended solely for keeping wine and only for domestic use in a private household environment.

### Packaging

The packaging protects your appliance from damage during transit.

All the materials used are environmentally friendly and can be recycled. Please help by disposing of the packaging in an environmentally responsible manner.

Information about the available disposal methods and sites can be obtained from your specialist retailer or your local authority.

 **WARNING! Risk of suffocation from cardboard boxes and plastic film.**

Do not give packing or parts thereof to children.

### Used appliances

Used appliances are not worthless waste.

If they are disposed of in an environmentally responsible manner, valuable raw materials can be recovered.



This appliance is labelled in accordance with European Directive 2012/19/EU on used electrical and electronic appliances (waste electrical and electronic equipment – WEEE).

This directive determines the framework for the return and recycling of used appliances as applicable throughout the EU.

 **WARNING!**

Appliances at the end of their useful life:

1. Unplug the mains plug.
2. Cut the connecting cable and remove it along with the mains plug.
3. Do not remove the shelves and containers. Leaving them intact makes it more difficult for children to climb in.

Refrigerators contain refrigerant and their insulation material contains gases. Refrigerant and gases must be disposed of properly. Do not damage the refrigerant circuit pipes before disposing of them properly.

## Positioning and connecting appliance

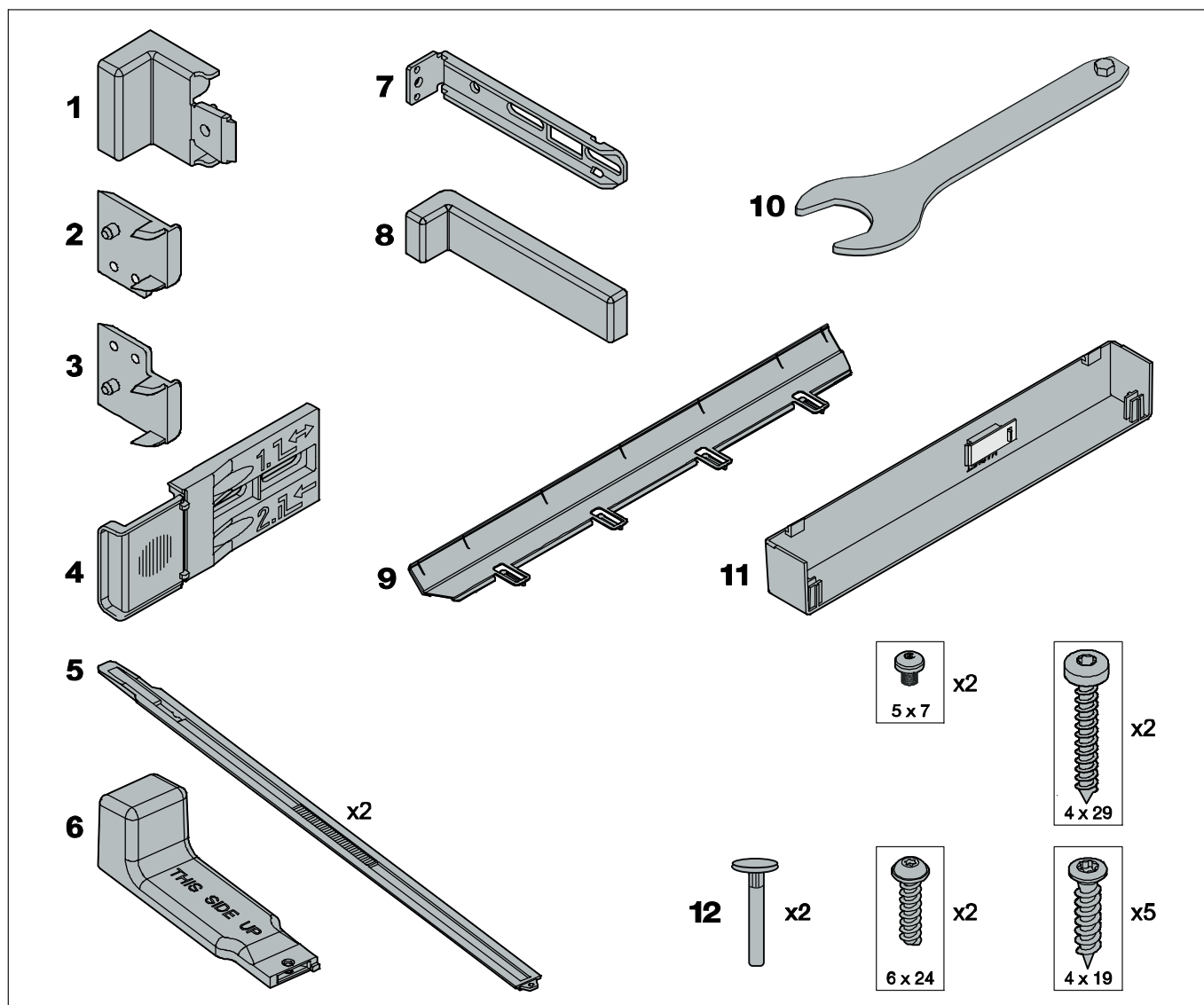
### Scope of delivery

The scope of delivery comprises:

- Built-in appliance
- Operating and installation instructions
- Service record

- Information on energy consumption and noises
- The parts pictured below

After unpacking the appliance, check all parts for damage during transit. If you find any defects, contact the retailer from whom you purchased the appliance or our after-sales service.



1 Cover

2 Spacer

3 Spacer

4 Fixing bracket

5 Stabilisation rail

6 Stabilisation rail handle

7 Fixing bracket

8 Cover

9 Cover trim

10 Open-ended spanner

11 Cover

12 Pins/screws

Note:

The cover (item 11) on the underside of the door has been attached loosely to avoid damaging the cover during transit.

The cover should not be firmly attached to the door until the appliance has been installed in the furniture cavity.

## Technical data

The appliance has interference suppression in accordance with EU Directive 2004/108/EC.

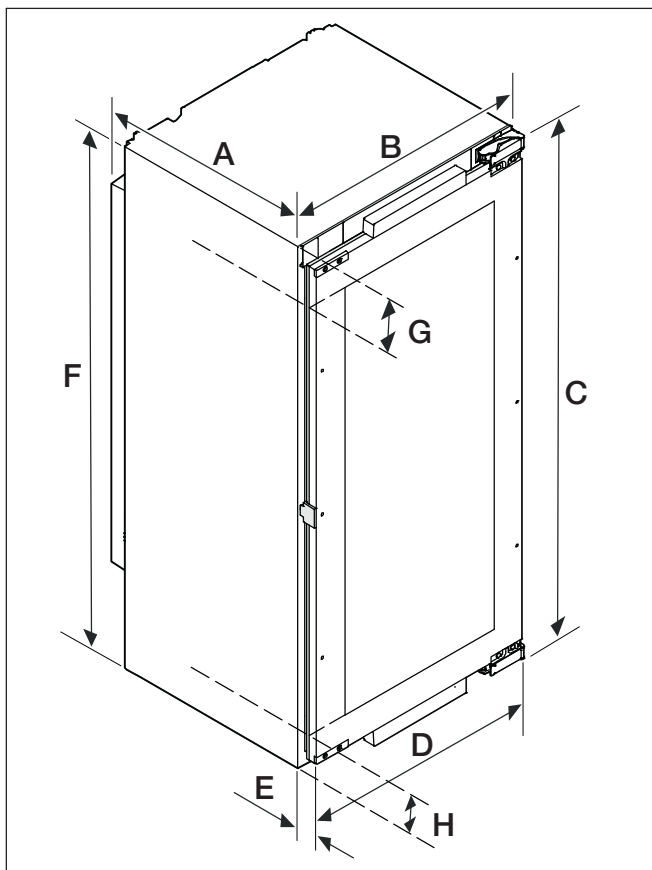
This product complies with the applicable safety requirements for electrical appliances (EN 60335-2-24).

The refrigeration circuit has been checked for leak tightness.

### Rating plate

The appliance's technical data is printed on the rating plate, which is located inside the appliance on the left-hand side.

### Appliance dimensions



Measurement	RW 222	RW 282
A	510 mm	
B	557 mm	
C	1199 mm	1751 mm
D	546 mm	
E	43 mm	
F	1218 mm	1770 mm
G	119 mm	
H	116 mm	

## Installation conditions

### Installation site

The ideal installation site is a dry, well-ventilated room. The appliance should not be installed in a position that is exposed to direct sunlight or close to a source of heat, such as a cooker or radiator.

If installation next to a heat source is unavoidable, use a suitable insulating panel or maintain the following minimum clearances from the heat source:

- From an electric or gas cooker: 3 cm.
- From an oil or solid-fuel stove: 30 cm.

The kitchen units must be perfectly horizontal and vertical.

The walls of the furniture cavity at the appliance installation site must be at least 16 mm thick.

### Ambient temperature

The climate class is specified on the rating plate. It indicates the ambient temperature range in which the appliance can be operated.

Climate class	Permissible ambient temperature
SN	+10 °C to 32 °C
N	+16 °C to 32 °C
ST	+16 °C to 38 °C
T	+16 °C to 43 °C
SN-ST	+10 °C to 38 °C

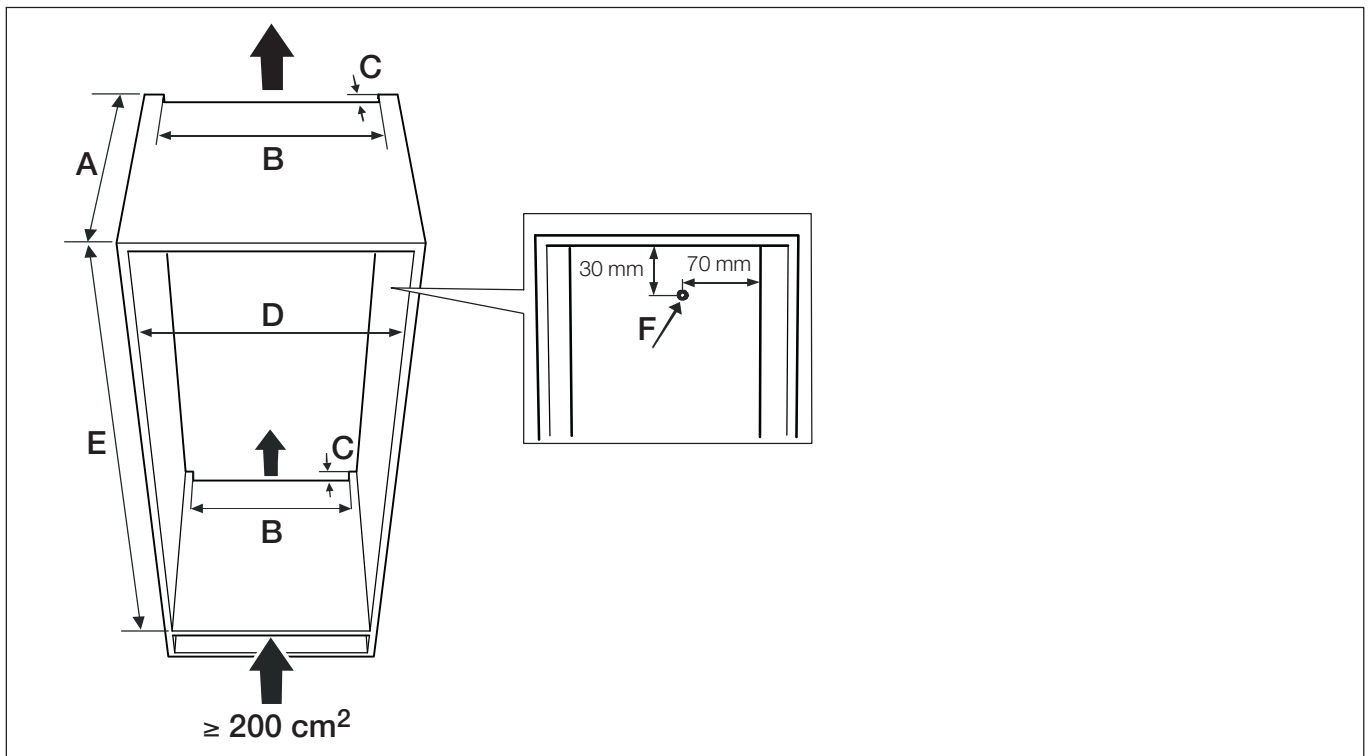
The appliance is fully functional within the ambient temperature limits of the specified climate class.

If an appliance rated as climate class SN is operated at lower temperatures, the appliance will not suffer damage at temperatures down to +5 °C.

### Minimum room volume

The room in which the appliance is installed must have a minimum volume, which is dependent on the quantity of refrigerant in the appliance. For more details, see "Dangers from refrigerants".

## Installation dimensions / appliance ventilation



Measurement	RW 222	RW 282
A	≥ 550 mm	
B	≥ 500 mm	
C	≥ 40 mm	
D	560 to 570 mm	
E	1220 to 1236 mm	1772 to 1788 mm
F	Point where the mains power cable exits the appliance	

The free ventilation cross section between the bottom ventilation opening and the top ventilation opening must be  $200 \text{ cm}^2$  at all times.

When using ventilation grilles, make sure that the ventilation cross section equals the sum of the individual cross sections of the openings. This means that a cut-out measuring  $200 \text{ cm}^2$  for fitting the ventilation grille is not sufficient.

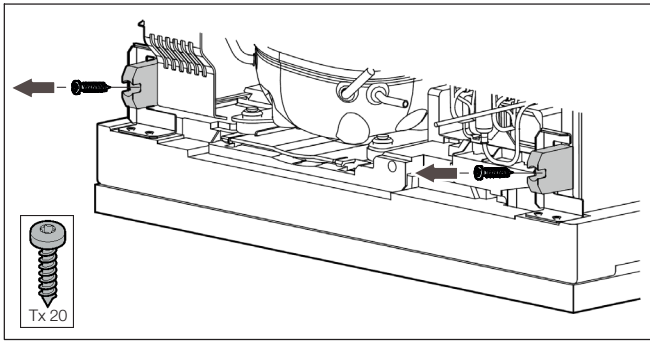
## Installing the appliance

The appliance must be installed and connected by a qualified installer in accordance with these Operating and installation instructions.

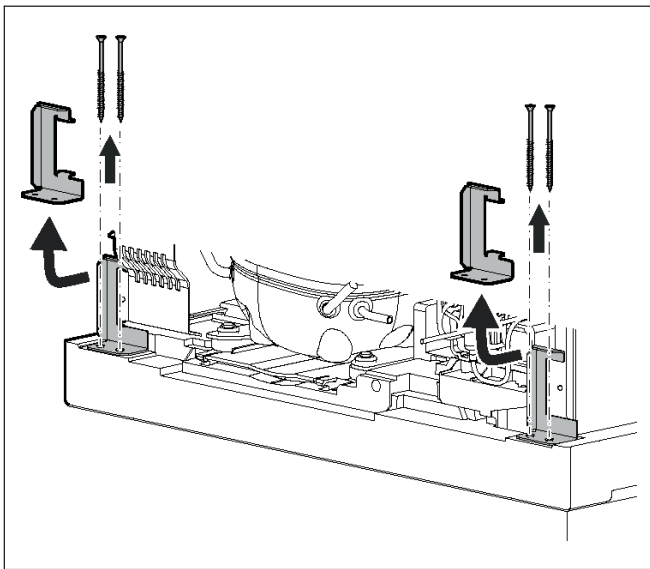
In addition to national legal rules and regulations, the connection requirements of the local utility companies must also be observed.

After the appliance is installed, you should wait at least 1 hour before starting up the appliance. The oil contained in the compressor may have been displaced into the refrigeration system during transit.

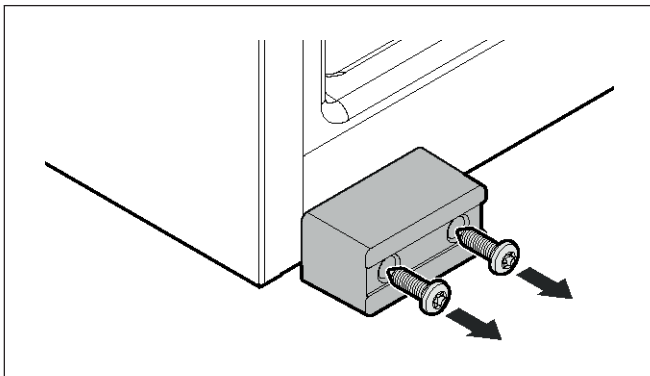
## Removing the transport locks



1. RW 282 only: Unscrew the screws at the bottom on the back of the appliance and remove the two transport locks.



2. Unscrew the four fixing screws at the bottom on the back of the appliance and remove the two fixing brackets.

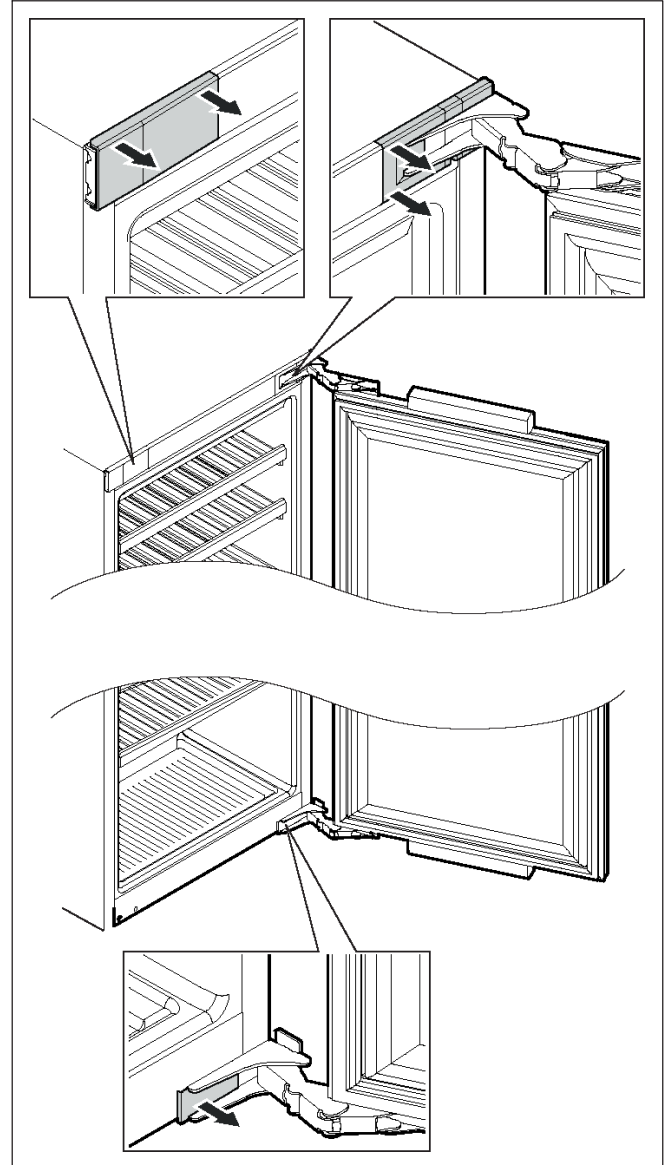


3. Unscrew the screws at the bottom on the front of the appliance and remove the transport lock.

## Changing which side the door hinges are on

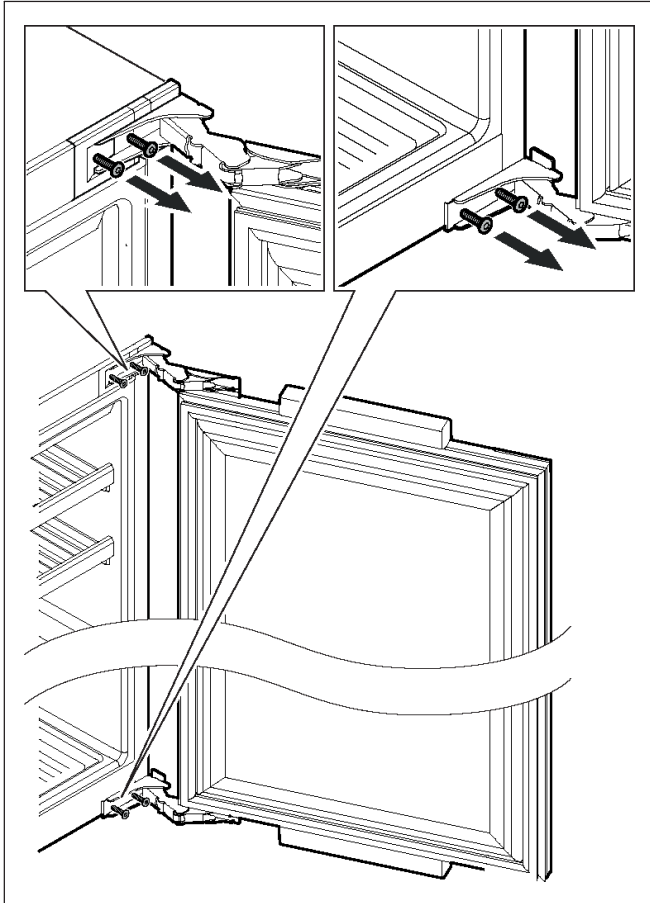
The door hinges can only be switched to the other side when the appliance is not fitted in the kitchen unit. This should only be carried out by trained specialists.

The work requires two persons.



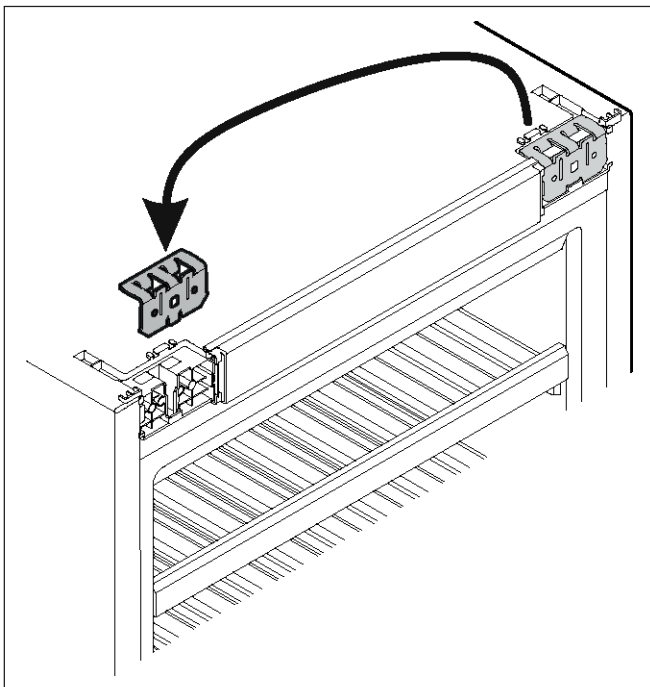
1. Remove the hinge covers at the top and bottom.



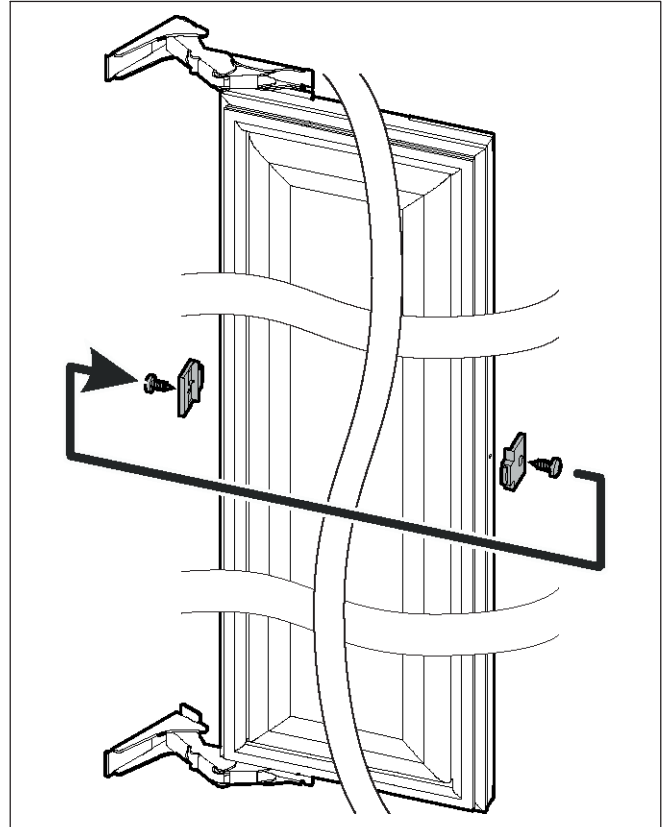


2. Have the second person hold the door firmly while you completely remove the screws from the top and bottom hinges and remove the door.

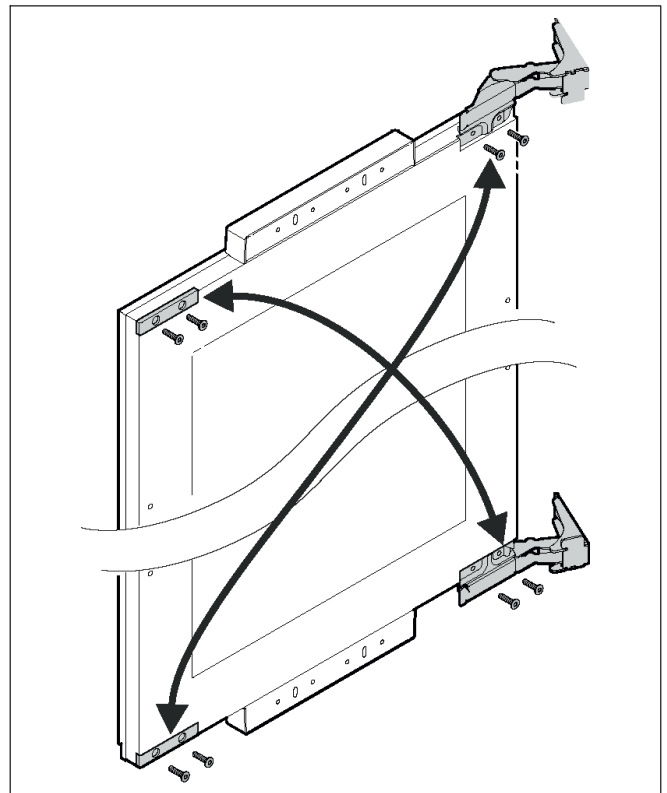
**⚠ CAUTION! Risk of injury from the hinges closing. Leave the hinges open.**



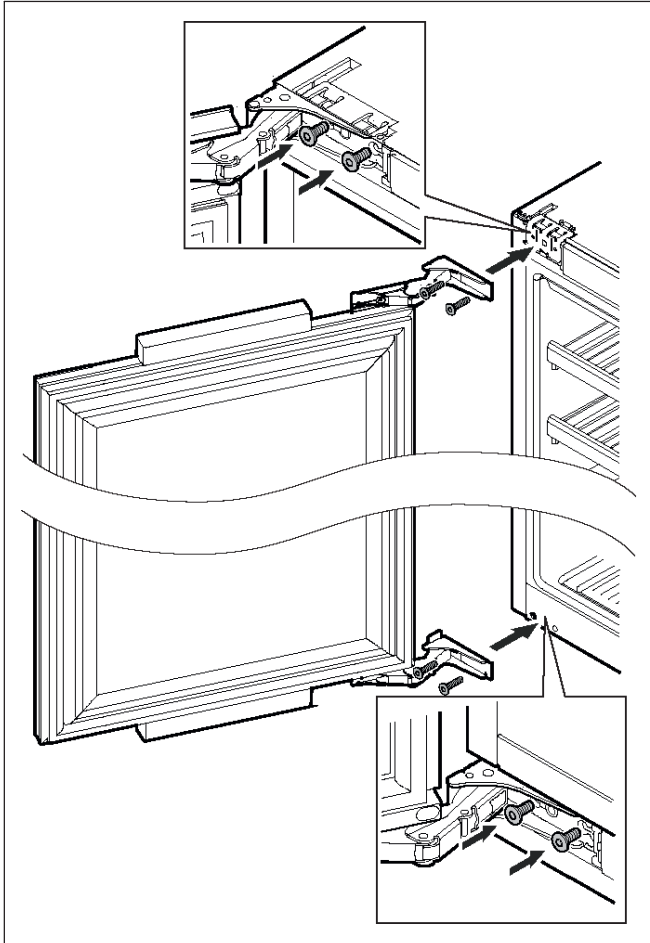
3. Pull out the top retaining bracket and put it back in on the opposite side.



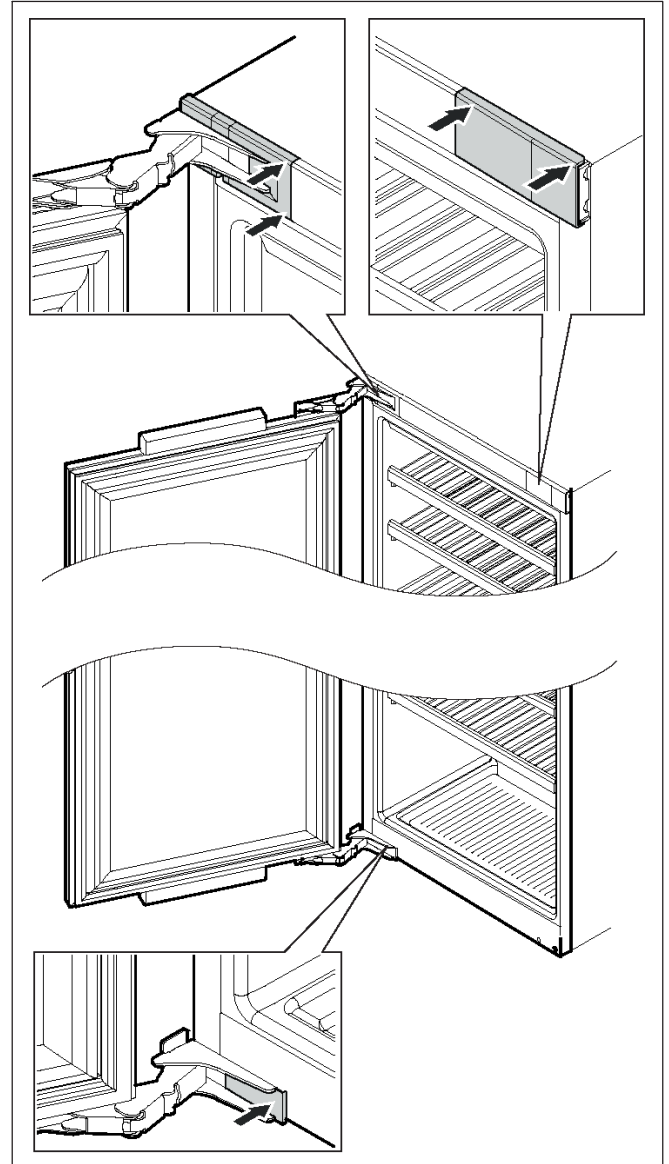
4. Unscrew the fixing screw on the door check, remove the door check and reattach it on the opposite side.



5. Unscrew the hinges and covers and reattach them on the diagonally opposite side.



6. Work for the second person: Position the door on the appliance and hold it firmly in place.
7. Screw on the top hinge, tighten the screws.
8. Screw on the bottom hinge, tighten the screws.

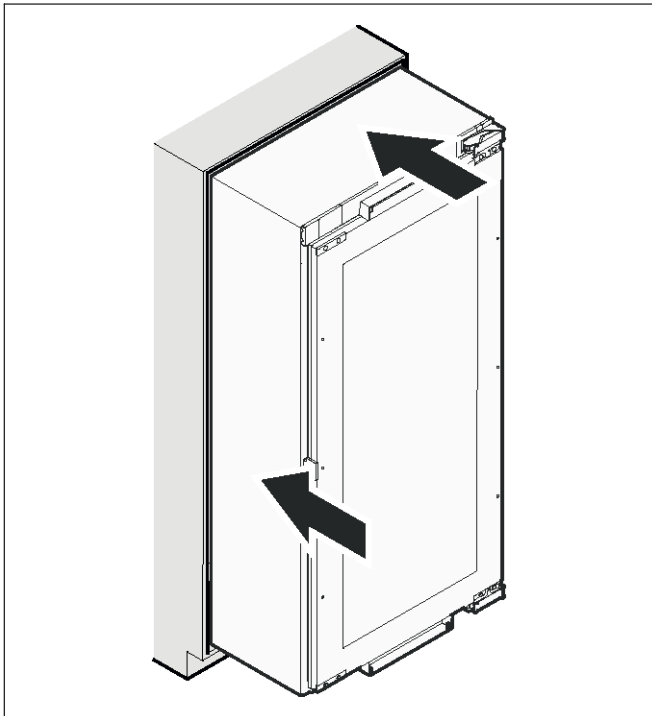


9. Put the hinge covers back on and click them into place.
10. Check that the door is fitted firmly and securely to the appliance and that it closes properly.

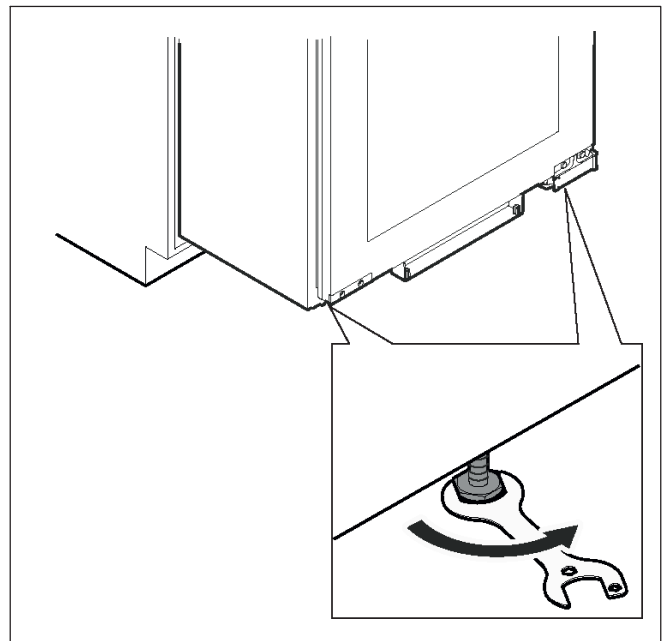
## Installing the appliance in the furniture cavity

Note: Check that the installation conditions are met before proceeding with installation (see the “Installation conditions” section).

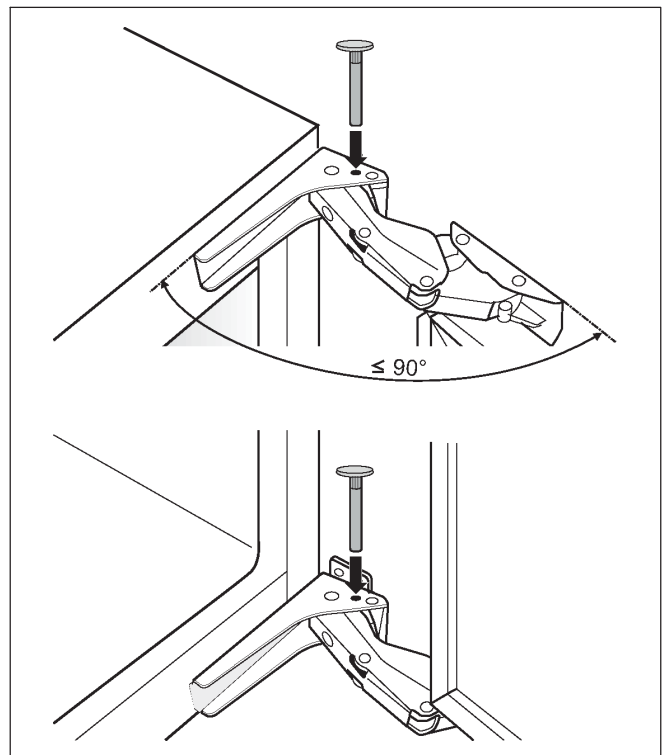
1. Lay the appliance connecting cable to the socket.



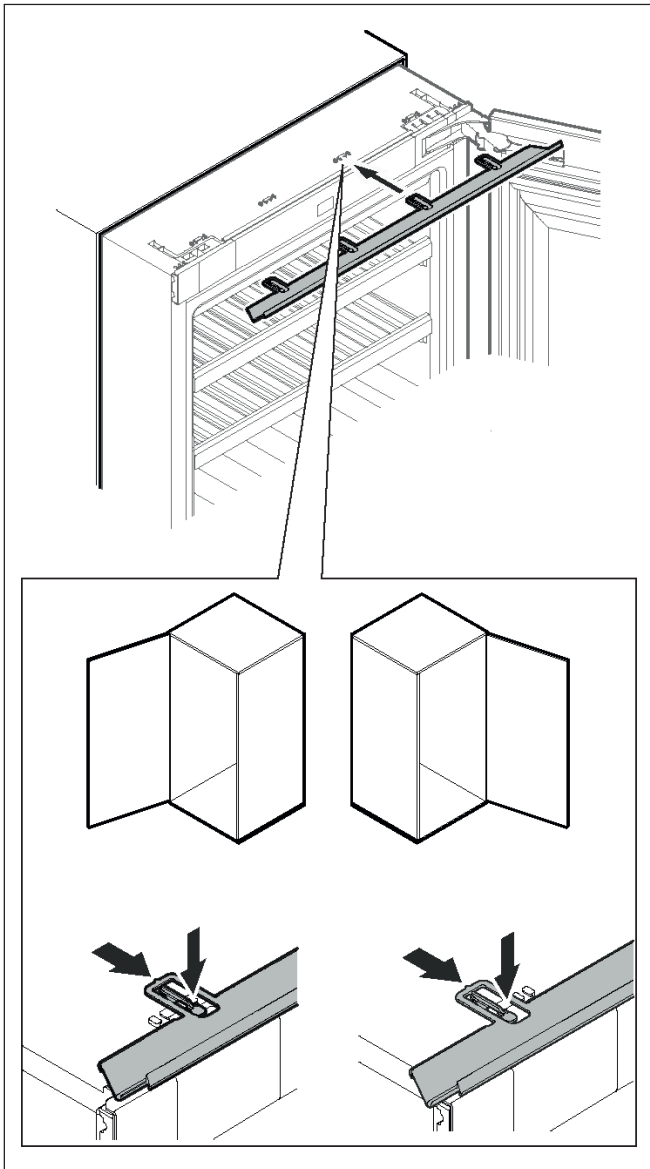
2. Push the appliance two thirds of the way into the furniture cavity.  
Make sure that the appliance connecting cable is not squeezed, trapped or otherwise damaged in the process.



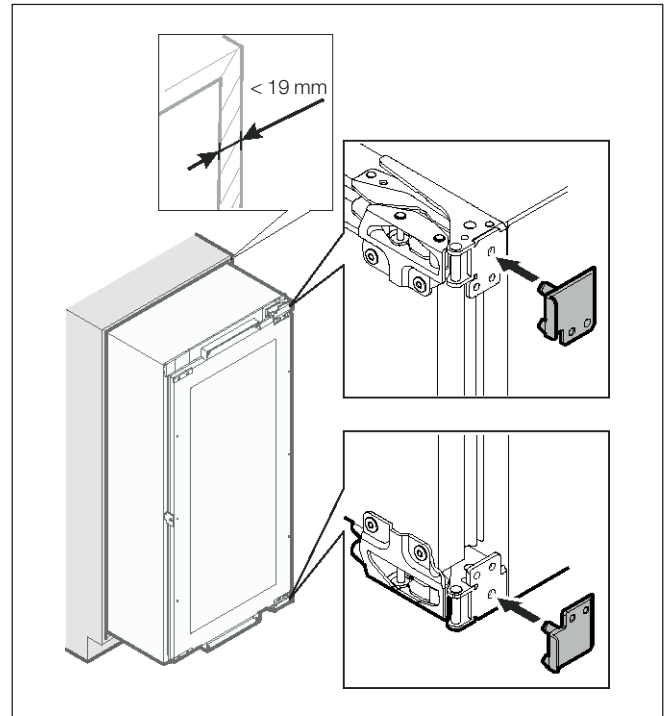
3. Screw the two adjustable feet all the way in using the spanner provided.



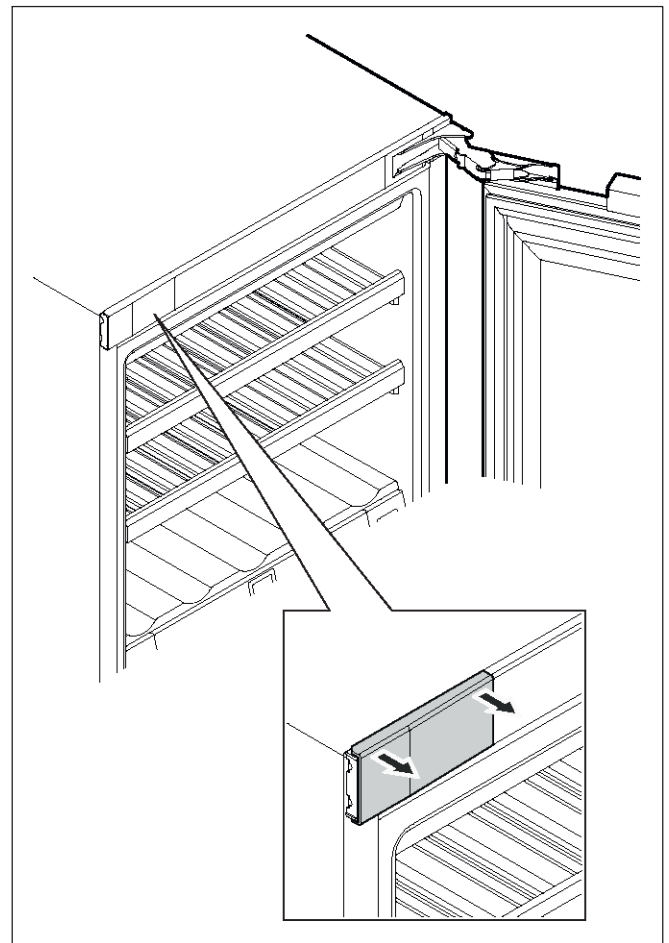
4. If the door opening angle needs to be limited to 90°:  
Push the two positioning pins supplied into the two door hinges as far as possible.



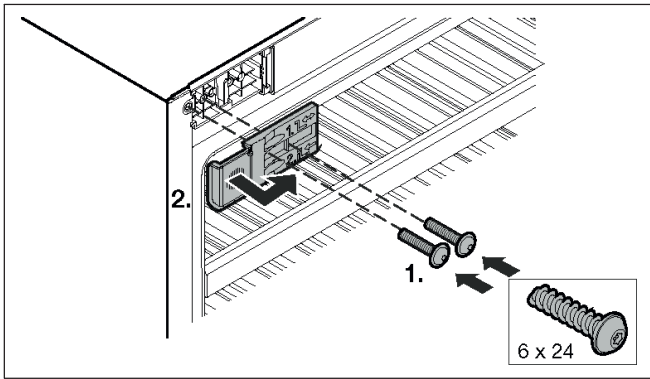
5. Fit the cover trim, taking care to put it in the correct position depending on which side the door is hinged.



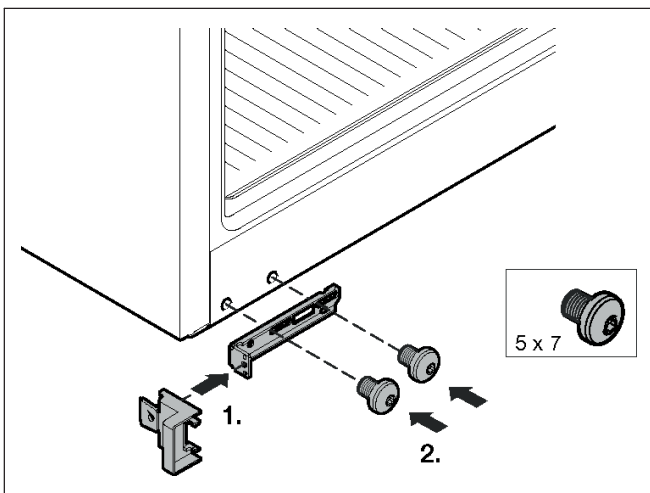
6. If the walls of the furniture cavity are less than 19 mm thick: Place spacers at the sides of the door hinges.



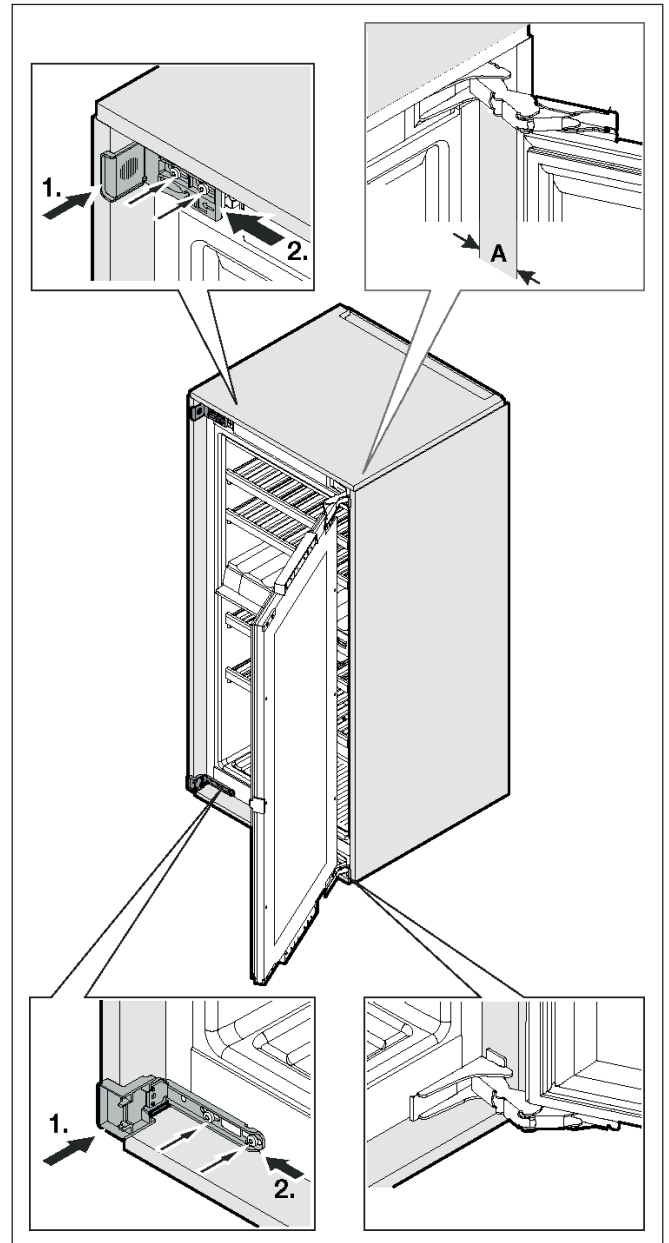
7. Remove the cover (unclip it).



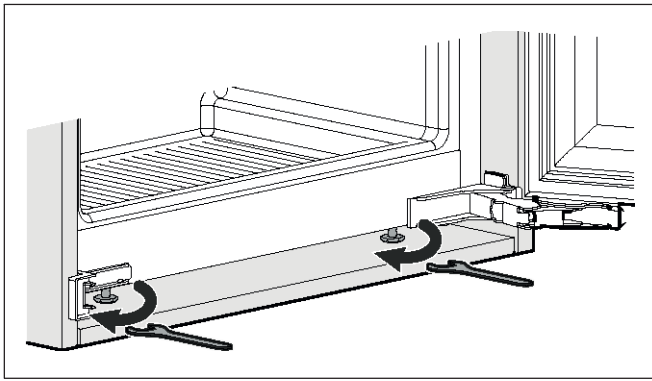
8. Screw on the top fixing bracket.
9. Use your hand to swivel the protruding part of the fixing bracket forward through 90°.



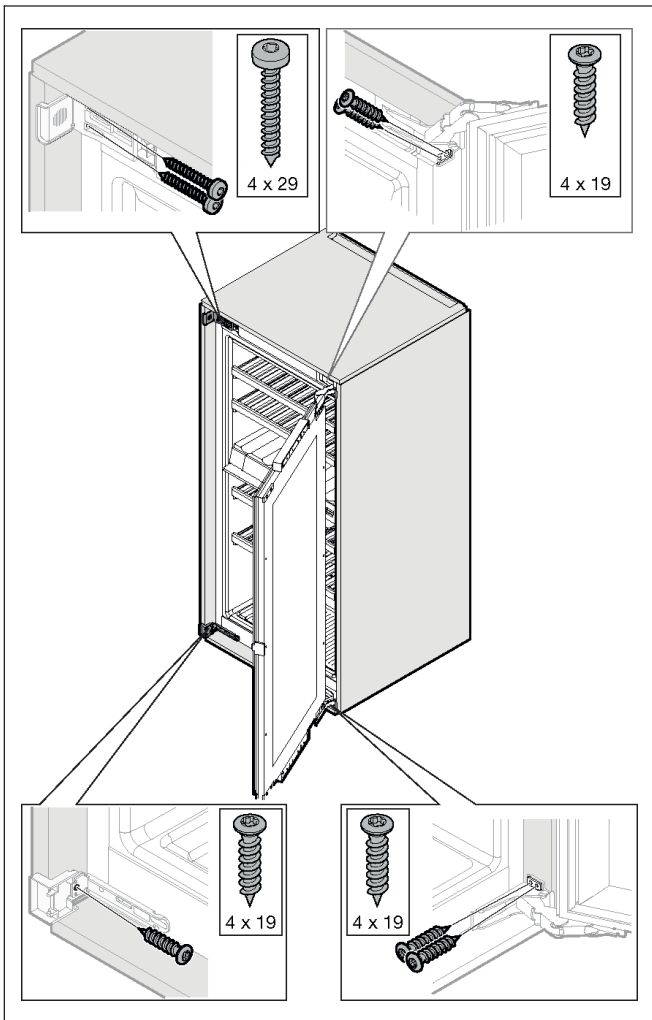
10. Screw on the bottom fixing bracket with cover.



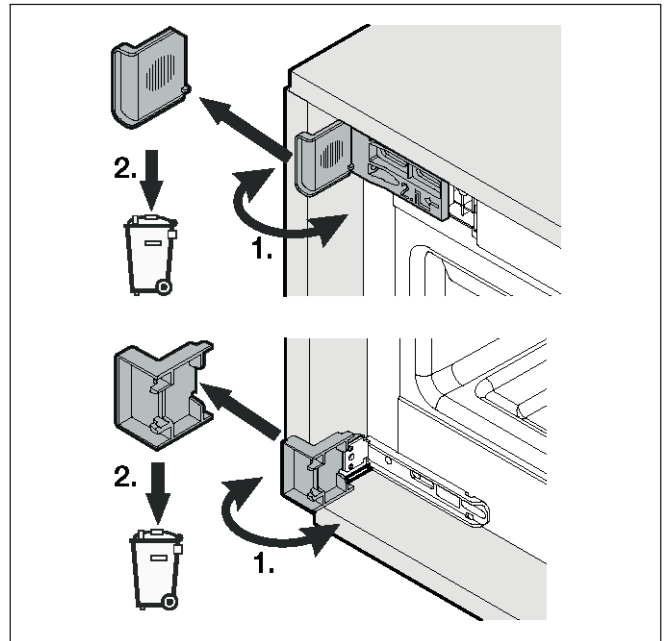
11. Push the appliance fully into the fixing brackets in the furniture cavity and check whether dimension "A" between the front edge of the appliance and the front edge of the cavity is 42 mm all the way round.
12. If amendments are required: Undo the screws on the fixing brackets at the top and/or bottom, adjust the position of the bracket(s) and retighten the screws.



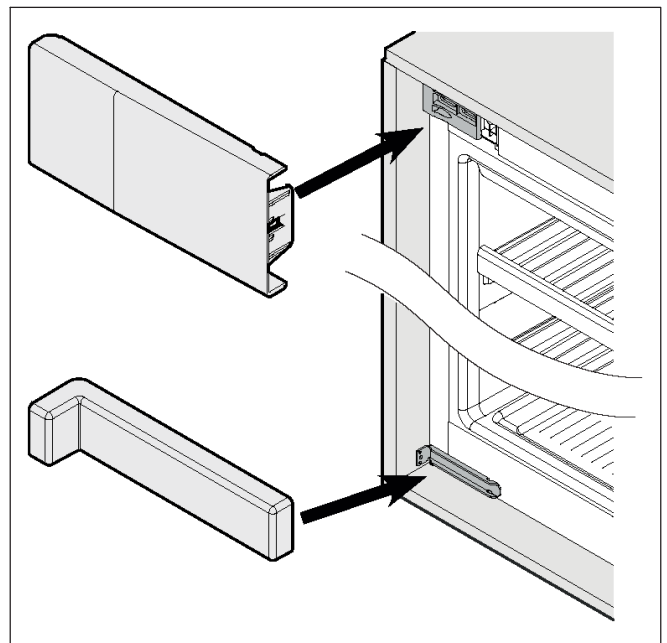
13. Unscrew the adjustable feet using the spanner provided and use them to align the appliance.



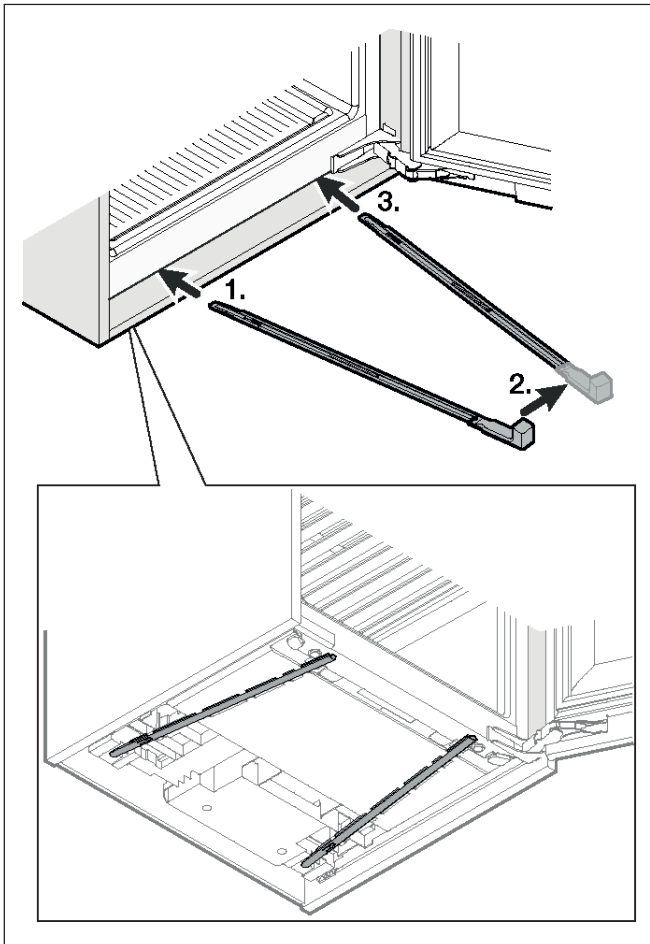
14. Screw the appliance at its hinges and at the fixing brackets to the furniture cavity using the screws provided.



15. Snap off the front part of the stop bracket and throw it away.



16. Fit the covers on the top and bottom fixing brackets.

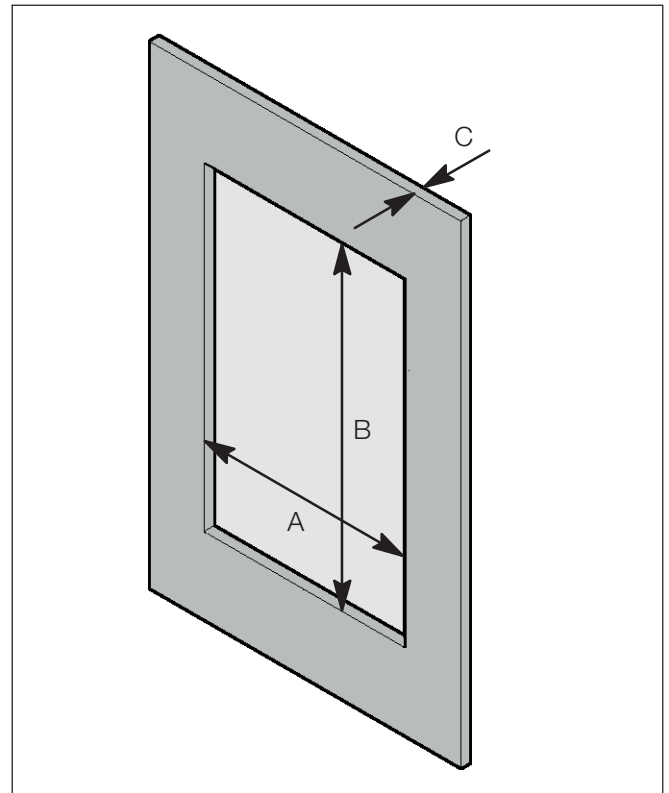


17. Fit the handle to one of the stabilisation rails and insert it into the appliance base at the points shown, pointing diagonally outwards.
18. Remove the handle from the stabilisation rail, fit it to the second stabilisation rail and insert this into the appliance base as well.
19. Remove the handle from the stabilisation rail and check that the appliance is securely fitted in the furniture cavity and that the door closes properly.

## Fitting a custom furniture panel

A custom-made furniture panel can be fitted to the appliance door. The following specifications must be complied with if you do this.

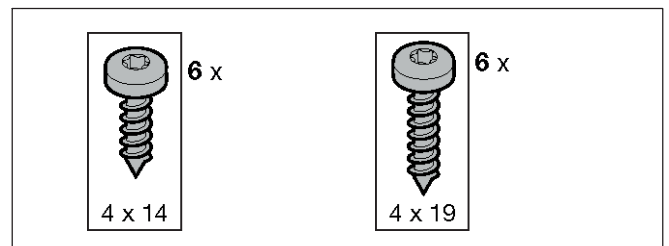
### Dimensions of custom-made panel



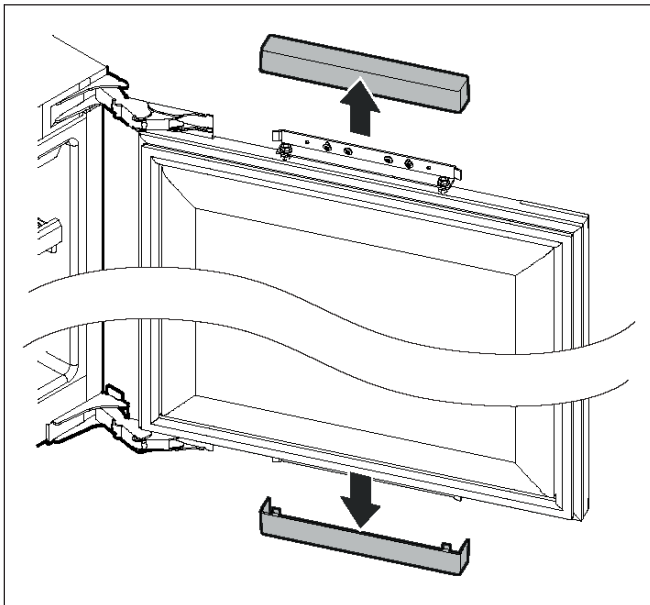
Measurement	RW 222	RW 282
A	≤ 383 mm	
B	≤ 913 mm	≤ 1496 mm
C	16 ... 22 mm	

Weight of the panel: max. 20 kg

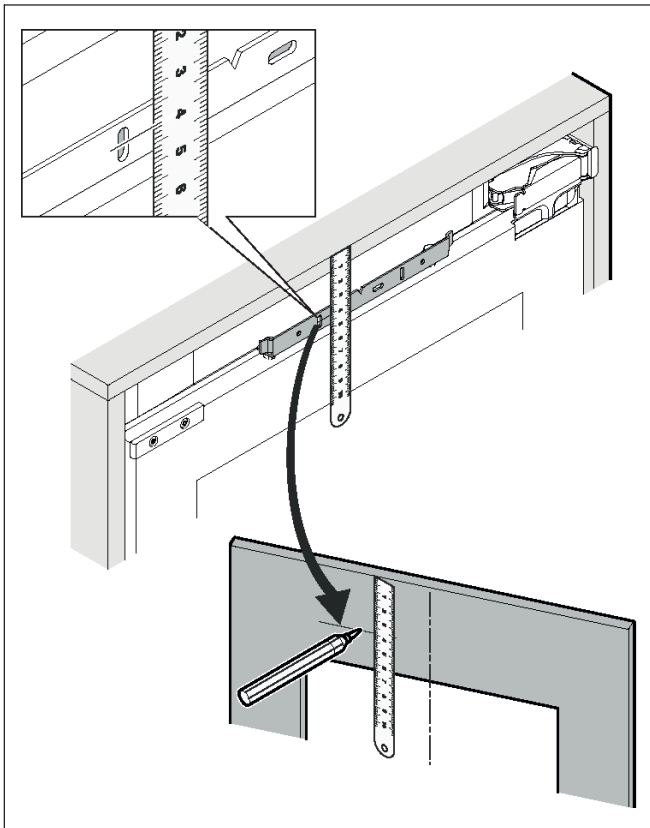
### Required installation accessories



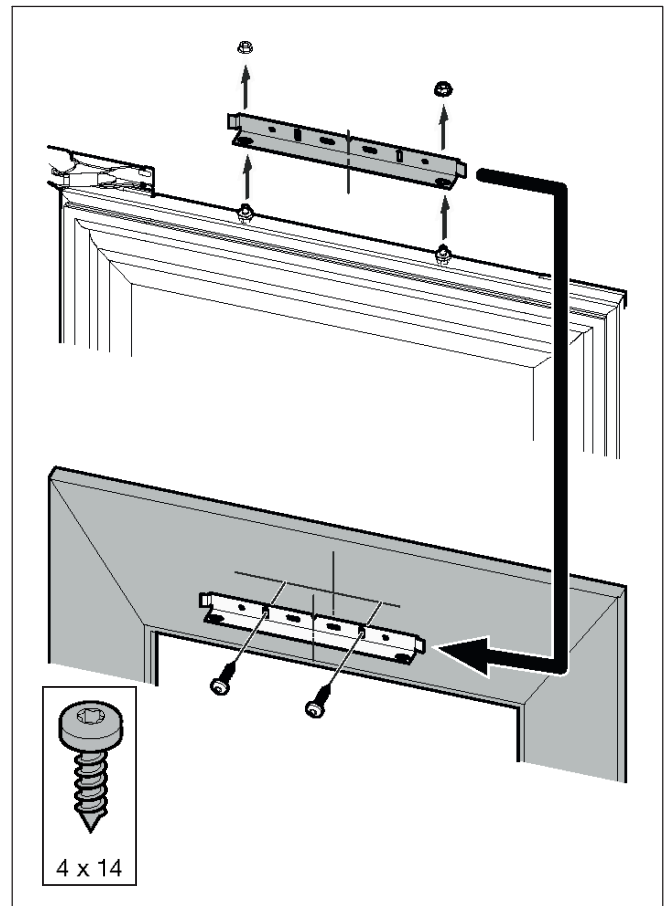
## Fitting the panel



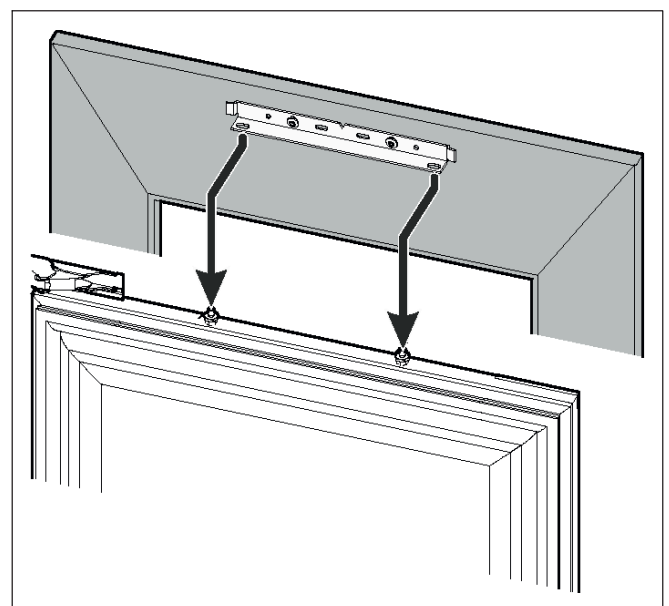
1. Remove the covers at the top and bottom of the appliance door.



2. Measure from the very end of the panel's upper edge to the middle of the elongated hole in the fixing bracket at the top of the appliance door and transfer this measurement to the back of the panel. Also mark the middle of the panel with a vertical line.

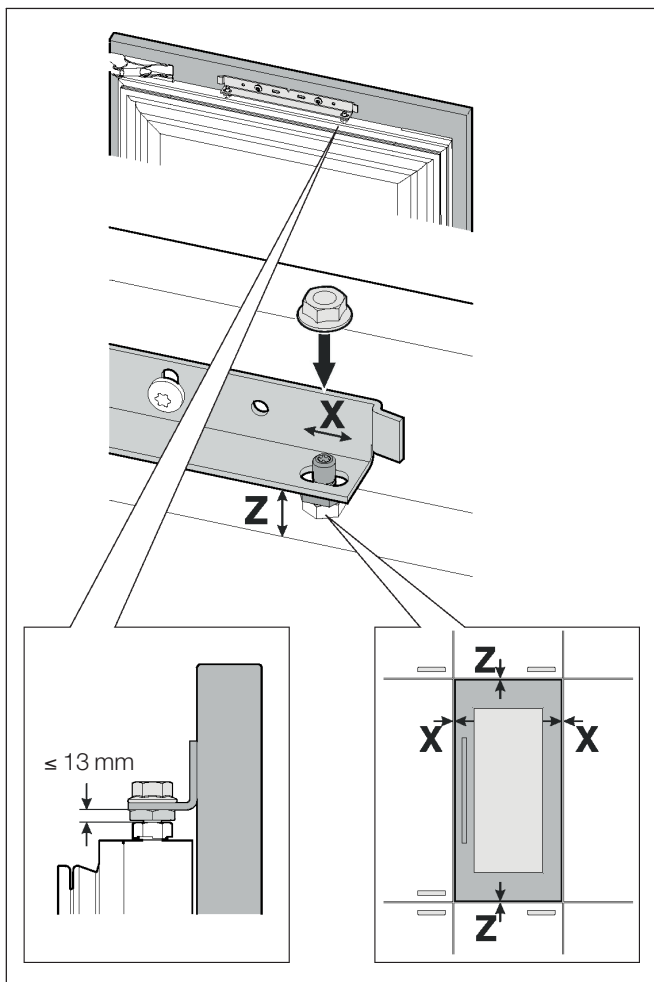


3. Undo the hexagon nuts and remove the top fixing bracket from the door. Screw the fixing brackets onto the middle of the panels; the notch at the top of the fixing bracket shows where the middle is.

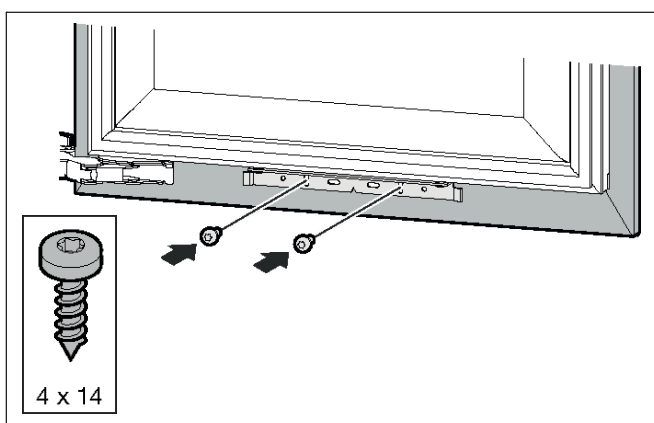


4. Place the panel with the top fixing bracket on the threaded rods on the appliance door.

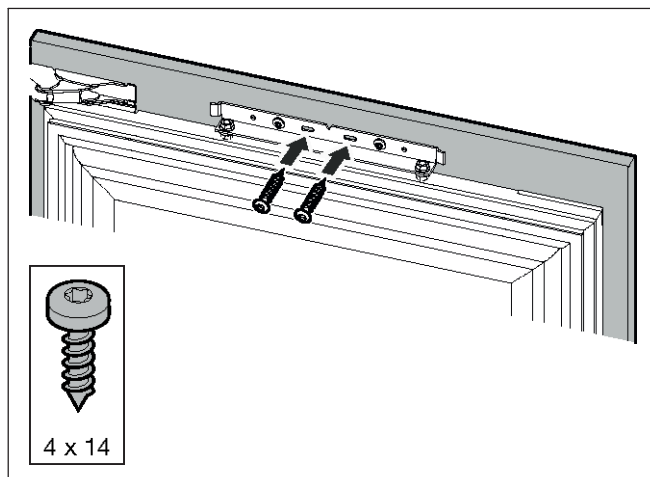




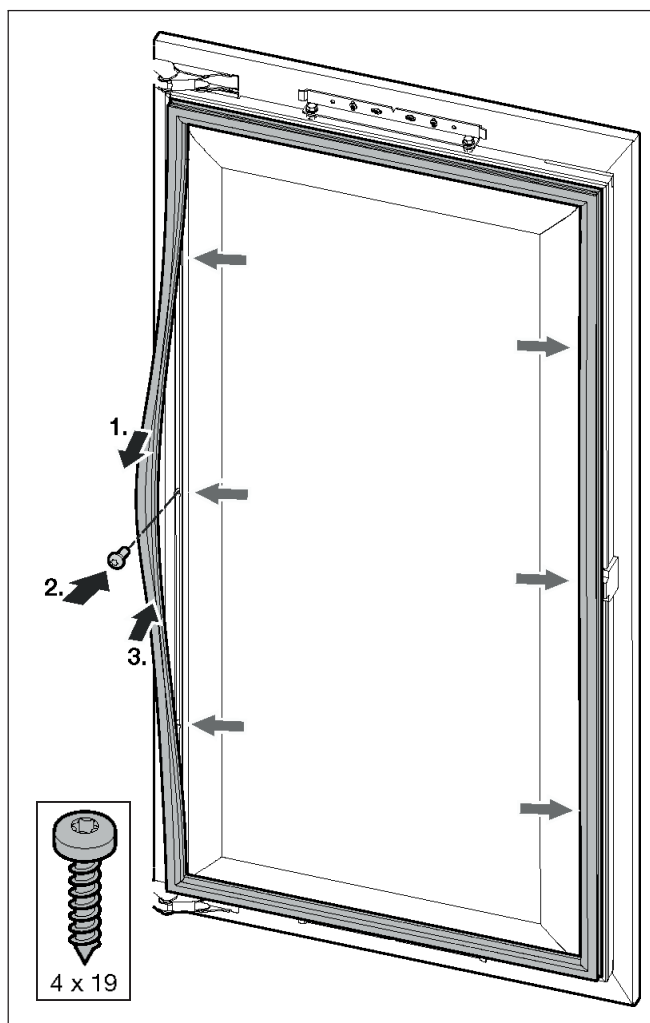
5. If necessary, adjust the lock nuts and move the fixing bracket in the elongated hole in order to position the panel such that the horizontal clearances (X) and vertical clearances (Z) to the other furniture panels are all equal.



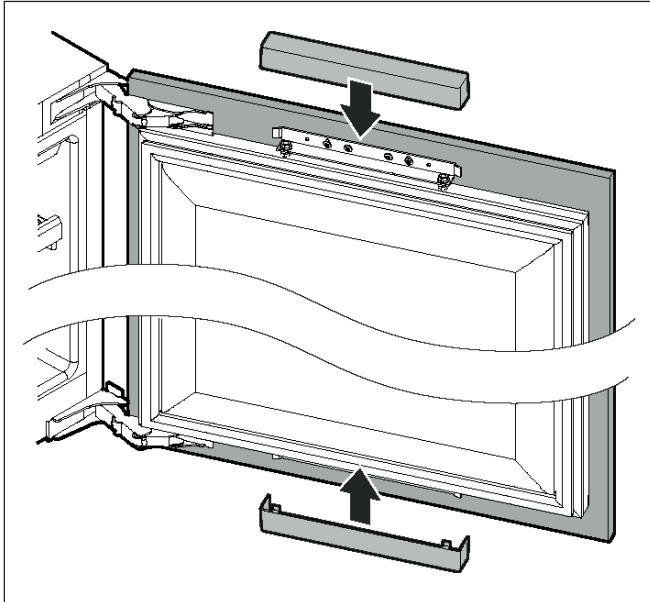
6. Use two fixing screws to attach the bottom fixing bracket to the appliance door.



7. Attach the top panel to the fixing bracket using two more screws.



8. Remove the door seal at the positions shown; place a fixing screw in each hole and screw in. Put the door seal back in.



9. Put the covers back on the top and bottom fixing brackets.

## Electrical connection

Connect the appliance to a 220-240 V/50 Hz AC power supply via a correctly installed plug socket. The socket must be protected by a 10-16 A fuse.

The socket to which the appliance is connected must not be directly behind the appliance and it must be easily accessible.

Take the length of the mains power cable into account when deciding the position of the socket:

RW 222: 2.0 m

RW 282: 2.8 m

Do not use extension leads or multi-socket adaptors.

If the appliance is operated outside Europe, check whether the voltage and type of current specified on the rating plate comply with the specifications of your electricity supply grid.

If the mains power cable needs to be replaced, this task must only be carried out by a skilled professional.

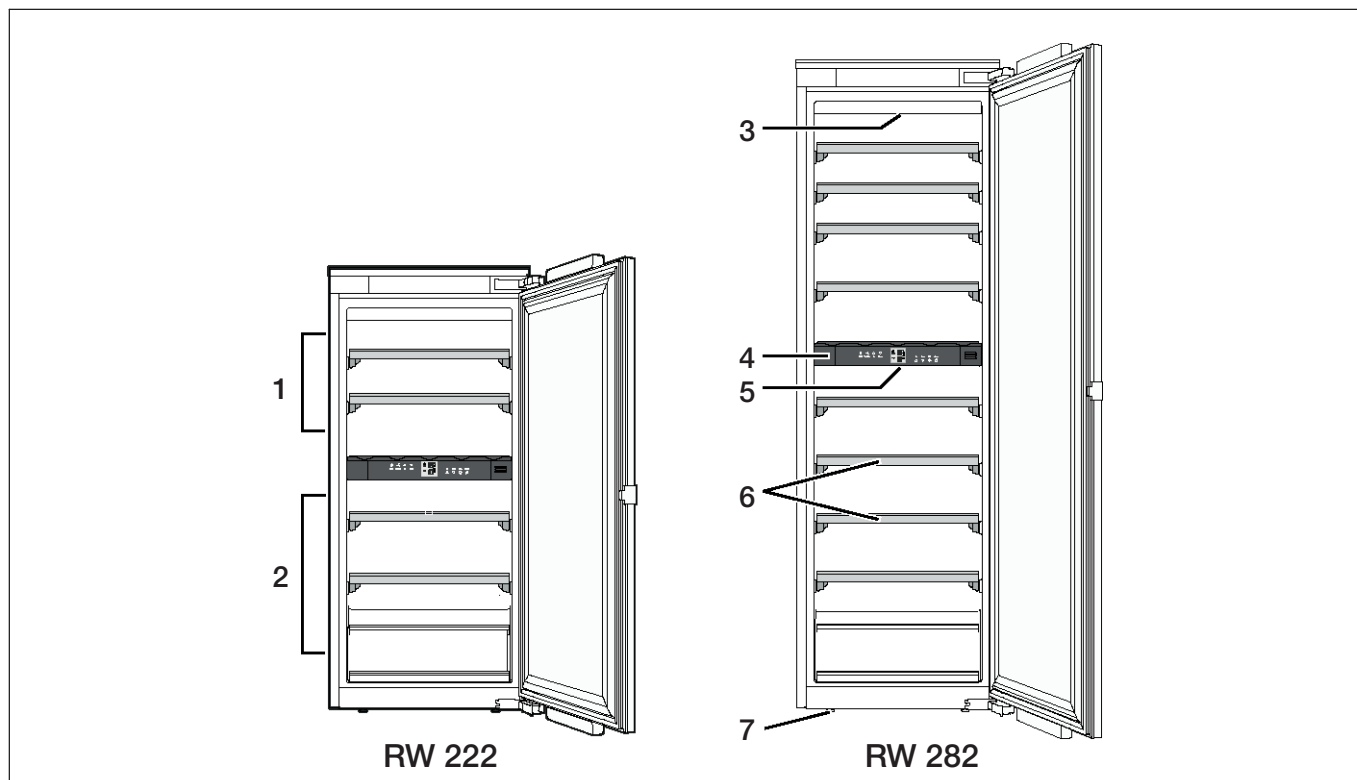
### **⚠ WARNING!**

The appliance must not be connected to an electronic energy saving plug (e.g. Ecoboy; Sava Plug) or an inverter that converts direct current to 230 V alternating current (e.g. solar energy systems, boat electrical systems).

### **Before first use**

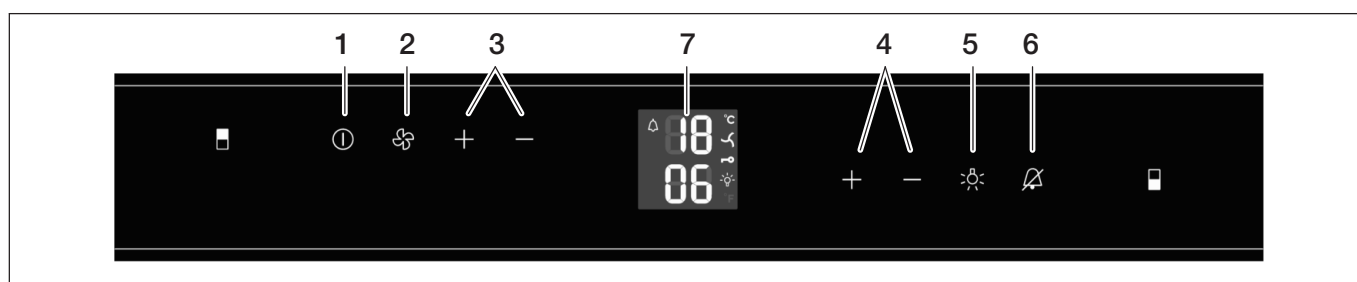
Before using the appliance for the first time, clean the inside (see the "Cleaning the appliance" section).

## Your appliance



- 1 Top compartment
- 2 Bottom compartment
- 3 Interior lighting, top compartment
- 4 Control panel with display and touch keys
- 5 Interior lighting, bottom compartment
- 6 Extendable bottle trays
- 7 Adjustable feet

## Controls

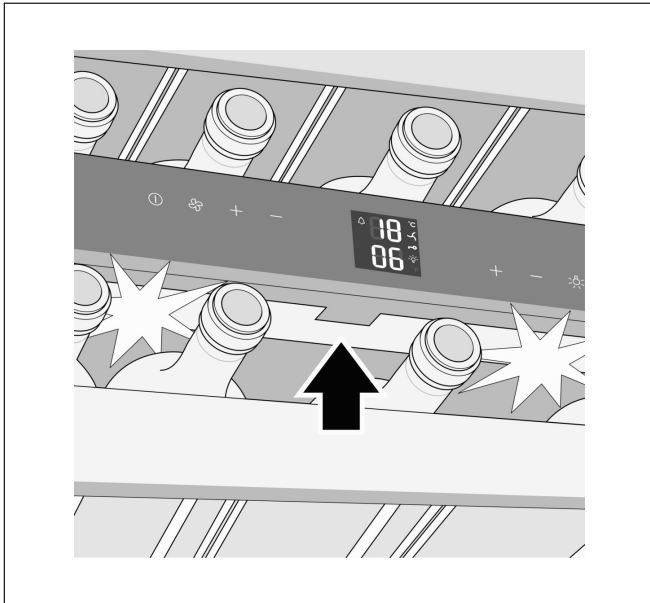


- 1 On/off button
- 2 Fan button
- 3 Temperature setting +/- keys for the top compartment
- 4 Temperature setting +/- keys for the bottom compartment
- 5 Interior lighting button
- 6 Alarm-off button
- 7 Display showing the temperature and the active functions
  - MENU** Setting mode, e.g. for setting the brightness of the display
  - DEMO** Demonstration mode; see "Rectifying faults yourself"
  - Alarm (interior temperature too high / door open for longer than 1 minute)
  - Interior fan permanently on
  - Child lock enabled
  - Interior lighting permanently on

## Features

### LED interior lighting

The interior is illuminated by two LED light strips in the top and bottom compartments.



The lighting is switched on when the door is opened. The lighting switches off again approximately 3 seconds after the door is closed.

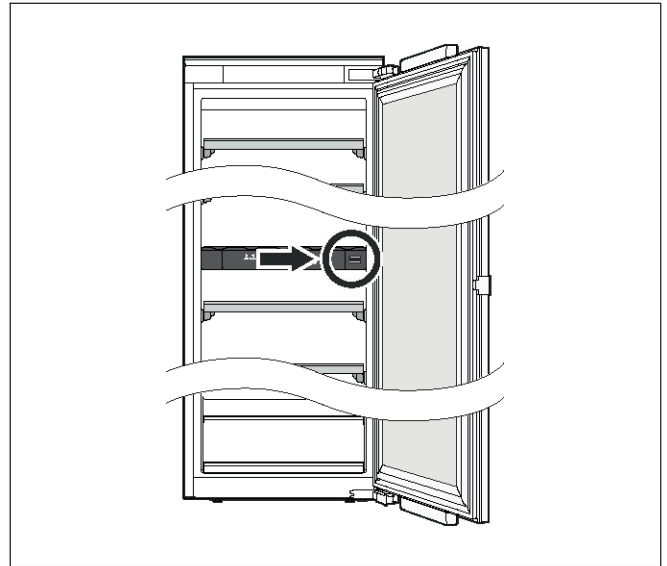
### **⚠ WARNING! Risk of eye injury**

The light intensity of the LED lighting corresponds to laser class 1/1M. The LED strip light cover may only be removed by the after-sales service. Do not look directly into the LED lighting using optical lenses.

Note:  
The interior lighting can be switched on permanently by pressing the interior lighting button; see "Switching on the lighting permanently".

### Air exchange through activated charcoal filter

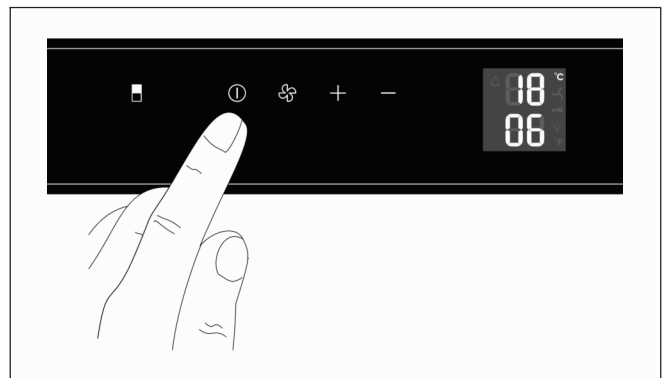
Wines mature continuously depending on the conditions in which they are kept; air quality is therefore crucial to their preservation. For this reason, there is an activated charcoal filter fitted inside the appliance.



## Using the appliance

### Switching on

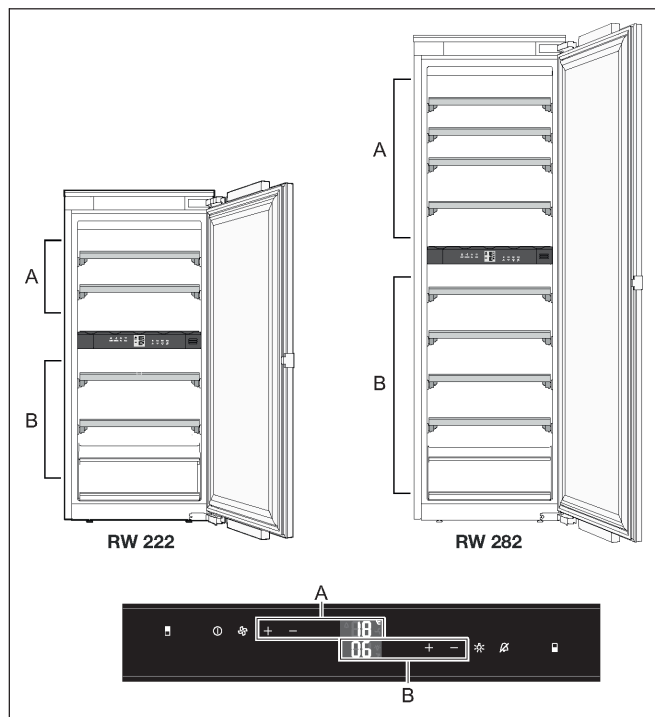
1. Connect the mains plug.



2. Press the on/off button until the temperature lights up on the display.

## Setting the temperature

The temperatures in the two compartments can be set independently of one another within a range of +5 °C to +20 °C.

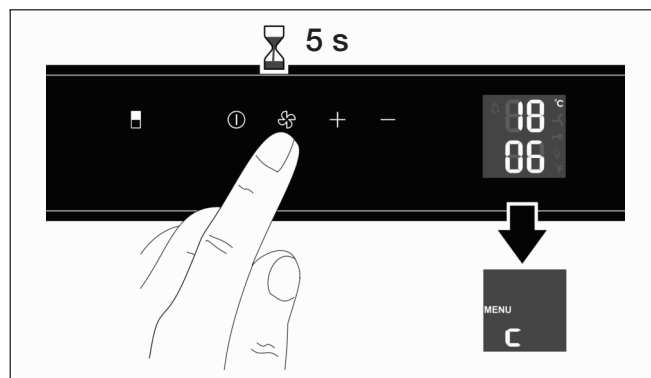


1. Press the **+** or **-** button for the compartment you want to set the temperature for.  
The temperature for the relevant compartment starts flashing on the display.
2. Press the **+** or **-** button repeatedly until the desired temperature has been set.  
  - +** button: increases the temperature (hotter)
  - button: decreases the temperature (colder)
 Pressing the button changes the temperature setting by 1 degree each time.

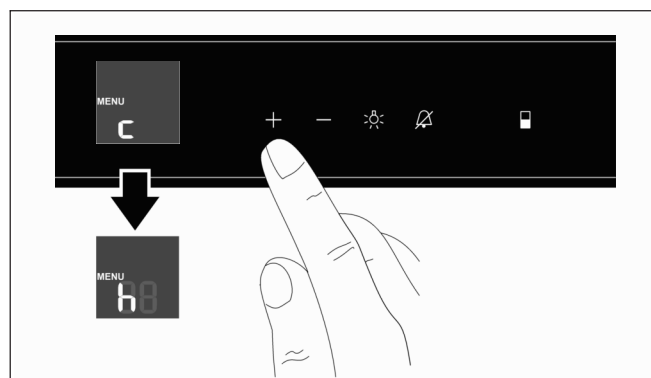
The electronic system will save the set temperature approx. 5 seconds after the last press of the button. The display then reverts to showing the actual temperature.

## Setting the display brightness

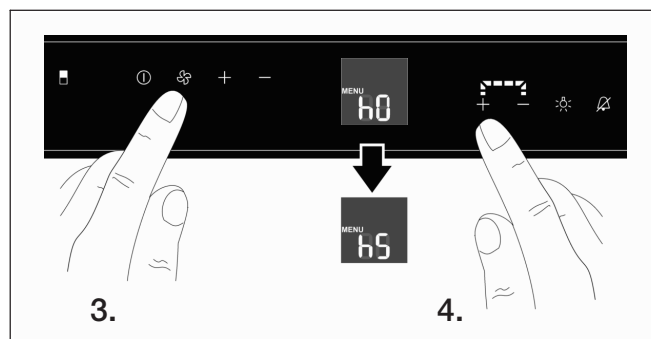
Note:  
When the appliance is first switched on, the set display brightness does not come into effect until the set inside temperatures have been reached.



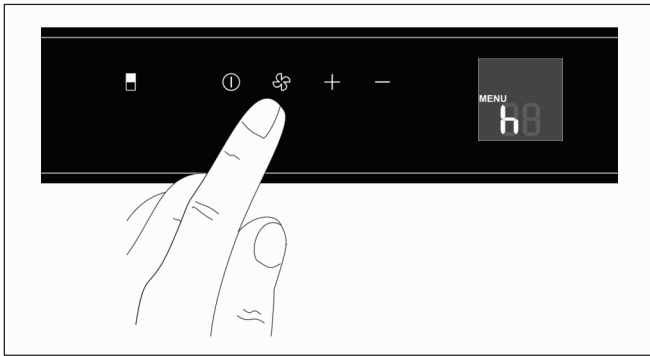
1. Press and hold the fan button for approx. 5 seconds.  
The display then shows "MENU" to indicate setting mode together with a flashing "c" for child lock.



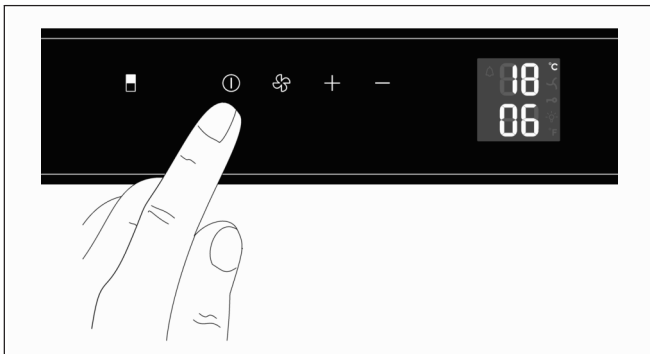
2. Press the right-hand plus button.  
The display shows a flashing "h" for the brightness setting.



3. Press the fan button to confirm.  
The display then shows the current brightness setting: The range extends from "h0" for lighting off to "h5" for maximum brightness.
4. Press the right-hand plus or minus button repeatedly until the desired brightness setting is shown on the display.



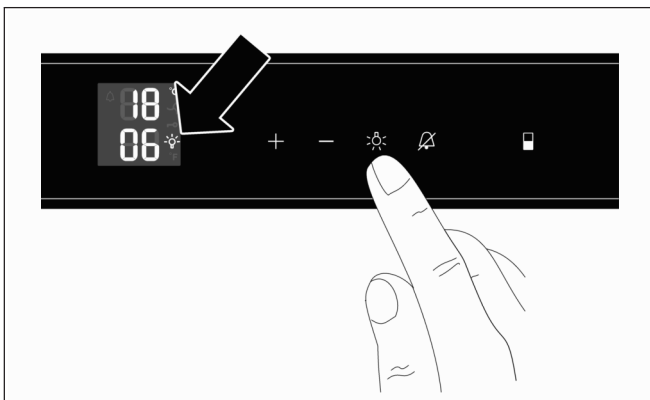
5. Press the fan button to confirm the new setting. The display shows a flashing "h".



6. Press the on/off button to exit setting mode.

The display brightness will change to the new setting after approx. 1 minute.

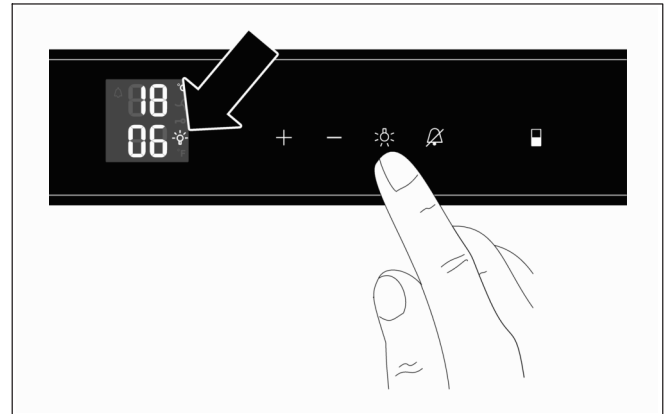
## Switching on the lighting permanently



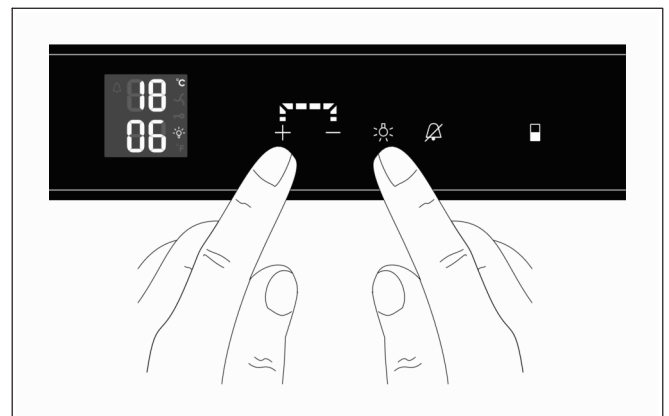
- Press the interior lighting button. The symbol for "interior lighting permanently on" appears on the display.

To switch off the permanent lighting function, press the interior lighting button again.

## Setting the brightness for the permanent lighting



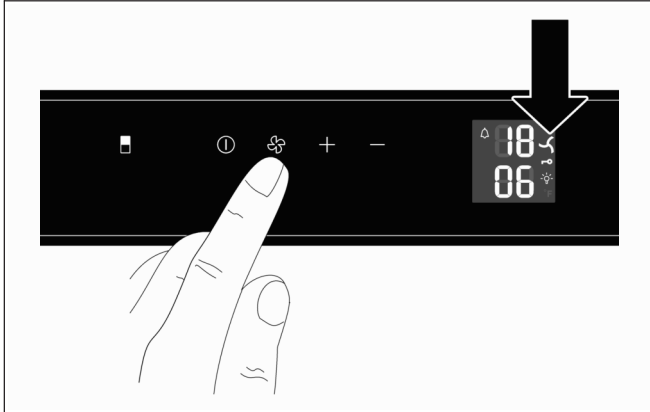
1. Press the interior lighting button. The symbol for "interior lighting permanently on" appears on the display.



2. Press and hold the interior lighting button.
3. Press the plus or minus button to the left of it to set the desired brightness.
4. Release the interior lighting button.
5. If required, press the interior lighting button again to switch off the permanent lighting function.

## Fan

The fan should be switched on when storing wine for long periods. This will create conditions inside the appliance that are similar to a wine cellar. The increased humidity prevents the corks from drying out.



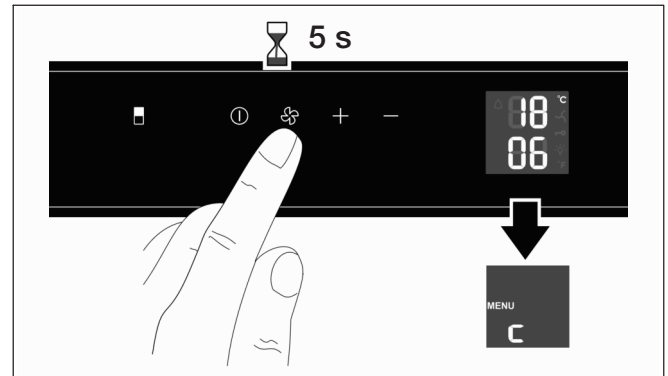
- Press the fan button.  
When the fan is switched on, the fan symbol appears on the display.

The fan can be switched off by pressing the fan button again.

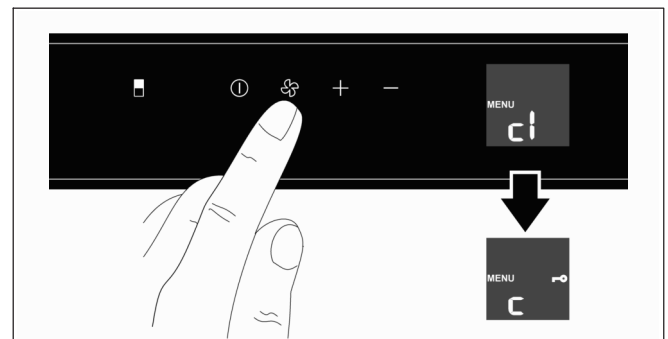
## Child lock

The child lock can be used to protect the appliance from being switched off unintentionally.

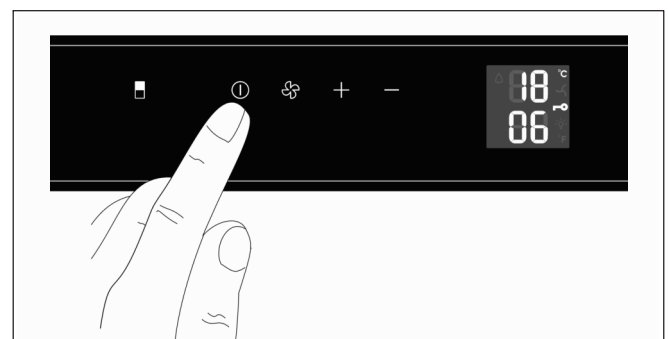
### Enabling the child lock



1. Press and hold the fan button for approx. 5 seconds.  
The display then shows "MENU" to indicate setting mode together with a flashing "c" for child lock.



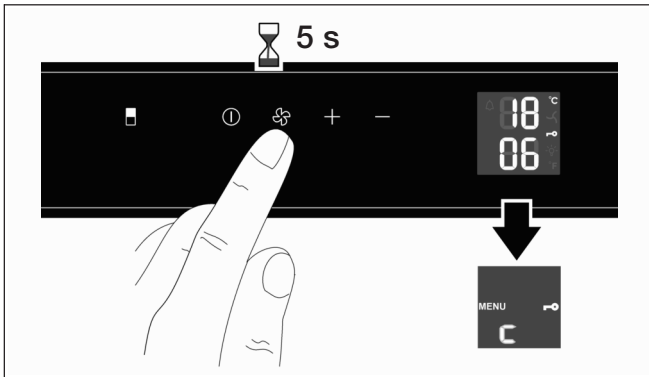
2. Briefly press the fan button.  
The display shows "c1" (enable child lock).
3. Press the fan button to confirm.  
The display shows "c" and the key symbol.



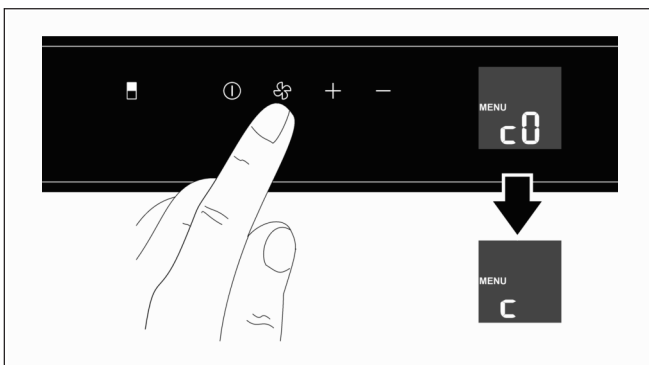
4. Press the on/off button to exit setting mode.

As well as the current temperature, the display shows the key symbol to indicate that the child lock is enabled.

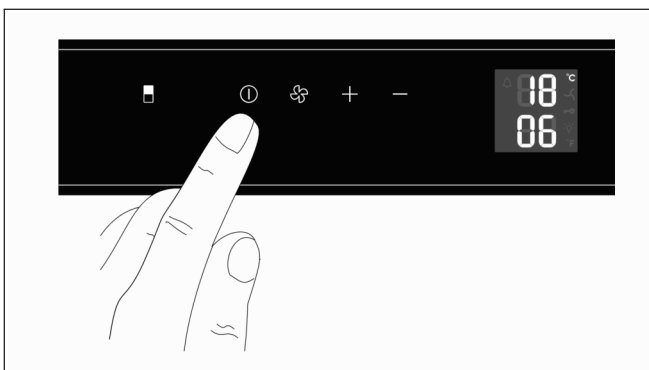
## Disabling the child lock



1. Press and hold the fan button for approx. 5 seconds. The display then shows “MENU” to indicate setting mode together with a flashing “c” for child lock.



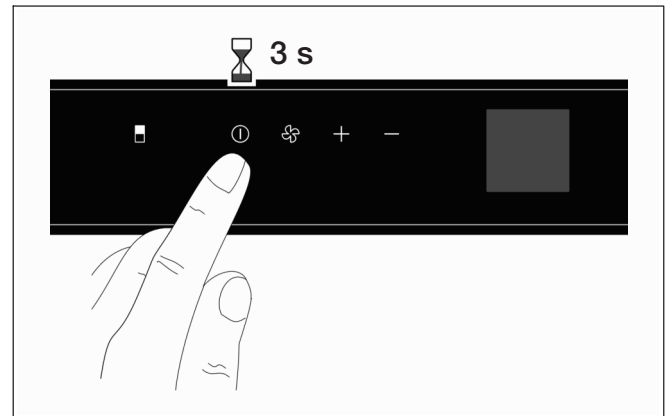
2. Briefly press the fan button. The display shows “c0” (disable child lock).
3. Press the fan button to confirm. The display shows “c”.



4. Press the on/off button to exit setting mode.

The child lock is disabled. The display shows the current interior temperatures.

## Switching off



- Press and hold the on/off button for approximately 3 seconds until the temperature goes out on the display.

## Defrosting

The appliance defrosts itself automatically. The collected moisture is directed through the defrost water outlet to the external evaporation pan. There the defrost water is evaporated by the heat from the compressor.



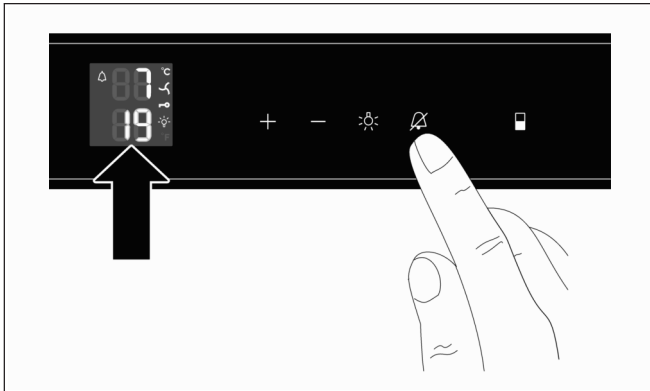
## Alarm

### Temperature alarm

The warning signal helps you protect your wines from unfavourable temperatures. It sounds if the interior of the appliance is too cold or too hot. The temperature on the display flashes too.

It sounds continuously if the door is left open for longer than 60 seconds.

### Muting the temperature alarm



- Press the alarm-off button.

The warning signal is switched off. The temperature will continue to flash on the display until the issue triggering the alarm has been addressed.

### Determining the cause of the alarm

1. First check whether the door has inadvertently not been closed properly.

Note:

The alarm-off function is disabled again every time the door is closed. If required, the warning signal can be switched off again by pressing the alarm-off button.

2. Check whether the display is showing "DEMO". If it is, demonstration mode has inadvertently been enabled; the cooler unit is disabled but the appliance can still be operated as normal.

To deactivate demonstration mode, proceed as follows:

- Press and hold the right-hand plus button and the on/off button at the same time for approx. 5 seconds until the display shows "MENU" and "d".
- Press the fan button. The display then shows "d0".
- Press the fan button again. The cooler unit starts up and the display shows the current temperatures again.

The appliance is now back in normal operating mode.

If the temperature alarm is still sounding after 1 hour, contact the after-sales service.

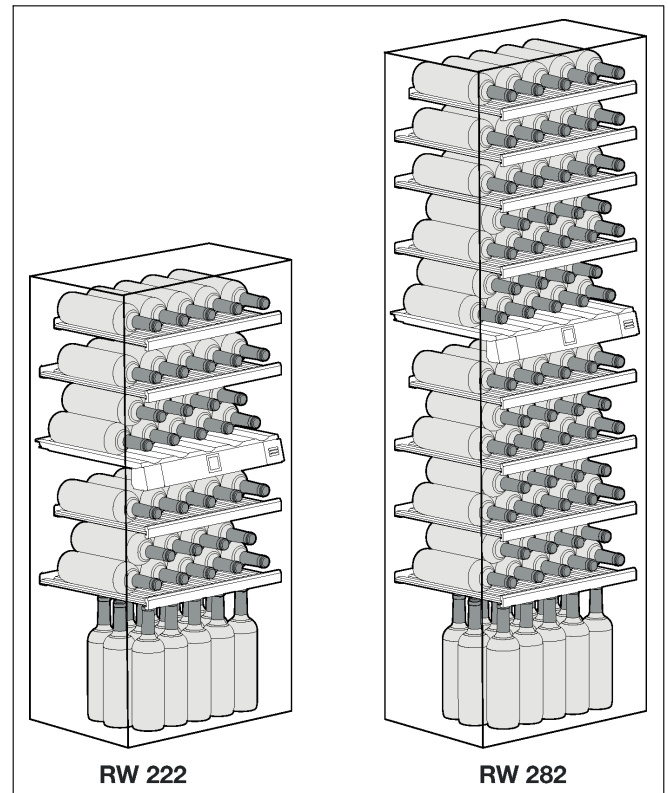
## Storing wine

### Storing

Volume capacity of the appliance:

RW 222	48 bottles*
RW 282	80 bottles*

\* Bottle = 0.75 litre Bordeaux bottle



### Tips

- Bottled wine must be stored unpacked – not in boxes or cartons.
- Bottles that have been opened must be laid in such a way that the cork is always wet. There should never be an air gap between the wine and the cork.
- Before drinking the wine, you should allow it to gradually adjust to room temperature: For example, place rosé wine on the table approx. 2 to 5 hours before drinking, red wine approx. 4 to 5 hours before drinking. It will then be at the correct temperature for drinking. White wine, on the other hand, can be placed directly on the table. Sparkling wine and Champagne should be cooled in the refrigerator shortly before drinking.
- Please note that wine should always be cooled to a slightly lower temperature than the ideal serving temperature as its temperature increases by 1 to 2 °C as soon as it is poured into a glass.

Refer to the instructions in the "Cleaning the appliance" sub-section of the "Maintenance" section.

## Drinking temperatures

Wine type	Drinking temperature
Large Bordeaux red	18 °C
Côtes du Rhône red / Barolo	17 °C
Large Burgundy red / Bordeaux red	16 °C
Port	15 °C
Young Burgundy red	14 °C
Young red wines	12 °C
Beaujolais nouveau / All white wines with little residual sweetness	11 °C
Old white wines / large Chardonnay	10 °C
Sherry	9 °C
Young white wines, late vintage onwards	8 °C
Loire white wines / Entre-deux-Mers	7 °C

---

## Maintenance

---

### Cleaning the appliance

#### Caution!

##### **Unplug the mains plug or switch off the circuit breaker.**

- Use only clean water to clean the door seal, and rub it dry thoroughly.
- Use lukewarm water and washing-up liquid to clean the appliance. The water must not be allowed to get into the control panel or the lighting.
- Use glass cleaner to clean the glass surfaces.
- To prevent damage to the surfaces, under no circumstances use abrasive sponges, metal brushes, sharp-edged implements or scouring agents. Chemically corrosive cleaning agents such as defrosting spray, oven spray, solvents or stain removers must not be used either.
- When choosing a cleaning product for your appliance, make sure that it does not contain any substances that could damage parts of the appliance or leave residues that affect the taste of your wines, such as chlorine, fluorine, bromine or boron compounds.

#### Caution!

Never clean the shelves or containers in the dishwasher. The parts may deform.

After cleaning: Plug the appliance into the mains or switch on the circuit breaker.

Please note that, as with other types of storage, a small amount of mould may form, depending on the kind of label adhesive used. This can be remedied by carefully cleaning adhesive residues off the bottles.

#### WARNING!

Never clean the appliance with a steam cleaner. The steam may come into contact with live electrical components in the appliance and cause a short circuit or electric shock.

The steam may damage the plastic surfaces.

## Care tips for stainless steel surfaces

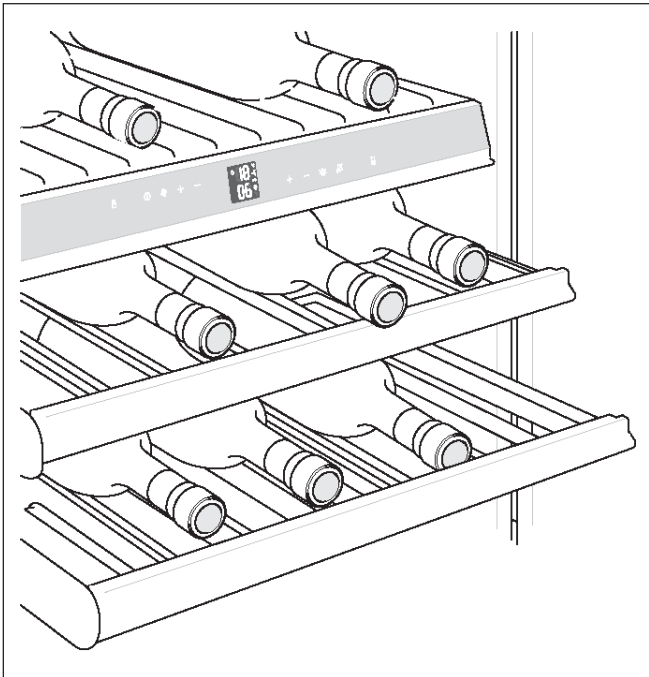
Use “Chromol” cleaner to care for the stainless steel surfaces.

This cleaner is available from retailers as “Chromol” or from the after-sales service by quoting

- **article no. 00310359** for the 500 ml spray can or
- **article no. 00166787** for a 50 ml sample bottle.

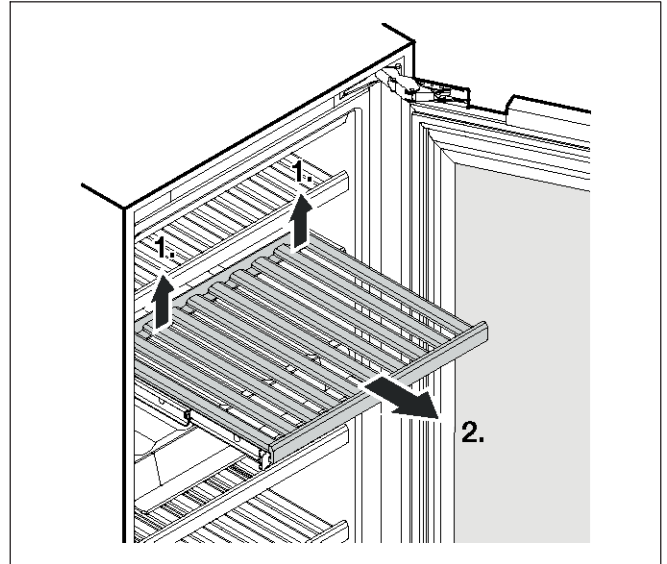
## Removing/inserting the extendable bottle trays

The extendable bottle trays allow the wine bottles to be taken out easily.



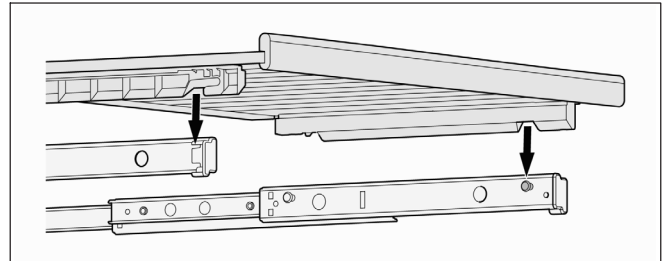
The extendable bottle trays can be removed to make it easier to clean the interior.

## Removing an extendable bottle tray

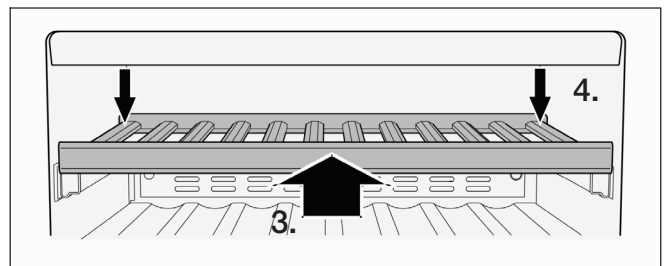


- Lift up (disengage) the extendable bottle tray at the back on both sides and then pull it forwards to remove it.

## Inserting an extendable bottle tray

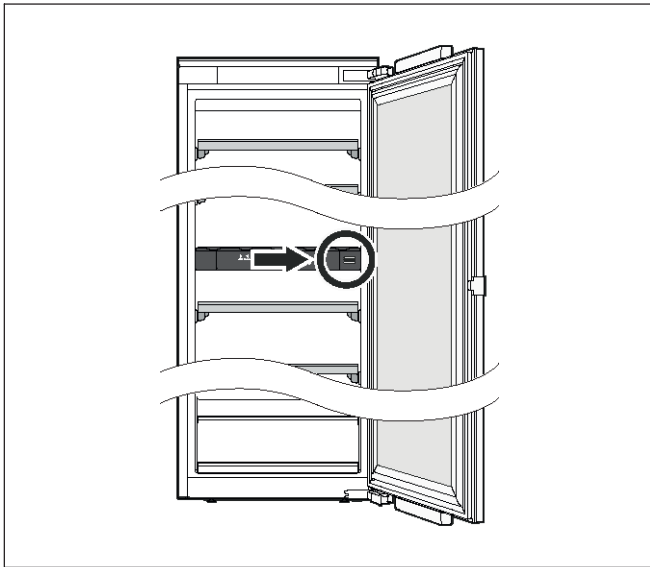


1. Pull the tray rails all the way out. Fit the front recesses of the extendable bottle tray onto the locating studs.
2. Push the extendable bottle tray and the tray rails as far as possible into the appliance.

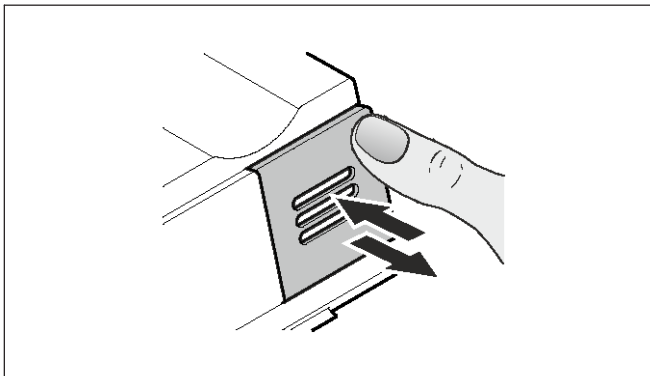


3. Push the extendable bottle tray all the way back so that it snaps into position at the front.
4. Push down the extendable bottle tray at the back on both sides so that it engages.

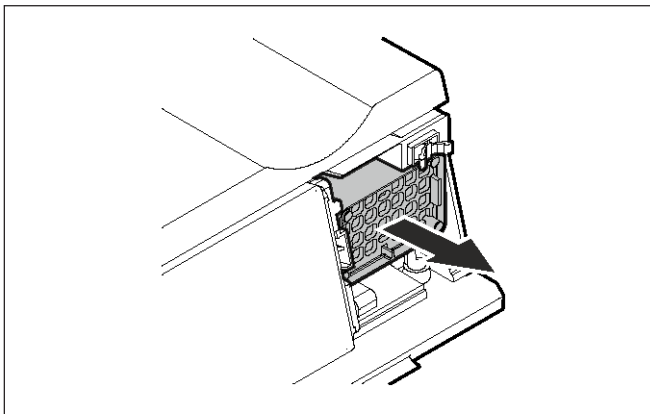
## Replacing the activated charcoal filter



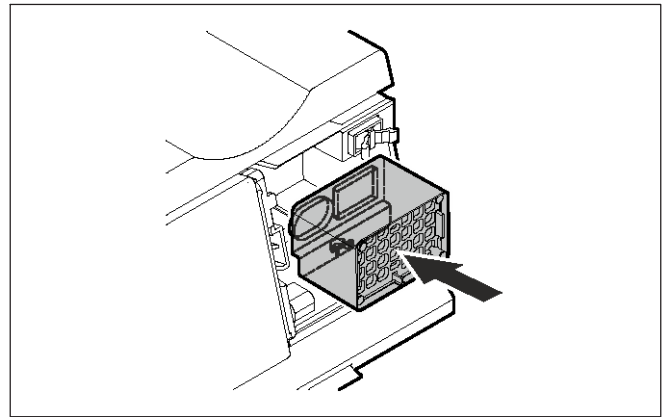
We recommend that you replace the filter shown here once a year. Replacement filters are available from your specialist retailer or the after-sales service.



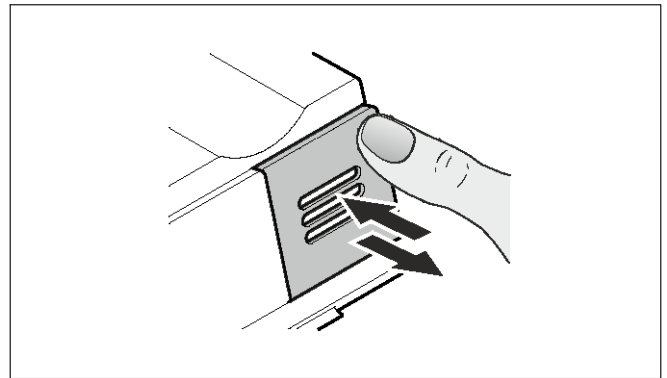
1. Press in the cover, then release it.



2. Pull the filter out.



3. Insert a new filter.



4. Put the cover on, press it in as far as it will go, then release it. The cover is locked in place automatically. You will hear a click.

---

## Noises

---

### Normal noises

**Humming:** There is a motor running, e.g. for the cooler unit or fan.

**Bubbling, whirring or gurgling:** Refrigerant is flowing through the pipes.

**Clicking:** A motor, switch or solenoid valves is/are switching on or off.

### Avoiding noises

**Containers, shelves or trays loose or sticking:** Check removable parts and re-insert them correctly as required.

**Bottles or containers touching one another:** Move bottles or containers slightly apart from one another.

---

## Faults and what to do about them

---

### Before calling the after-sales service:

Check whether you can rectify the fault yourself by using the instructions below.

You must pay the cost of the after-sales service advice – even during the guarantee period.

### Rectifying faults yourself

You can rectify the following faults yourself by investigating the possible causes:

#### Appliance is not working

Please check

- whether the mains plug is properly plugged into the socket and/or
- whether the socket fuse has blown.

#### The cooler unit does not start up when the mains plug is plugged in but the display shows a temperature

If “DEMO” lights up on the display, it means that demonstration mode has been inadvertently activated.

To deactivate demonstration mode, proceed as follows:

1. Press and hold the right-hand plus button and the on/off button at the same time for approximately 5 seconds until the display shows “MENU” and “d”.
2. Press the fan button.  
The display then shows “d0”.
3. Press the fan button again.  
The cooler unit starts up and the display shows the current temperatures again.

The appliance is back in normal operating mode.

#### The compressor is running for a long time

In energy-saving appliances, the compressor switches to a low speed when cooling requirements are low. This saves energy despite increasing the running time.

#### The temperature in your wine cooling cabinet is too high

Please check

- the temperature setting with reference to the “Setting the temperature” section,
- whether a separately inserted thermometer is showing the right temperature,
- whether the ventilation is working,
- whether the appliance is located too close to a source of heat.

---

## Shutting down the appliance

---

If the appliance is not to be used for an extended period of time:

- Switch off the appliance.
- Unplug the appliance from the mains or switch off the circuit breaker.
- Clean the appliance.
- Leave the door open to prevent odours from forming.

## Customer service

If you have any queries or are unable to eliminate faults on the appliance yourself or if your appliance needs to be repaired, contact Customer Service.

You can solve many problems yourself by consulting the information on troubleshooting in these instructions or on our website. If this is not the case, contact Customer Service.

We will always find an appropriate solution and try to avoid unnecessary visits being made by a Customer Service technician.

With any warranty claims, we will make sure that your appliance is repaired by trained Customer Service technicians using genuine spare parts, including after the manufacturer's warranty has expired.

For safety reasons, repairs to the appliance should only be carried out by trained specialist staff. The warranty claim becomes void if repairs or interventions have been carried out by persons not authorised by us for that purpose or if our appliances have been fitted with spare, supplementary or accessory parts that were not genuine parts and then resulted in a defect.

Function-relevant genuine spare parts according to the corresponding Ecodesign Directive can be obtained from Customer Service for a period of at least 10 years from the date on which your appliance was placed on the market within the European Economic Area.

Note: Under the terms of the manufacturer's warranty applicable to the location, the use of Customer Service is free of charge. The minimum duration of the warranty (manufacturer's warranty for private consumers) in the European Economic Area is 2 years (except for Denmark and Sweden, where it is 1 year) according to the terms of warranty applicable to the location. The terms of warranty do not affect other rights or claims held by yourself under local legislation.

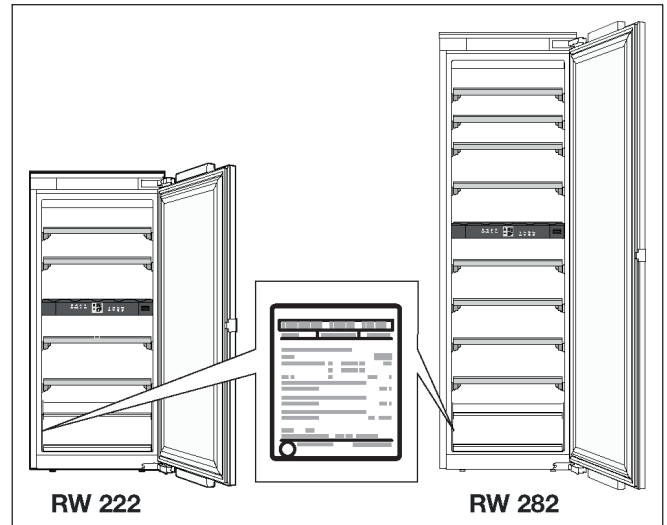
Detailed information about the warranty period and terms of warranty in your country are available from Customer Service, your dealer or our website.

When contacting Customer Service, you will need the product number (E-Nr.) and the production number (FD) of your appliance.

The contact details for Customer Service can be found in the enclosed Customer Service directory or on our website.

## Product number (E-Nr.) and production number (FD)

The product number (E-Nr.) and the production number (FD) can be found on the rating plate of the appliance.



Make a note of your appliance's details and the Customer Service telephone number to find them again quickly.

## Technical data

Refrigerant, net volume and further technical specifications can be found on the rating plate.

More information about your model can be found online at <https://www.bsh-group.com/energylabel> (only applies to countries in the European Economic Area). This web address is linked to the official EU EPREL product database. At the time of printing its web address had not yet been published. Please then follow the instructions on how to search for models. The model identifier is made up of the characters before the slash in the product number (E-Nr.) on the rating plate. Alternatively, you can also find the model identifier in the first line of the EU energy label.

## Repair order and advice in the event of faults

The attached after-sales service directory contains the contact details for all countries.

GB	0344 892 8988	Calls charged at local or mobile rate.
IE	01450 2655	0.03 EUR per minute at peak. Off peak 0.0088 EUR per minute.

**Gaggenau Hausgeräte GmbH**

Carl-Wery-Straße 34  
D-81739 München  
www.gaggenau.com

Valid within Great Britain:  
Imported to Great Britain by  
BSH Home Appliances Ltd.  
Grand Union House  
Old Wolverton Road  
Wolverton, Milton Keynes  
MK12 5PT  
United Kingdom

8001090022 (010805)



**GAGGENAU**