

RF411305

RF411306

RF461305

RF461306

RF471305

RF471306

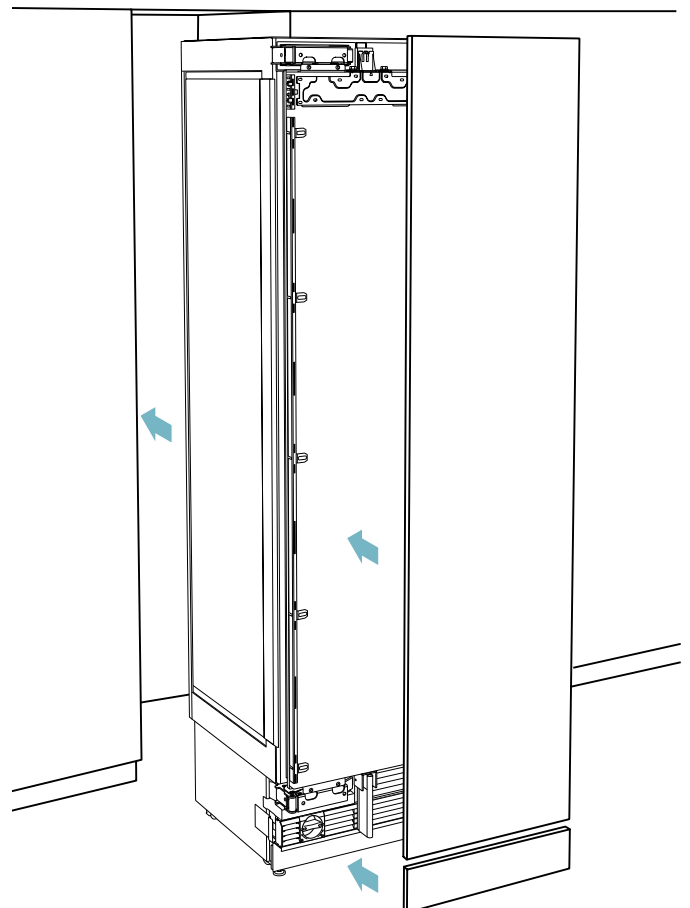
RF411304

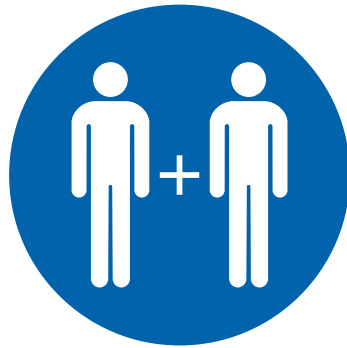
RF461304

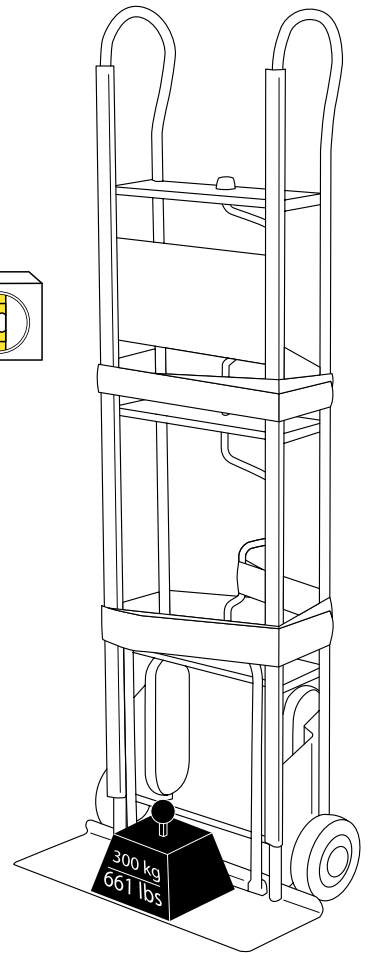
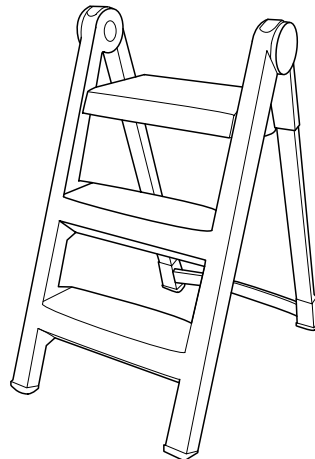
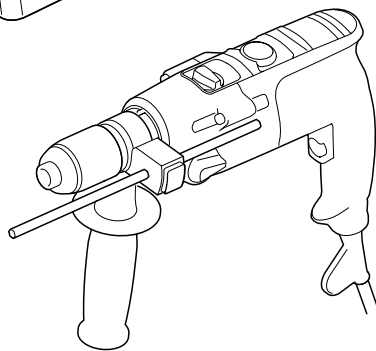
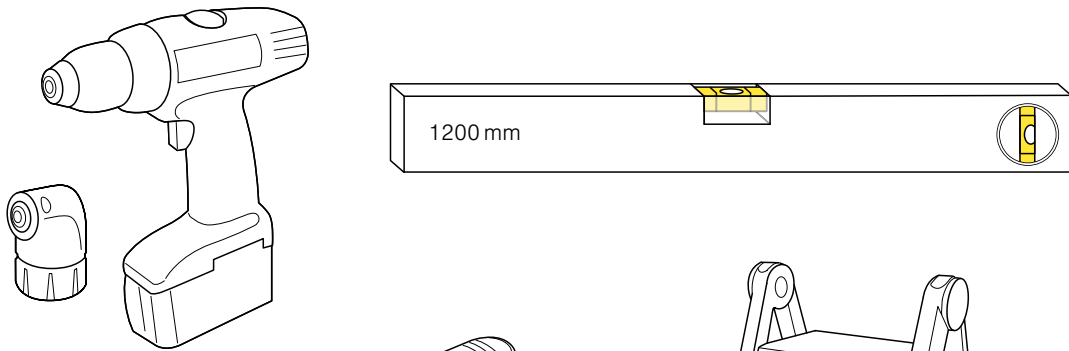
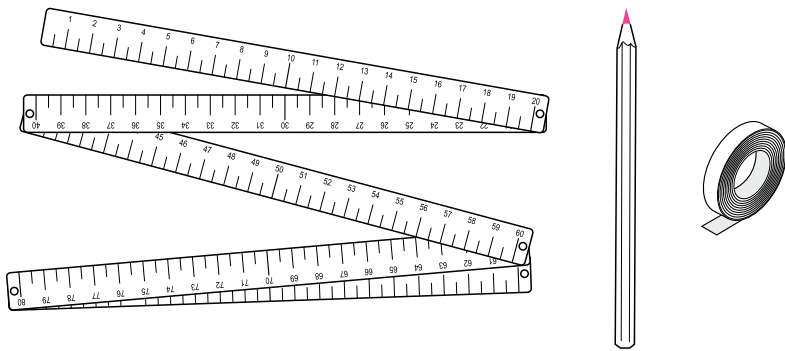
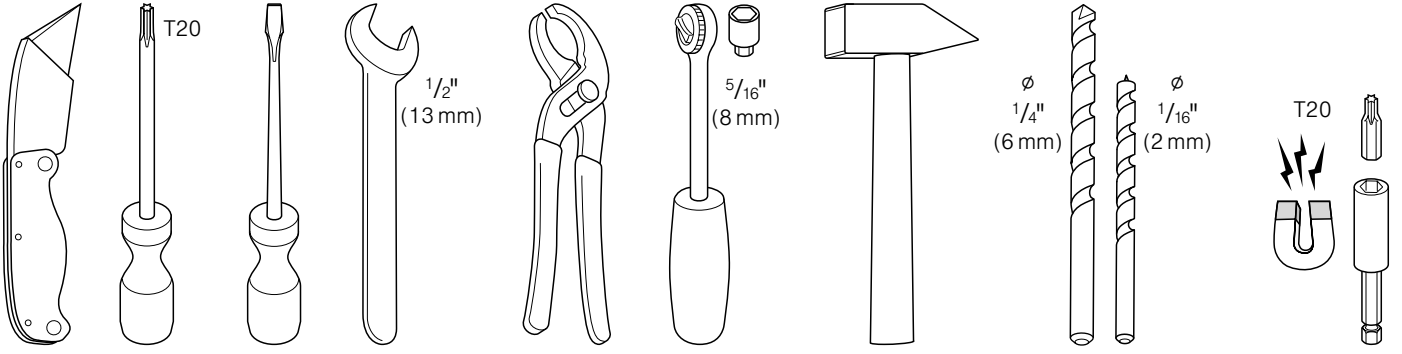
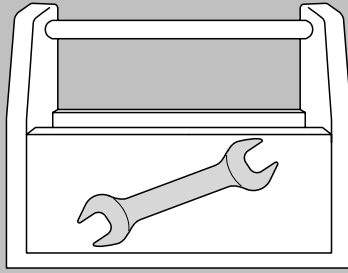
RF471304

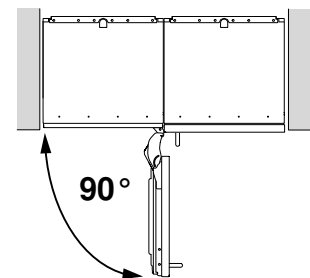
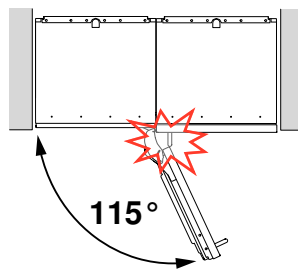
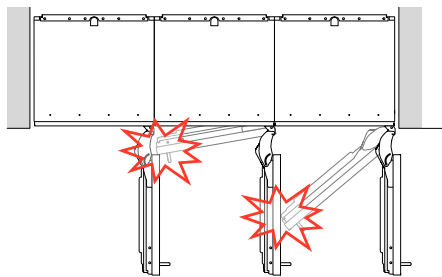
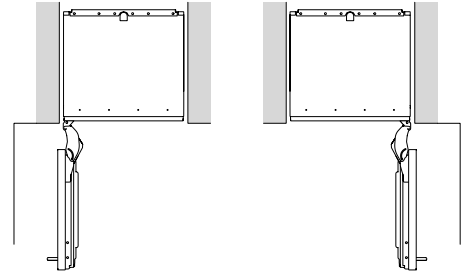
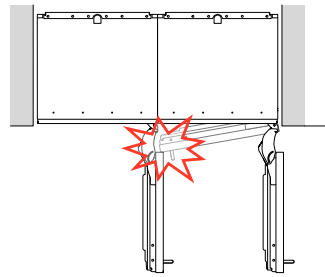
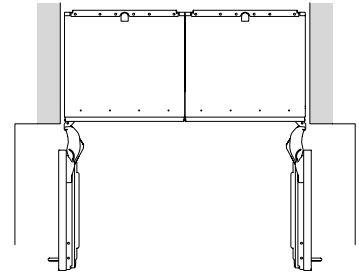
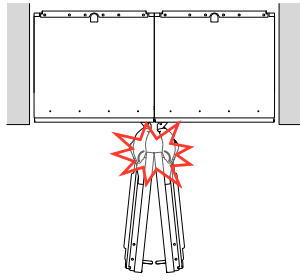
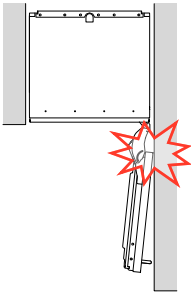
RF411904

RF461904



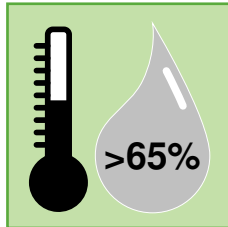




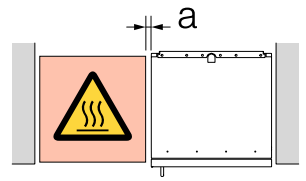
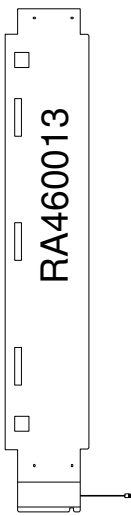
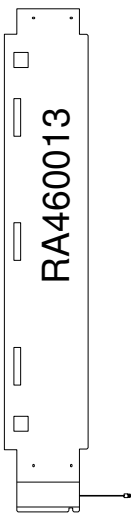




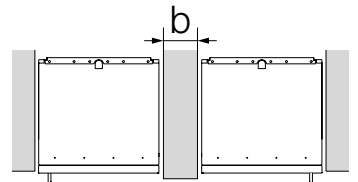
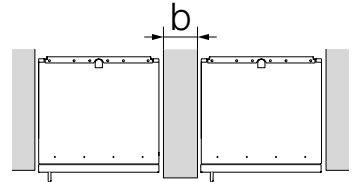
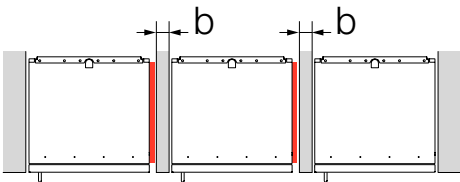
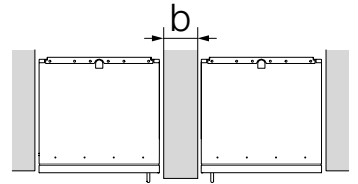
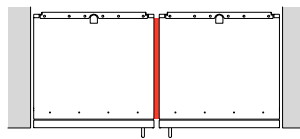
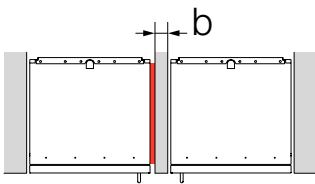
$\frac{5}{8}'' \leq b < 6\frac{1}{4}''$
(16 mm \leq b < 160 mm)

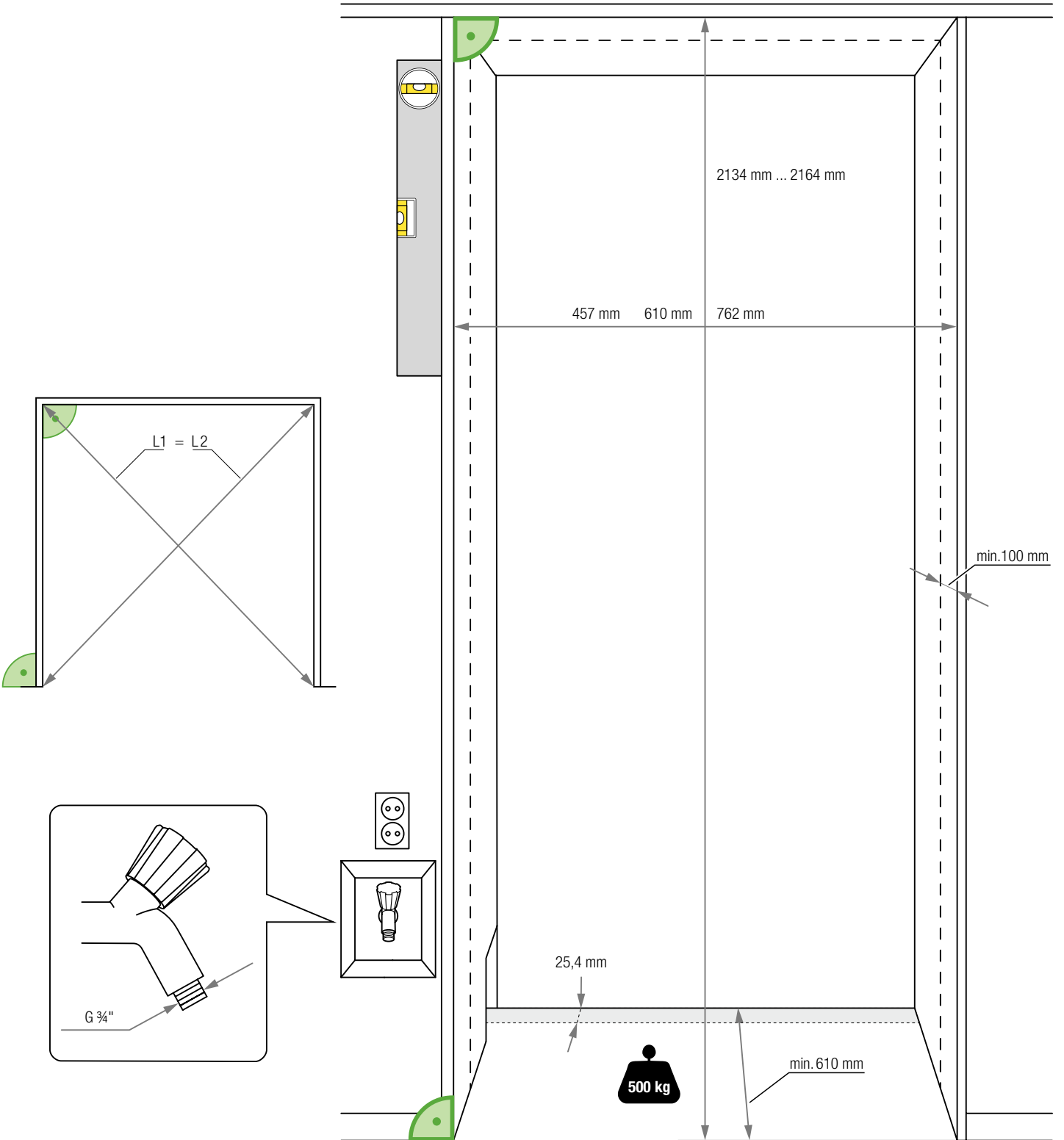
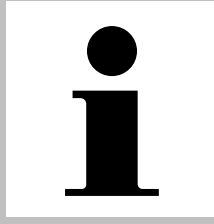


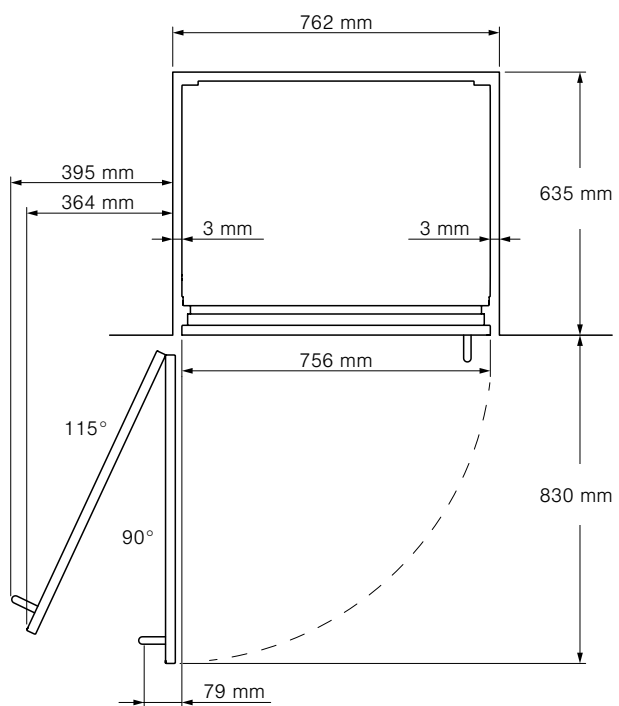
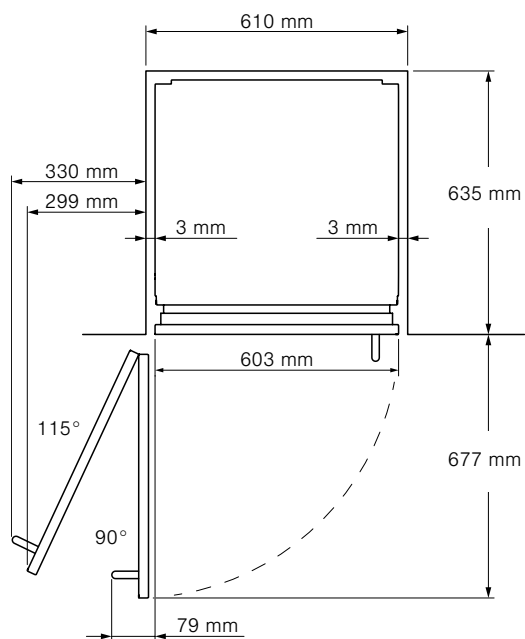
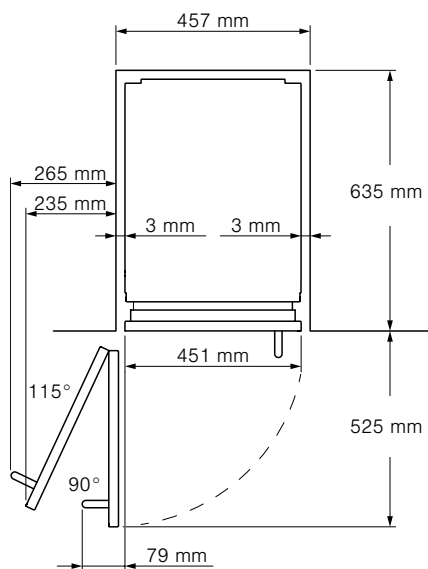
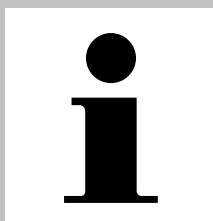
$a \geq 1\frac{3}{16}''$
(a \geq 30 mm)

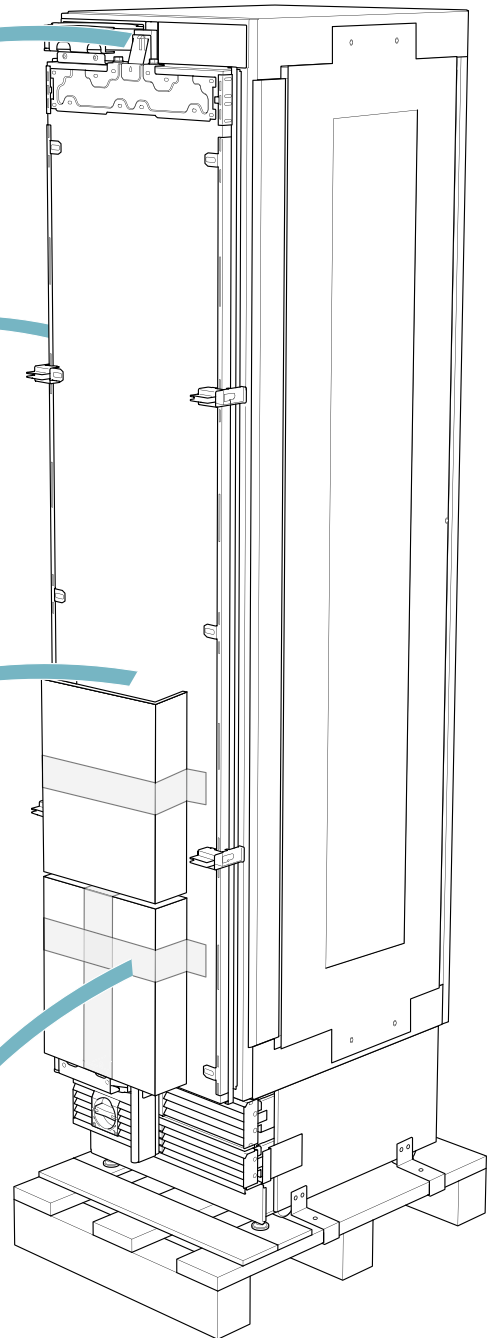
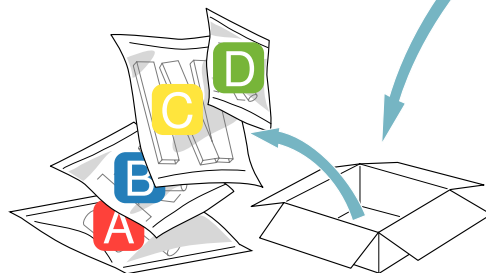
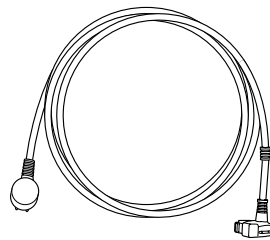
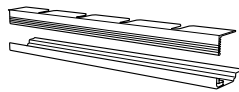
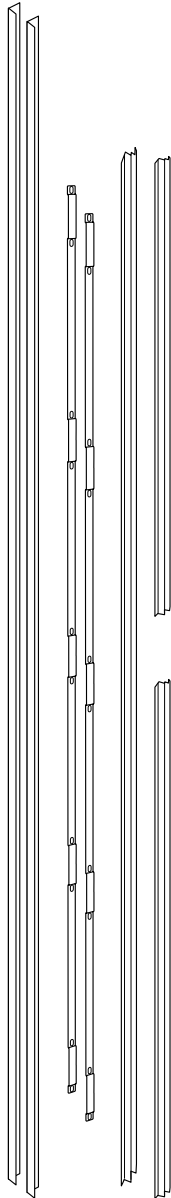
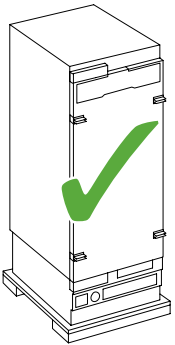
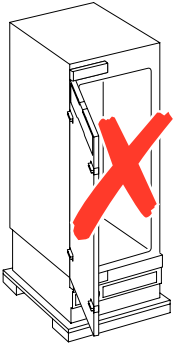
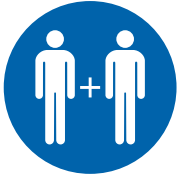


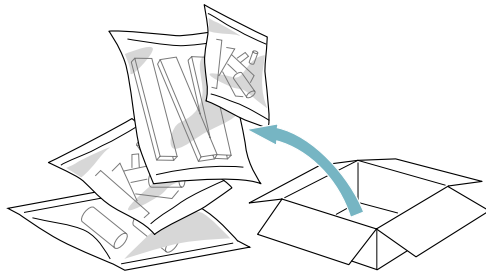
$b \geq 6\frac{1}{4}''$
 $b \geq 160$ mm




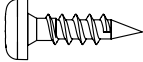


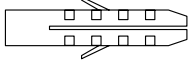


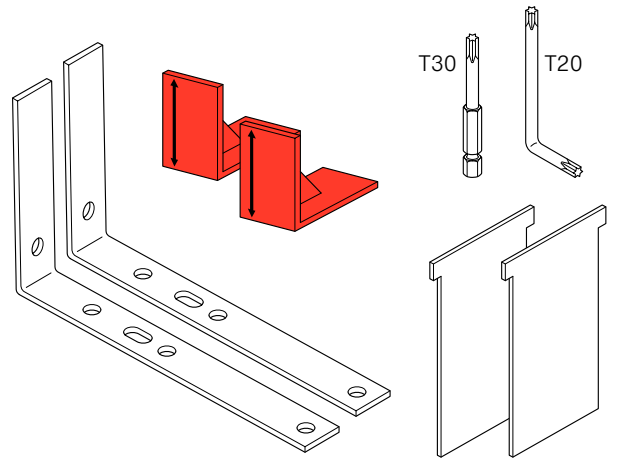



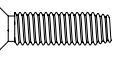


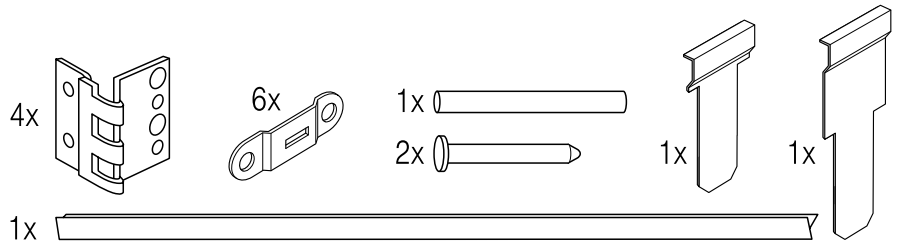


A



4x15			6x
5x60			4x
6x31			4x







M5x16			28x
-------	-------------------------------------------------------------------------------------	-------------------------------------------------------------------------------------	-----

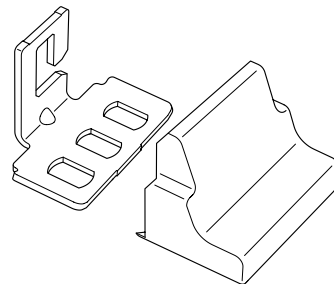


B

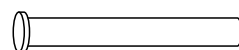
4x15			8x
------	-------------------------------------------------------------------------------------	-------------------------------------------------------------------------------------	----

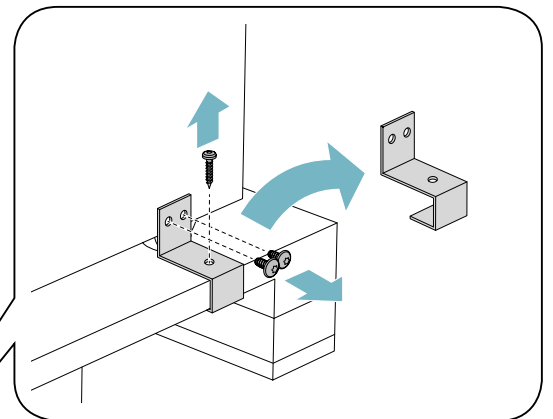
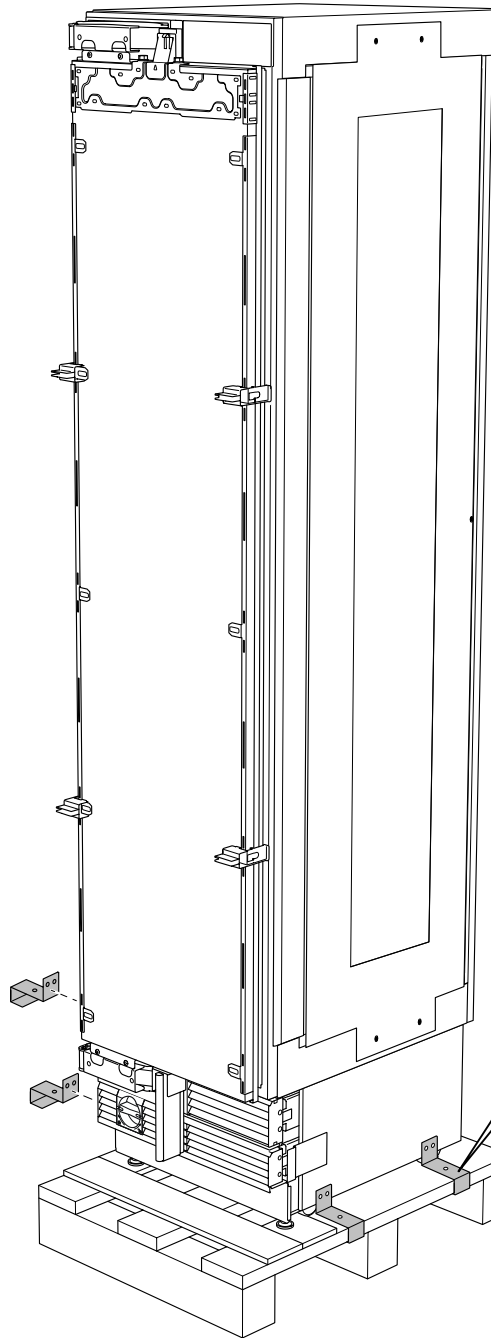
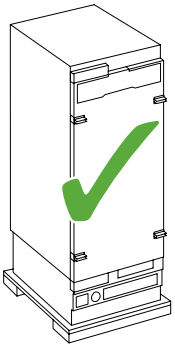
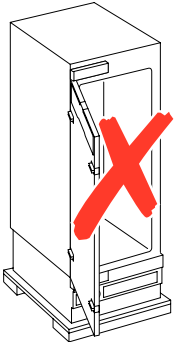
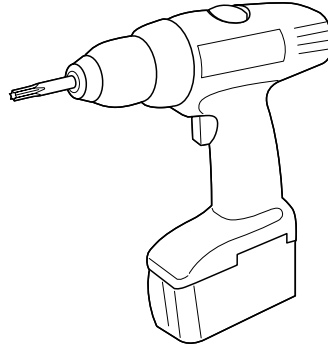
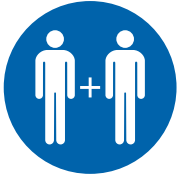
C

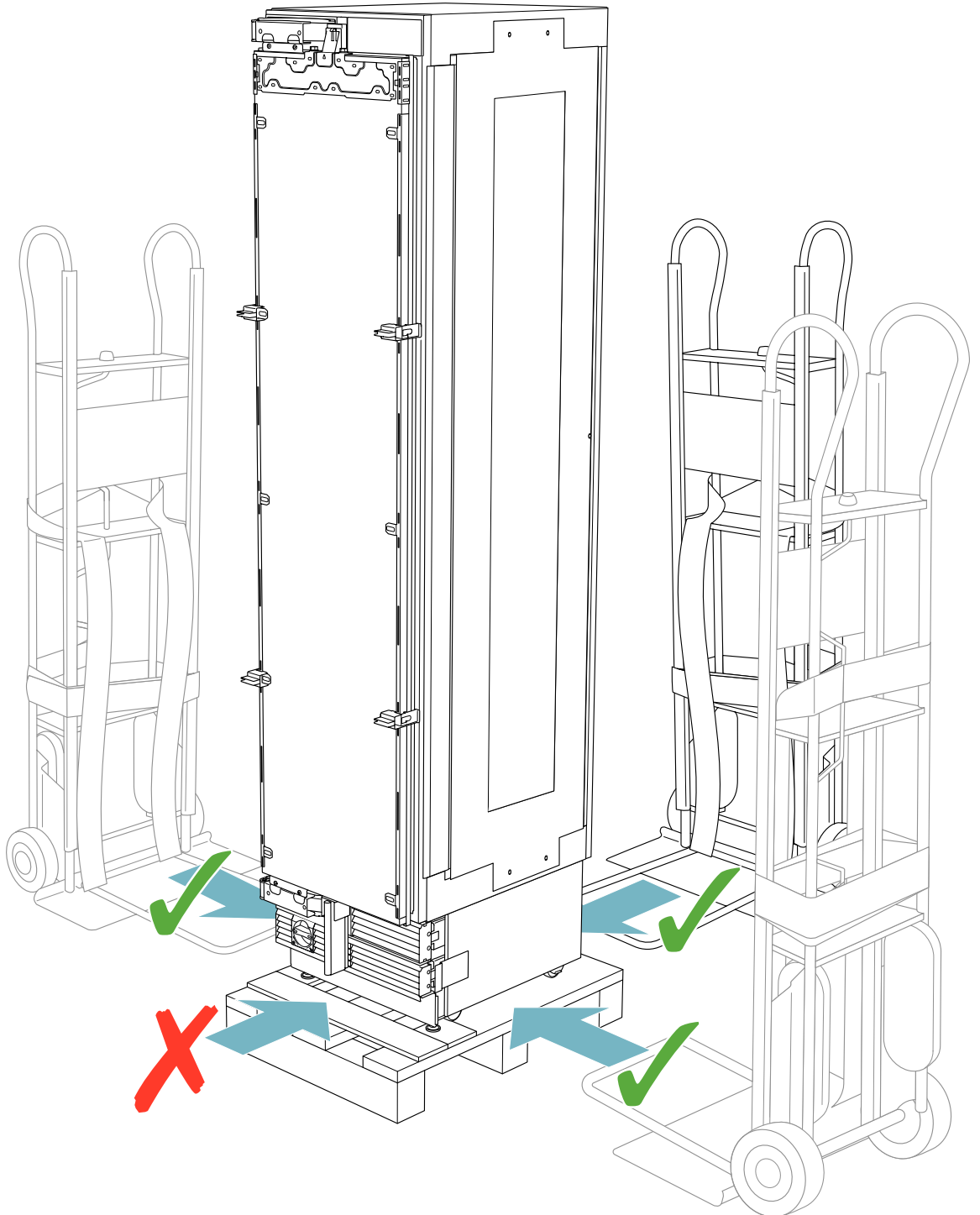
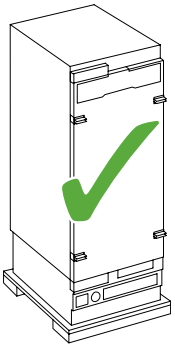
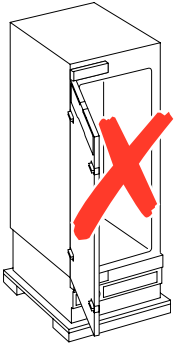
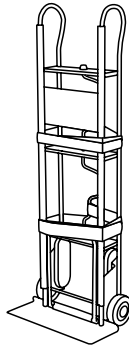
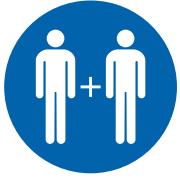
4x15			32x
4x15			2x

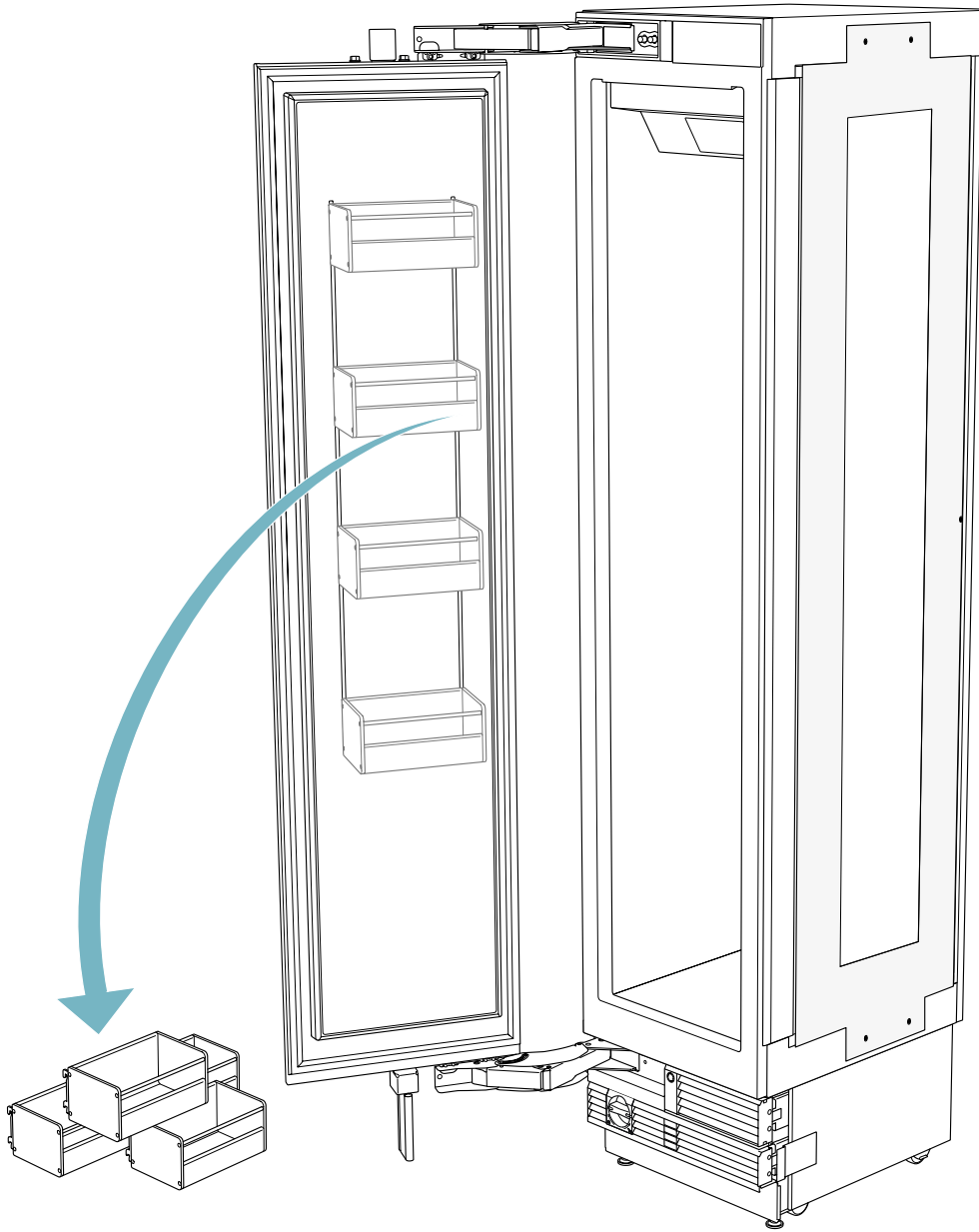
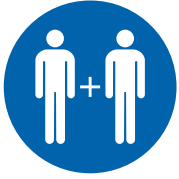


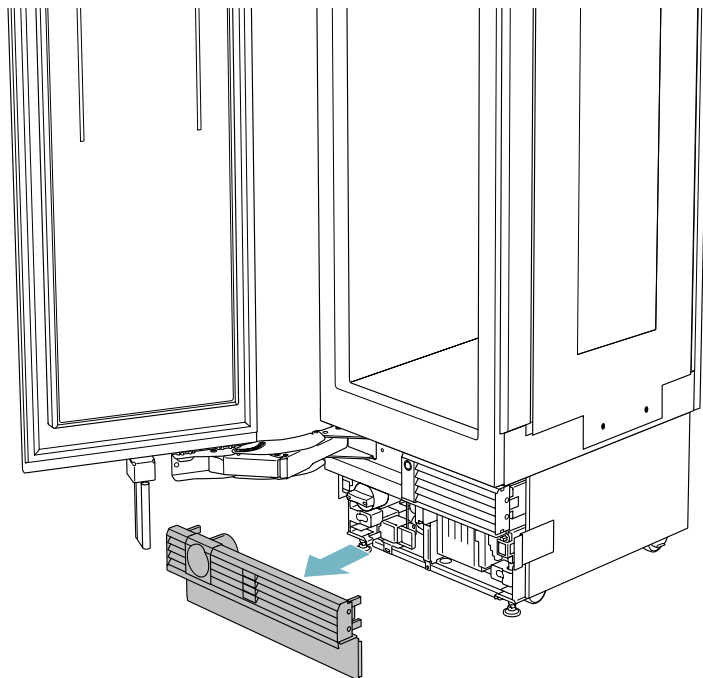
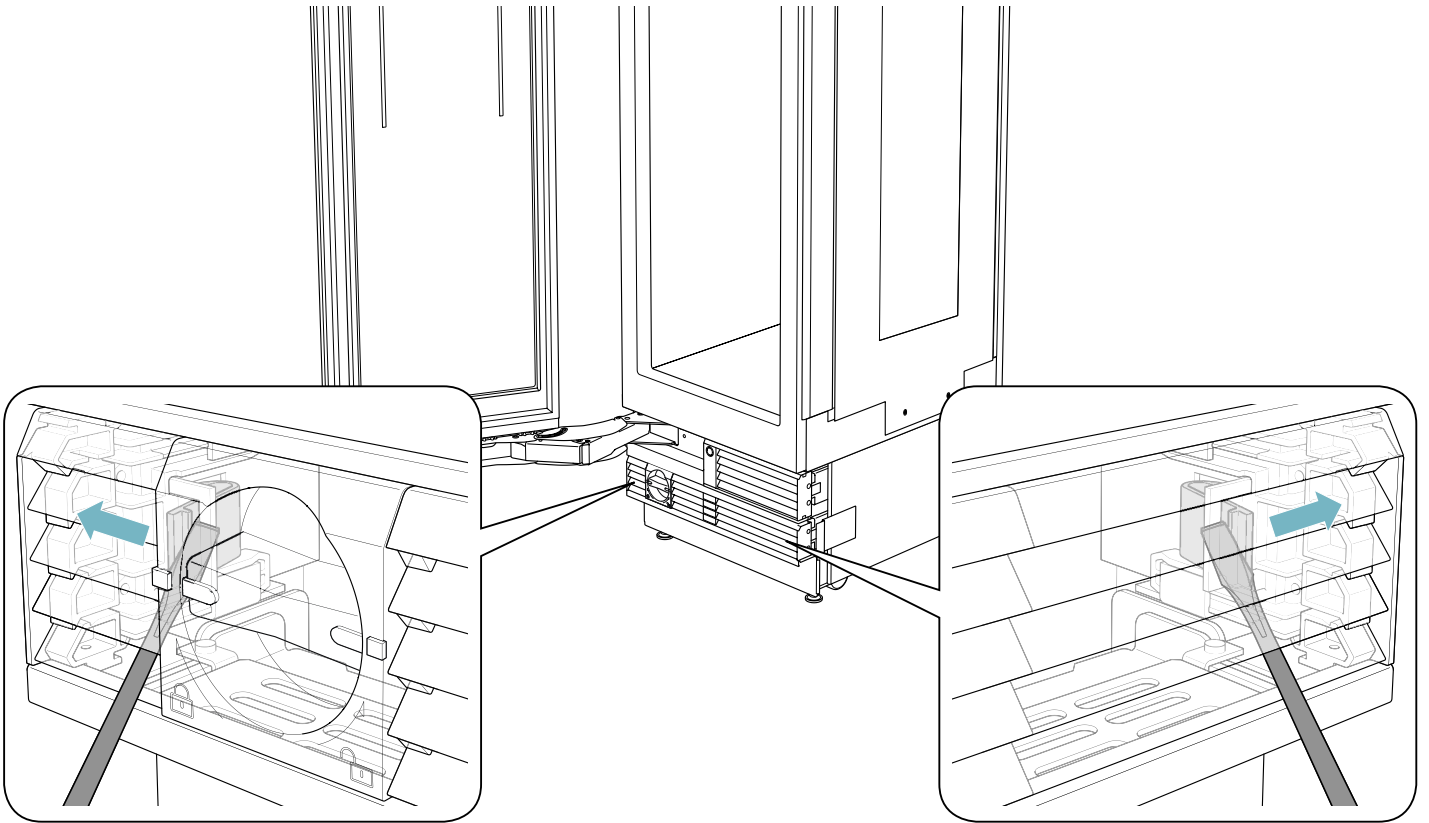
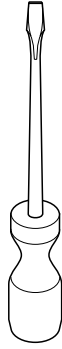
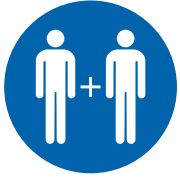
D

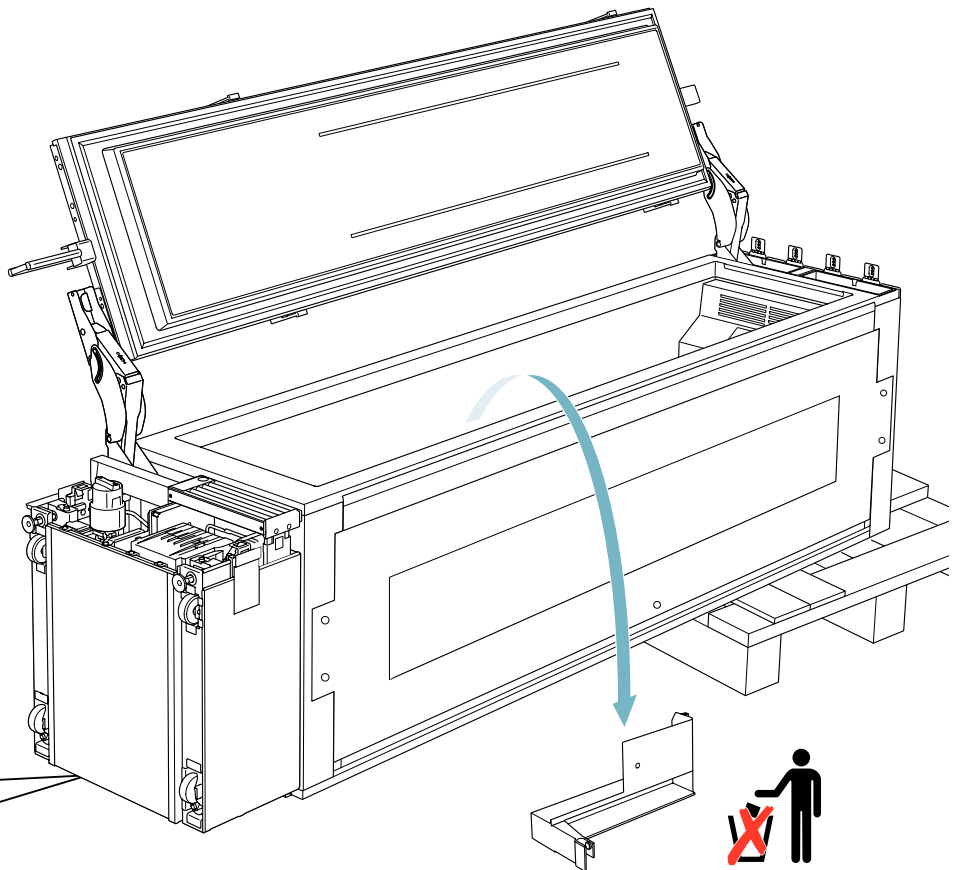
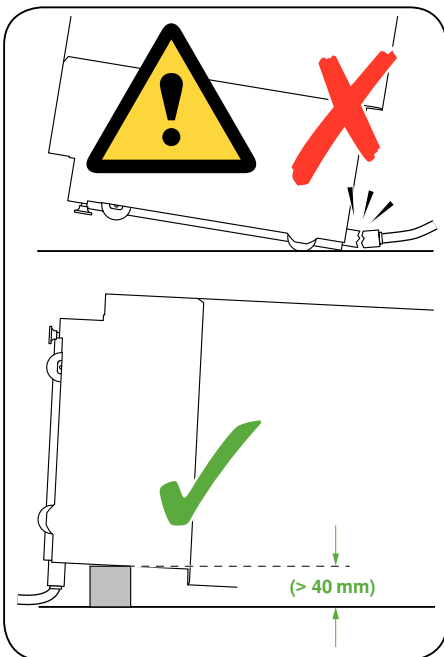
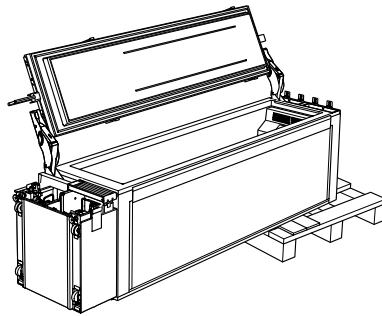
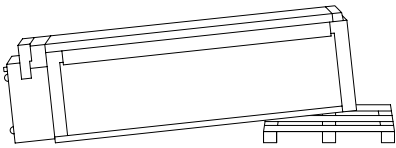
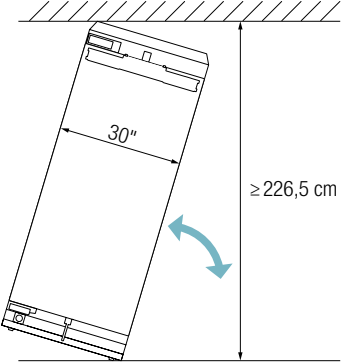
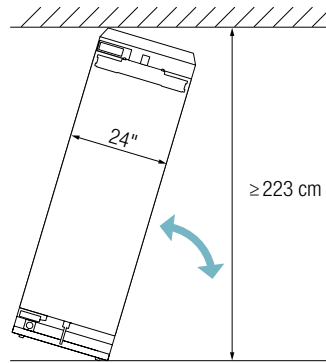
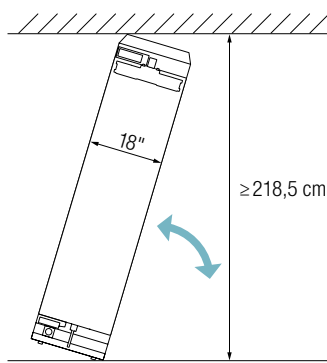
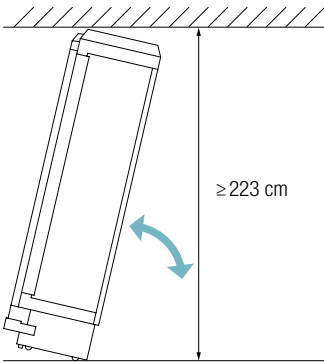
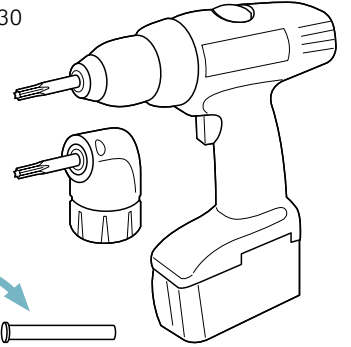
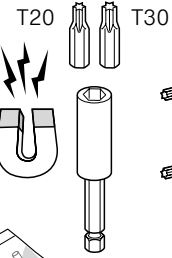
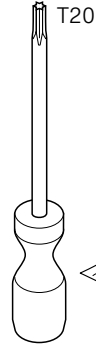
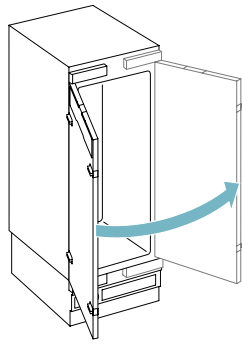
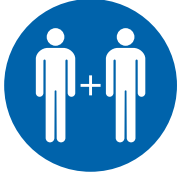




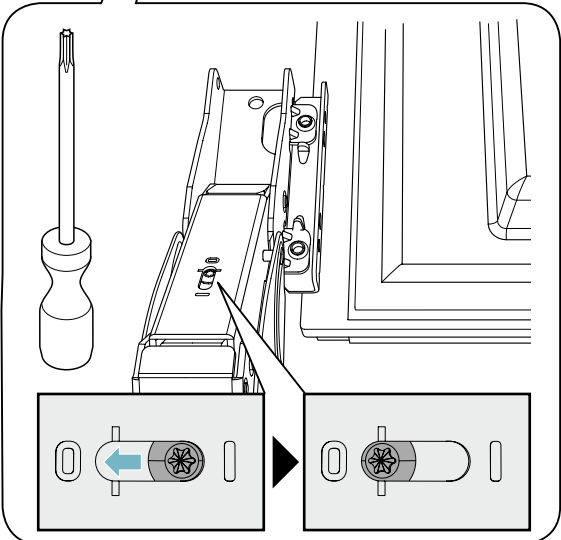
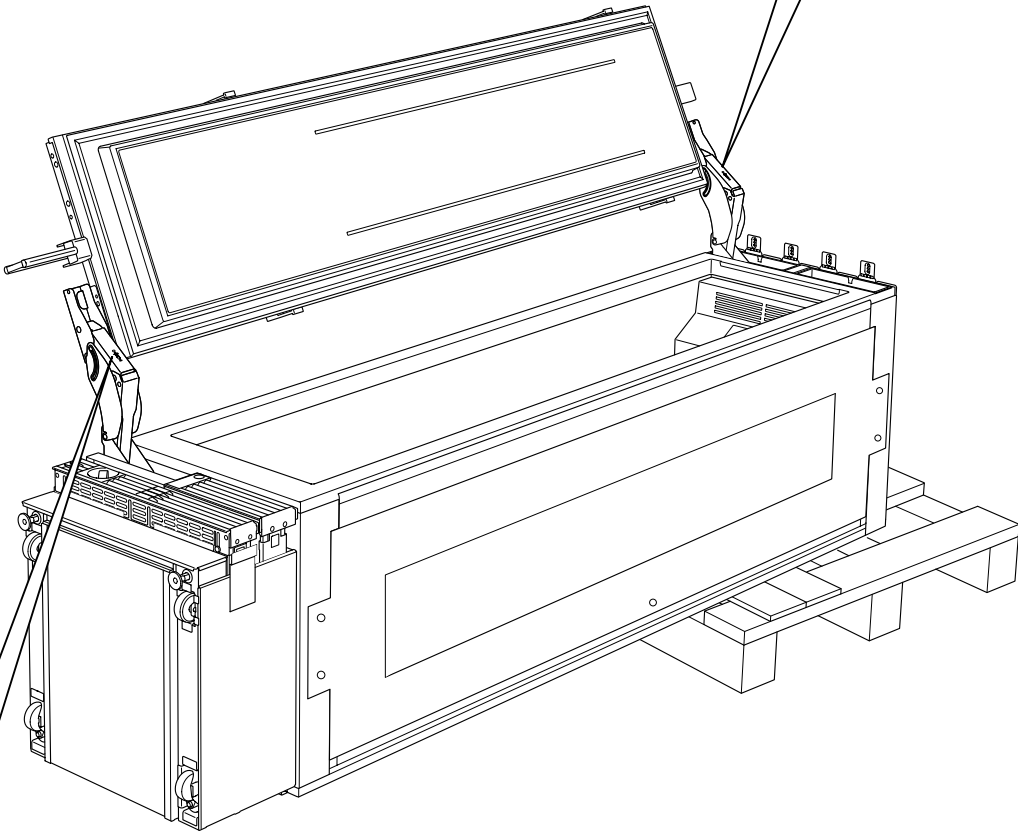
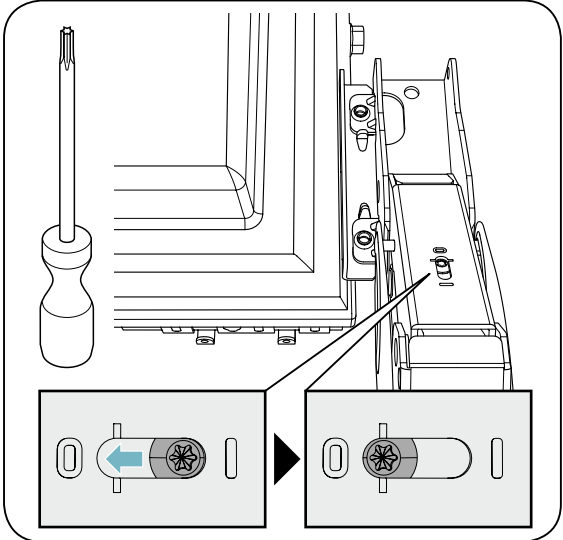
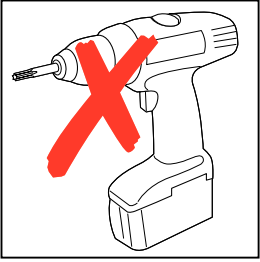


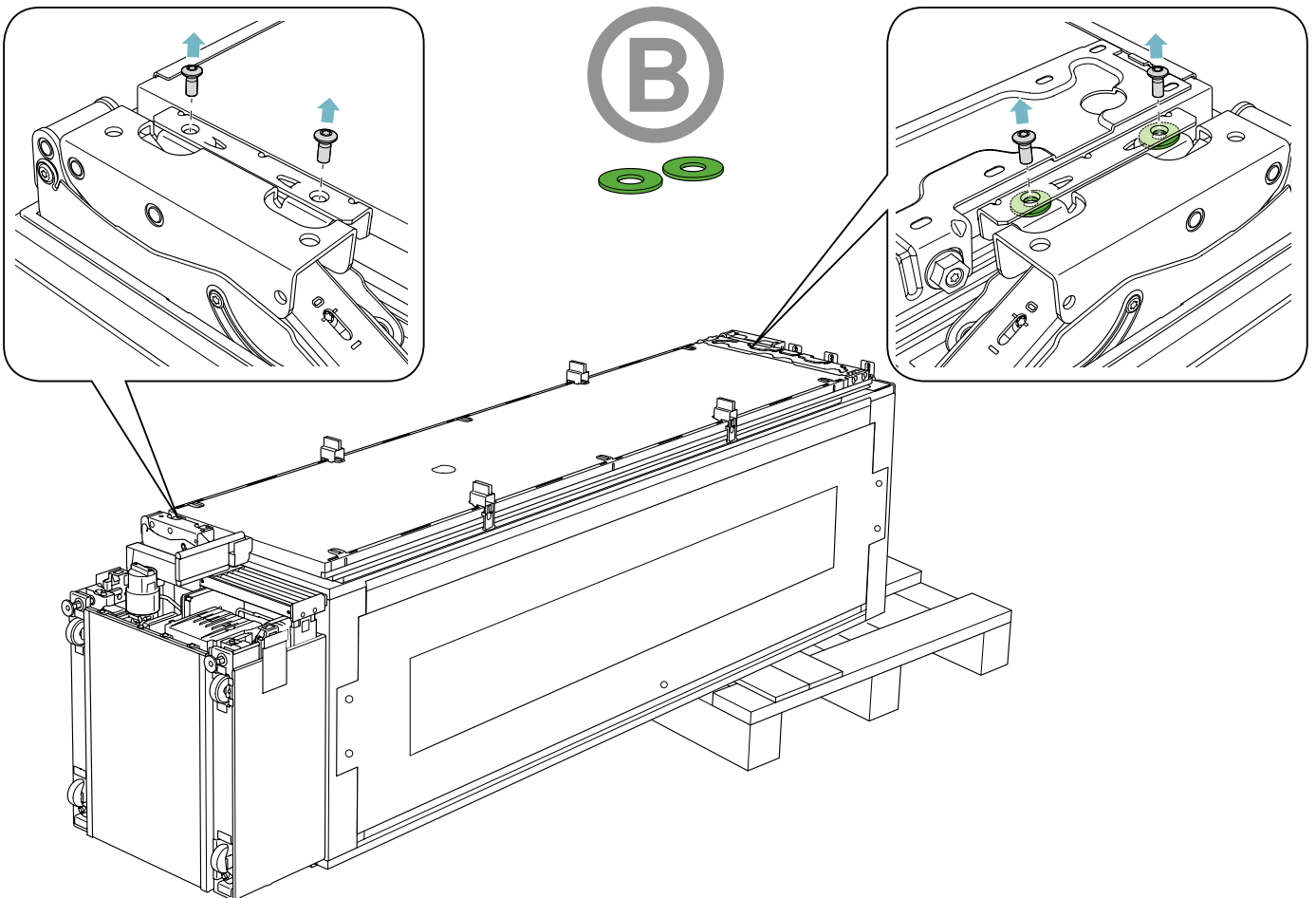
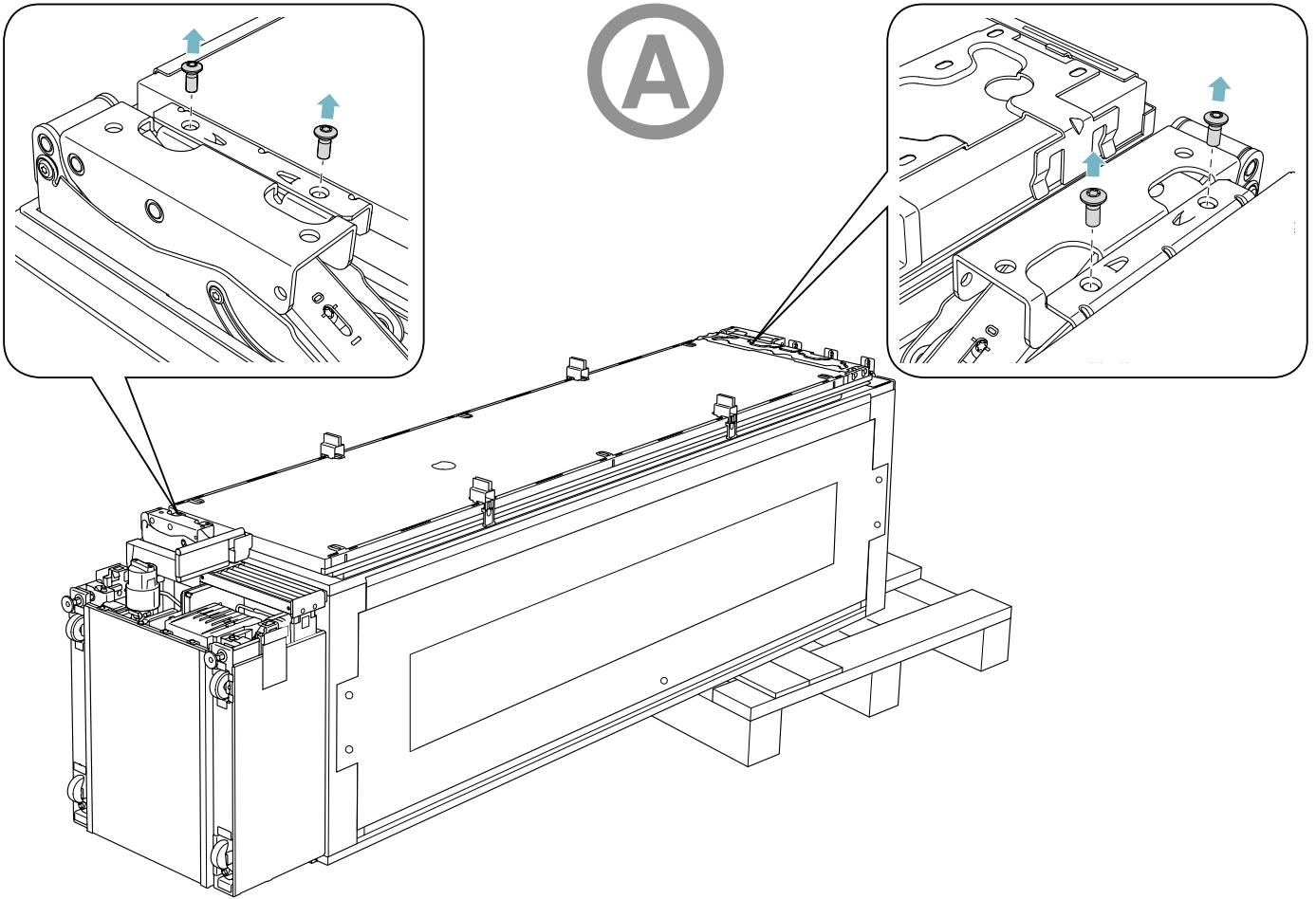




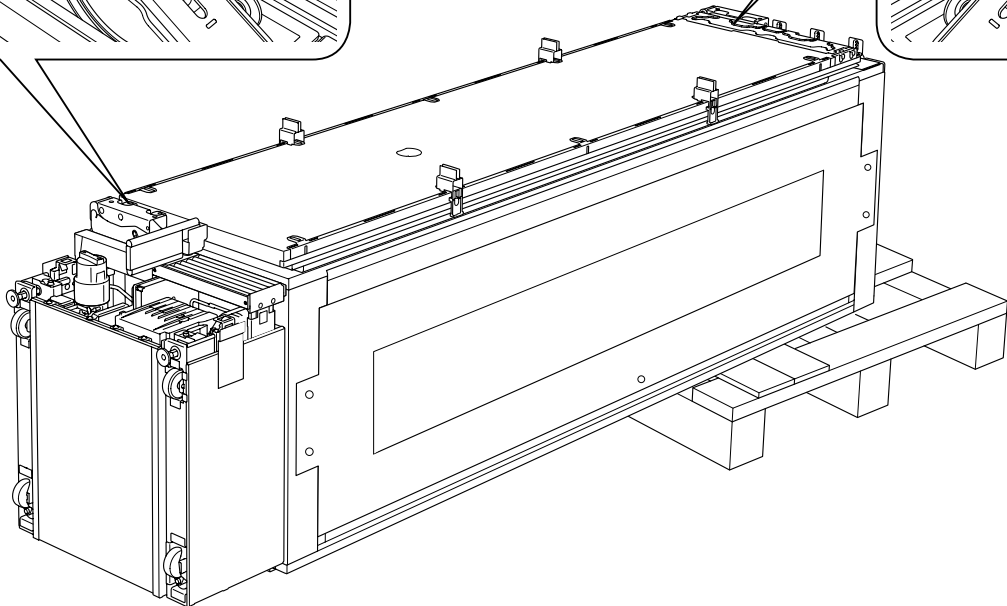
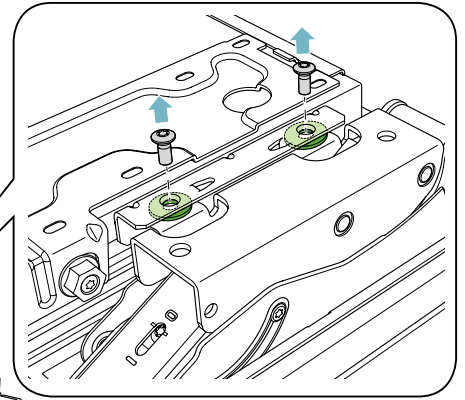
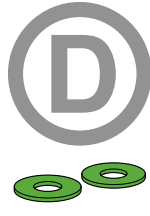
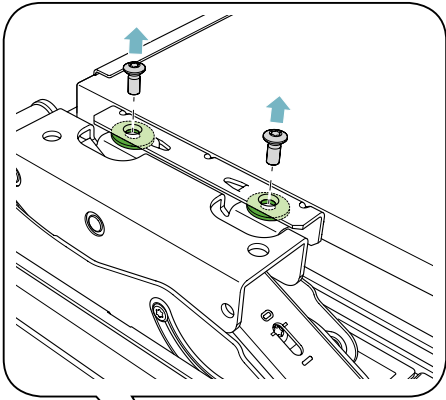
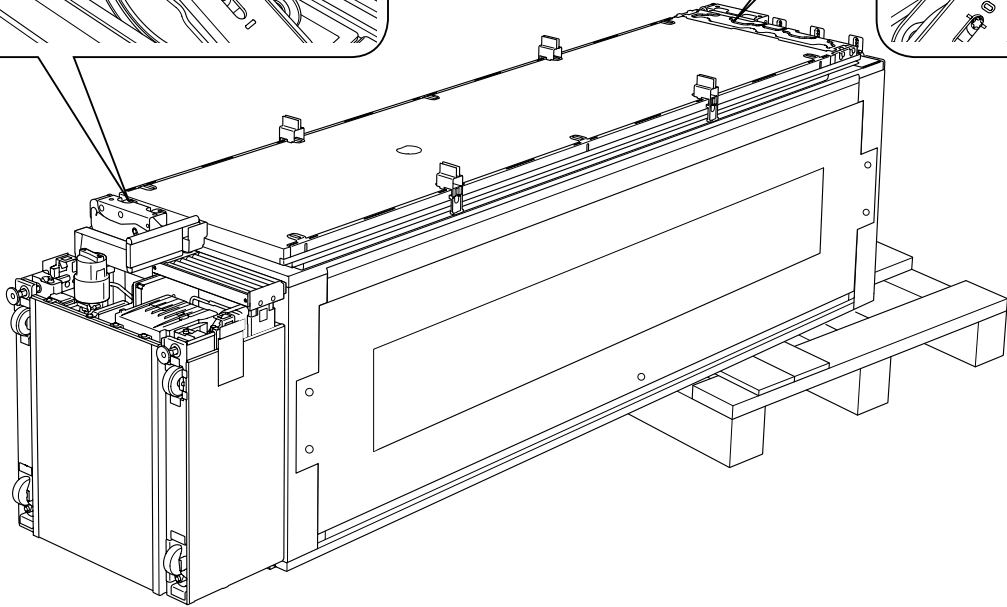
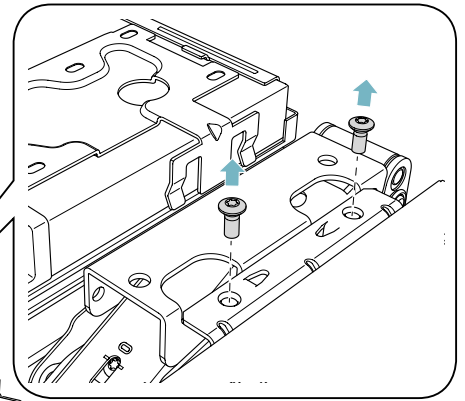
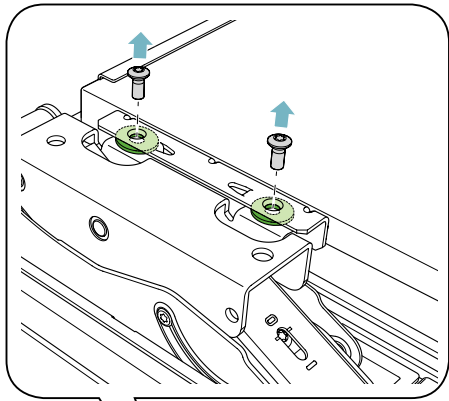


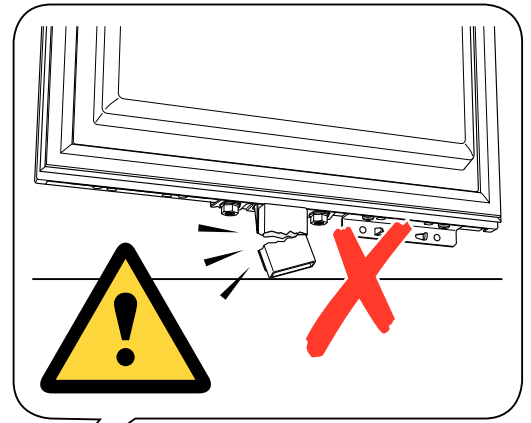
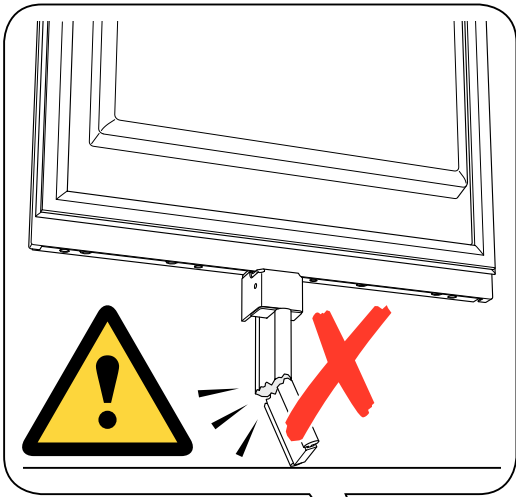
- A
- B
- C
- D



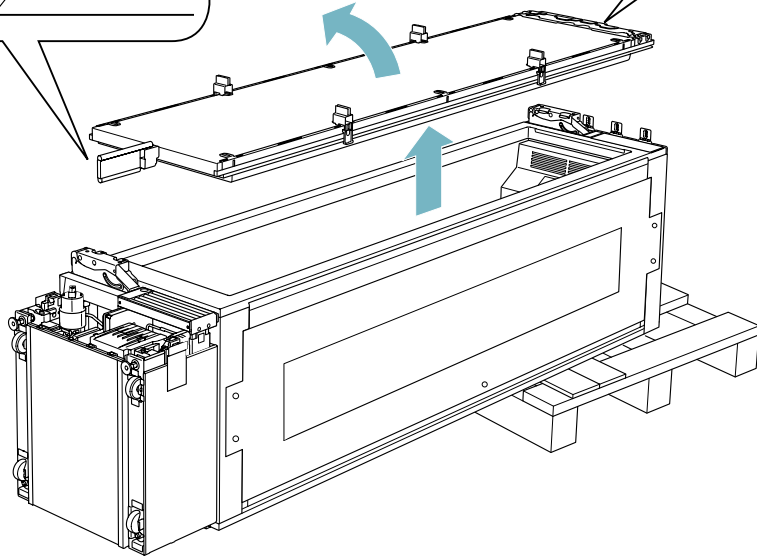


A
B
C
D



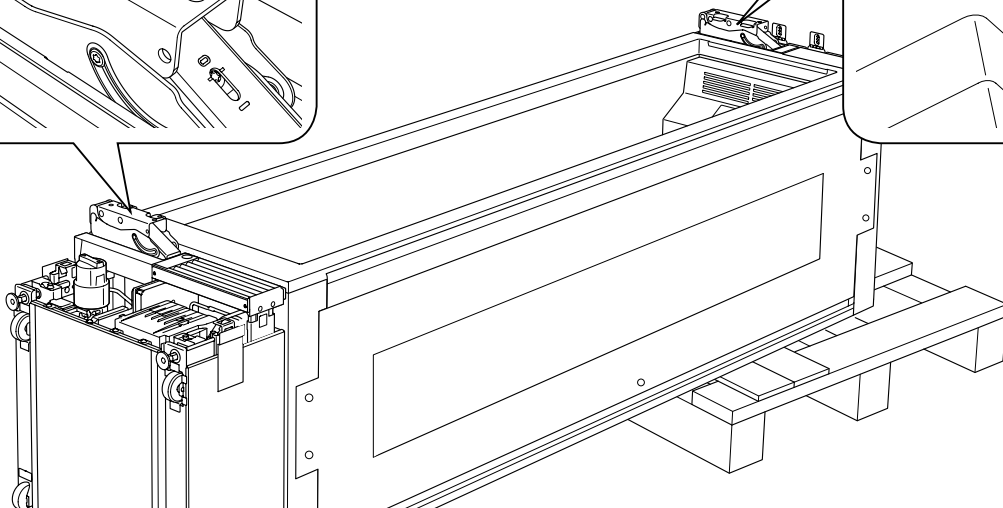
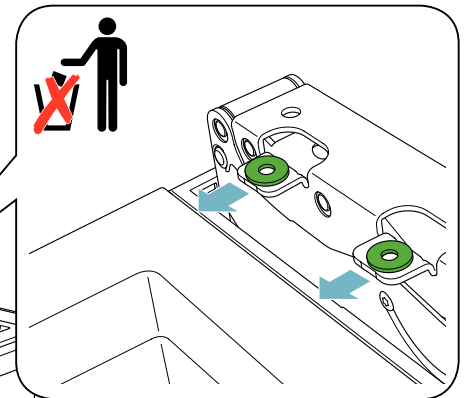
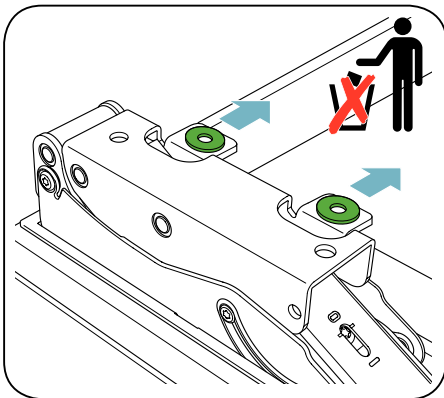


A
B
C
D

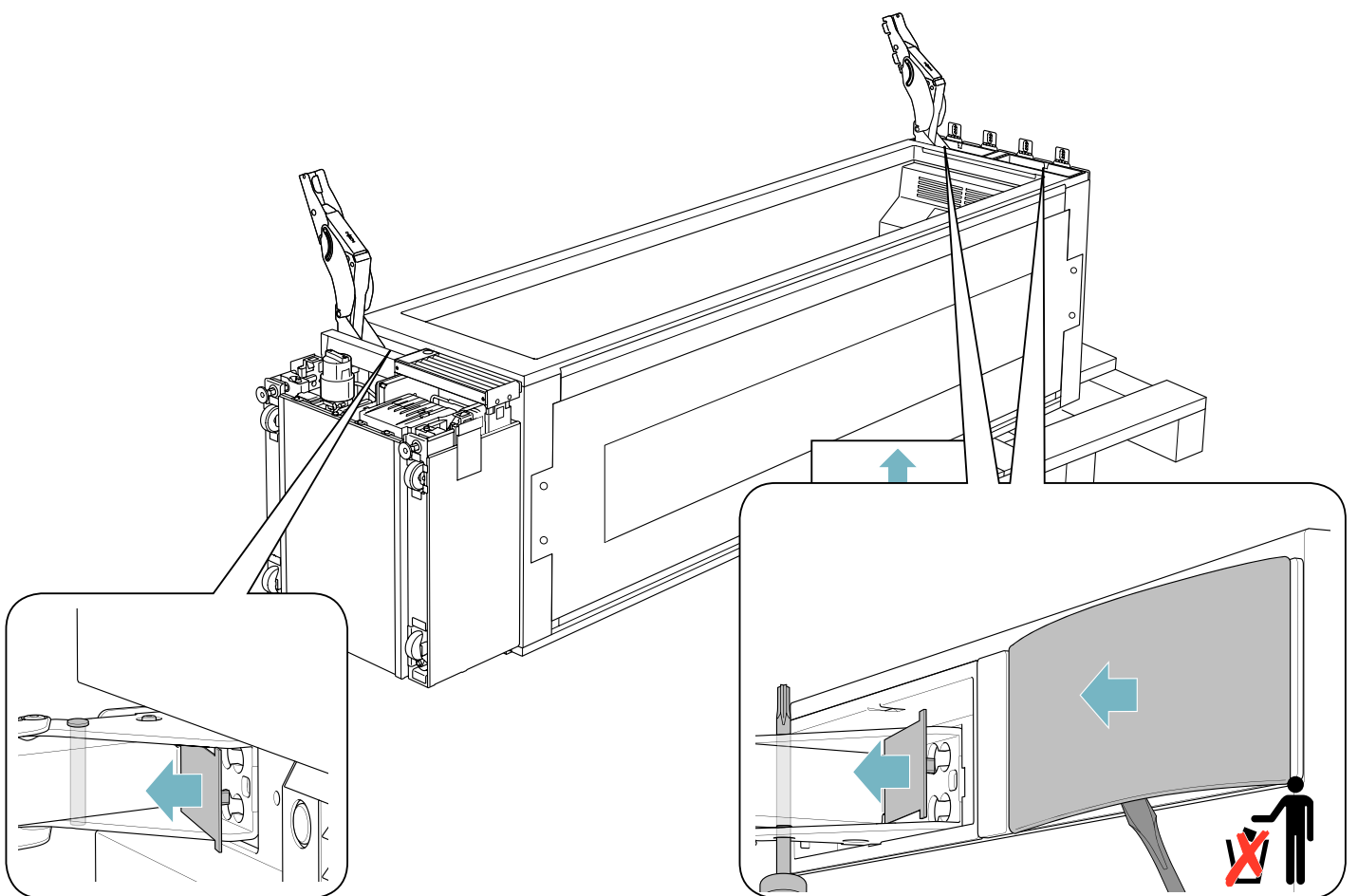
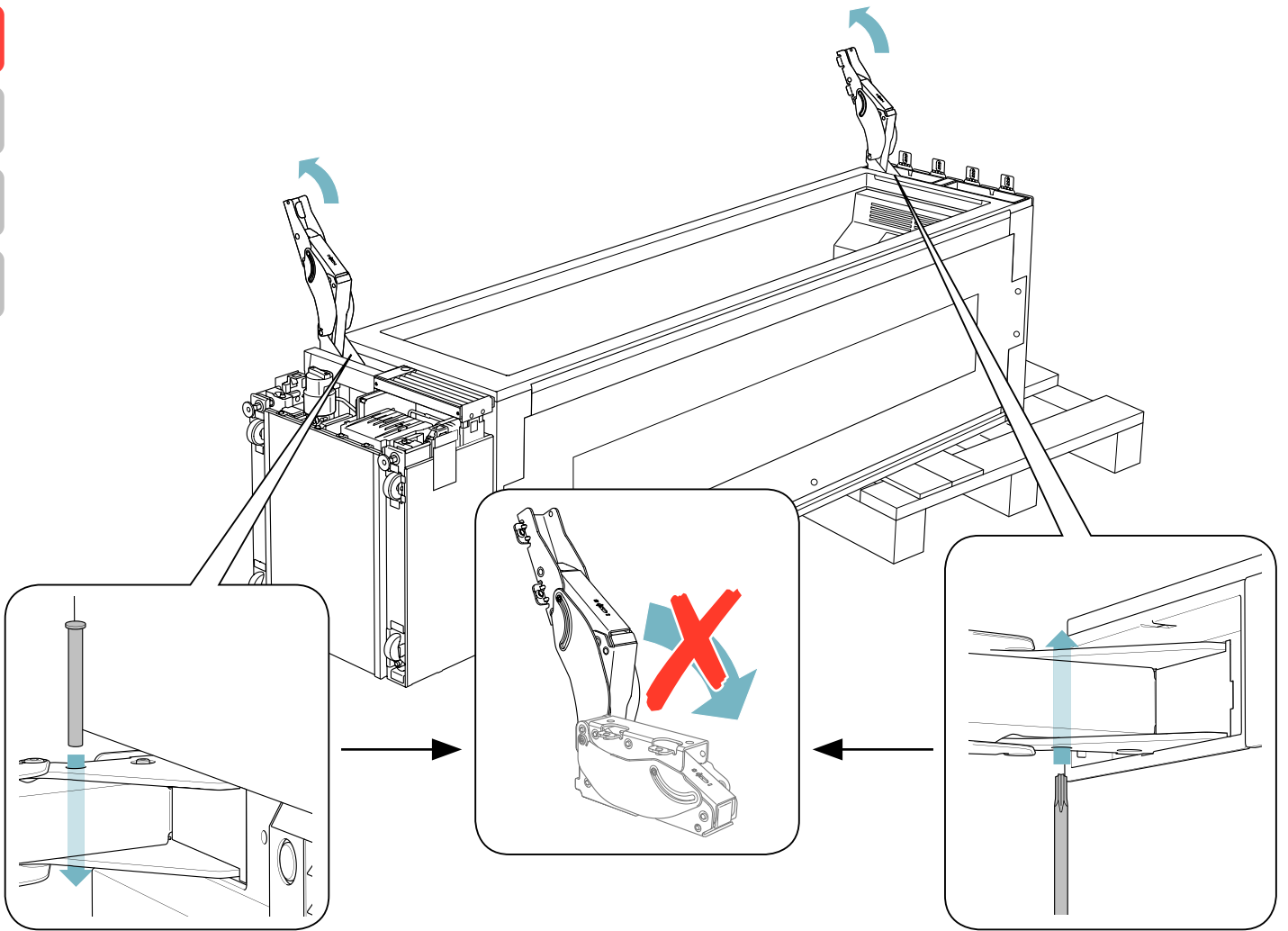


C D

B D



A
B
C
D

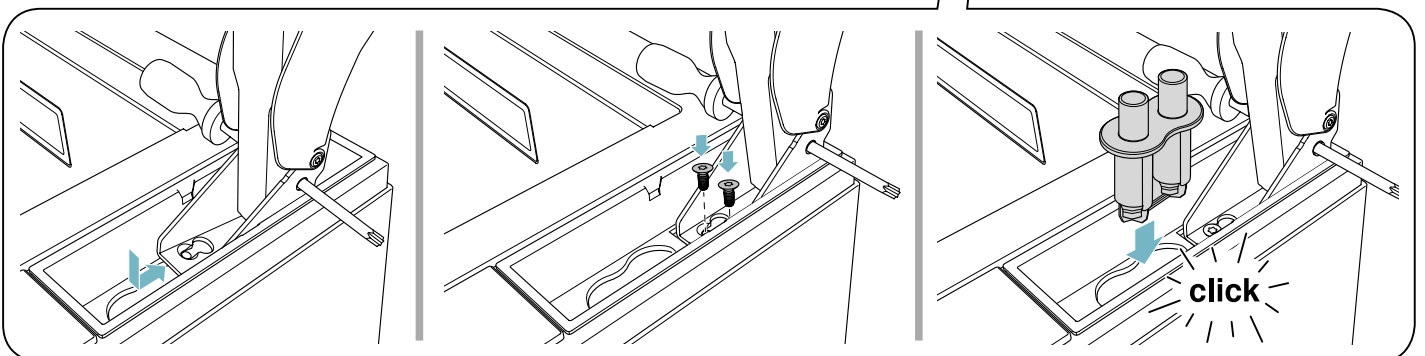
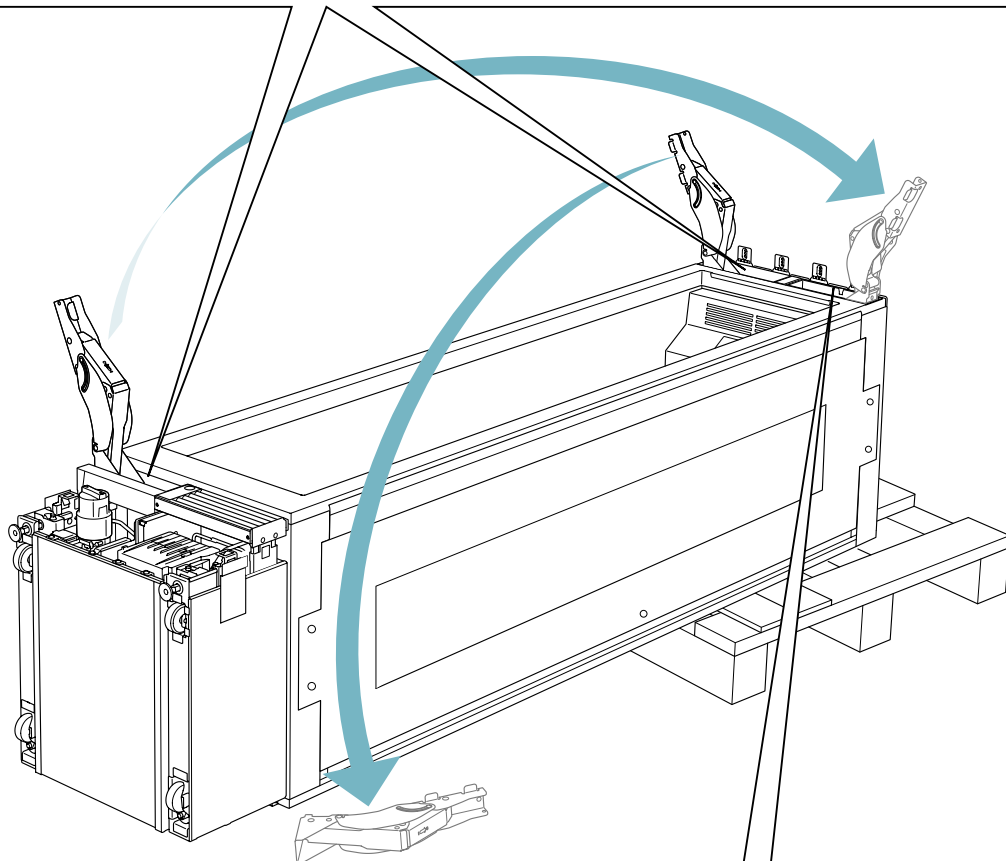
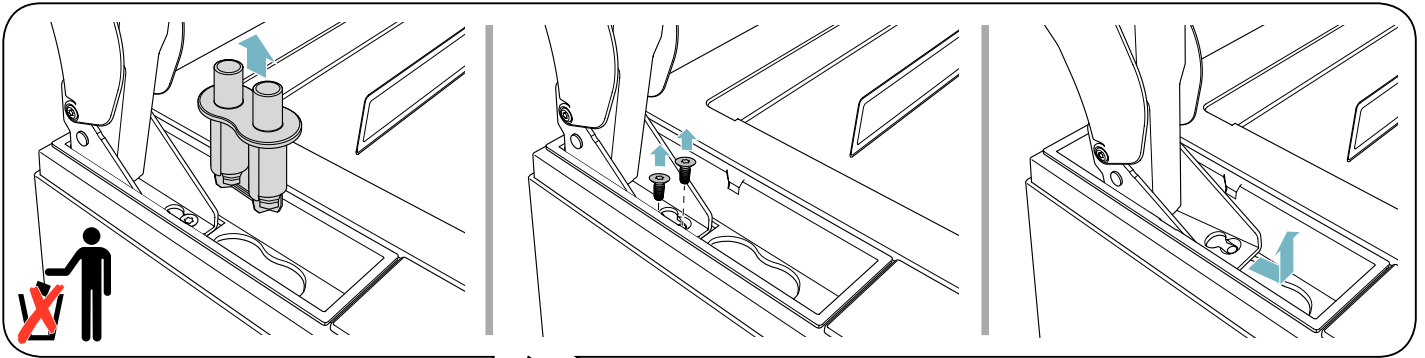
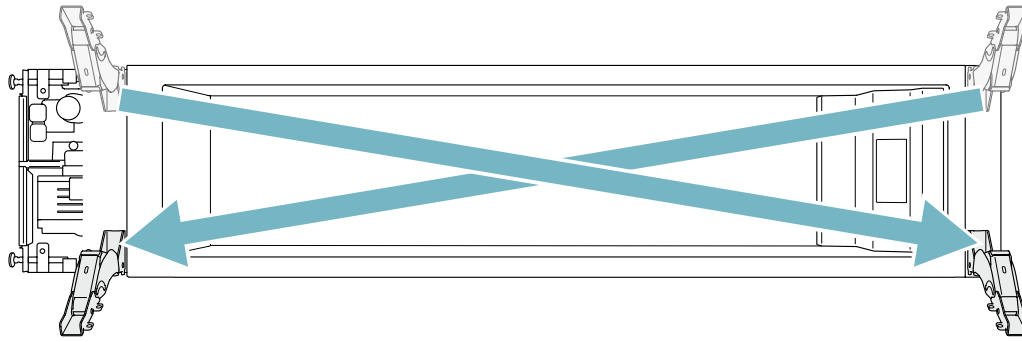


A

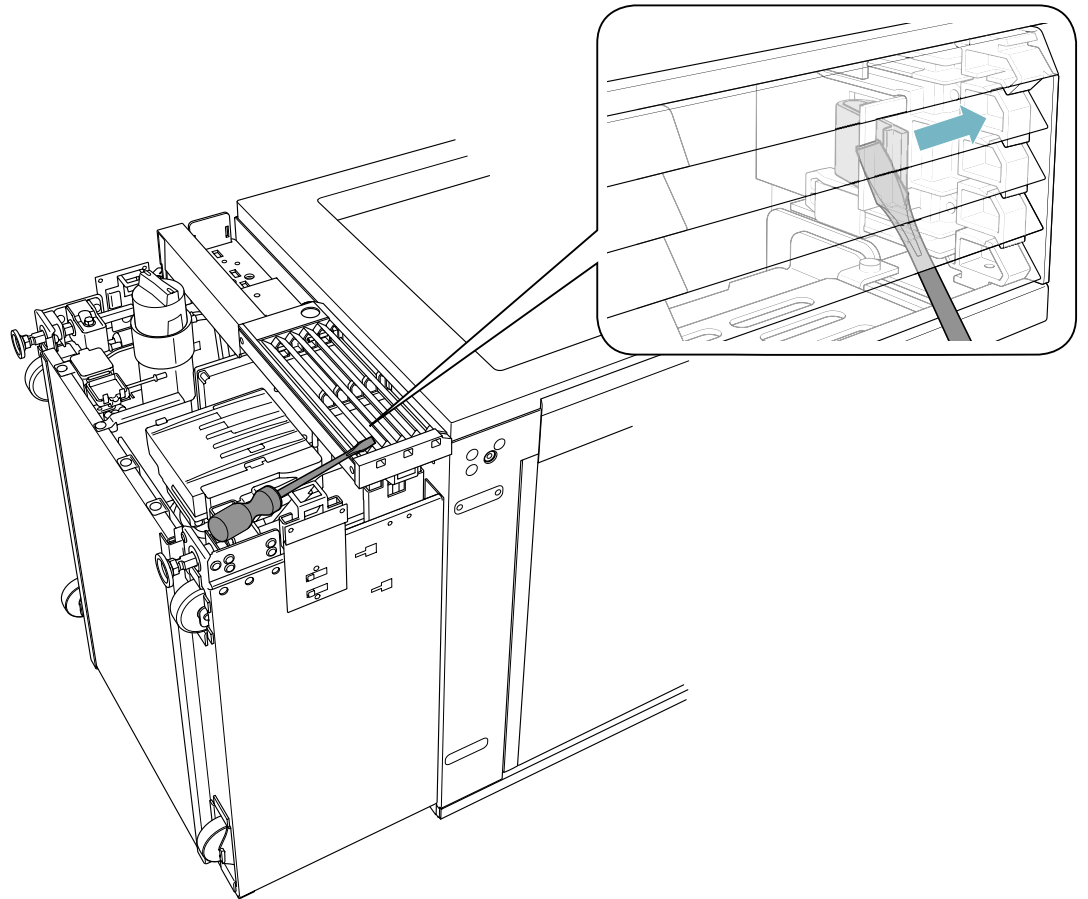
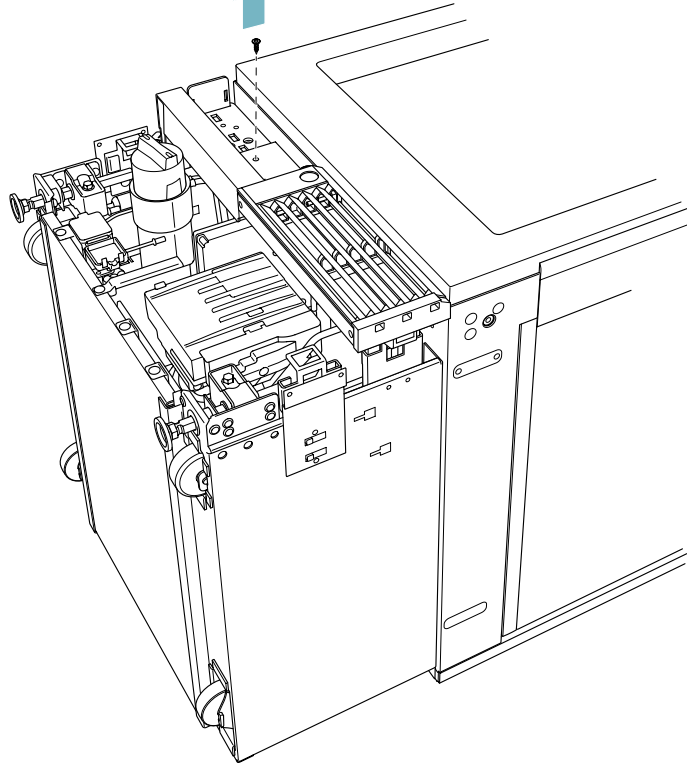
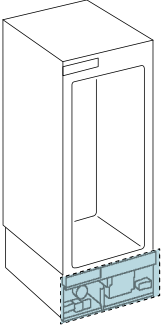
B

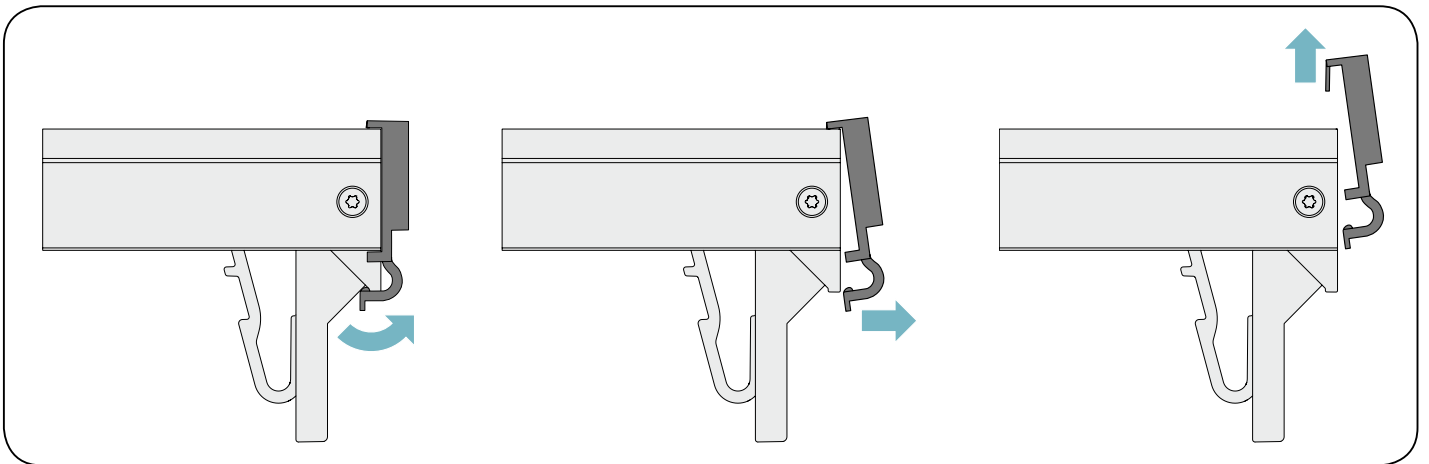
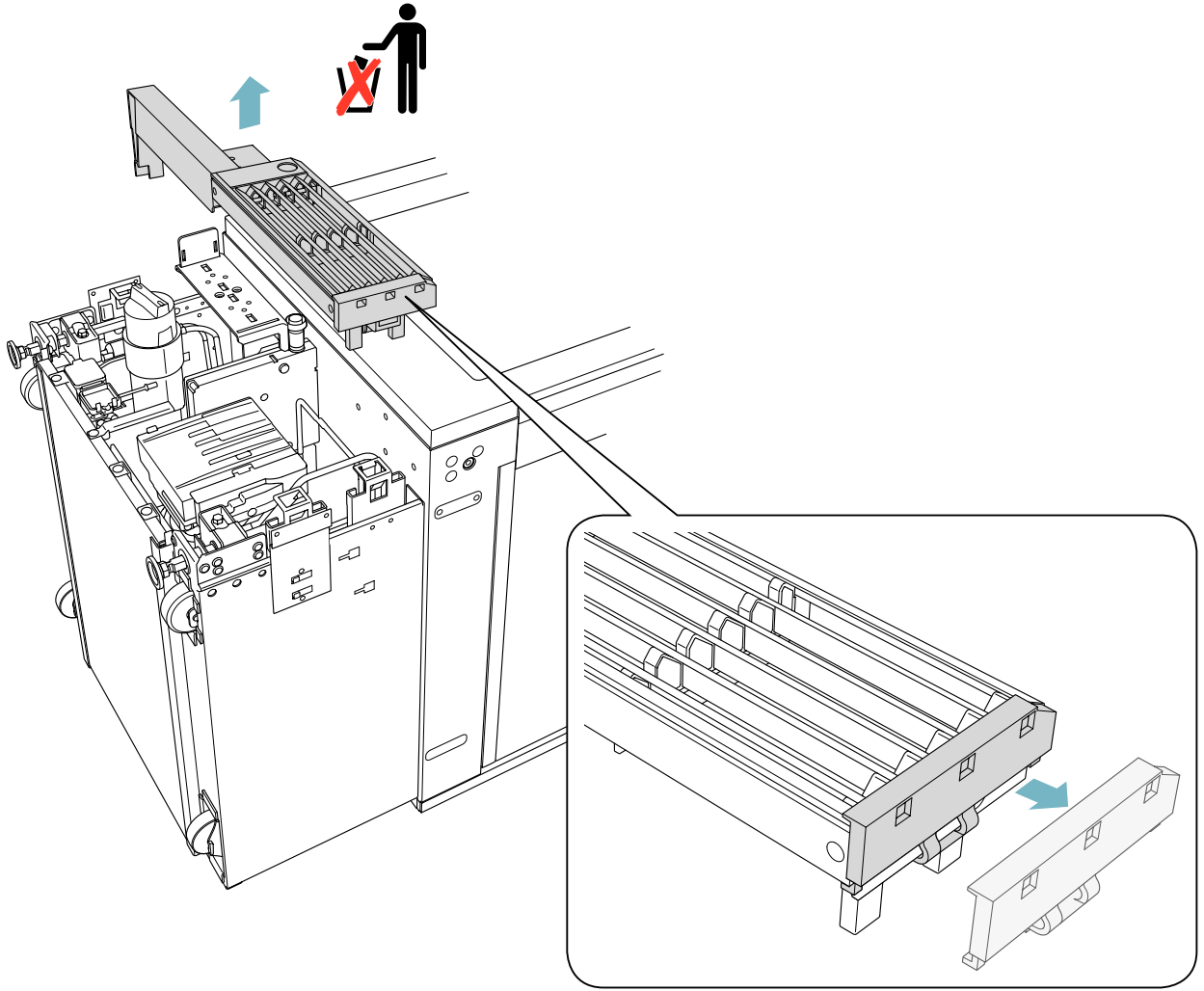
C

D



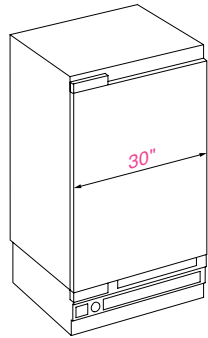
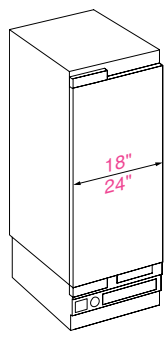
- A
- B
- C
- D



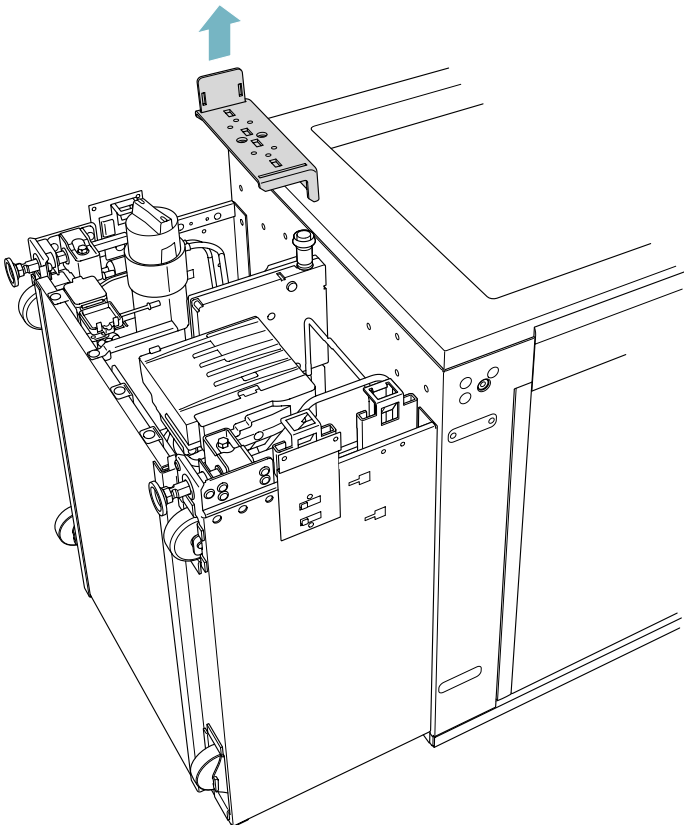
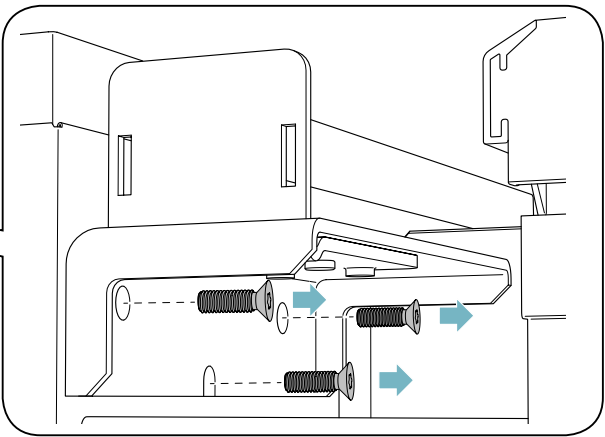
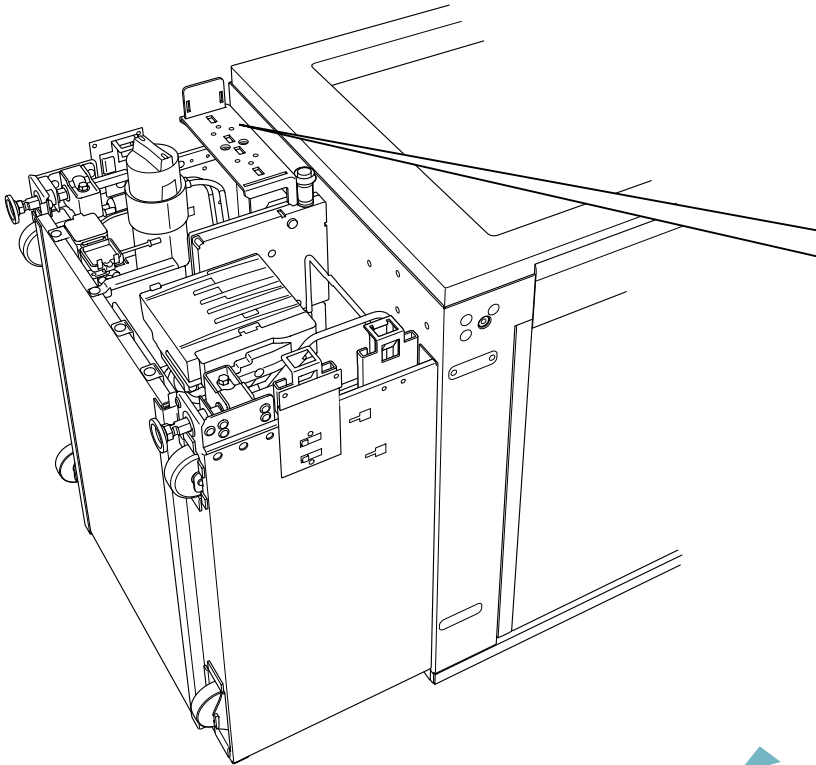


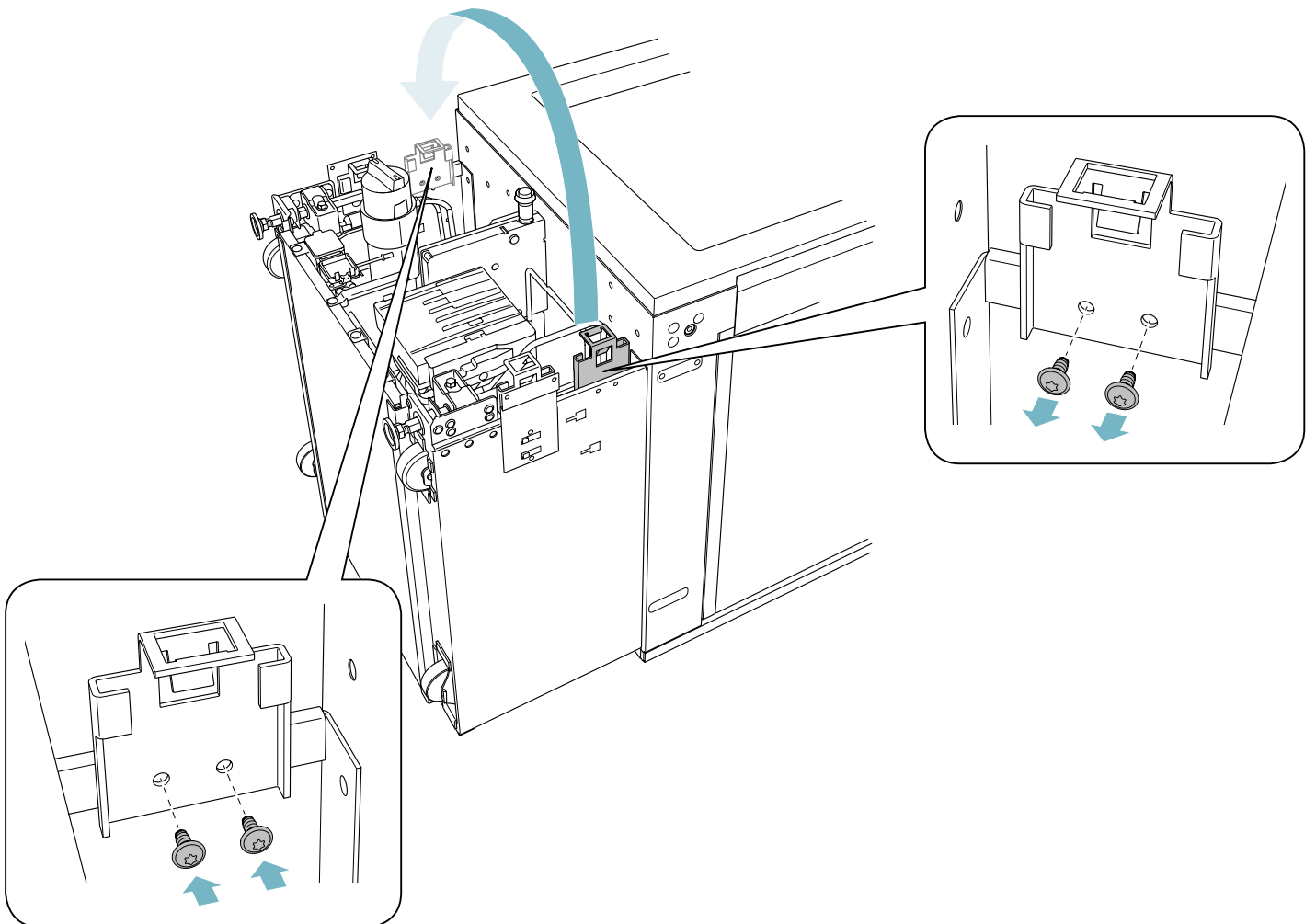
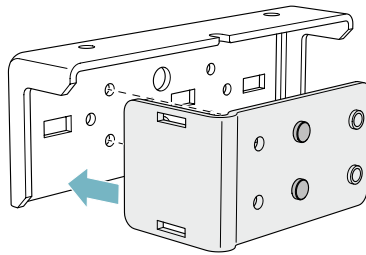
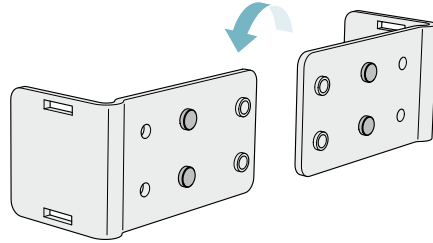
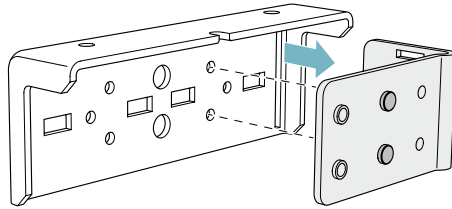
- A
- B
- C
- D

26

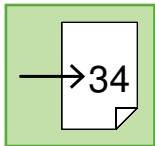
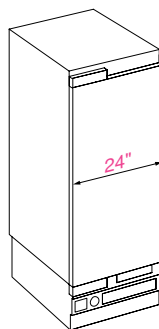
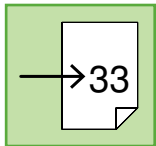
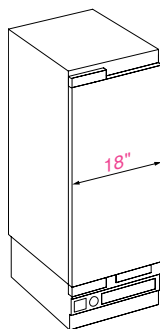
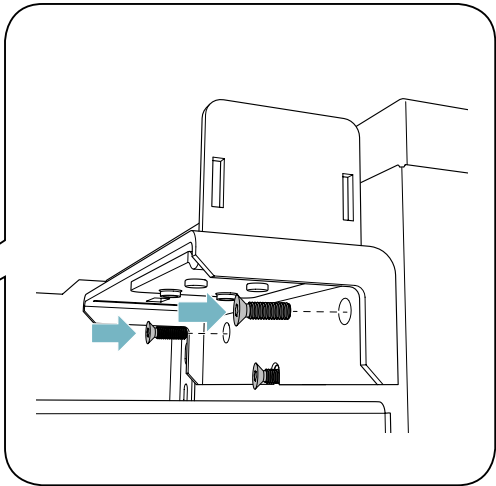
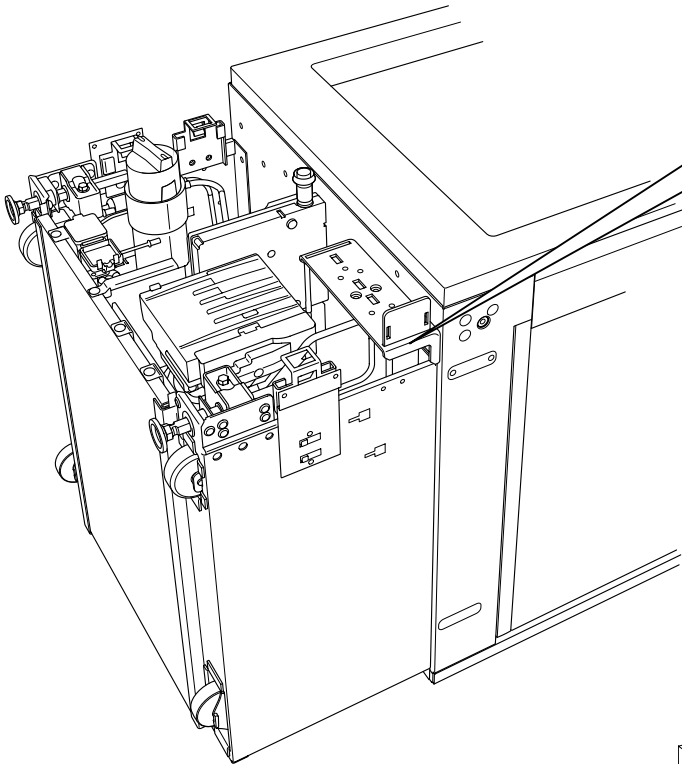
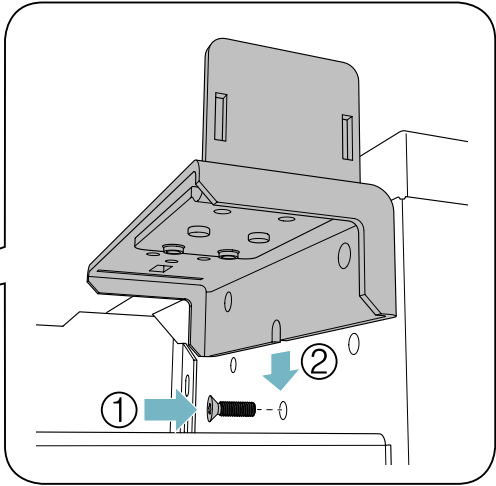
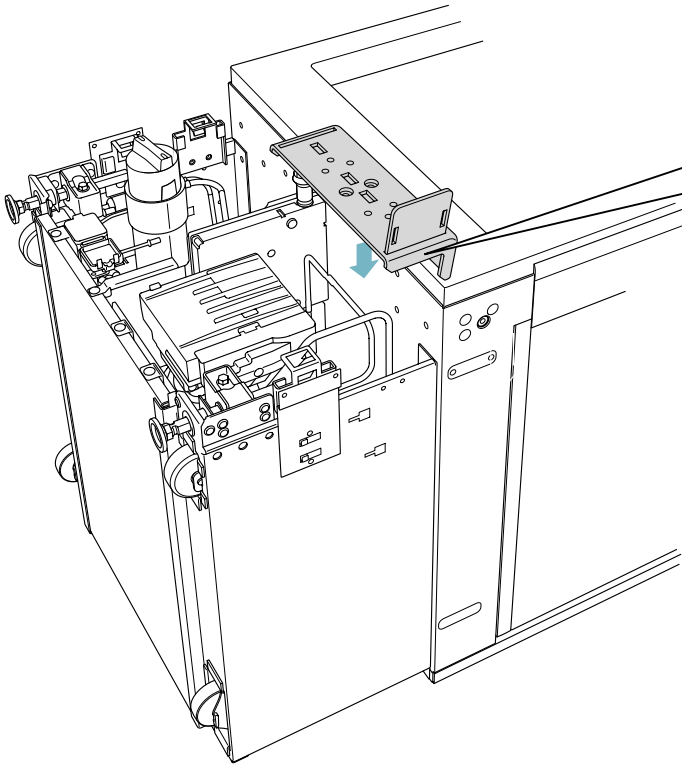


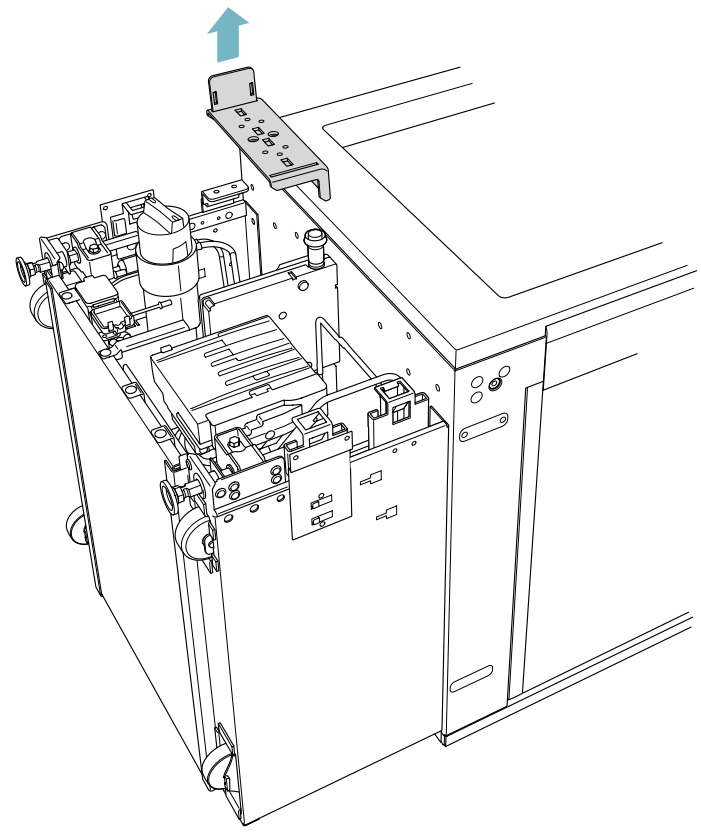
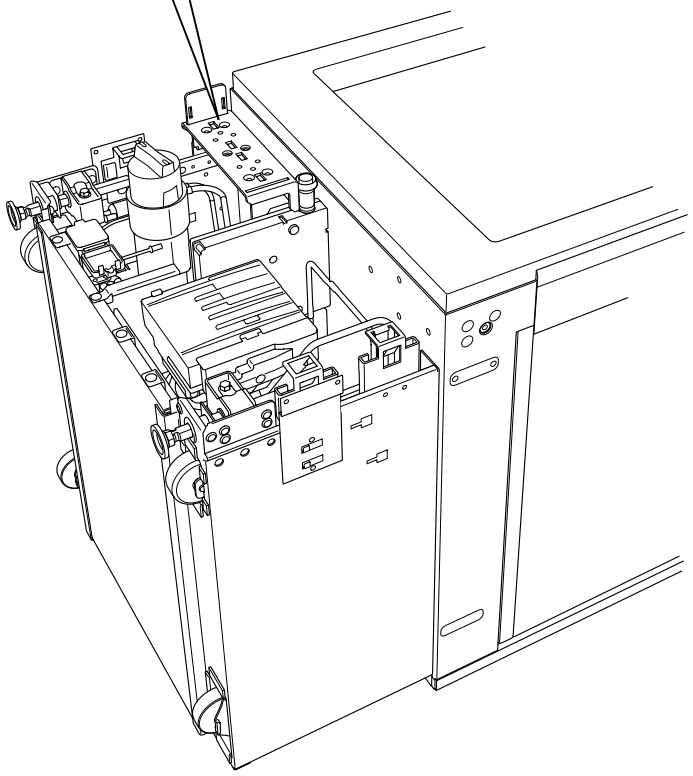
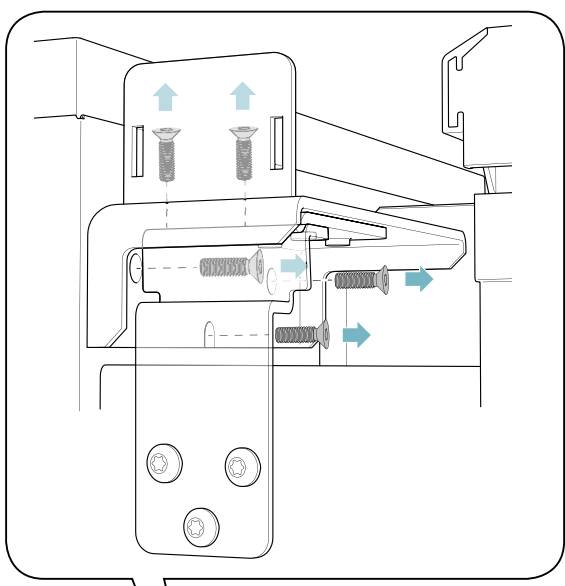
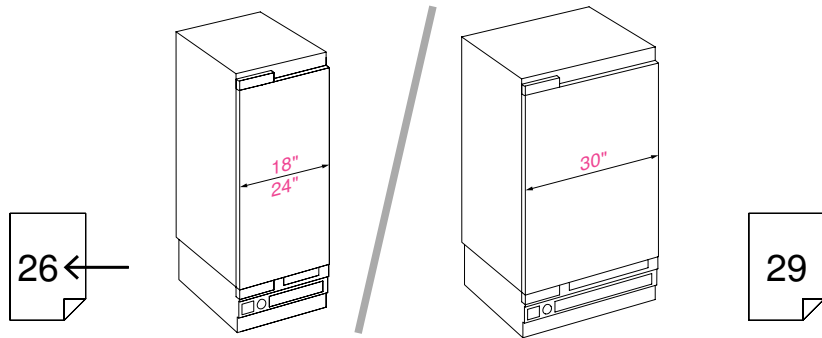
→ 29



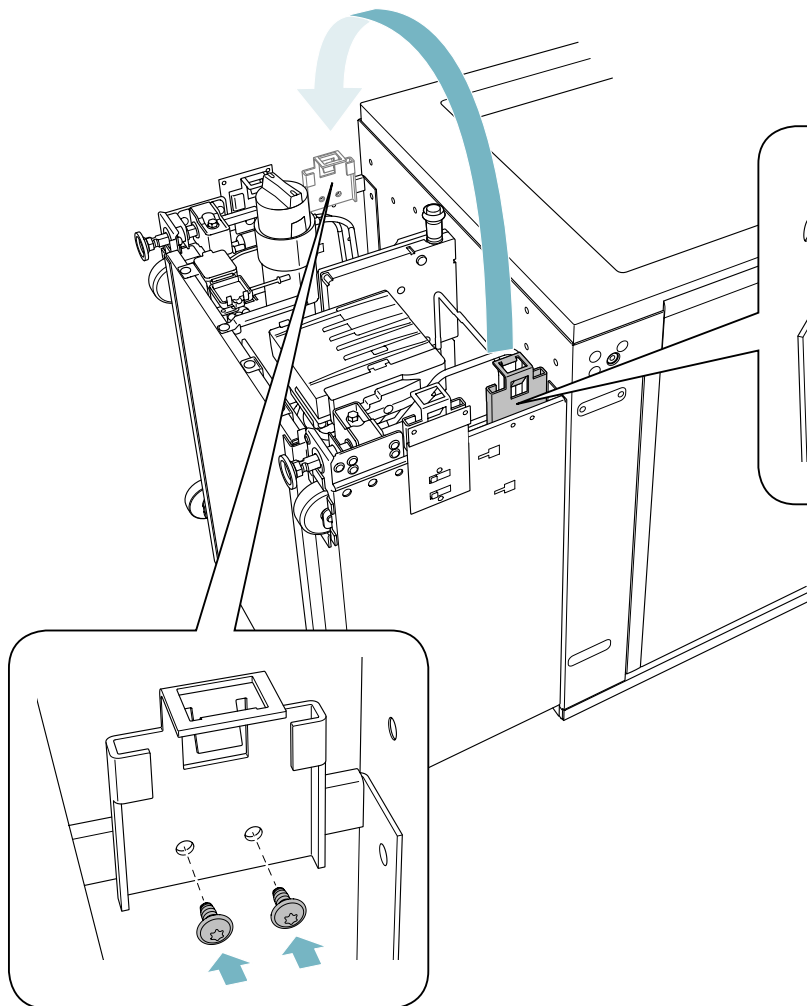
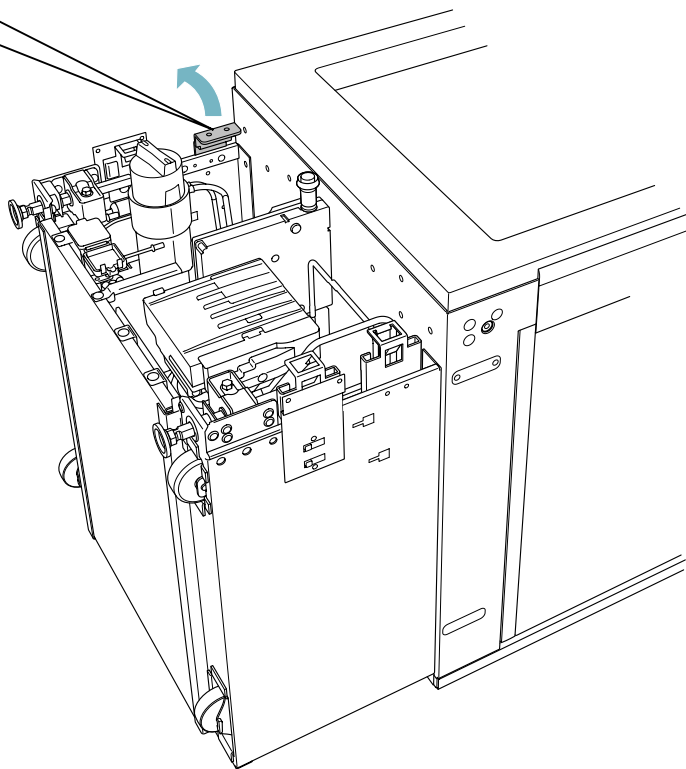
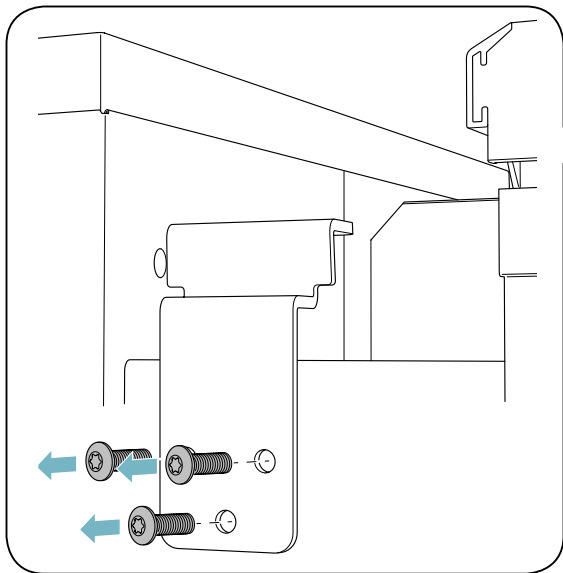


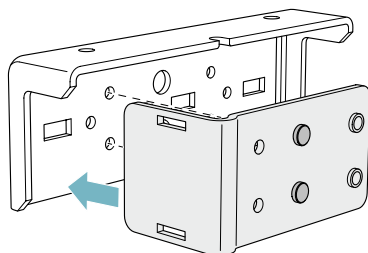
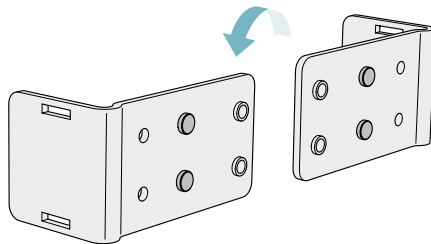
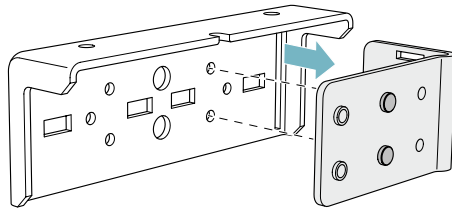
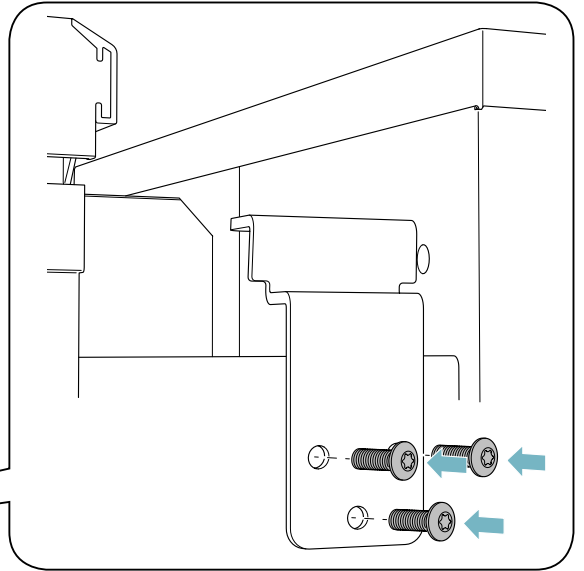
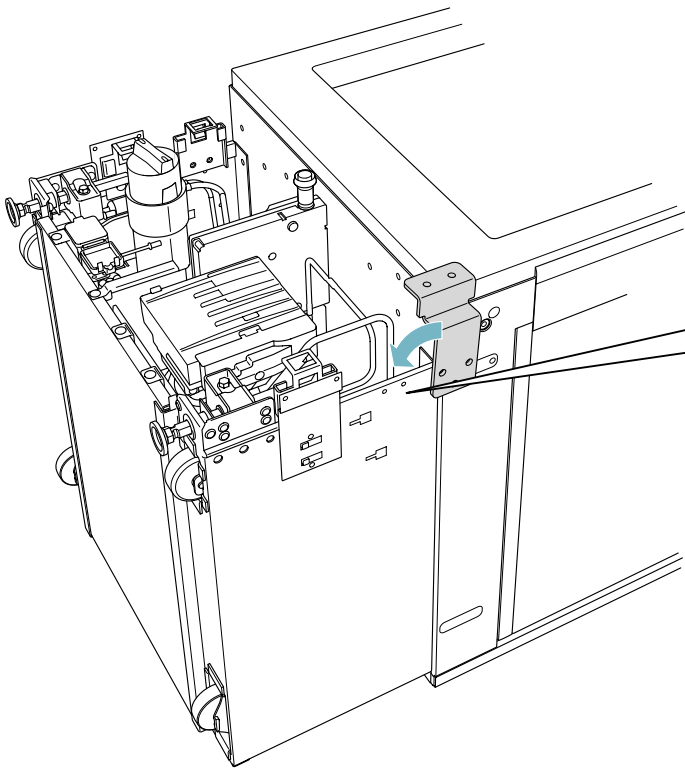
A
B
C
D



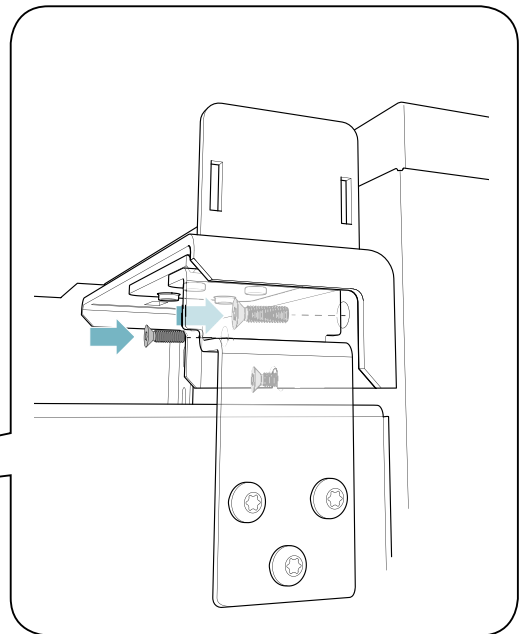
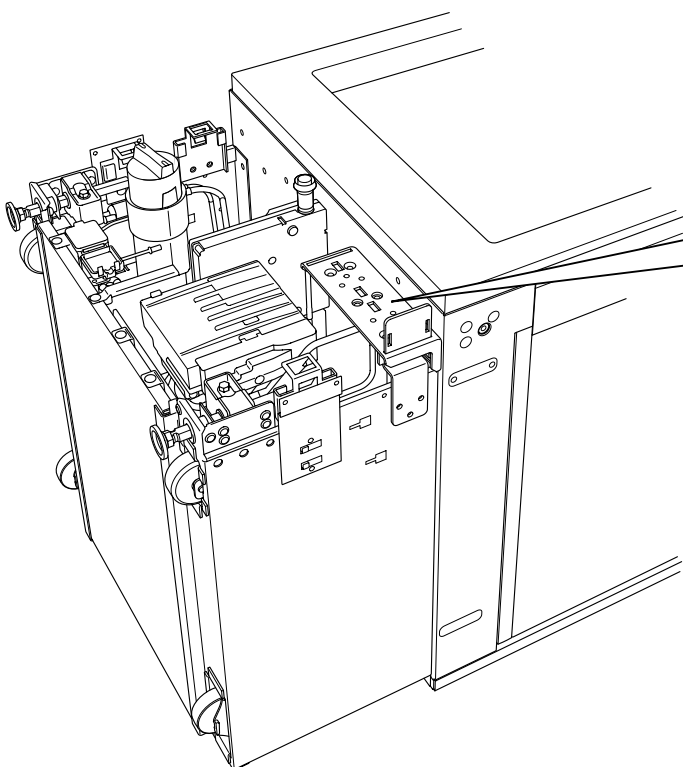
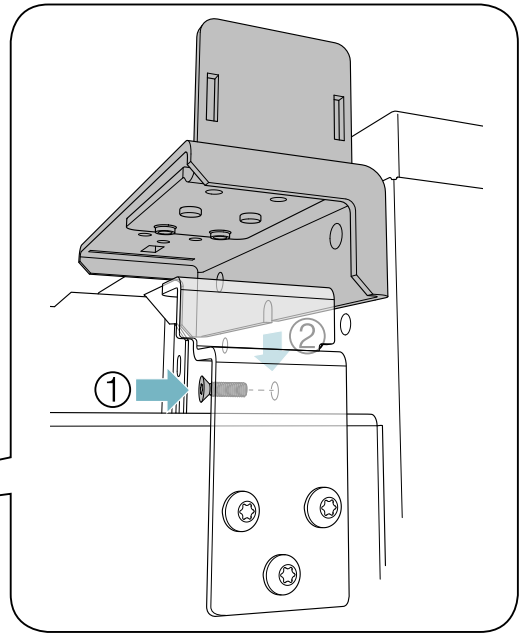
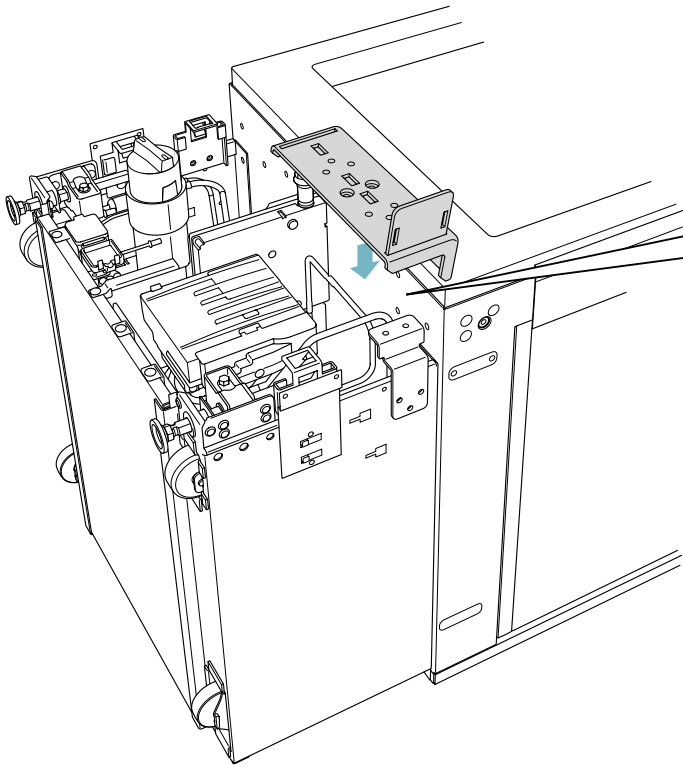


A
B
C
D

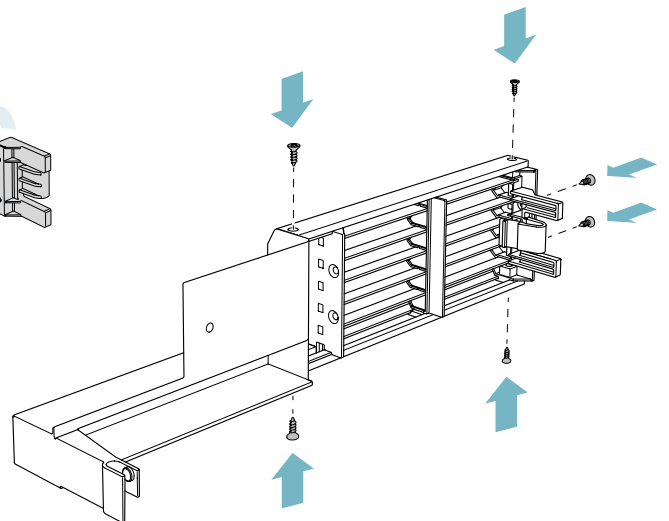
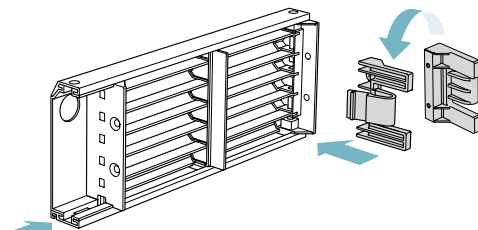
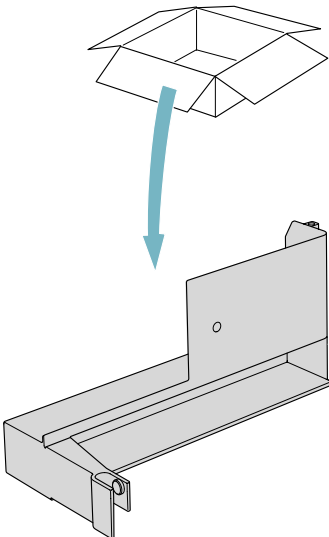
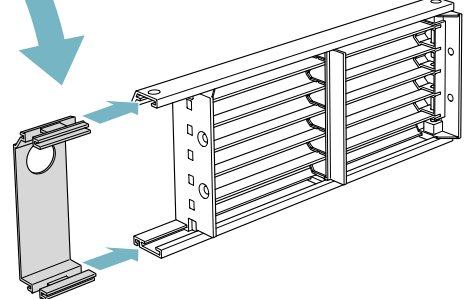
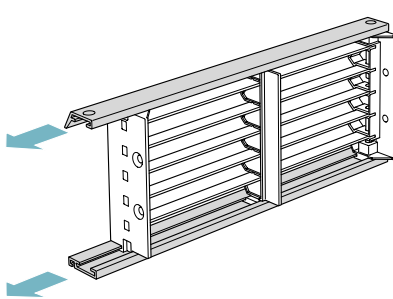
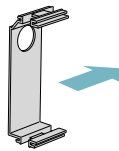
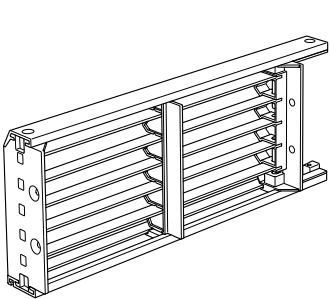
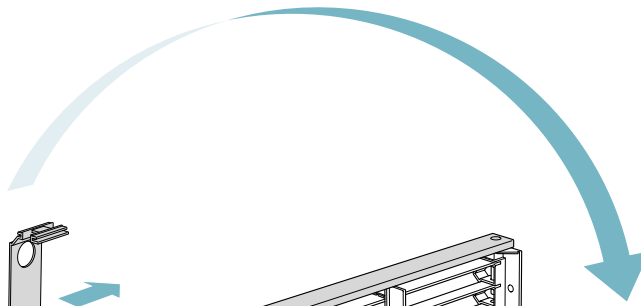
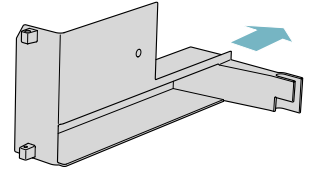
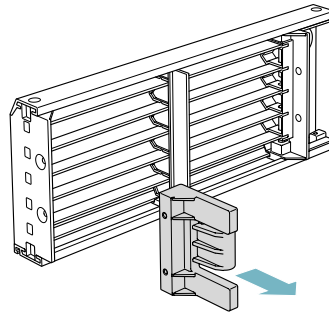
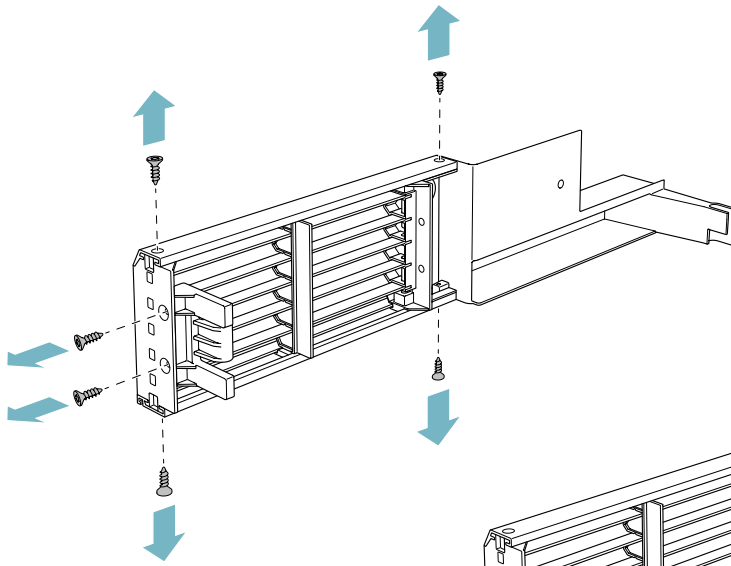
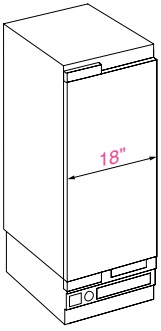




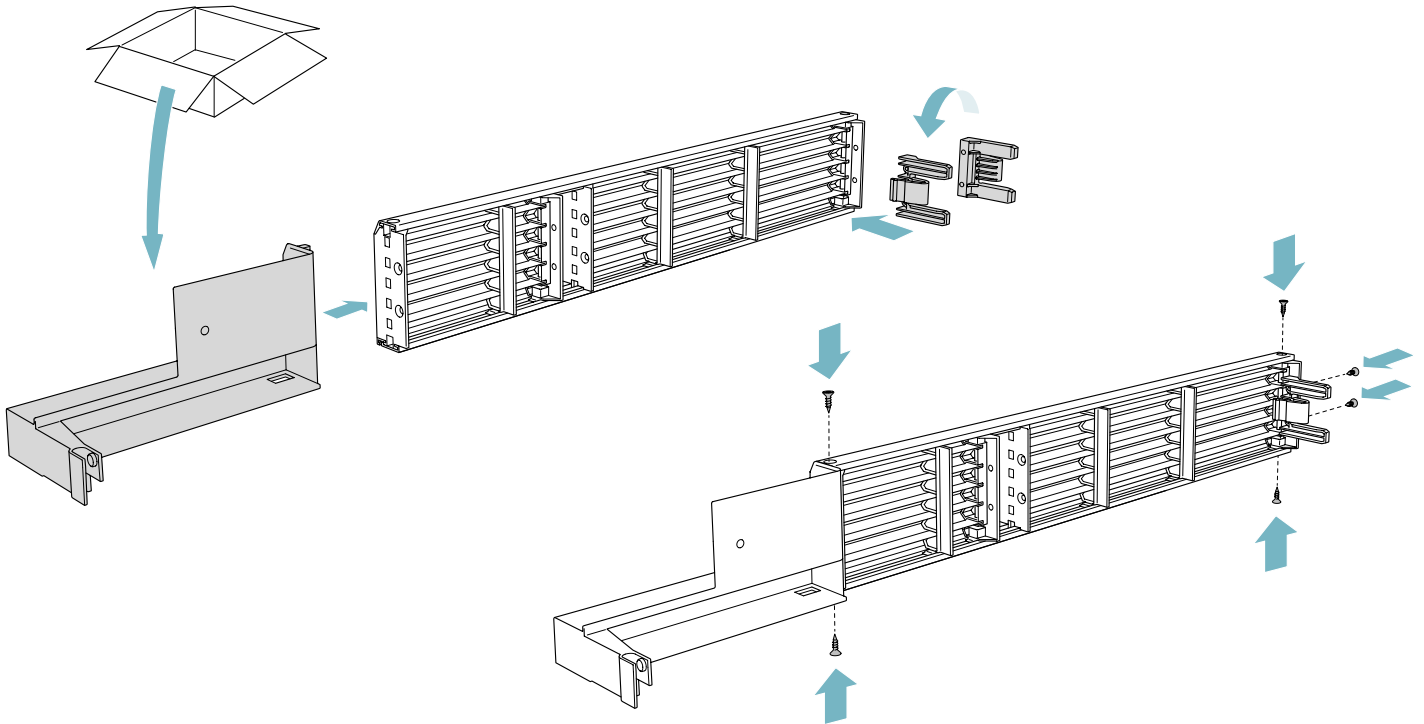
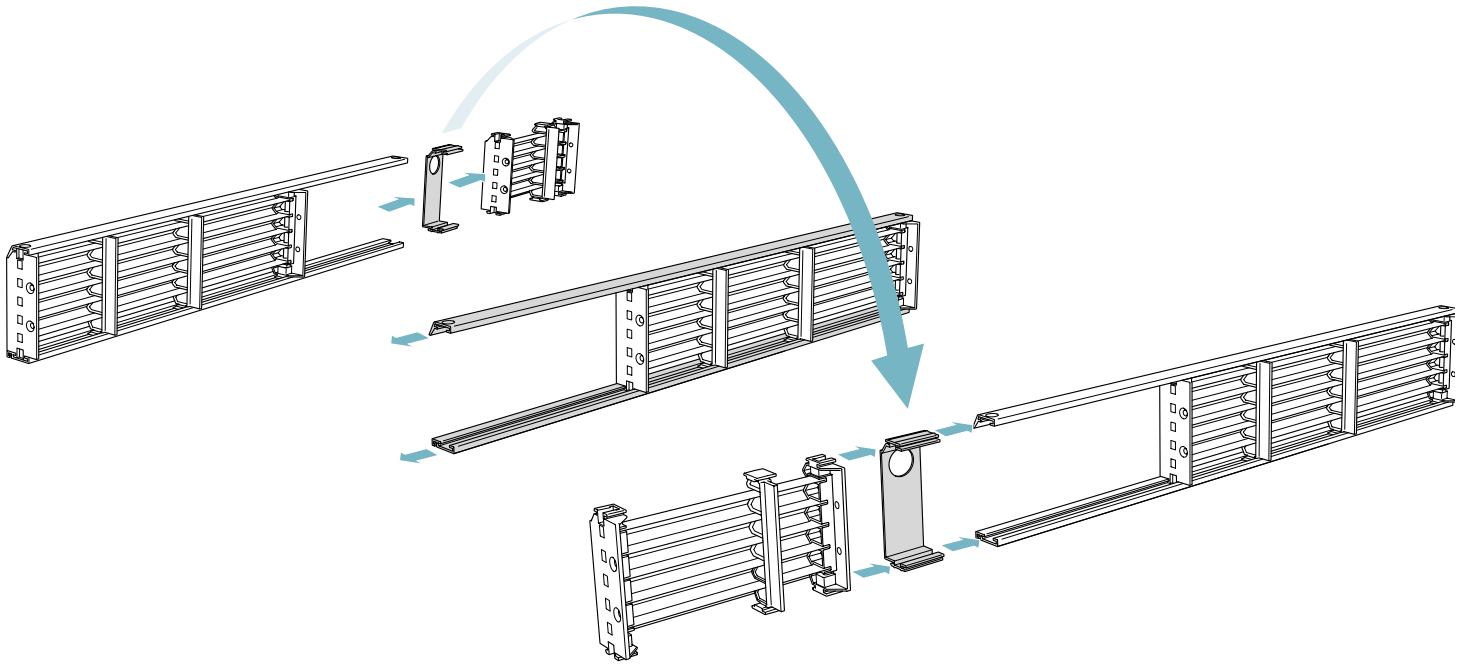
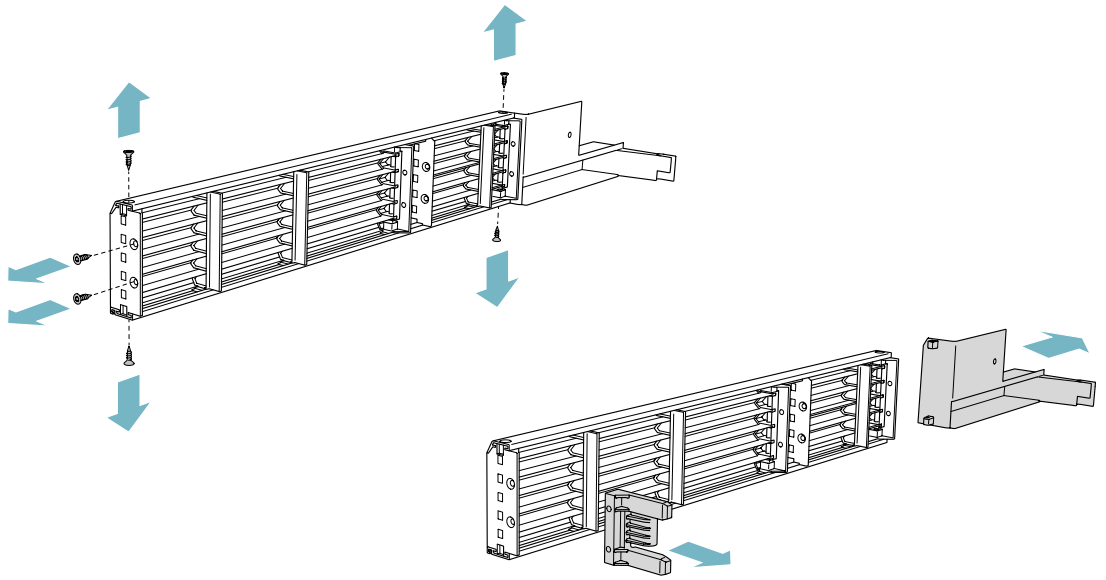
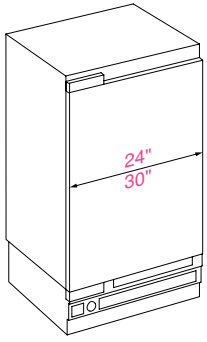
A
B
C
D

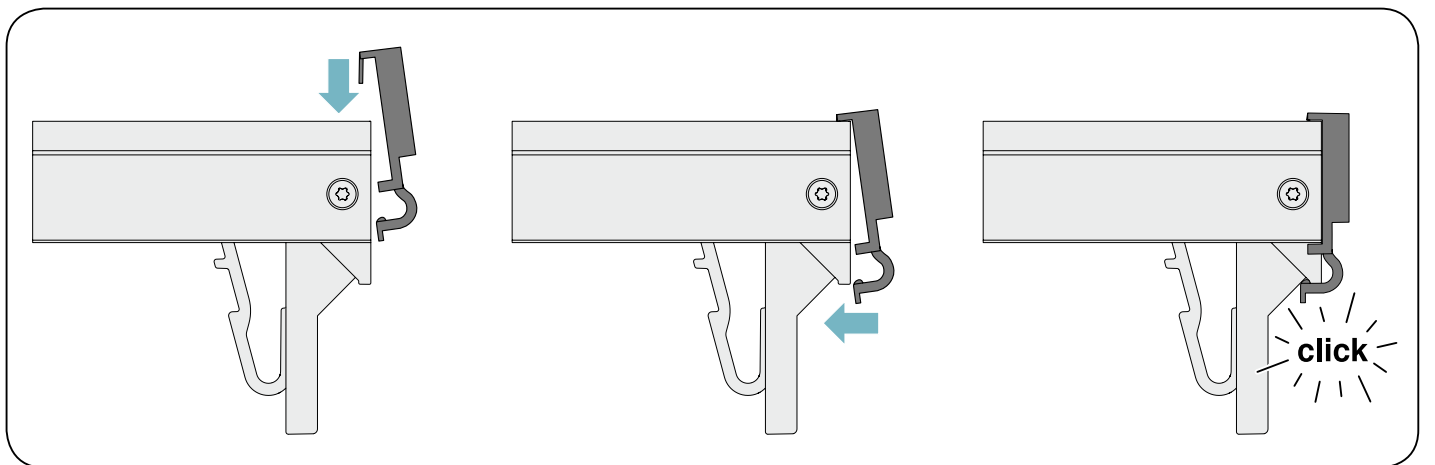
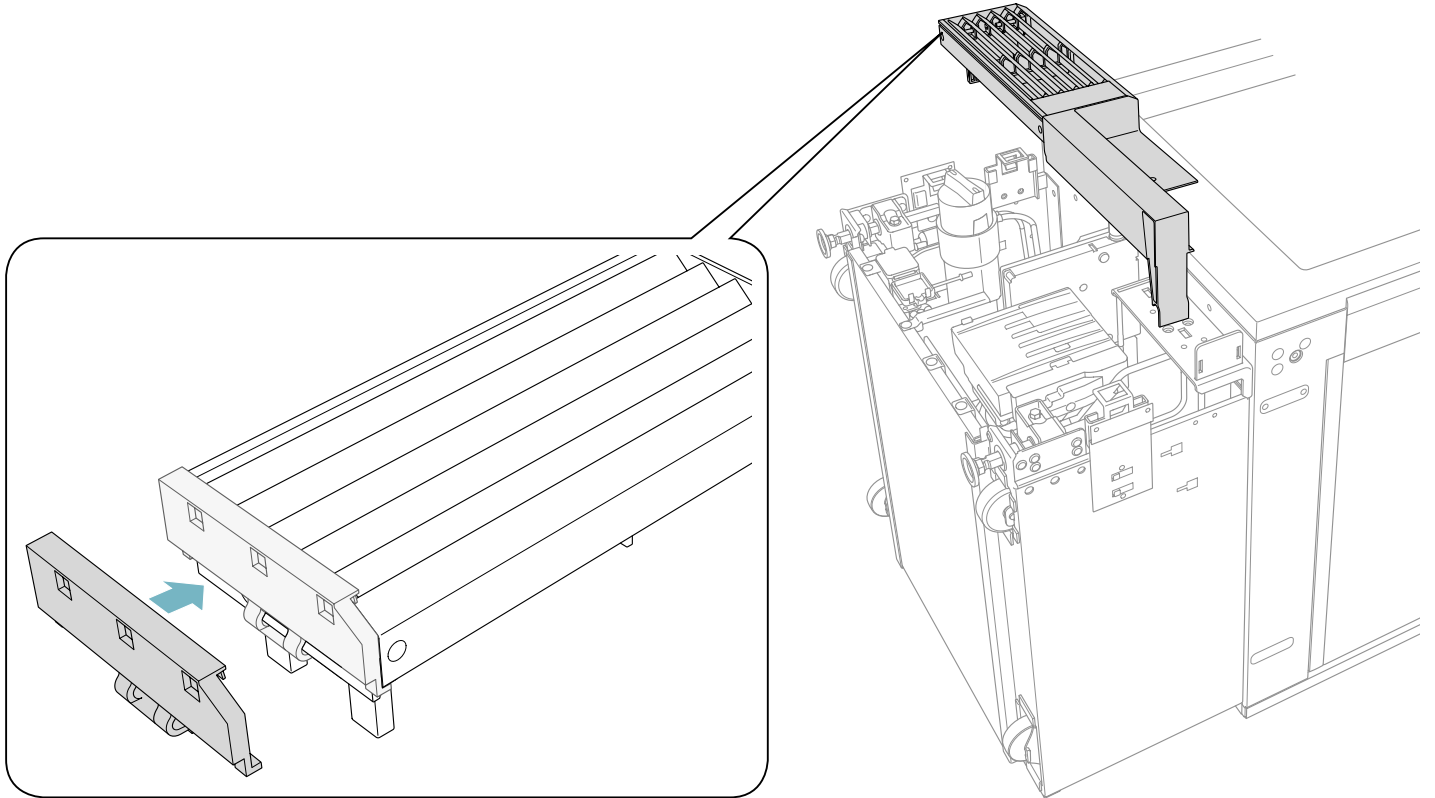
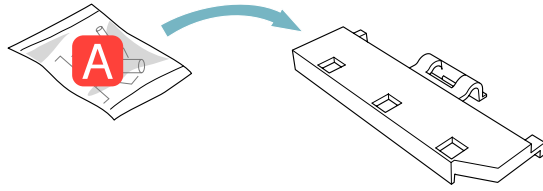


→ 35

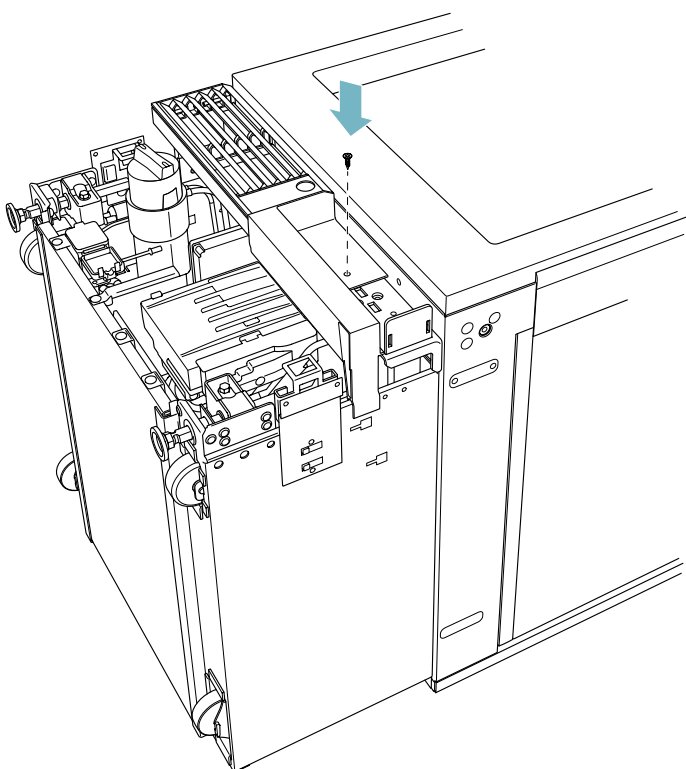
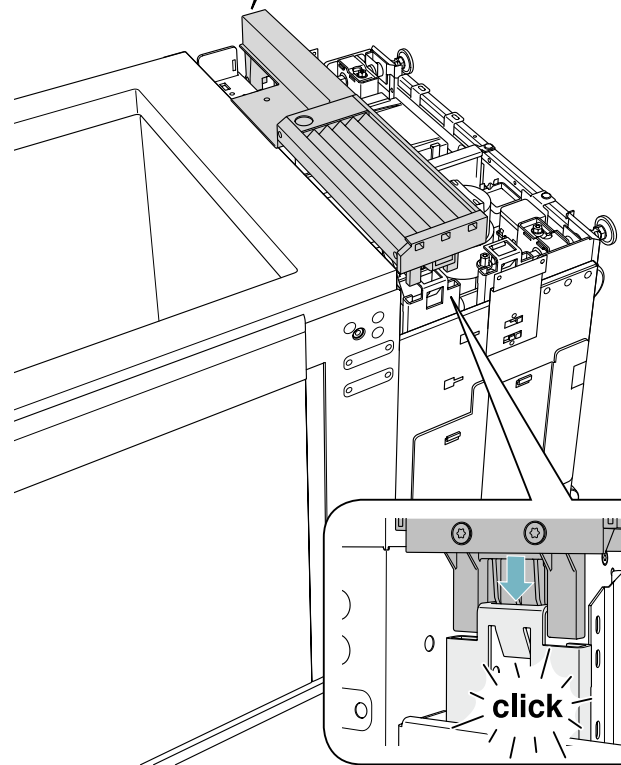
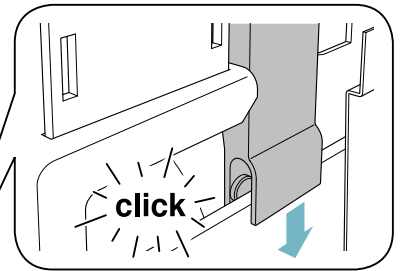
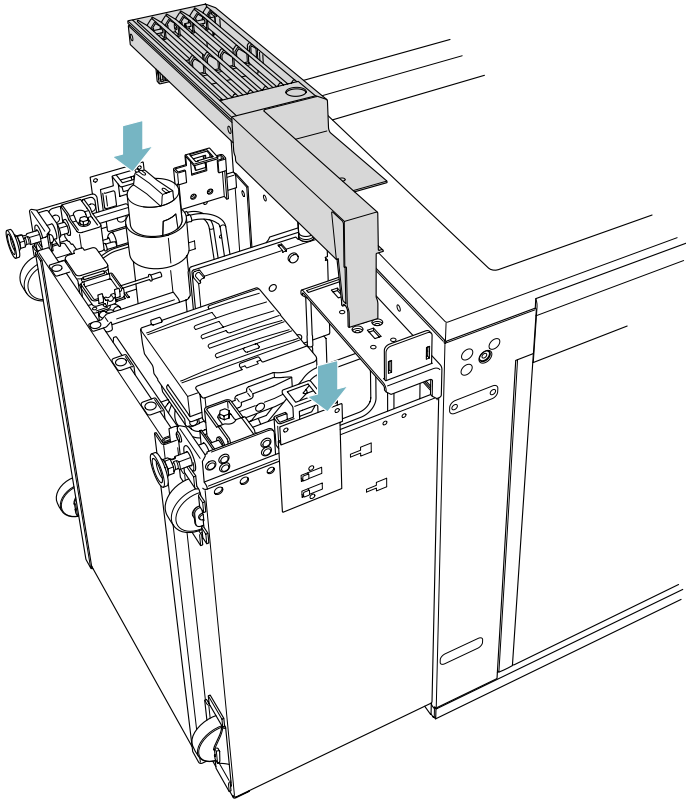


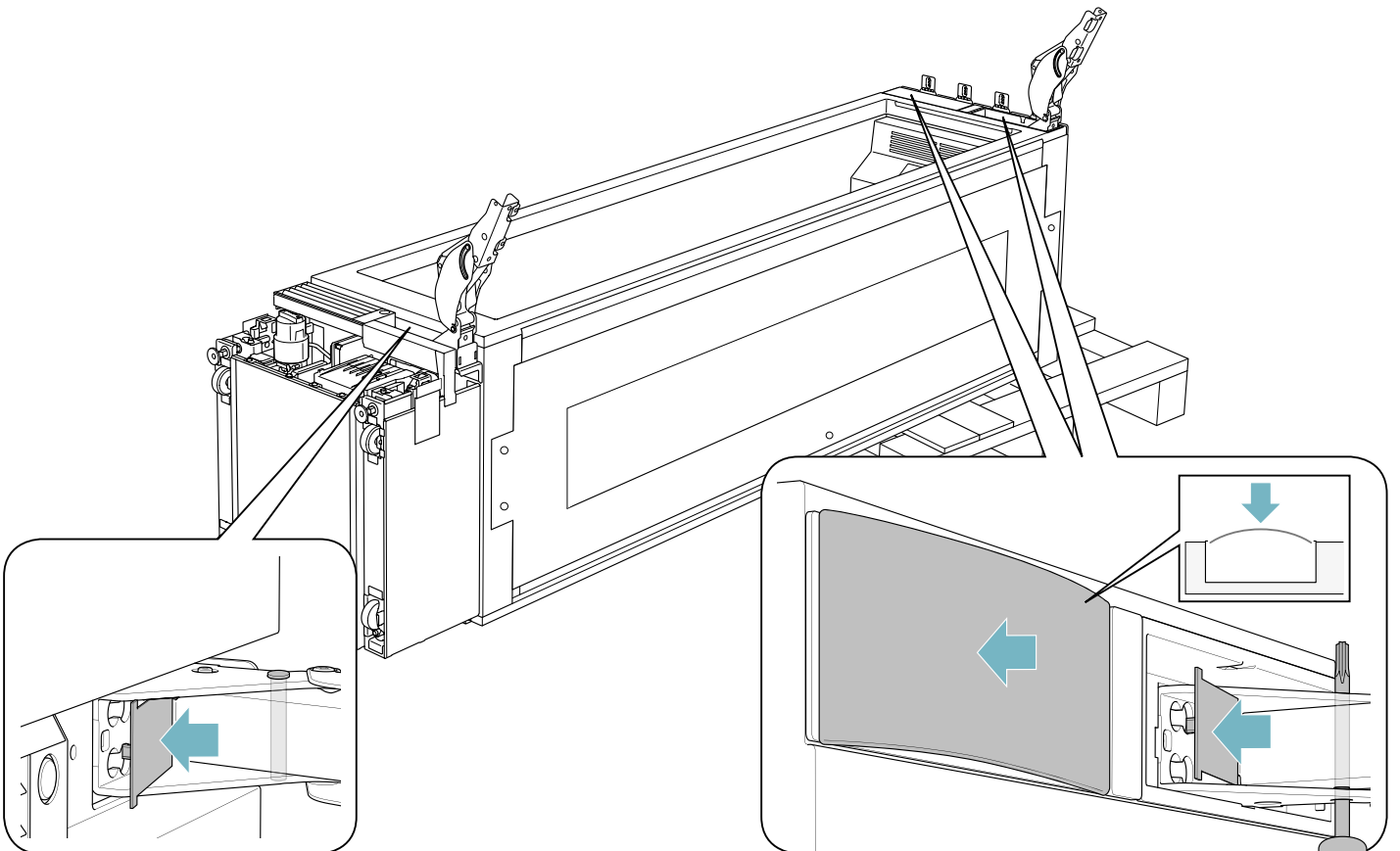
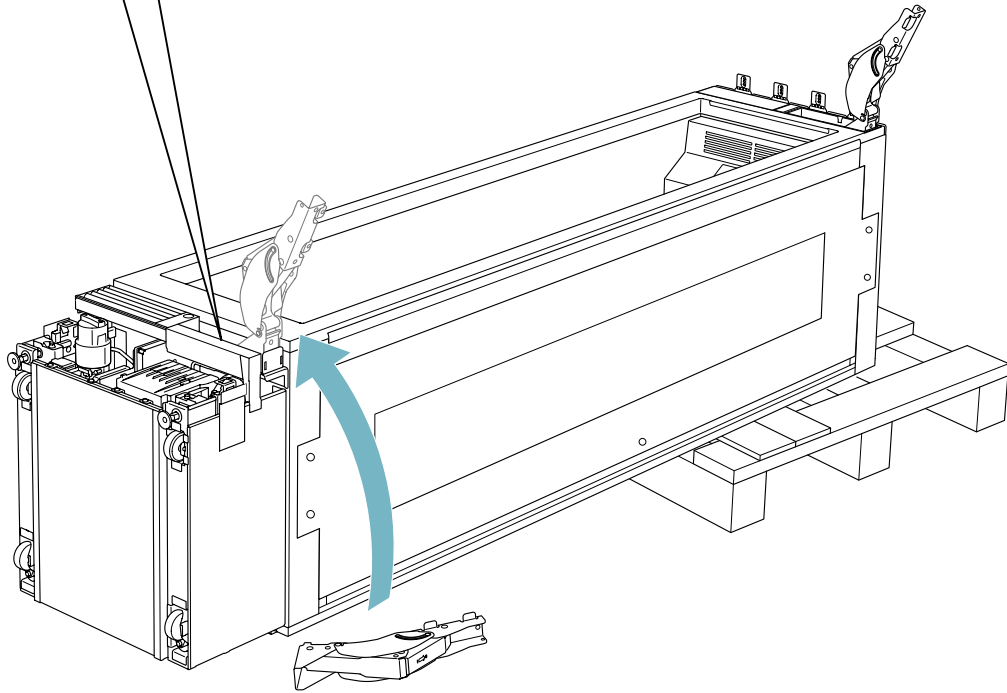
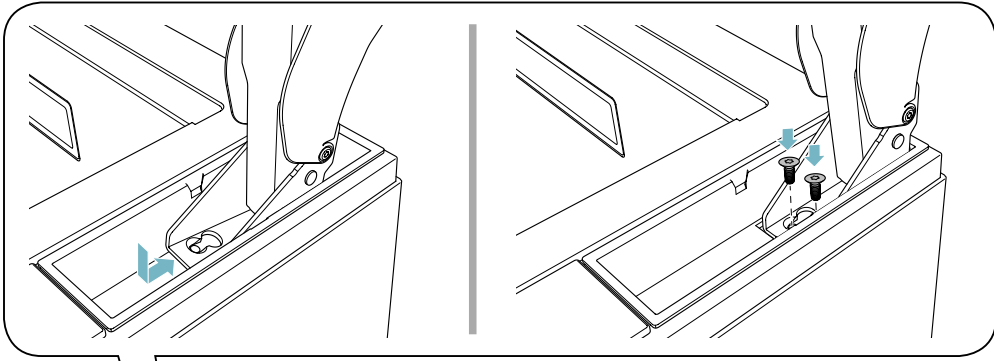
A
B
C
D



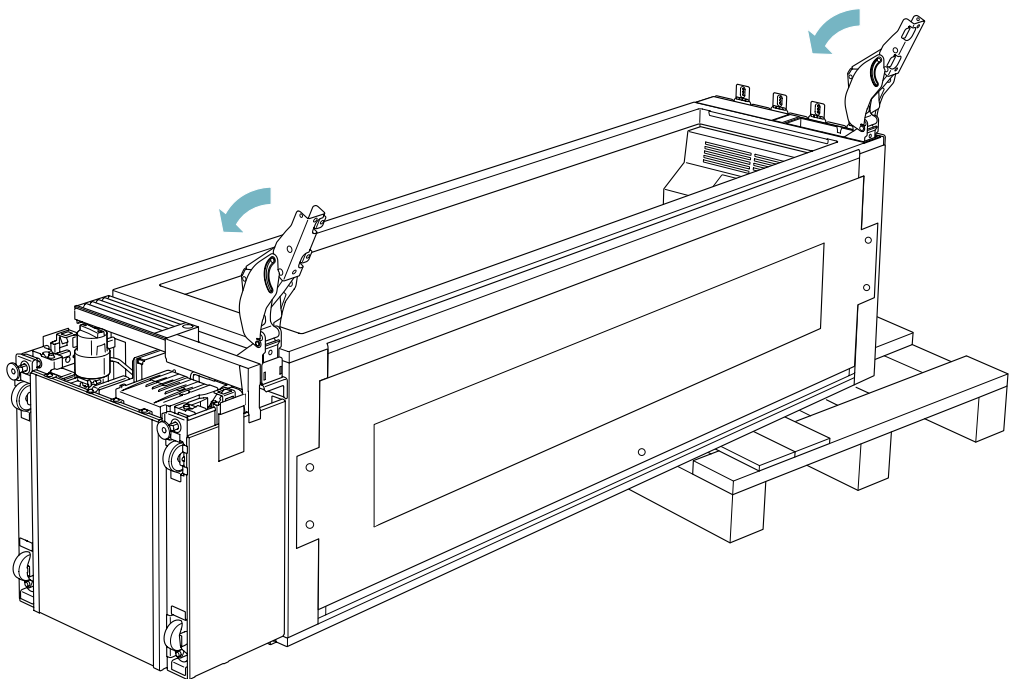
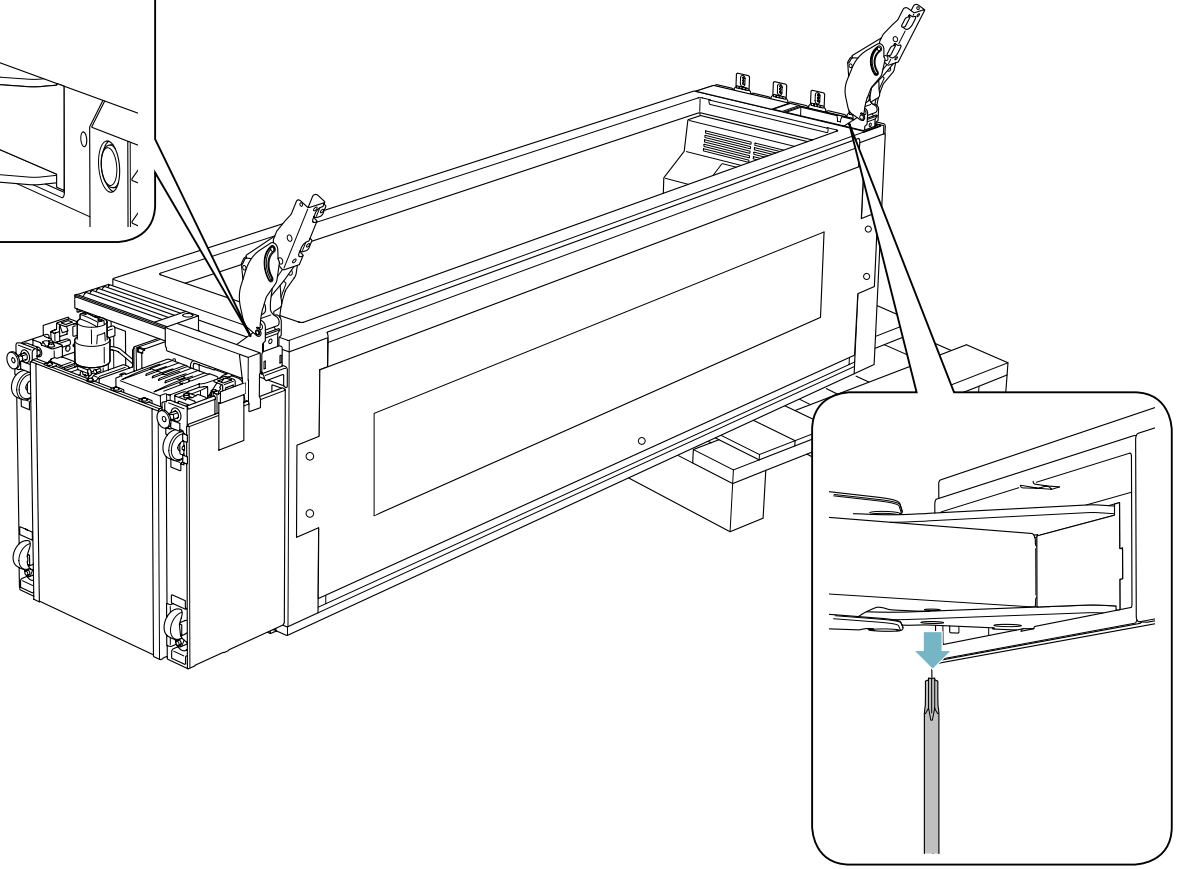
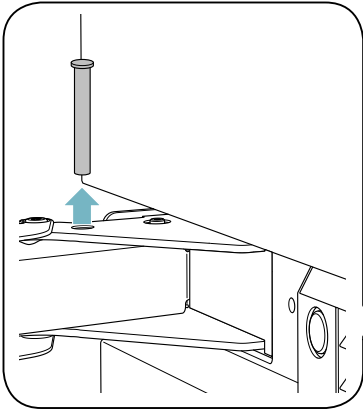


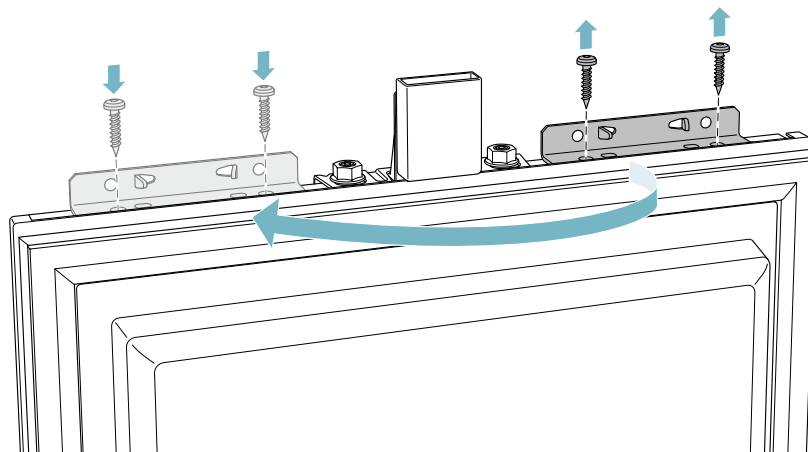
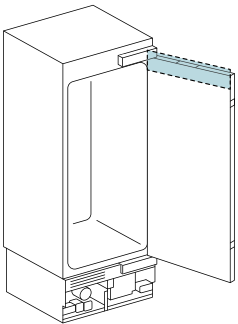
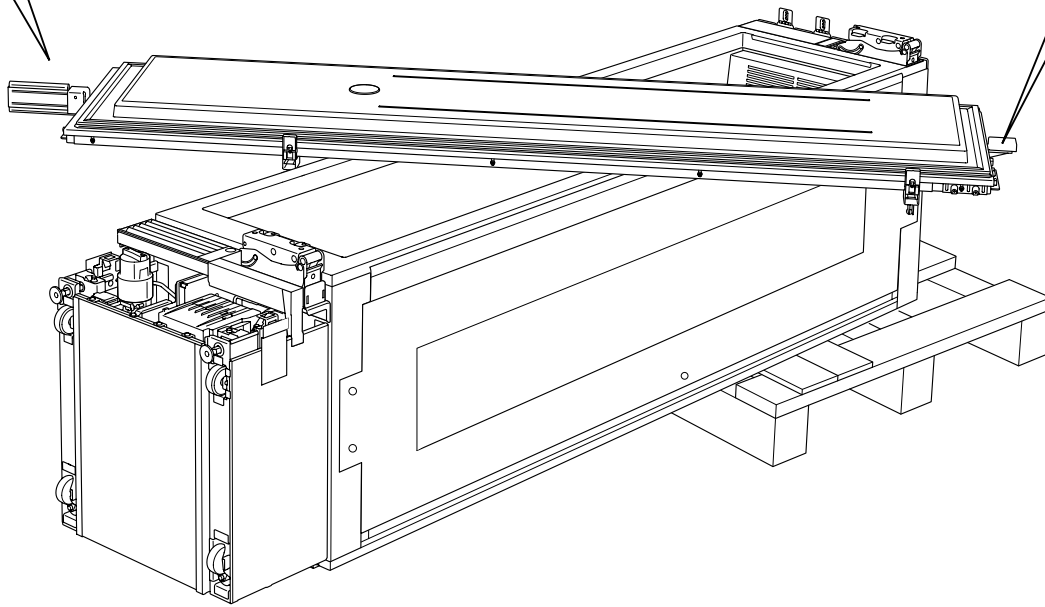
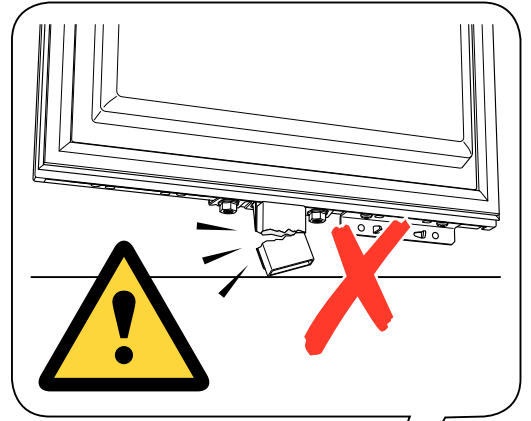
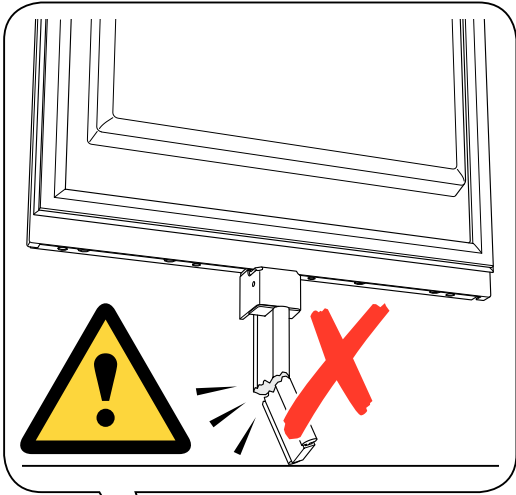
A
B
C
D



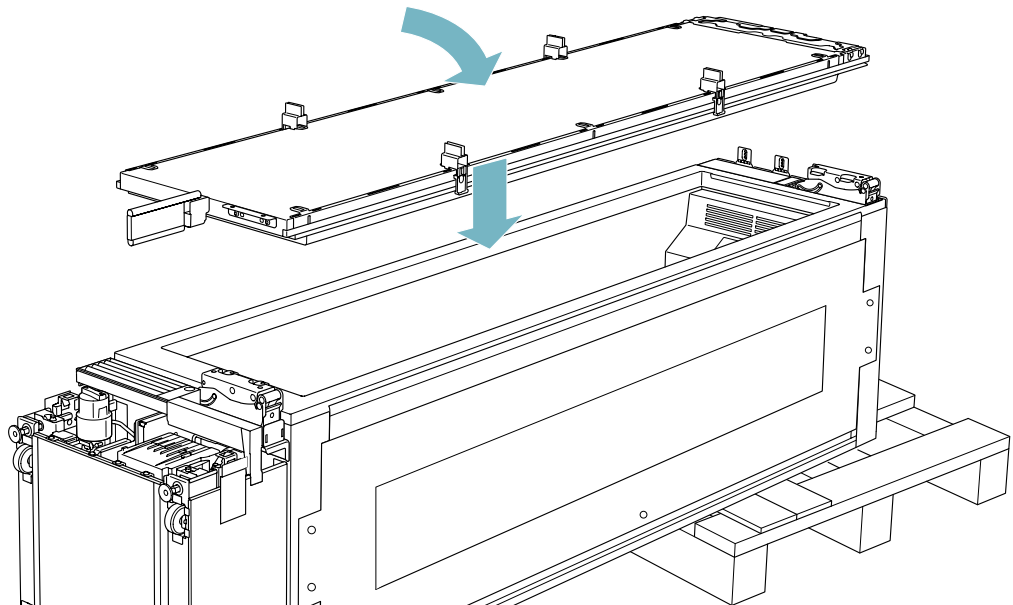
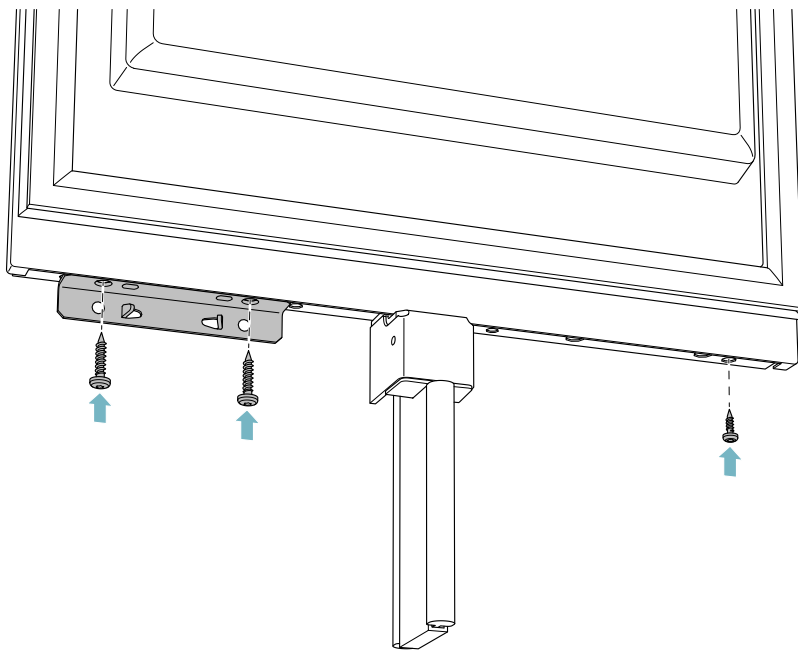
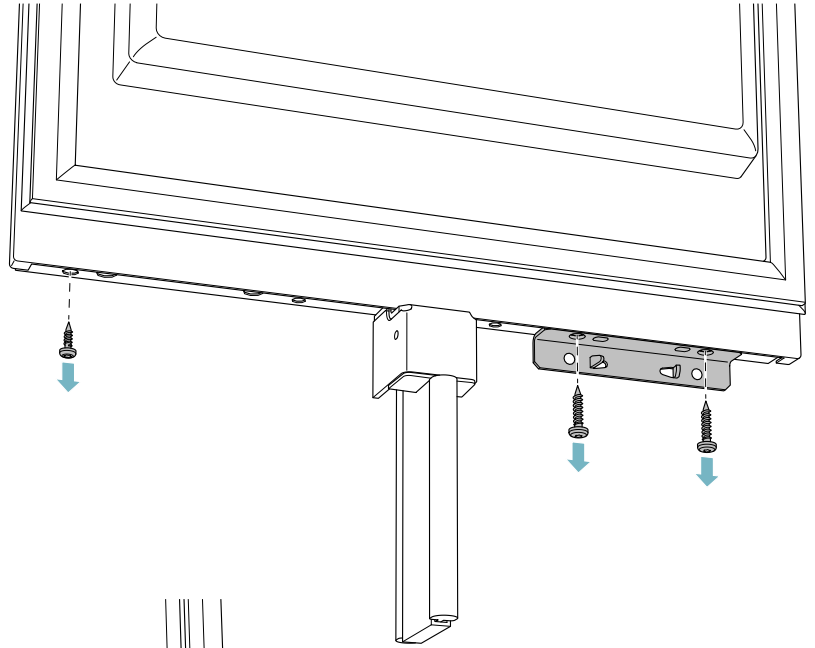
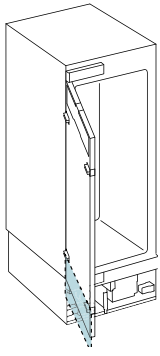


- A
- B
- C
- D





A
B
C
D



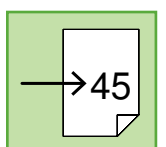
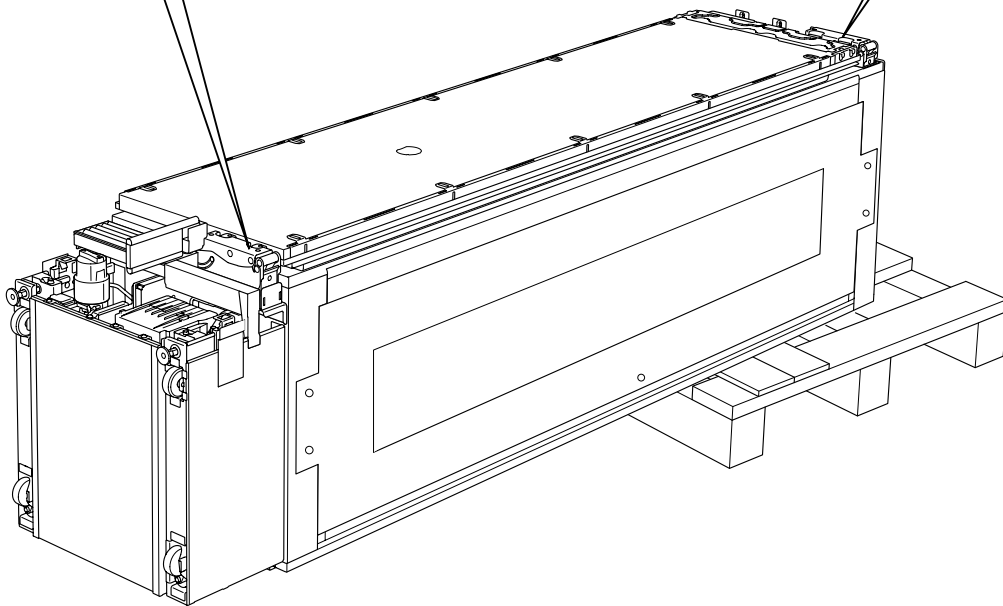
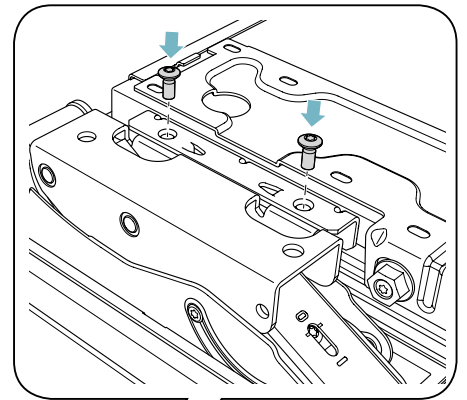
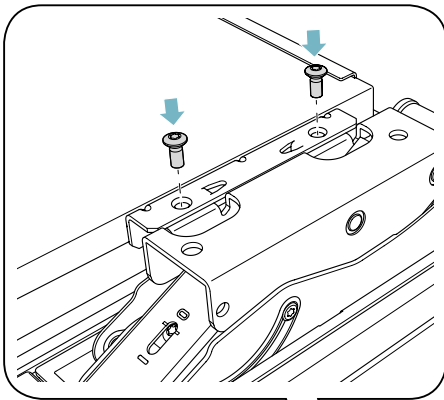
A

A

B

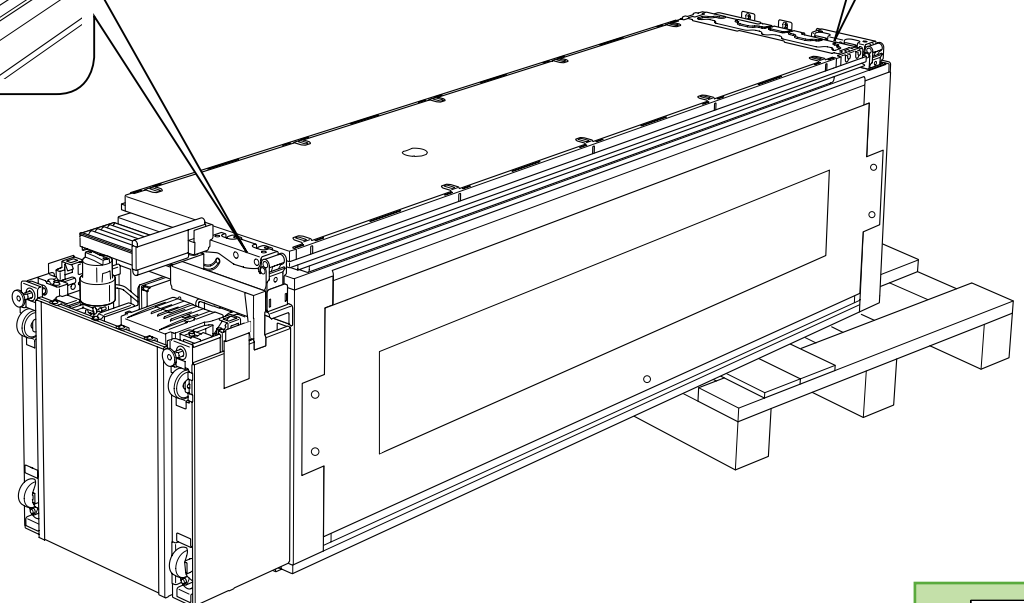
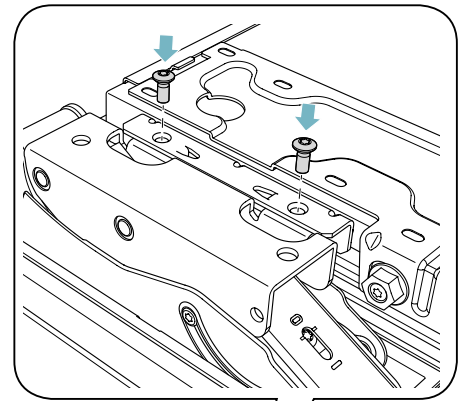
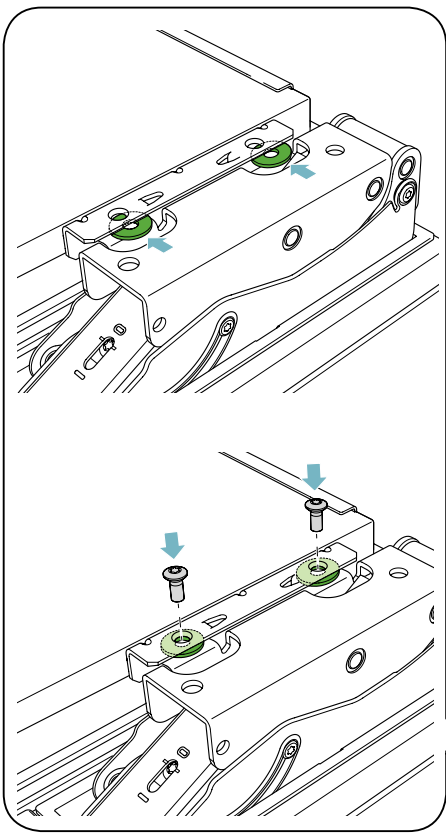
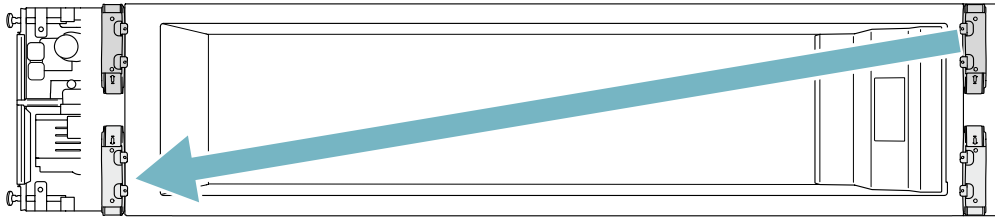
C

D

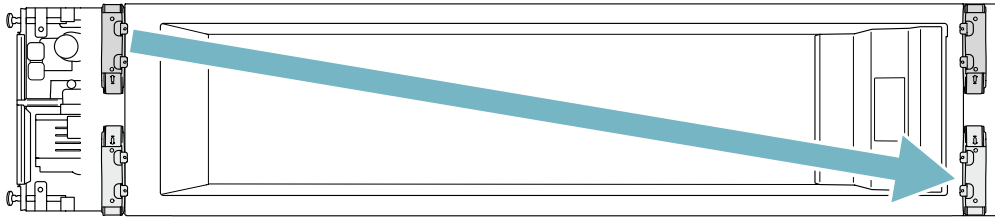


A
B
C
D

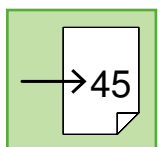
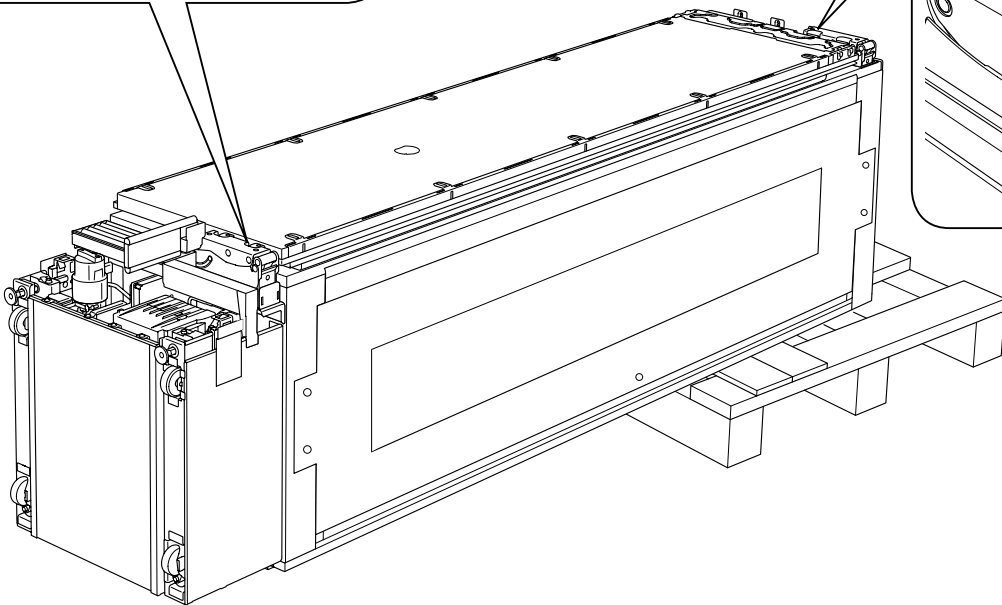
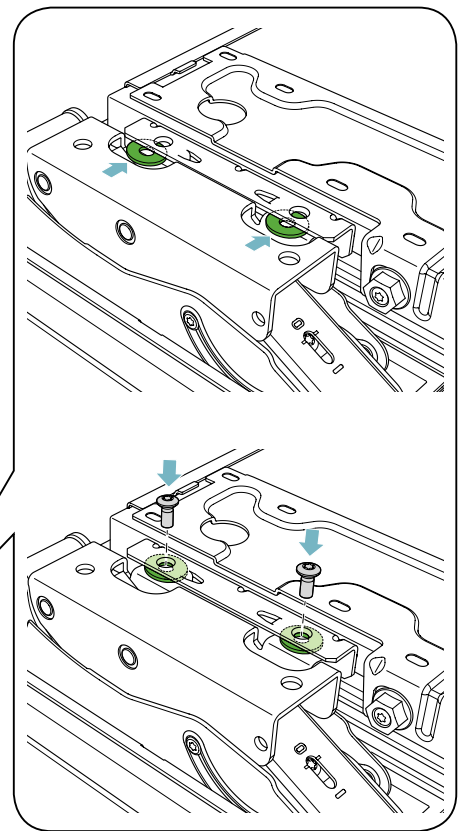
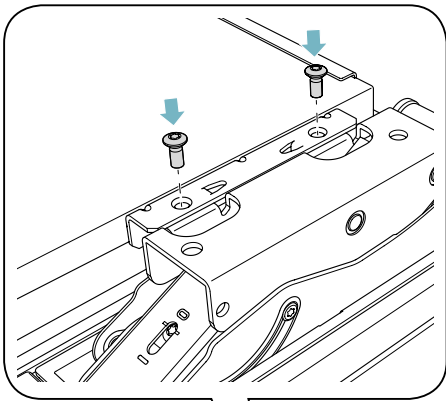
(B)
○ ○



→45



- A
- B
- C
- D



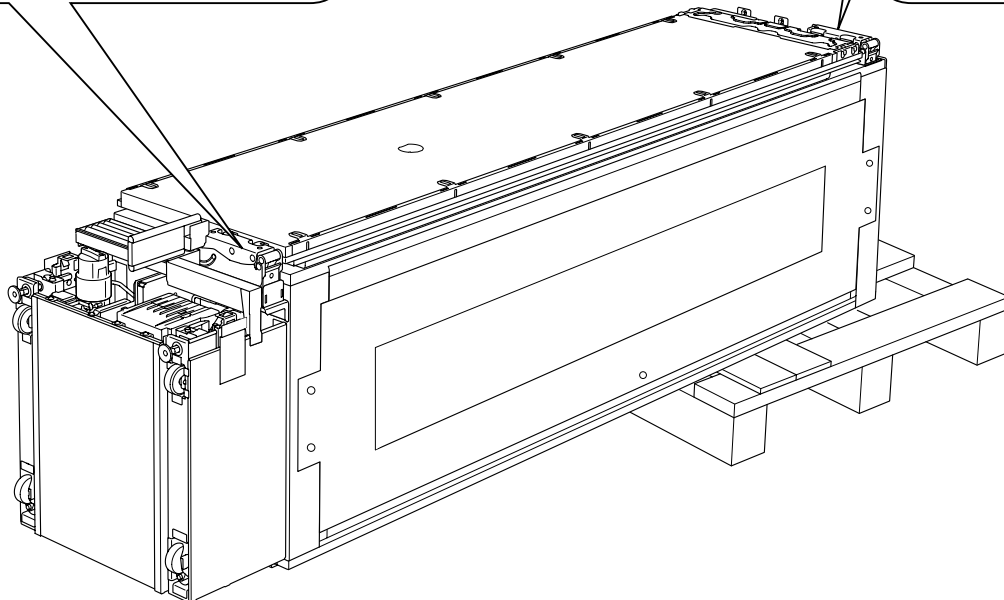
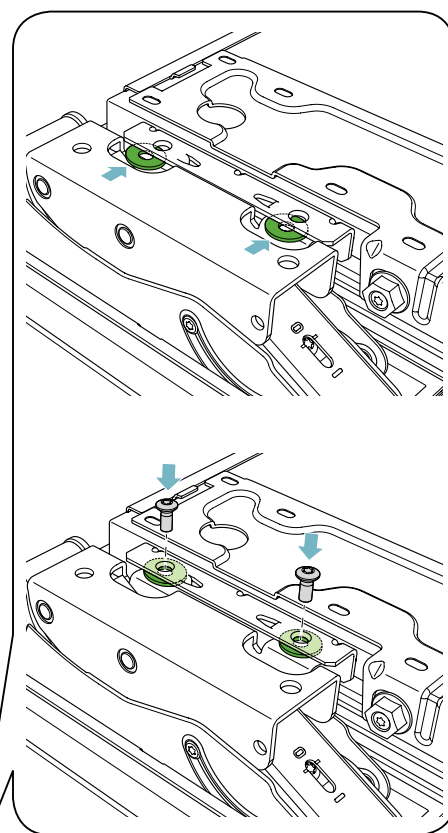
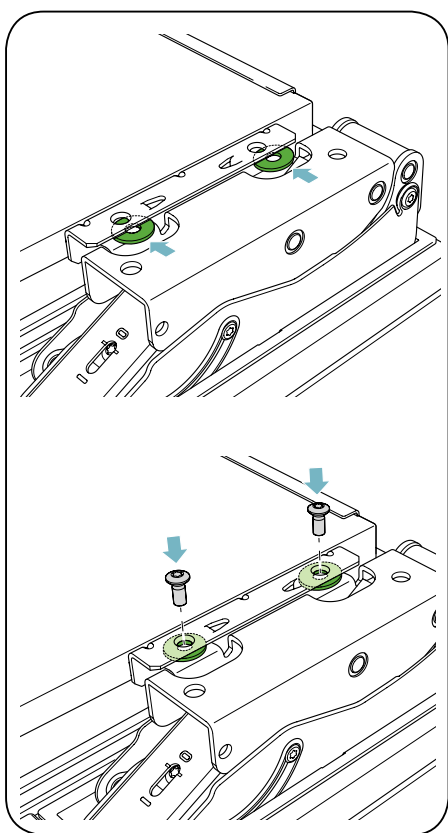
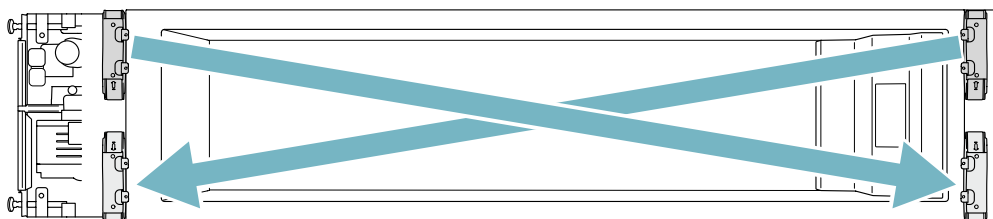
A

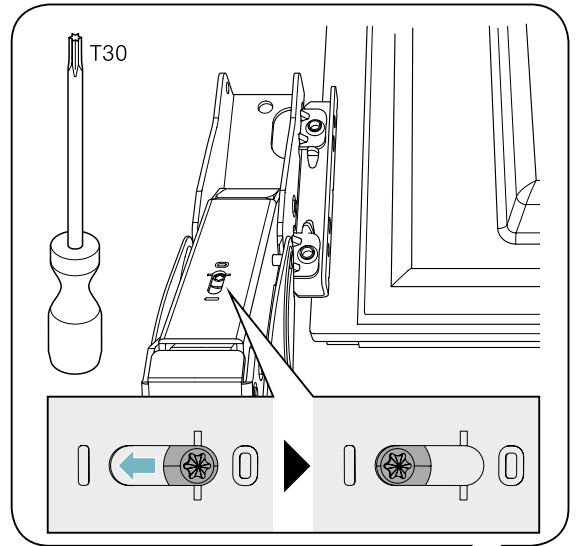
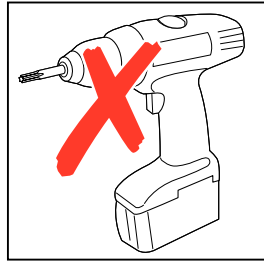
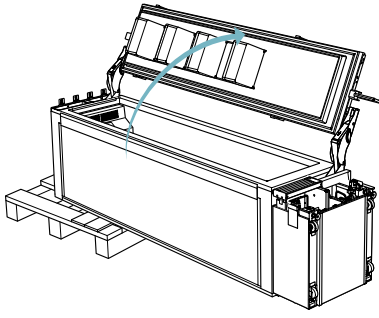
B

C

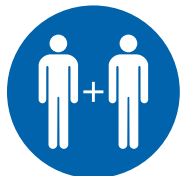
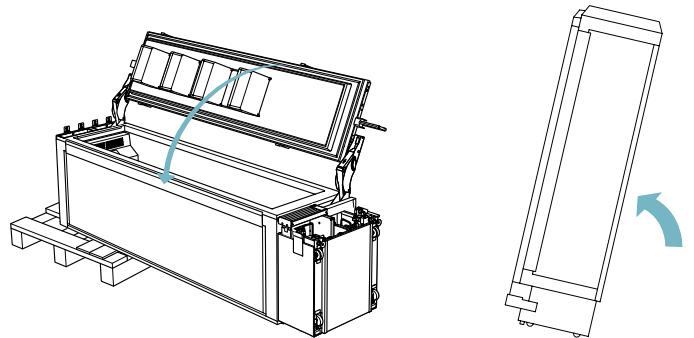
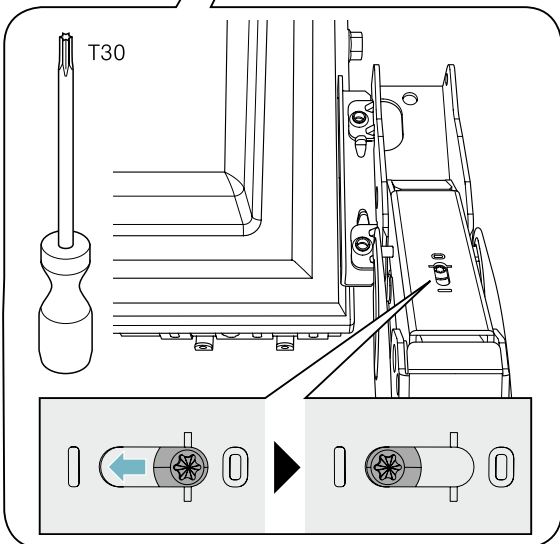
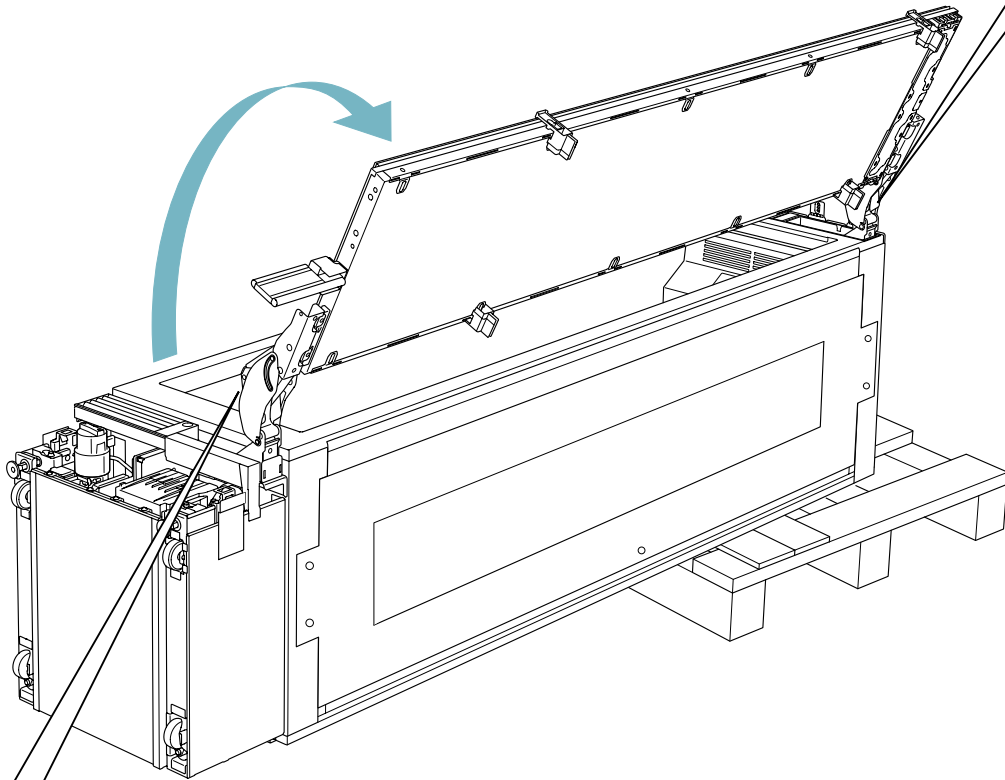
D

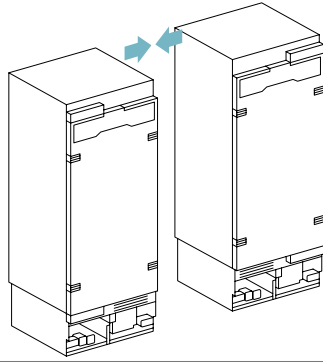
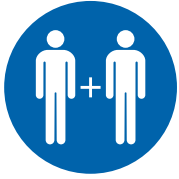
D



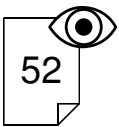
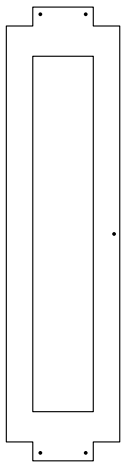
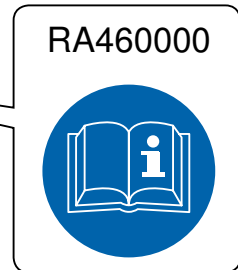
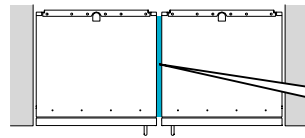
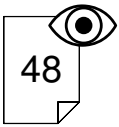
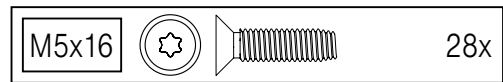
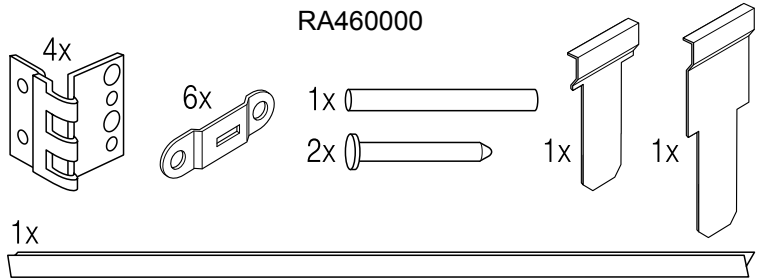
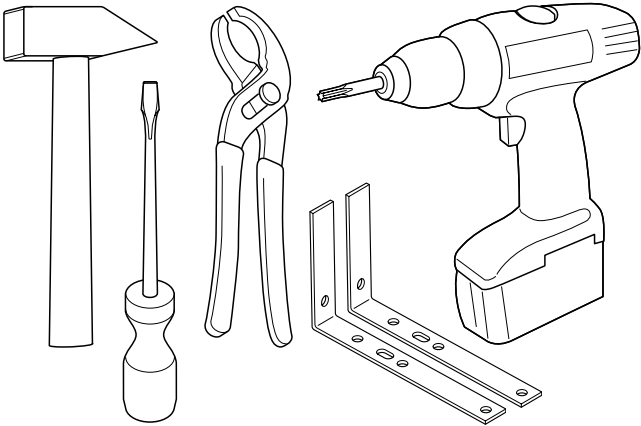


A
B
C
D

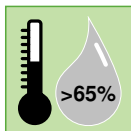
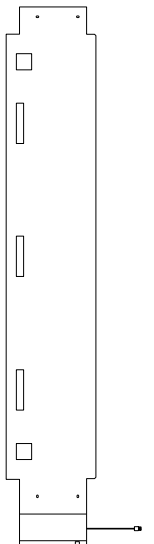
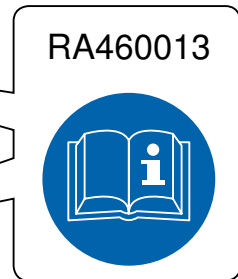
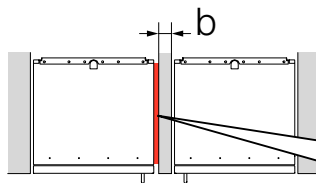




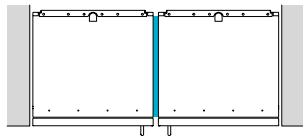
A
B
C
D



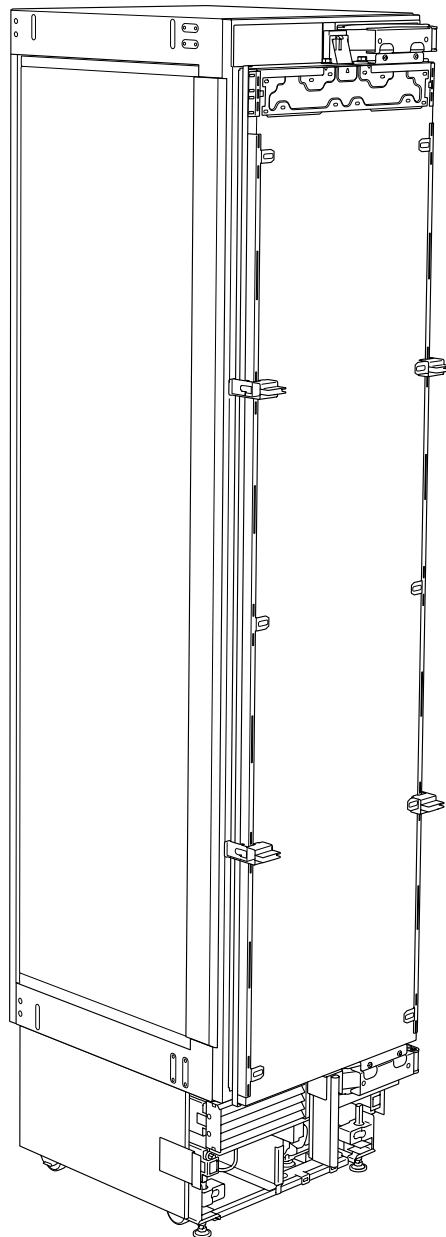
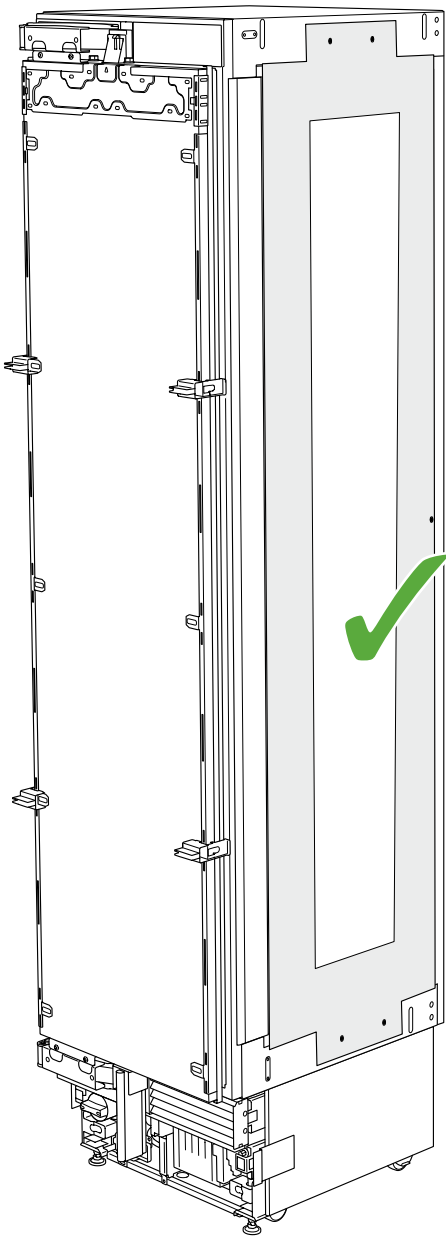
$\frac{5}{8}'' \leq b < 6\frac{1}{4}''$
(16 mm \leq b < 160 mm)





A
B
C
D

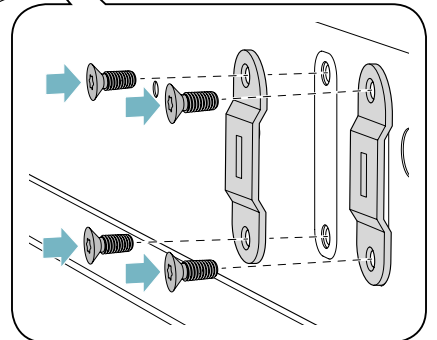
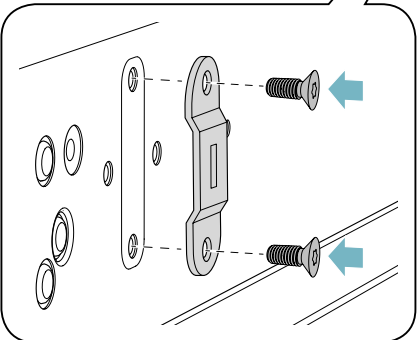
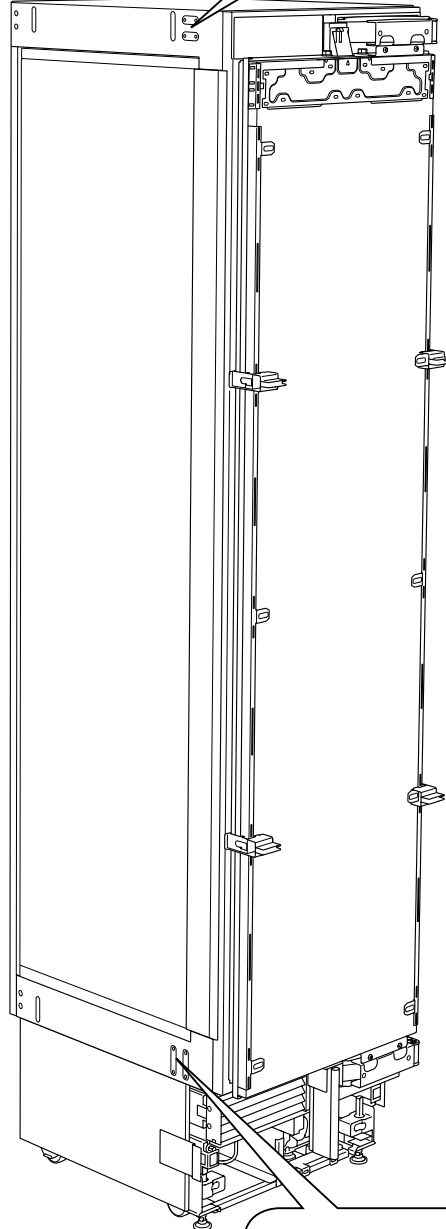
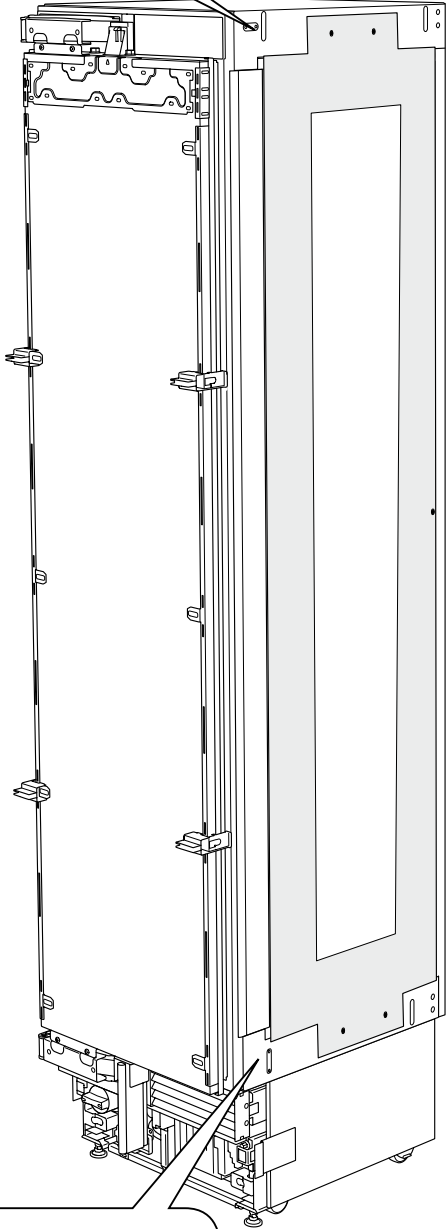
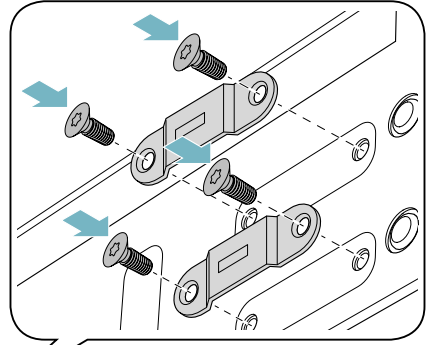
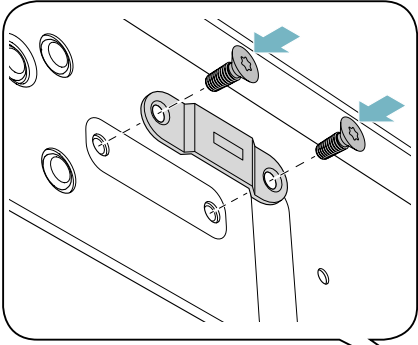


RA460000



M5x16   12x

A
B
C
D



A

B

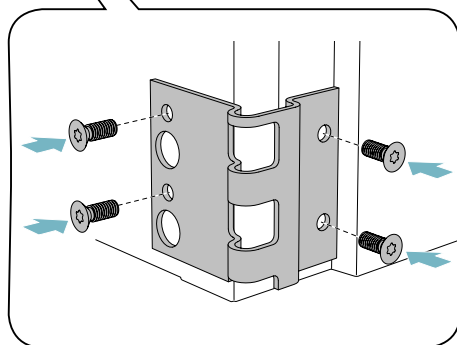
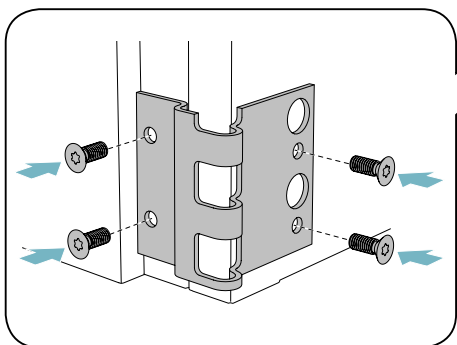
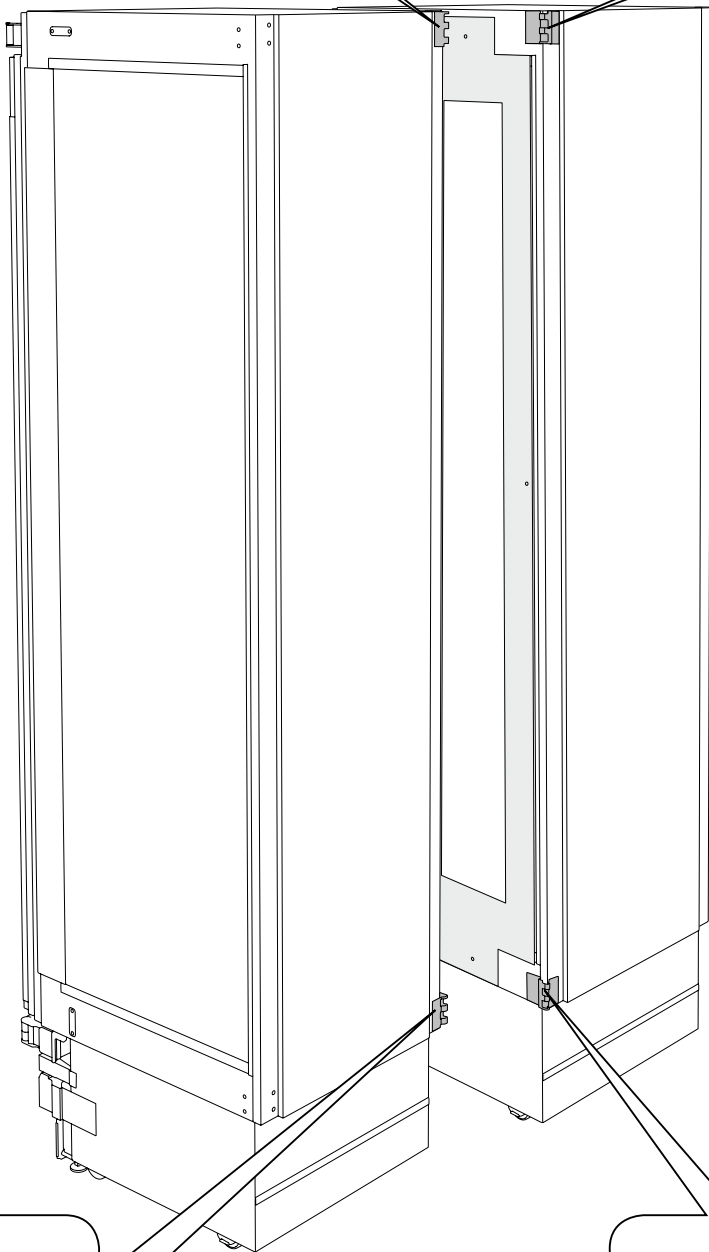
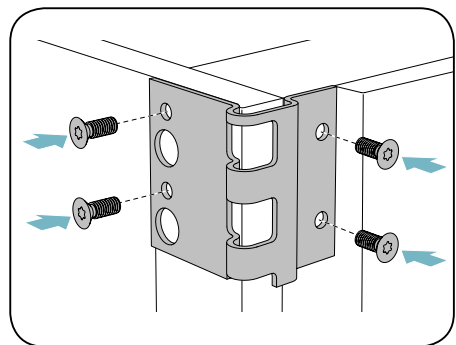
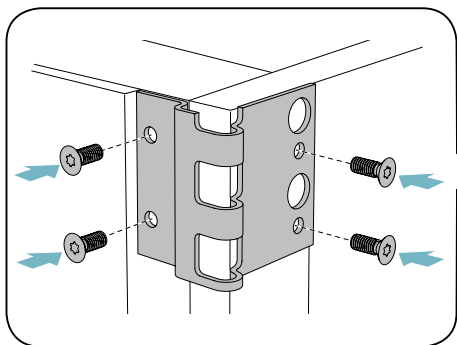
C

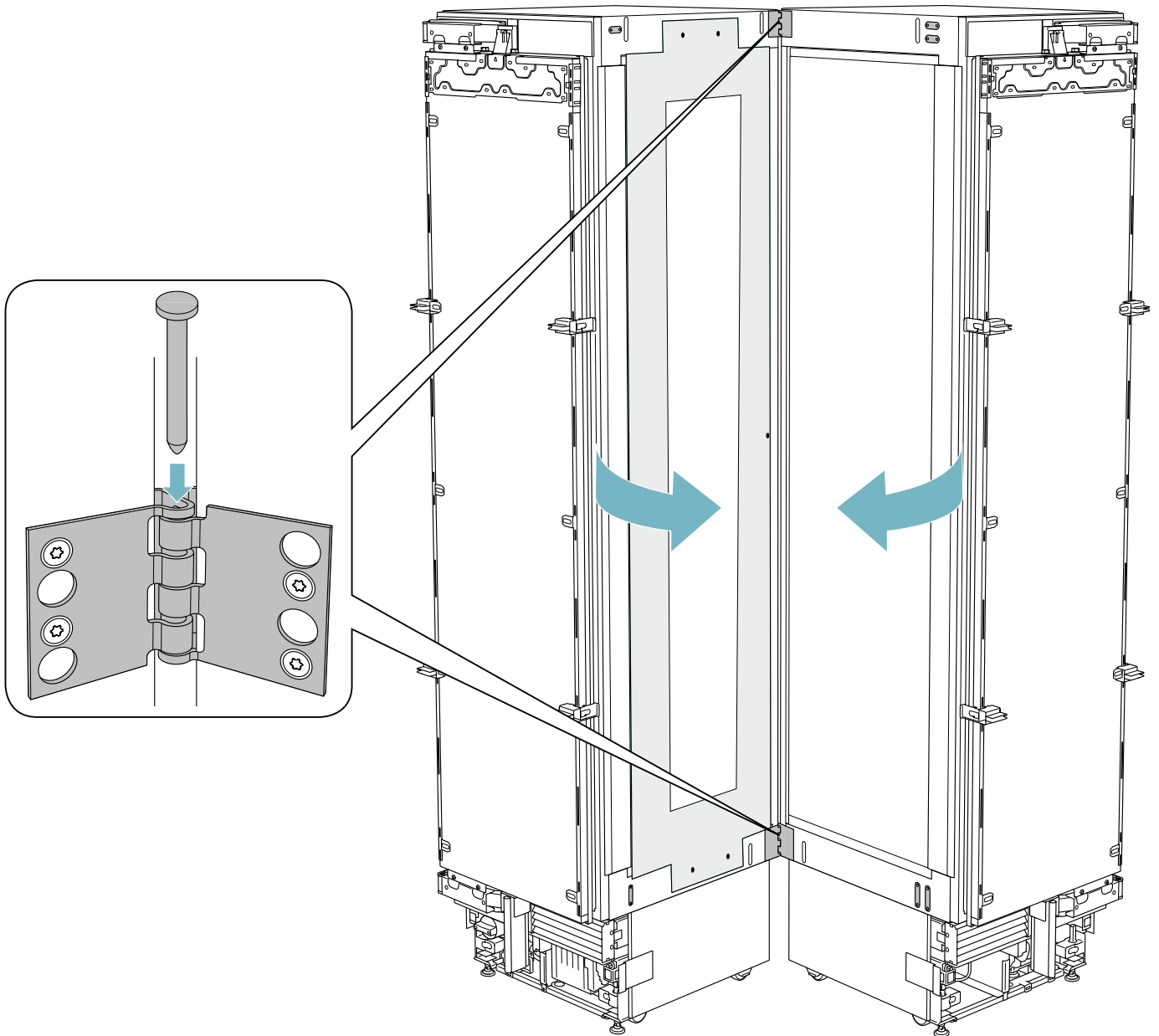
D

M5x16



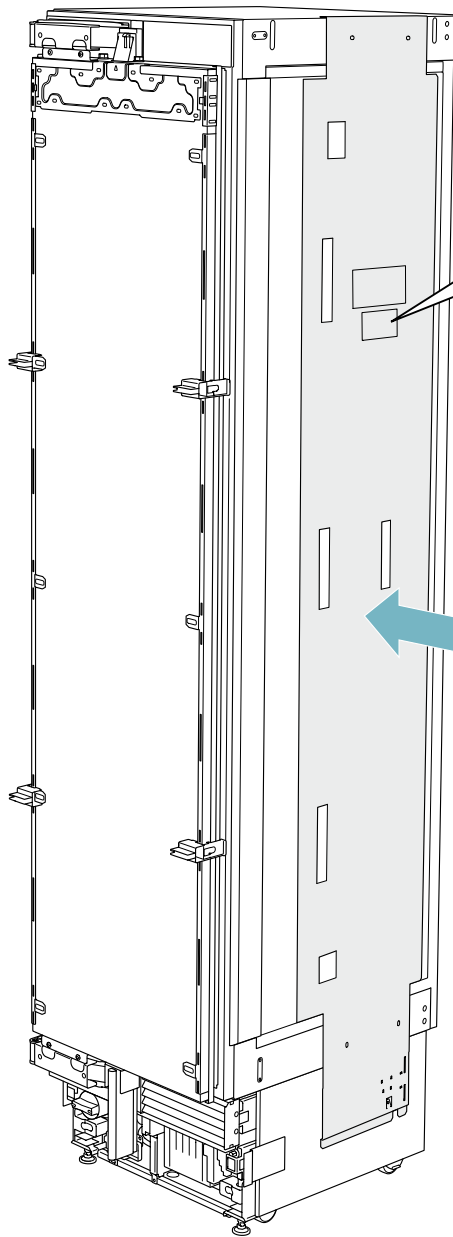
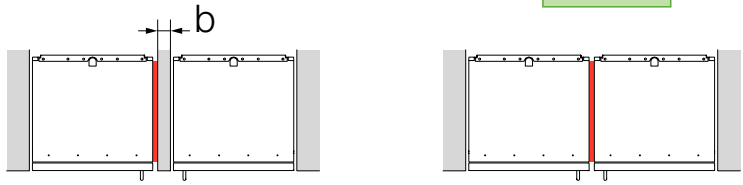
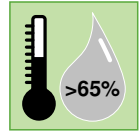
16x



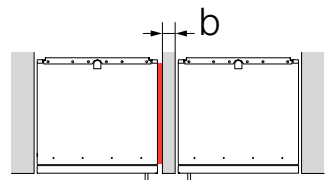


A
B
C
D



$\frac{5}{8}'' \leq b < 6\frac{1}{4}''$
(16 mm \leq b < 160 mm)



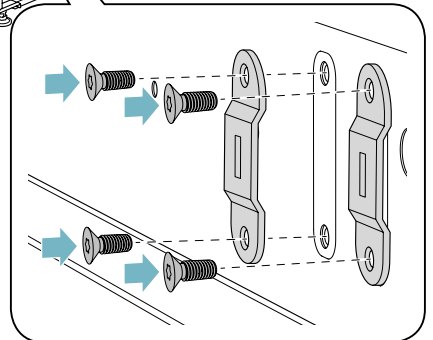
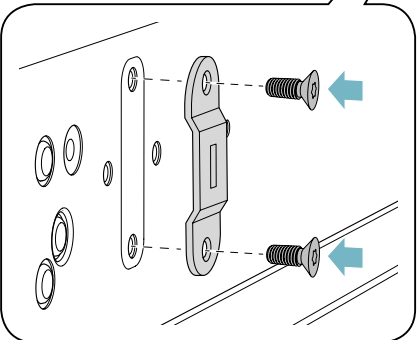
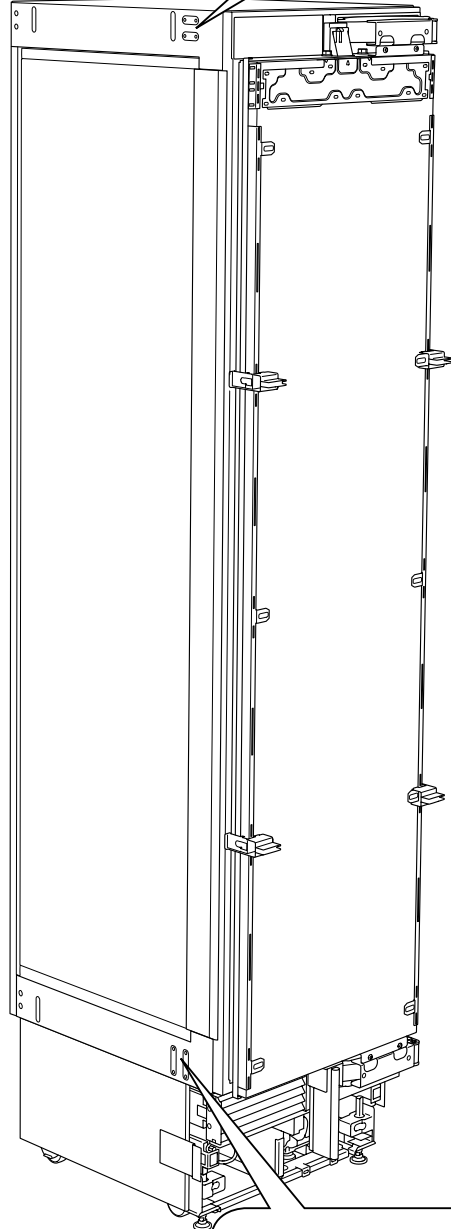
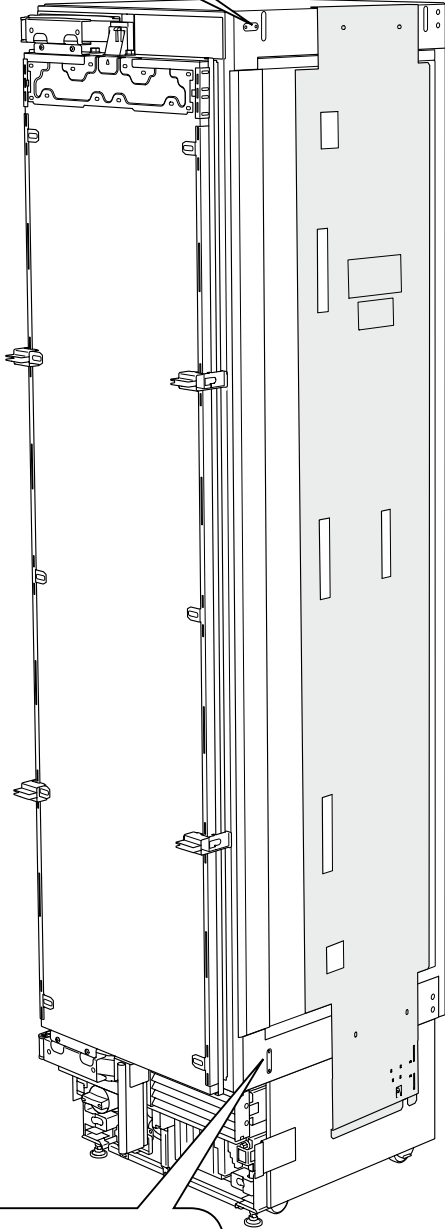
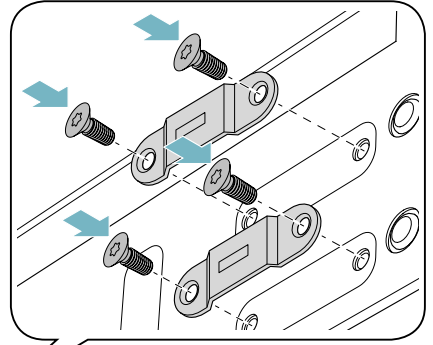
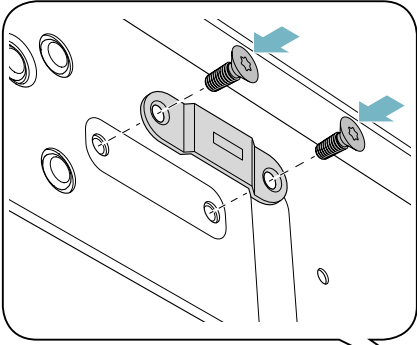
RA460013



→ 58

M5x16   12x

A
B
C
D





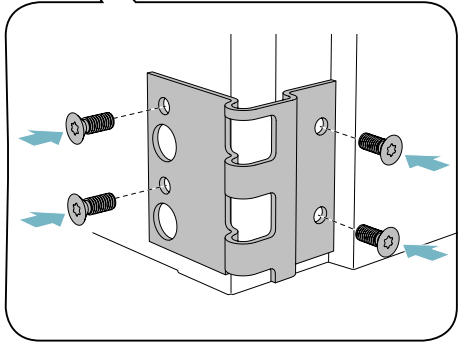
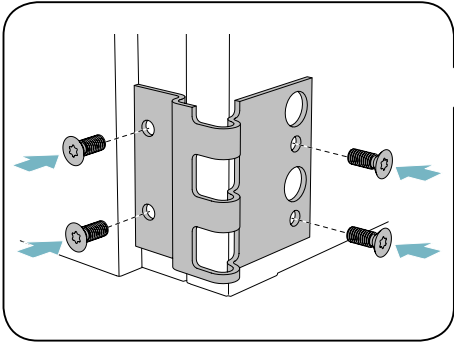
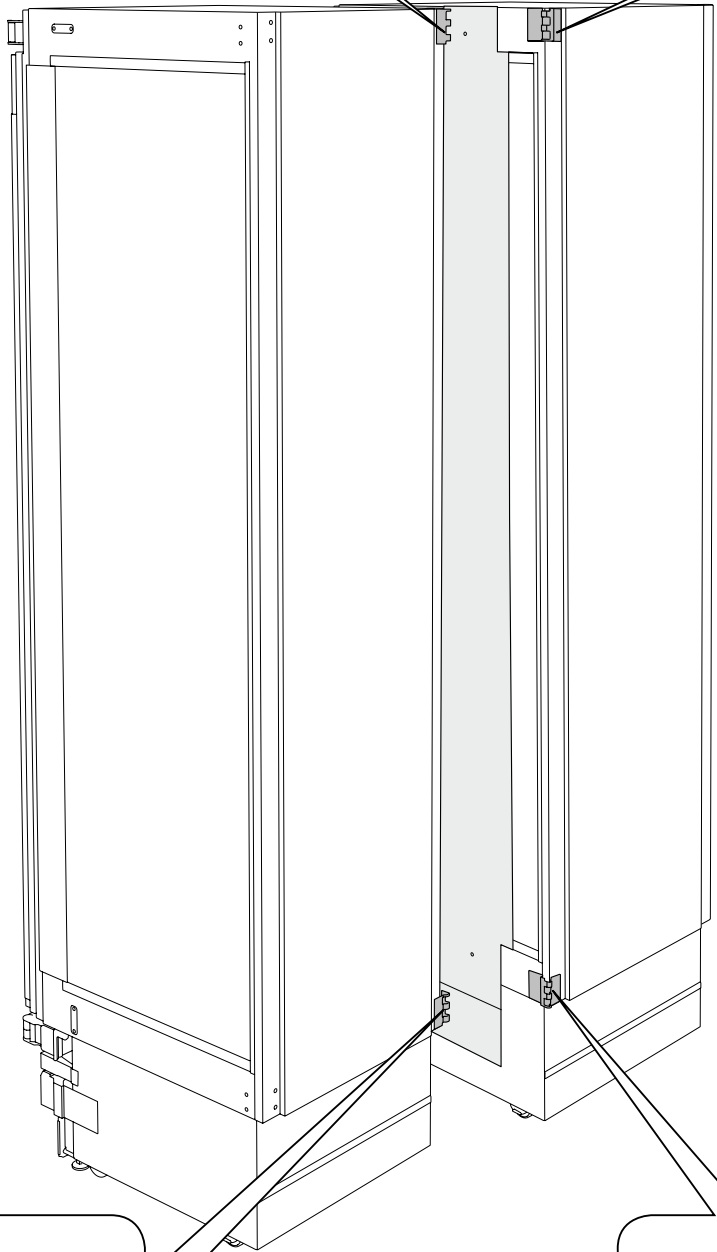
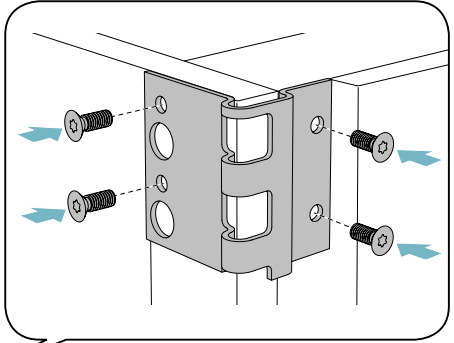
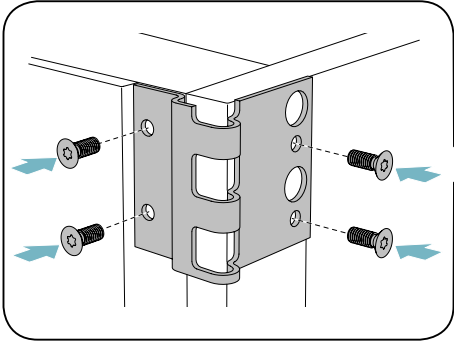
A

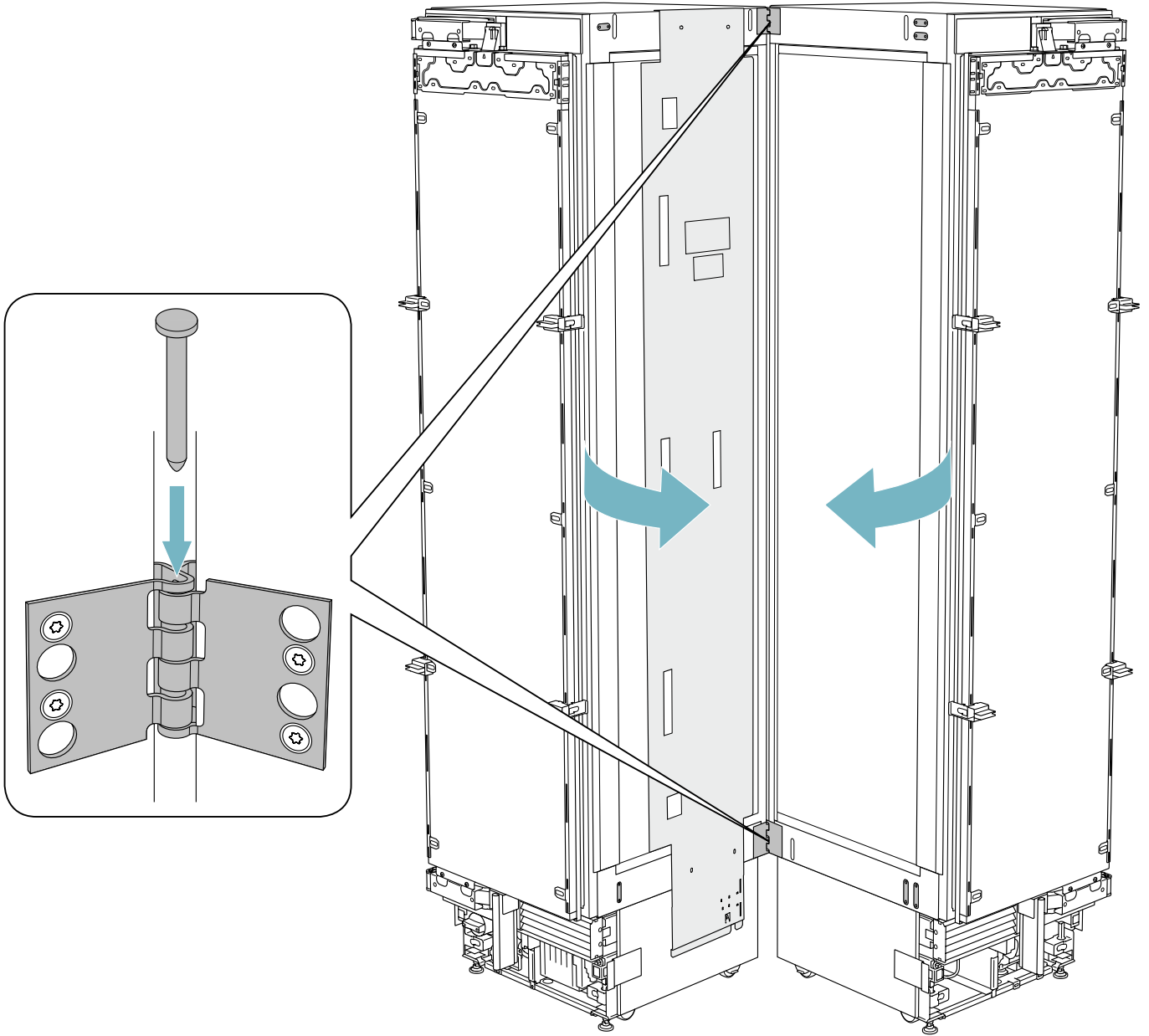
B

C

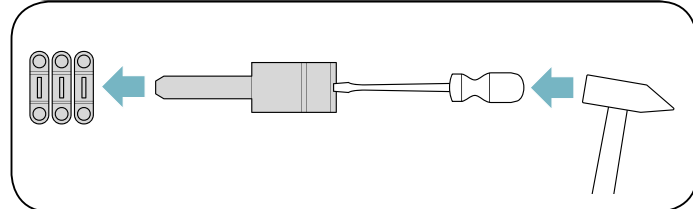
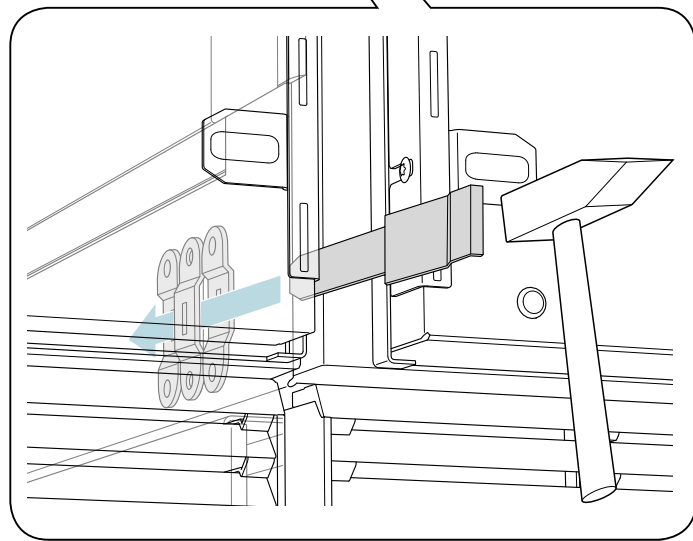
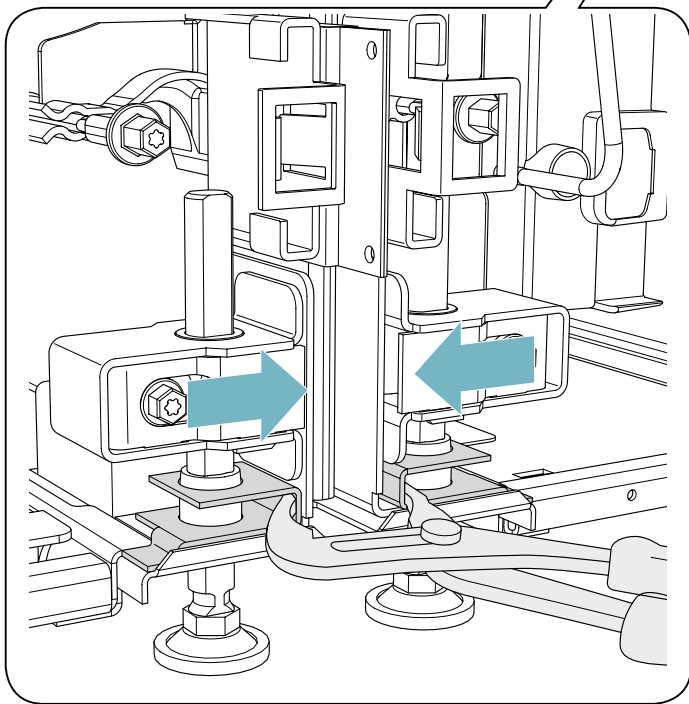
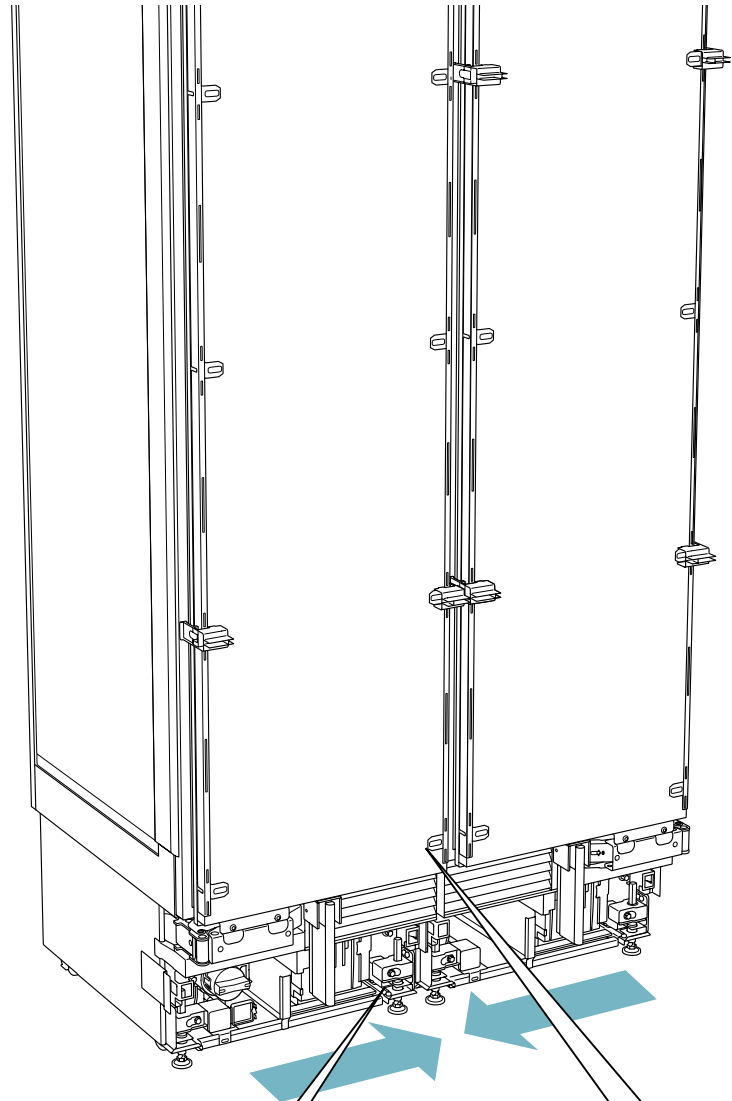
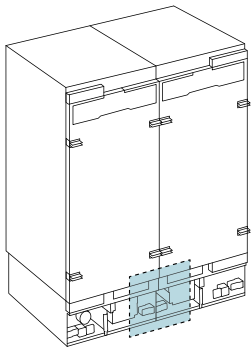
D

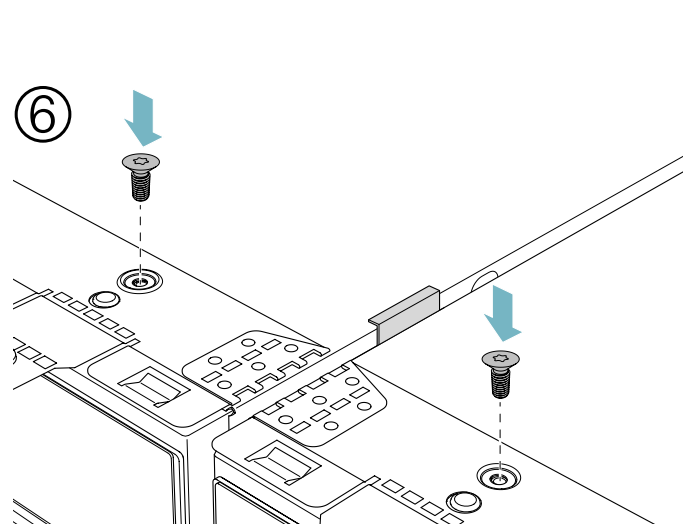
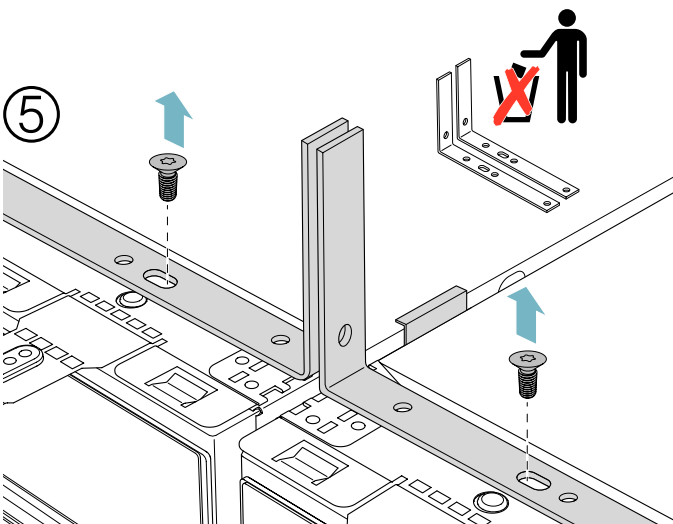
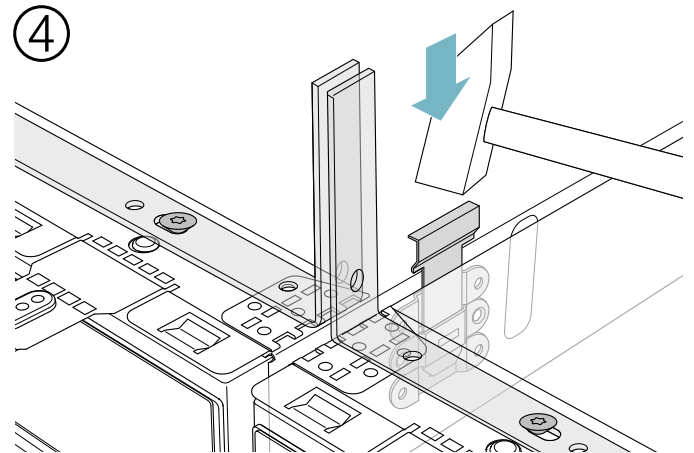
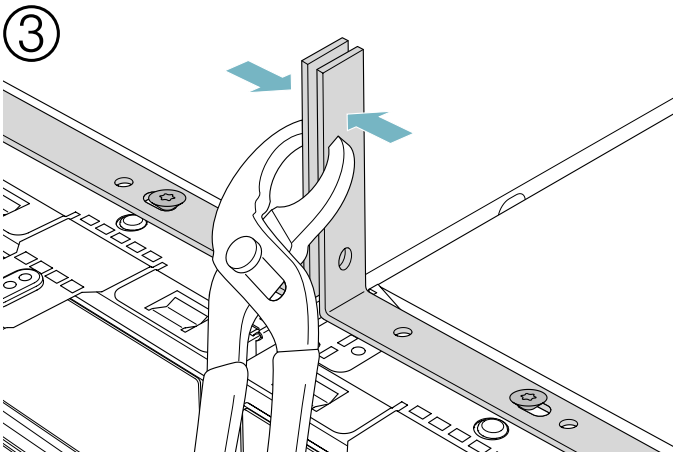
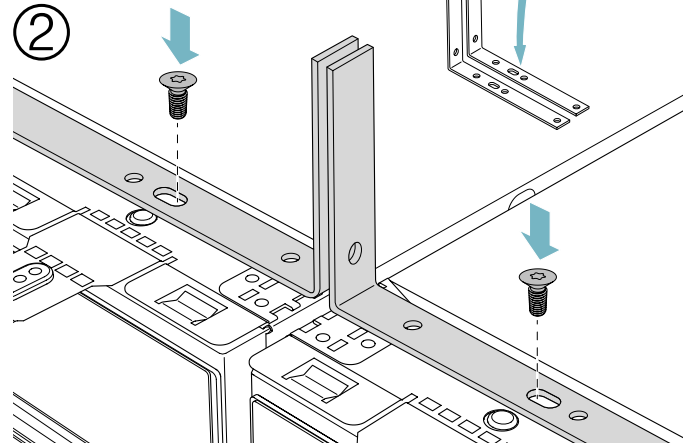
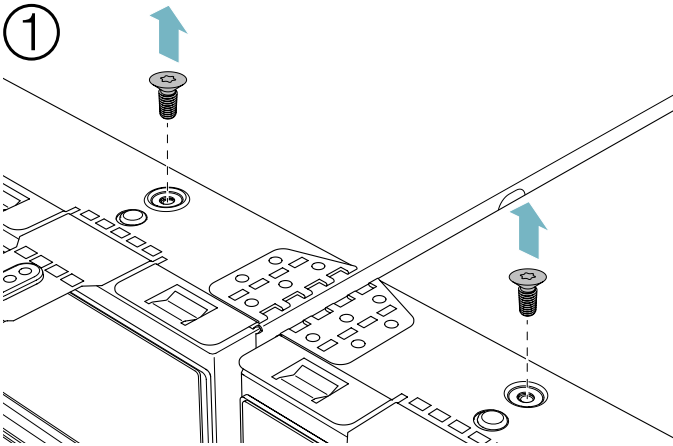
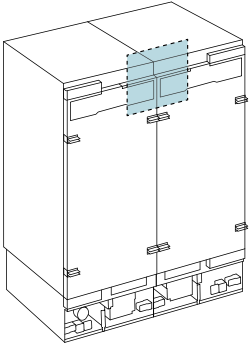
M5x16   16x

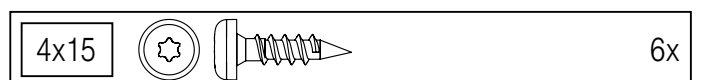
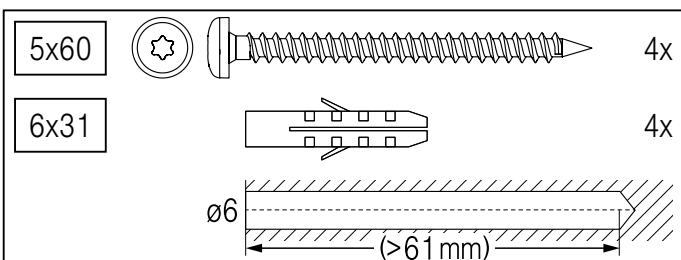
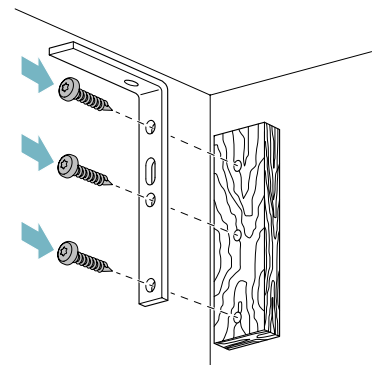
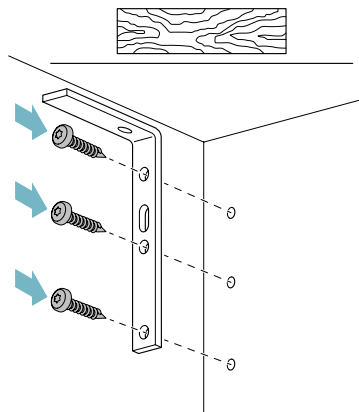
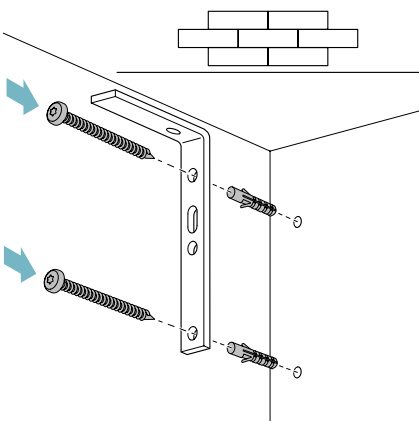
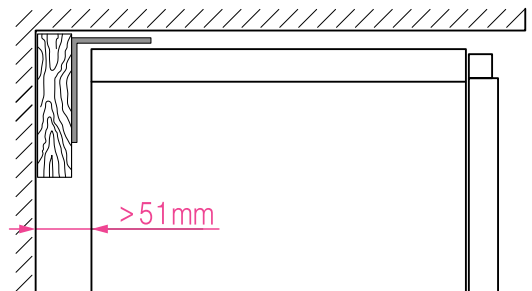
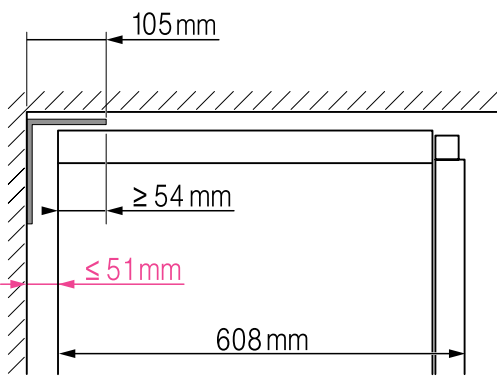
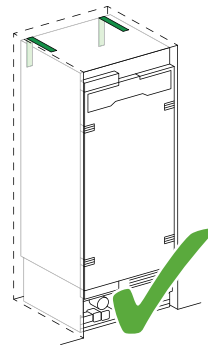
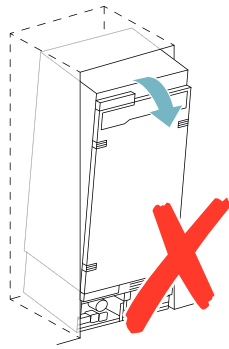
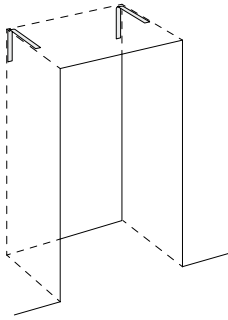


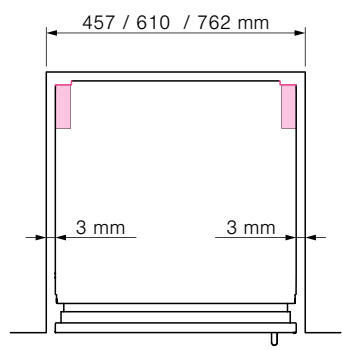
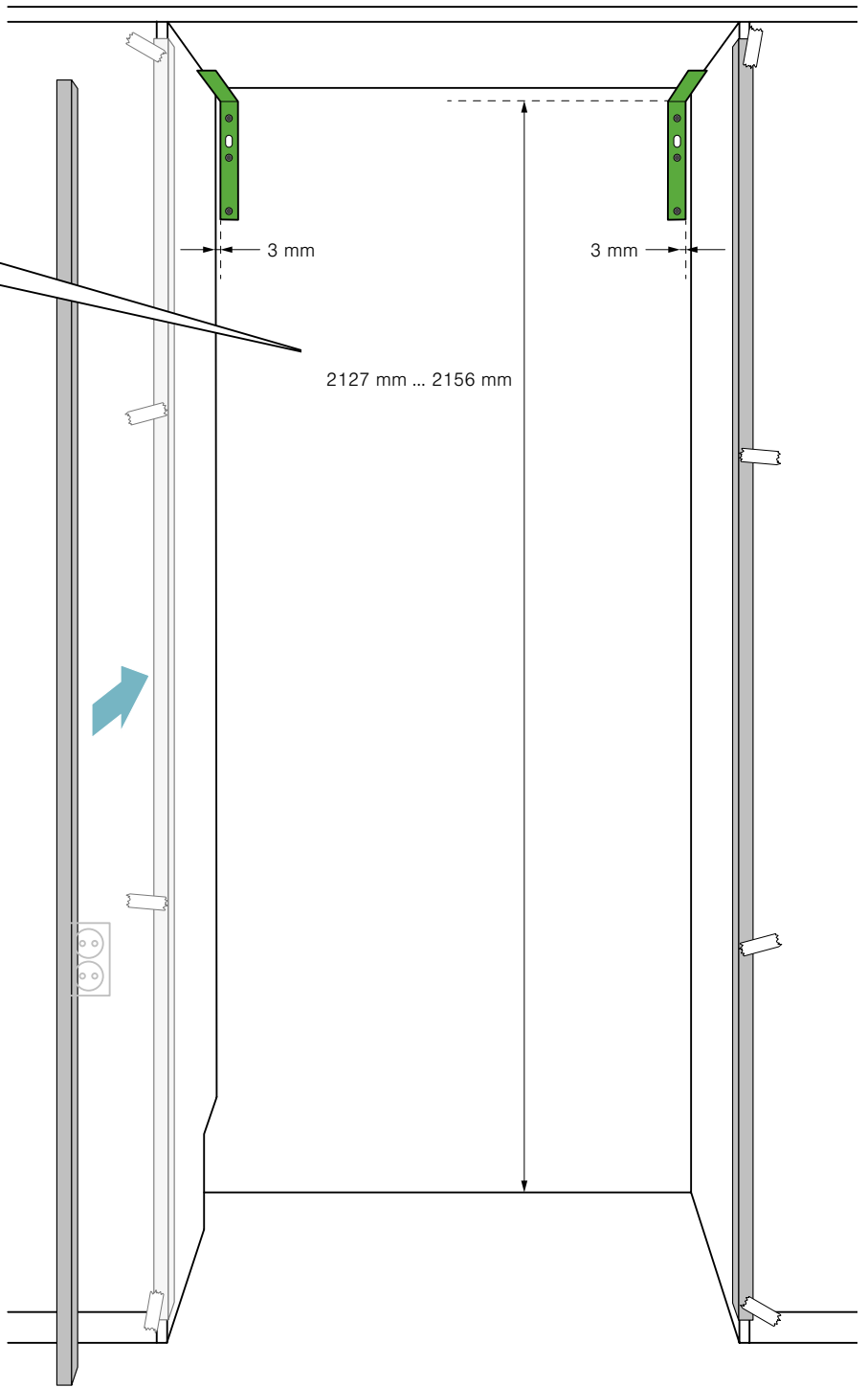
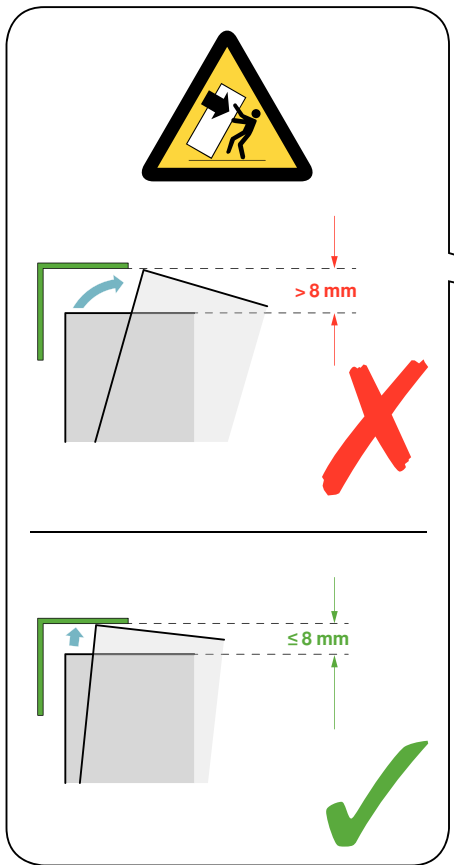
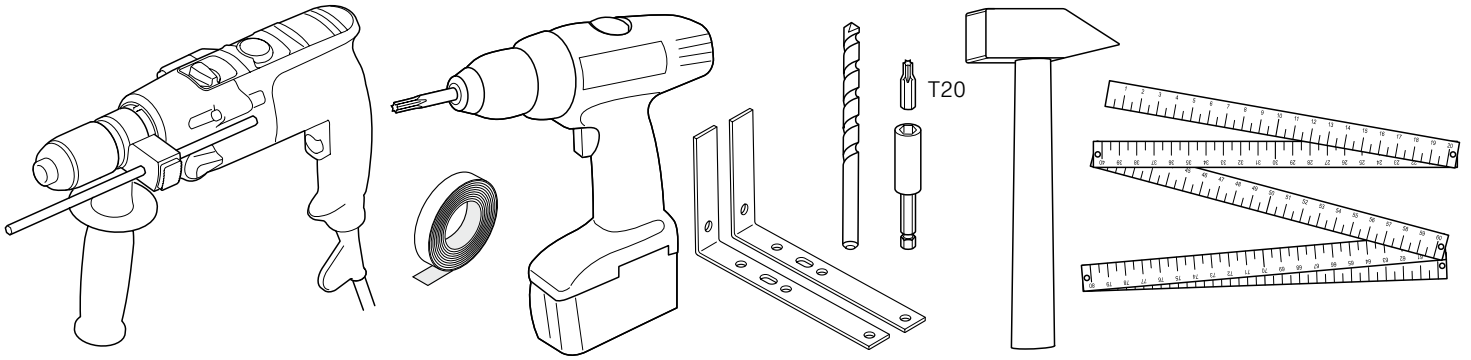


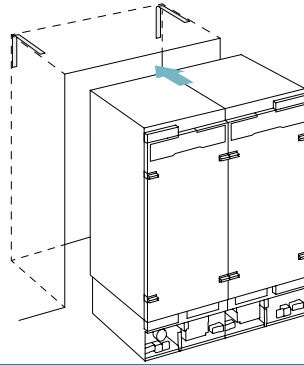
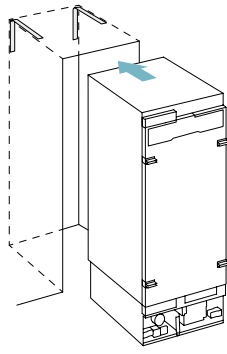
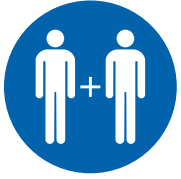
A
B
C
D



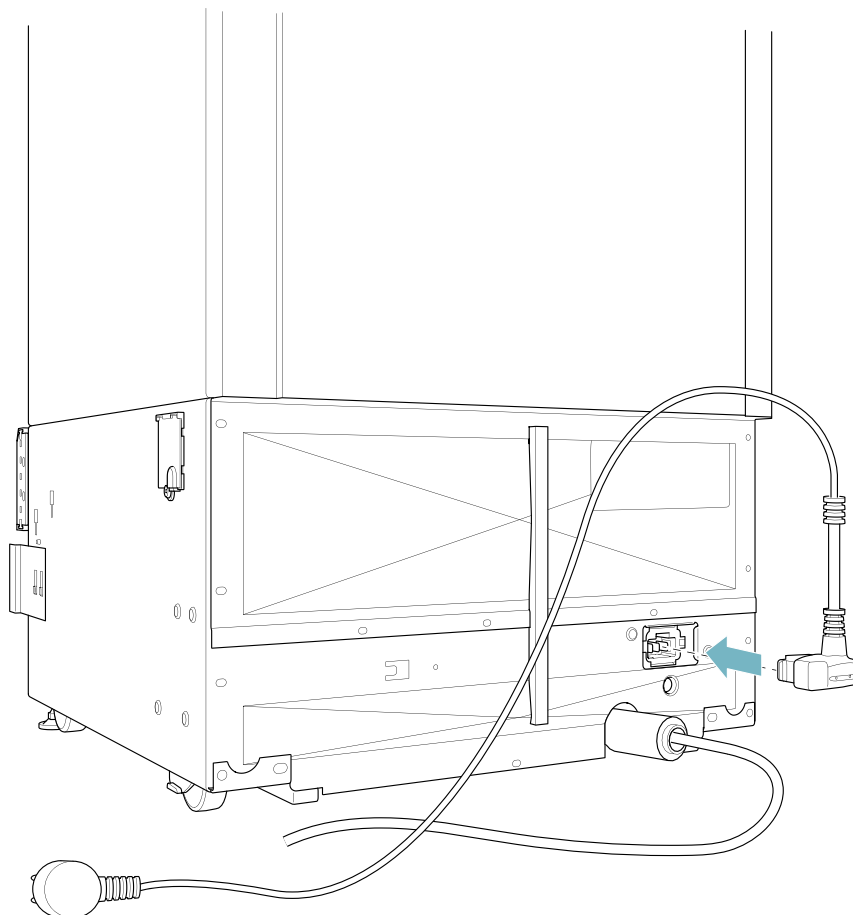
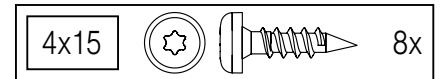
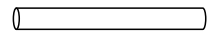
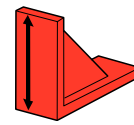
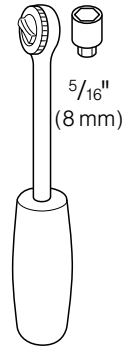
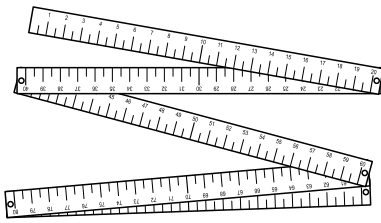
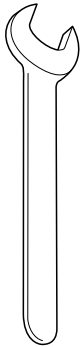
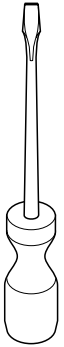
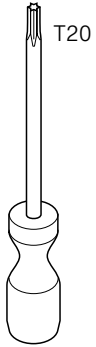




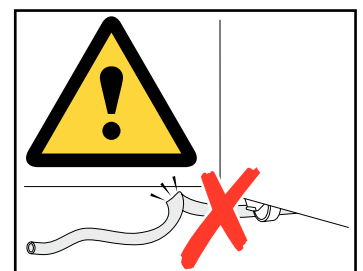
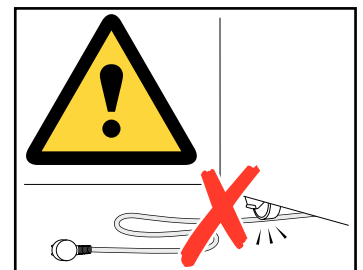
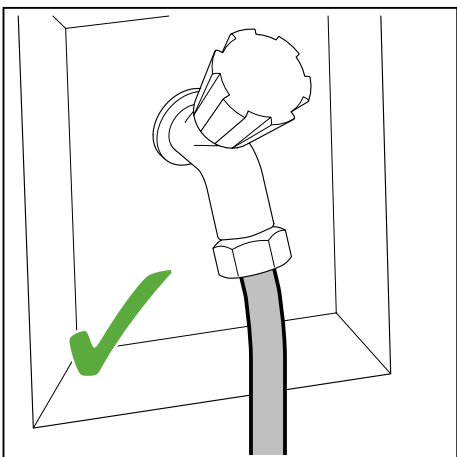
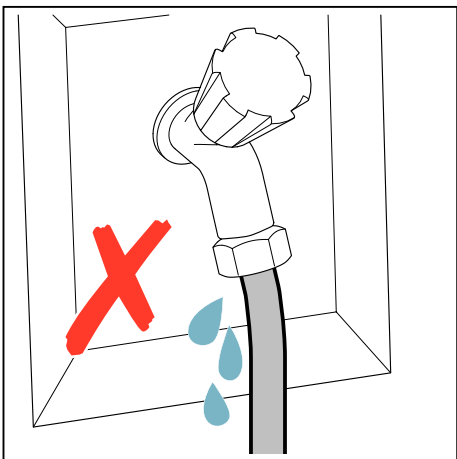
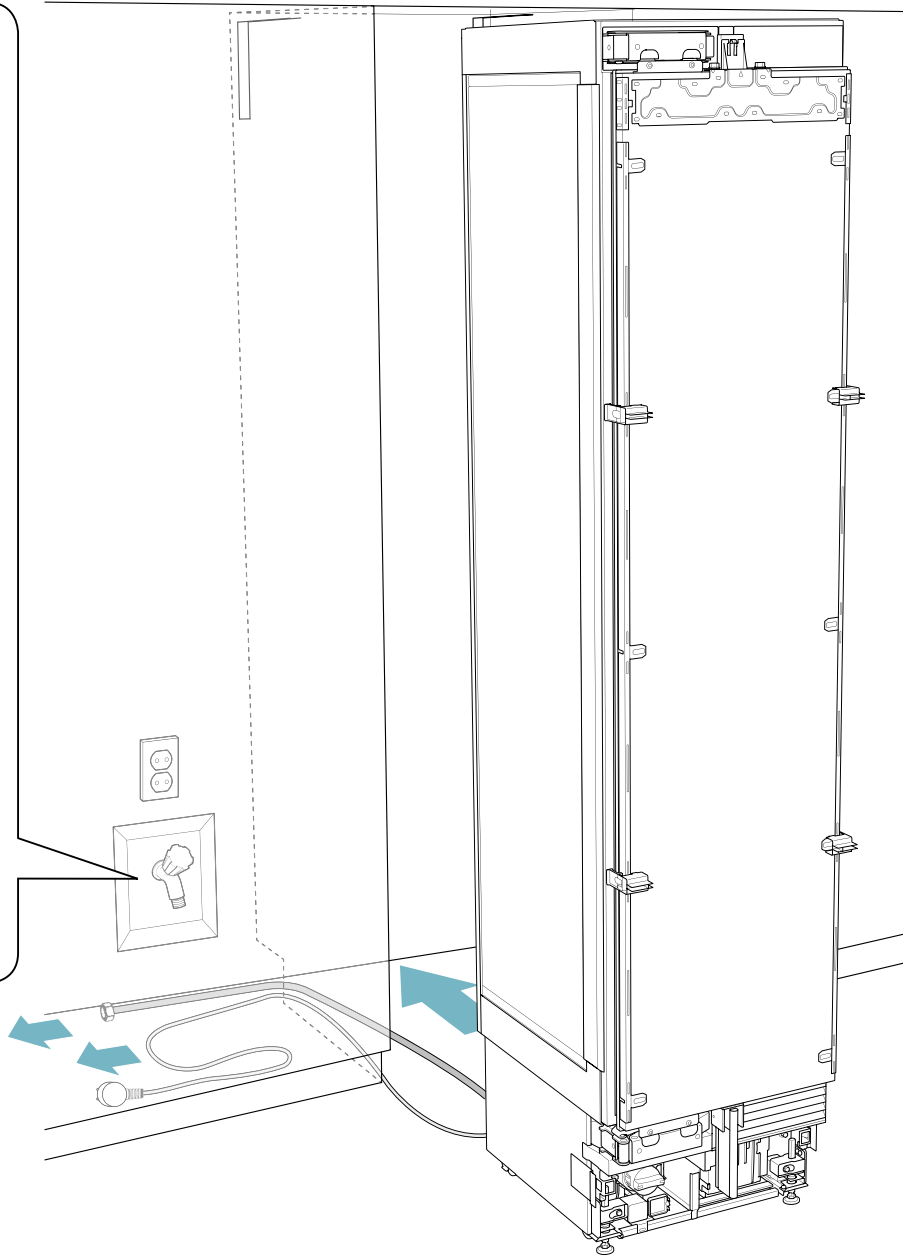
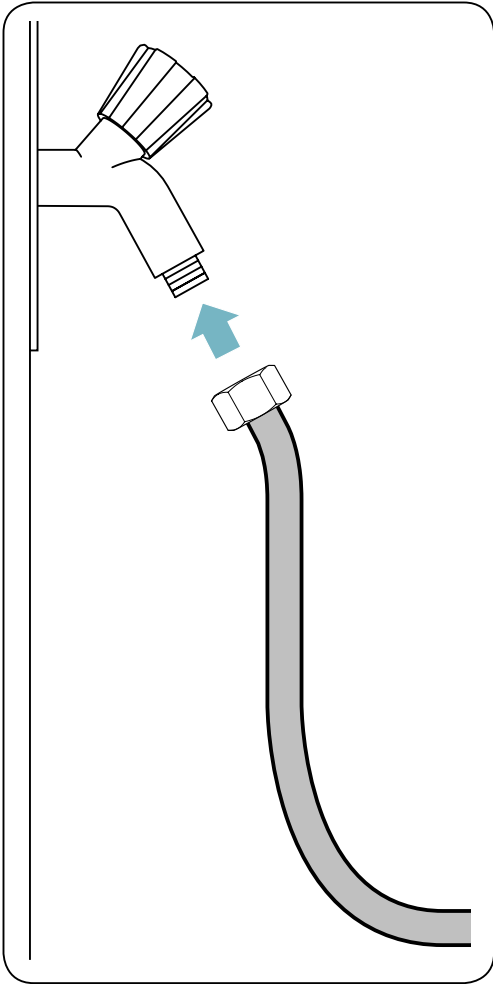


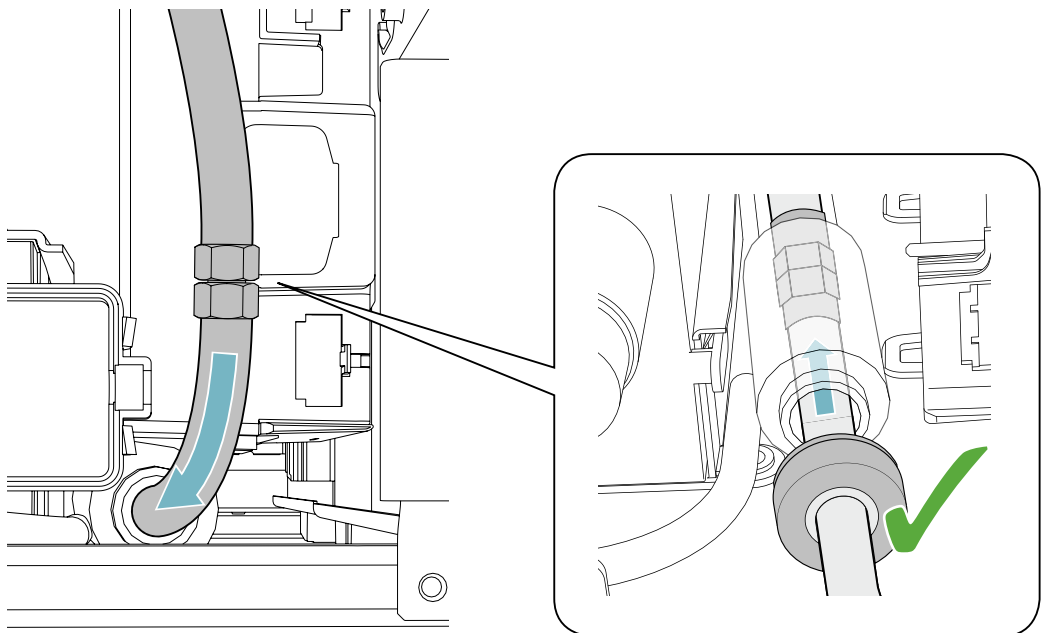
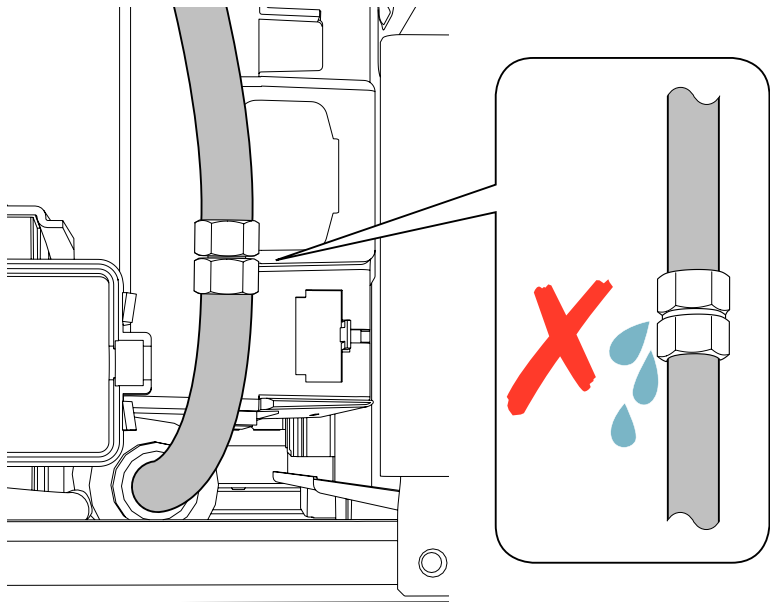
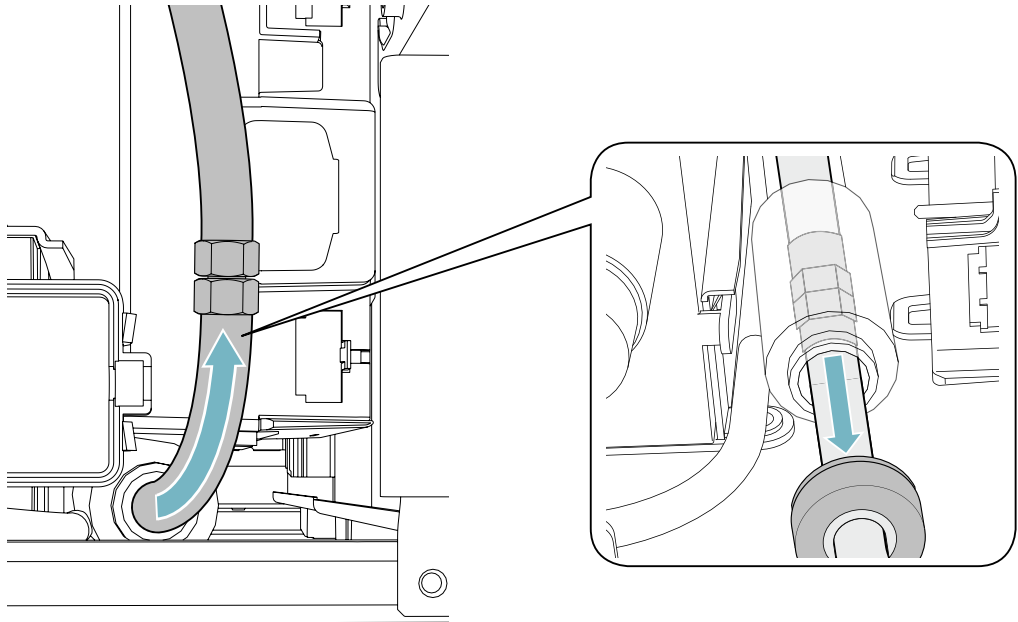
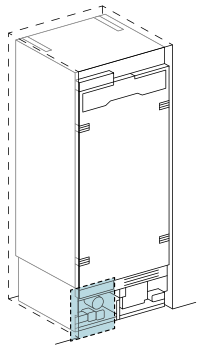


A
B
C
D

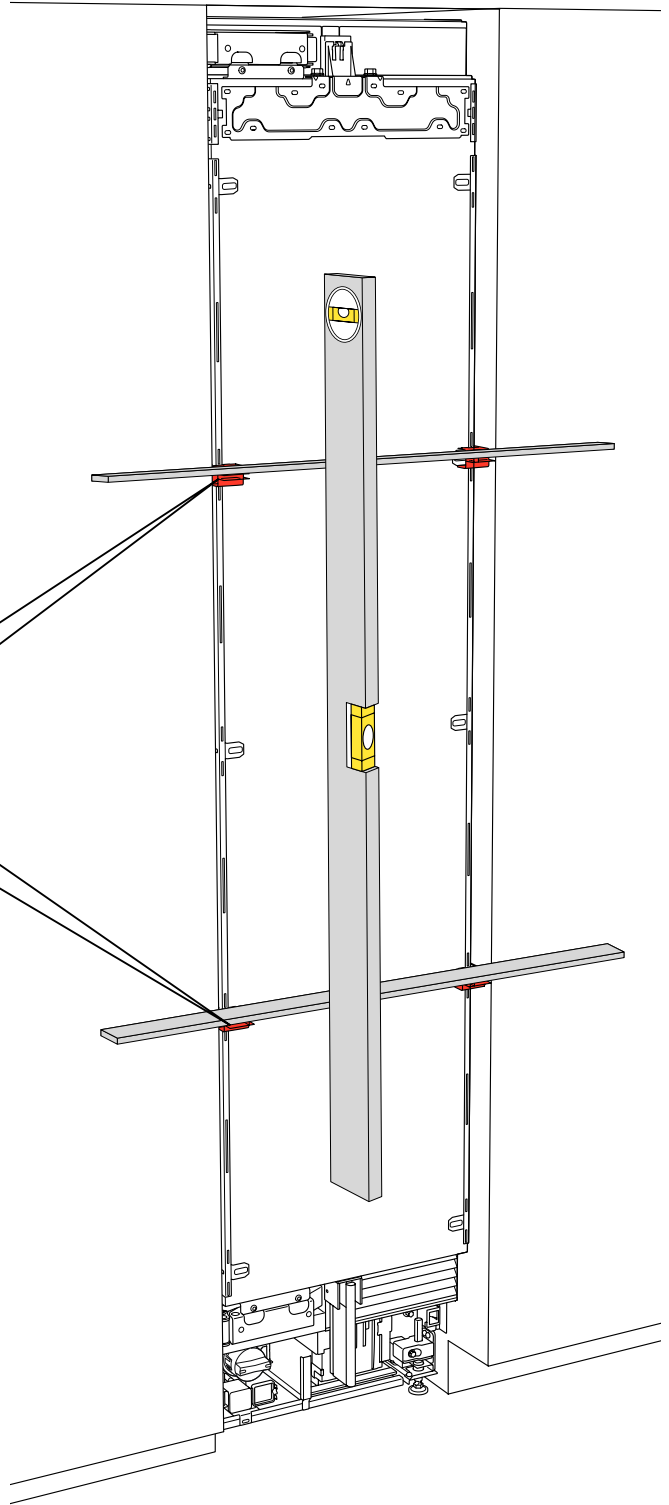
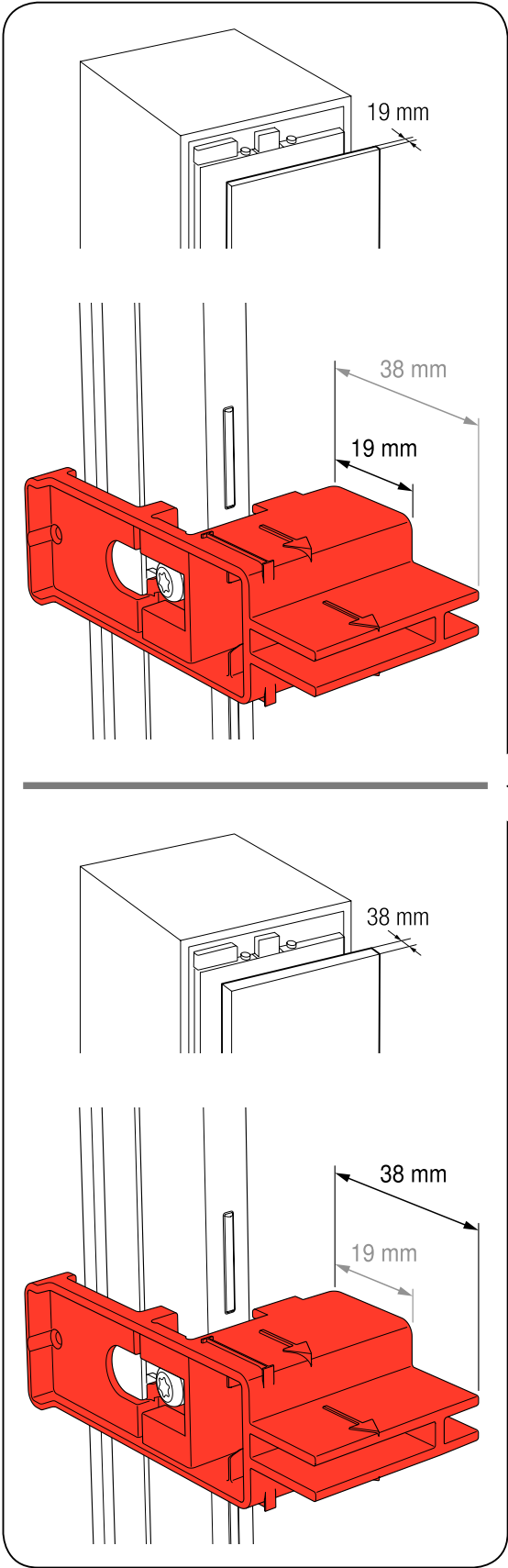


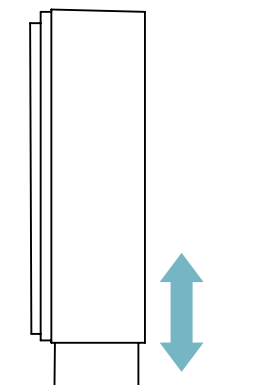
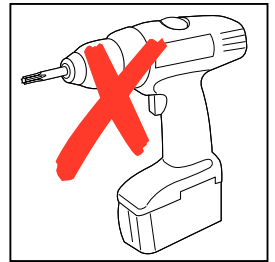
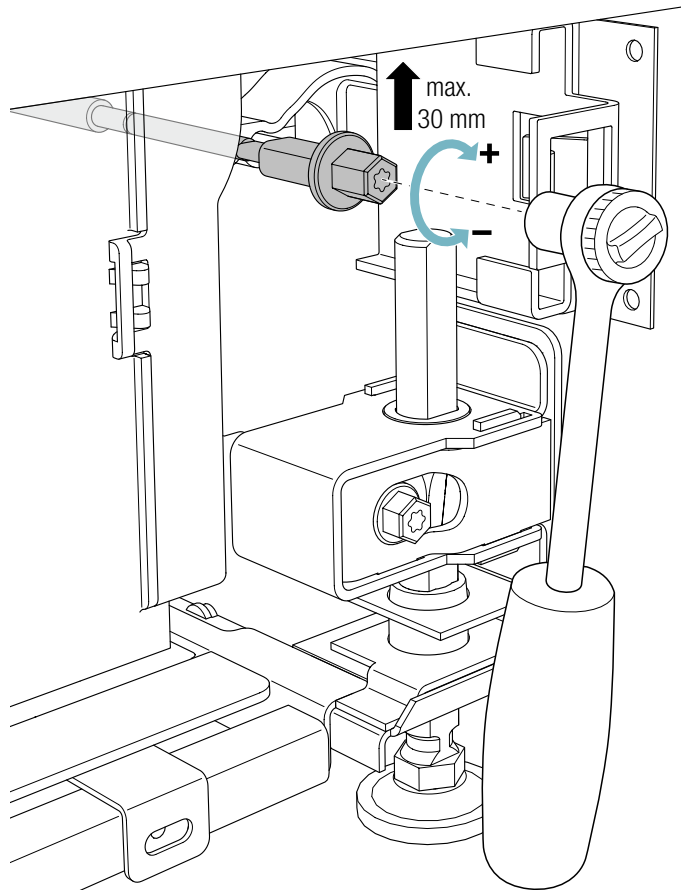
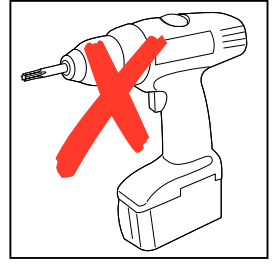
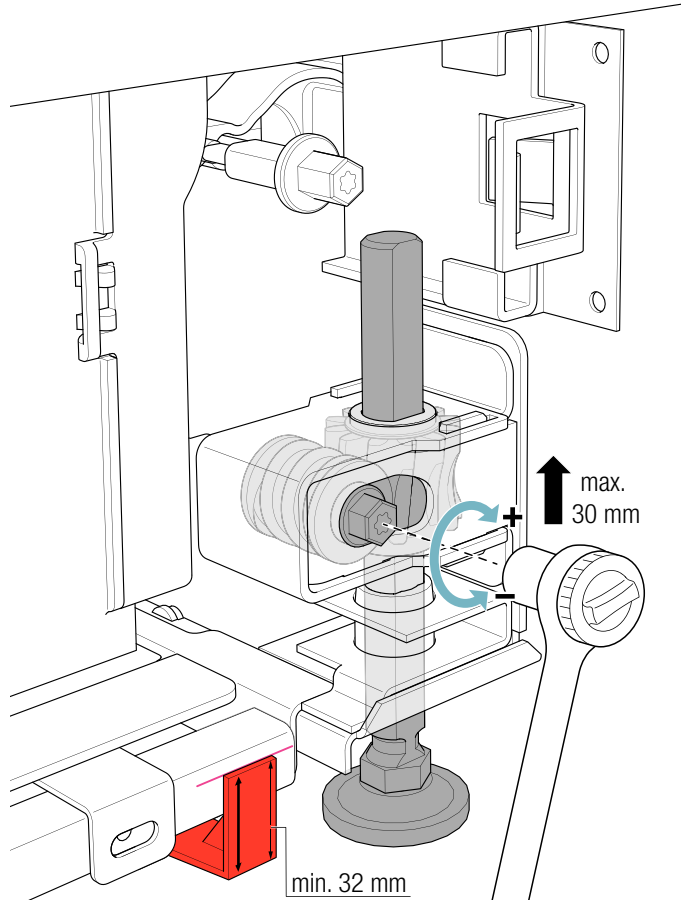
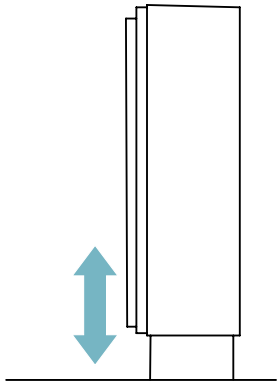
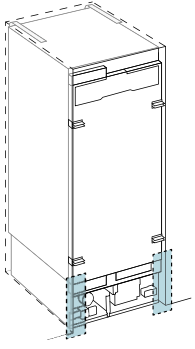
A
B
C
D




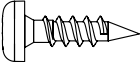


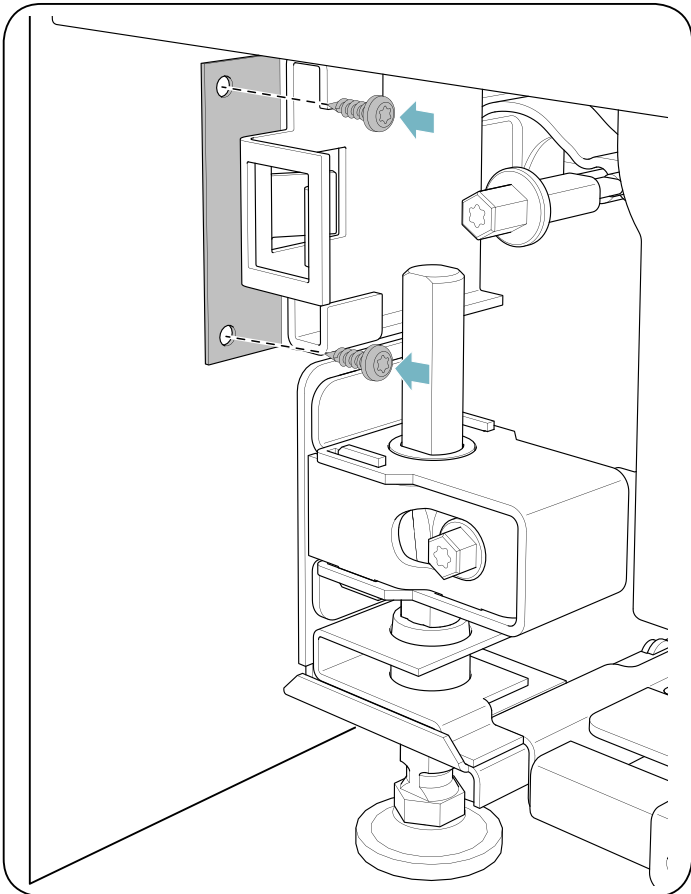
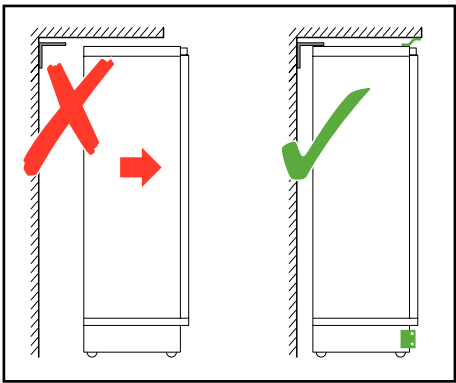
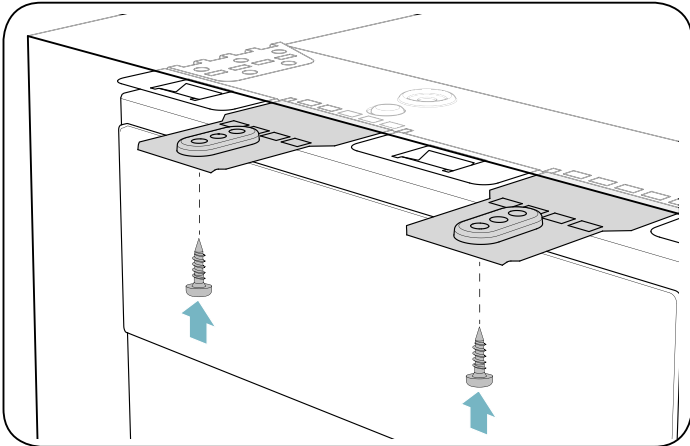
A
B
C
D

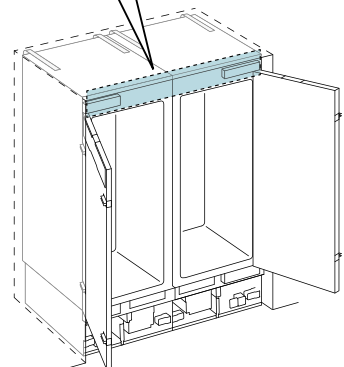
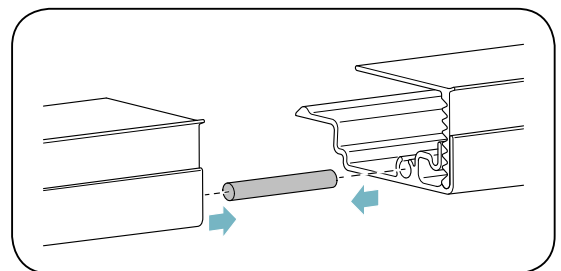
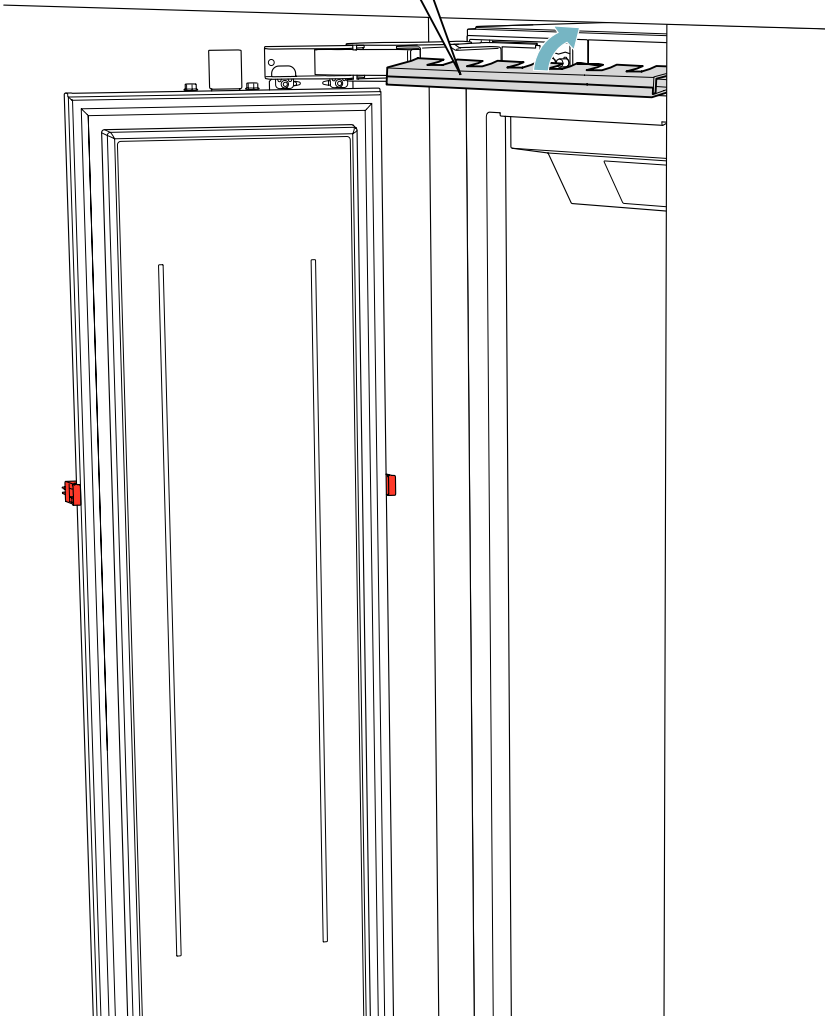
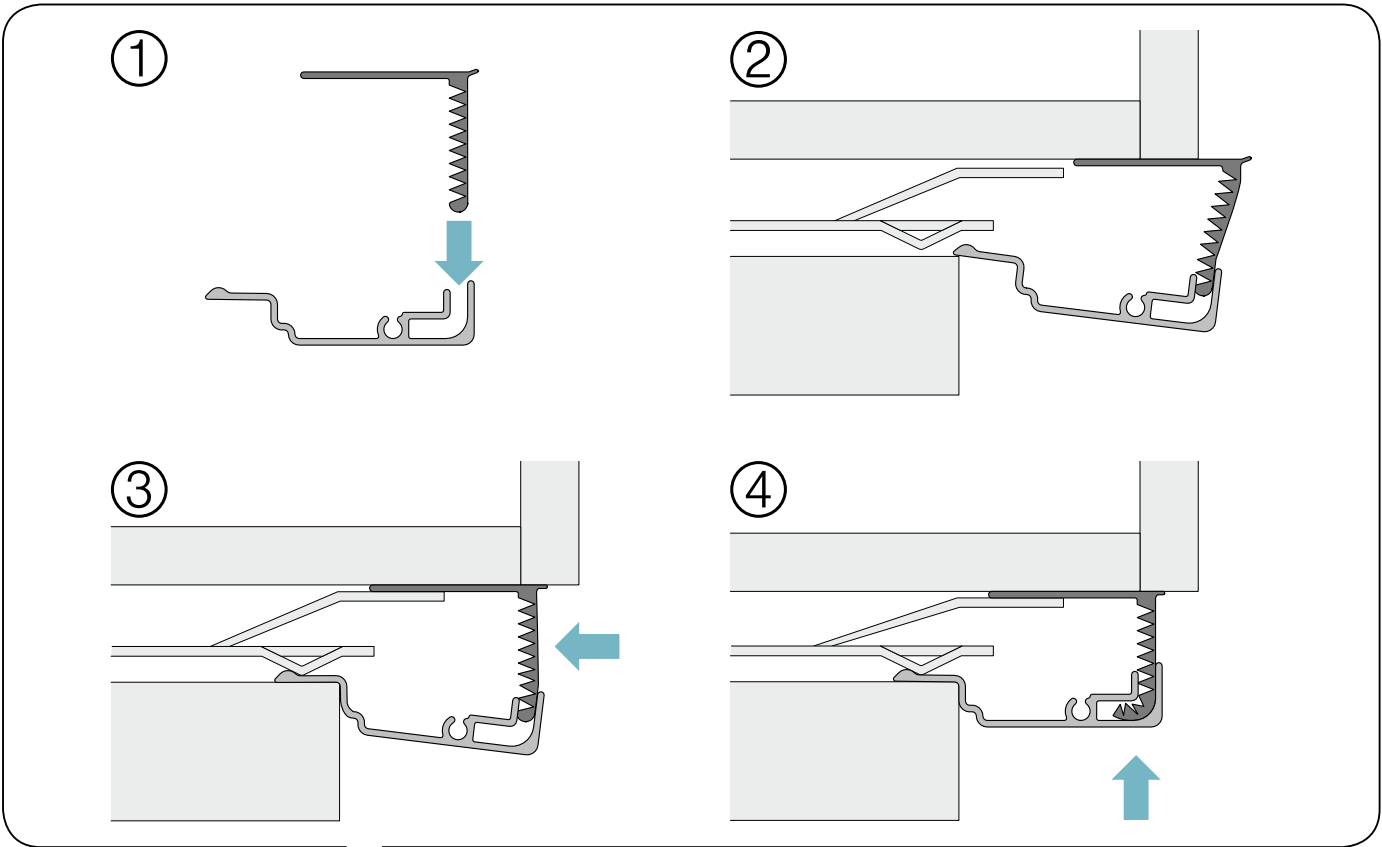




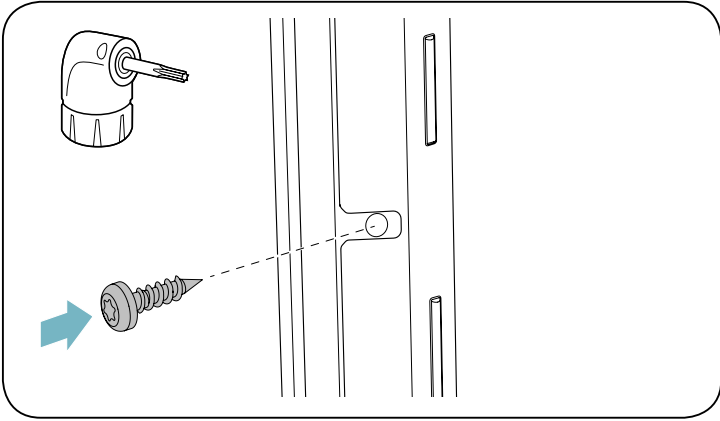
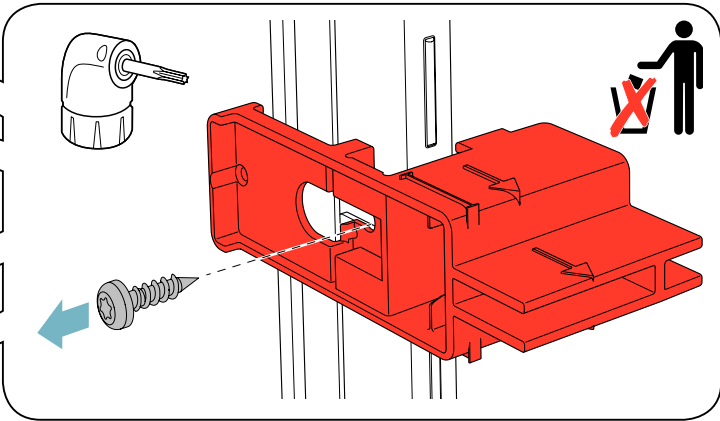
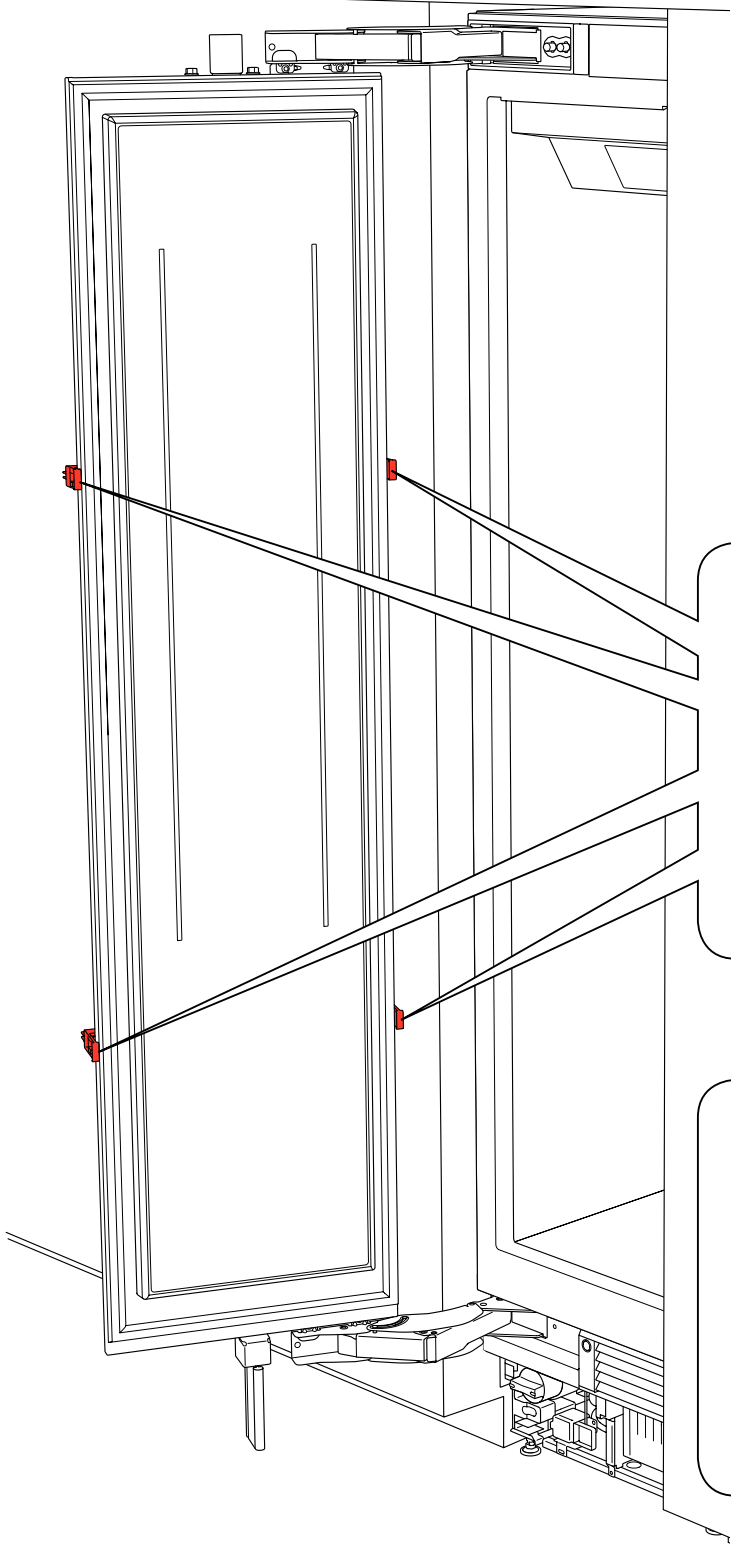
A
B
C
D

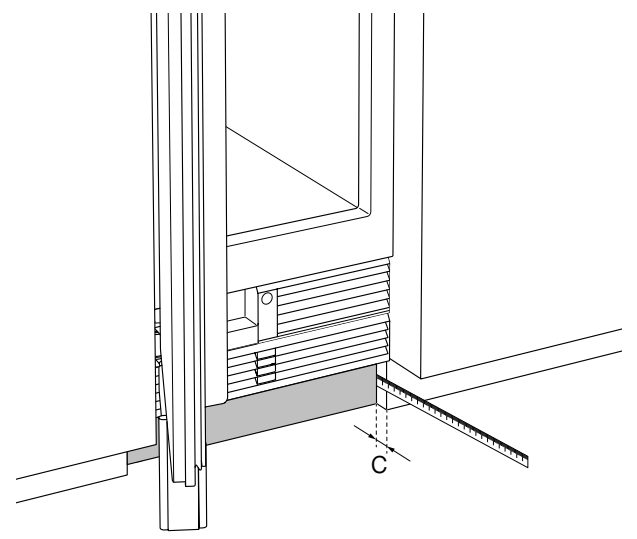
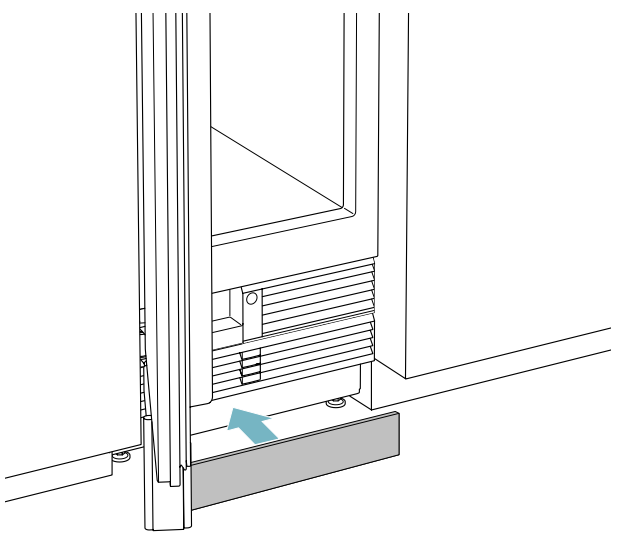
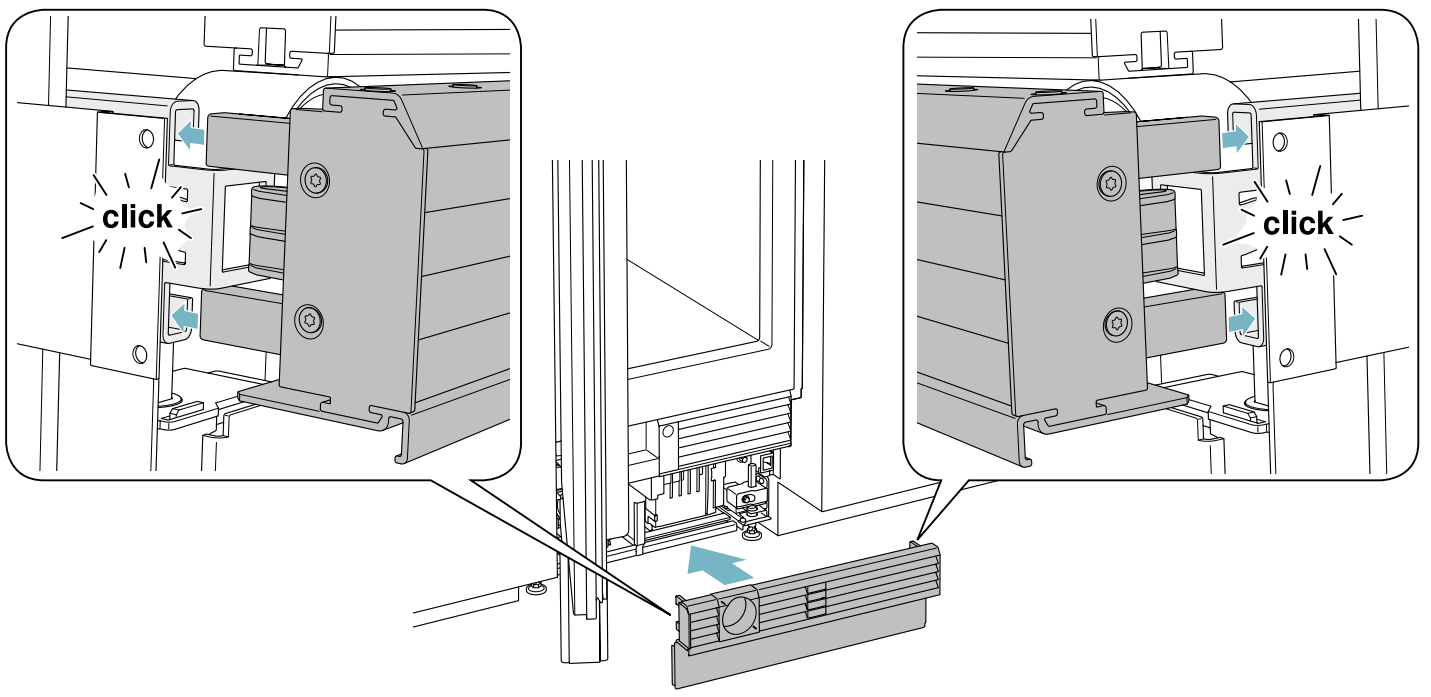
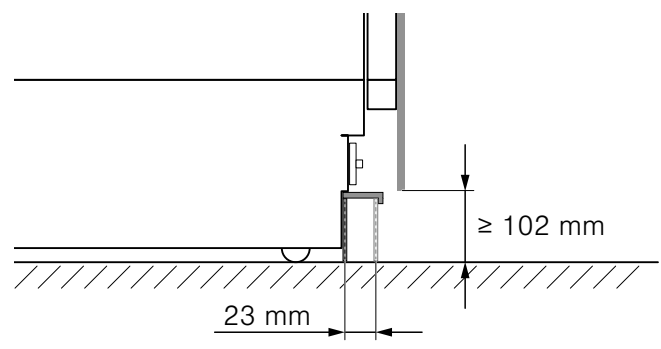
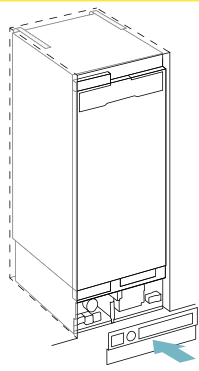
4x15   8x



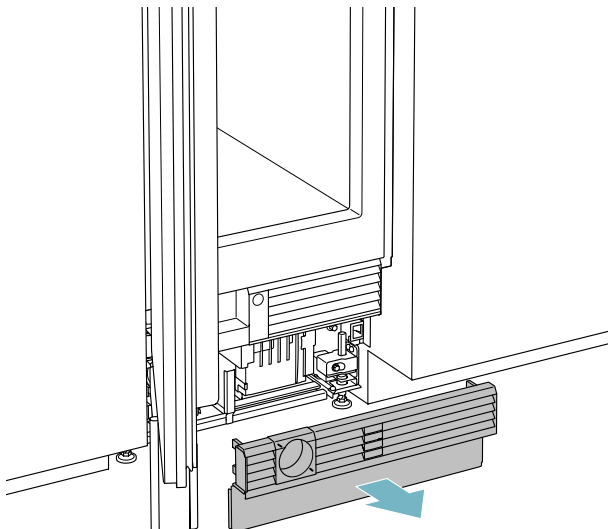
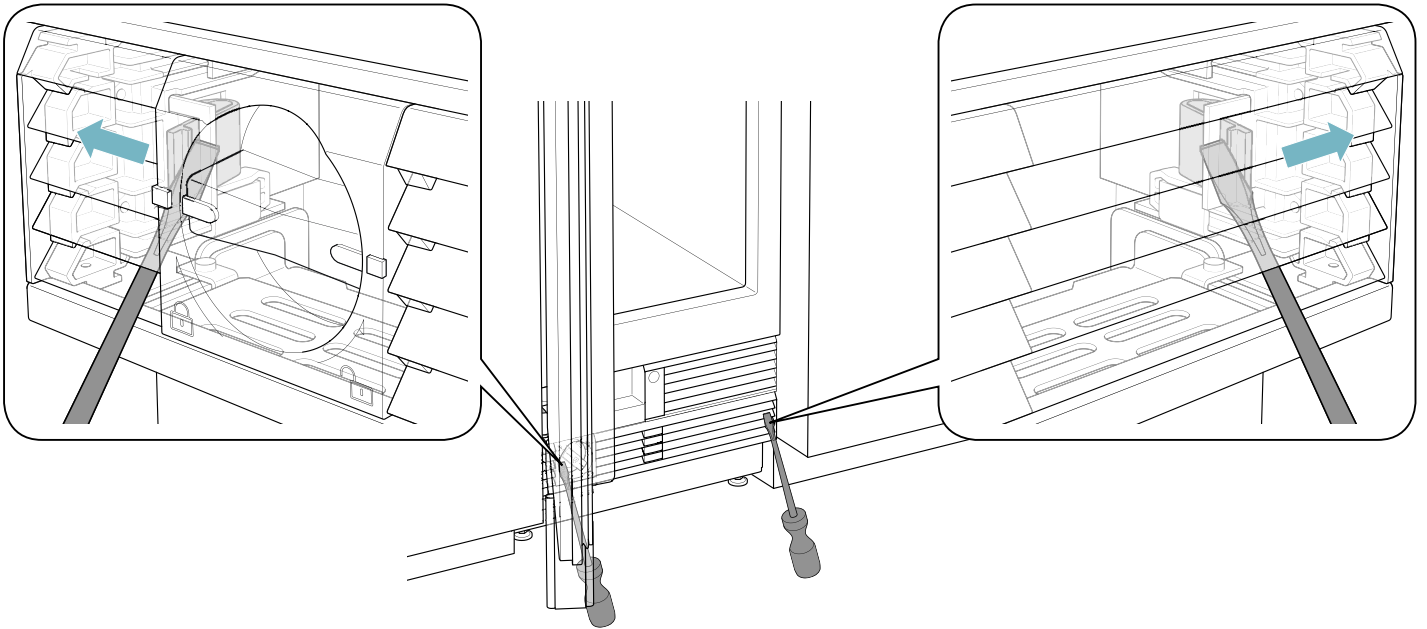
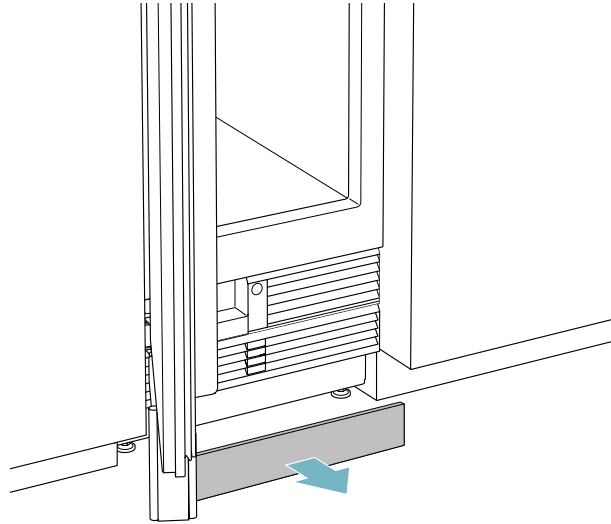


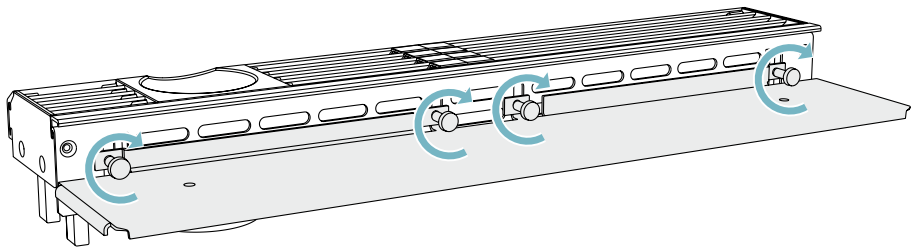
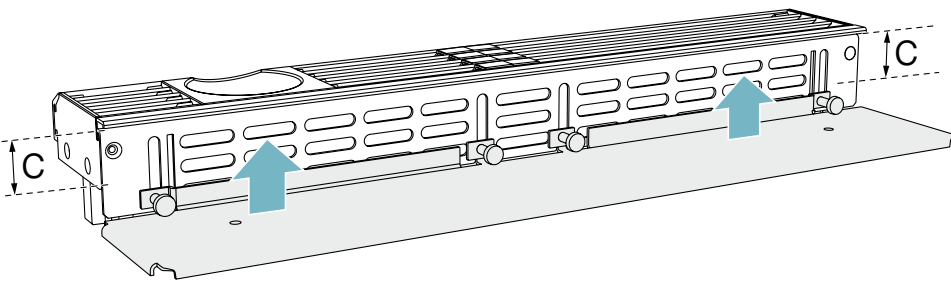
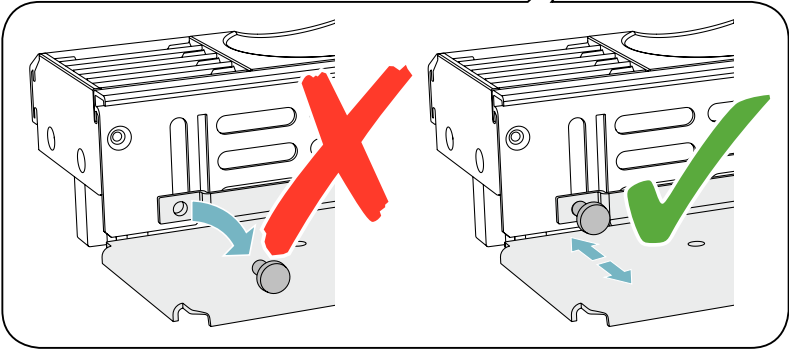
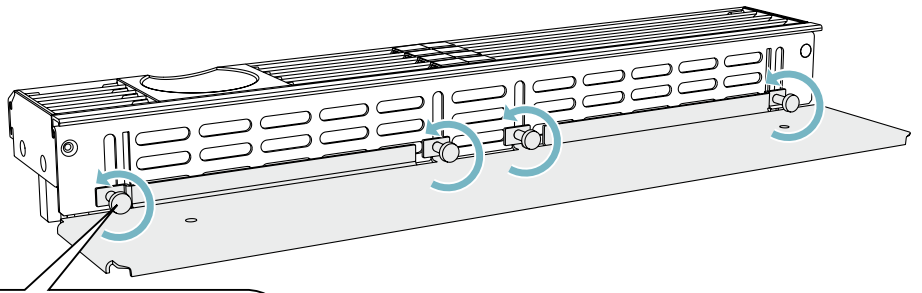
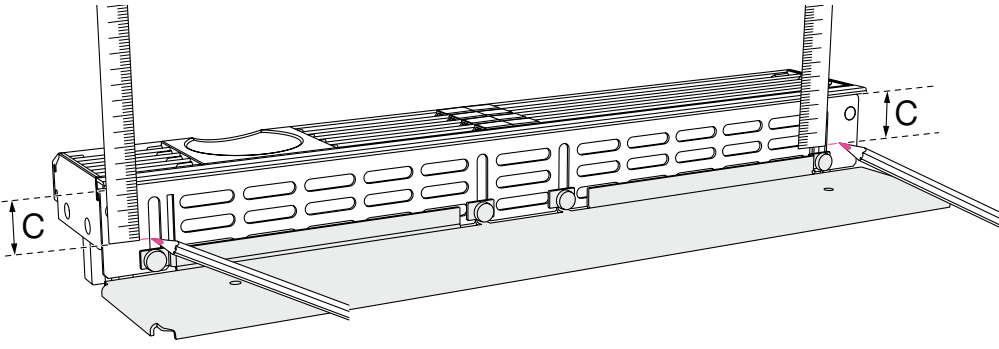
A
B
C
D



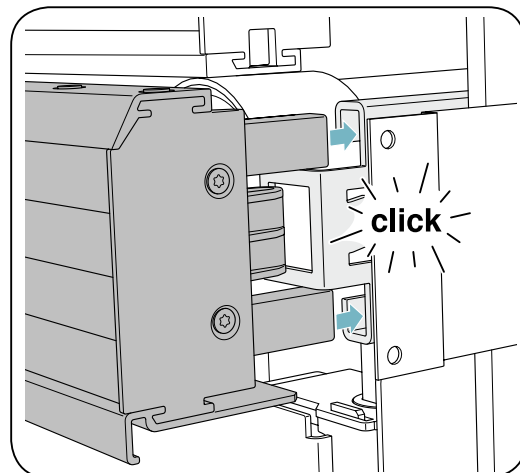
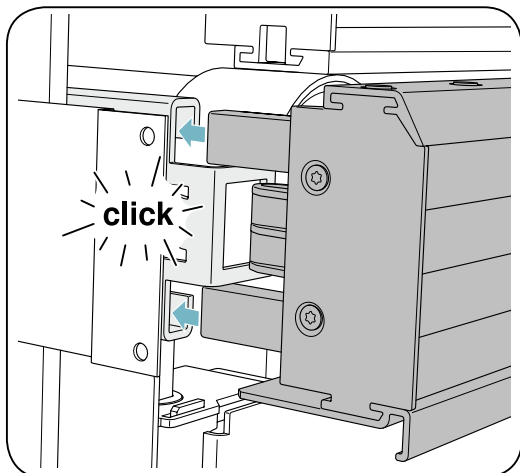
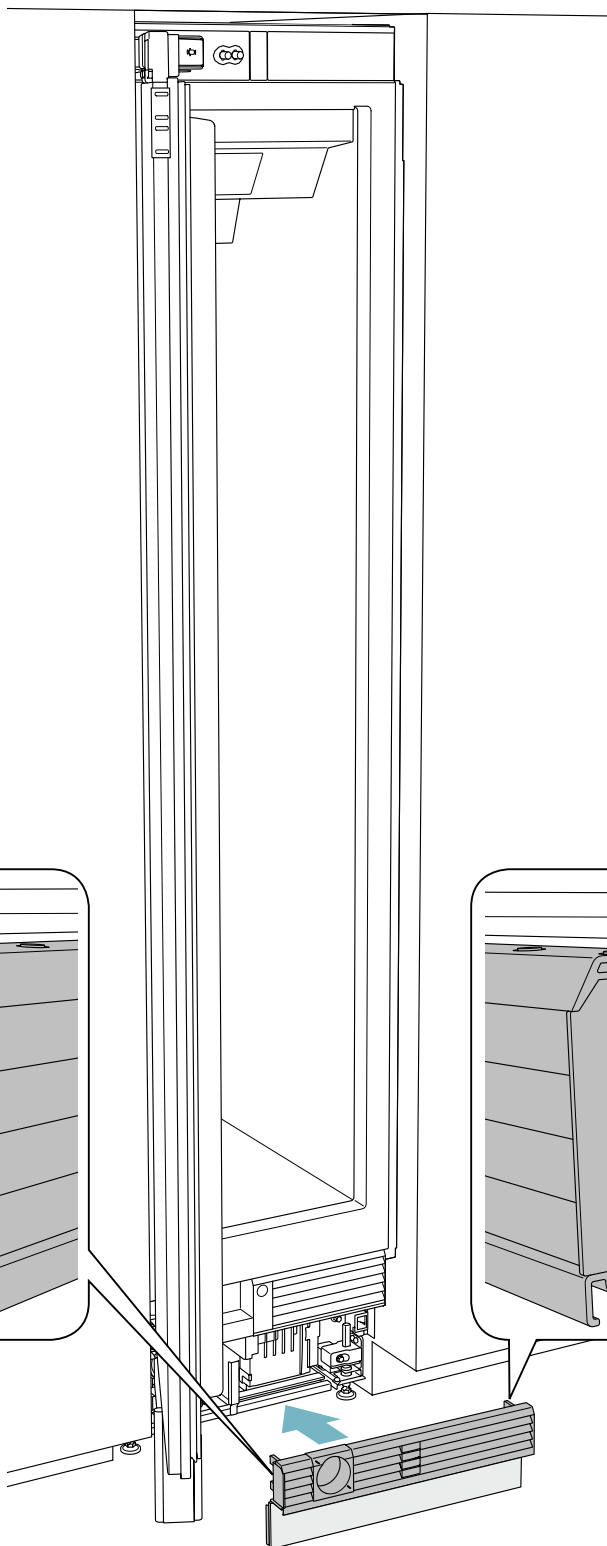
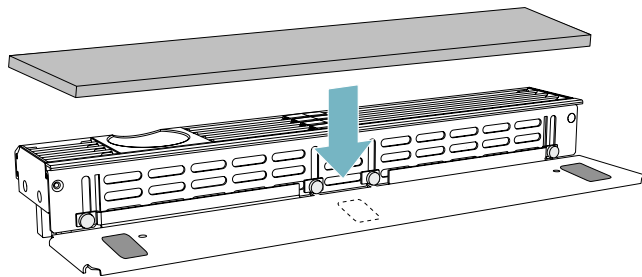
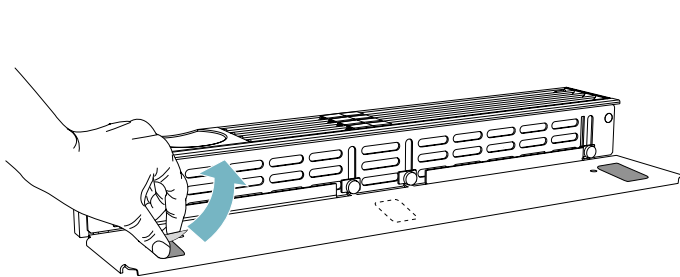


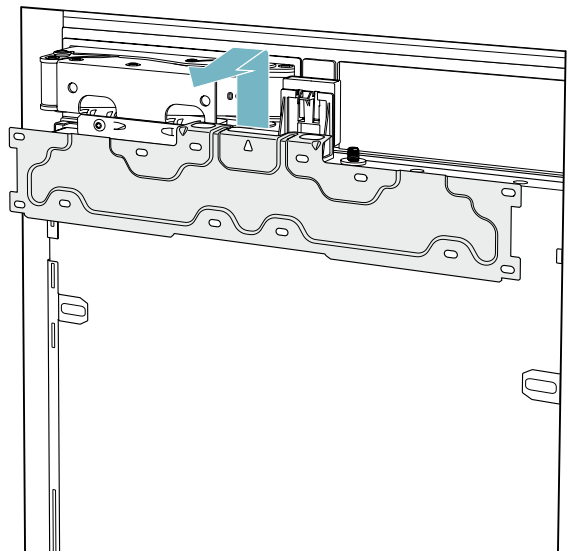
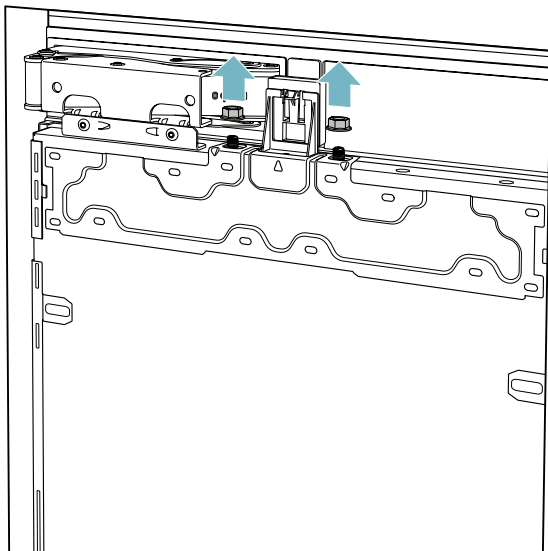
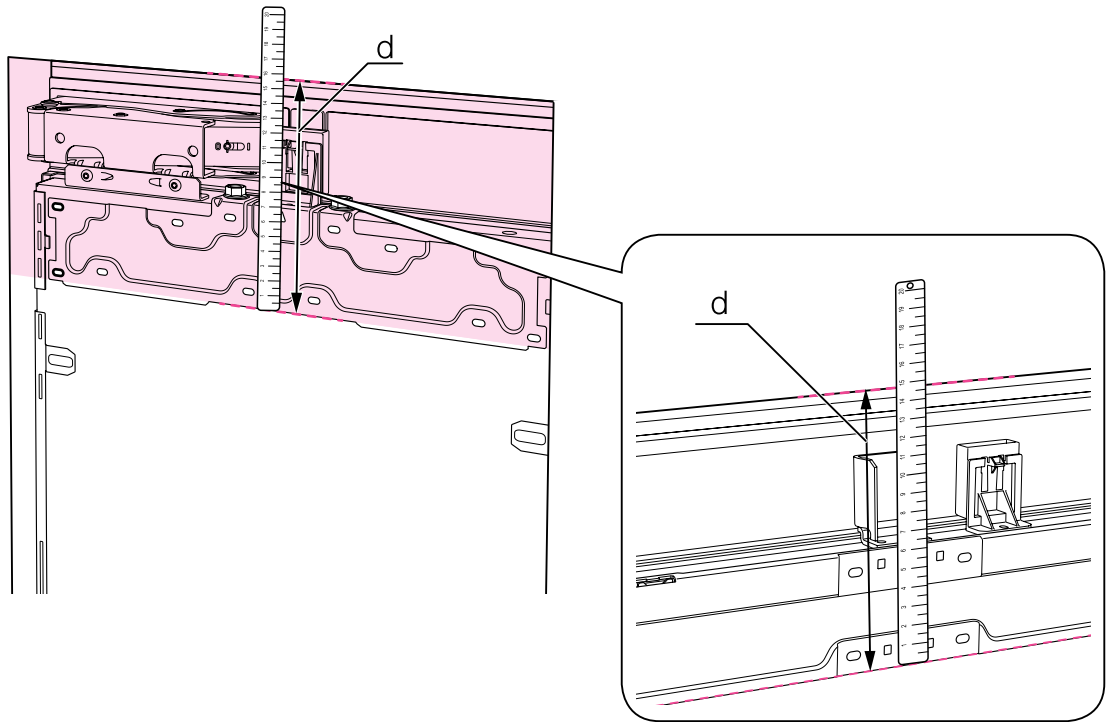
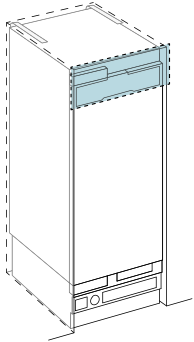
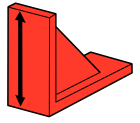
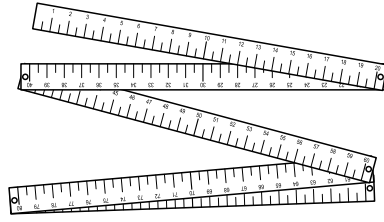
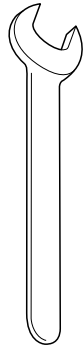
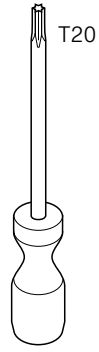
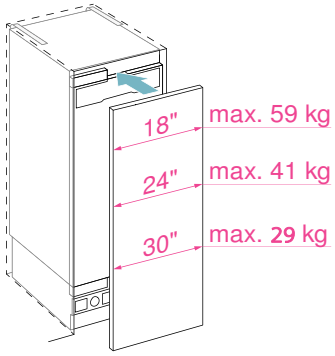
- A
- B
- C
- D



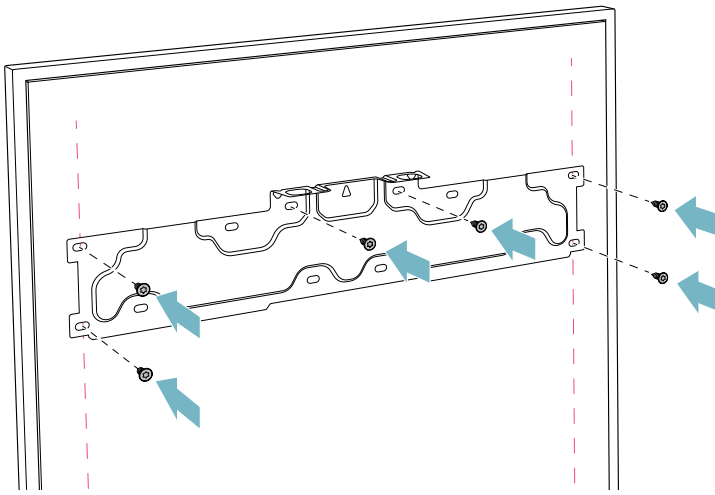
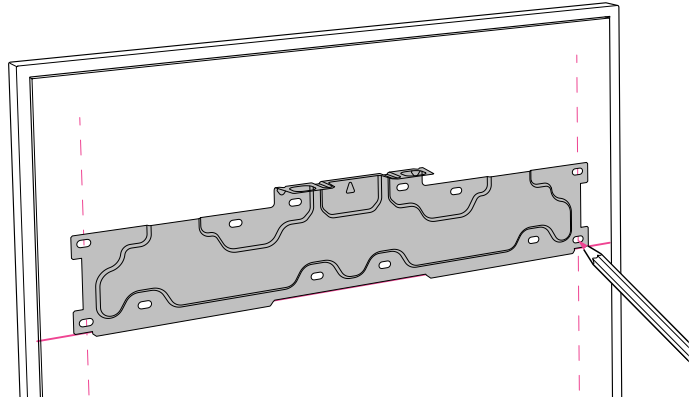
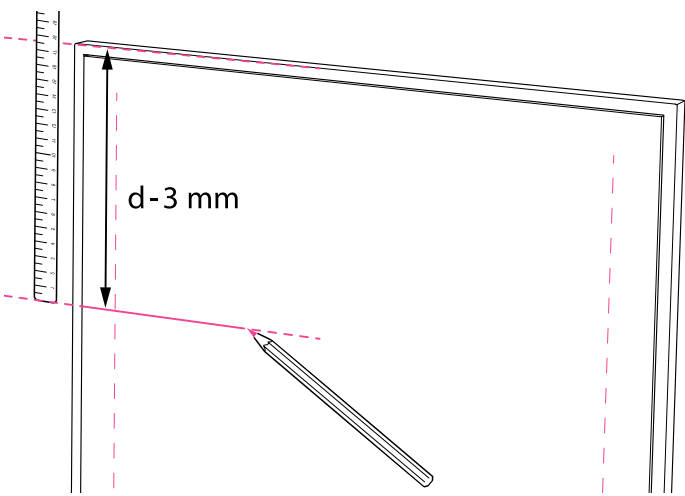
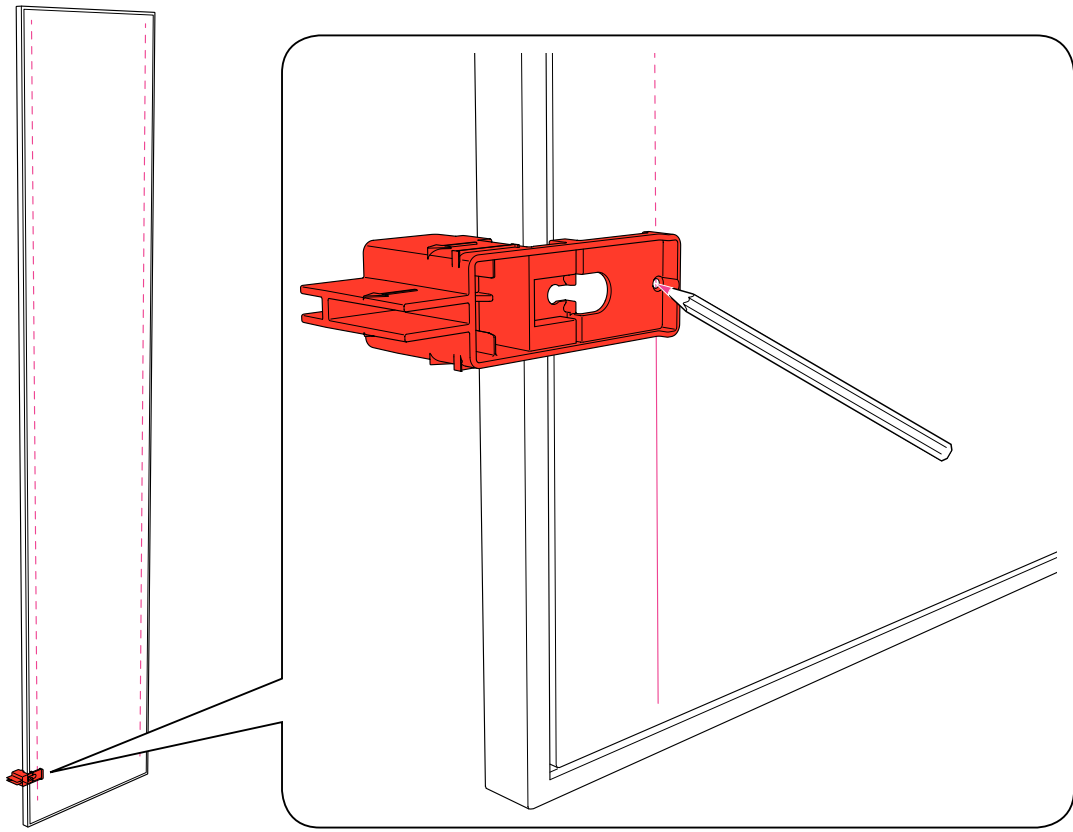



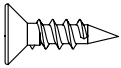
- A
- B
- C
- D

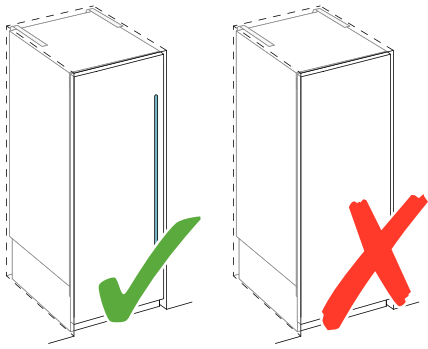



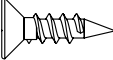


- A
- B
- C
- D

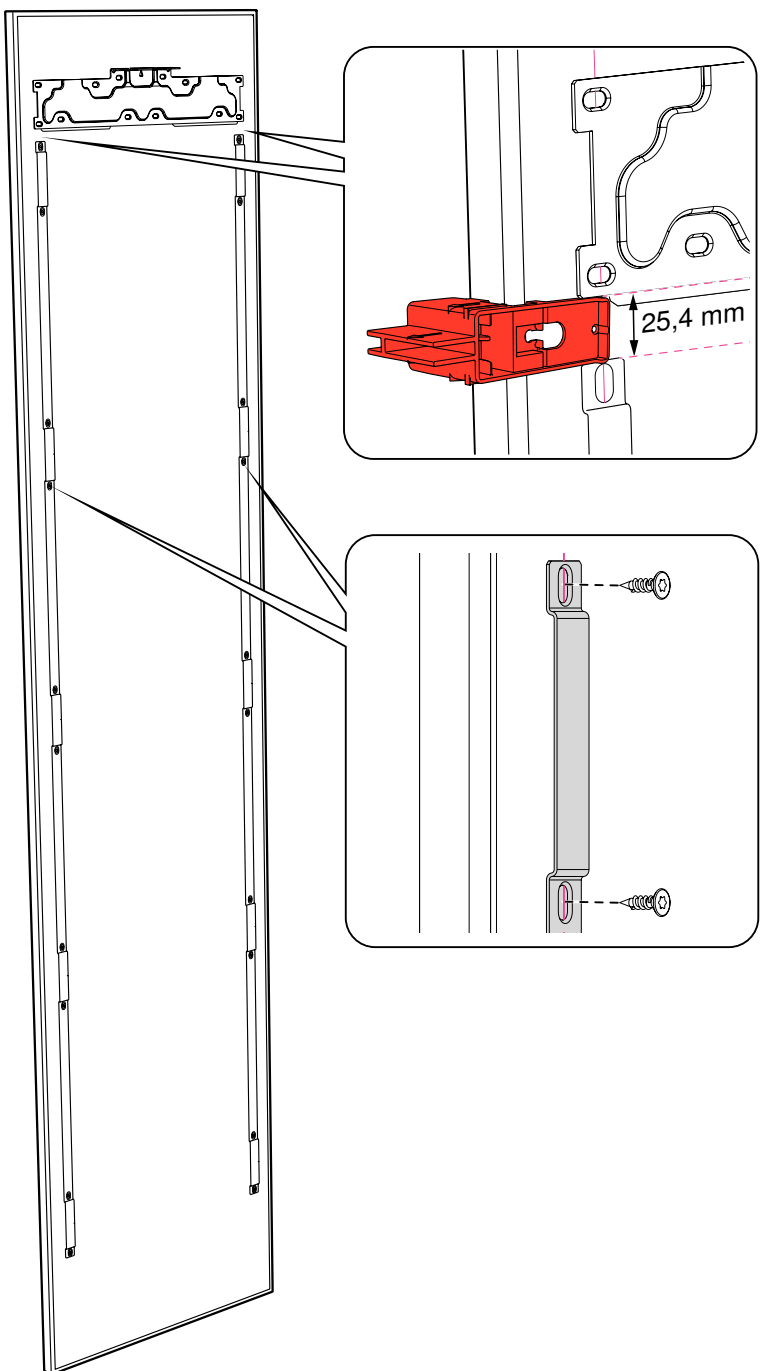
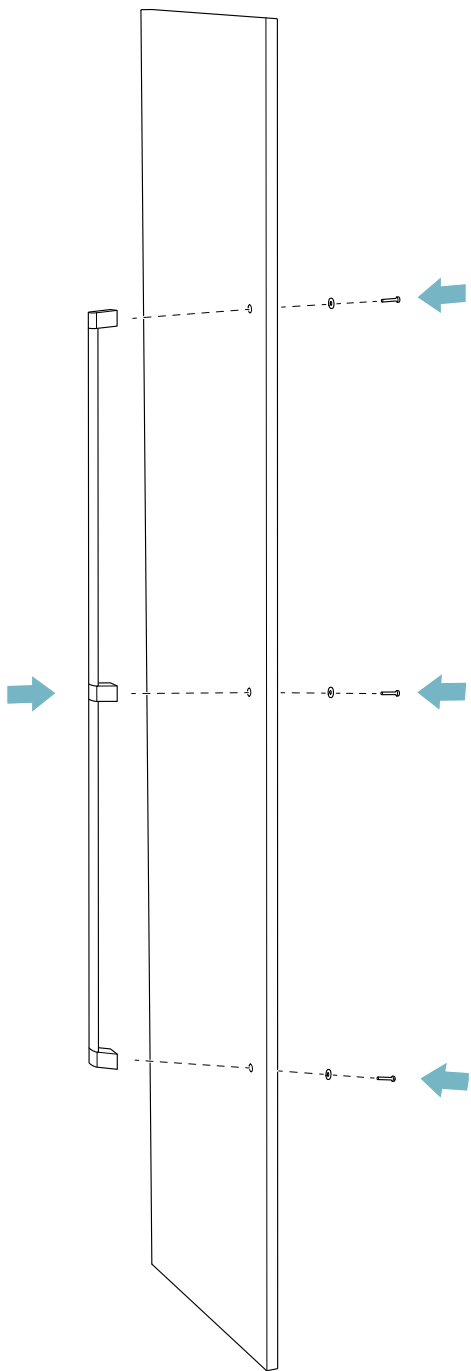


4x15	 	18" (457 mm) min. 6x
		24" (610 mm) min. 6x
		30" (762 mm) min. 10x

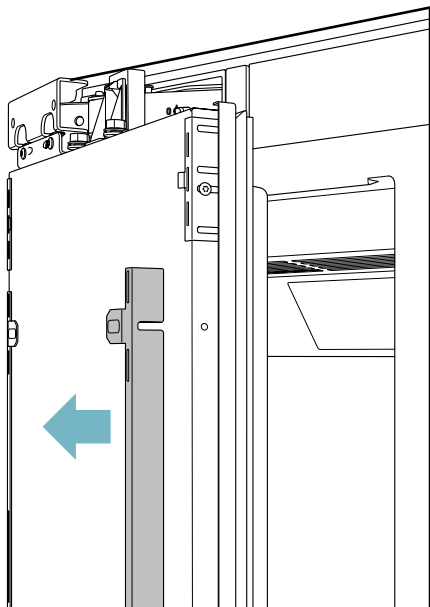
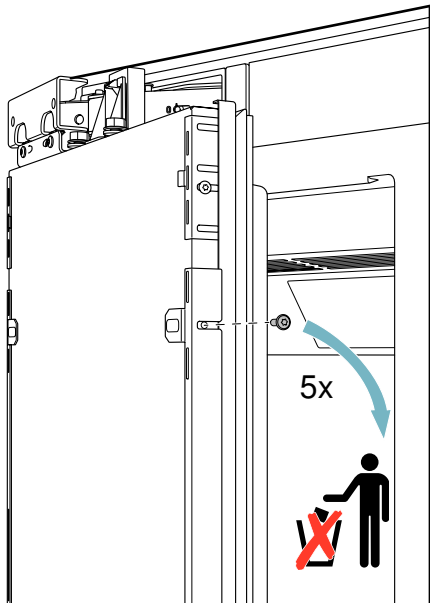
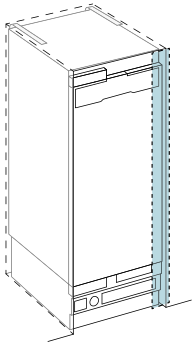


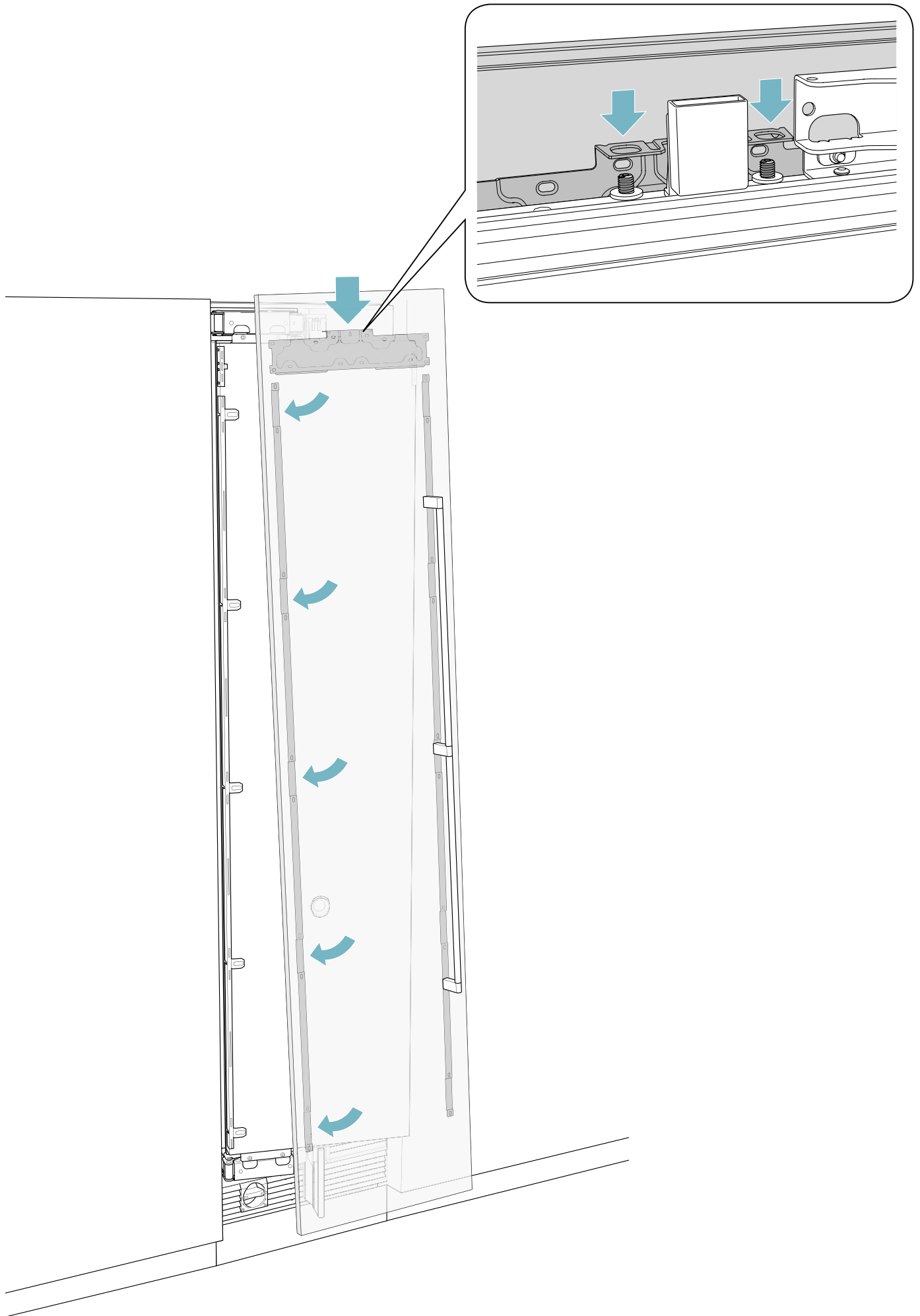
4x15   20x

- A
- B
- C
- D



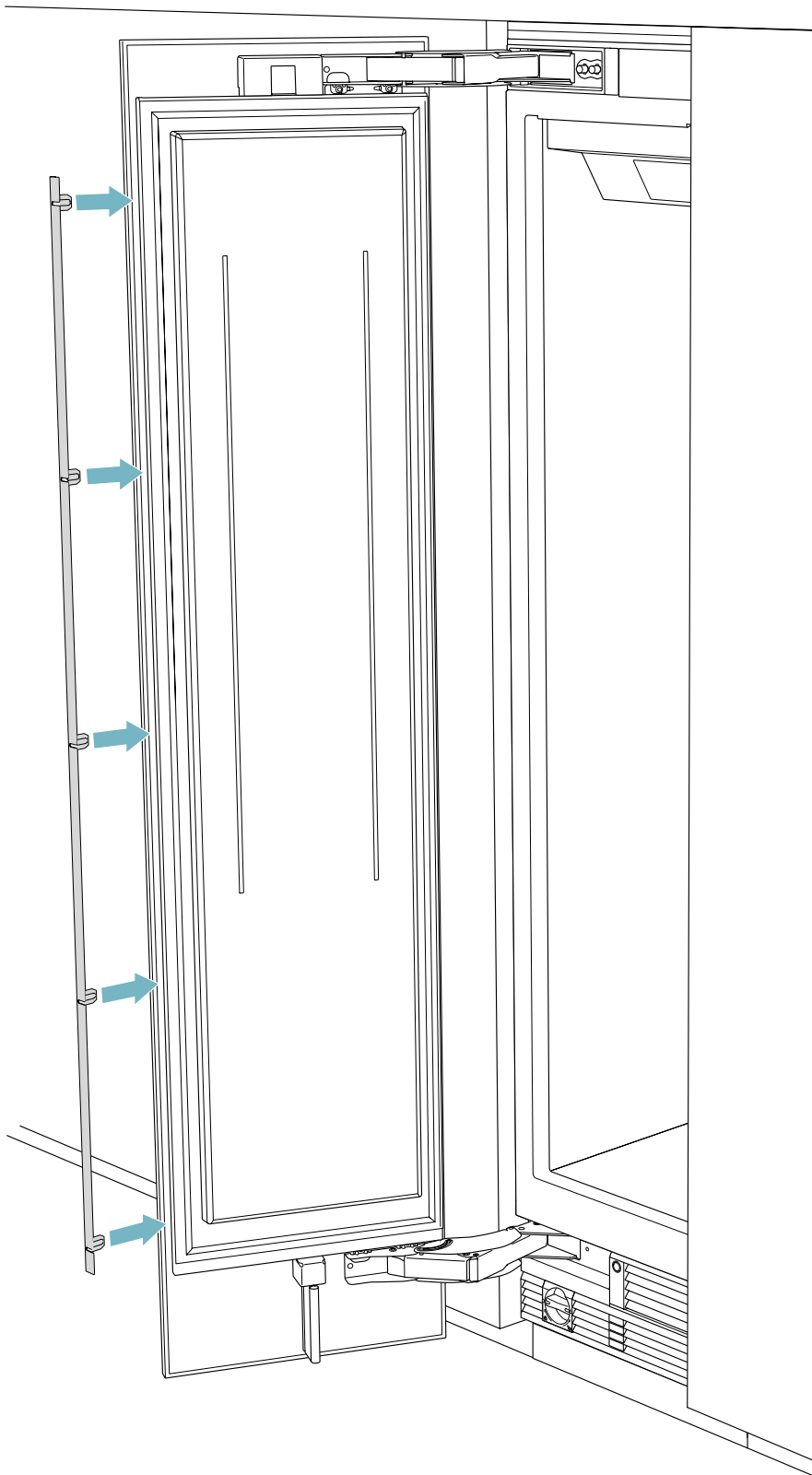
- A
- B
- C
- D

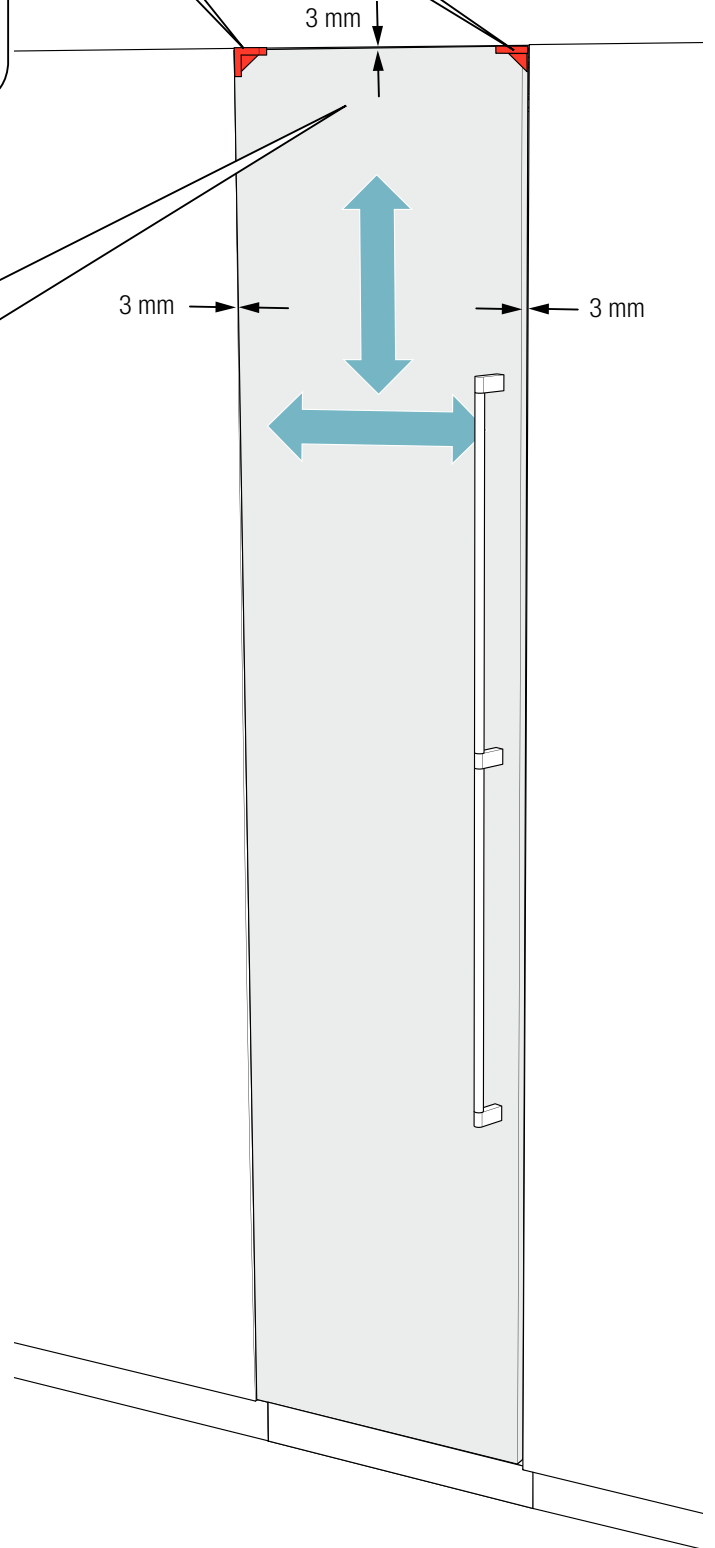
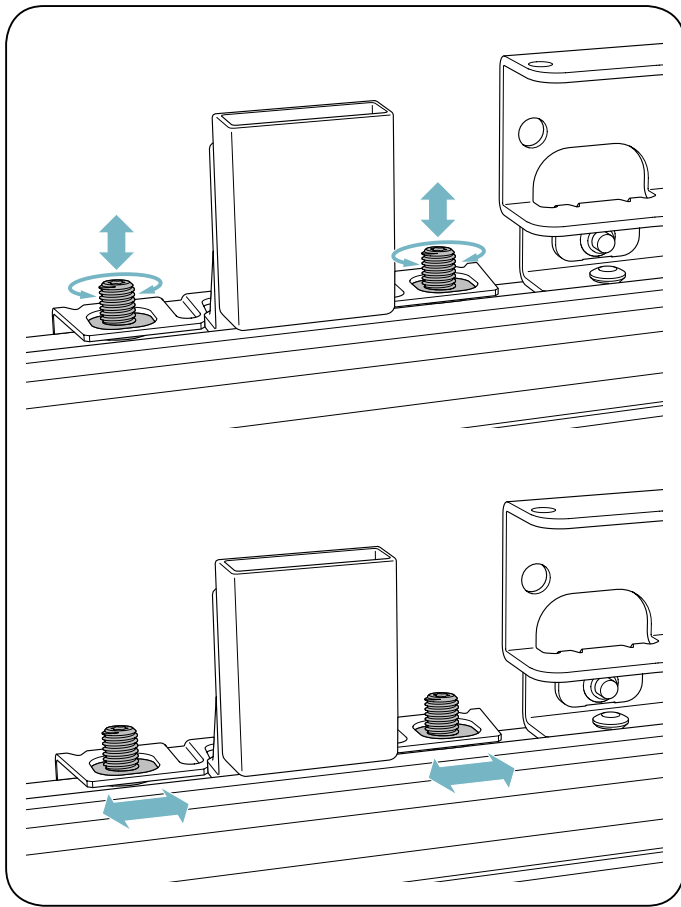
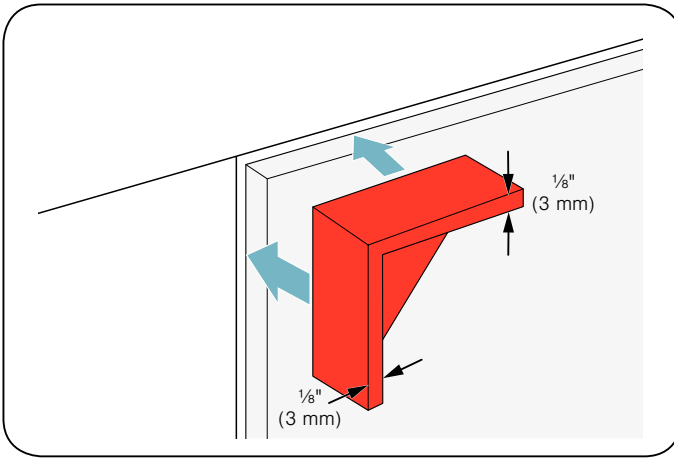




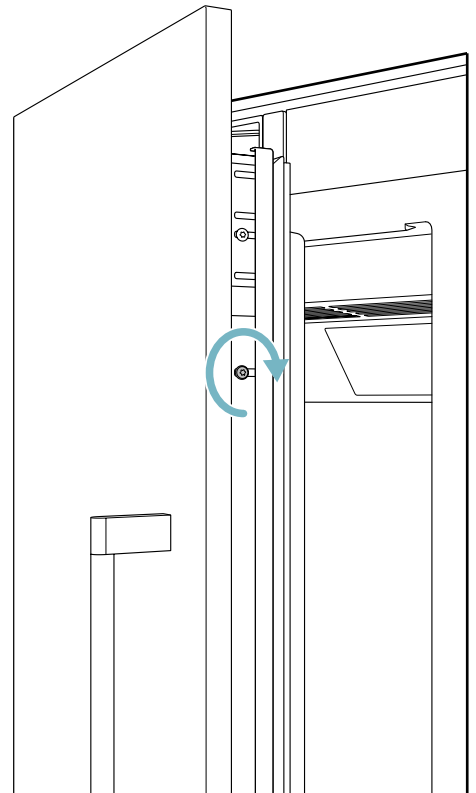
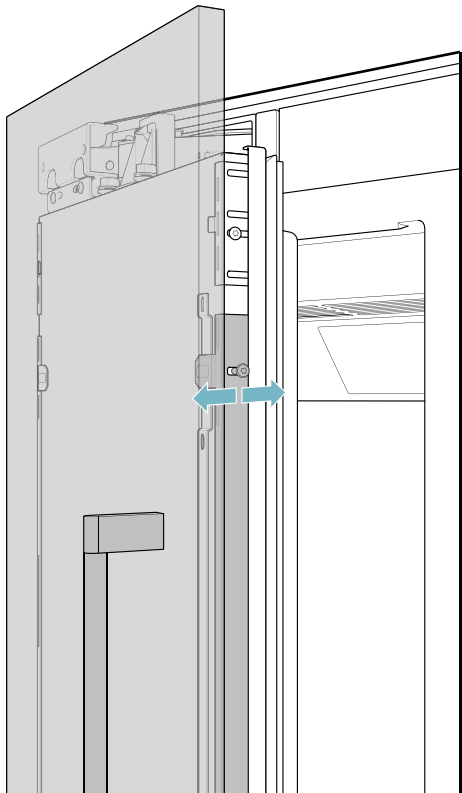
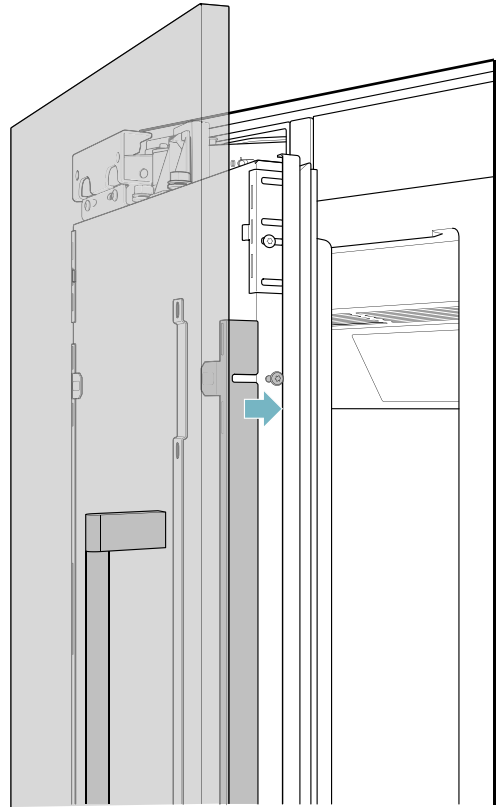
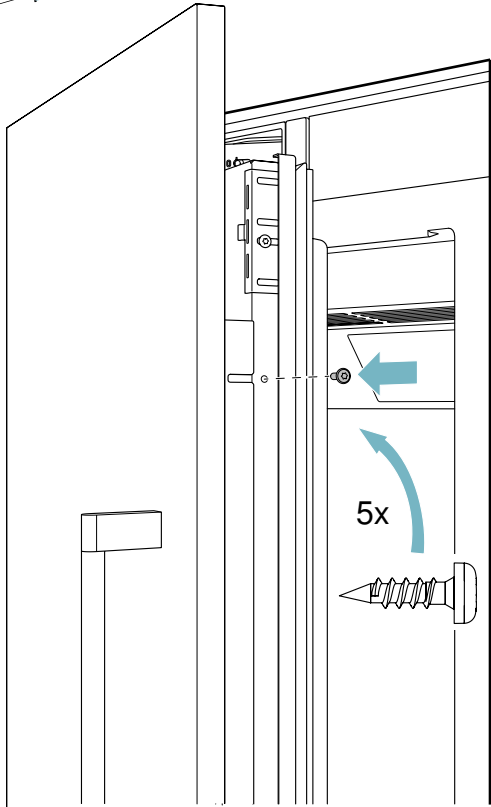
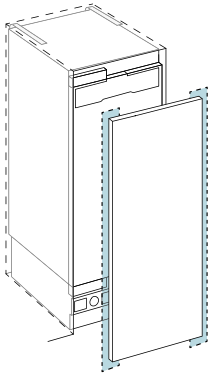
- A
- B
- C
- D

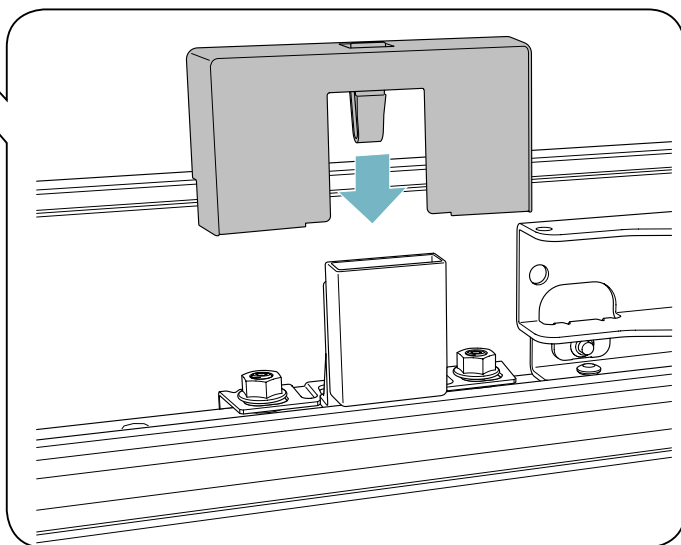
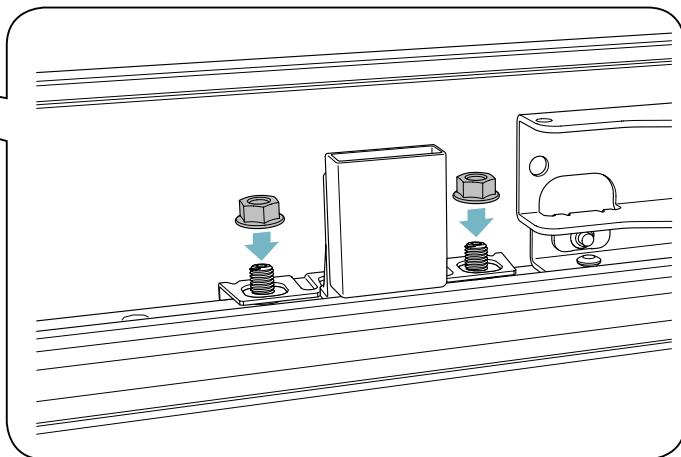
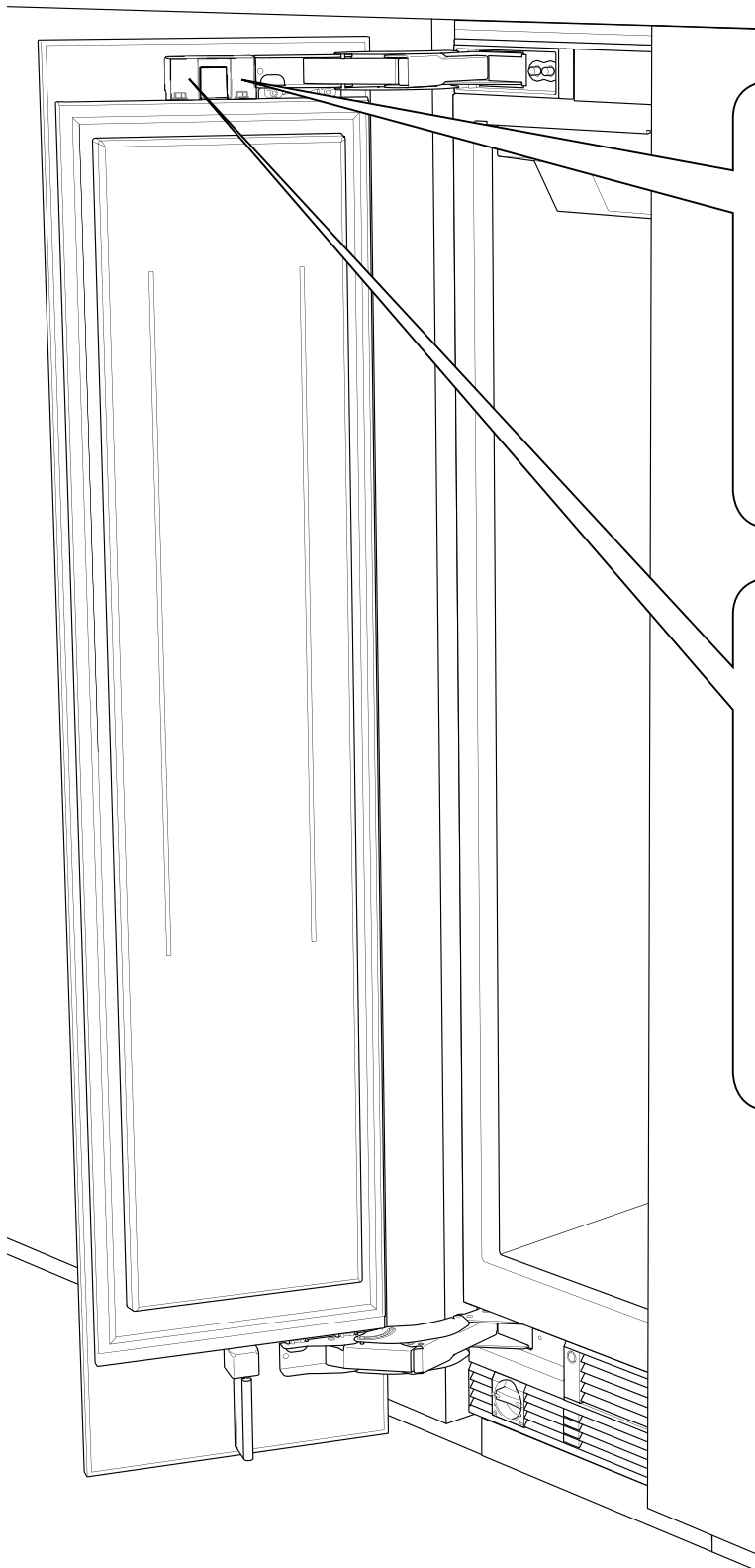
- A
- B
- C
- D



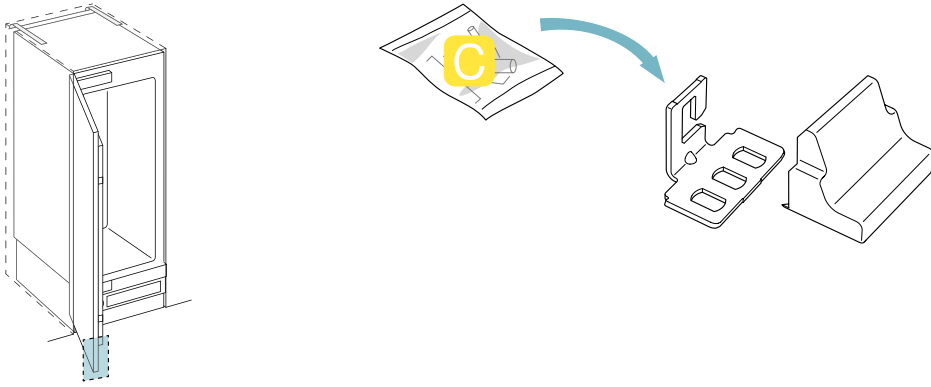


- A
- B
- C
- D

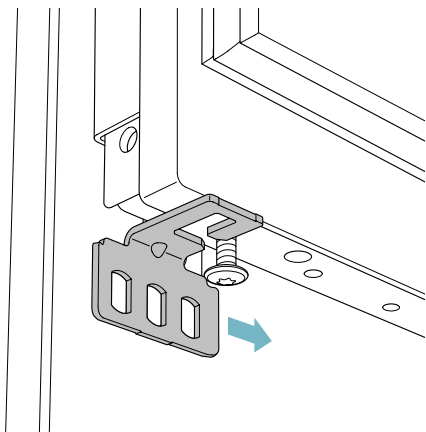




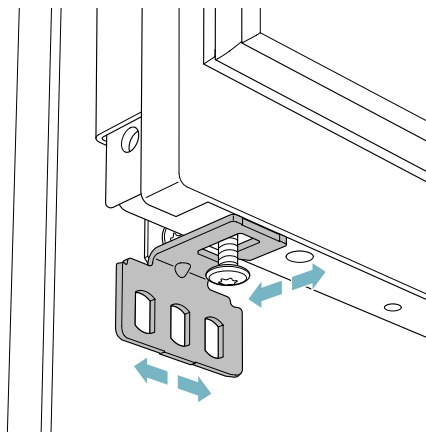
- A
- B
- C
- D



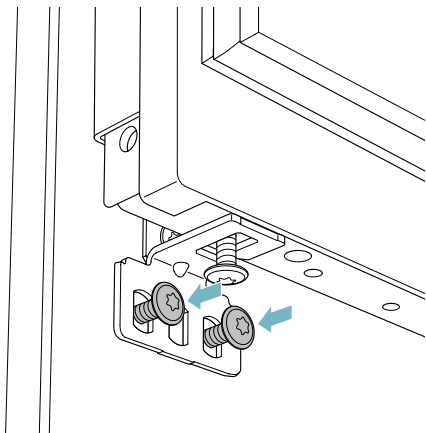
①



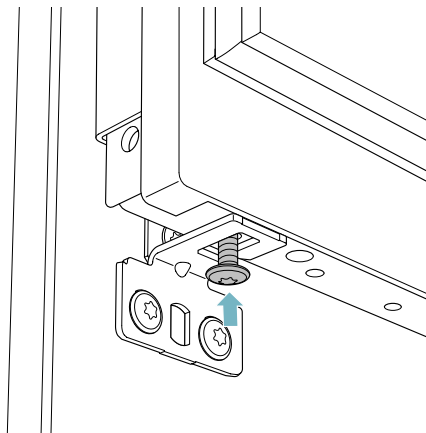
②



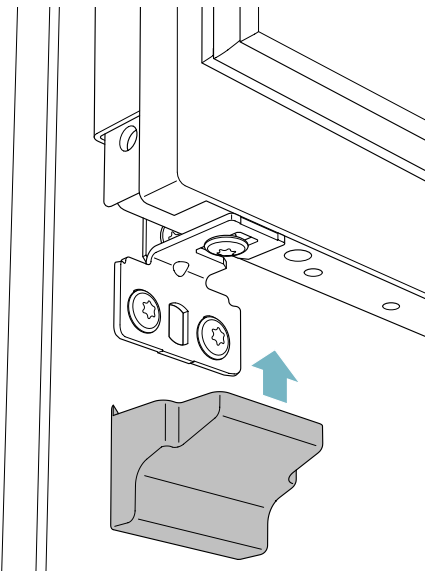
③



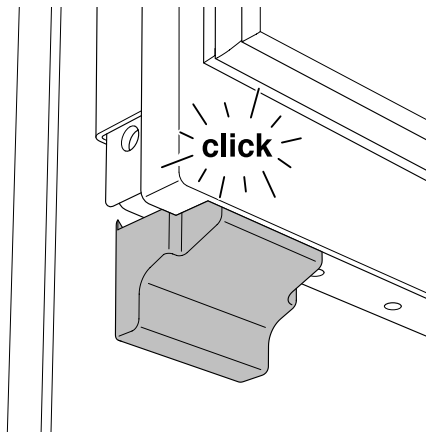
④

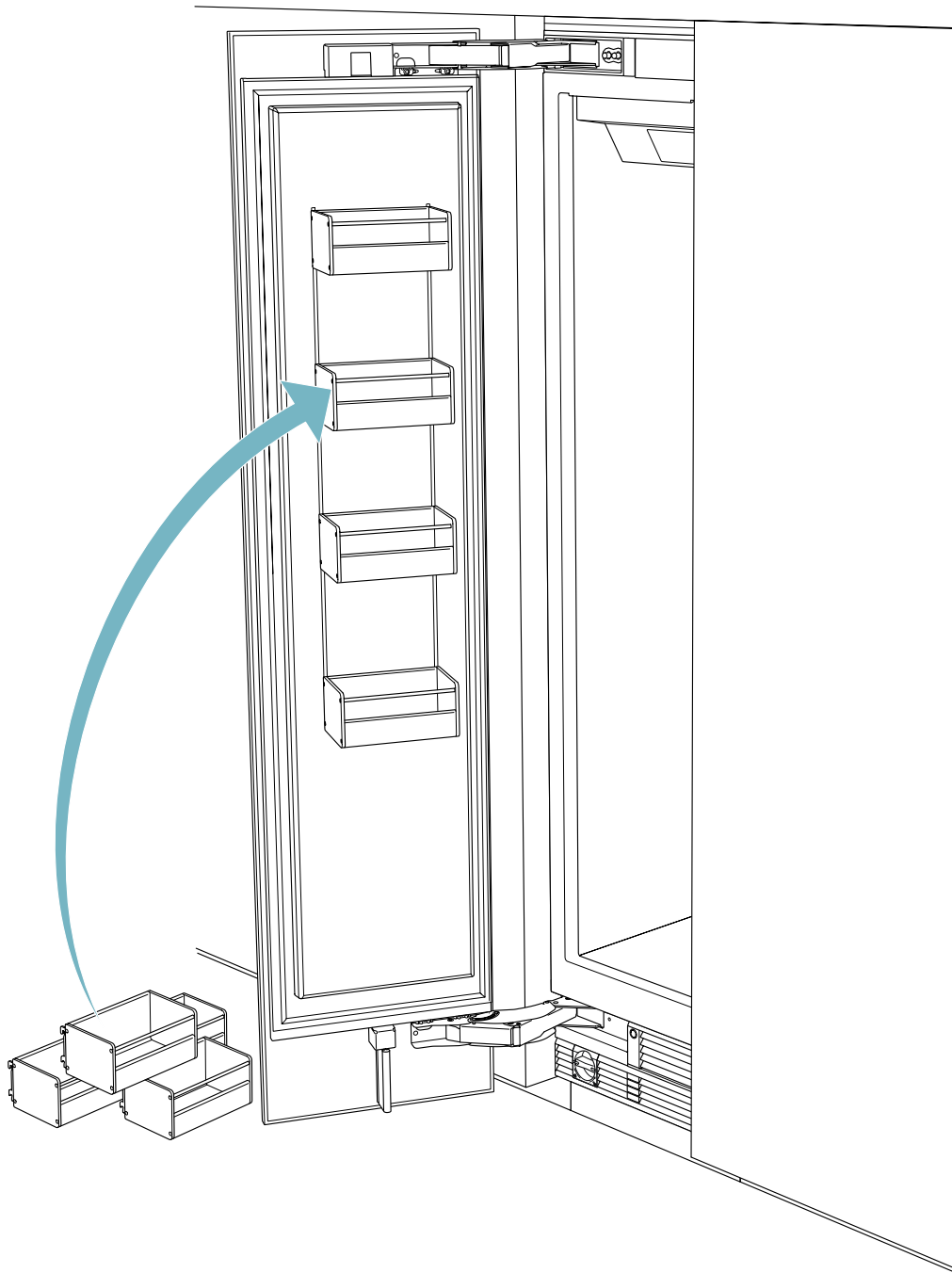


⑤

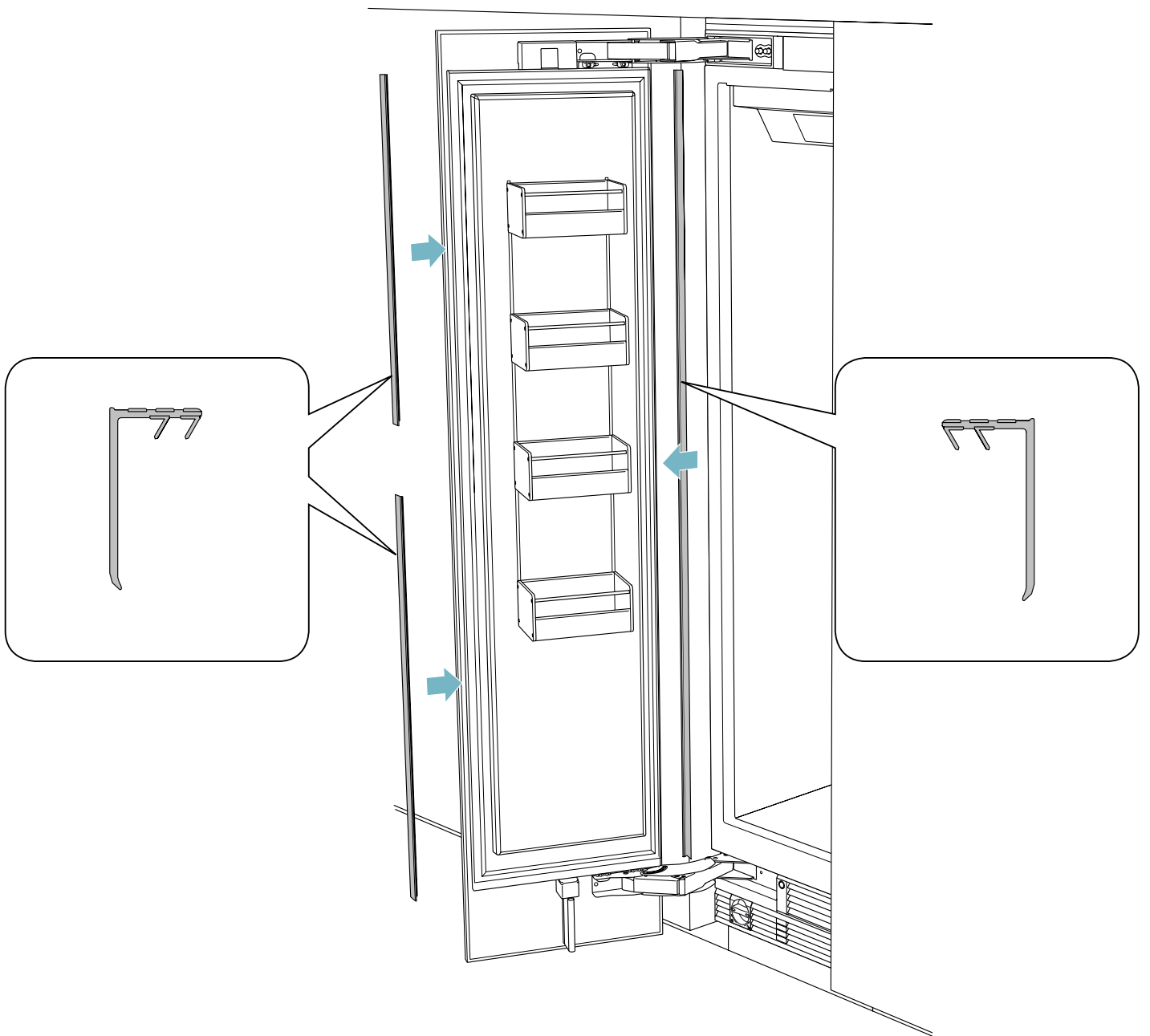
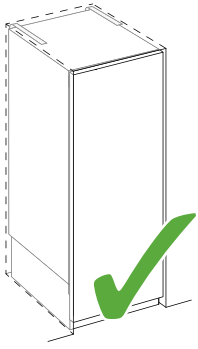


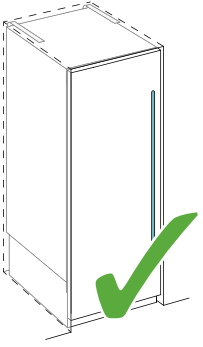
⑥



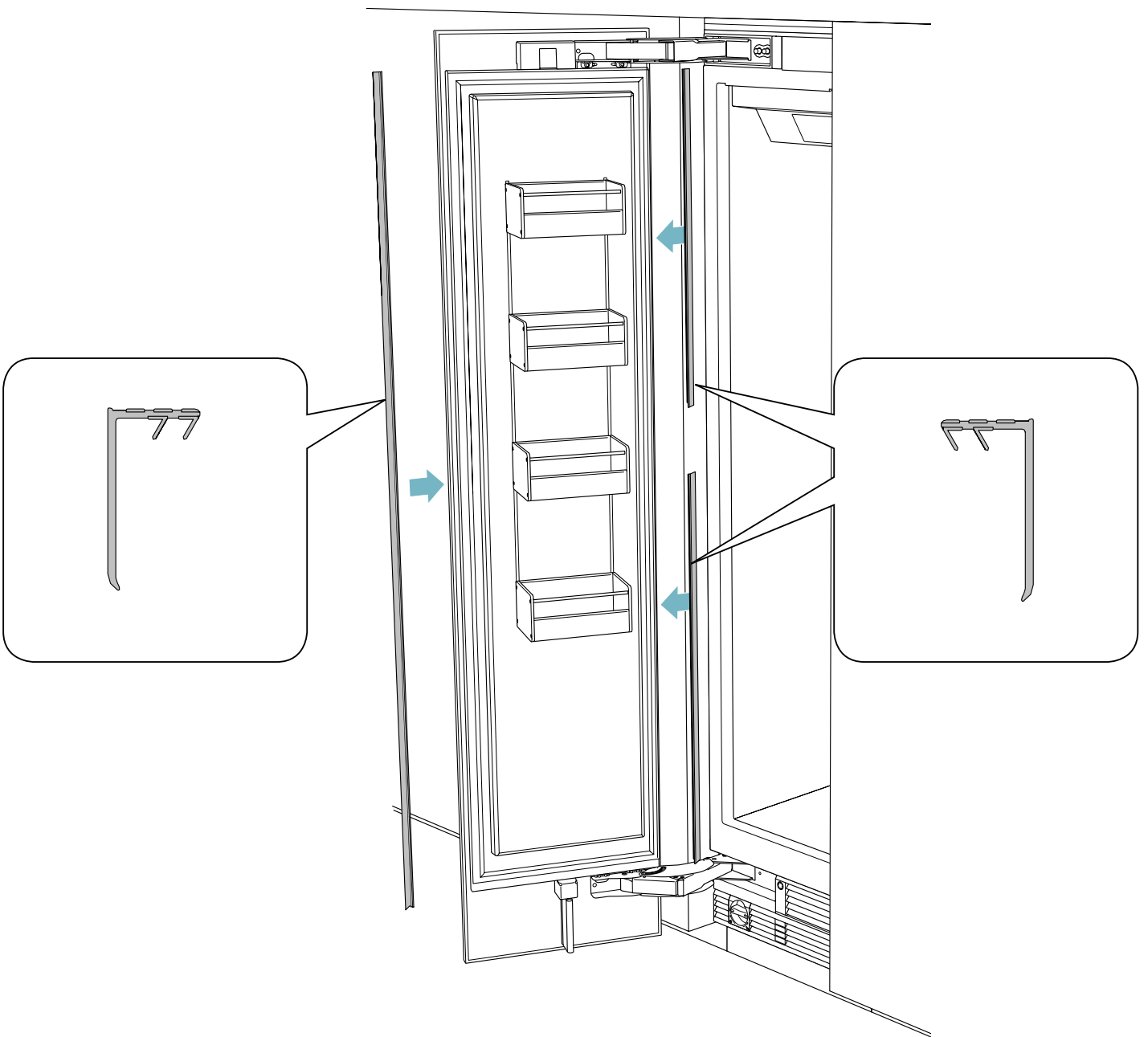


- A
- B
- C
- D

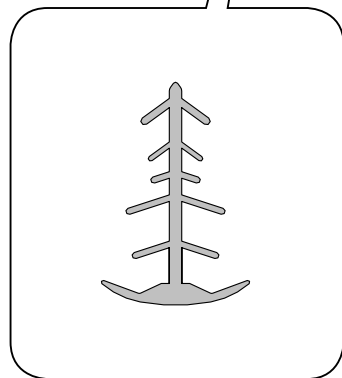
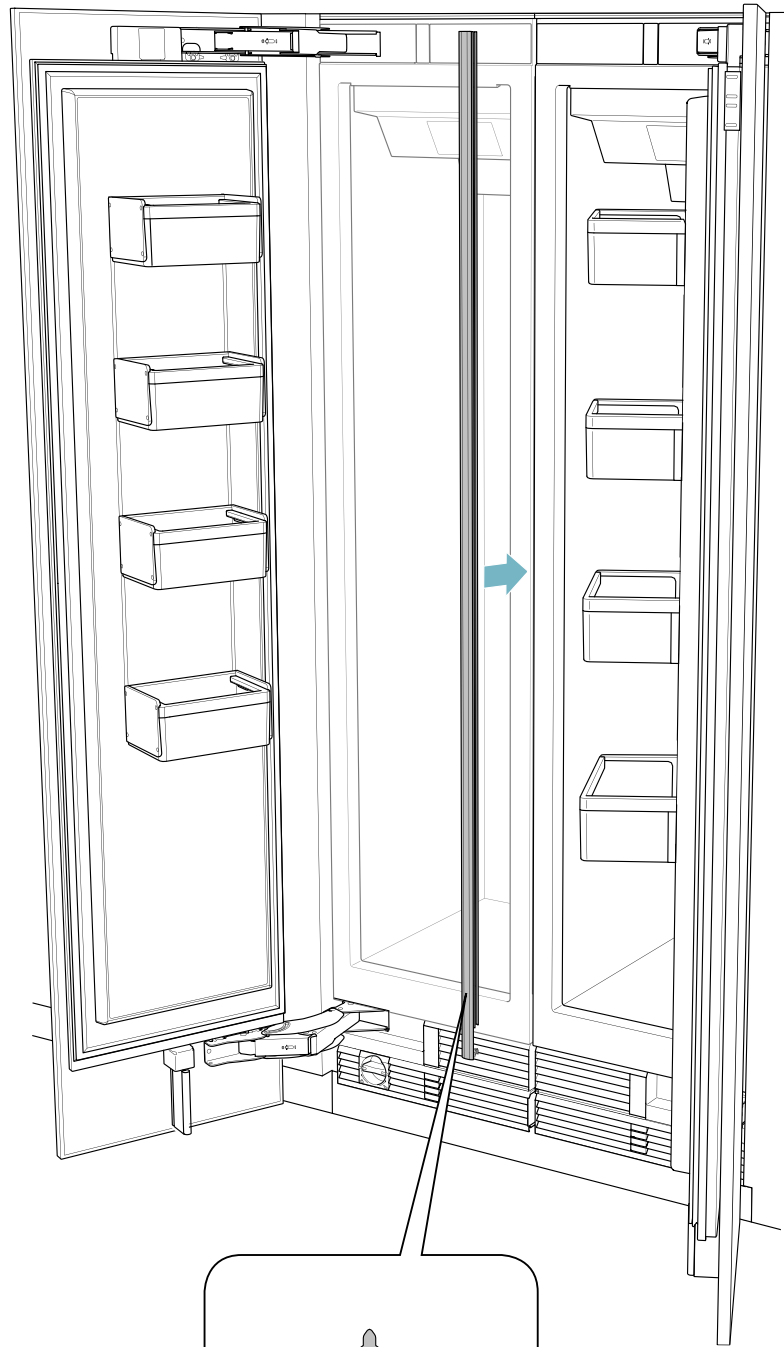


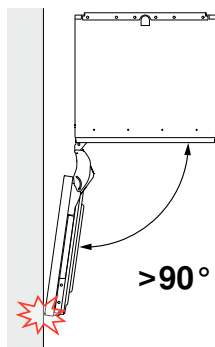
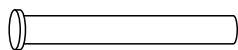


- A
- B
- C
- D

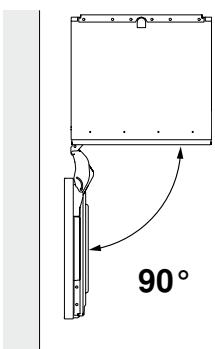


- A
- B
- C
- D

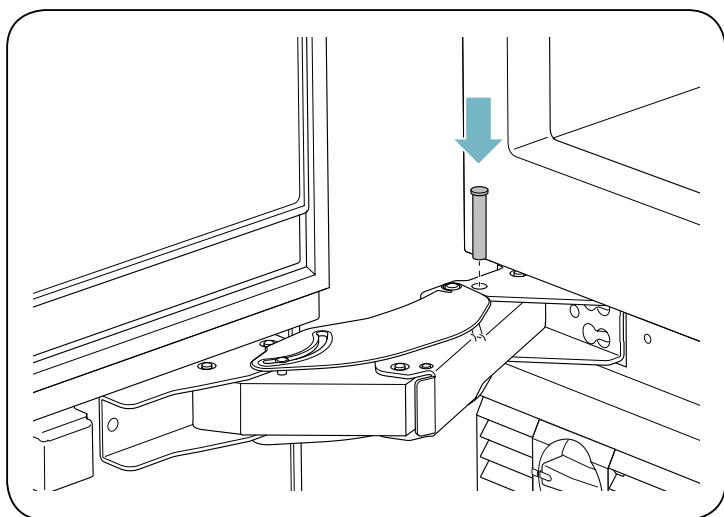
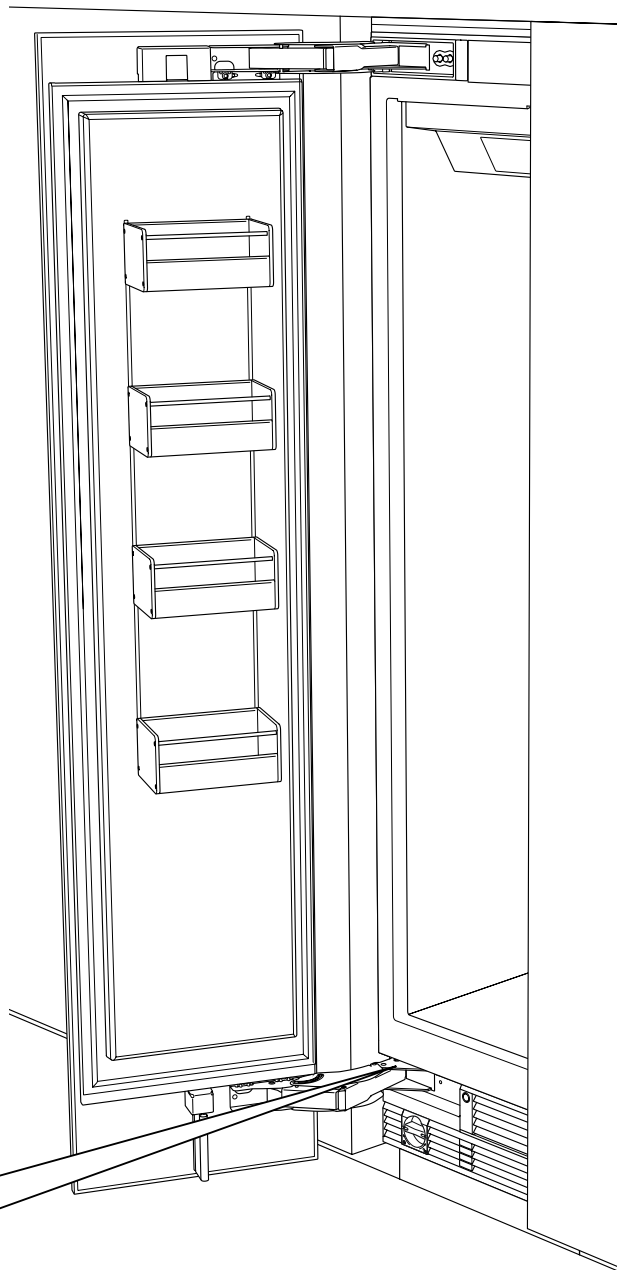


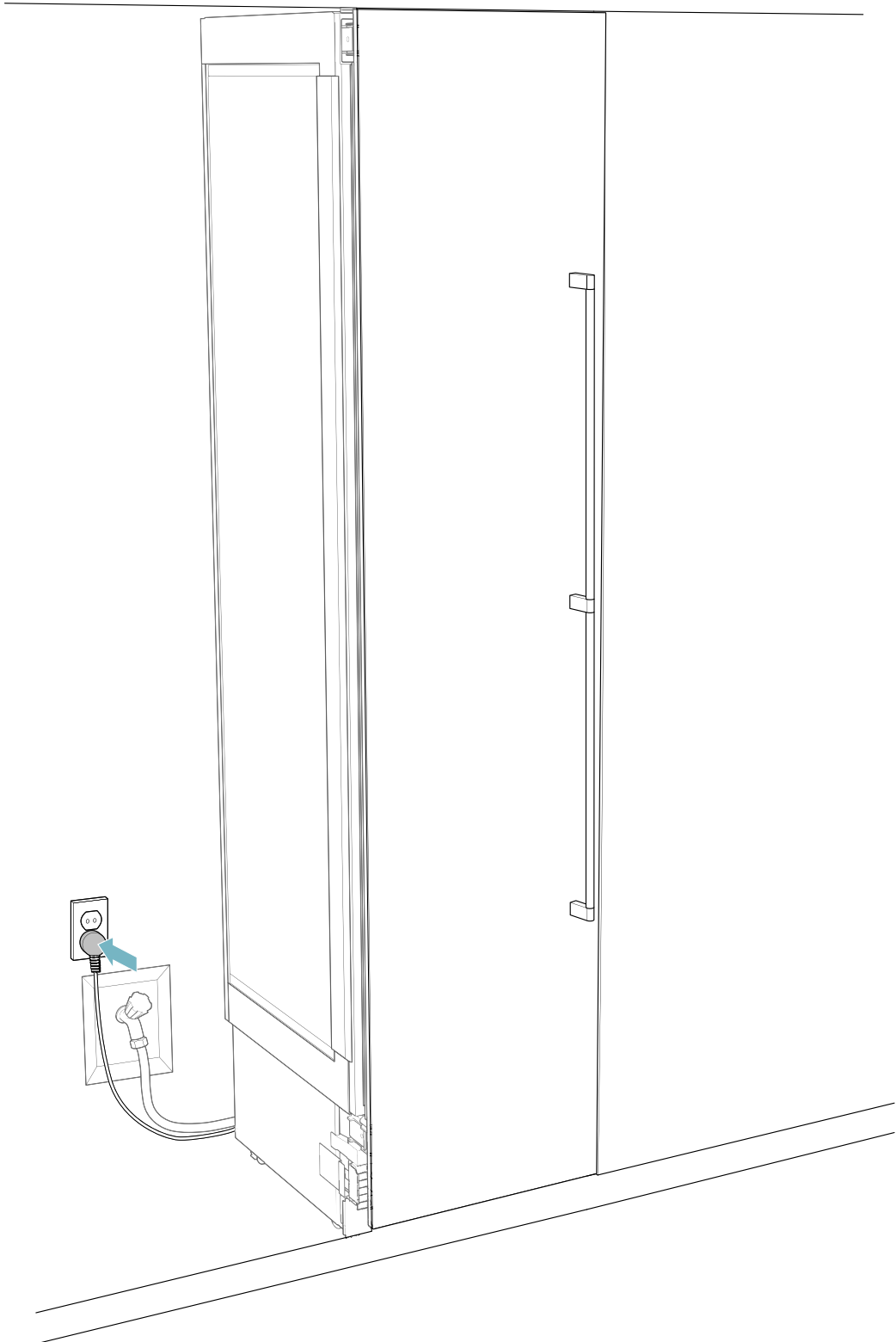


$>90^\circ$



90°





Gaggenau Hausgeräte GmbH
Carl-Wery-Straße 34
D-81739 München
www.gaggenau.com

8001170335 (9910)
xx

GAGGENAU

