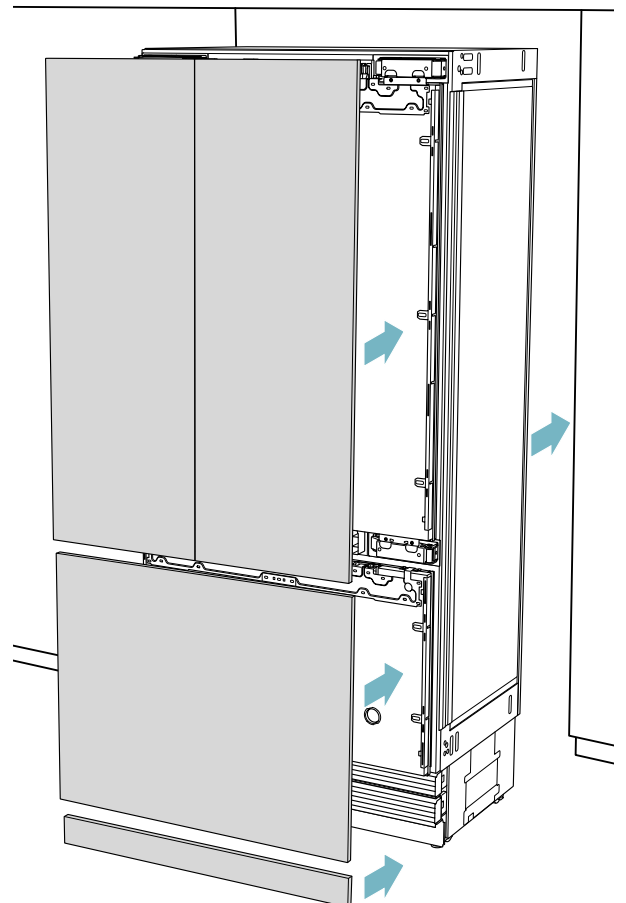


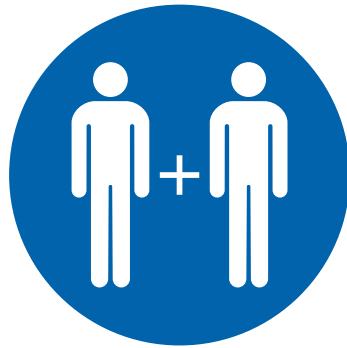
RY492303

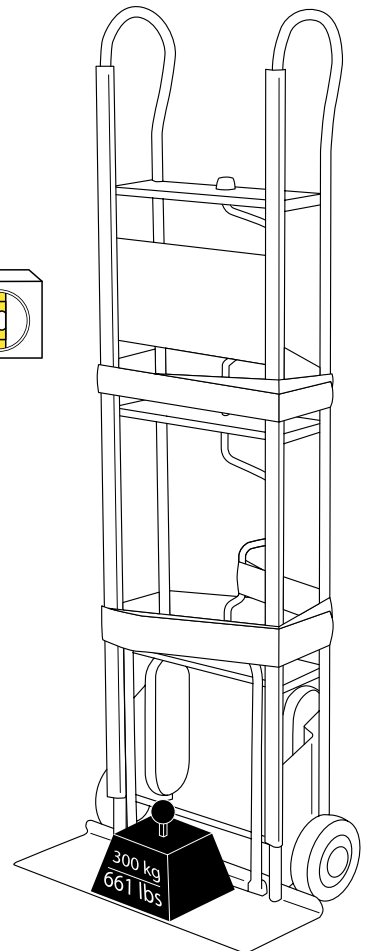
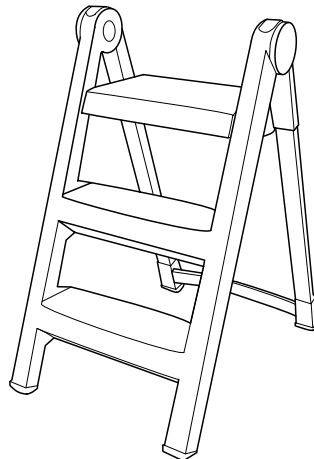
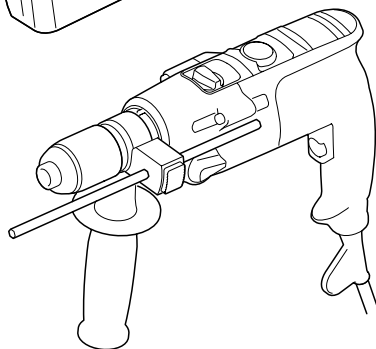
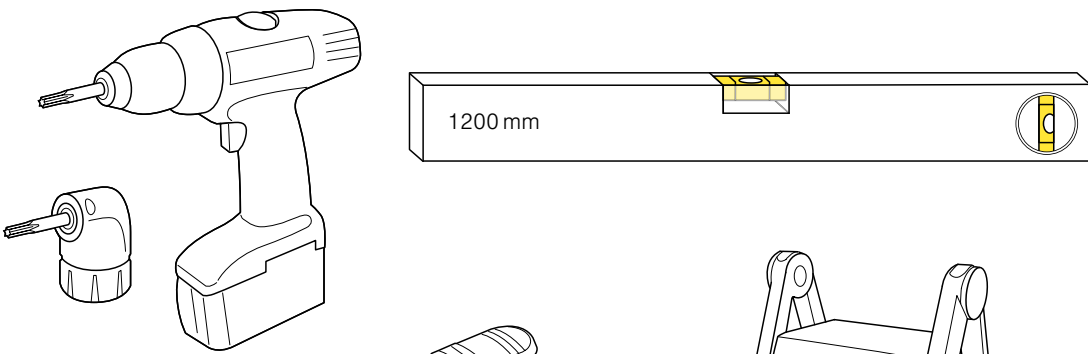
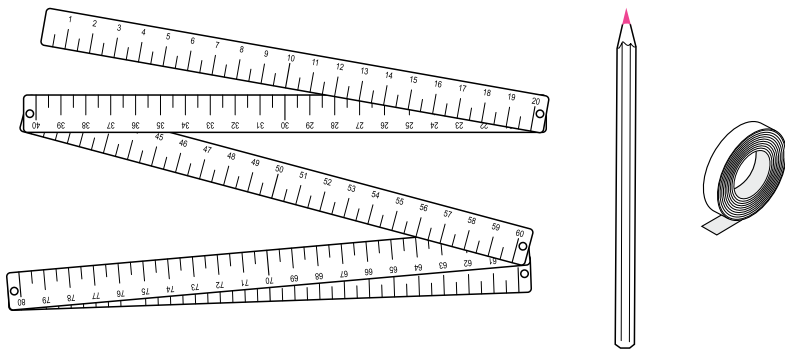
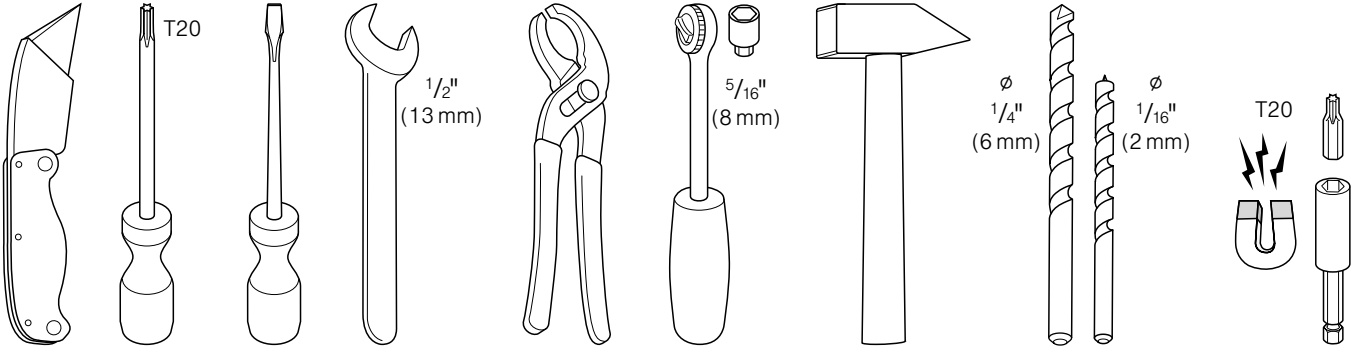
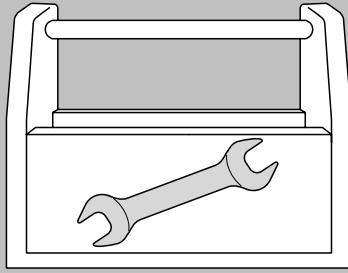
RY492505

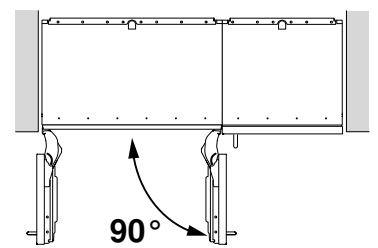
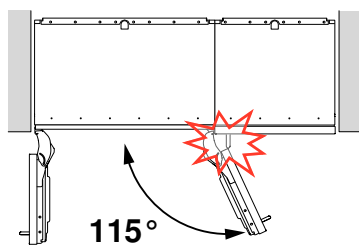
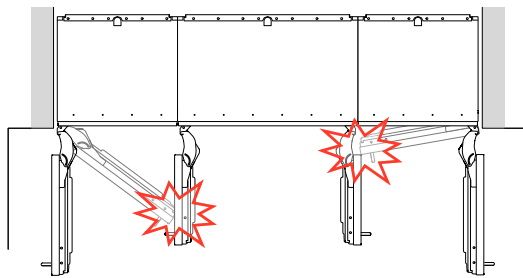
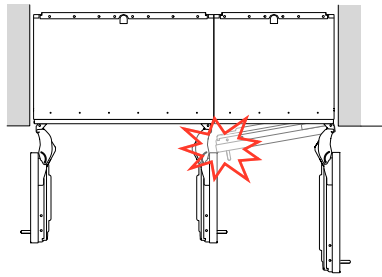
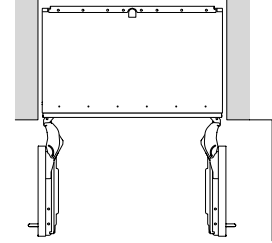
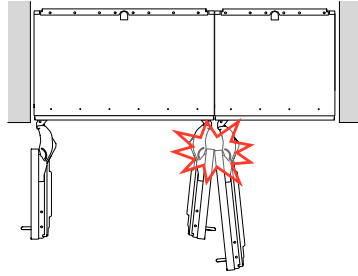
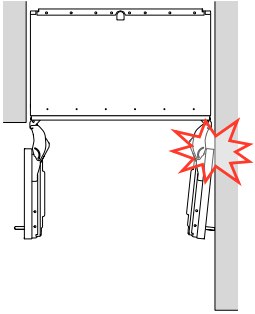
RY492905

RY492305



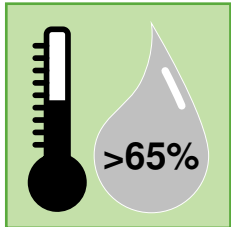




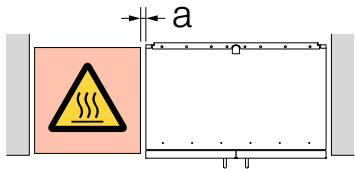
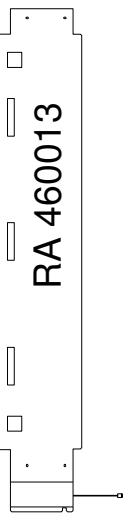
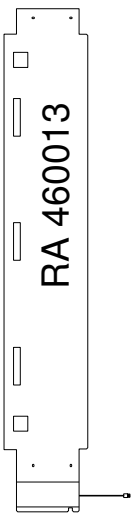




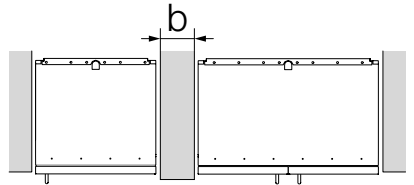
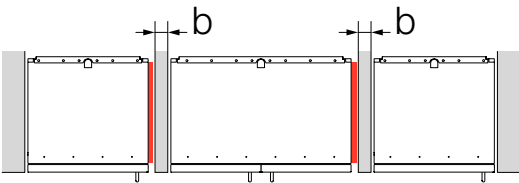
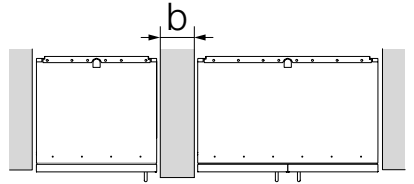
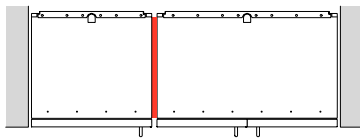
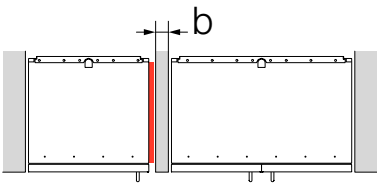
$\frac{5}{8}'' \leq b < 6\frac{1}{4}''$
(16 mm \leq b < 160 mm)

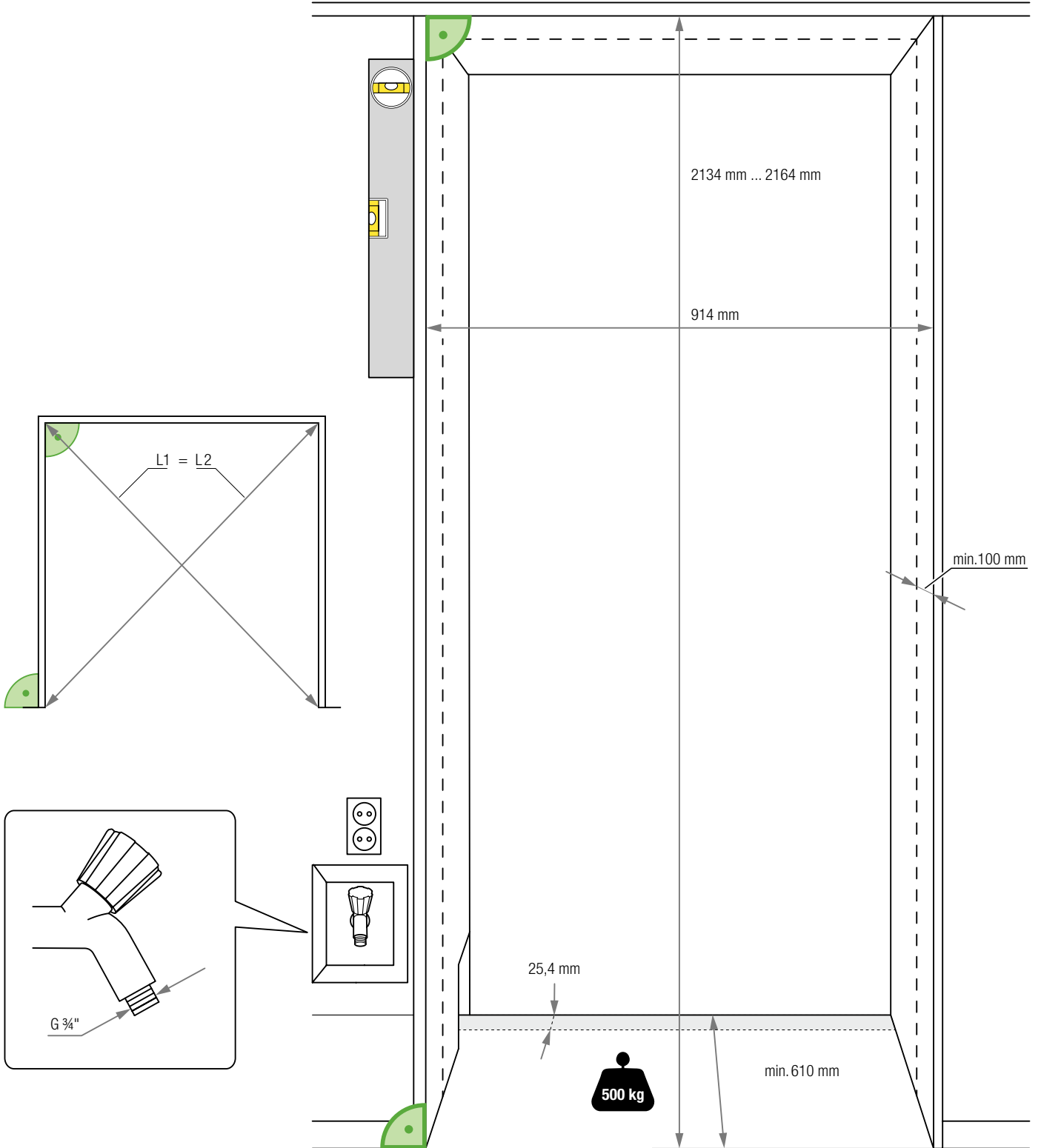
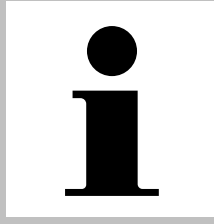


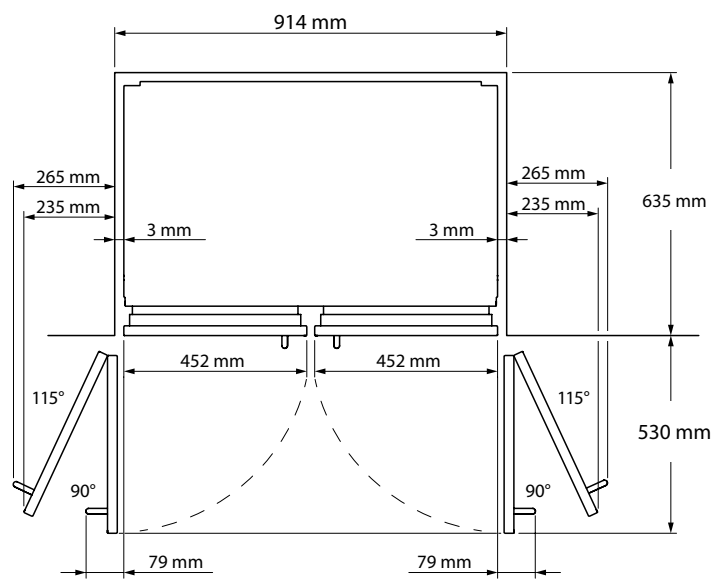
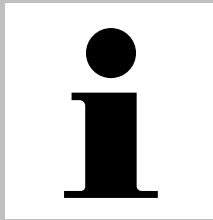
$a \geq 1\frac{3}{16}''$
(a \geq 30 mm)

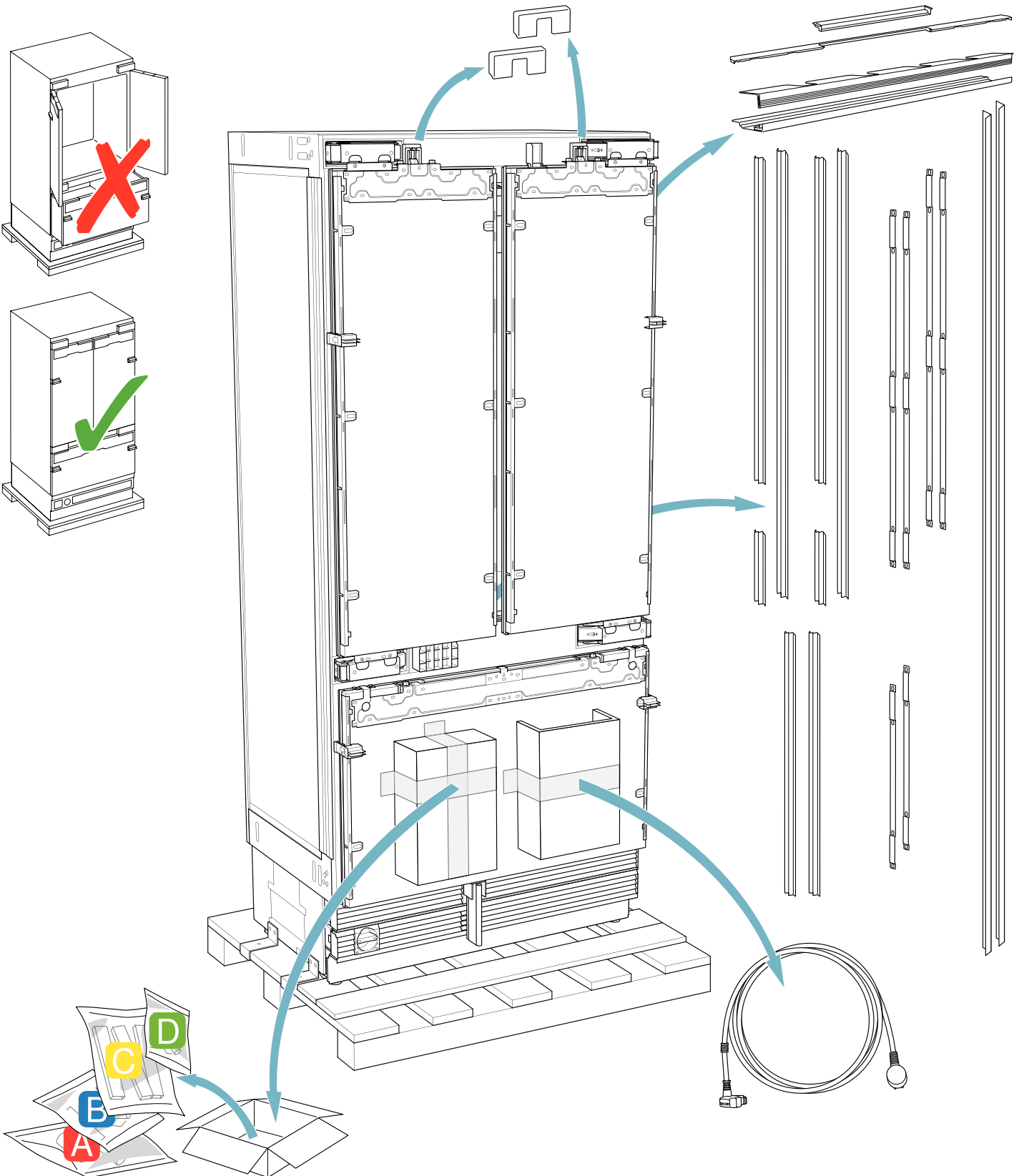
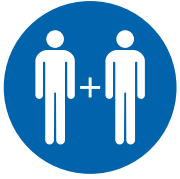


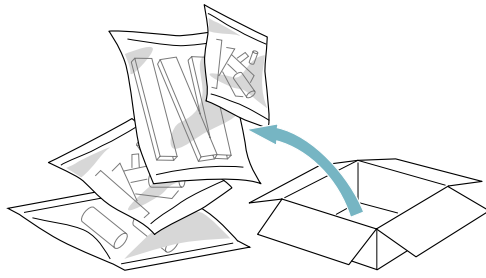
$b \geq 6\frac{1}{4}''$
 $b \geq 160$ mm




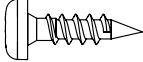


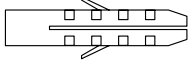


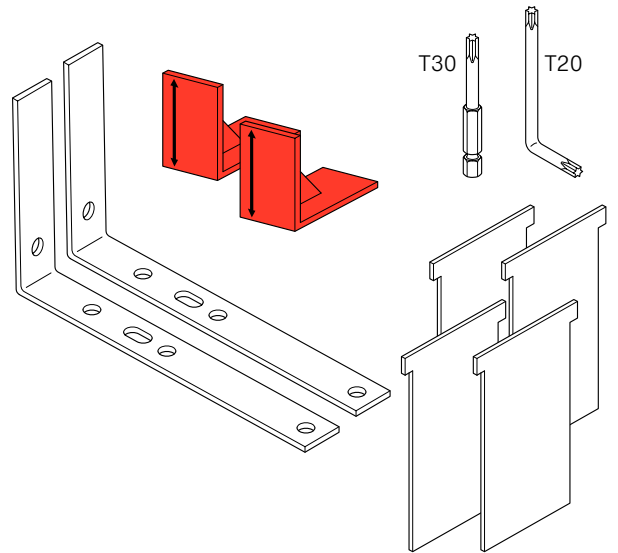








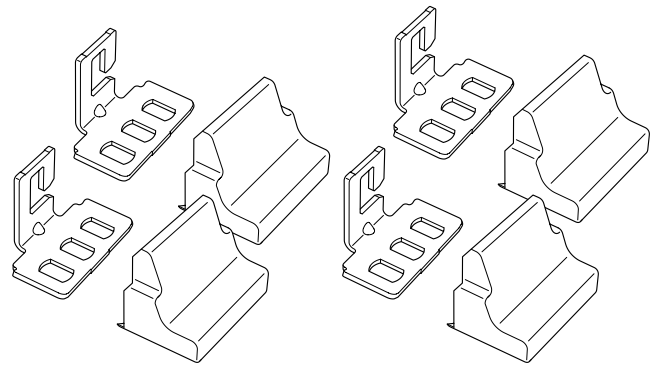
A

4x15			6x
5x60			4x
6x31			4x


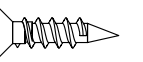




B

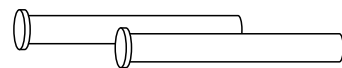
4x15			8x
------	-------------------------------------------------------------------------------------	-------------------------------------------------------------------------------------	----

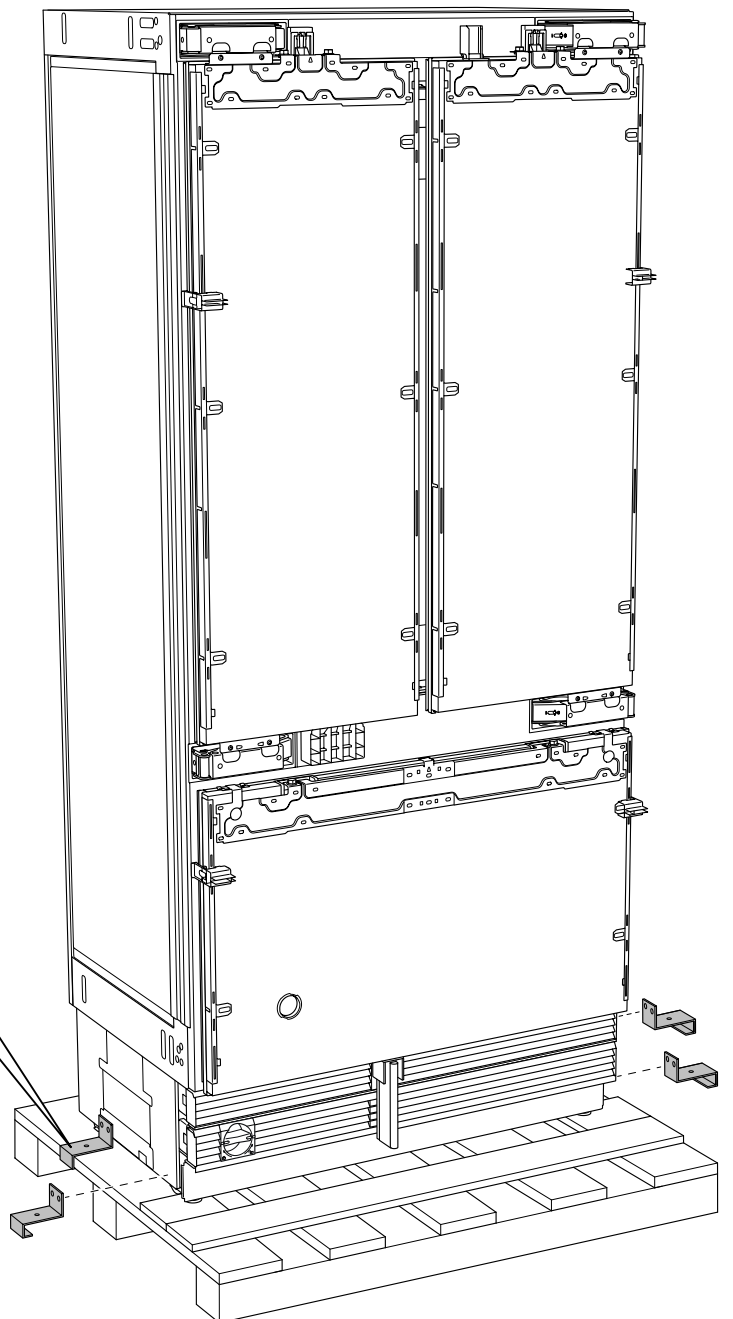
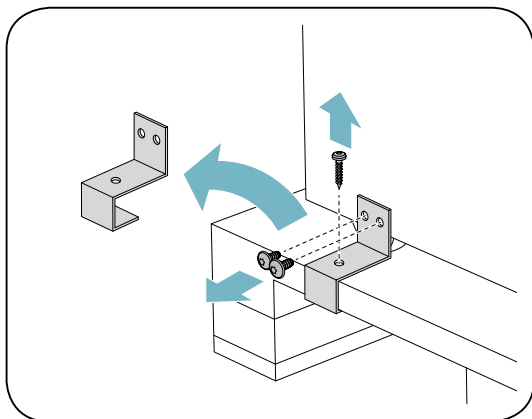
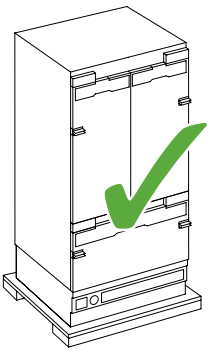
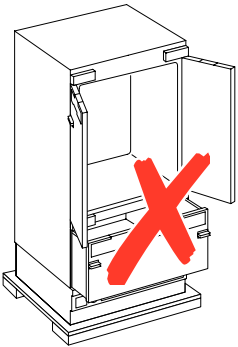
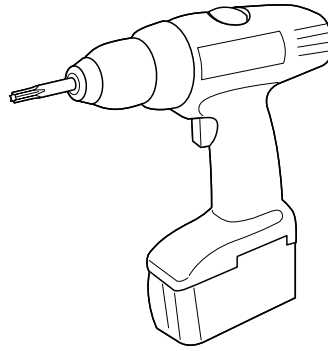
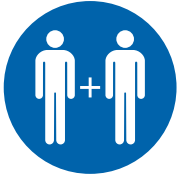


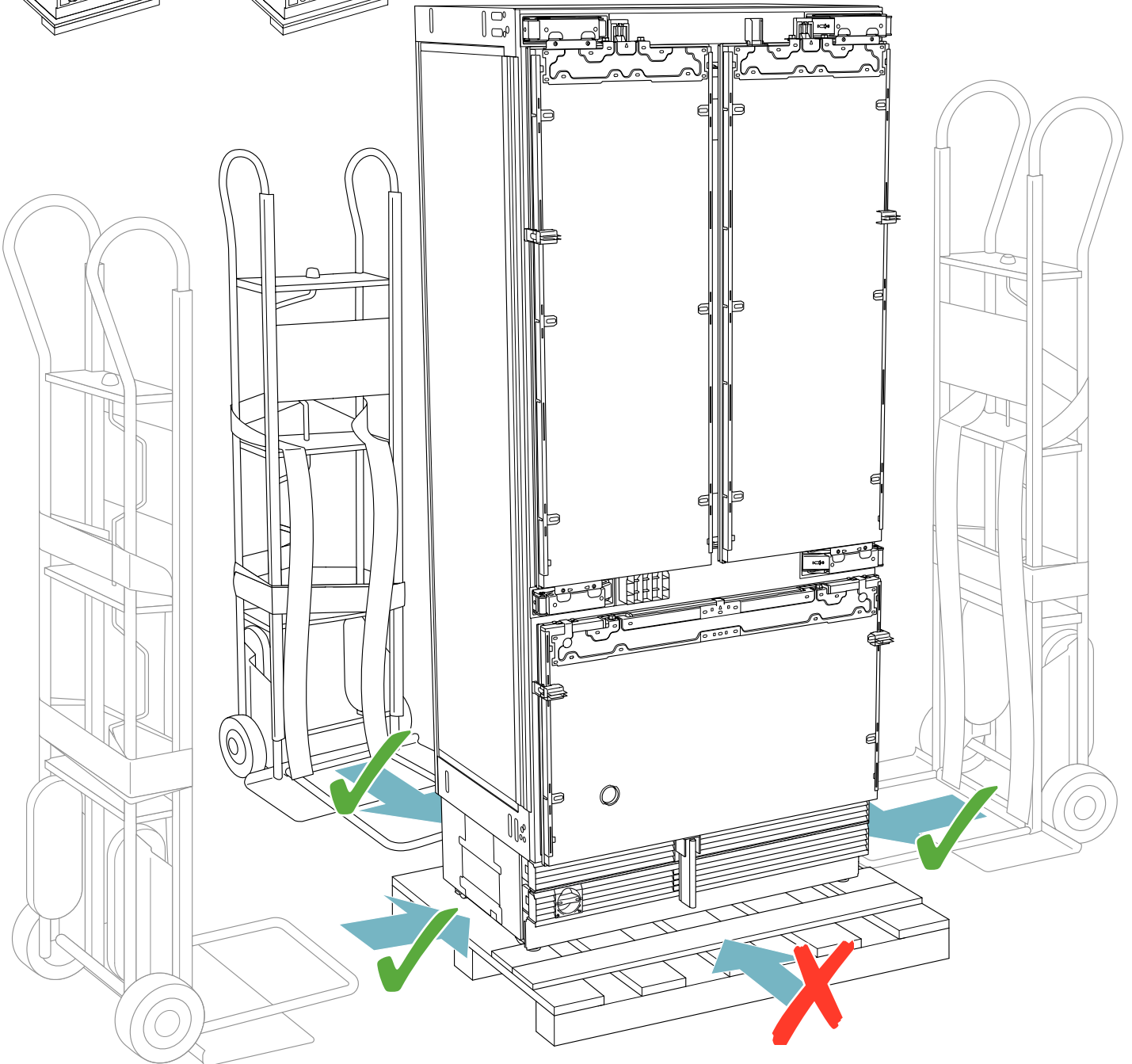
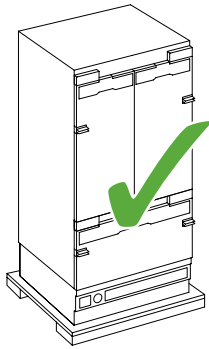
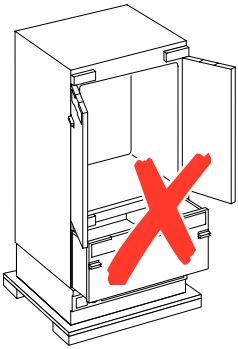
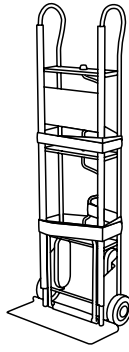
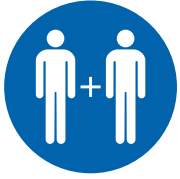
C

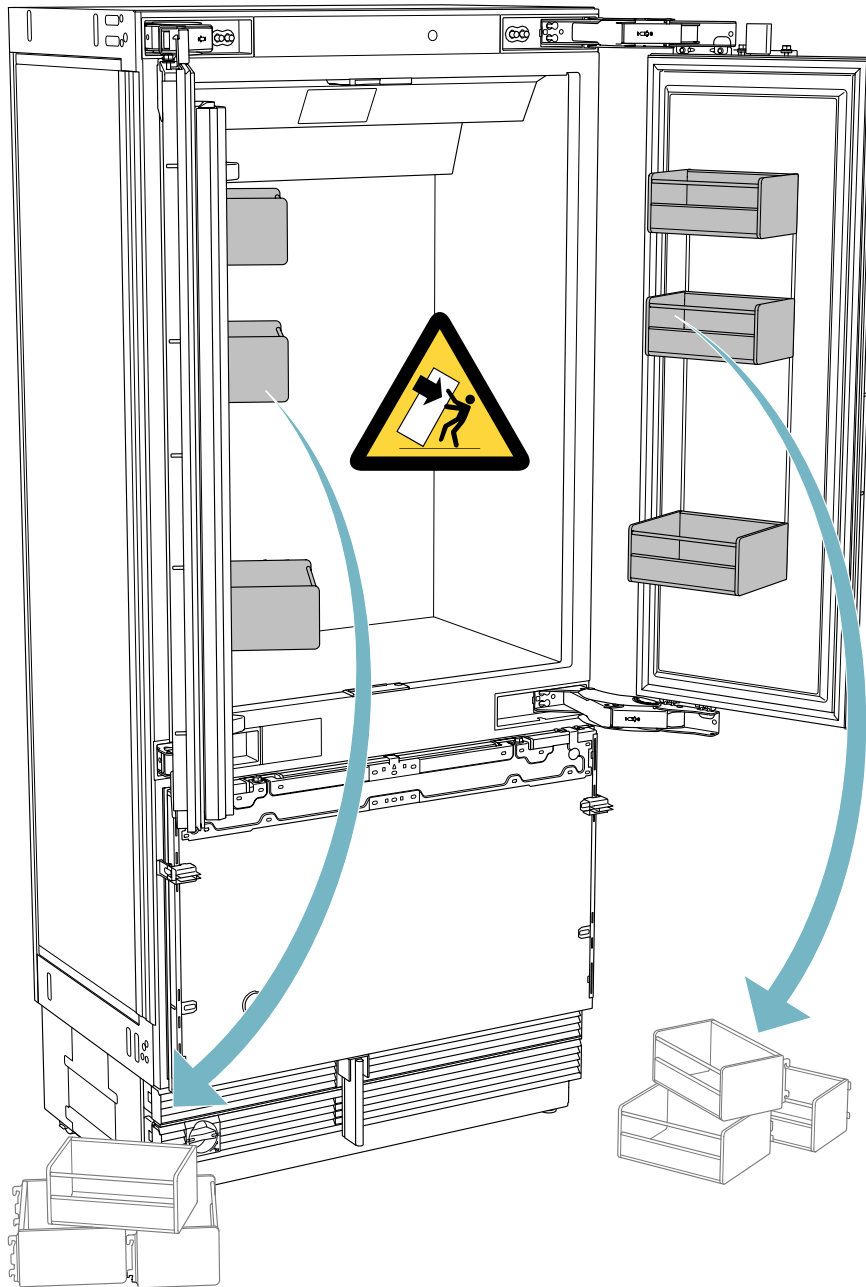
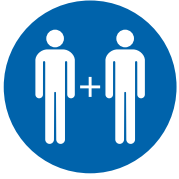
4x15			54x
4x15			8x

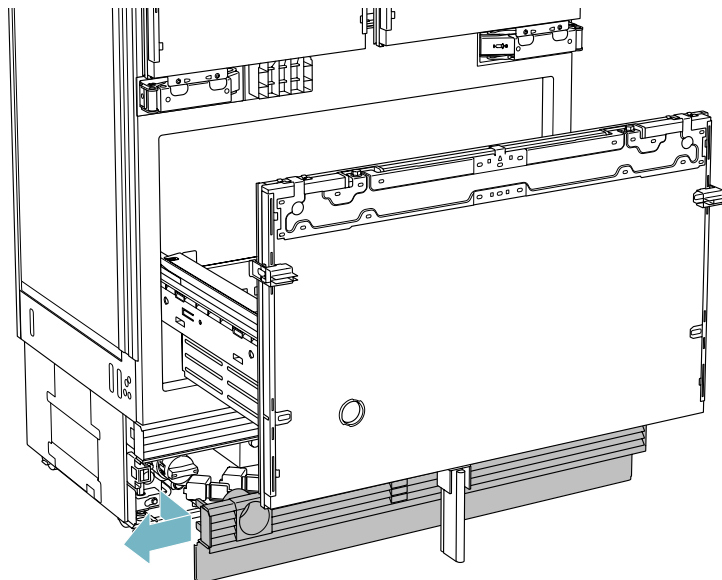
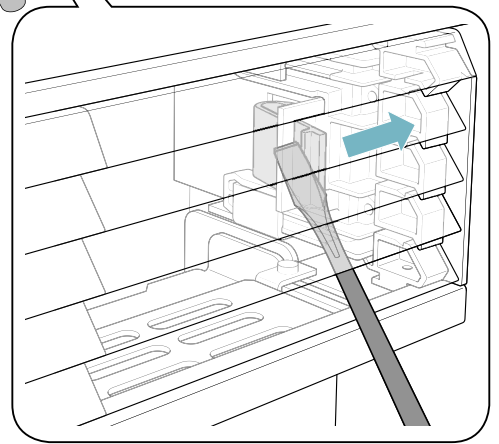
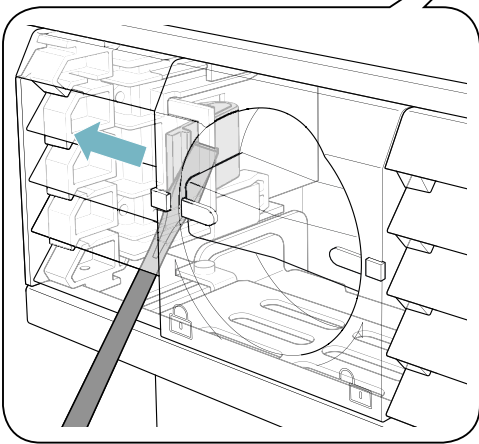
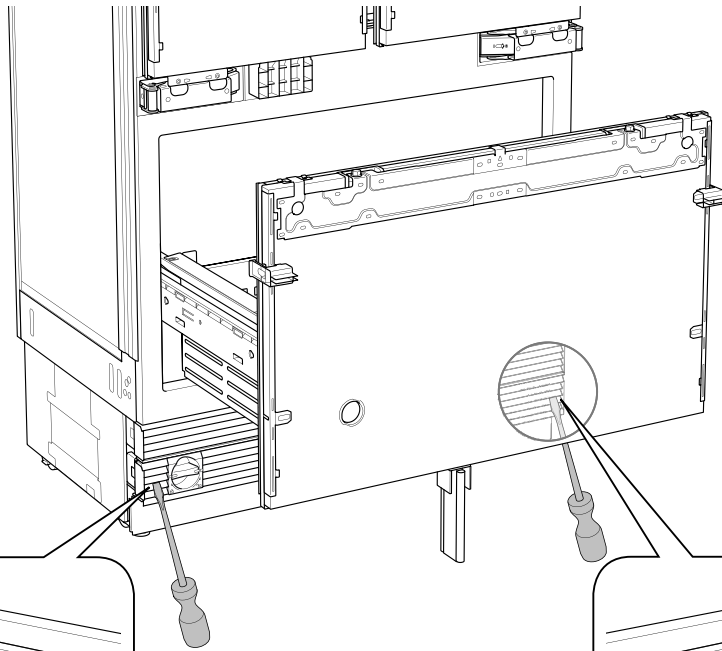
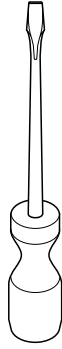
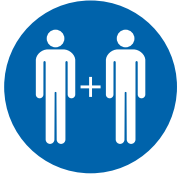
D

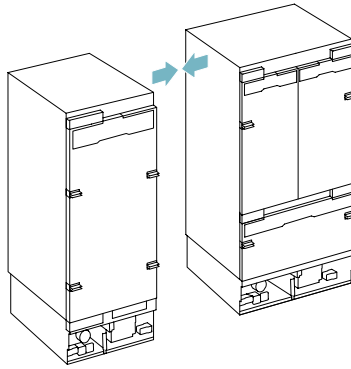
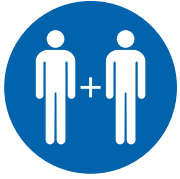




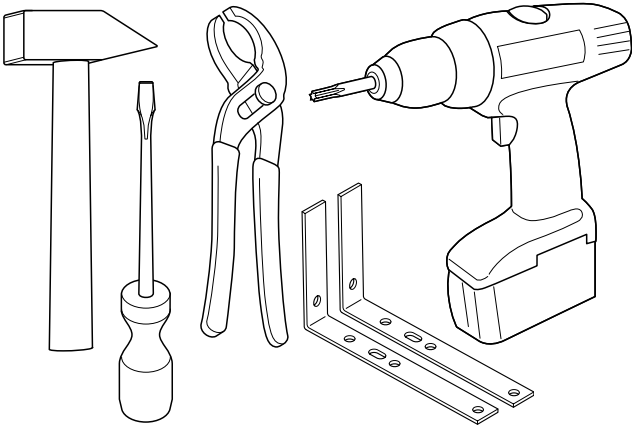




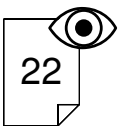
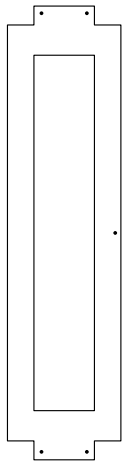
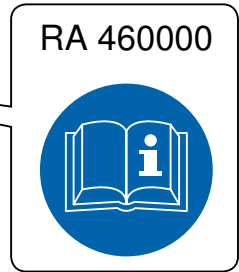
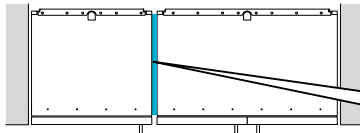
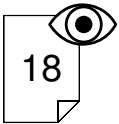
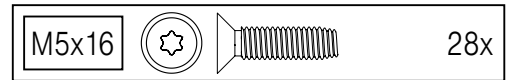
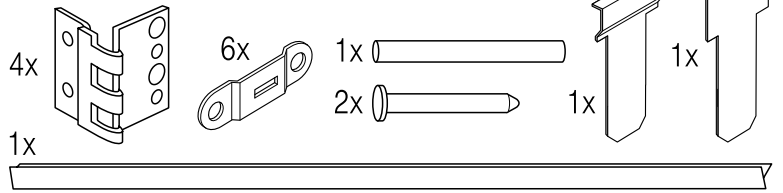




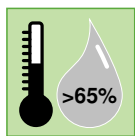
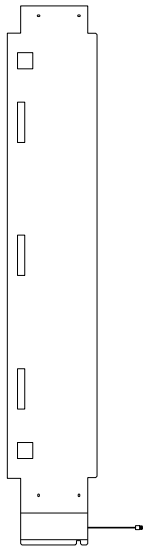
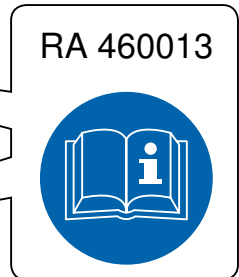
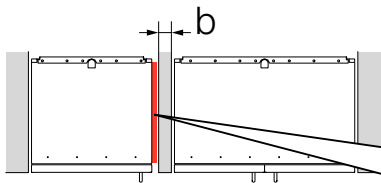
A
B
C
D



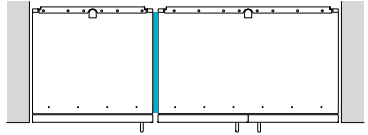
RA460000



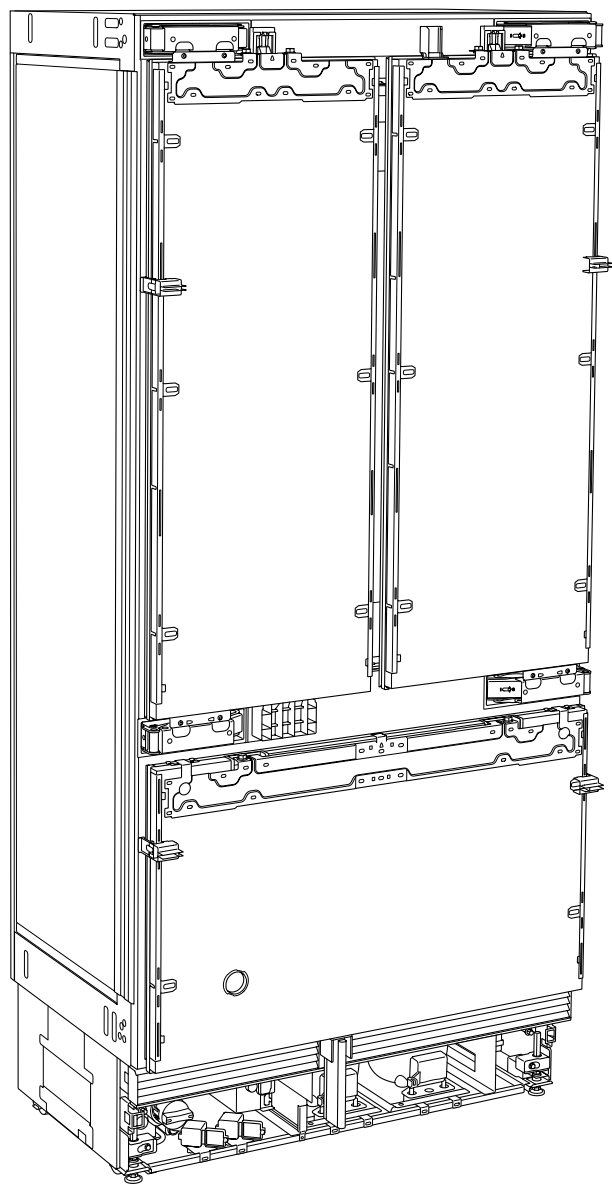
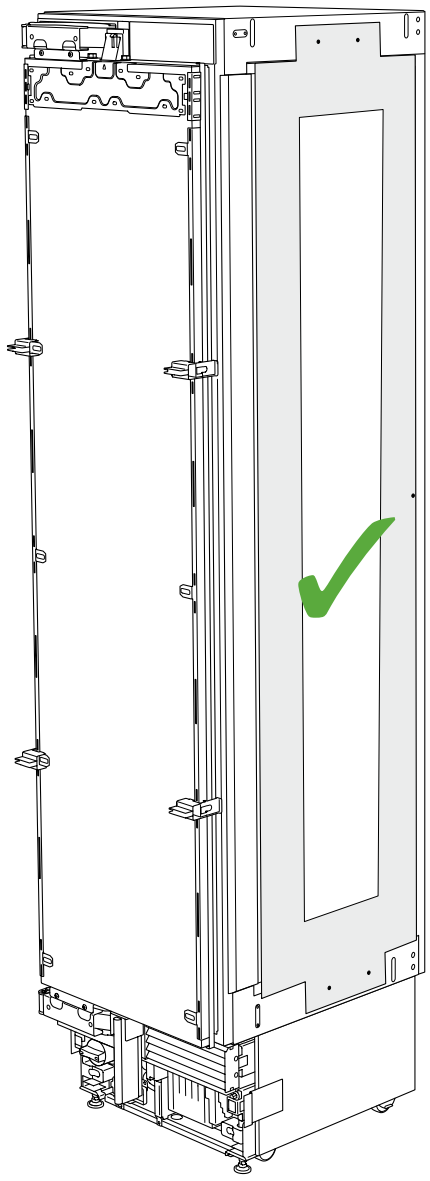
$\frac{5}{8}'' \leq b < 6\frac{1}{4}''$
(16 mm \leq b < 160 mm)





A
B
C
D

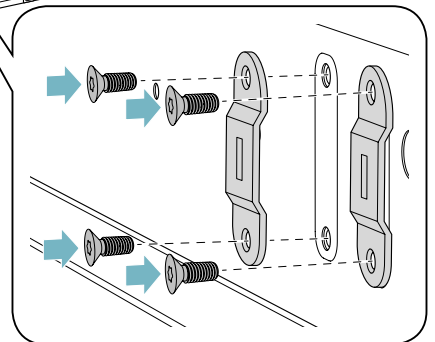
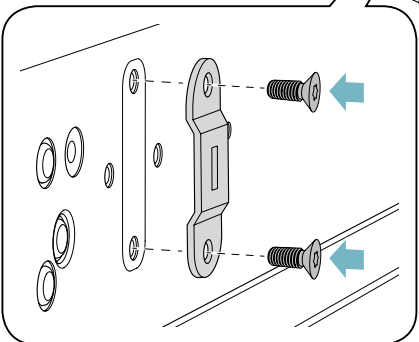
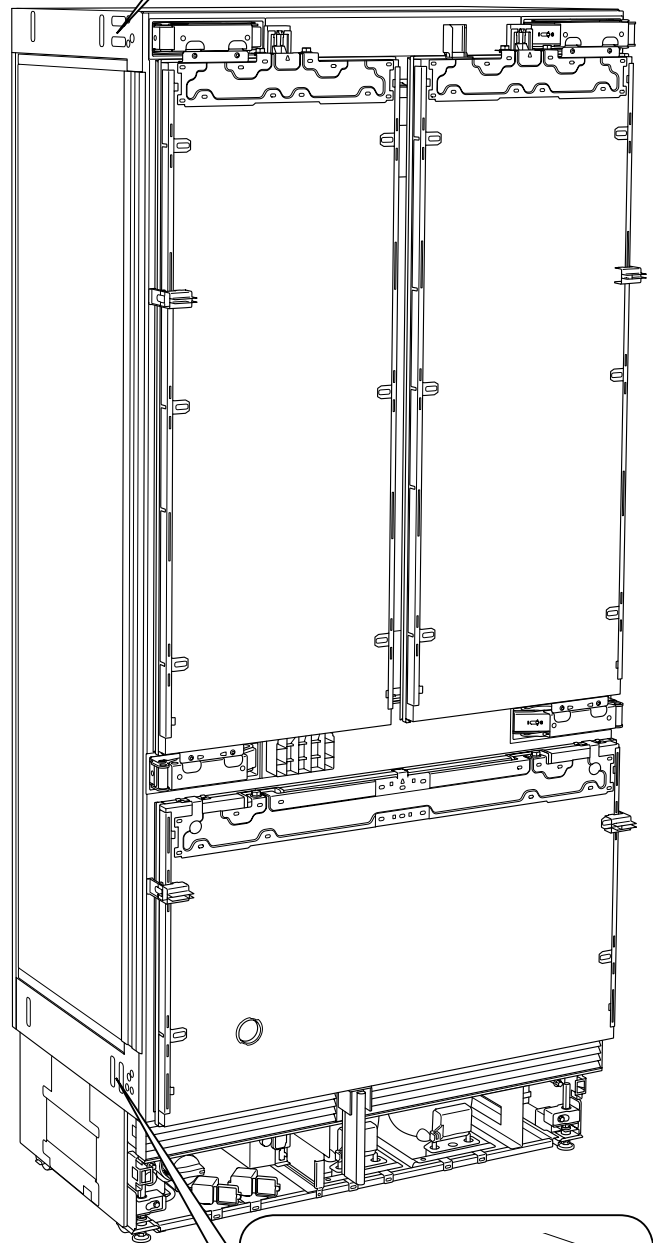
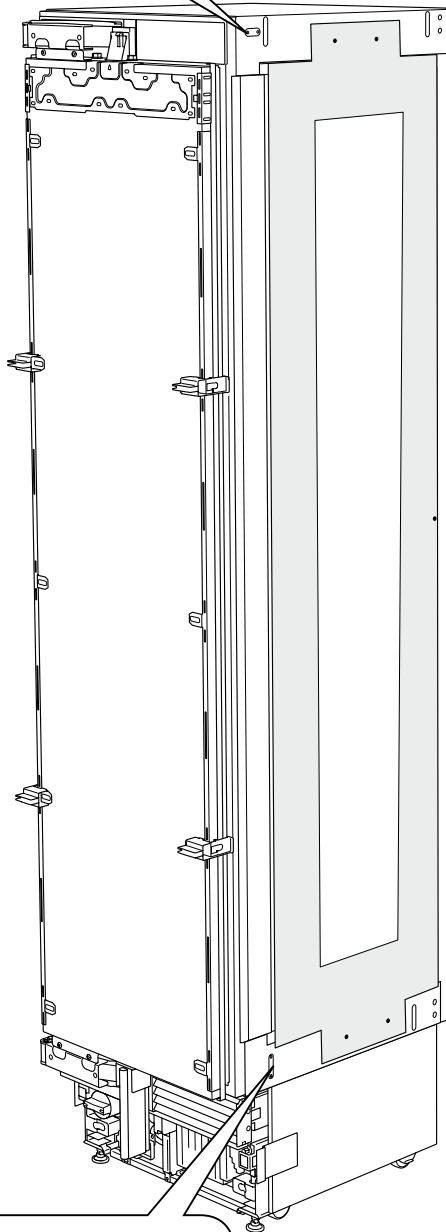
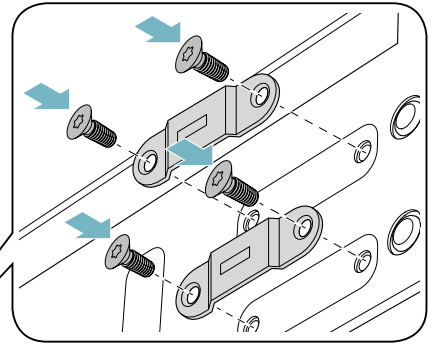
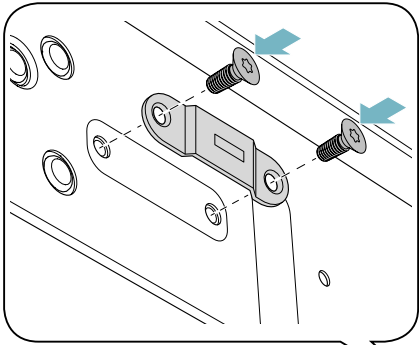


RA 46000



M5x16   12x

A
B
C
D





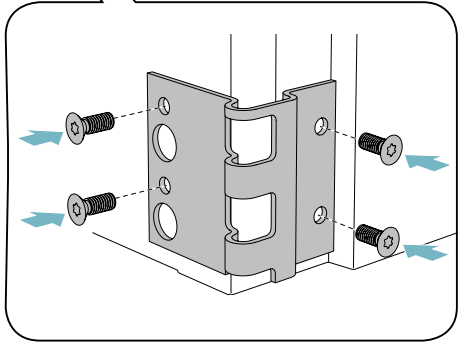
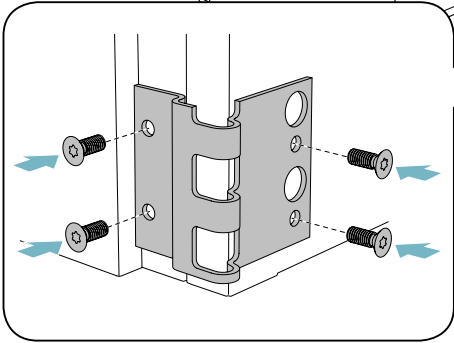
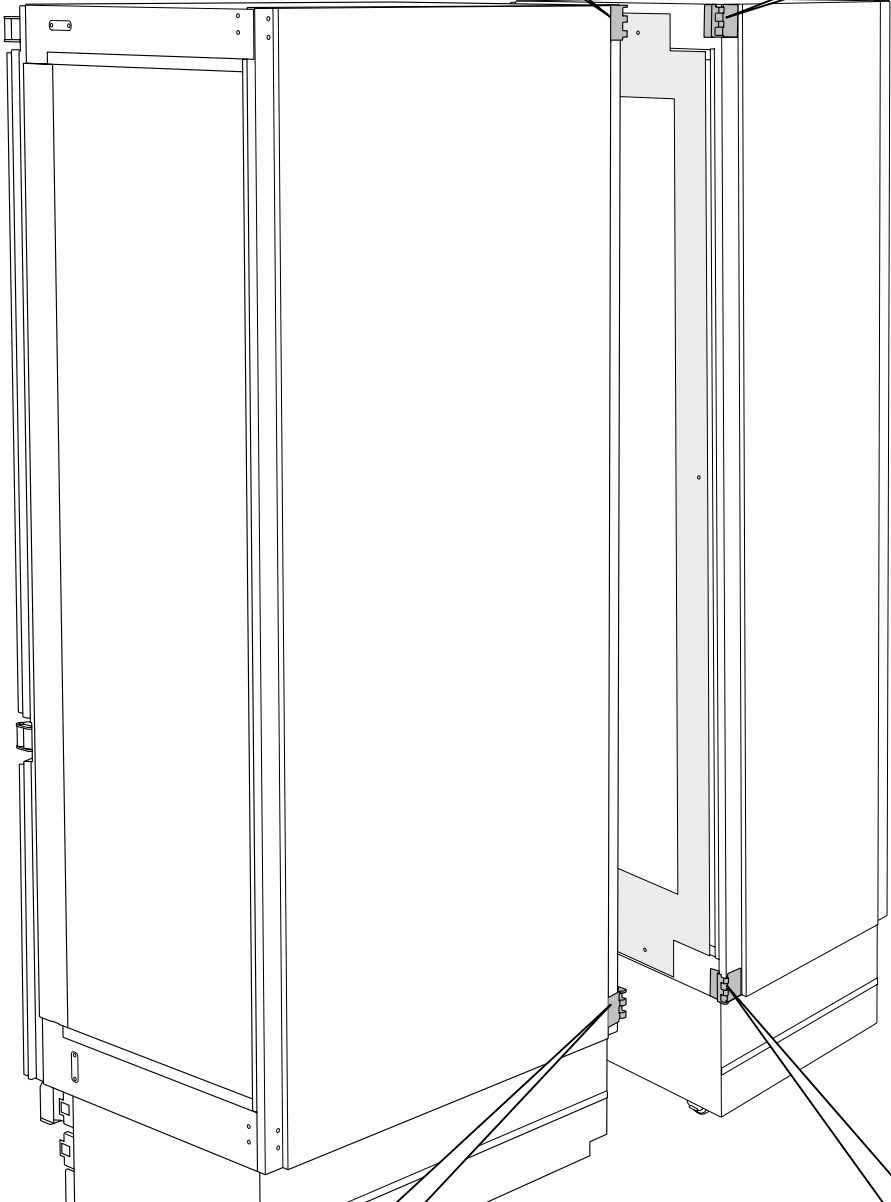
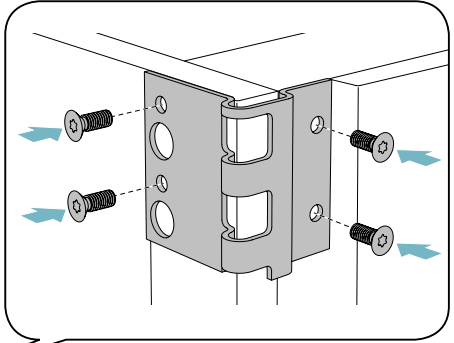
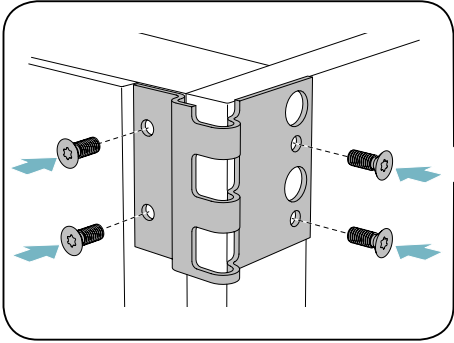
A

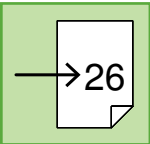
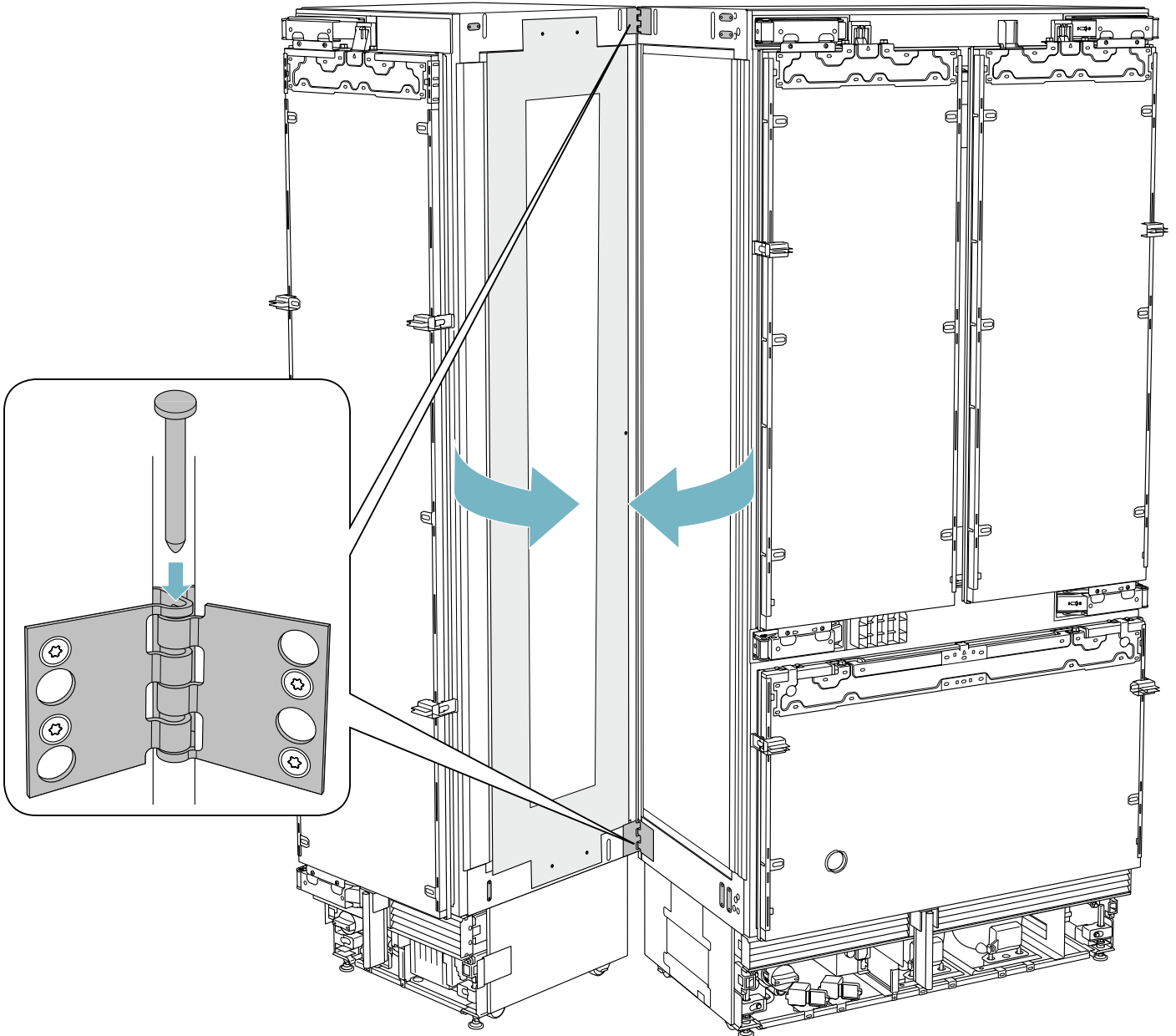
B

C

D

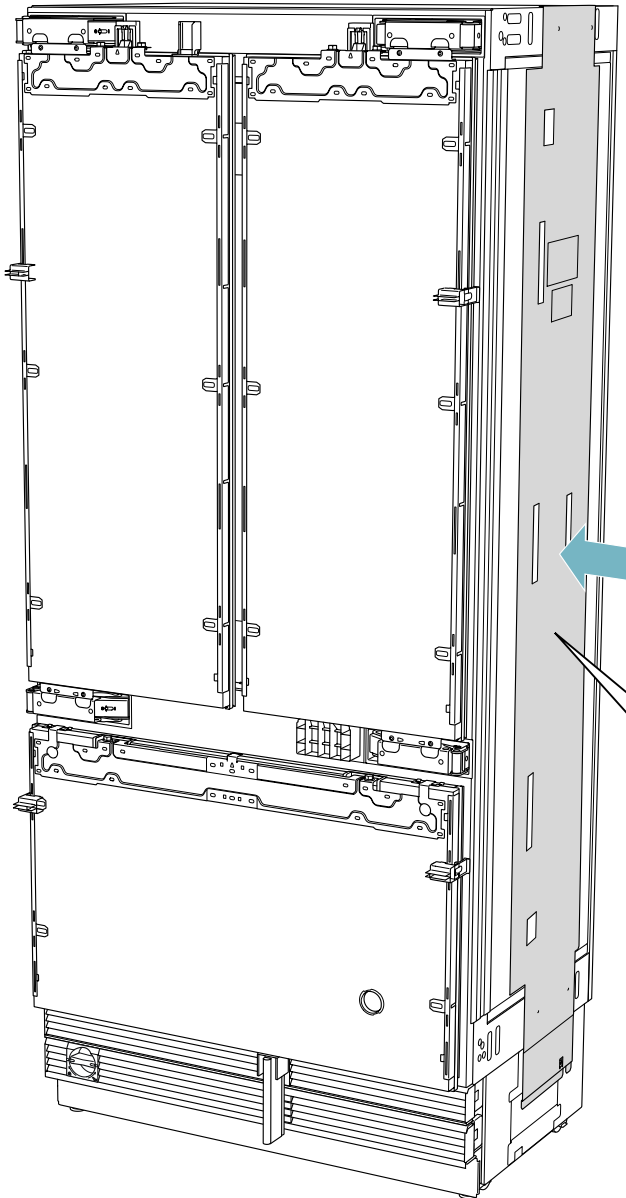
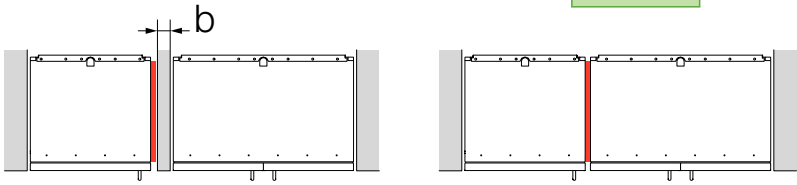
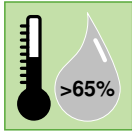
M5x16   16x



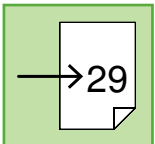
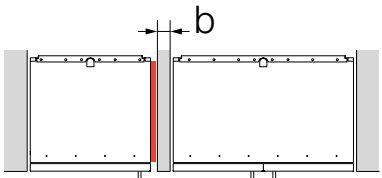




A
B
C
D

$\frac{5}{8}'' \leq b < 6\frac{1}{4}''$
(16 mm $\leq b < 160$ mm)

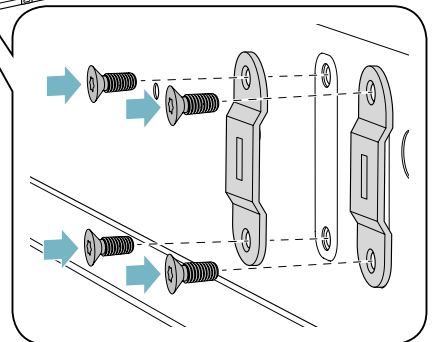
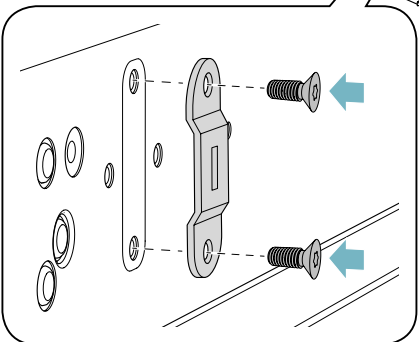
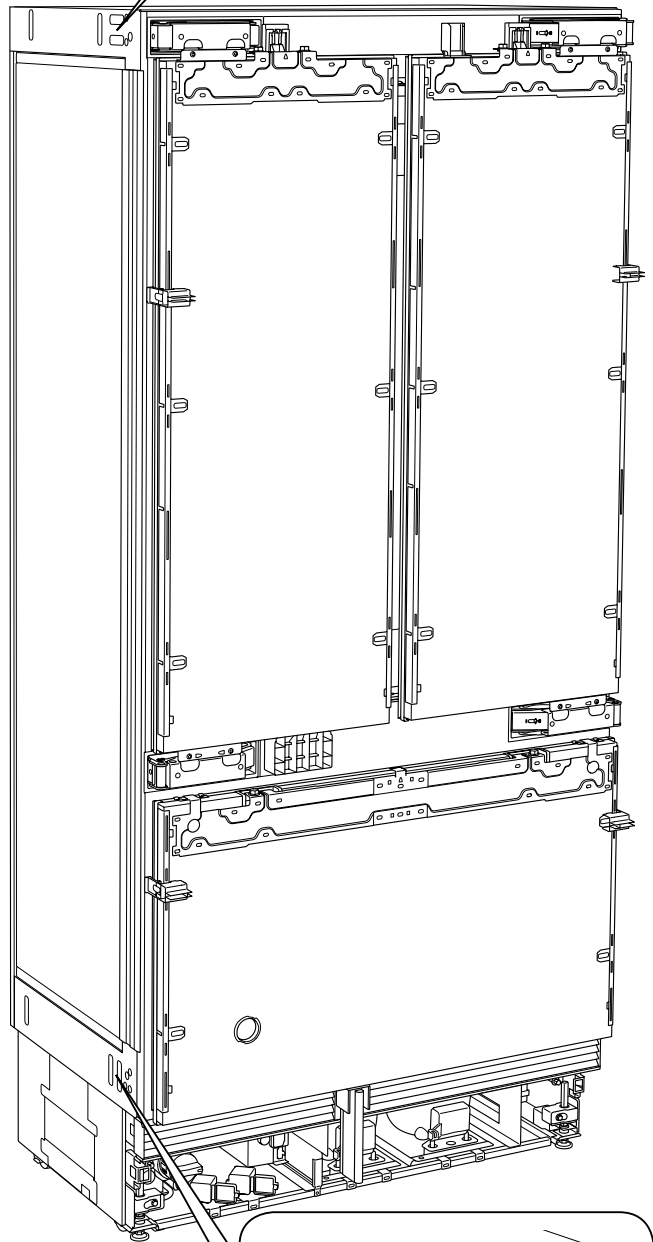
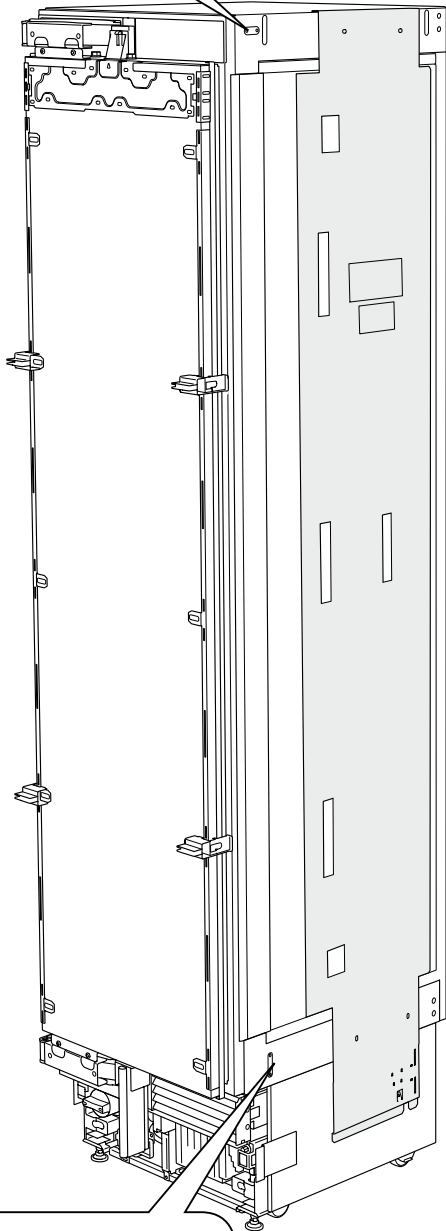
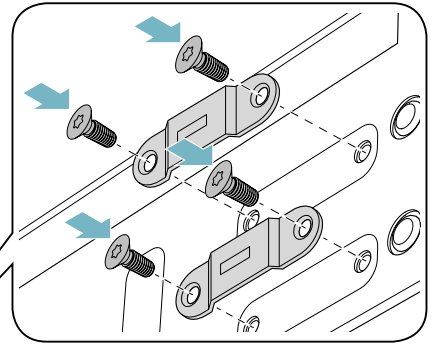
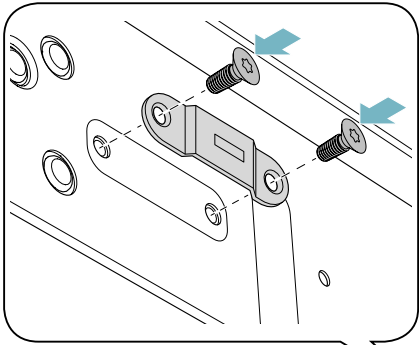


RA 460013



M5x16   12x

A
B
C
D



A

B

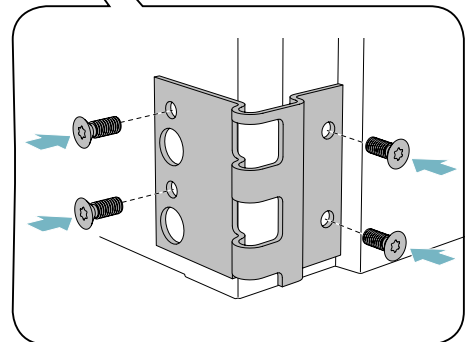
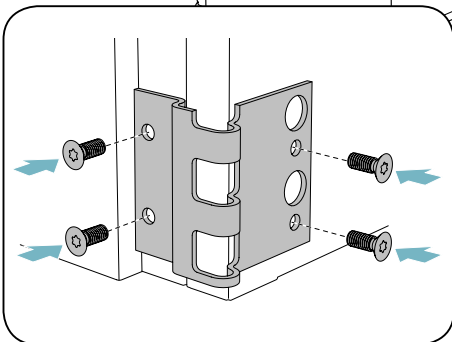
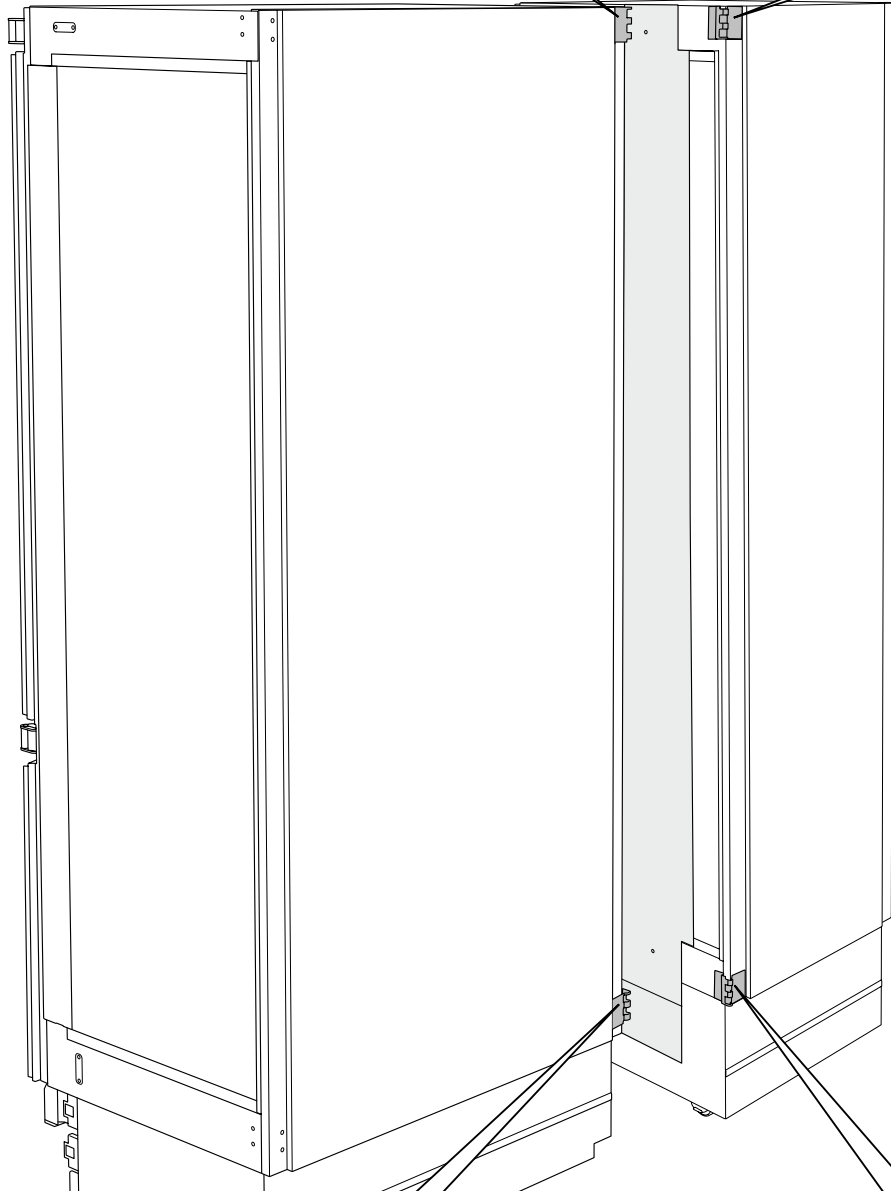
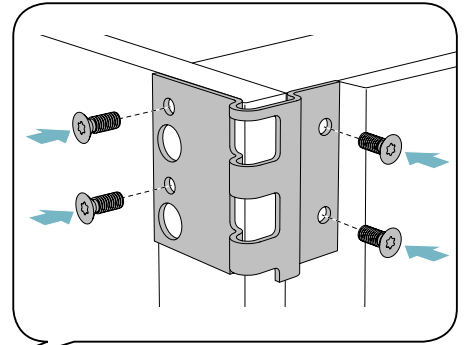
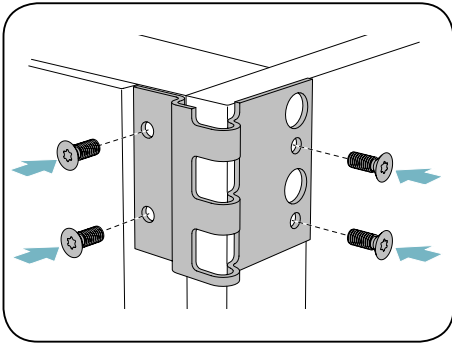
C

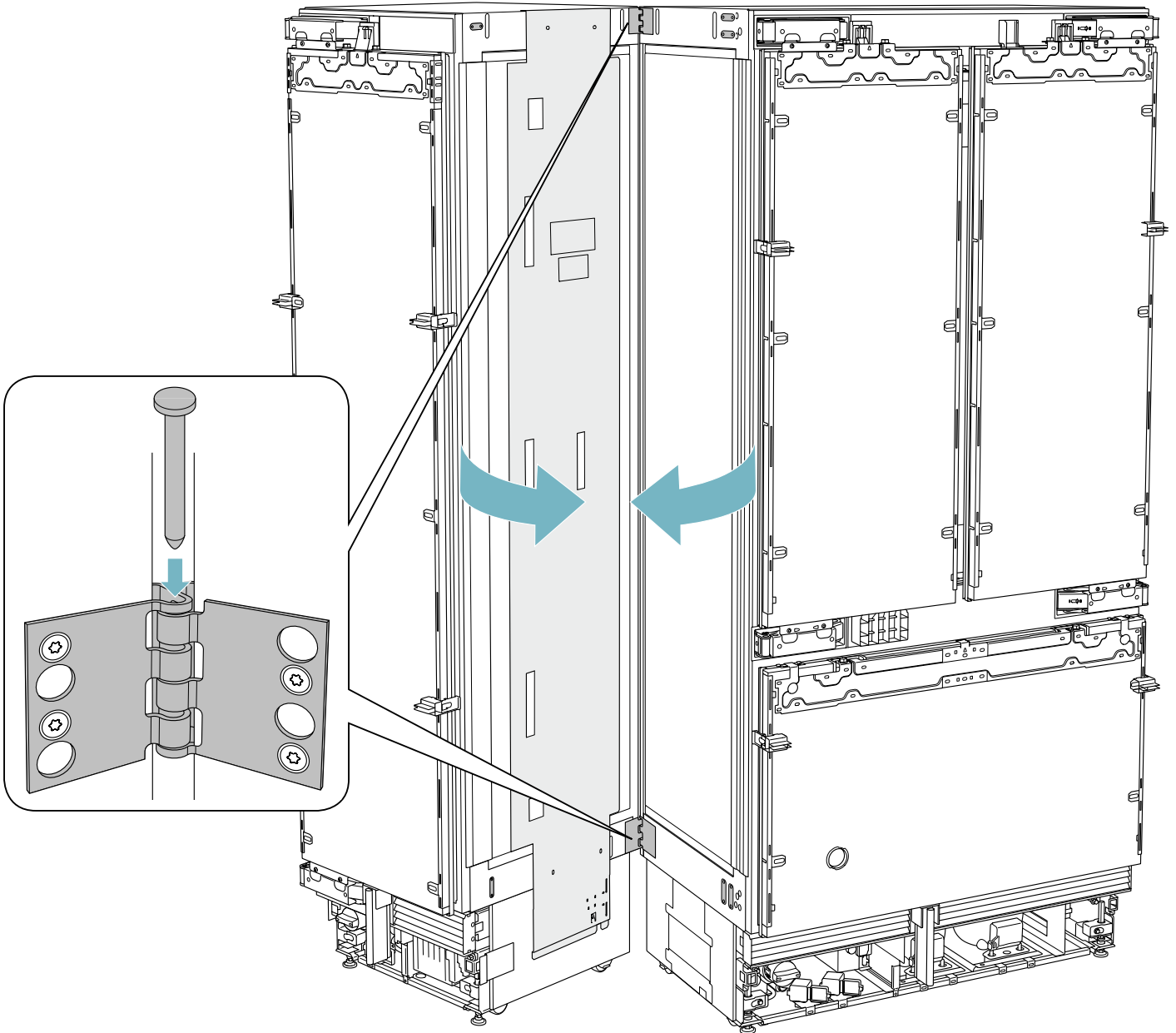
D

M5x16

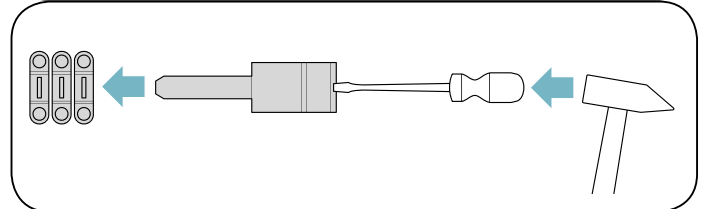
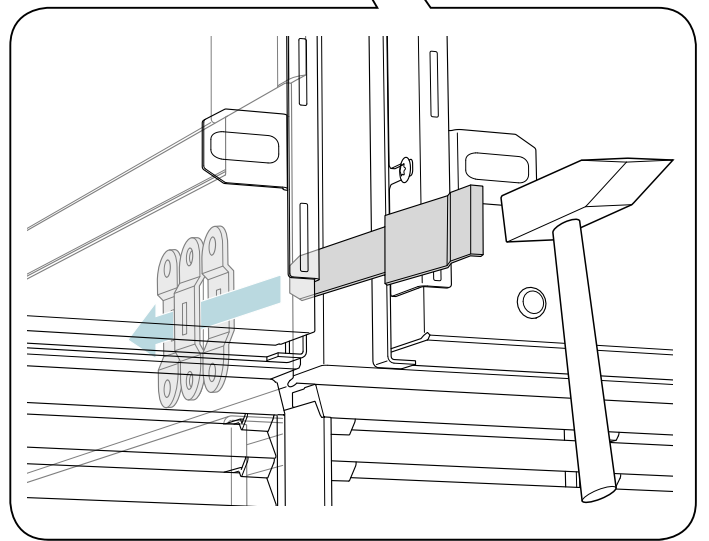
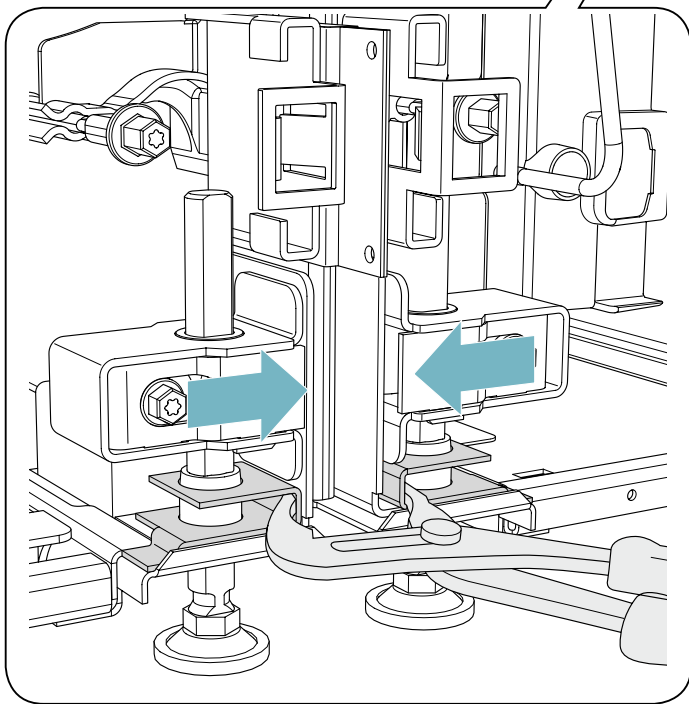
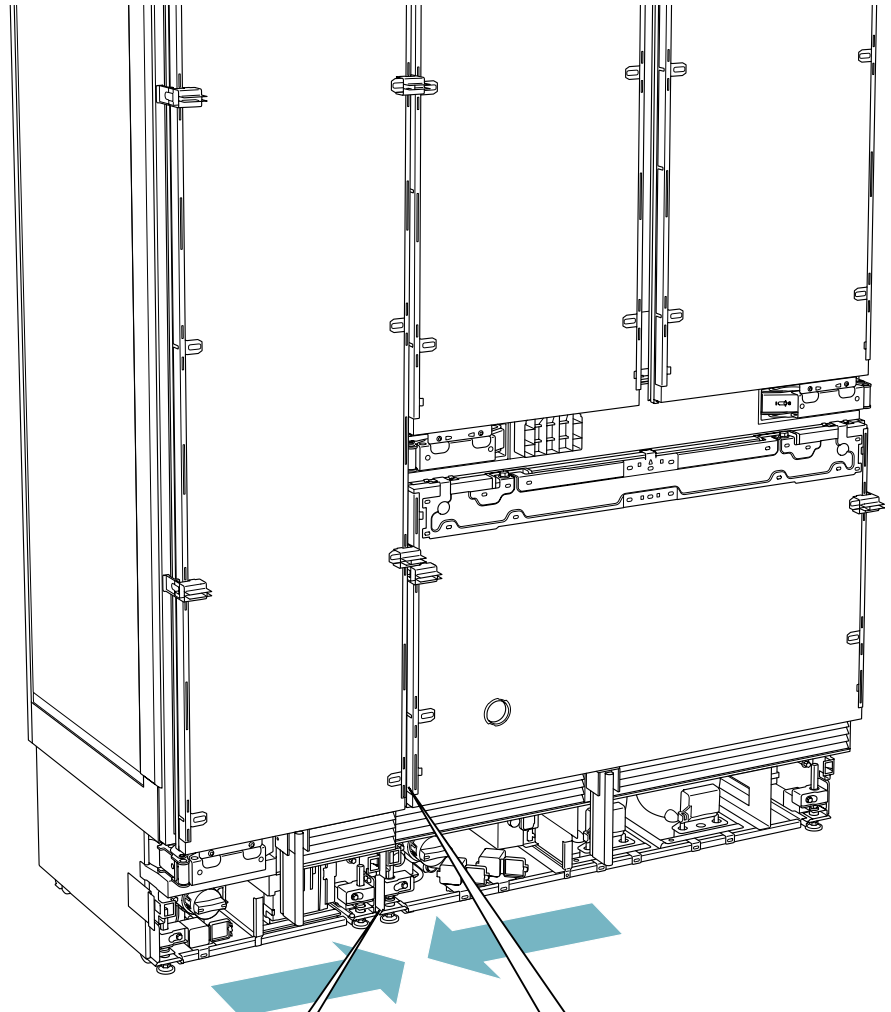
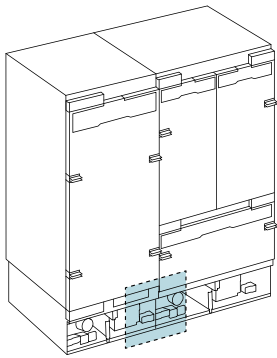


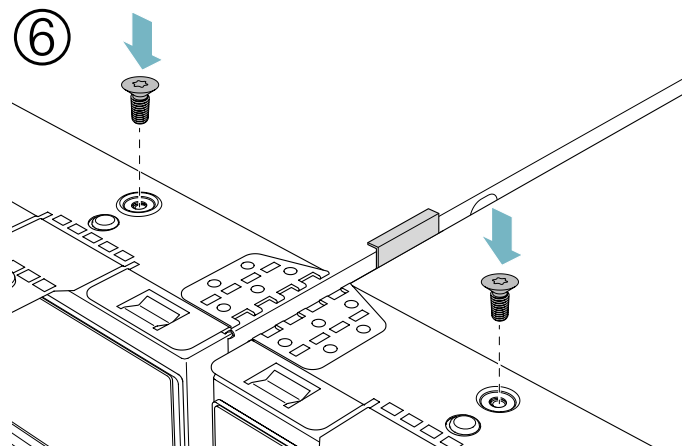
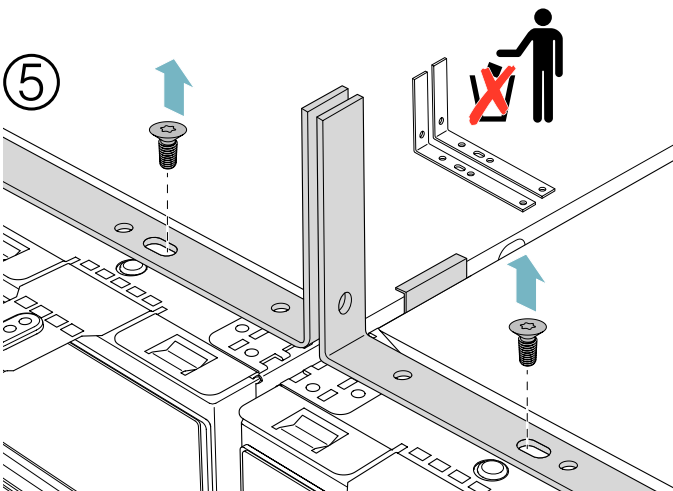
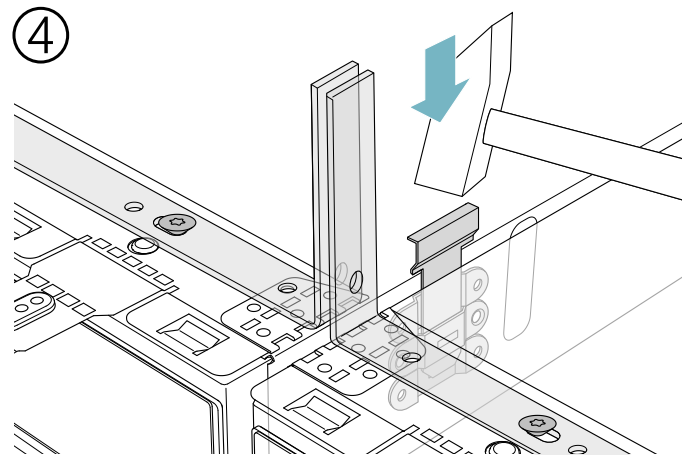
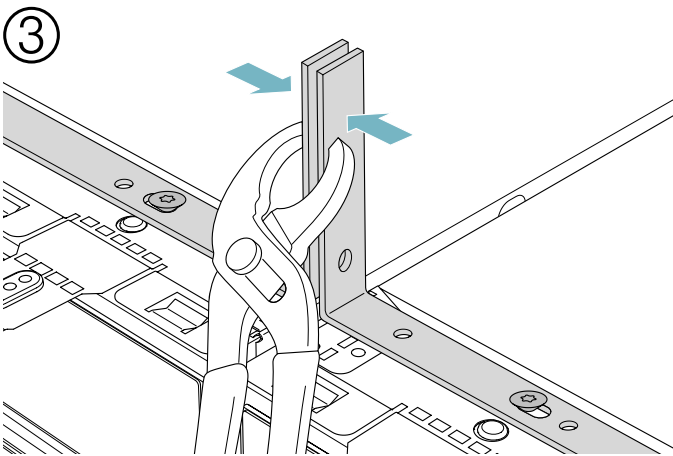
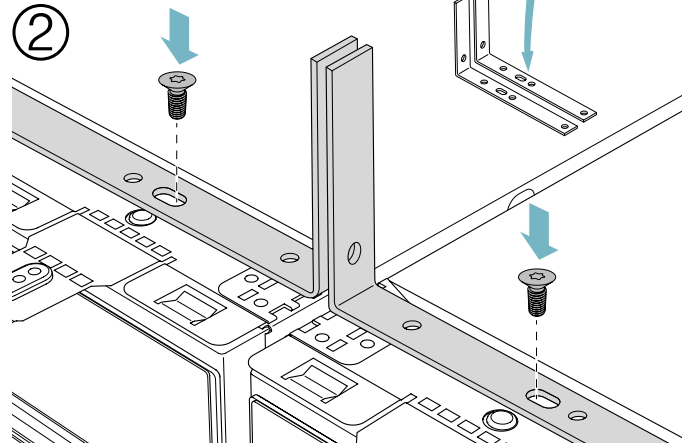
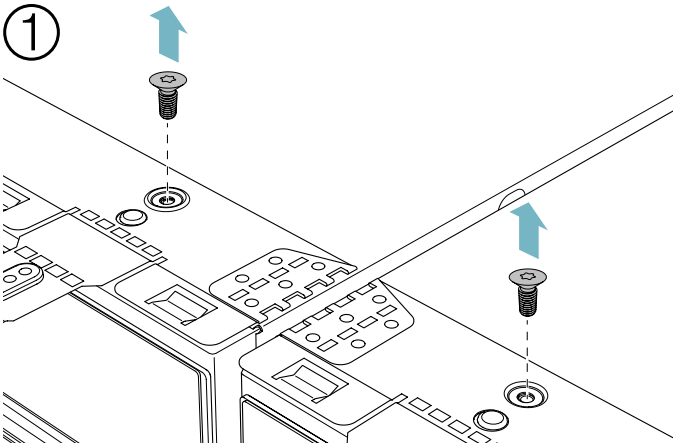
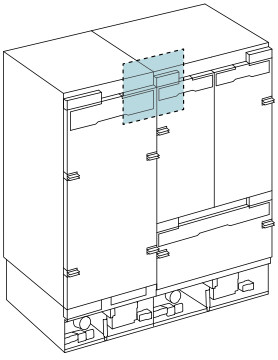
16x

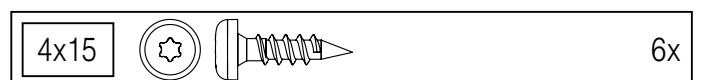
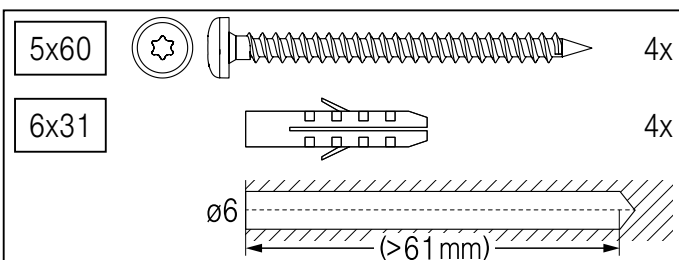
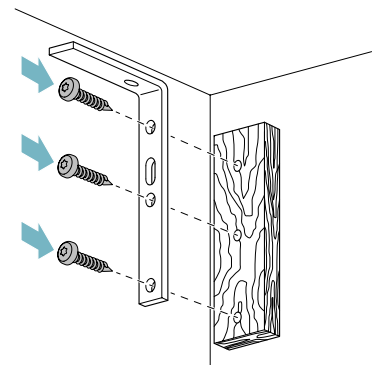
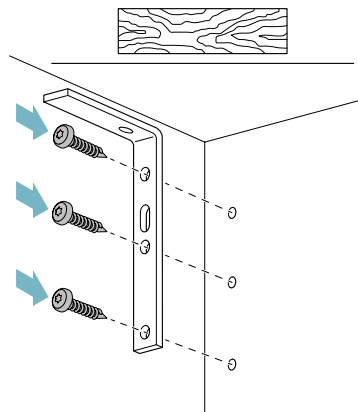
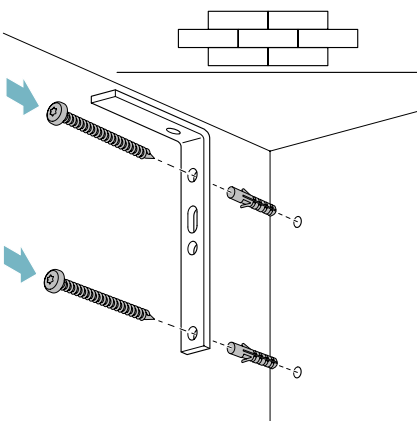
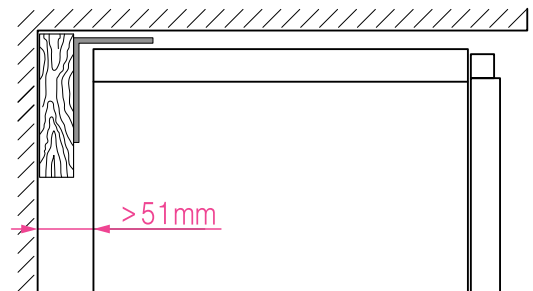
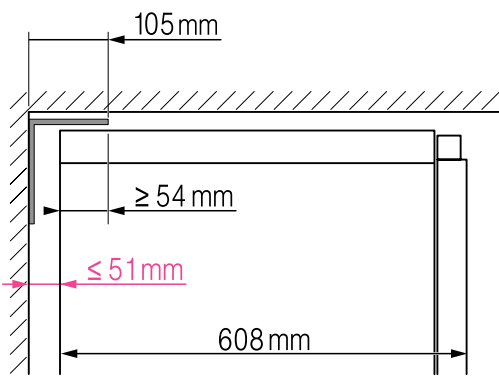
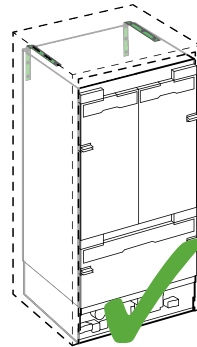
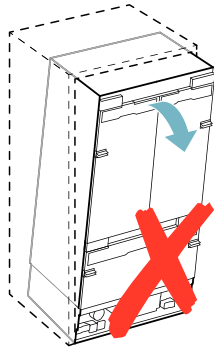
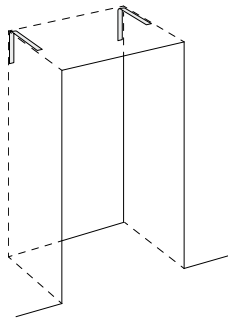


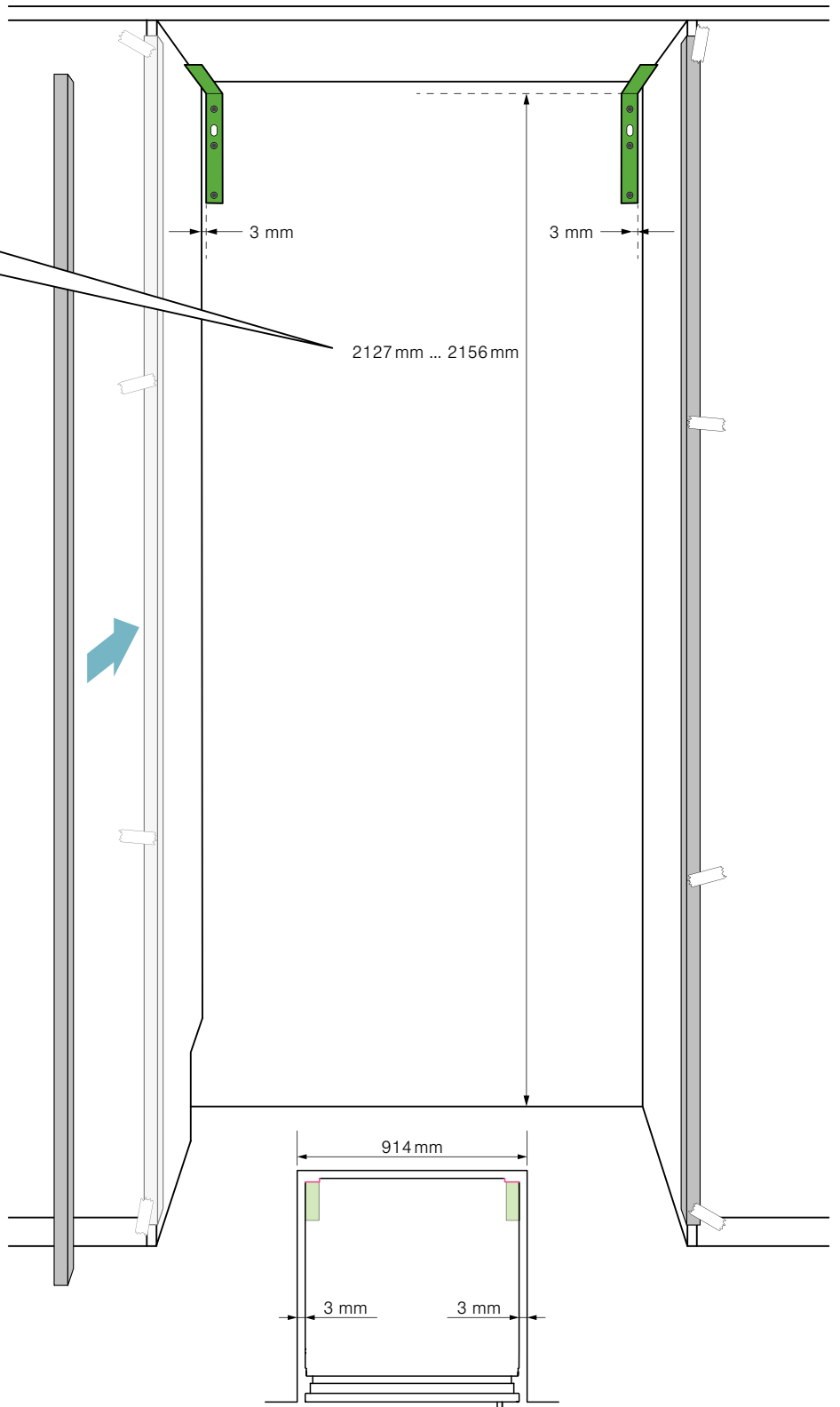
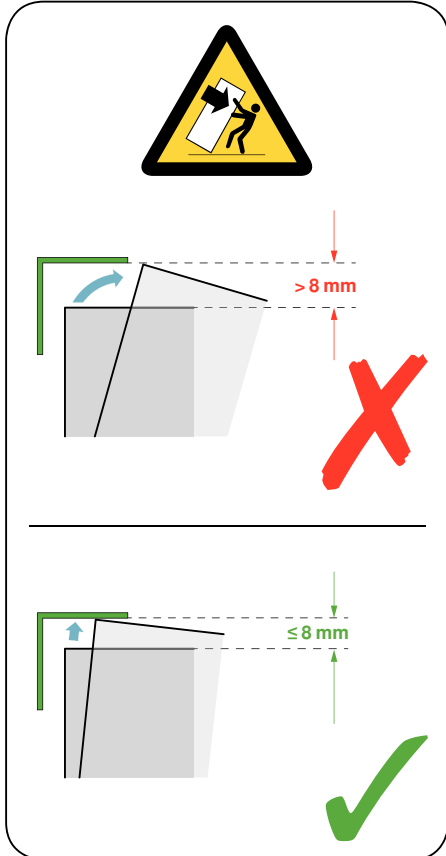
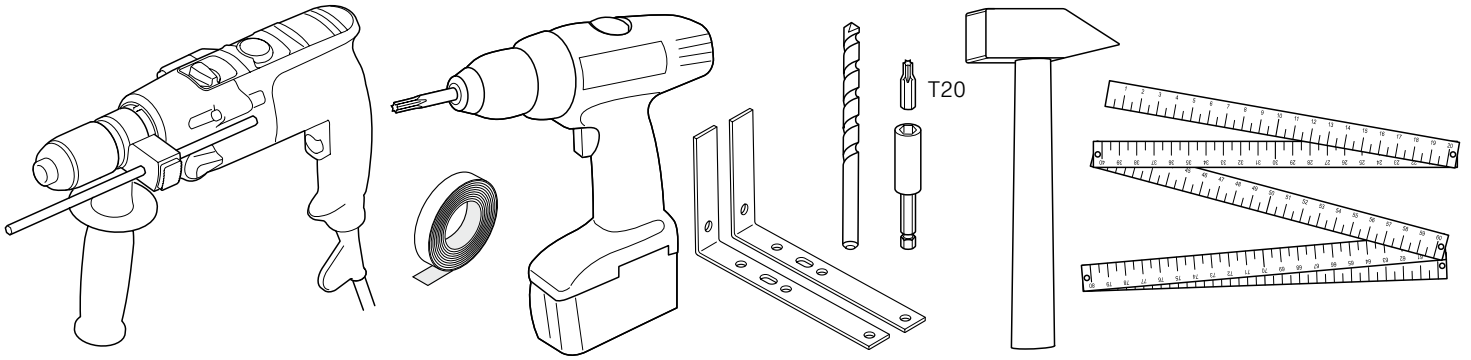


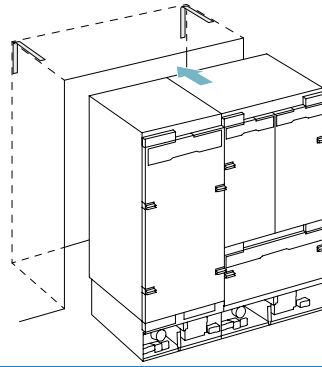
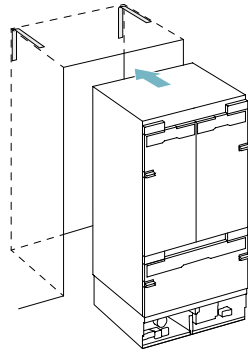
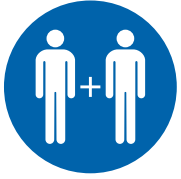
- A
- B
- C
- D



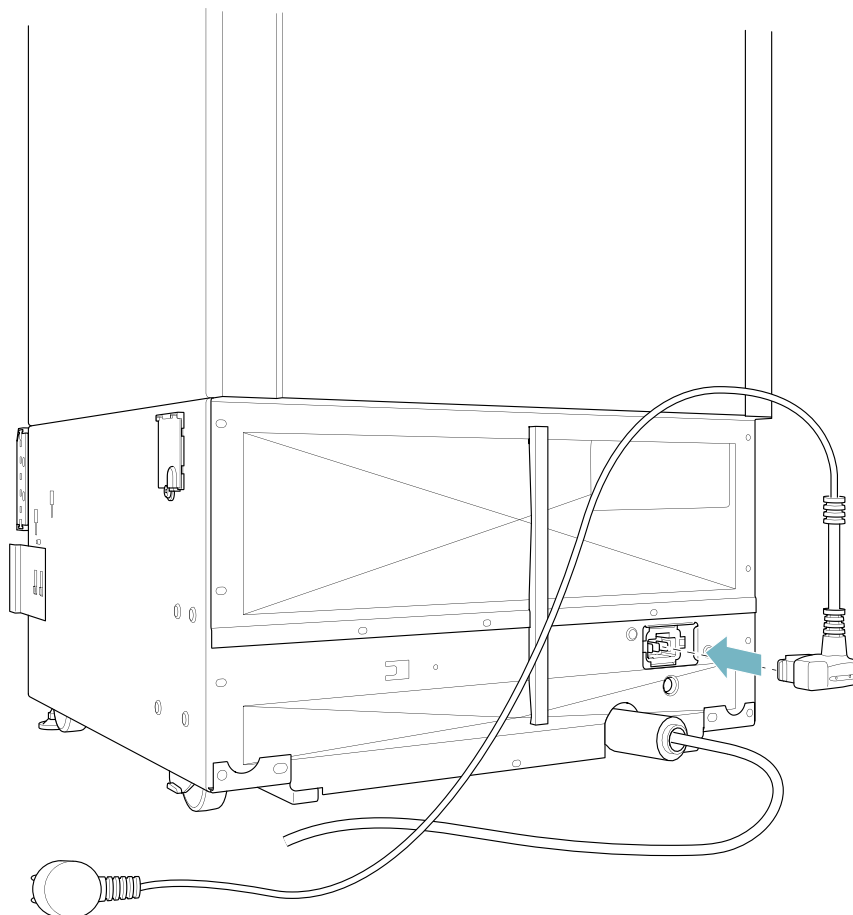
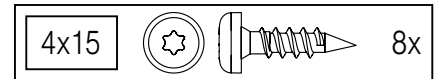
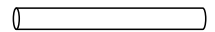
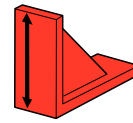
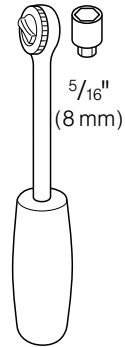
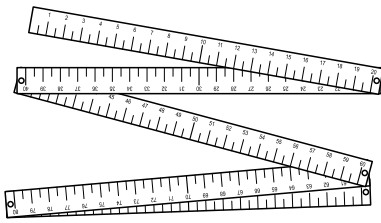
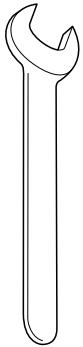
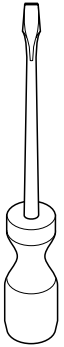
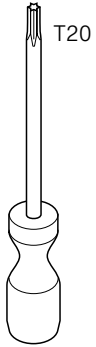




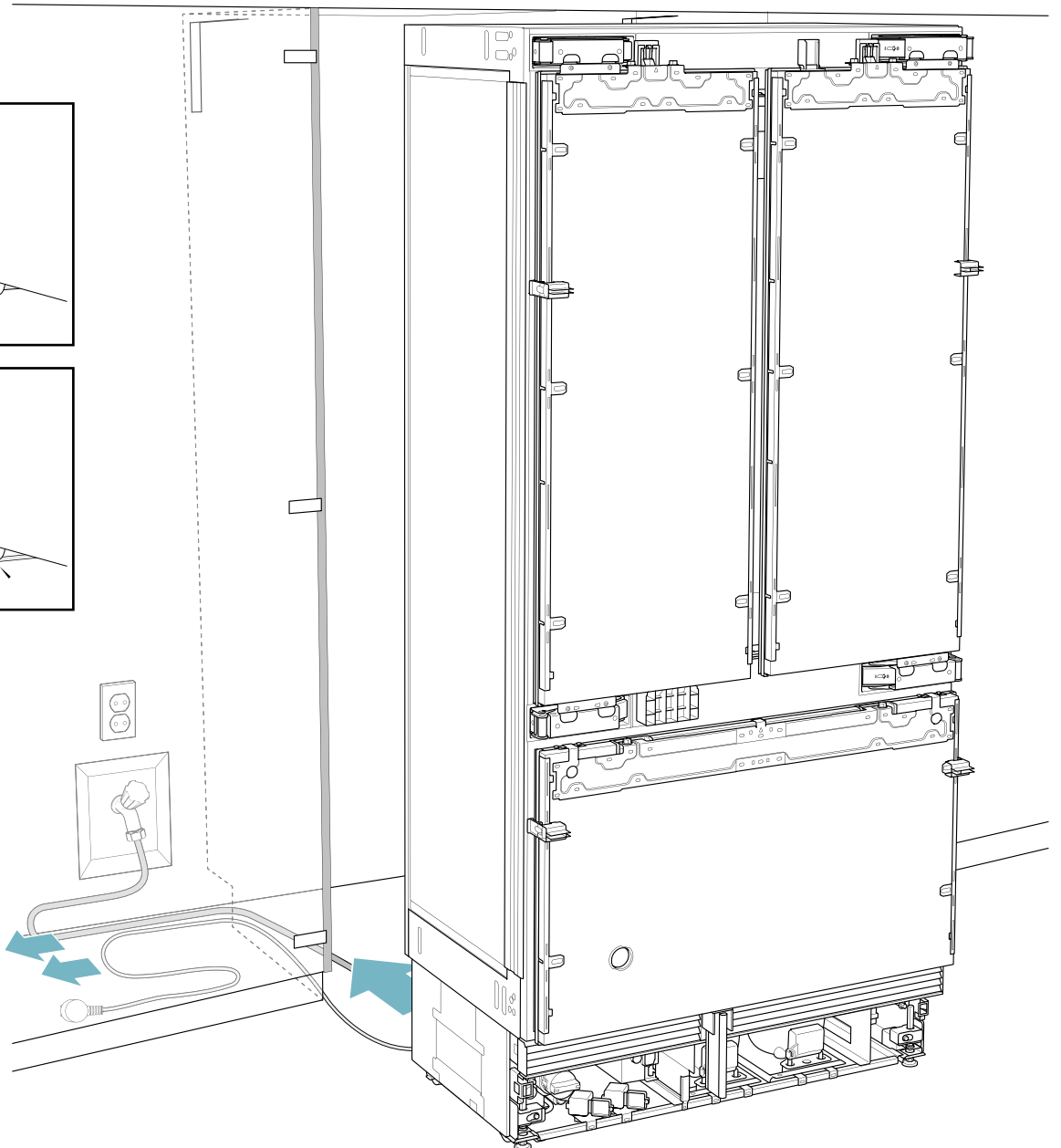
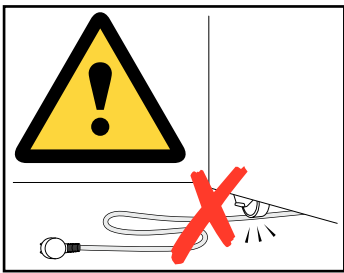
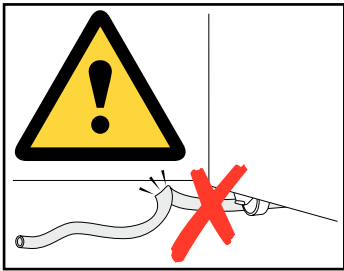
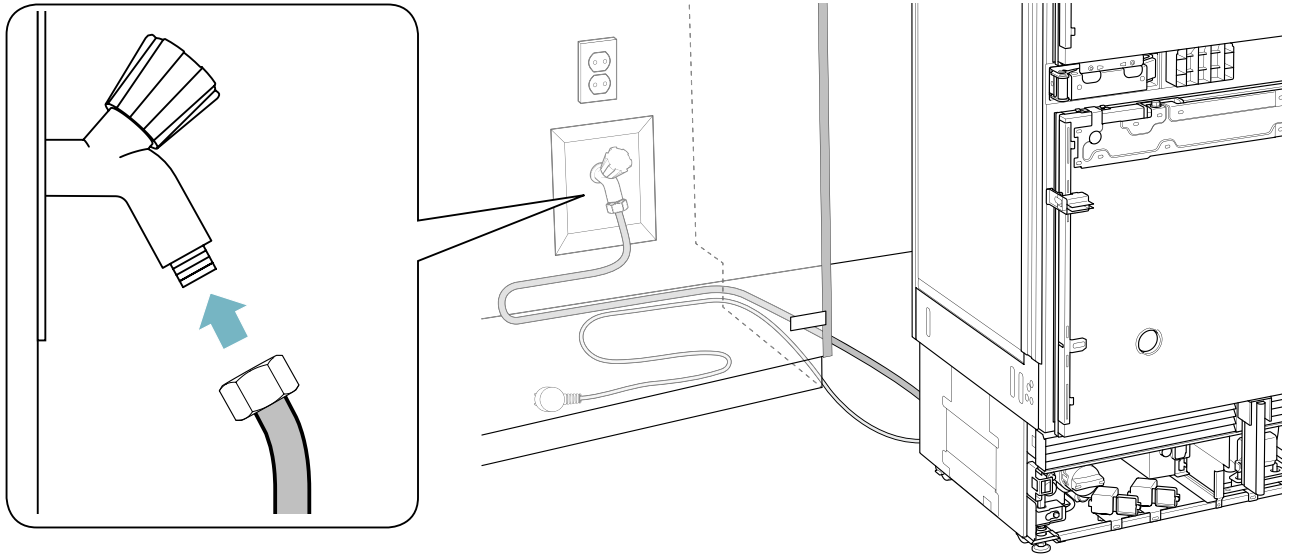


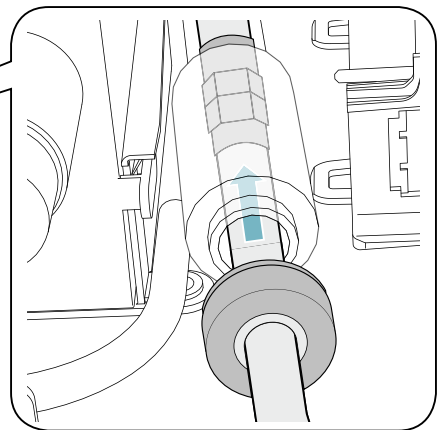
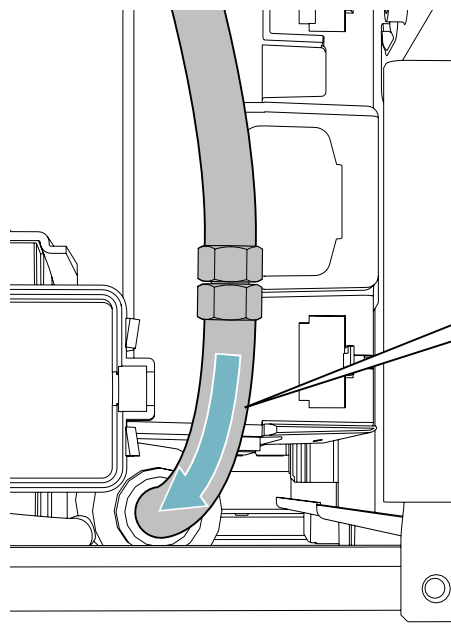
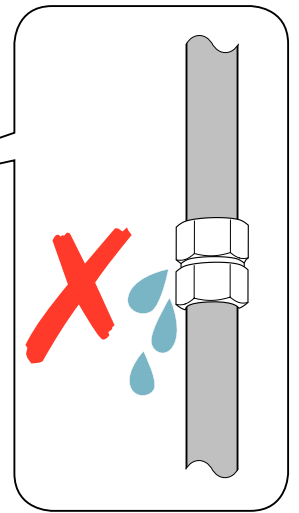
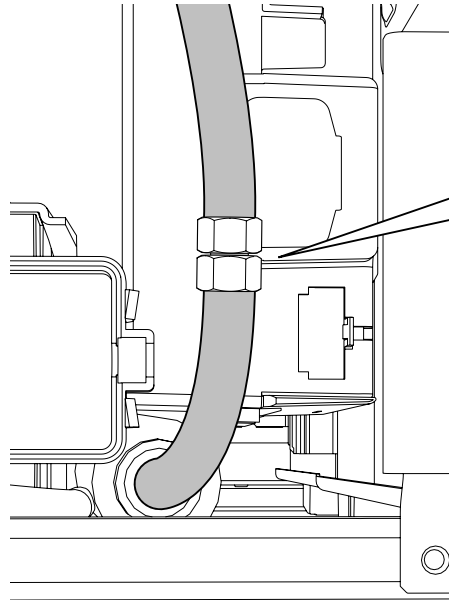
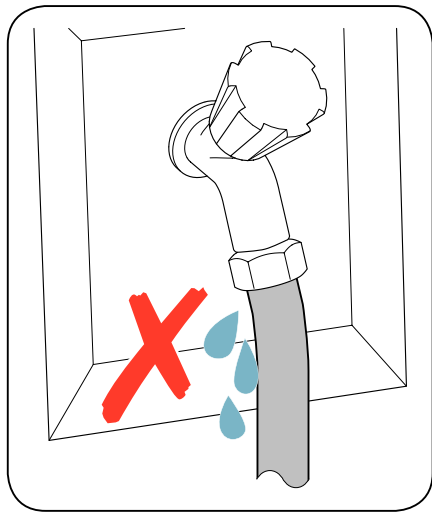
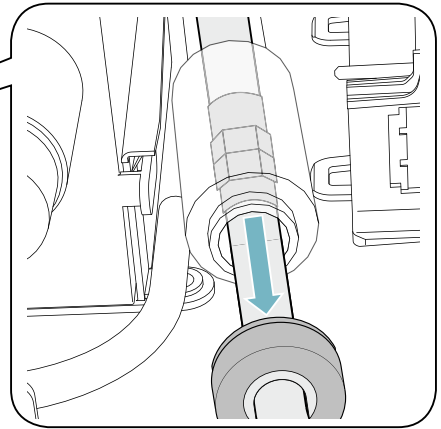
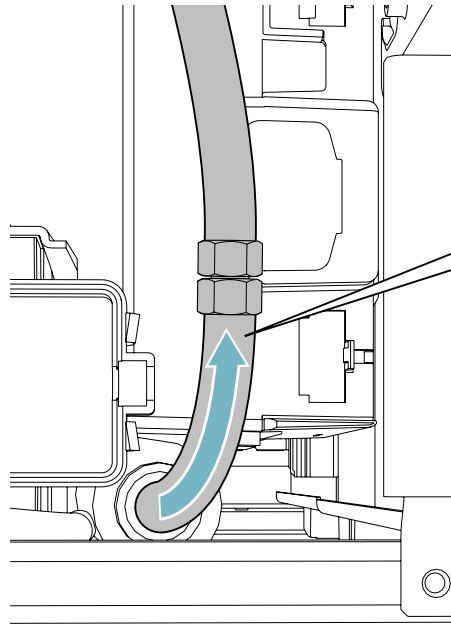
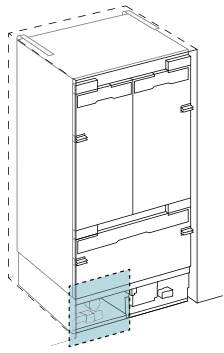


A
B
C
D

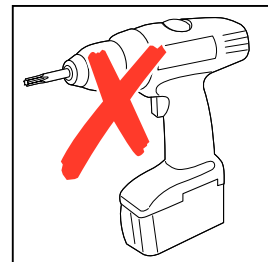
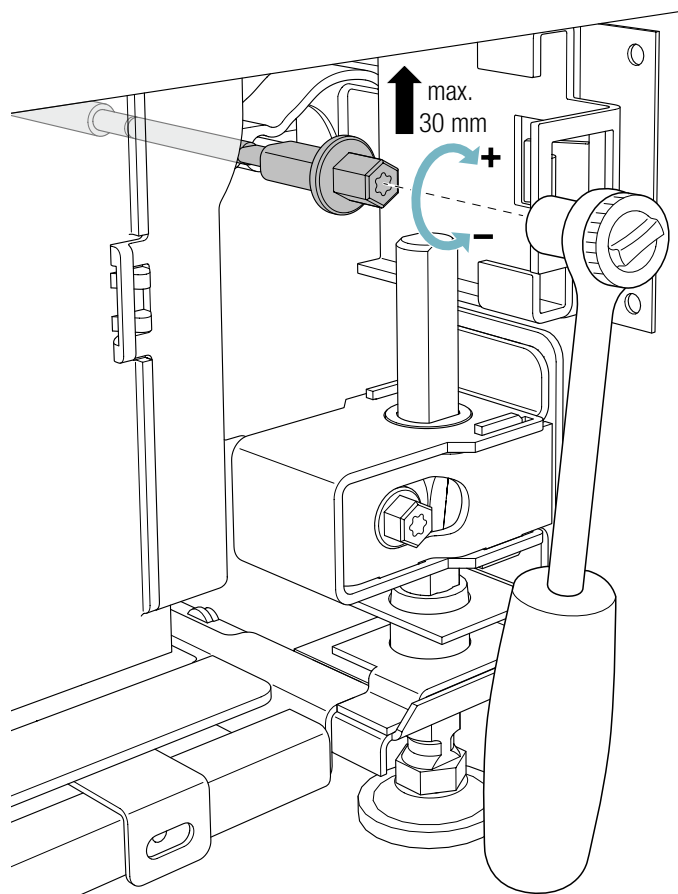
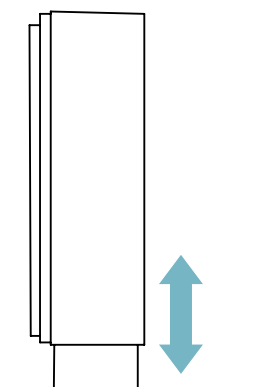
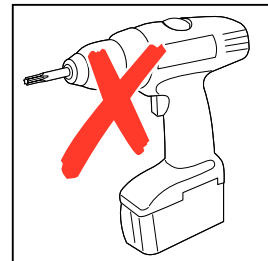
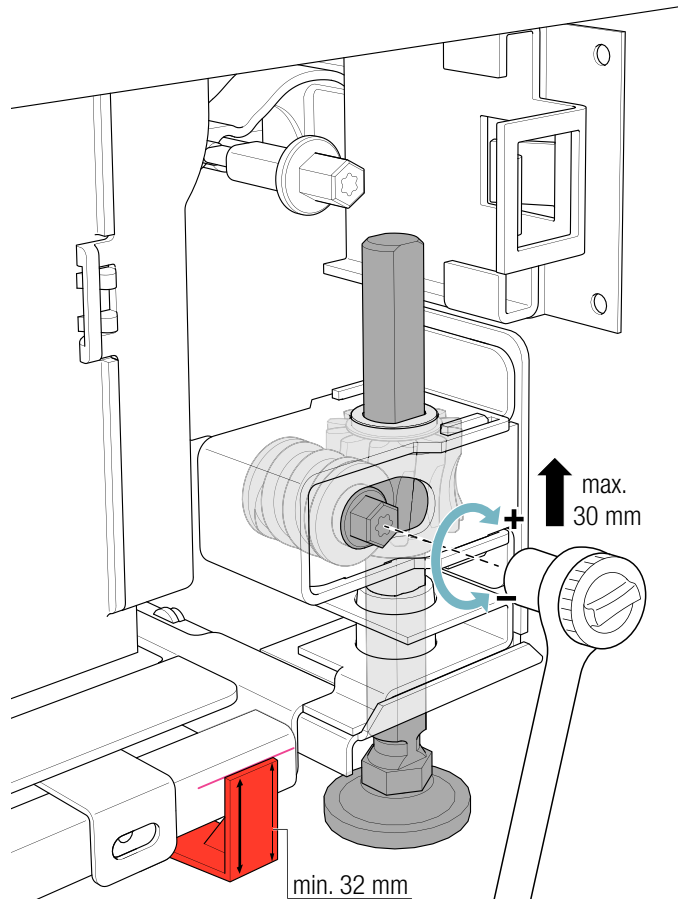
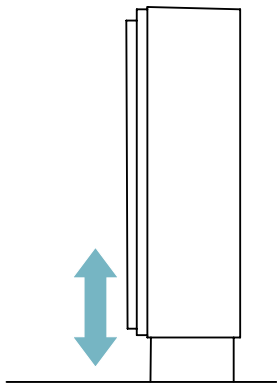
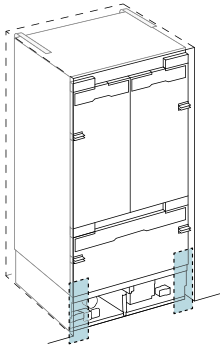


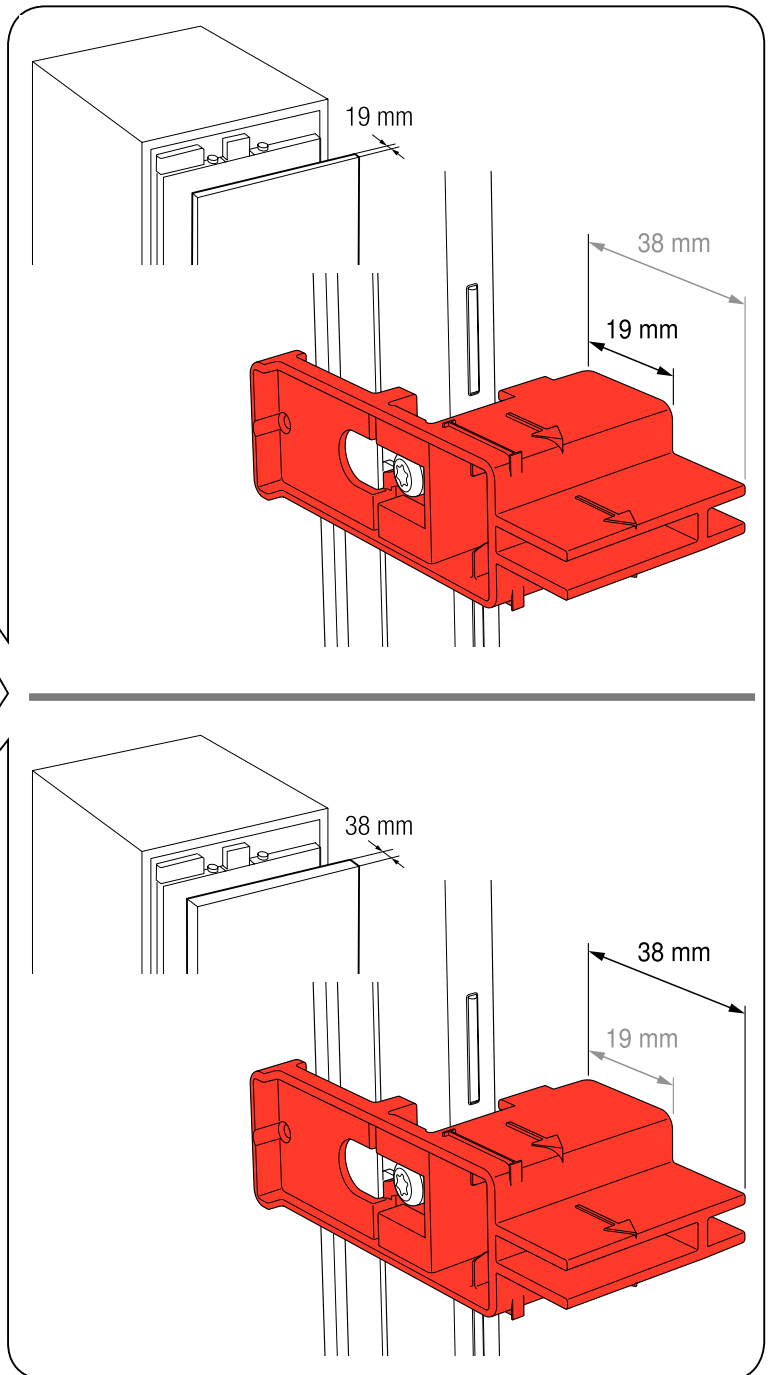
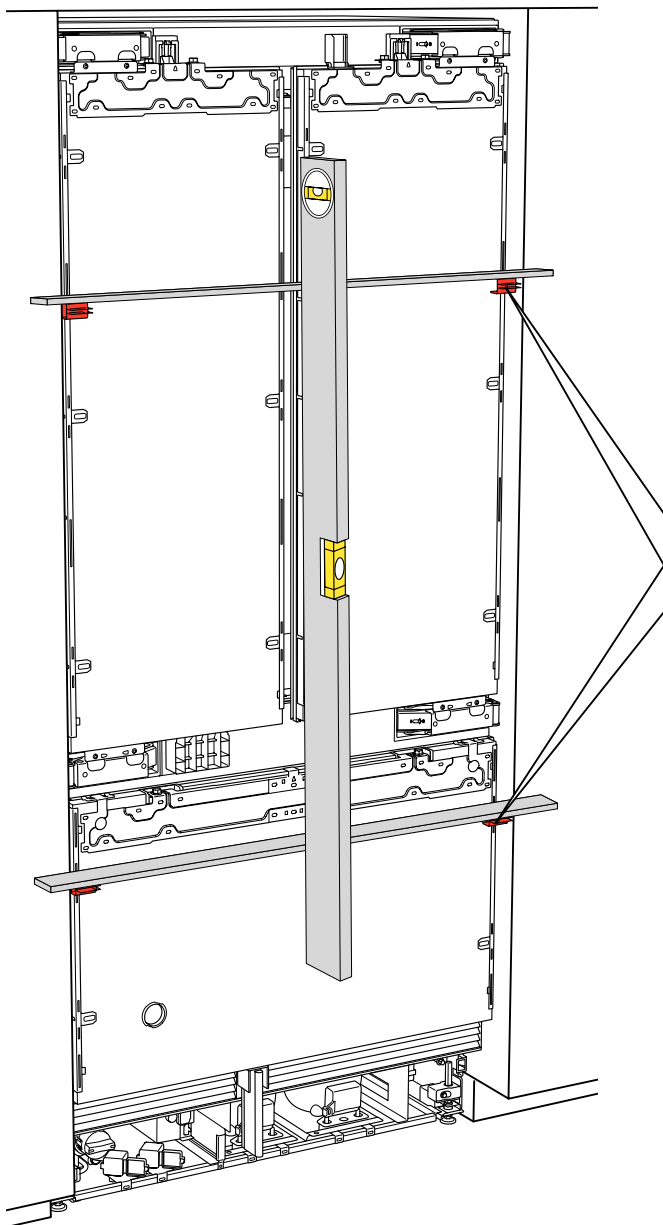
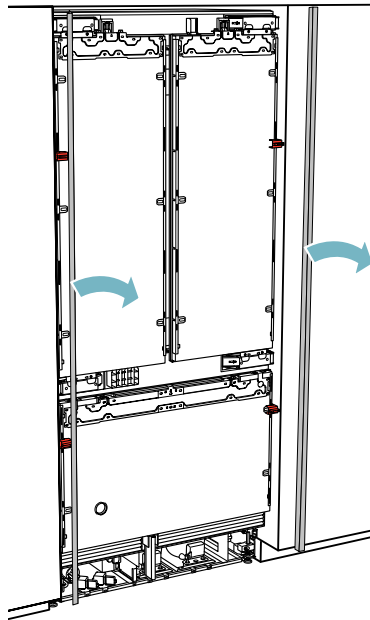
A
B
C
D




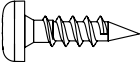


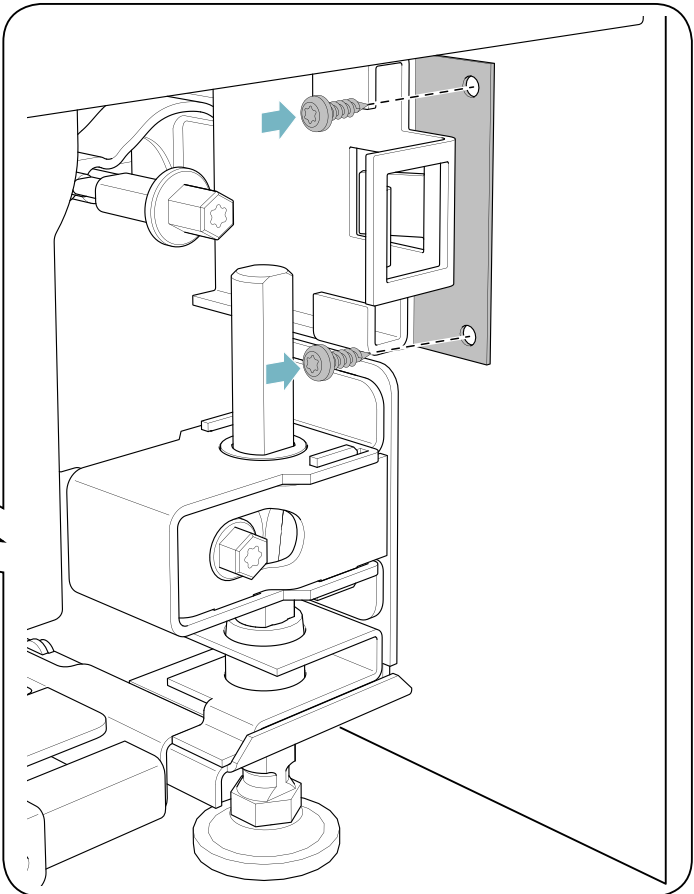
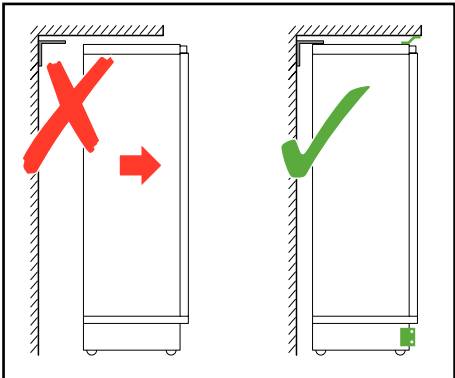
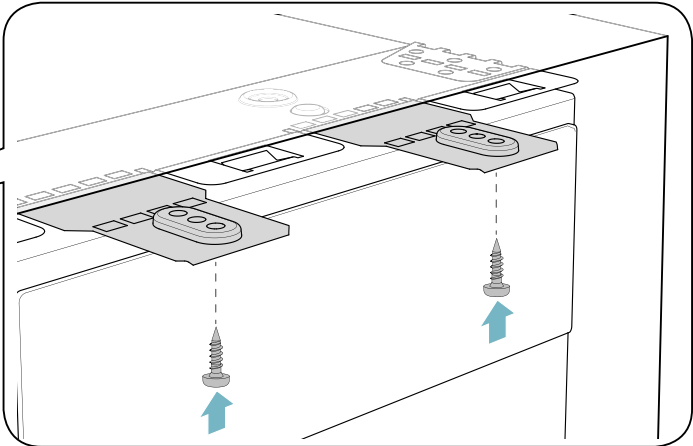
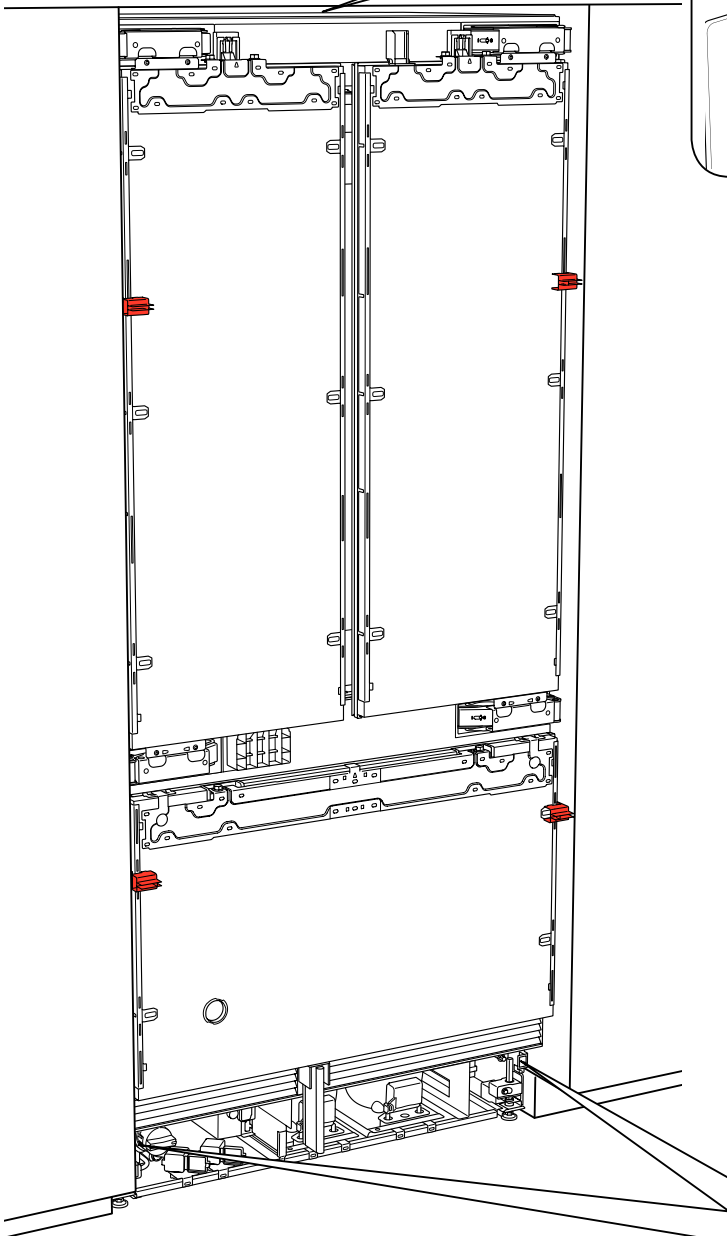
- A
- B
- C
- D

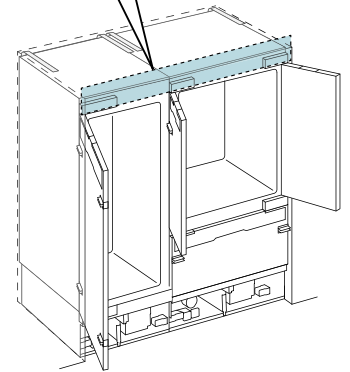
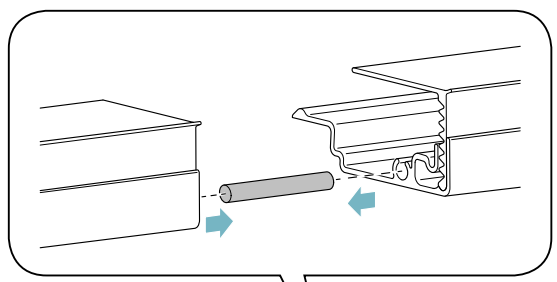
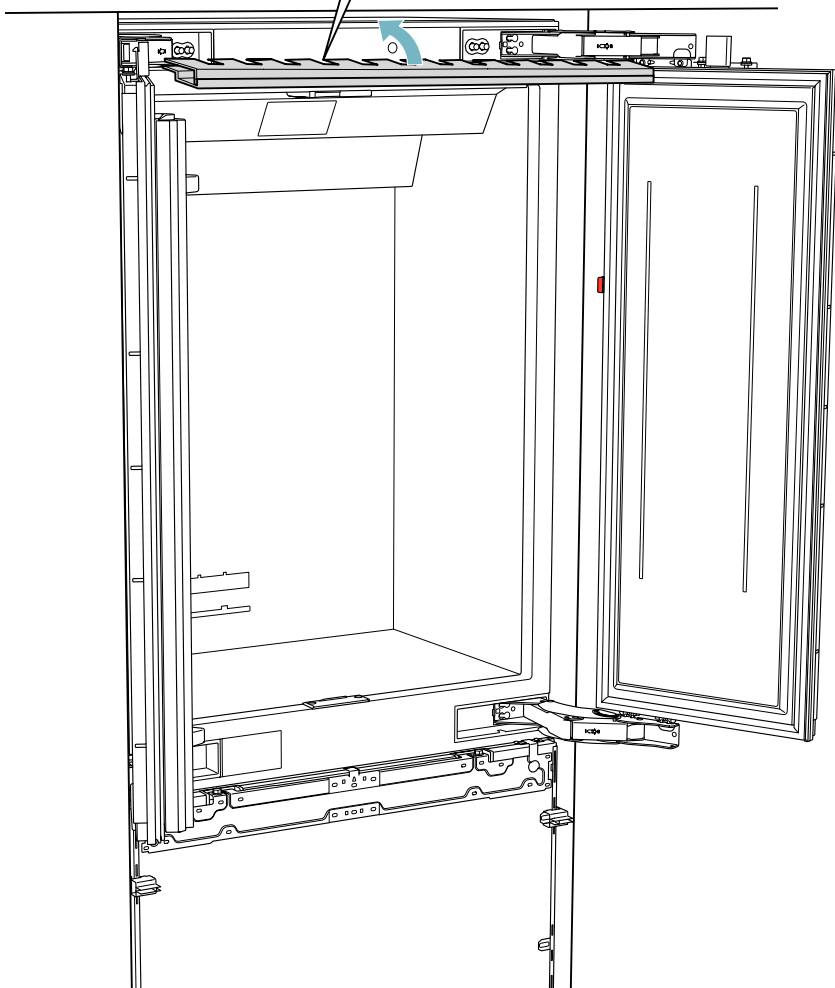
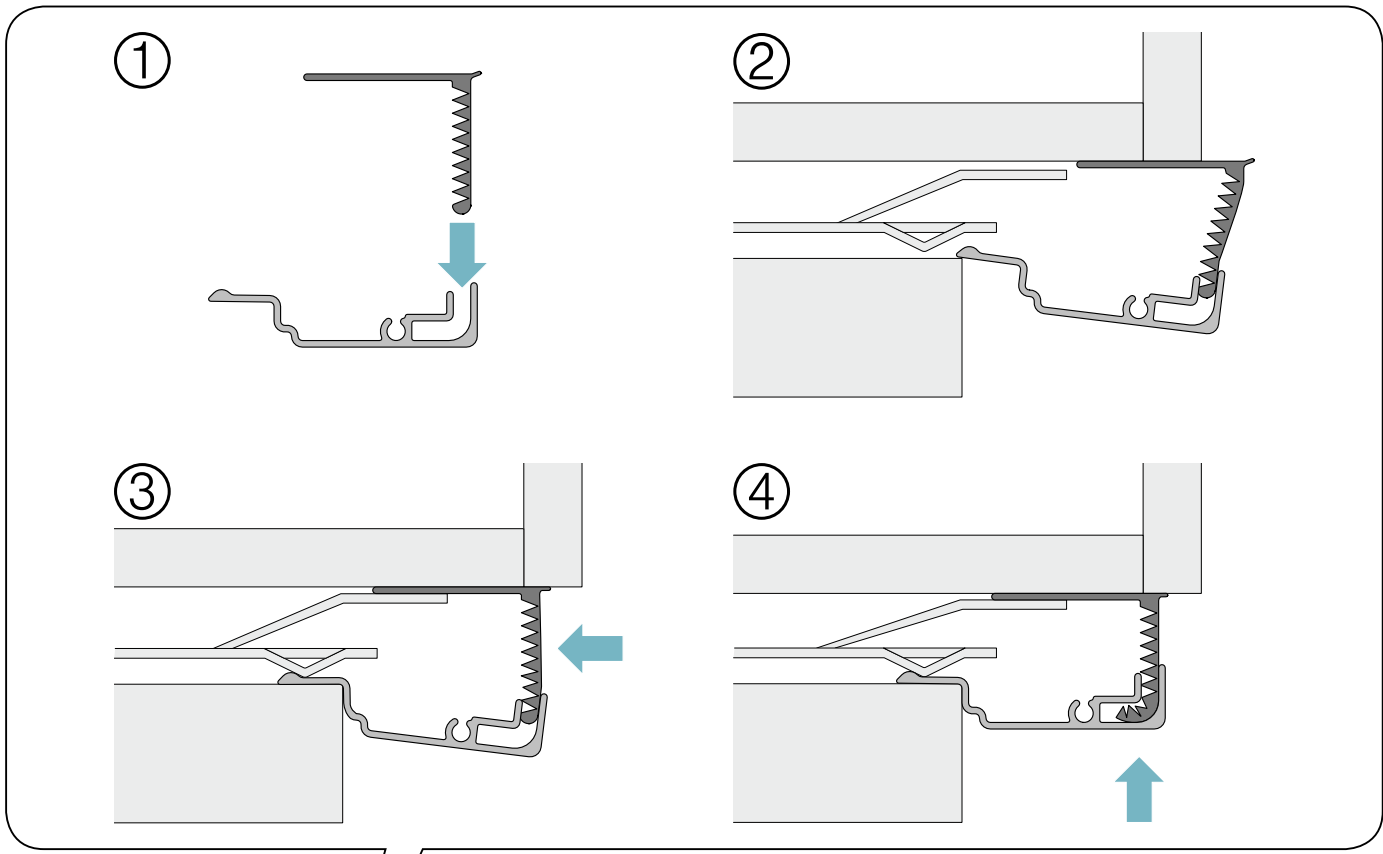




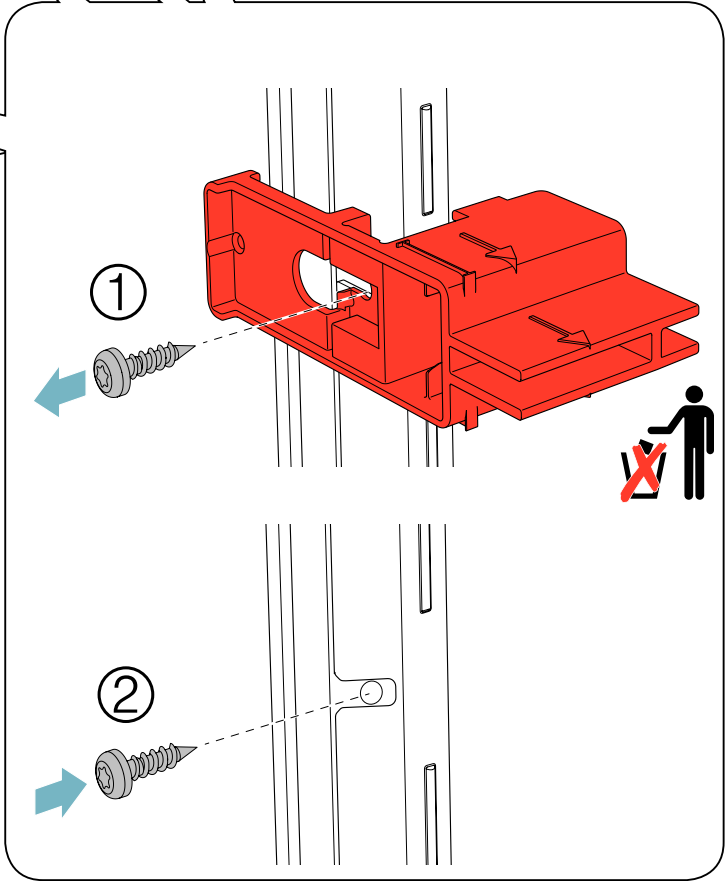
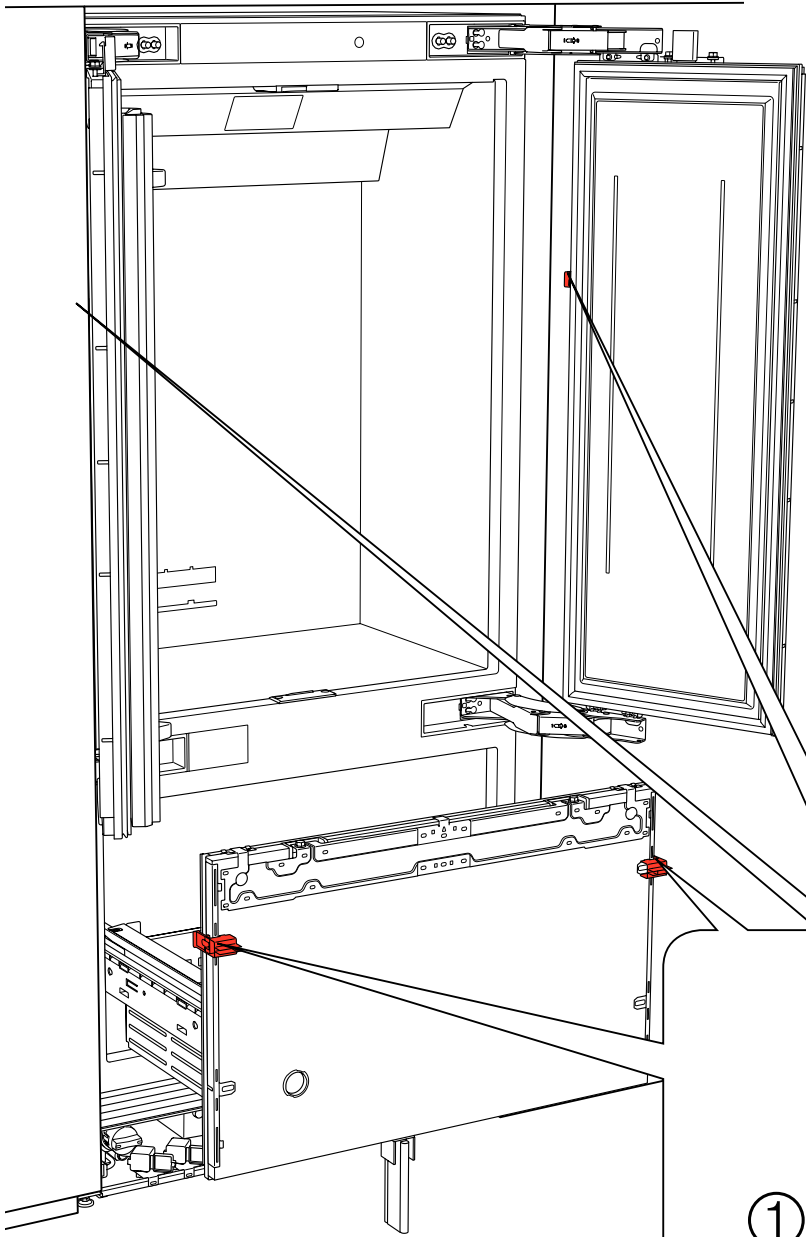
A
B
C
D

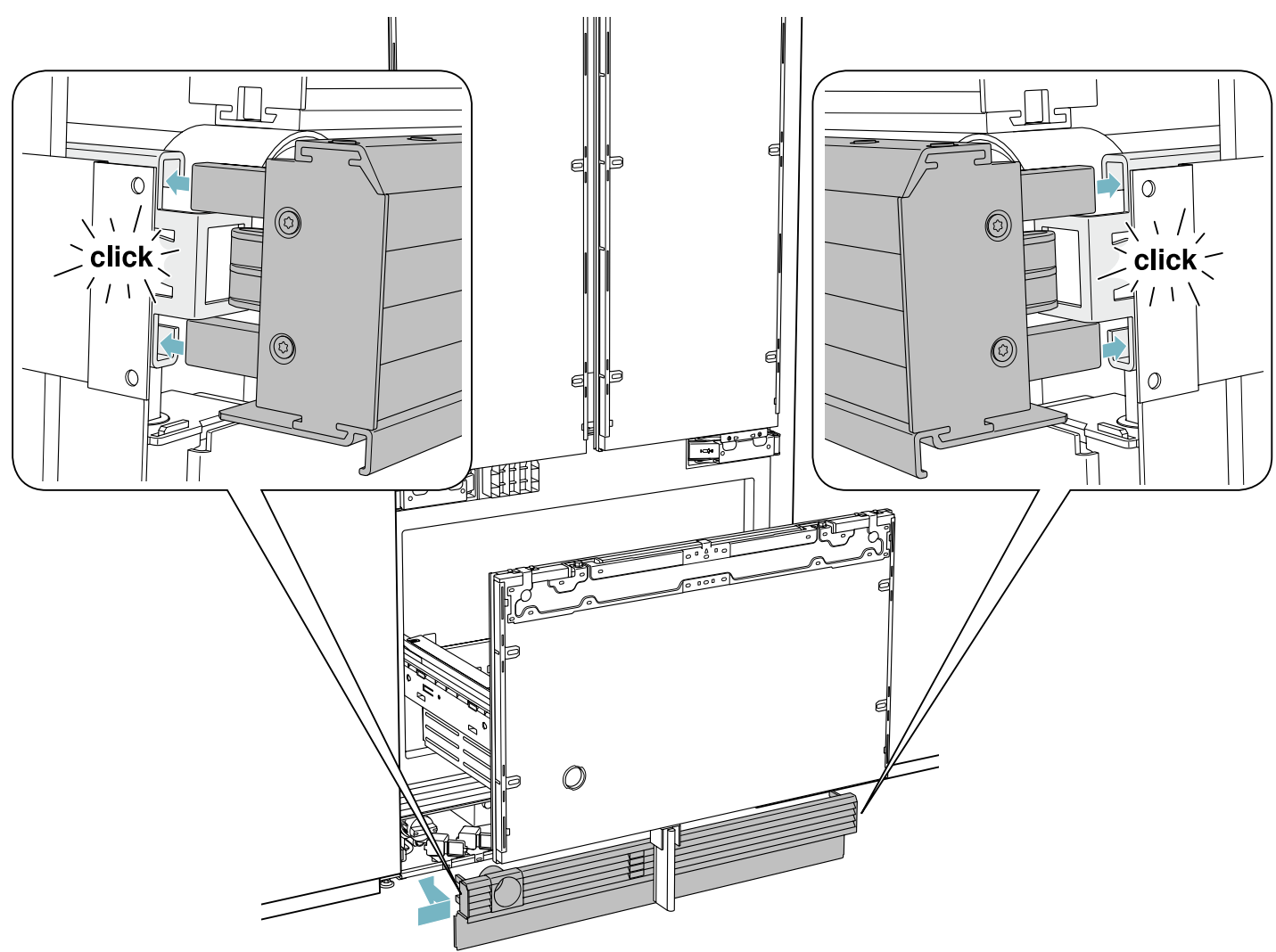
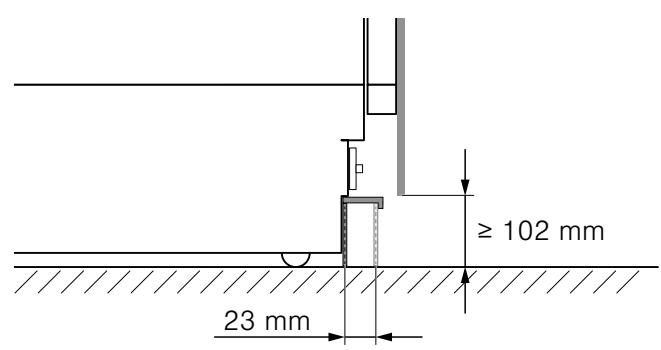
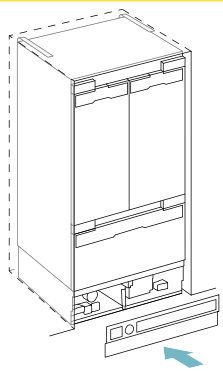
4x15   8x



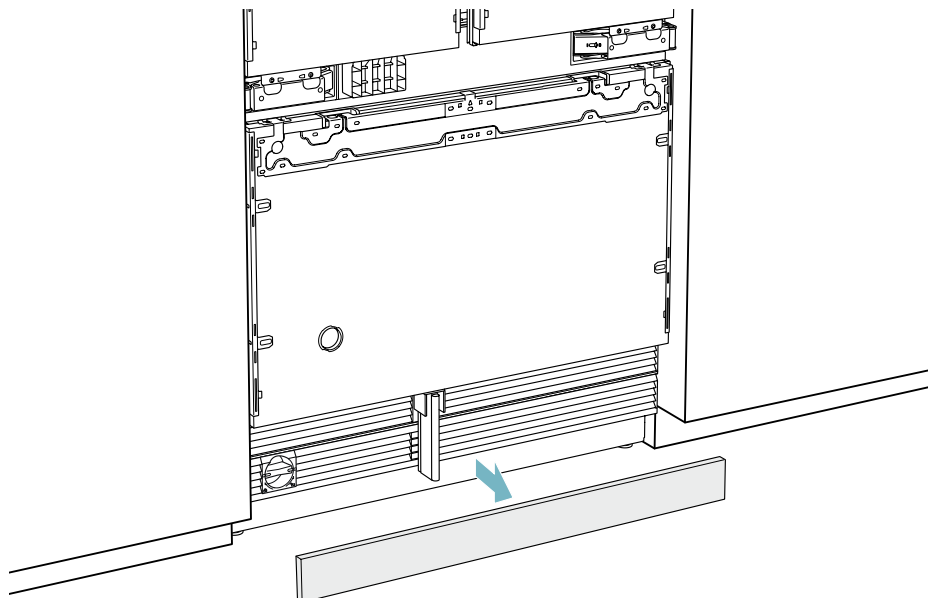
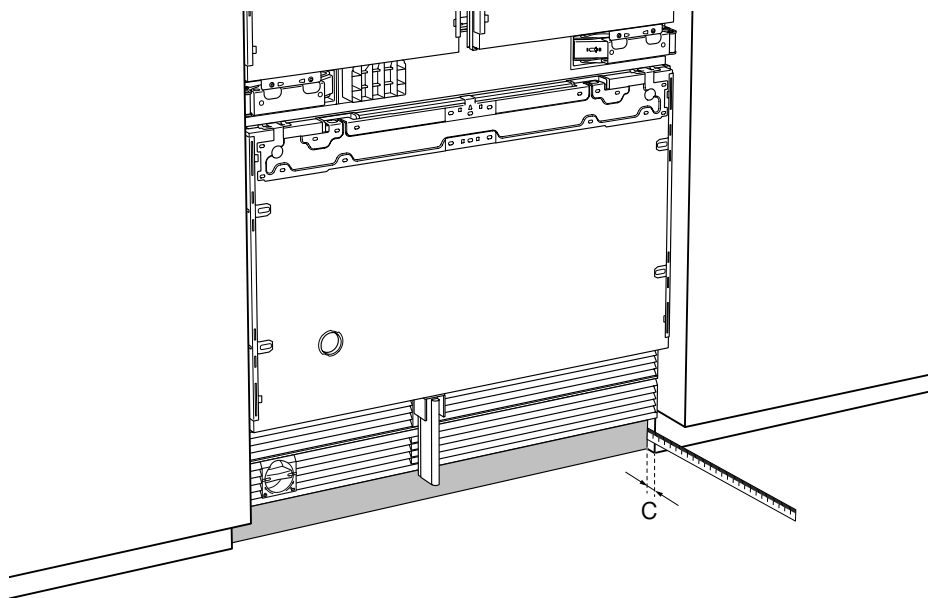
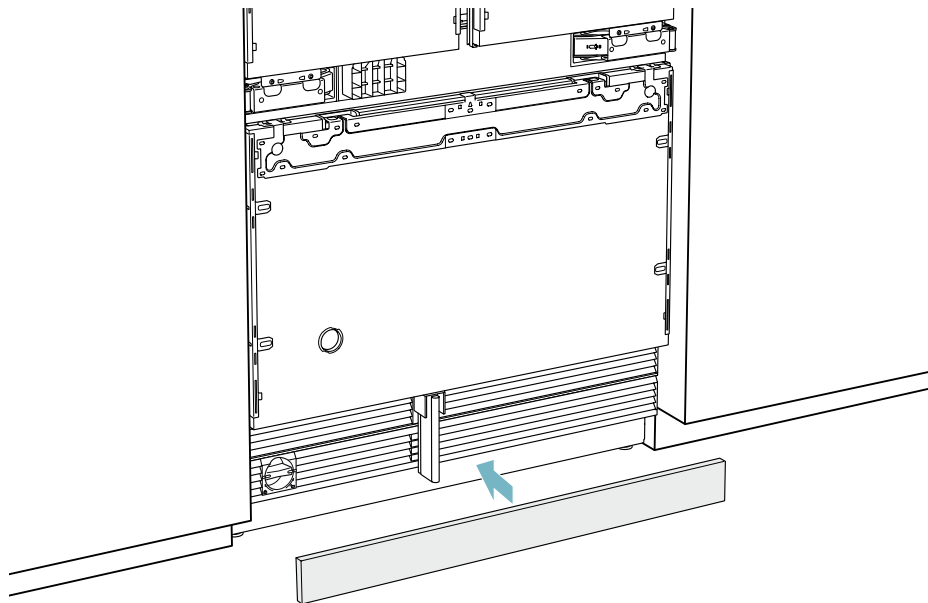


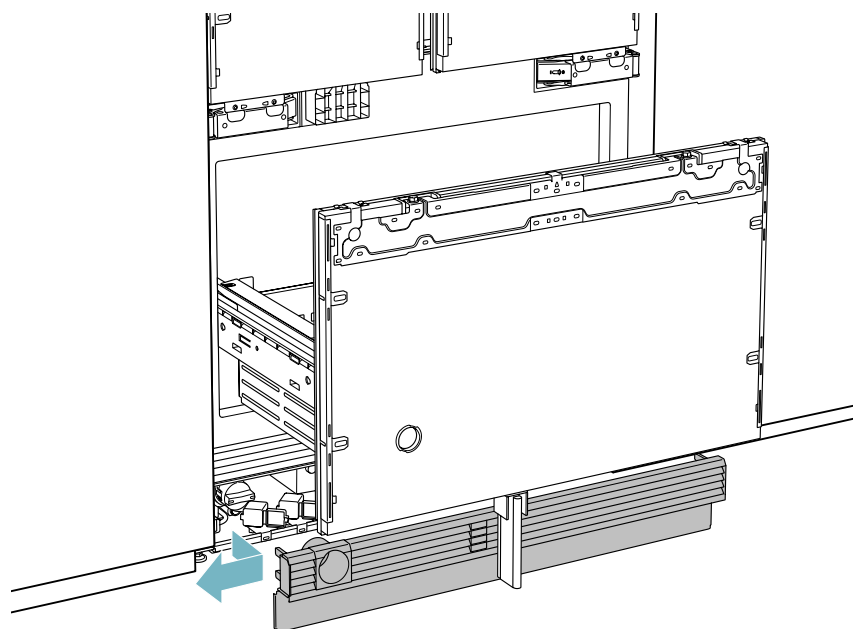
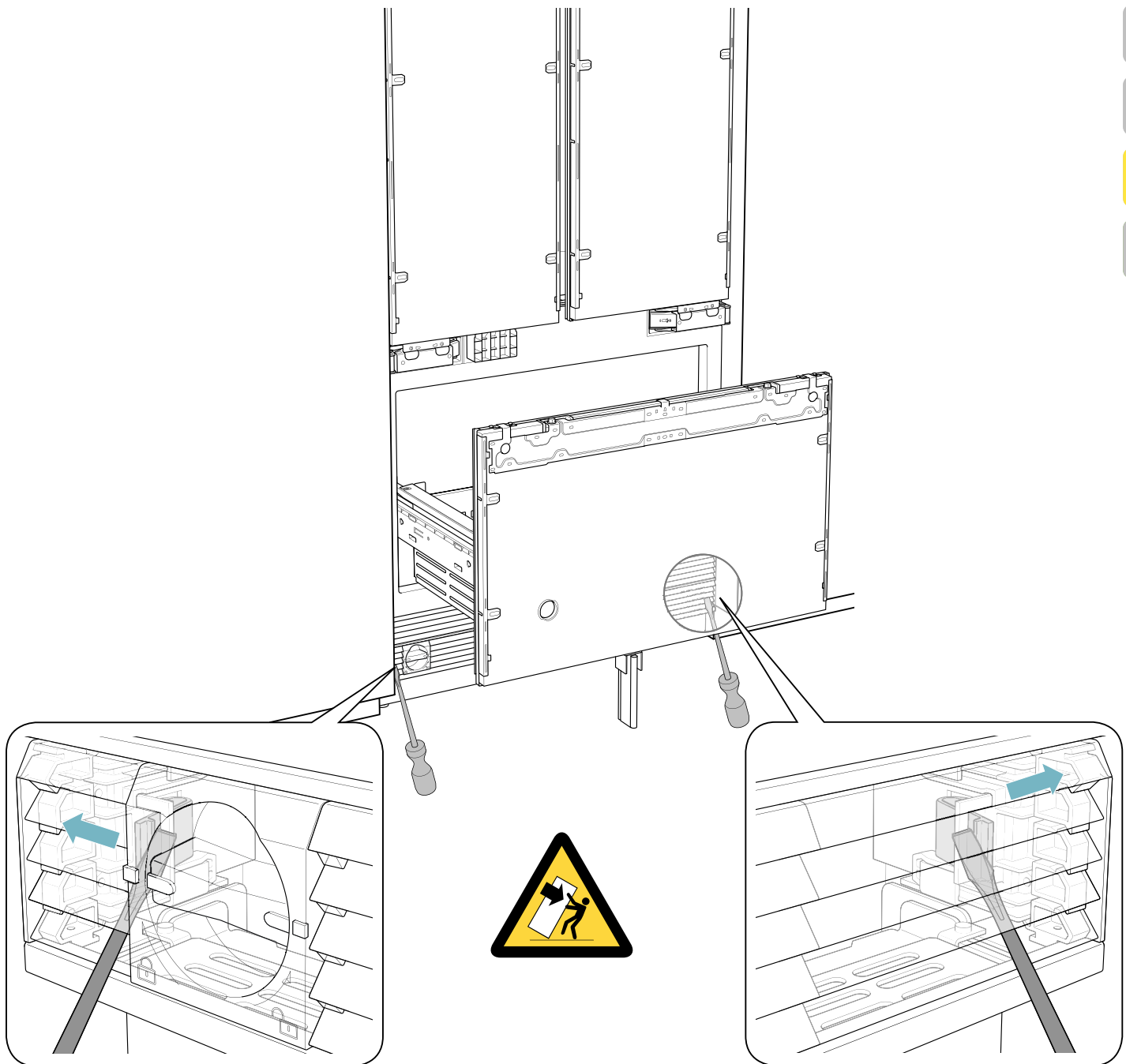
A
B
C
D



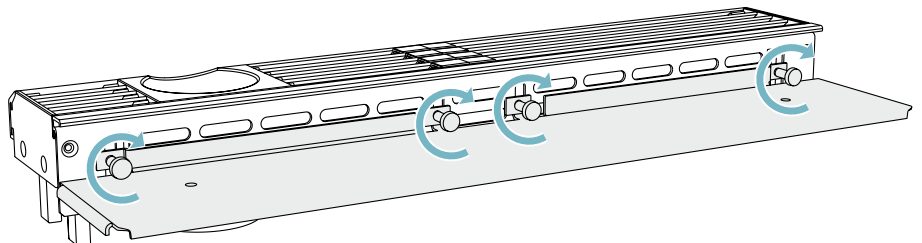
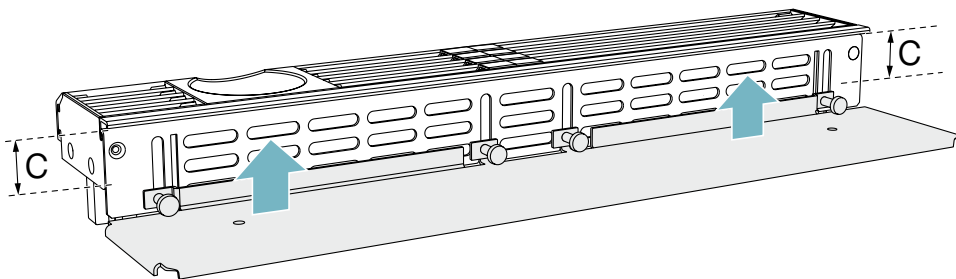
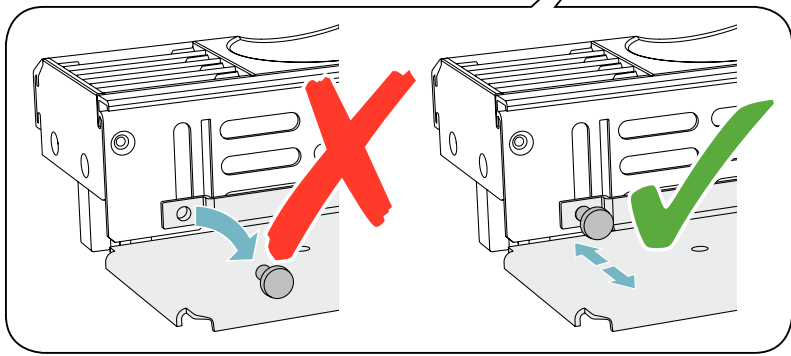
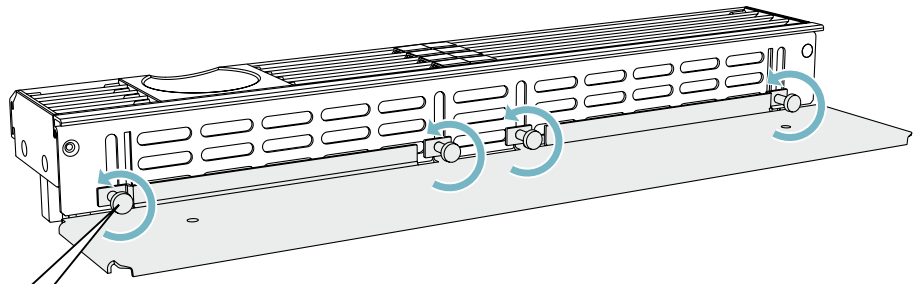
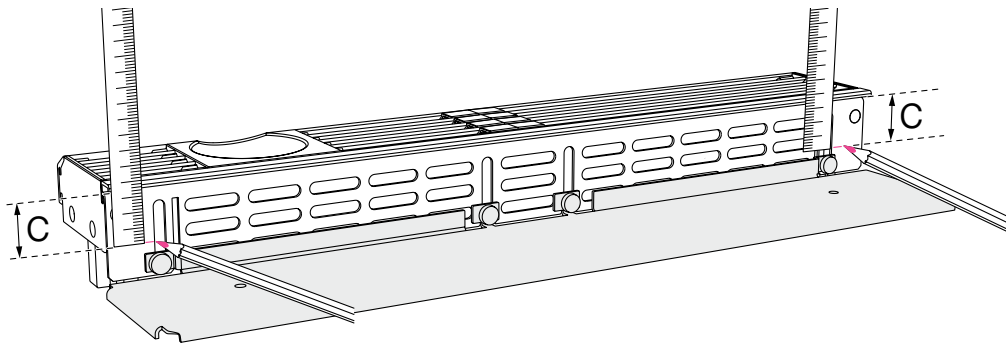


- A
- B
- C
- D

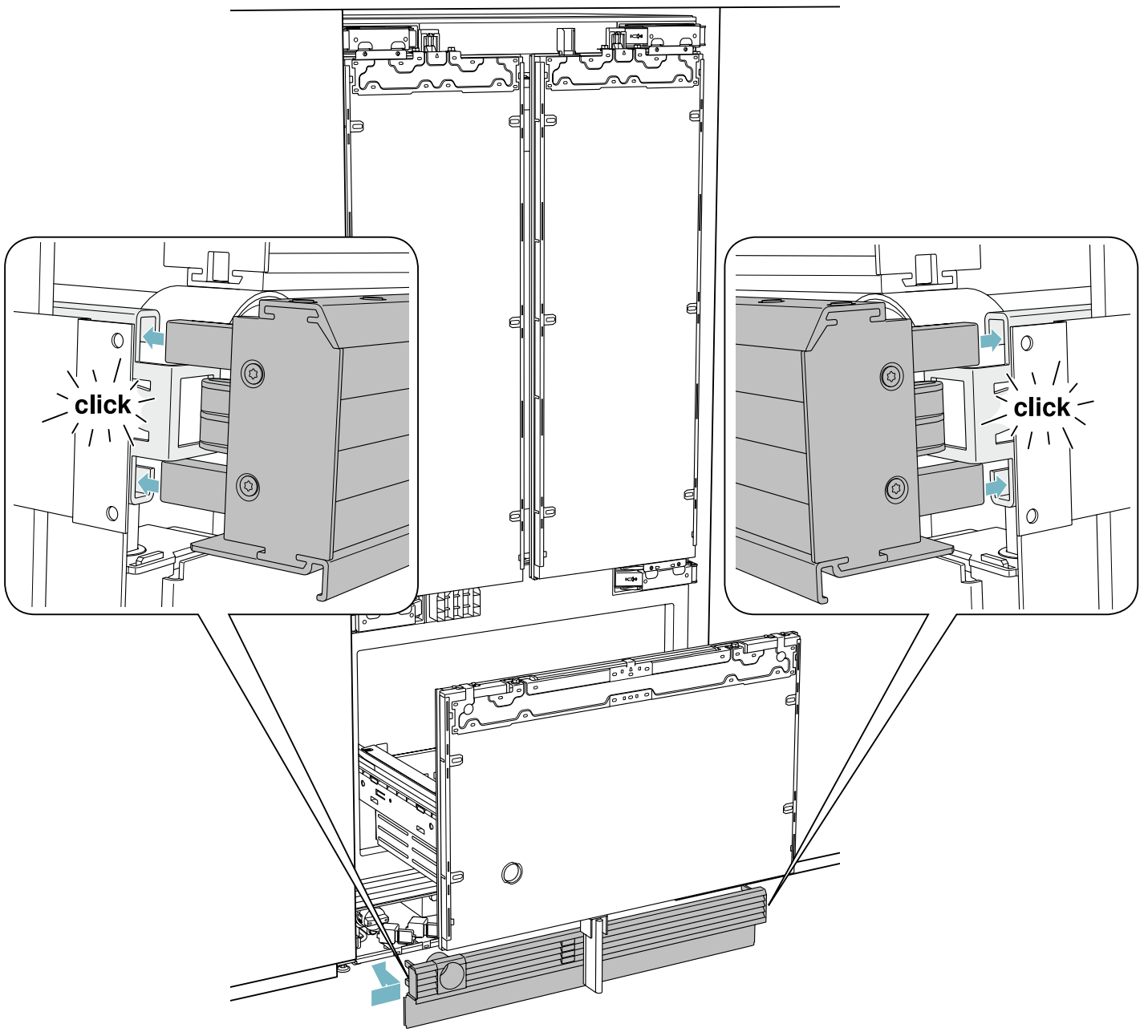
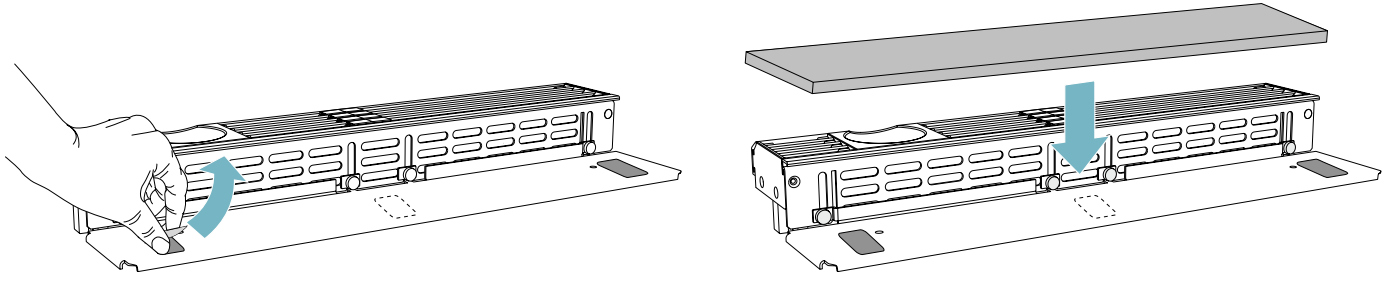




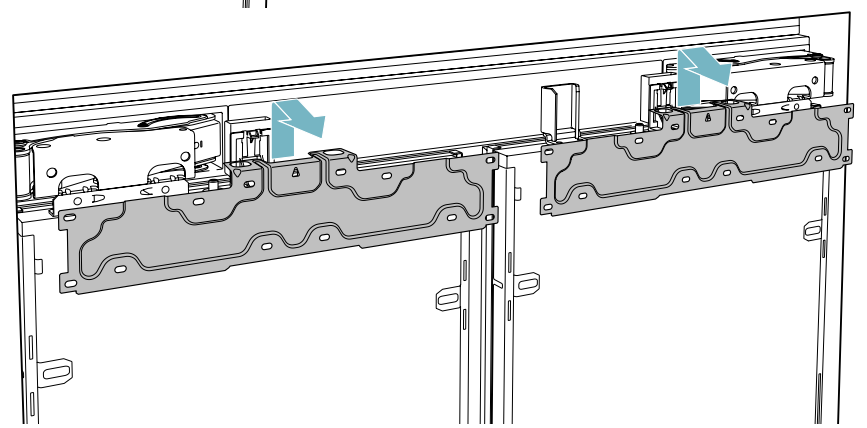
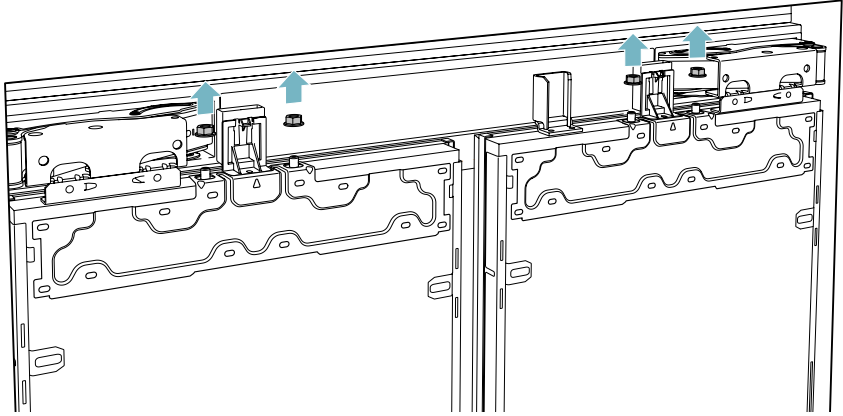
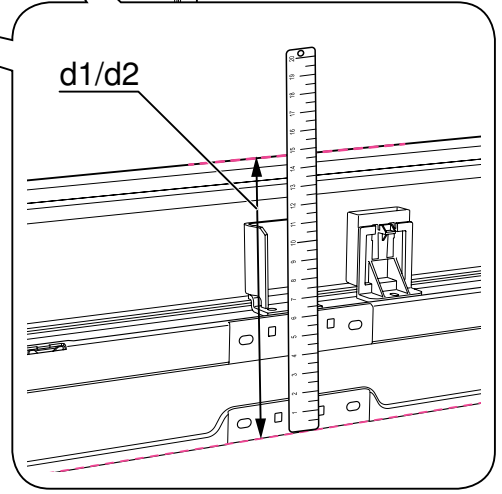
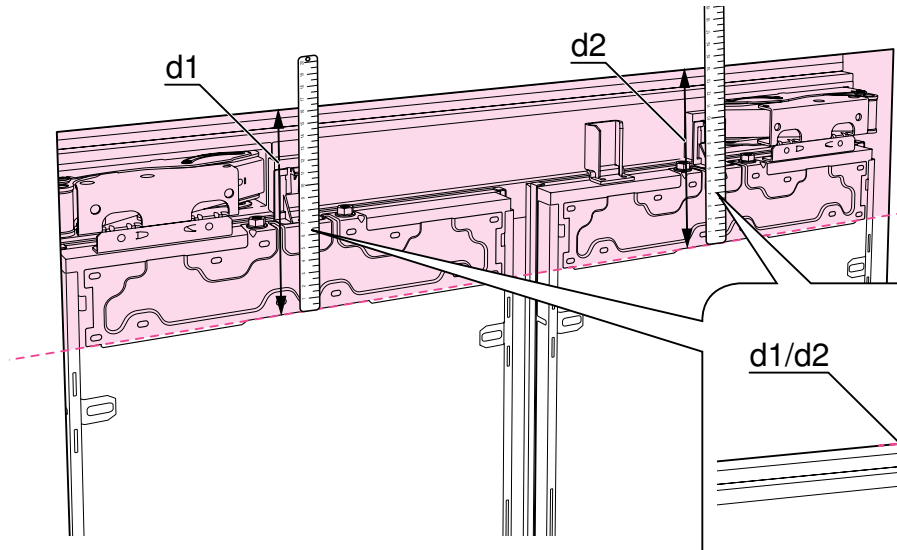
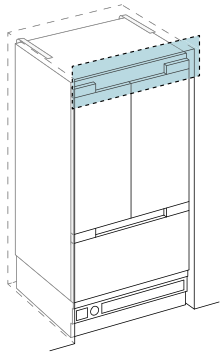
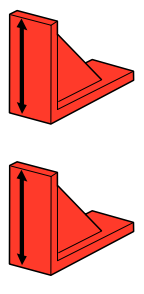
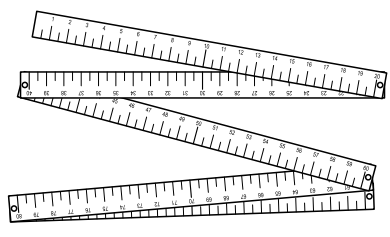
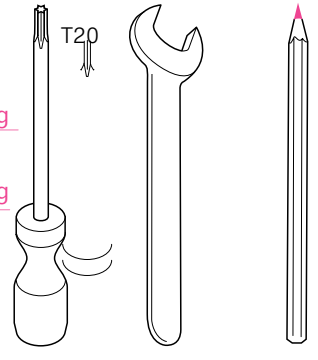
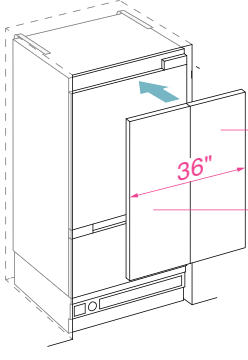
- A
- B
- C
- D

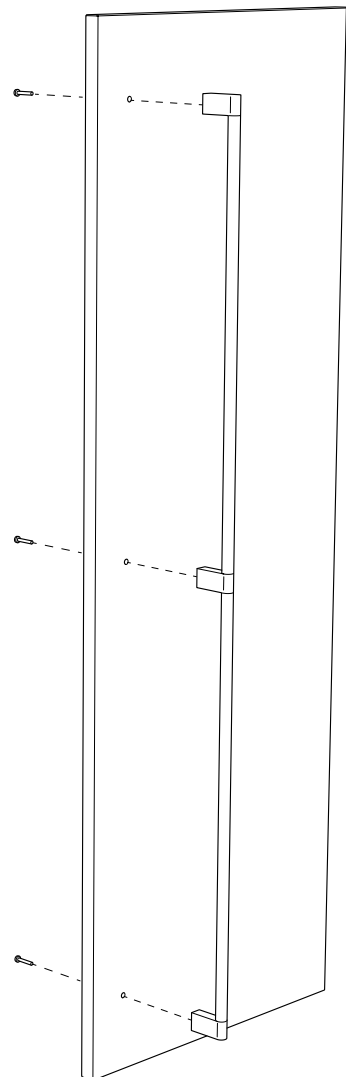
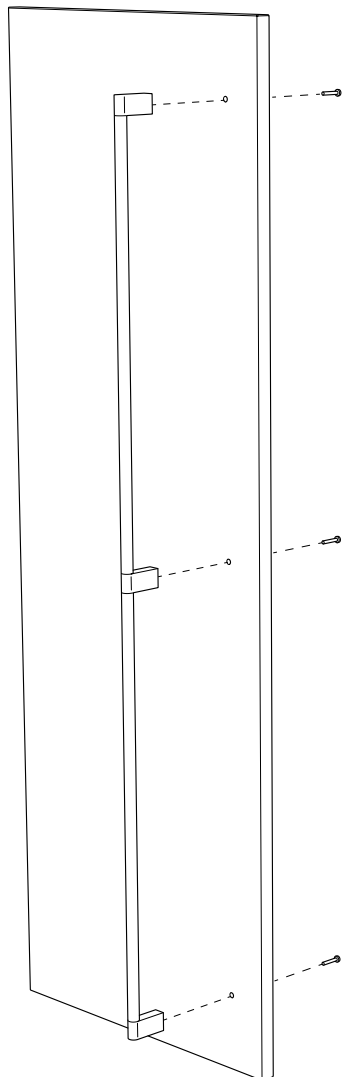
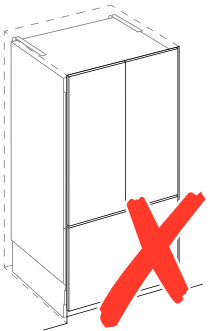
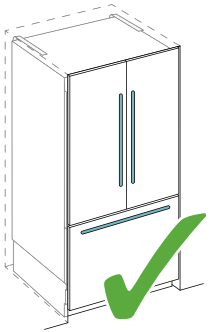
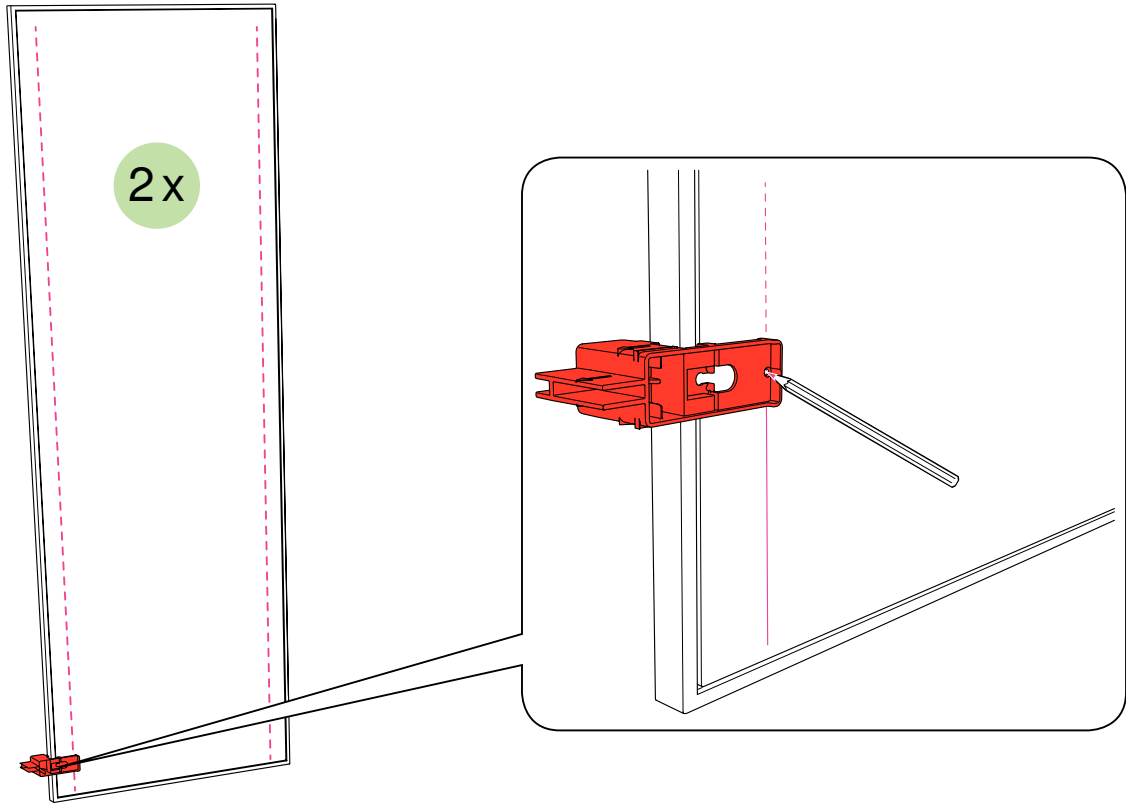


- A
- B
- C
- D

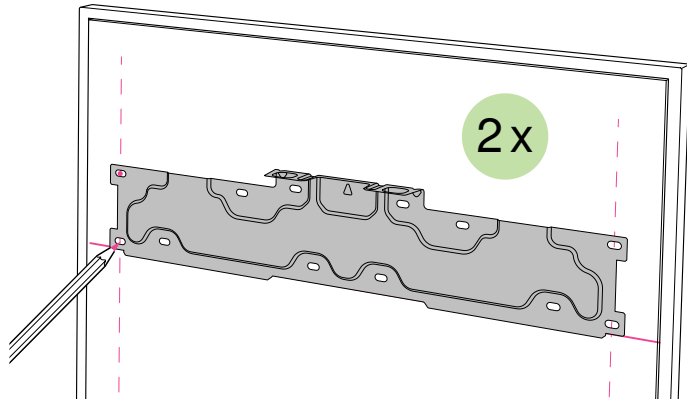
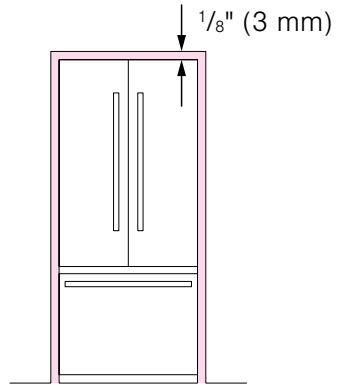
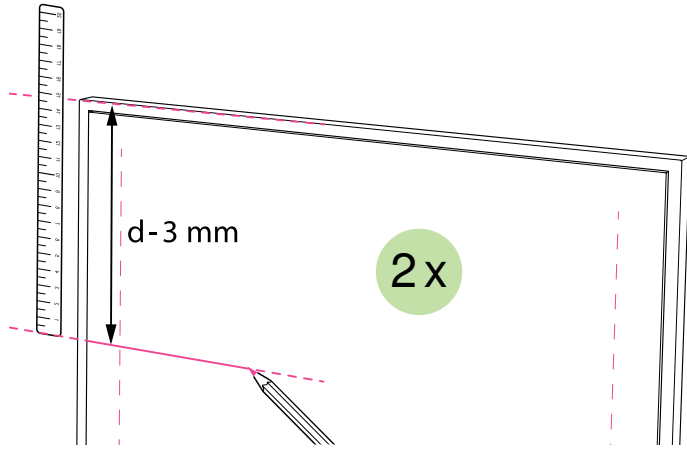


A
B
C
D

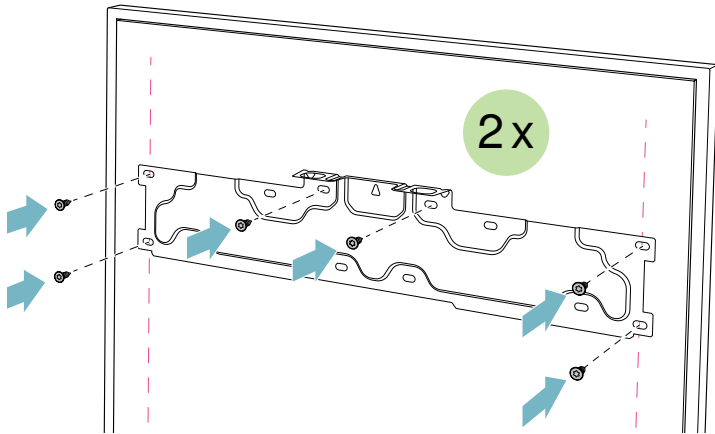


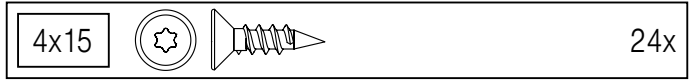


- A
- B
- C
- D

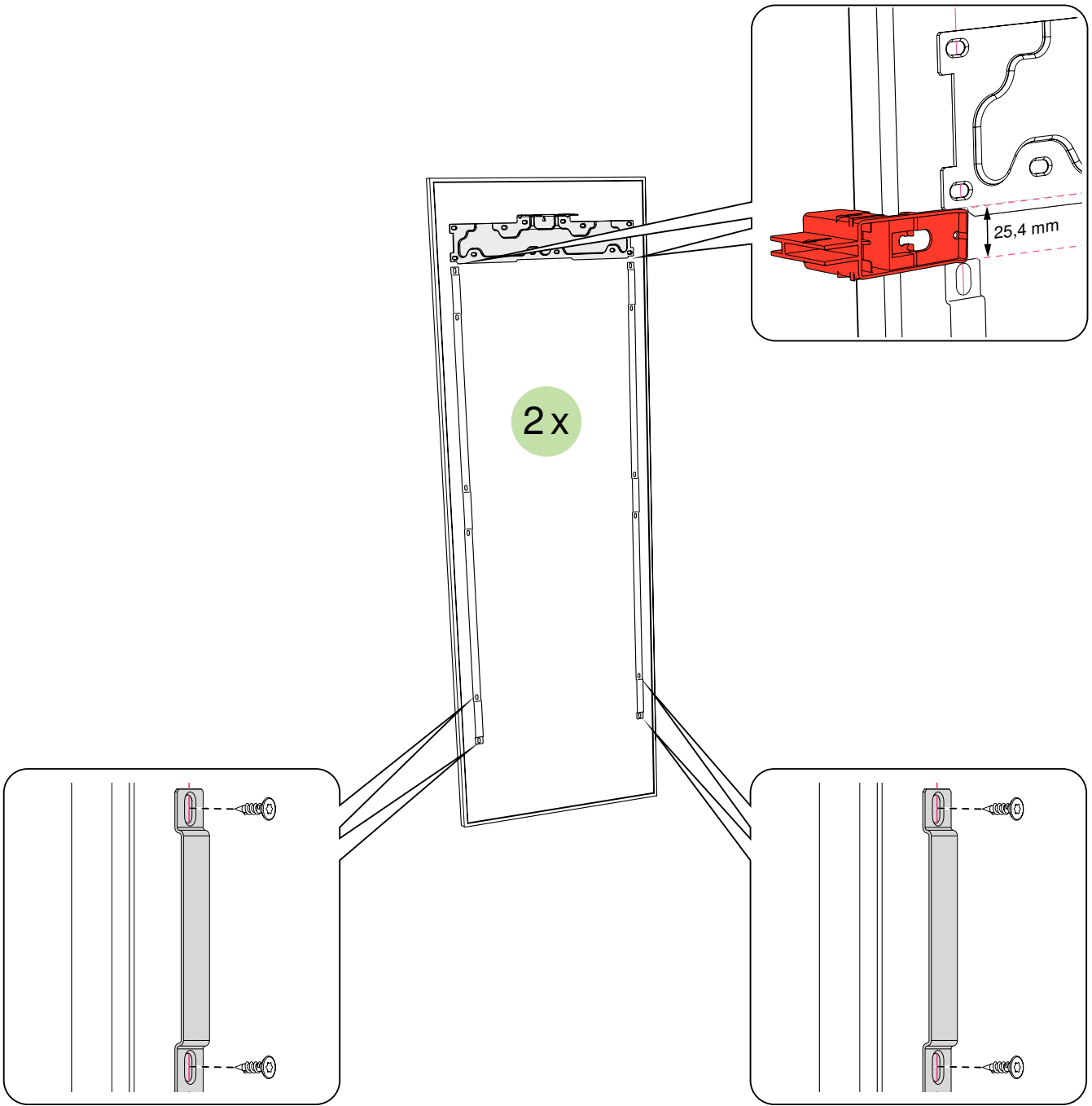


4x15			36" (915 mm)	12x
------	--	--	--------------	-----

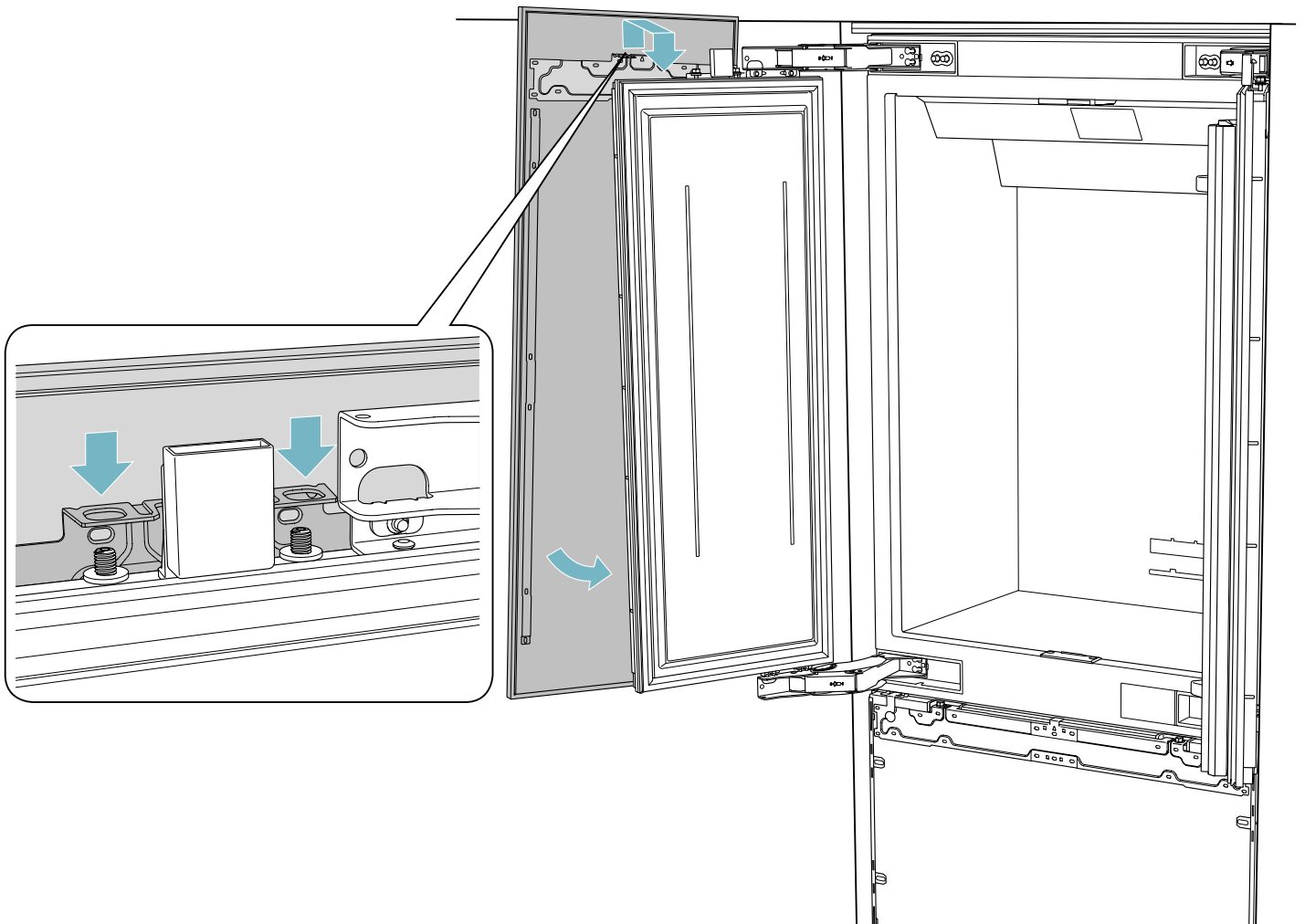
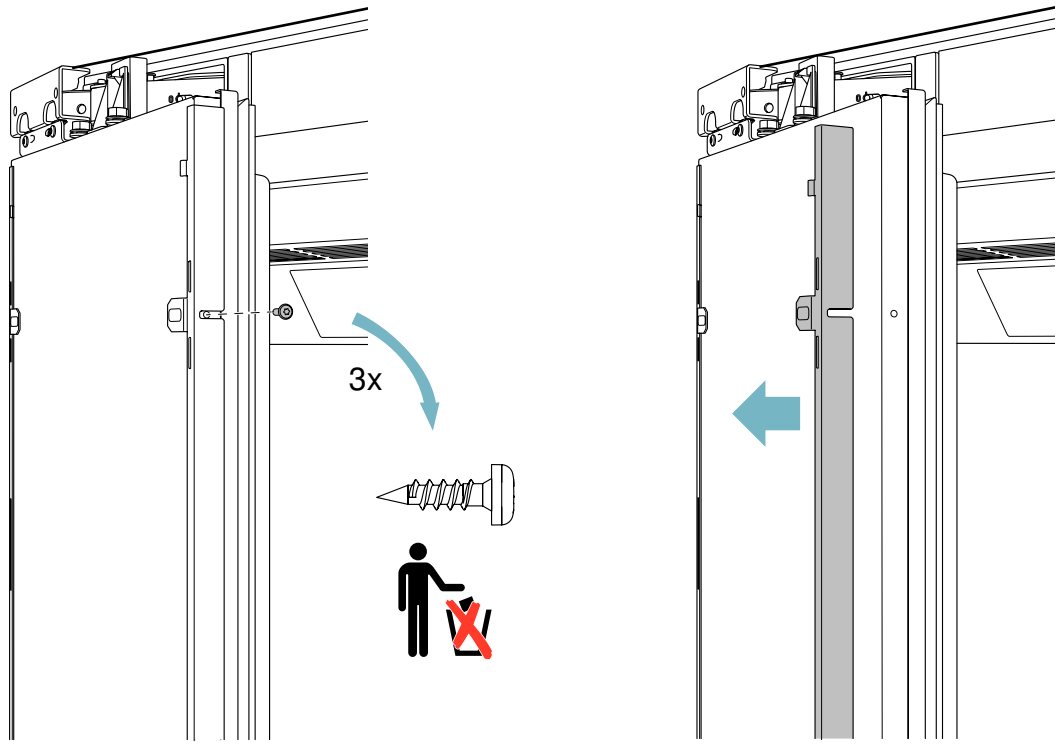


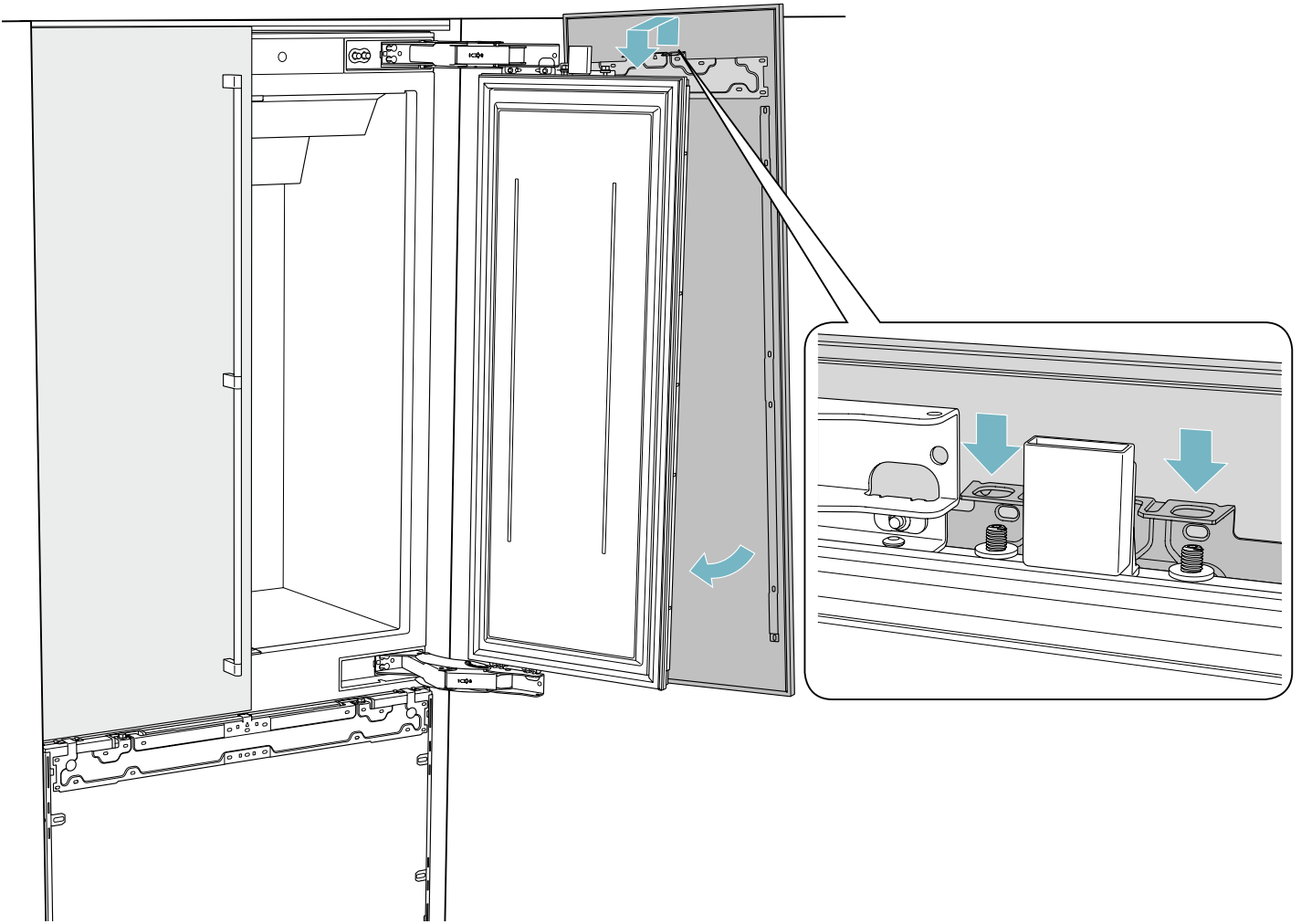
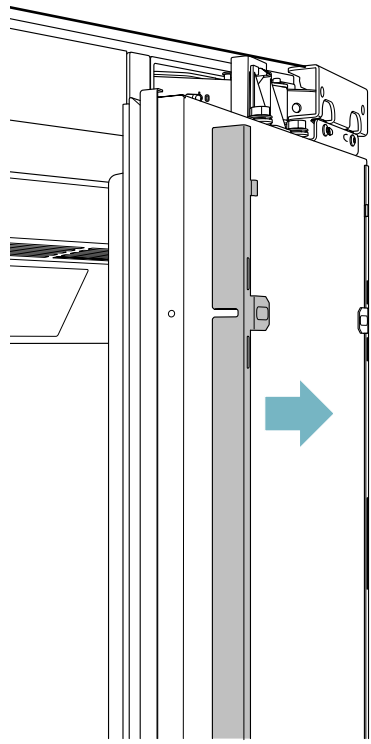
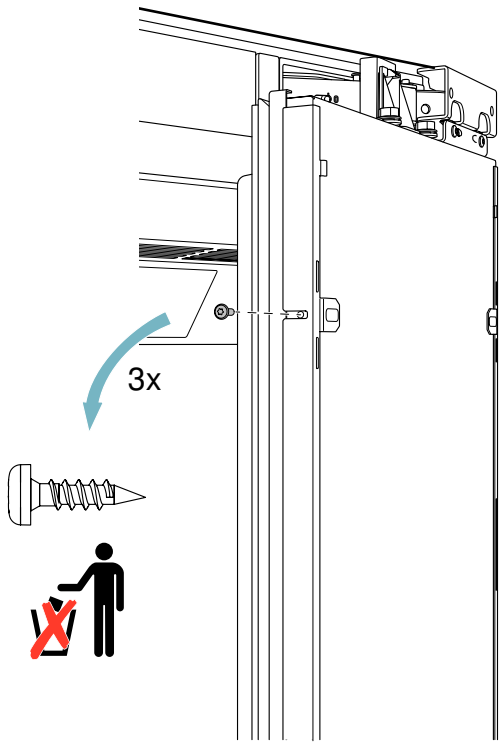


- A
- B
- C
- D

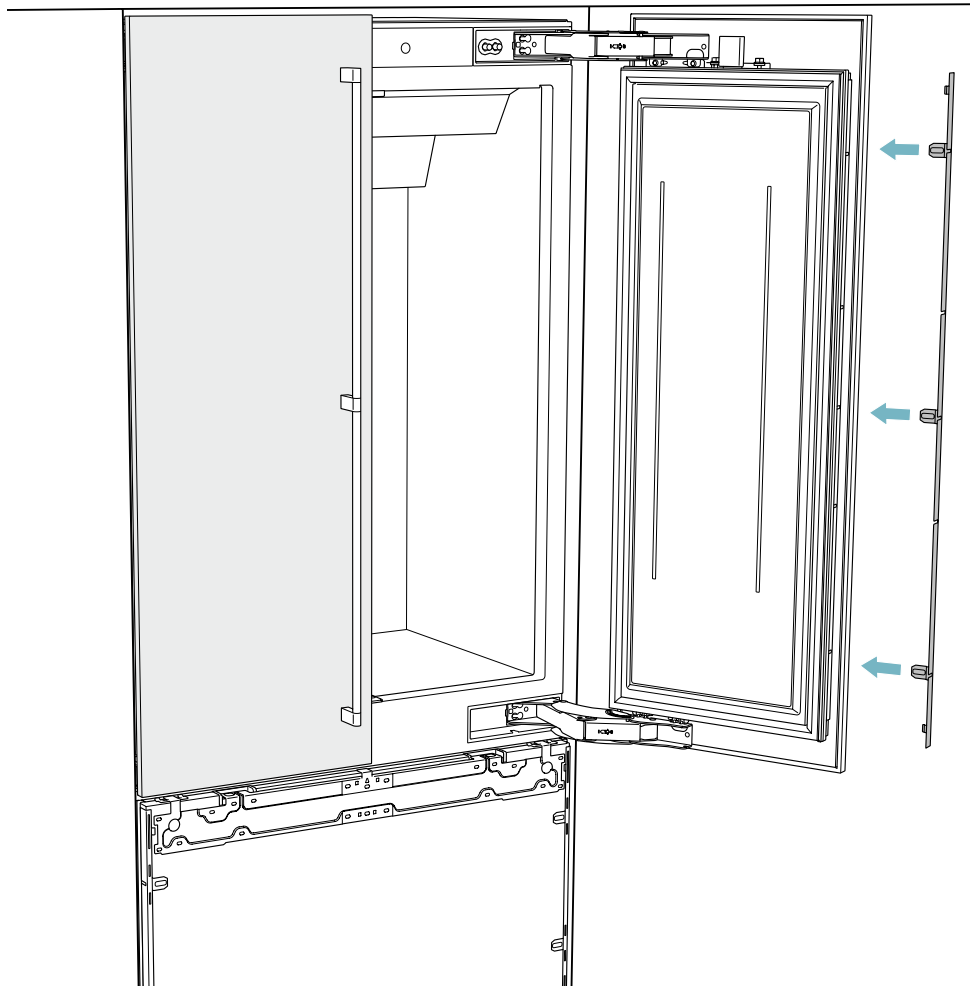
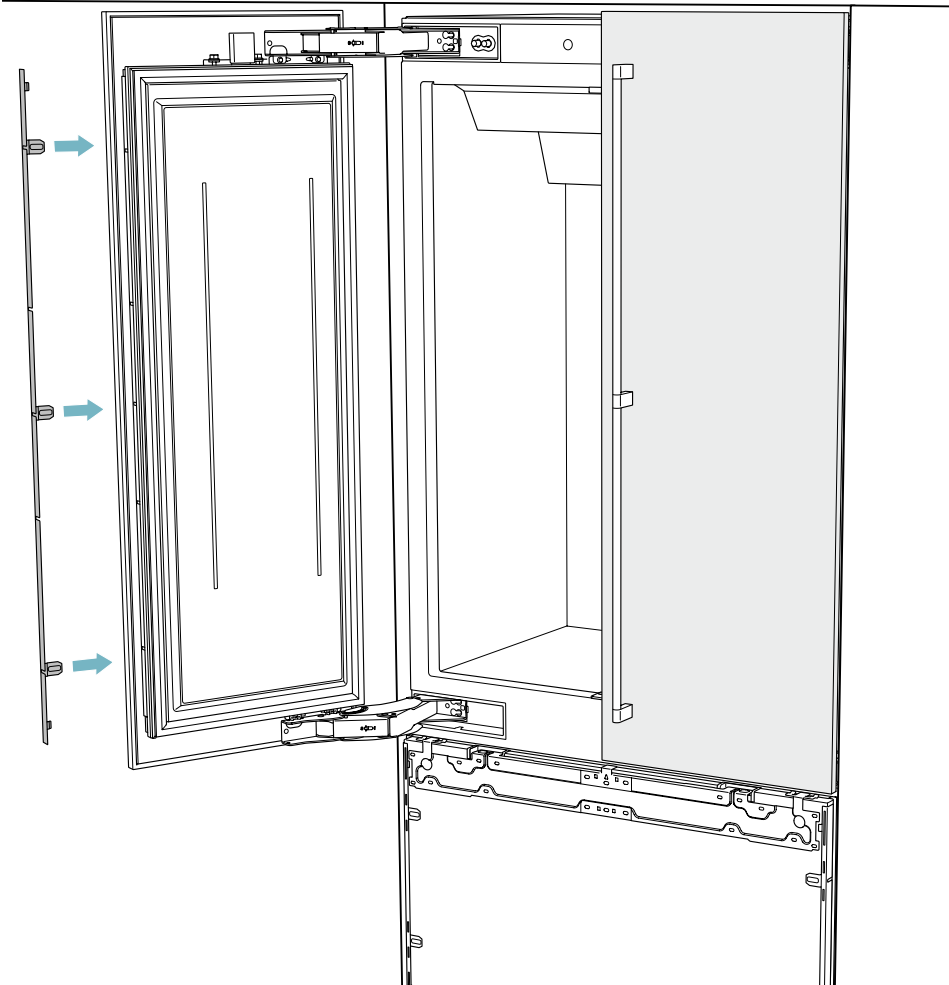


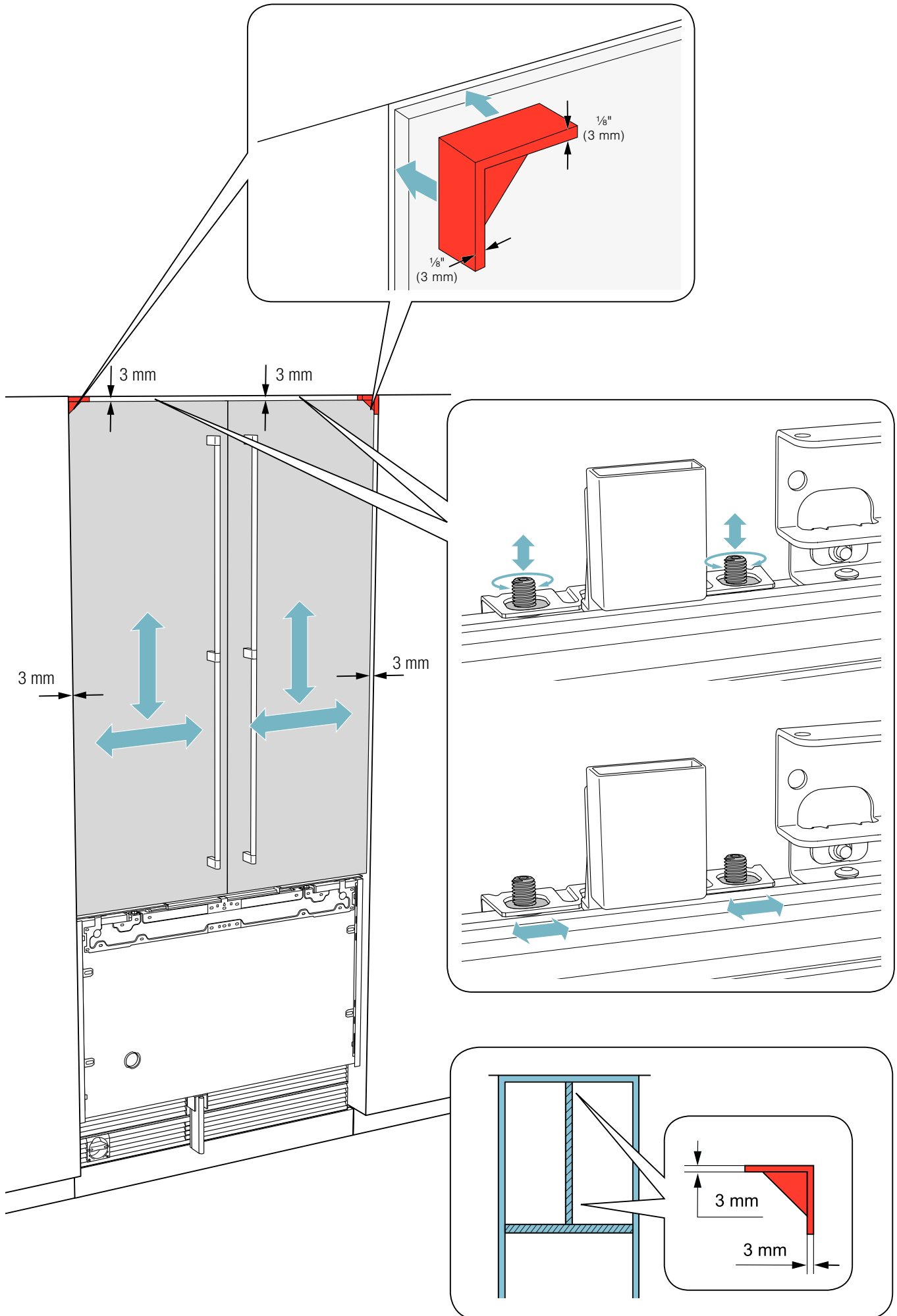
A
B
C
D



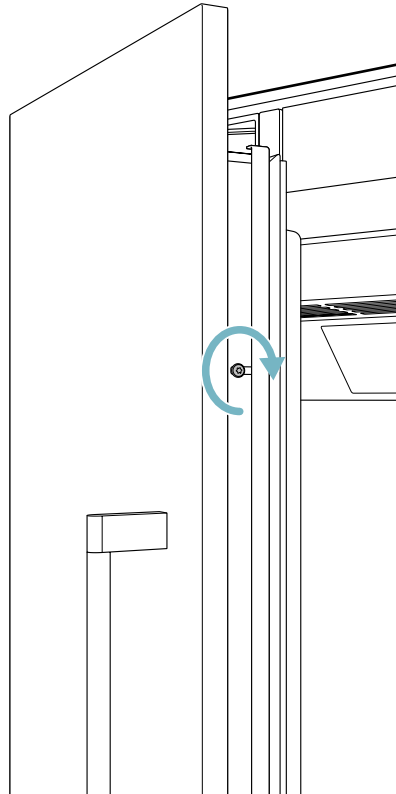
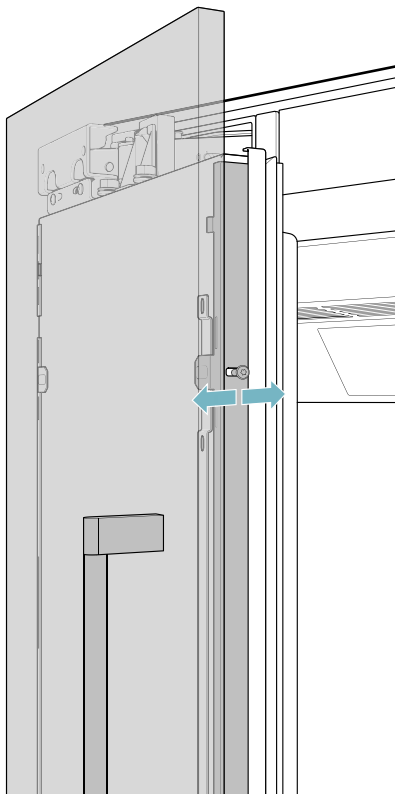
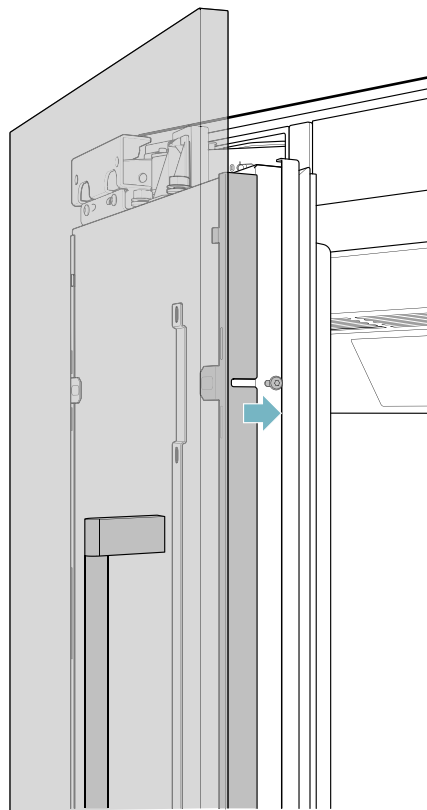
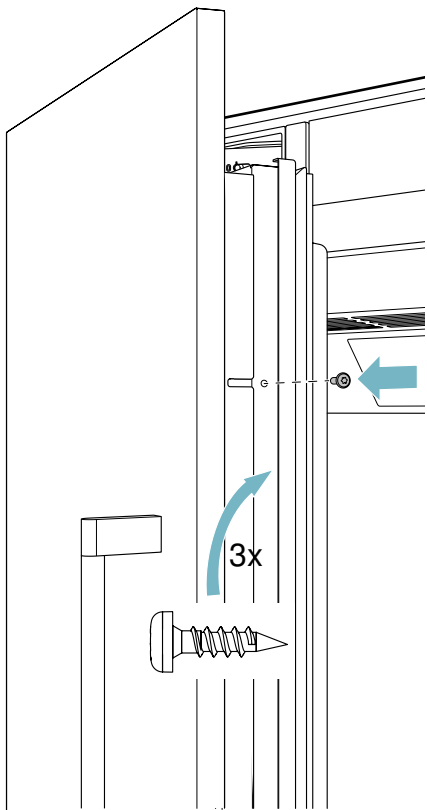


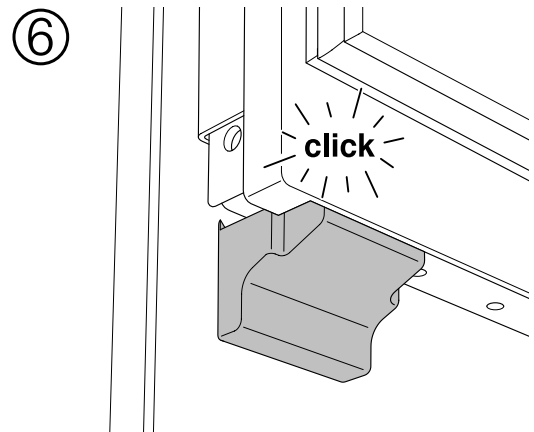
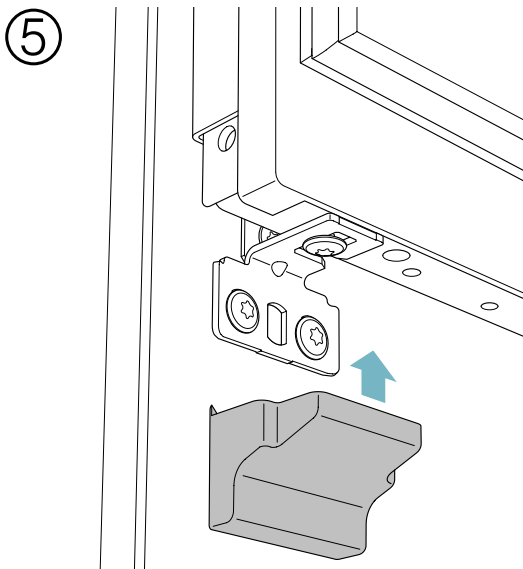
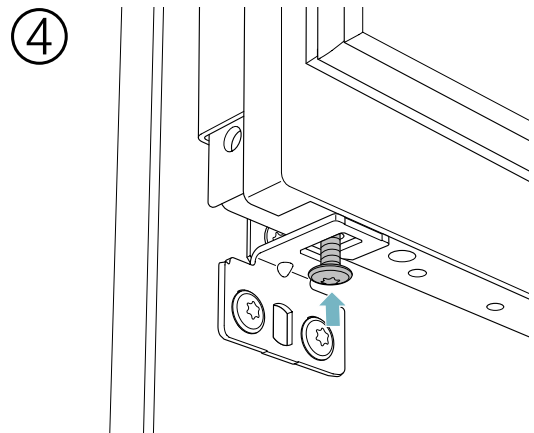
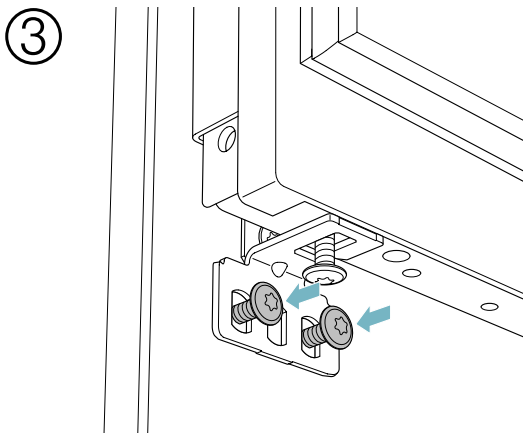
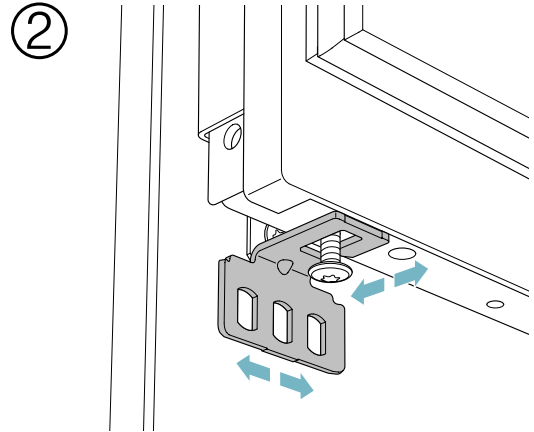
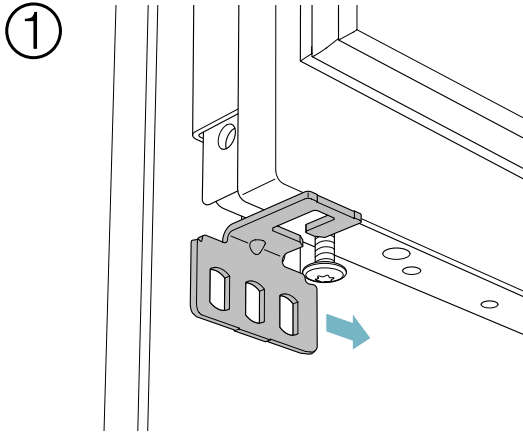
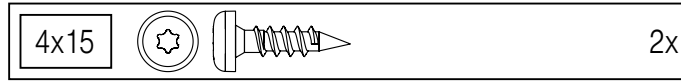
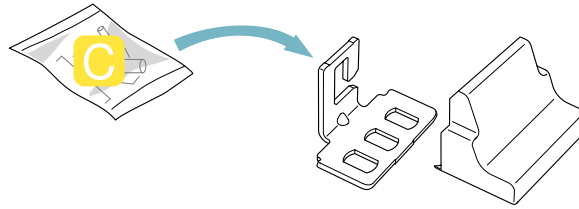
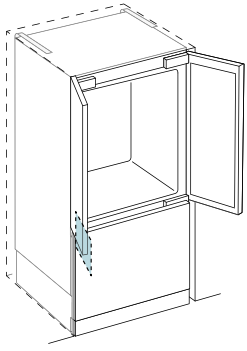
- A
- B
- C
- D



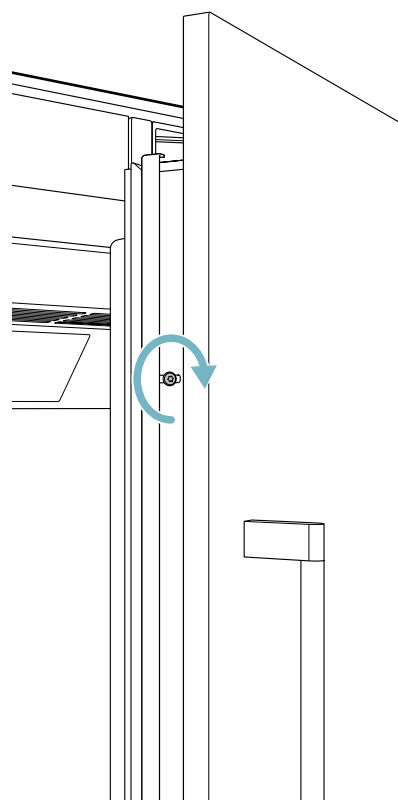
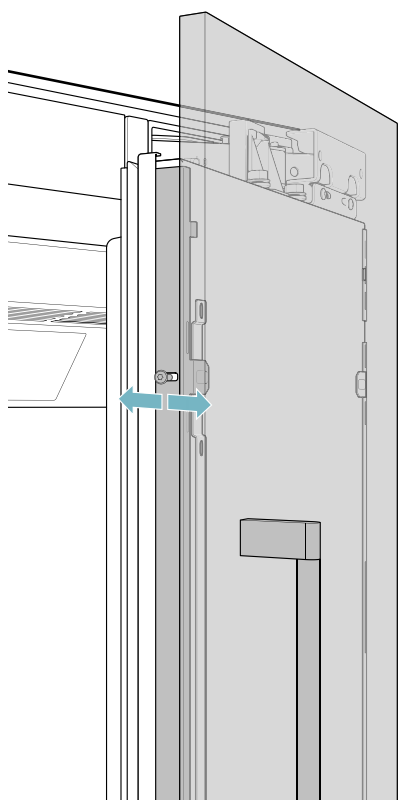
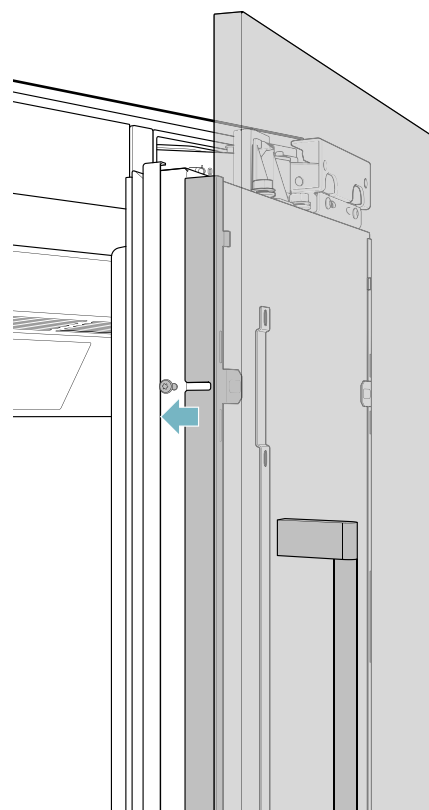
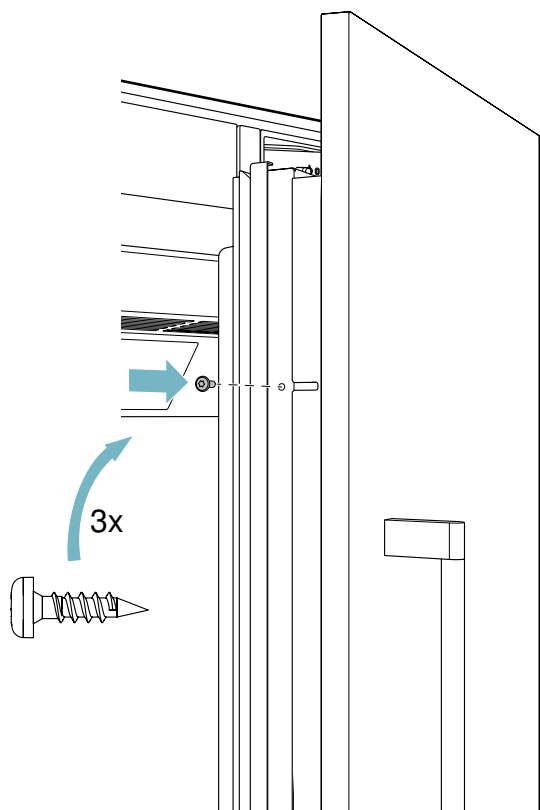


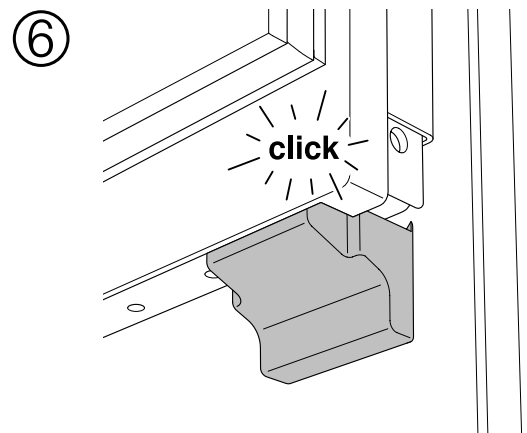
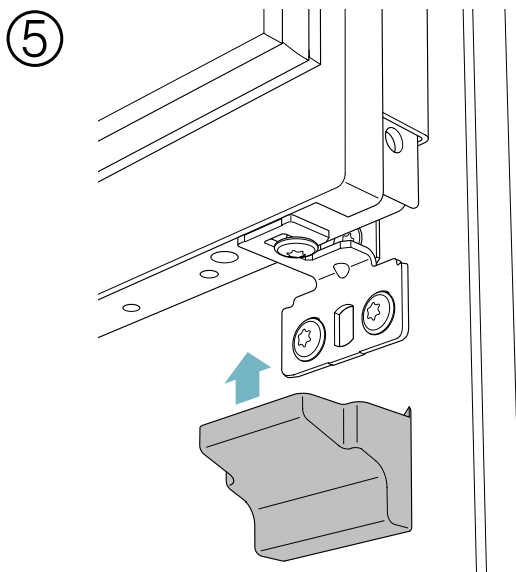
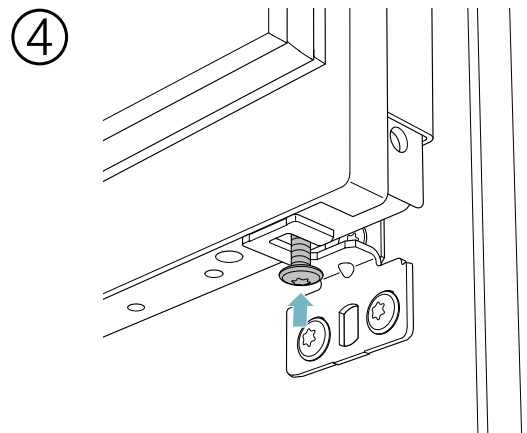
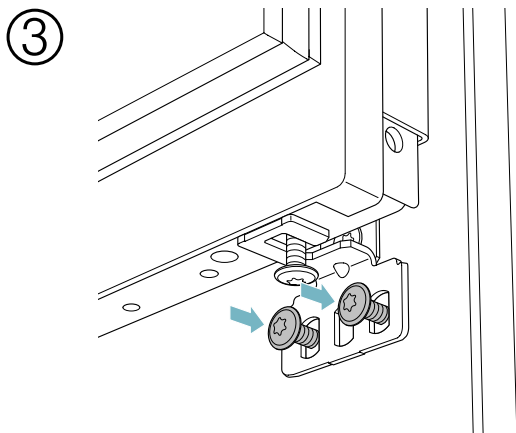
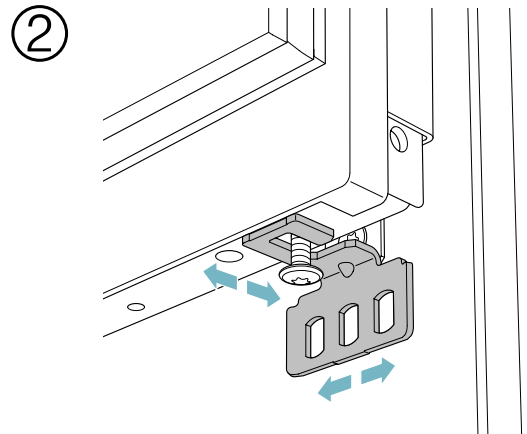
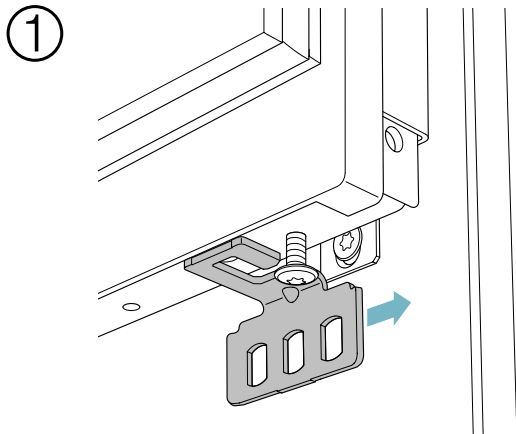
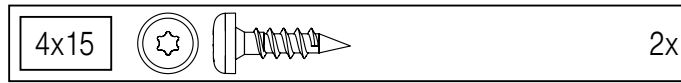
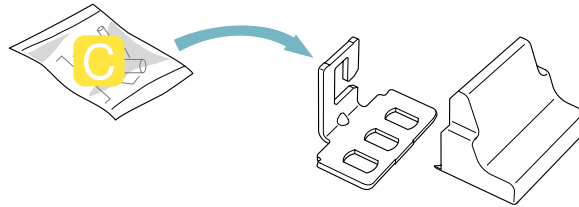
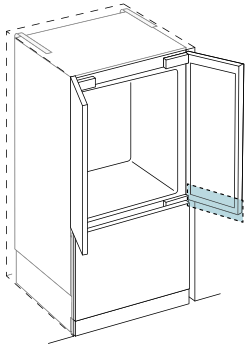
- A
- B
- C
- D



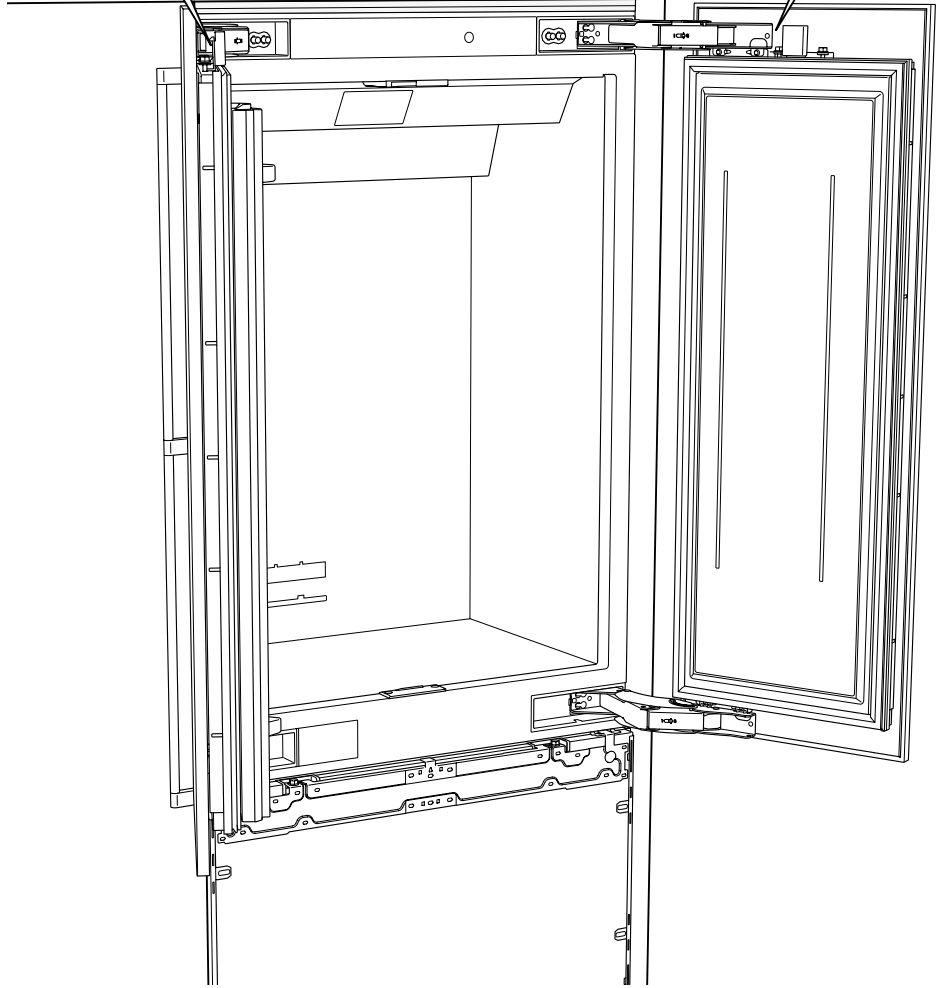
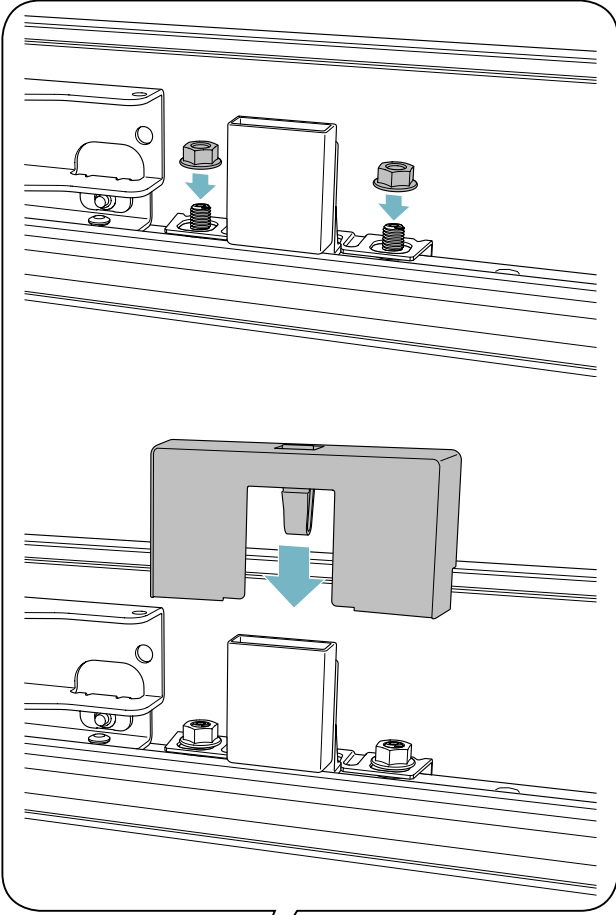
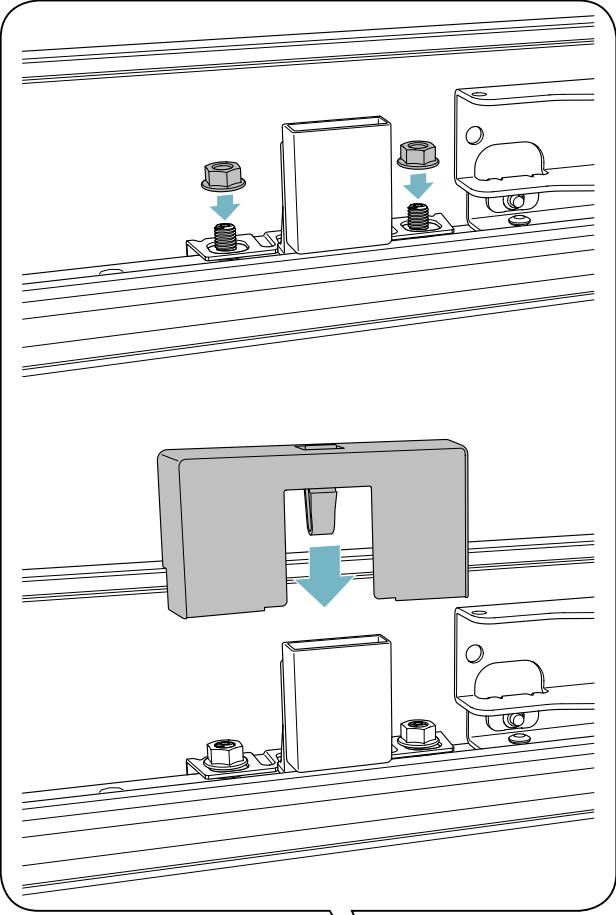


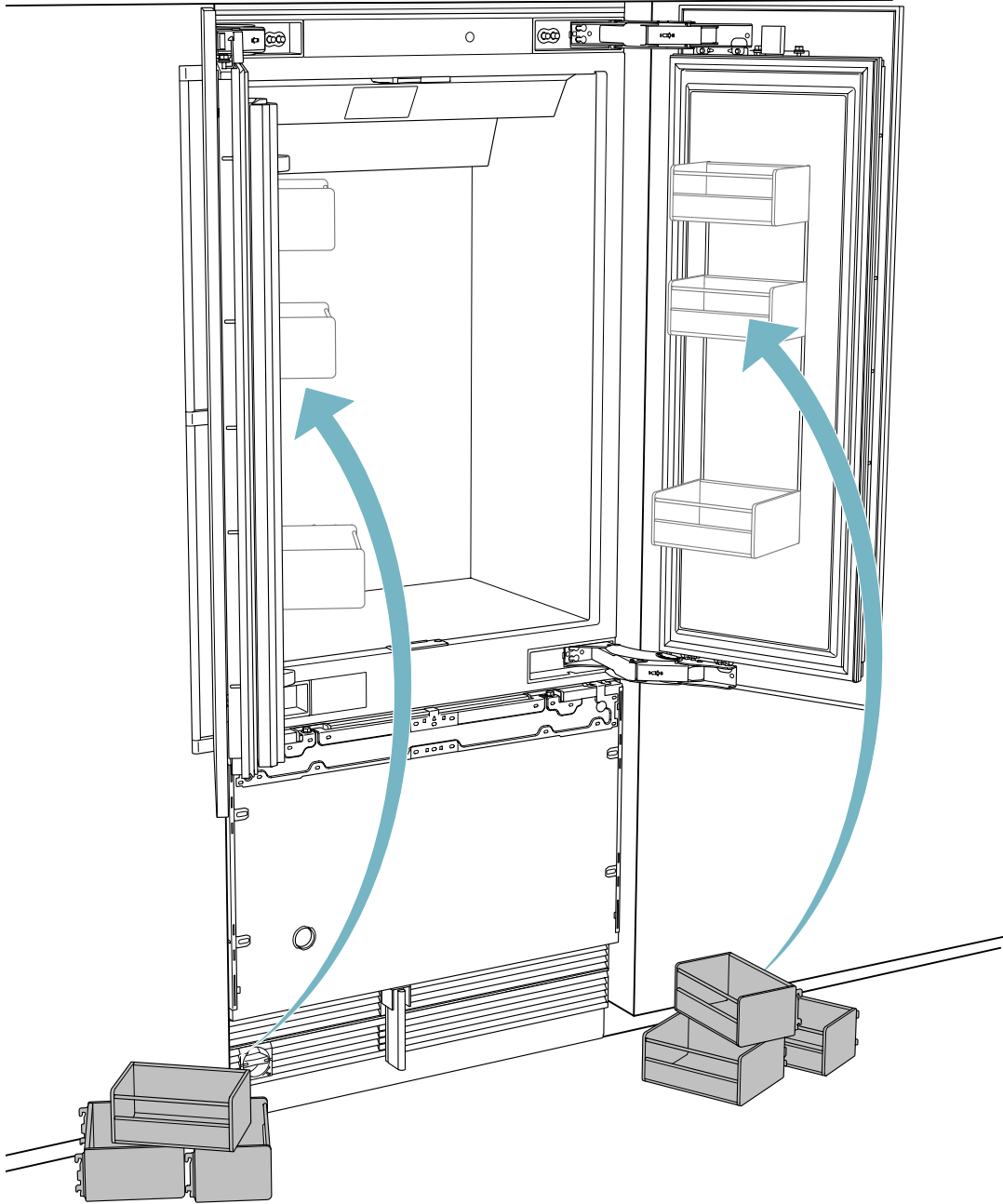
- A
- B
- C
- D



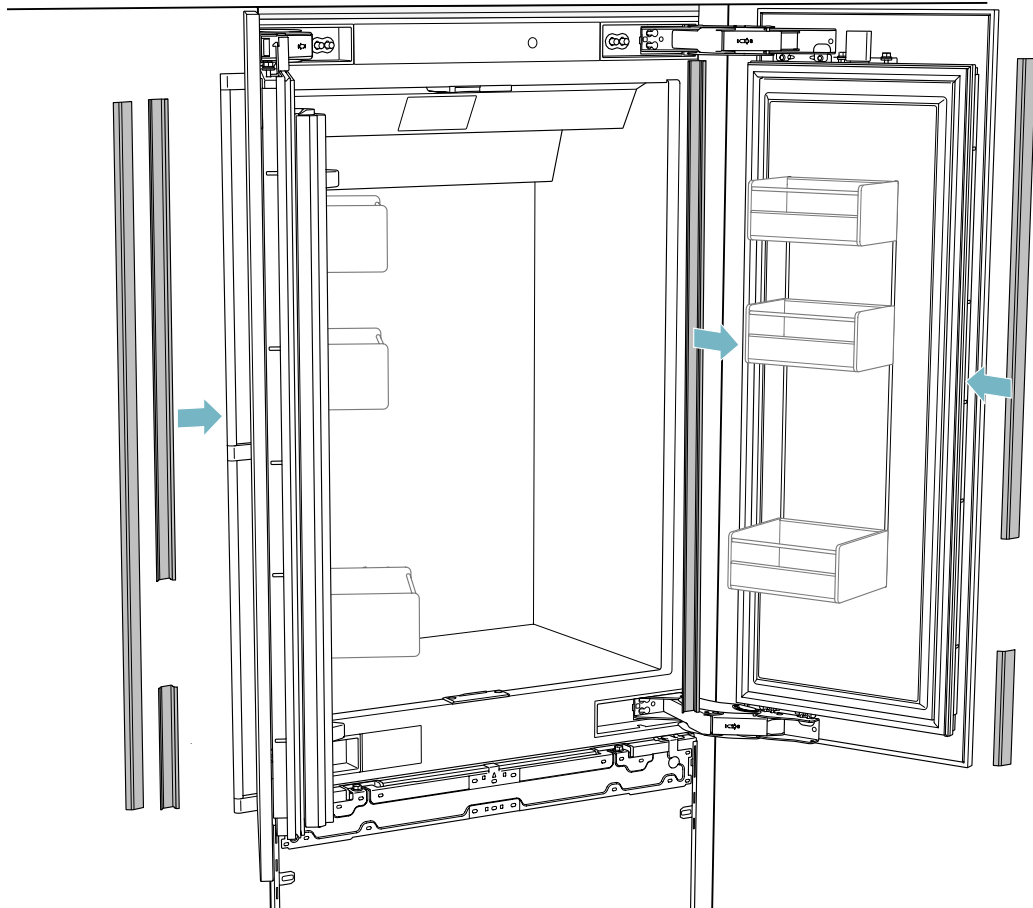
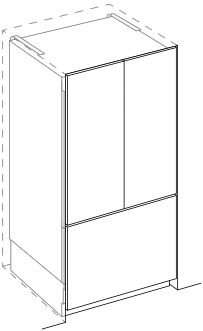
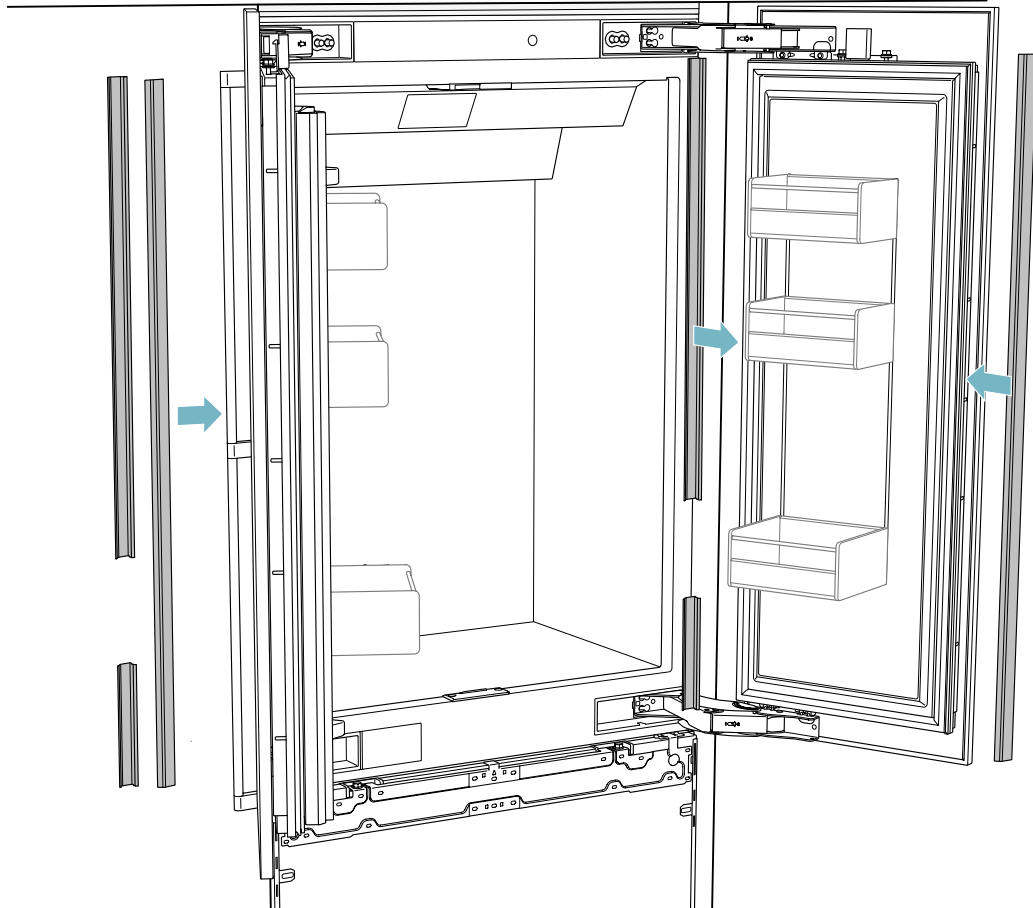
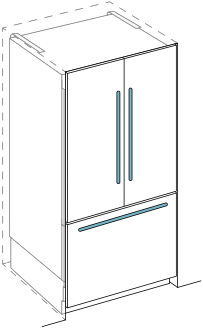


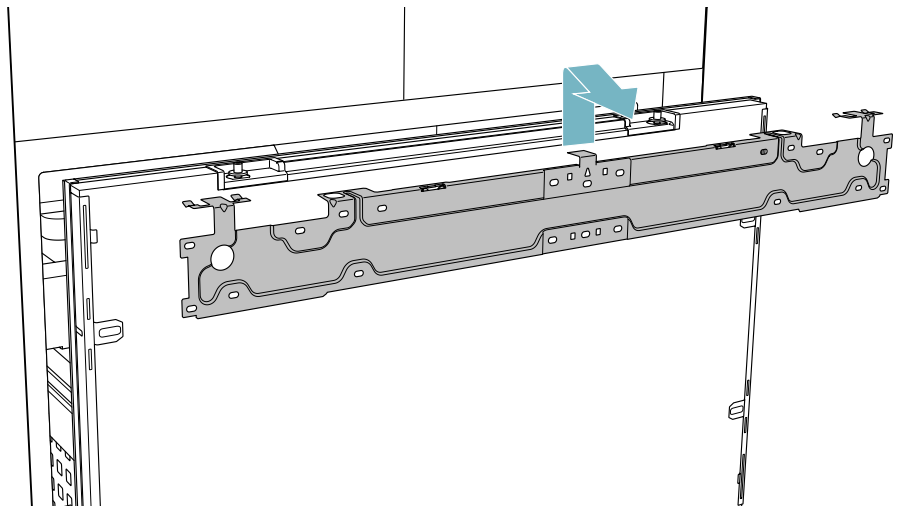
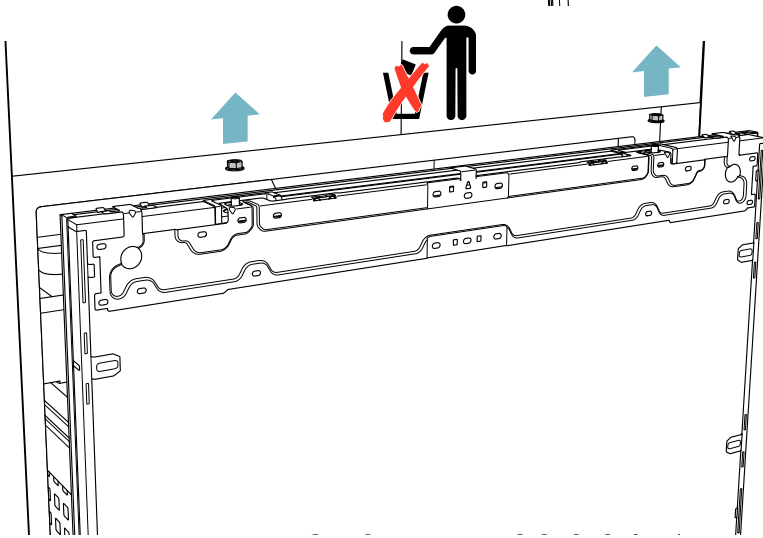
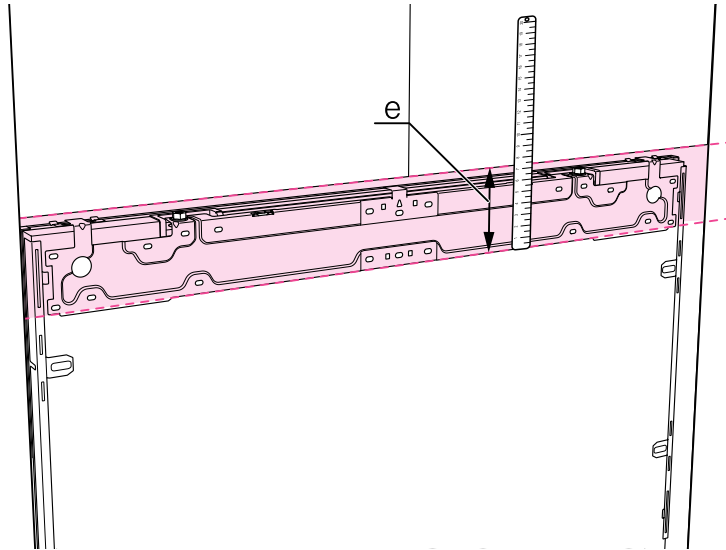
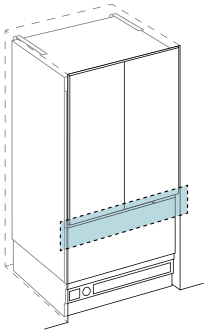
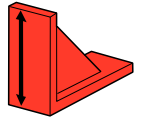
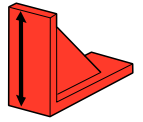
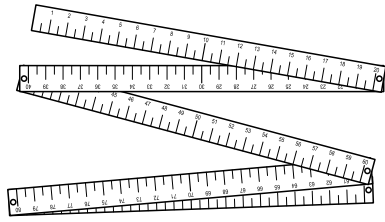
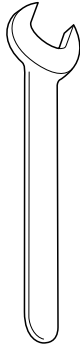
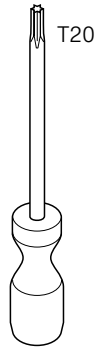
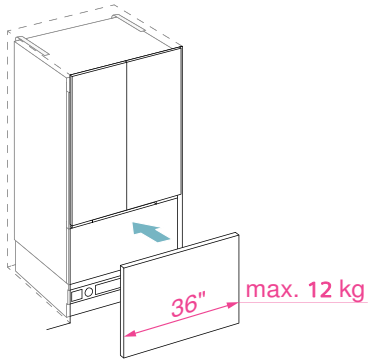
A
B
C
D



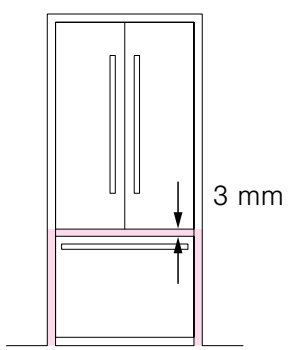
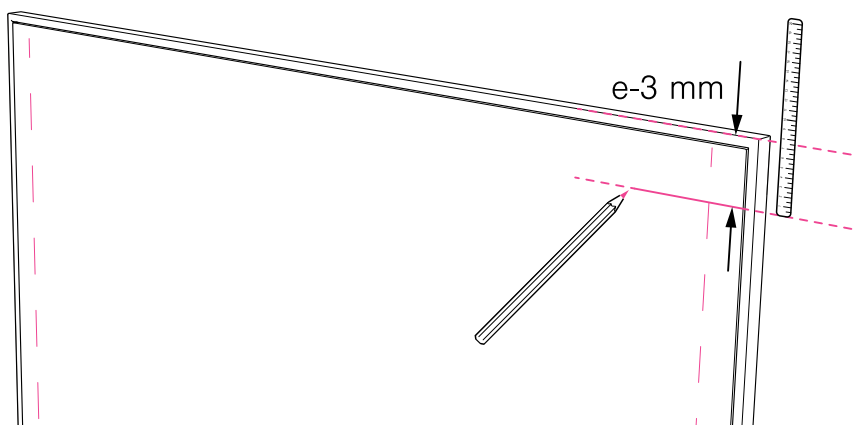
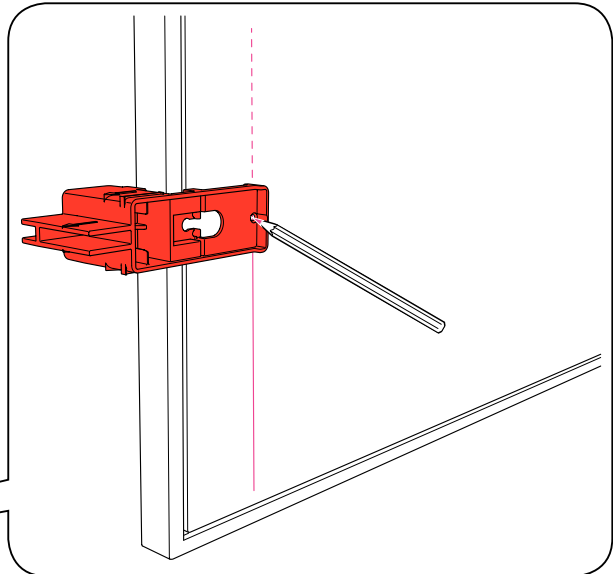
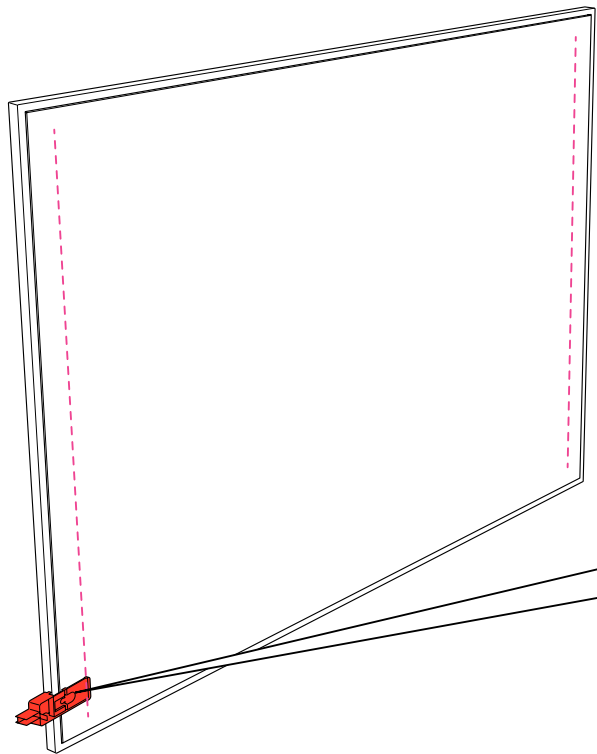
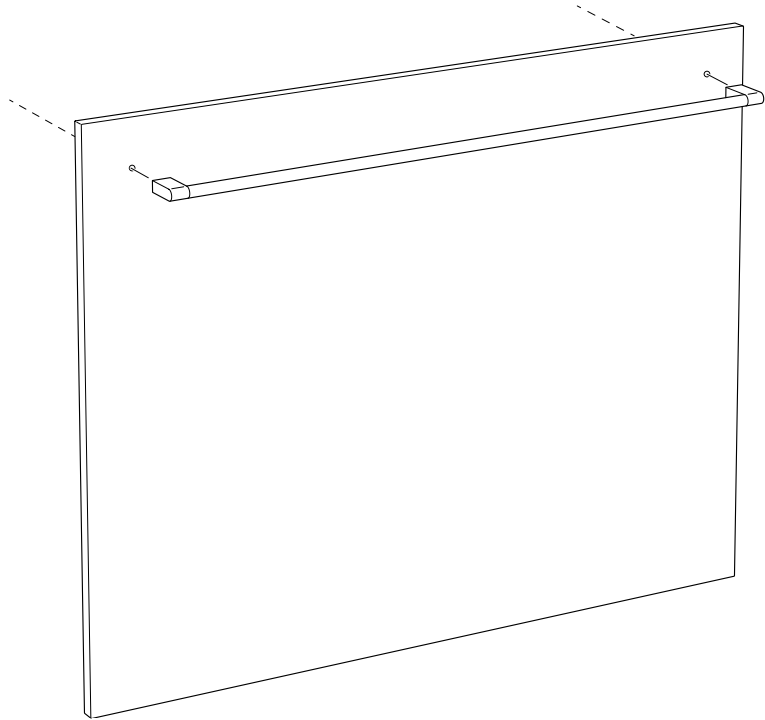
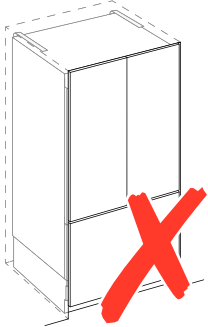
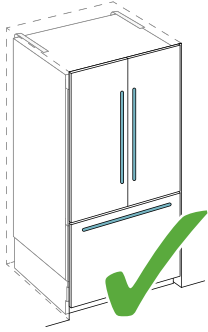



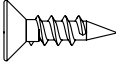
- A
- B
- C
- D

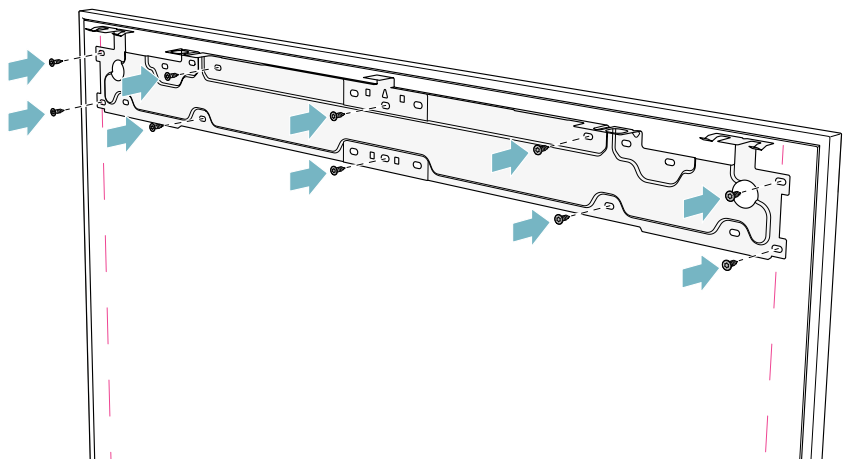
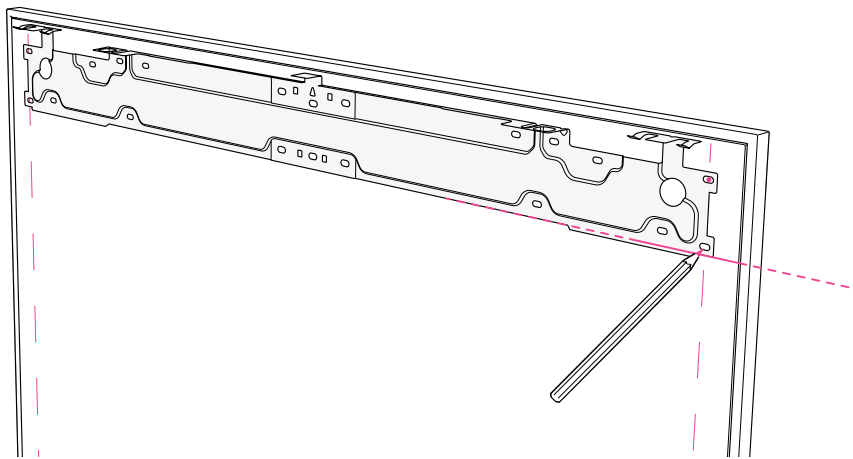



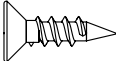


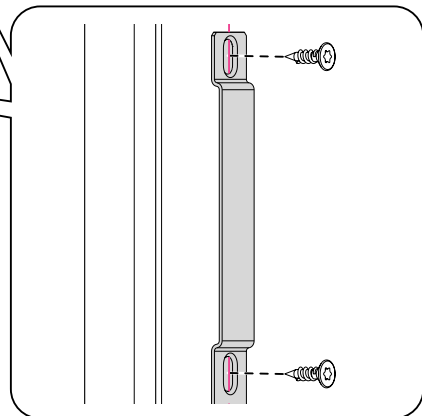
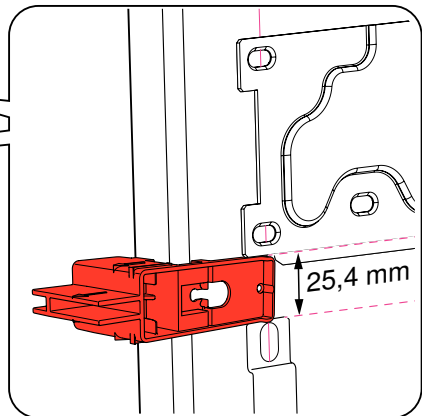
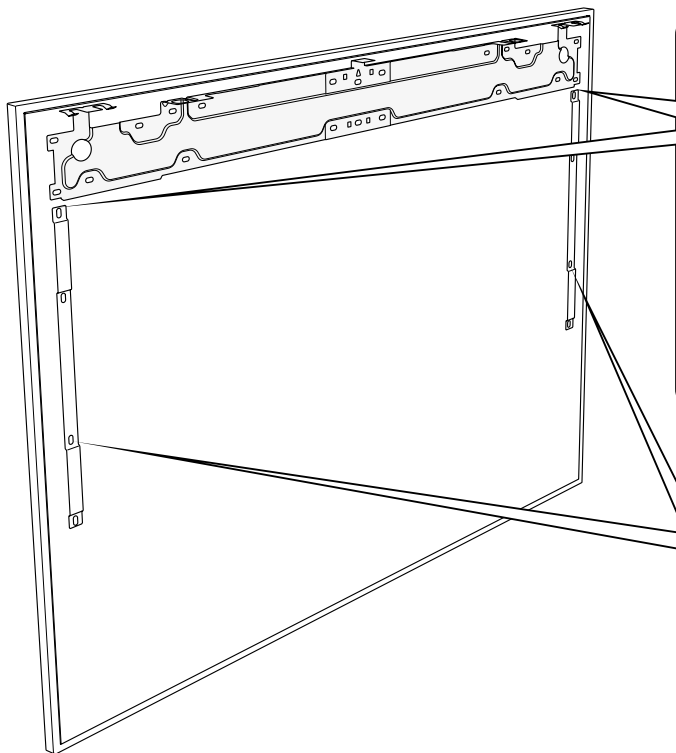
- A
- B
- C
- D



4x15   10x

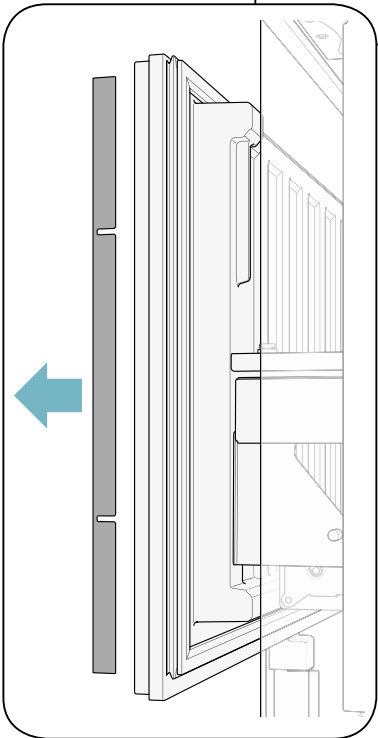
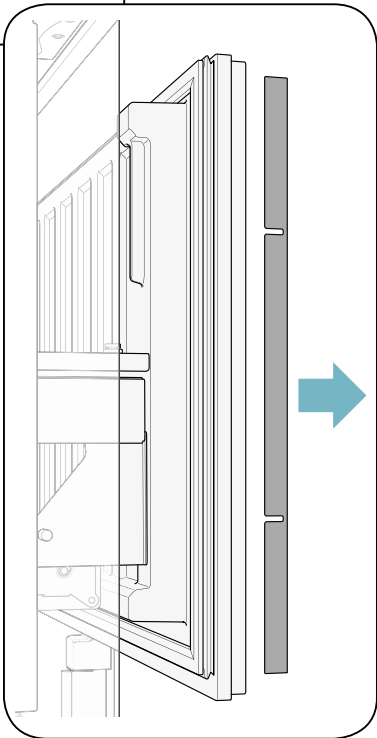
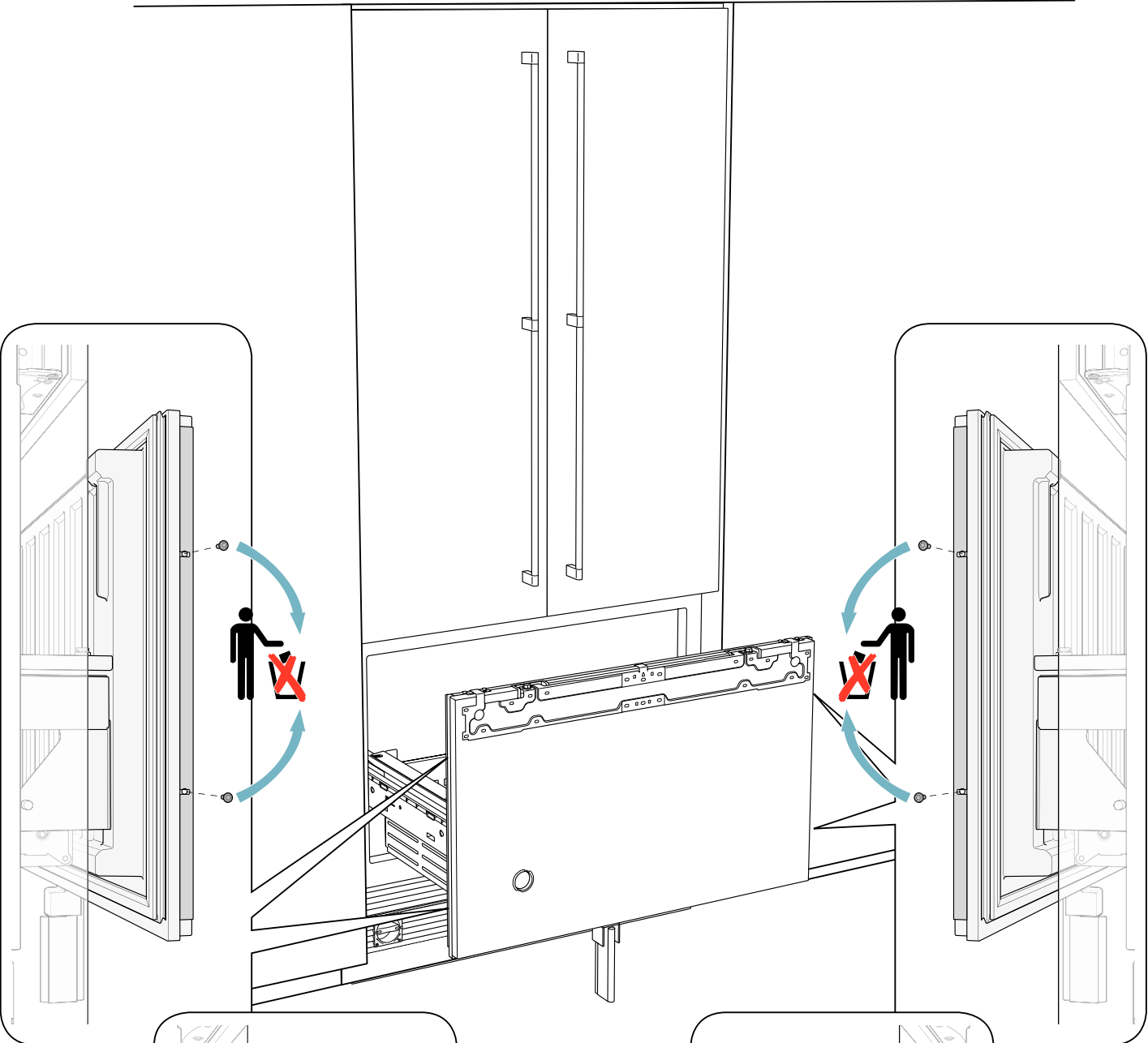


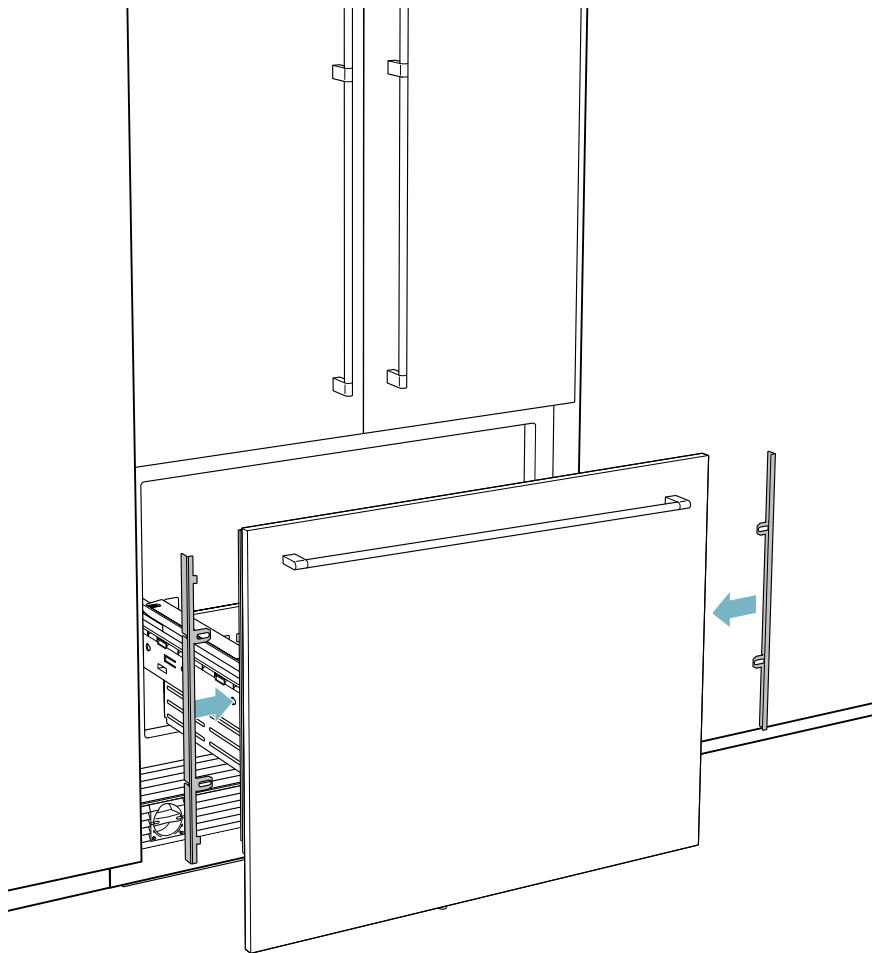
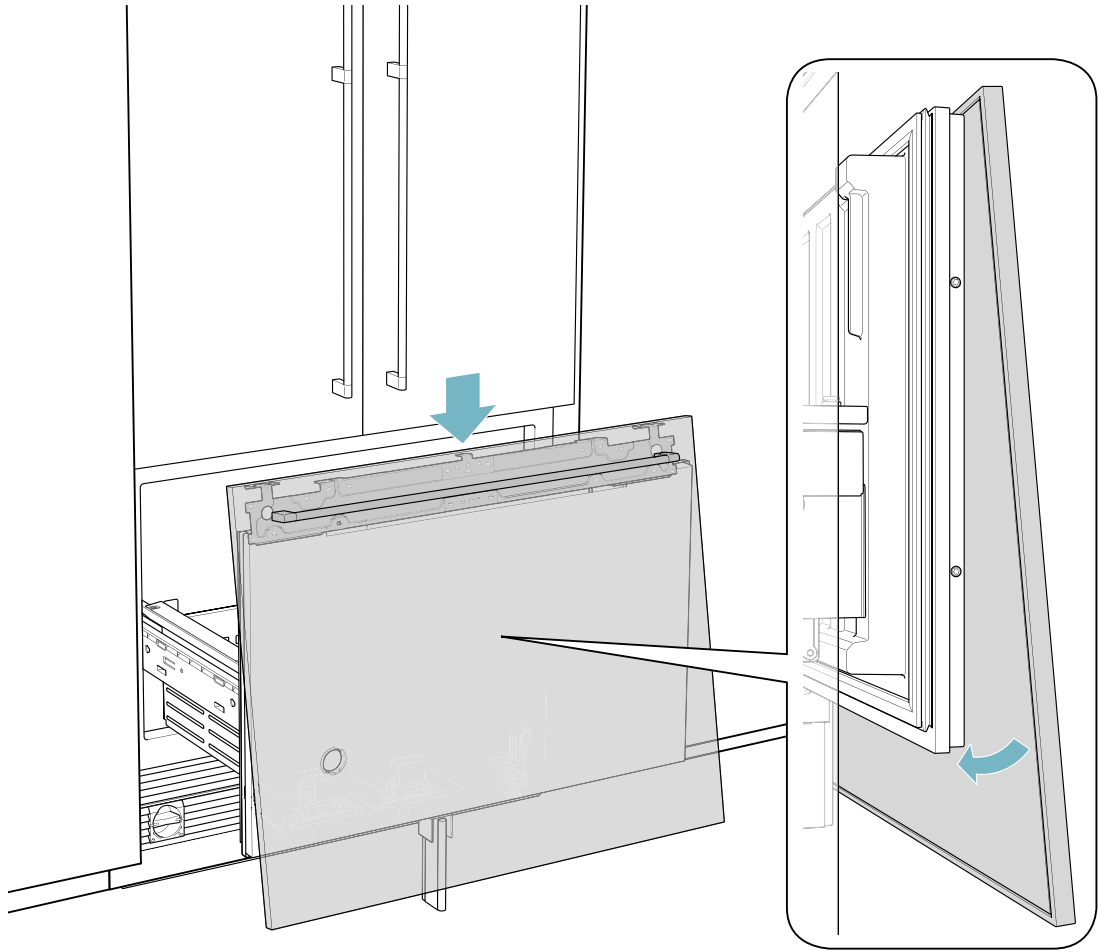
4x15   8x



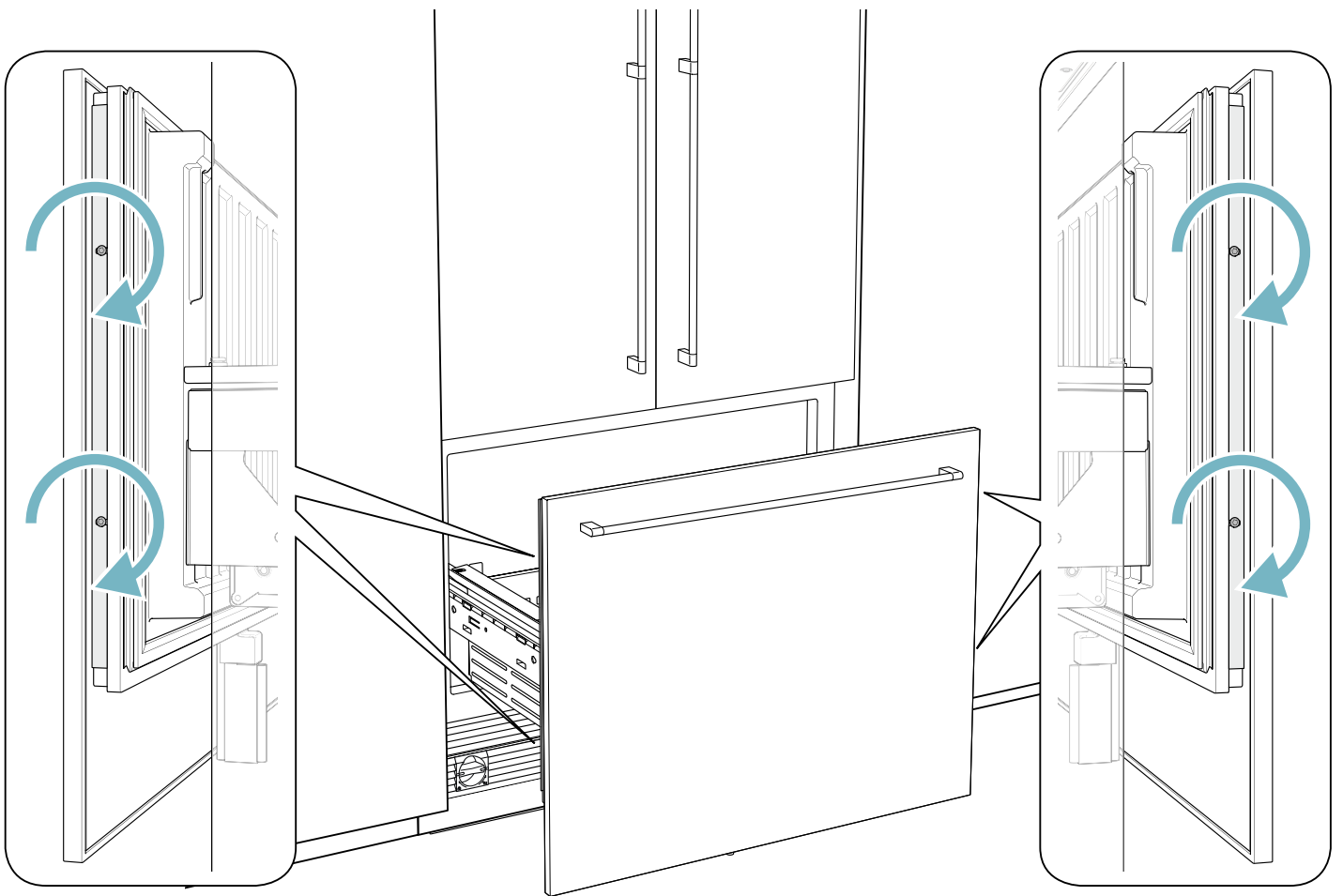
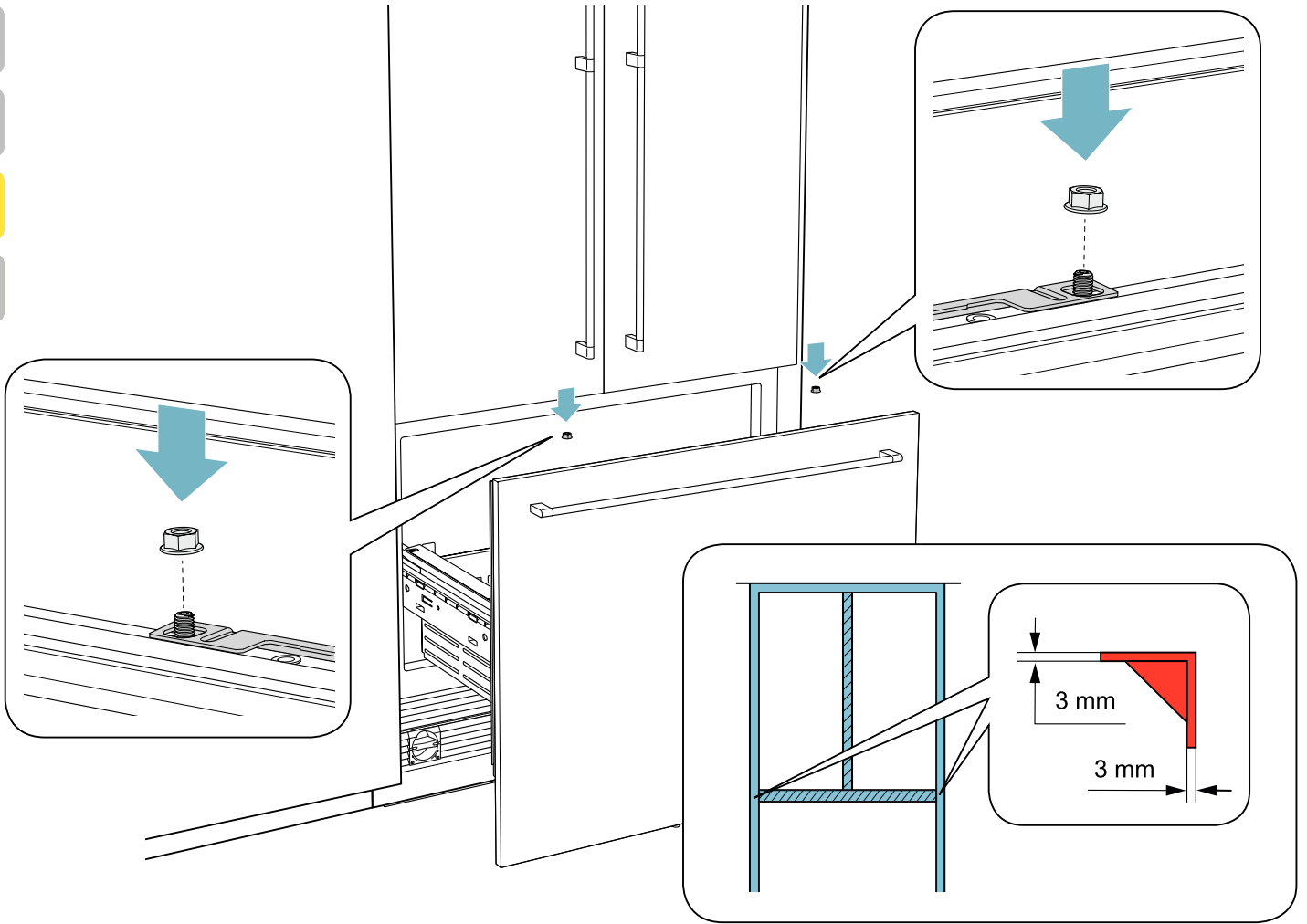
A
B
C
D

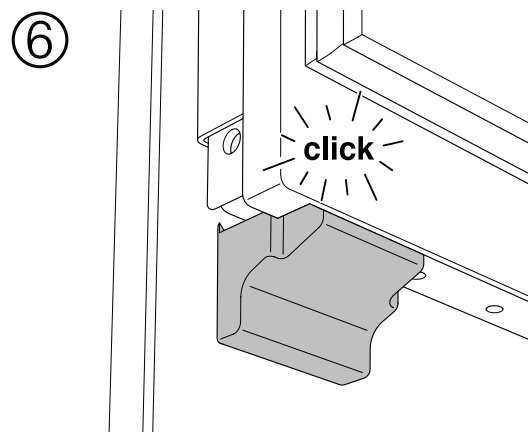
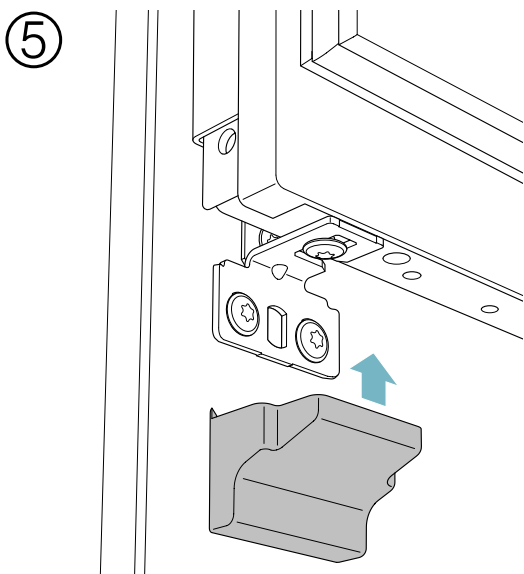
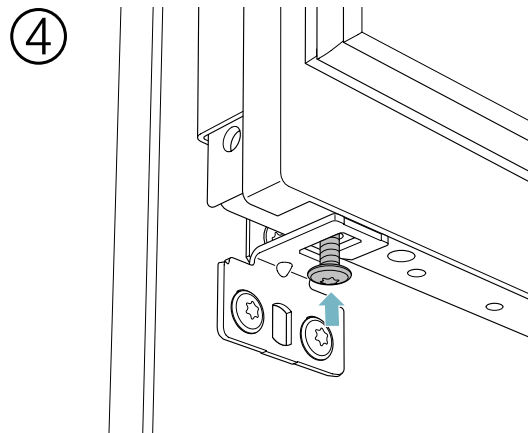
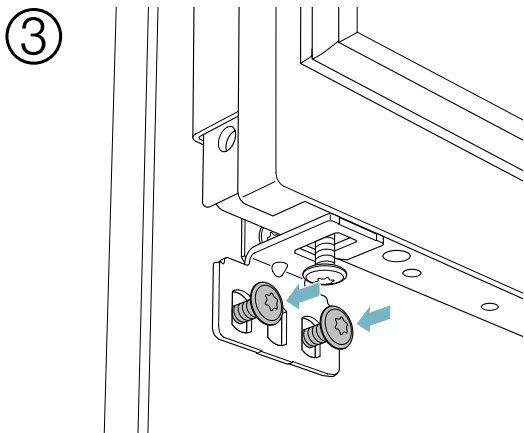
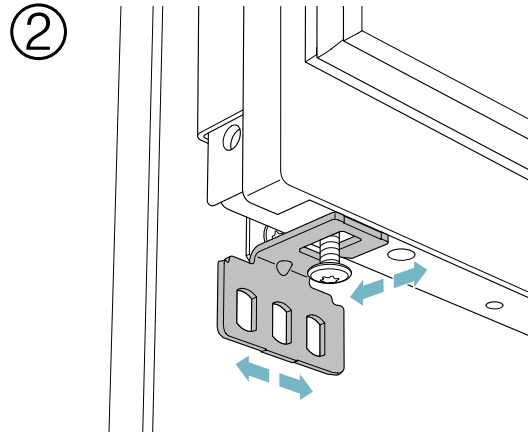
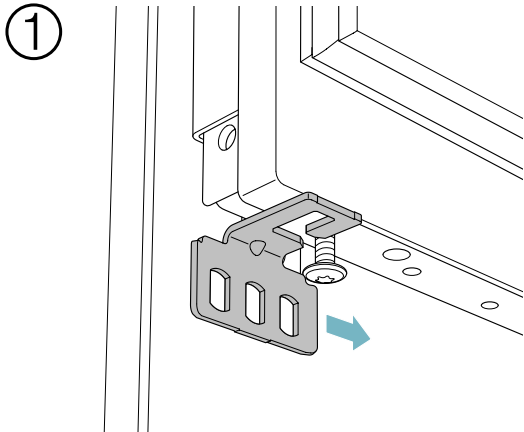
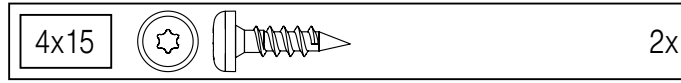
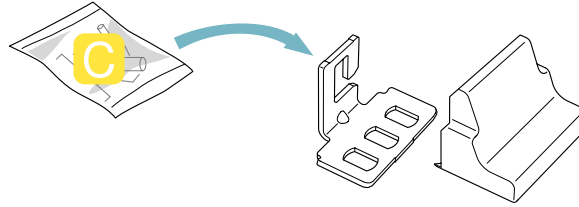
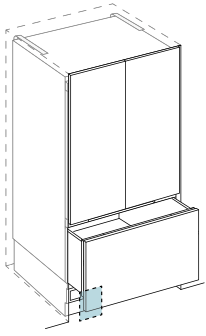
- A
- B
- C
- D



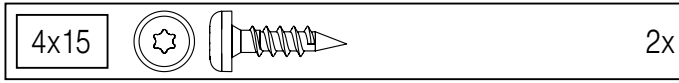
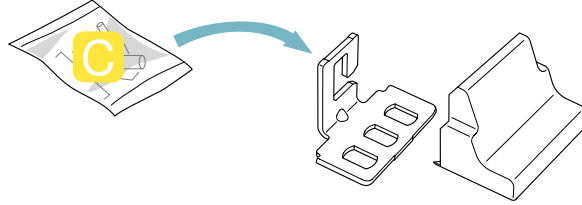
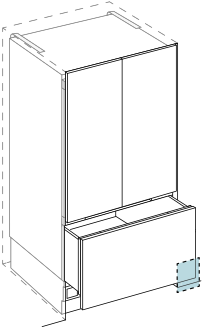


- A
- B
- C
- D

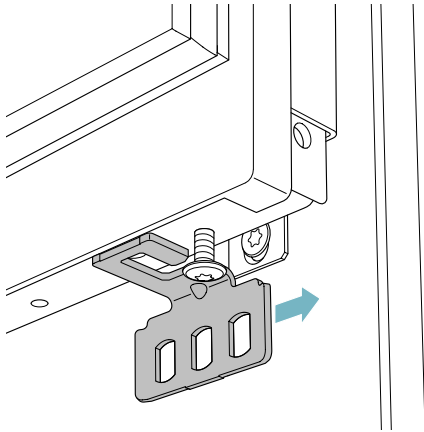




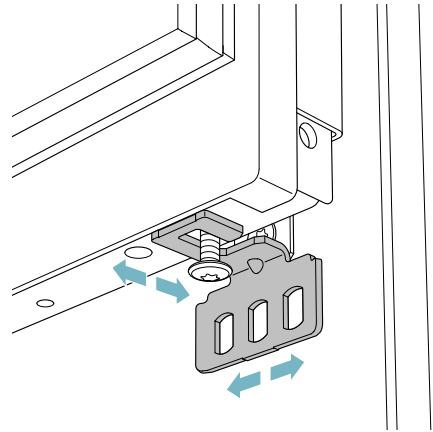
A
B
C
D



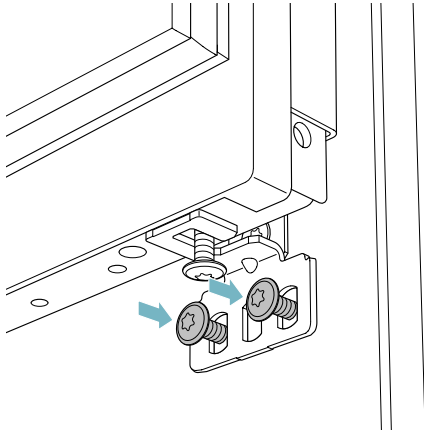
①



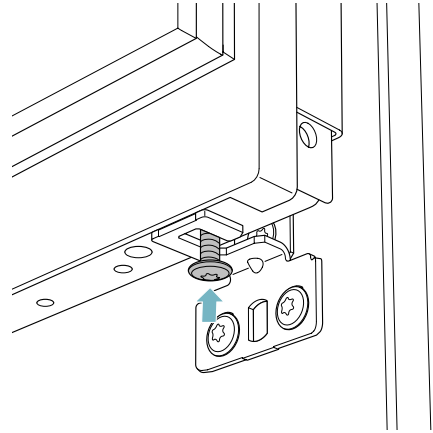
②



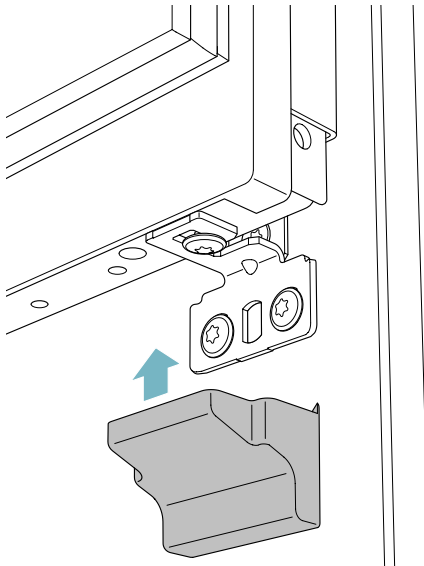
③



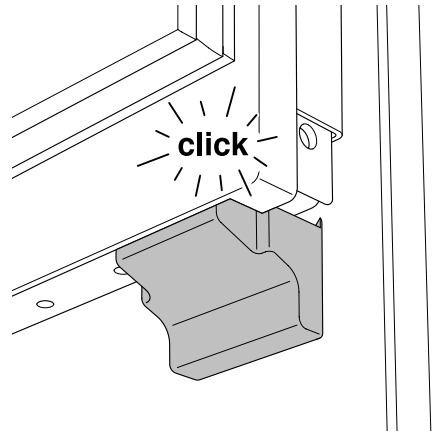
④

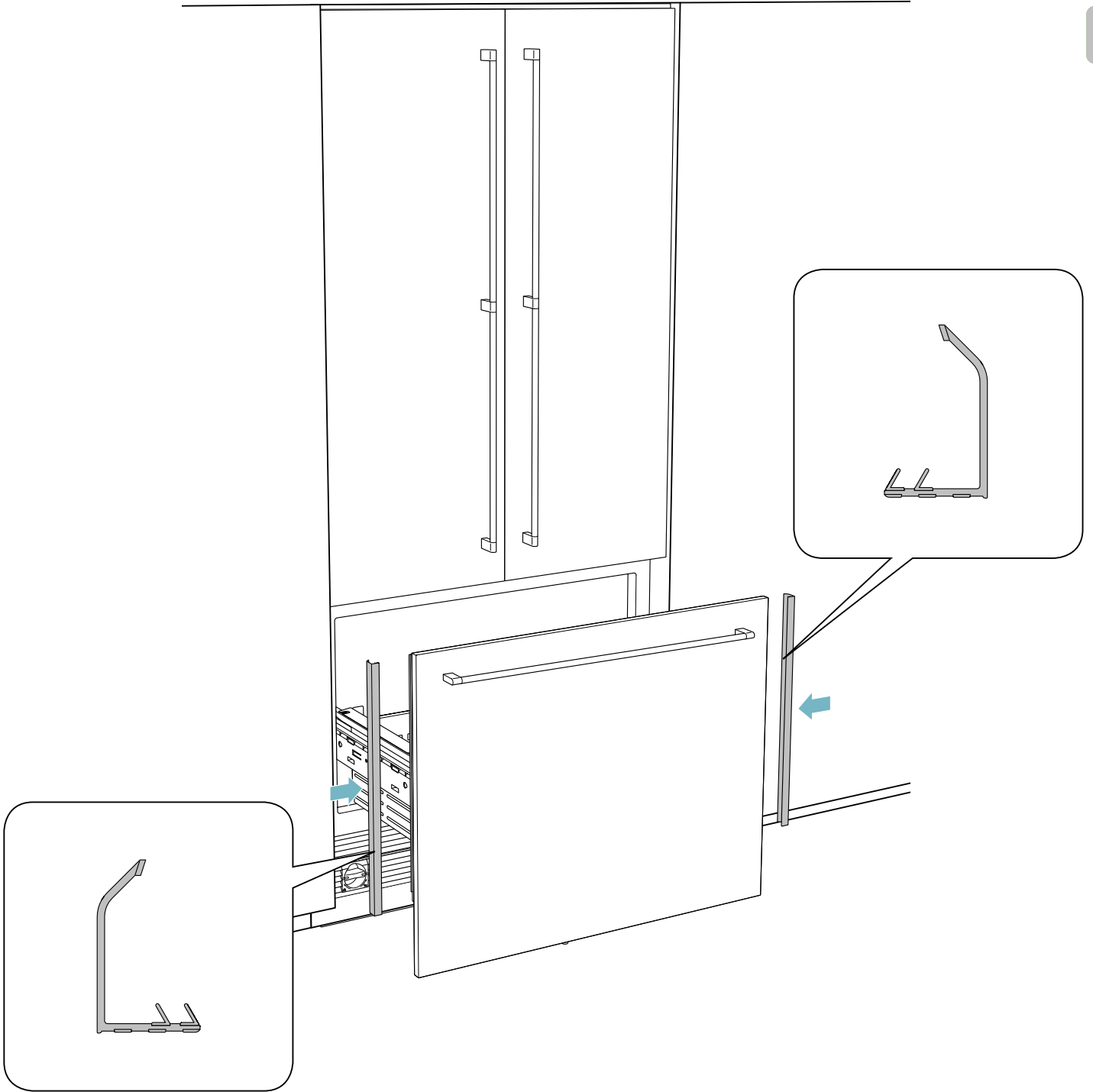


⑤

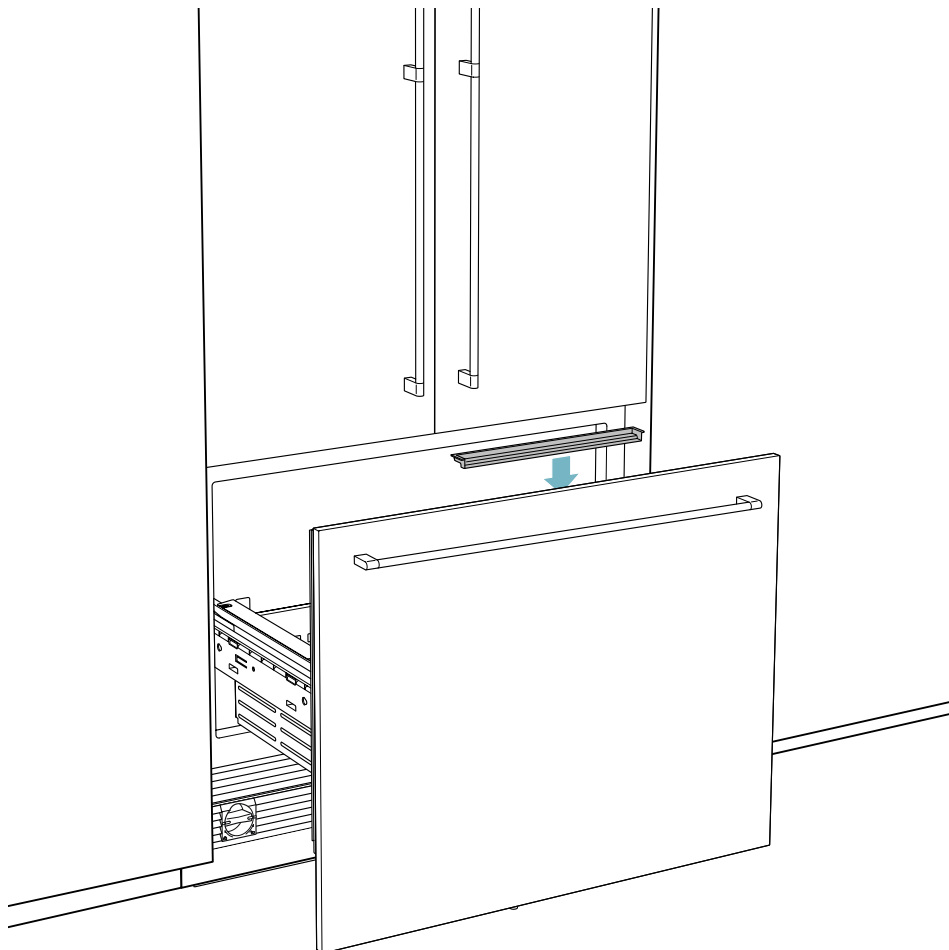
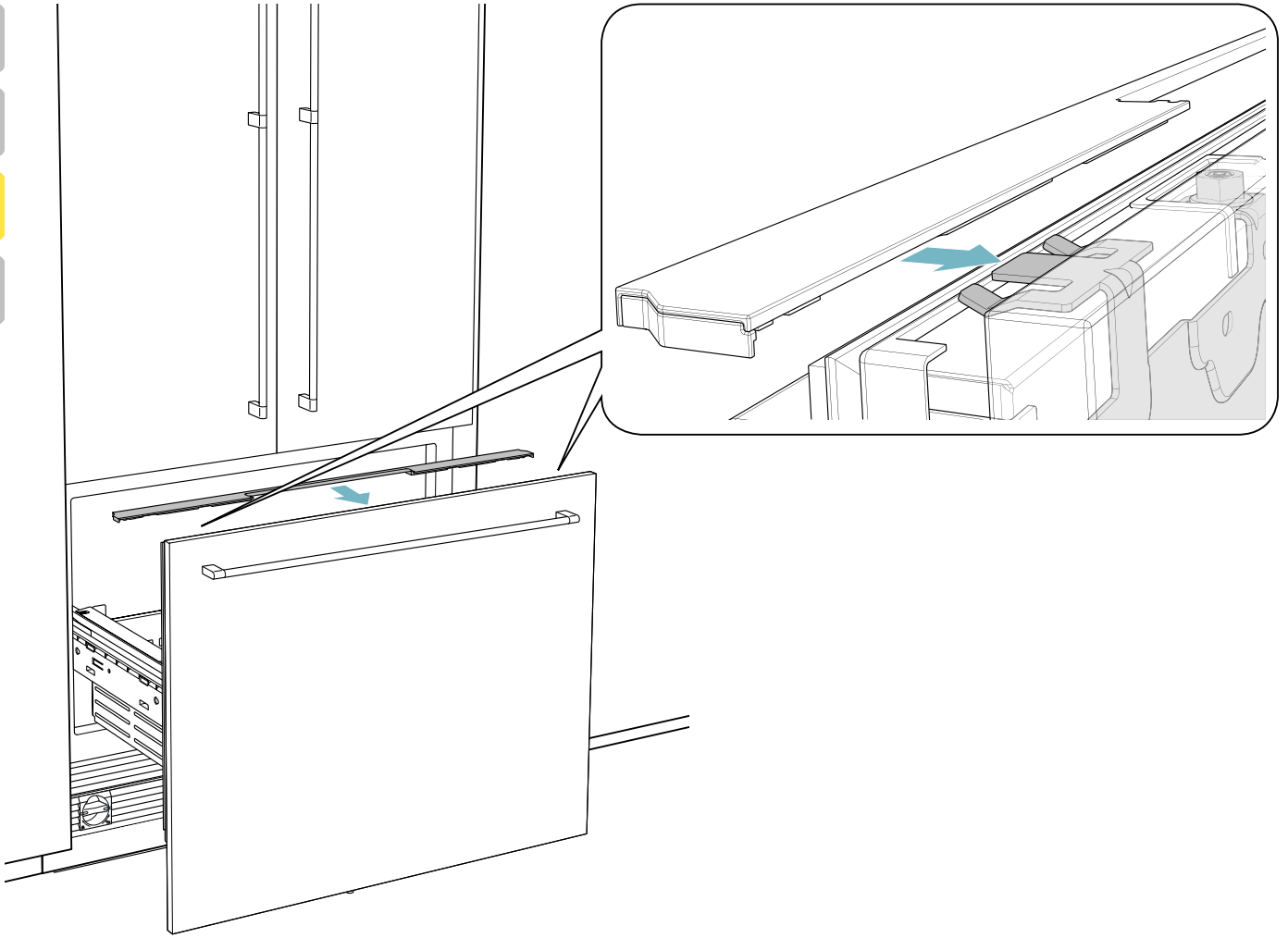


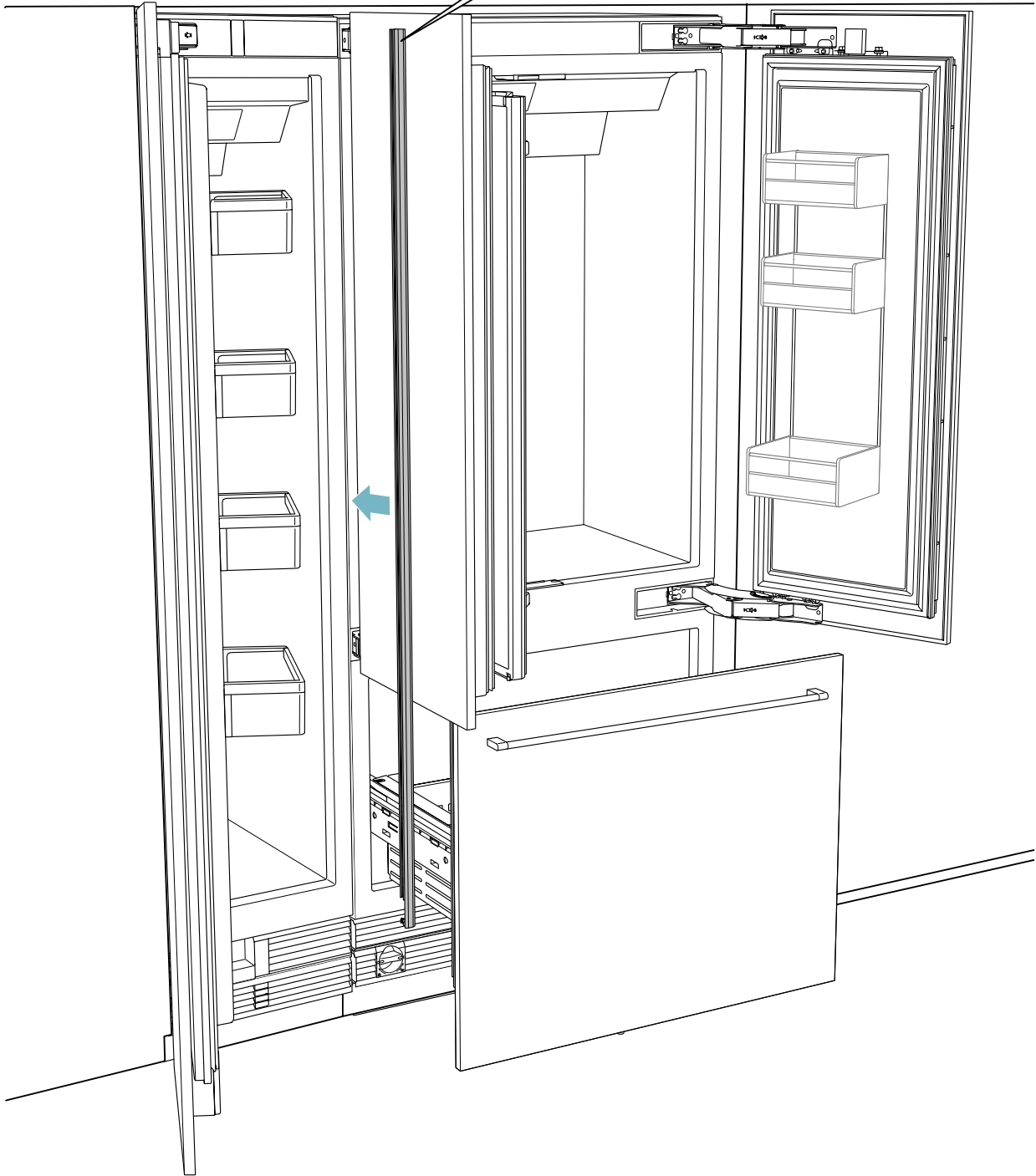
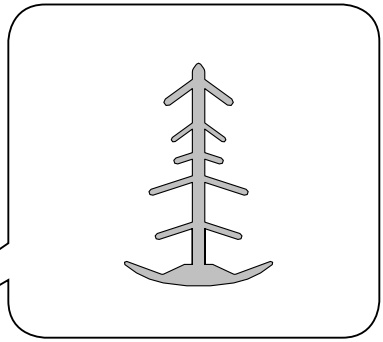
⑥

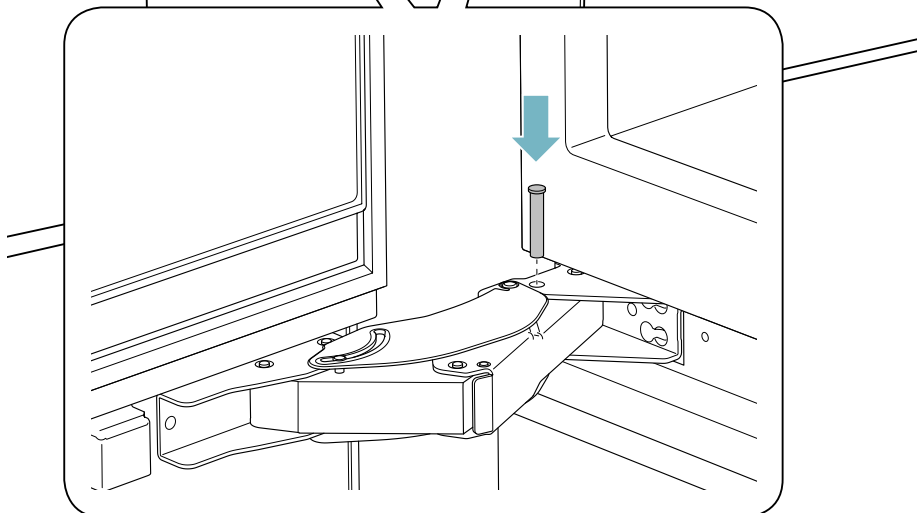
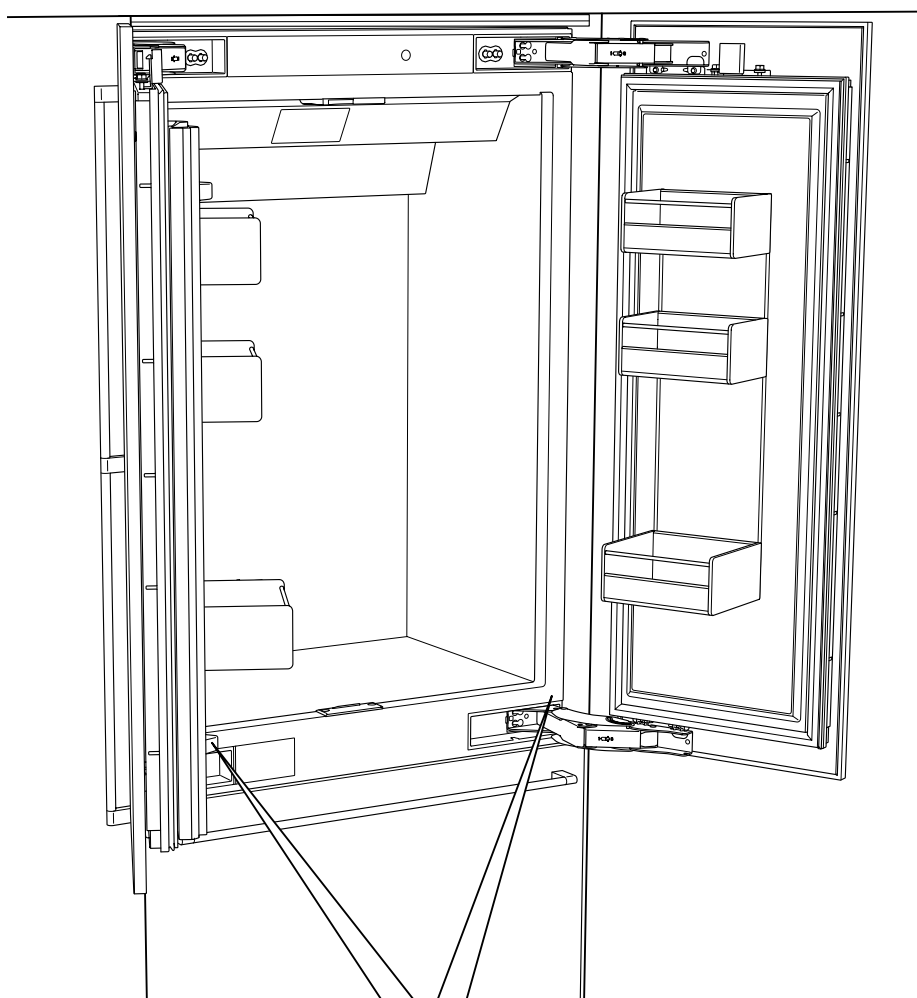
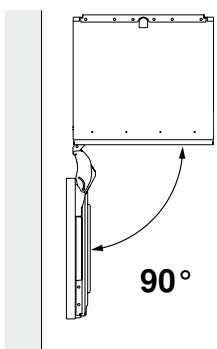
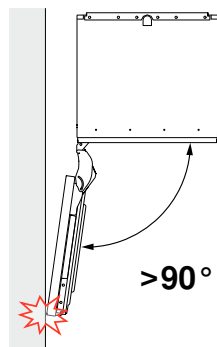
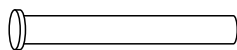


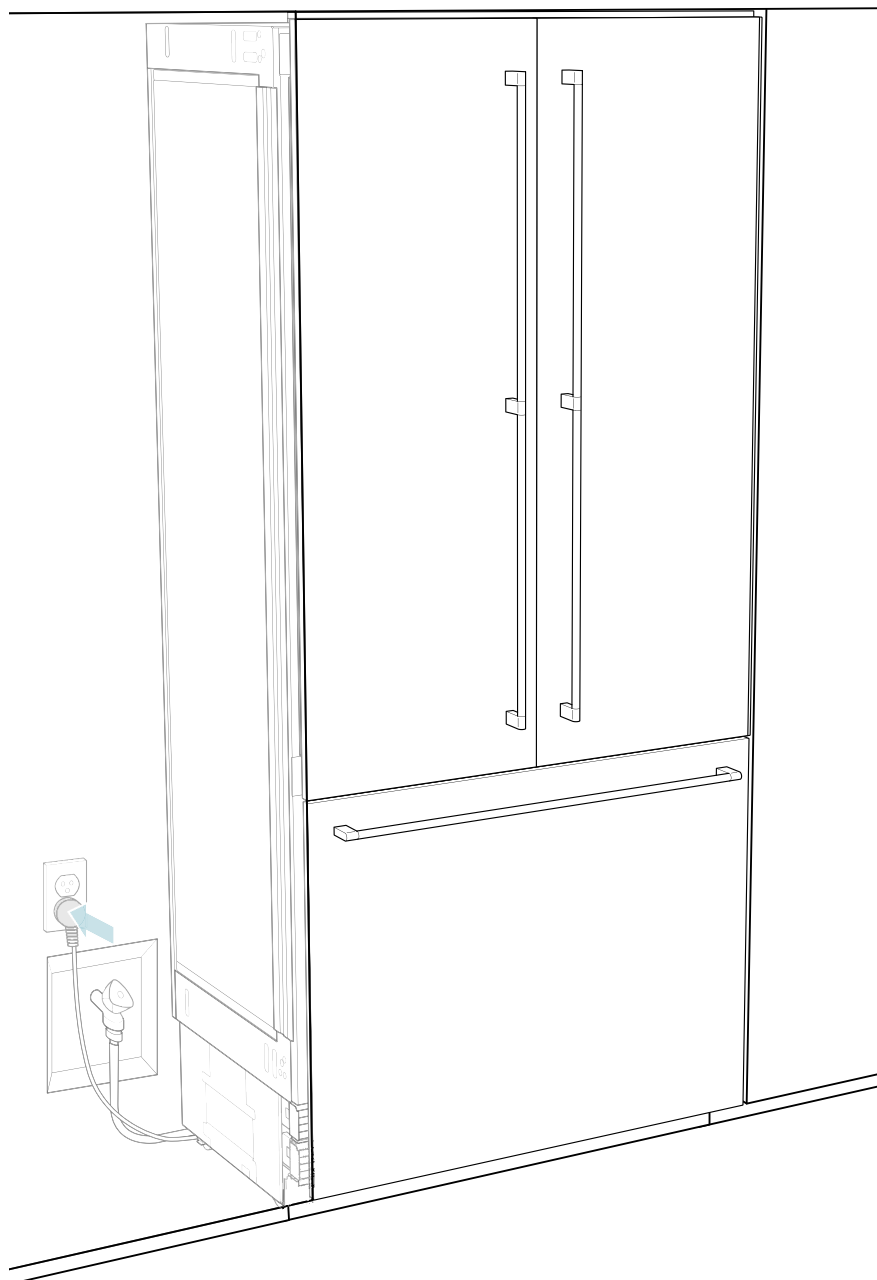


- A
- B
- C
- D









Gaggenau Hausgeräte GmbH
Carl-Wery-Straße 34
D-81739 München
www.gaggenau.com

8001170337 (9911)
xx

GAGGENAU

