

# Table Ventilation AT 400



---

# Contents

---

<b>Safety notes</b>	<b>4</b>
<b>Operating for the first time</b>	<b>5</b>
<b>Maintenance</b>	<b>5</b>
<b>Features of your new appliance</b>	<b>6</b>
<b>Accessories</b>	<b>7</b>
Special accessories	7
Accessories for installation	7
<b>Operating principle</b>	<b>8</b>
<b>Operation</b>	<b>9</b>
Ventilation	9
Intensive mode	9
Light	9
<b>Special functions</b>	<b>10</b>
Setting the intensive mode duration	10
Delayed shut-off	10
Interval ventilation	10
<b>Cleaning and care</b>	<b>11</b>
Cleaning the housing	11
Cleaning the grease filters	12
Replacing the activated carbon filter	13
Replacing the grease fine filter	13
<b>Lamp replacement</b>	<b>14</b>



## Safety notes

Do not operate a damaged appliance.

Carefully read through the operating instructions before operating the table ventilation. Keep the operating instructions for further reference.

The table ventilation is intended solely for household use and must not be put to any other uses. Do not extract hazardous or explosive substances and vapours!

Caution! Surfaces of the appliance may become hot when used in combination with cooking appliances.

Only operate the table ventilation with the grease filters fitted. **Warning, fire risk!** Very greasy, soiled filters ignite. Clean grease filters regularly!

Only operate the table ventilation with the fluorescent lamp fitted.

Use pots which fit the appliance. The top of the pot should not touch the top of the ventilator.

Only deep fry under constant supervision.

**Warning, fire risk!** Switch off the ventilation when you flambée meals!

Do not pour any liquid into the housing. If liquid accidentally enters the housing, it will come out at the base. You can continue using the appliance.

**Warning, risk of short circuit!** Do not use high-pressure or steam jet cleaning devices.

### Intended use

- This extractor hood complies with the stipulated safety regulations. Improper use may result in injury or damage.
- The extractor hood may be used in the household only. The manufacturer is not liable for damage which is caused by improper use or incorrect operation.
- The manufacturer cannot be made responsible for damage which can be attributed to non-observance of the safety instructions.

### RISK OF INJURY

Do not allow children to play with the extractor hood! Adults and children must never operate the appliance unsupervised

- if they are not physically or mentally capable of doing so,
- or if they do not have the knowledge and experience to operate the appliance correctly and safely.

### Technical safety

- The extractor hood left the factory in perfect condition. Nevertheless check the appliance for visible damage before installation. If it is damaged, do not switch it on!
- If the power cord of the extractor hood is damaged, it must be replaced by the manufacturer, his customer service or a similarly qualified person to prevent hazardous situations.
- Only a qualified technician may install (including electrical connection), service or repair the extractor hood. Always isolate the extractor hood by pulling out the mains plug or switching off the fuse!
- If the appliance is improperly installed, serviced or repaired, the user may be placed in considerable danger for which the manufacturer is not liable.
- Changes to the electrical or mechanical installation are dangerous and must not be undertaken! They may also cause the extractor hood to malfunction.

### Simultaneous operation of the extractor hood with a heating appliance which is dependent on ambient air

- Heating appliances which are dependent on ambient air, e.g. gas, oil, wood, or solid-fuel heaters, instantaneous water heaters, hot water boilers, hobs or ovens, and which draw combustion air out of the installation room and whose exhaust gases are conveyed to the exterior by a flue.

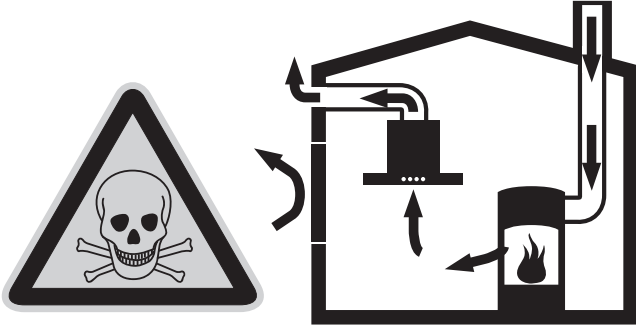
---

## Operating for the first time

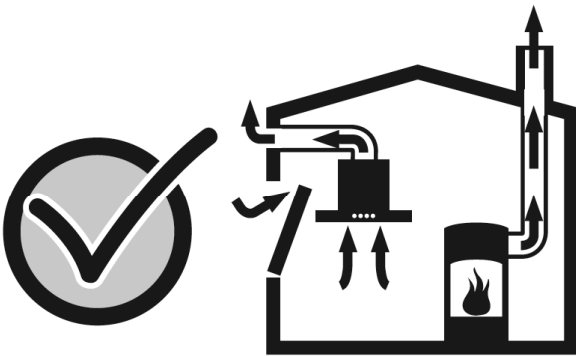
---

### RISK OF POISONING

If the extractor hood is operated at the same time as a heating appliance which is dependent on ambient air, there is a risk of poisoning due to combustion gases being drawn back in.



- Safe operation is possible provided the low pressure in the installation room of the heating appliance does not exceed 4Pa (0.04mbar). This can be achieved if the combustion air can flow through non-closable openings, e.g. in doors, windows, in conjunction with air intake/exhaust air wall boxes or by other technical measures.



- Adequate intake air must therefore always be provided.
- An intake/exhaust air wall box alone does not ensure compliance with the limit value.

**Note:** When making your evaluation, always consider the entire ventilation system in the home. Include the advice of a competent heating engineer when making your evaluation.

- If the extractor hood is used in circulating air mode only, it can be operated without any restrictions.

Remove the packaging from the appliance and dispose of it according to local regulations. Be careful to remove all accessories from the packaging. Keep packaging elements and plastic bags away from children.

The appliance must be installed and connected by an authorised specialist before operation. Observe the installation instructions!



This appliance is labelled in accordance with the European Directive 2002/96/EG concerning used electrical and electronic appliances (waste electrical and electronic equipment – WEEE). The guideline determines the framework for the return and recycling of used appliances as applicable.

Thoroughly clean the appliance and accessories before using them for the first time. This will eliminate any 'newness' smells and soiling.

When installing together with Vario appliances, the appliance cover (VD 400) needs to be removed. The frying basket holder cannot be used when operating the deep fryer VF 411 in front of the table ventilation.

---

## Maintenance

---

If the appliance does not function correctly, check the household fuses first. If the power supply is functioning correctly, but your appliance still does not work, please contact your dealer or your local Gaggenau customer service agency.

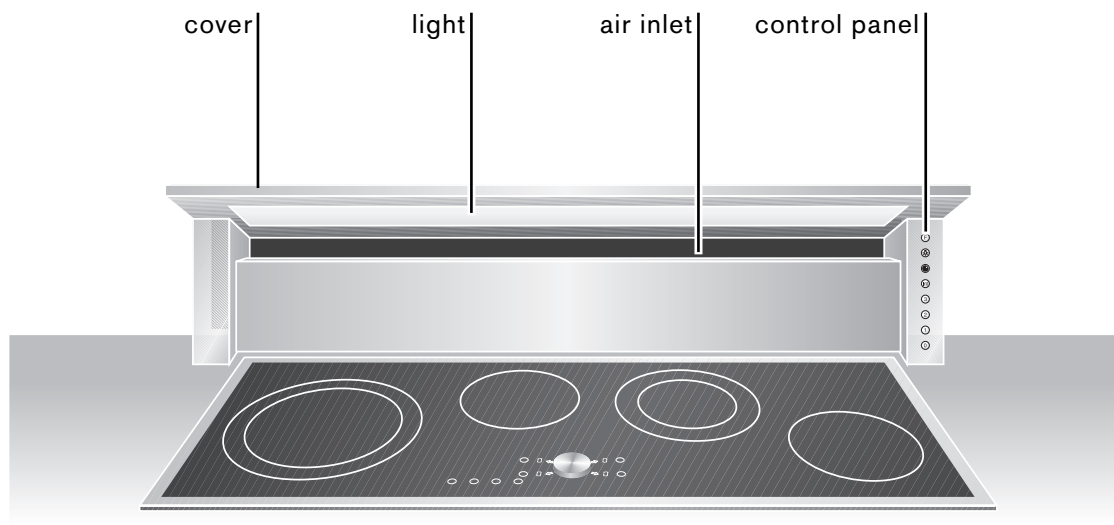
Repairs may only be carried out by authorised technicians, in order to guarantee the safety of the appliance.

Non compliance with these recommendations results in the warranty coverage becoming invalid.

The appliance must always be disconnected from the mains when being repaired. If all poles of the appliances cannot be isolated from the mains by removing an accessible plug, an isolating device with a contact gap of at least 3 mm must be installed (e.g. domestic fuse).

## Features of your new appliance

### Combination of AT 400-101 with Gaggenau hob CE 490 /CI 490



### Combination of AT 400-131 with three Gaggenau Vario 400 series appliances



### Control panel

ⓕ	grease filter saturation display
☀	light
⏸	delay shut off
Int	intensive mode
3	ventilation level 3
2	ventilation level 2
1	ventilation level 1
0	ventilation off

---

## Accessories

---

### Special accessories

Please order the following special accessories for air recirculation mode:

- **AA 409-100:** Activated carbon filter and grease fine filter for AT 400-100
- **AA 409-130:** Activated carbon filter and grease fine filter for AT 400-130

You can order the following special accessories for air exhaust mode:

- **476 358:** Grease fine filter for AT 400-100
- **476 363:** Grease fine filter for AT 400-130

You can order the following special accessories:

- **AA 400-200:** Glass cover, frosted, 106 cm, thickness 6 mm with spacers
- **AA 400-230:** Glass cover, frosted, 136 cm, thickness 6 mm with spacers
- **AA 400-010:** Wooden cutting board, beech, 53 cm

### Accessories for installation

You can order the following accessories for installation:

- **AA 409-400:** Furniture support 86 cm for AT 400-101
- **AA 409-430:** Furniture support 116 cm for AT 400-131

Recommended as bearer for the worktop, instead of a cabinet frame, or to support the fan housing, replacing the need for a cabinet base.

- **AA 409-900:** Telescopic extension for AT 400-101
- **AA 409-930:** Telescopic extension for AT 400-131

Telescopic extension max. 110 mm between table ventilation and fan housing.

- **AA 010-410:** Air exhaust grille for AT 400-101/131. Stainless steel colour, 90cm as IK 300. Including installation fittings. Height adjustable.
- **ZB 020-090:** Additional louvre for air exhaust grille AA 010-410. Height 30 mm, several louvres can be installed.
- **AD 7.. :** Cylindrical pipe ducts for air extraction
- **AD 8.. :** Flat rectangular ducts for air extraction

---

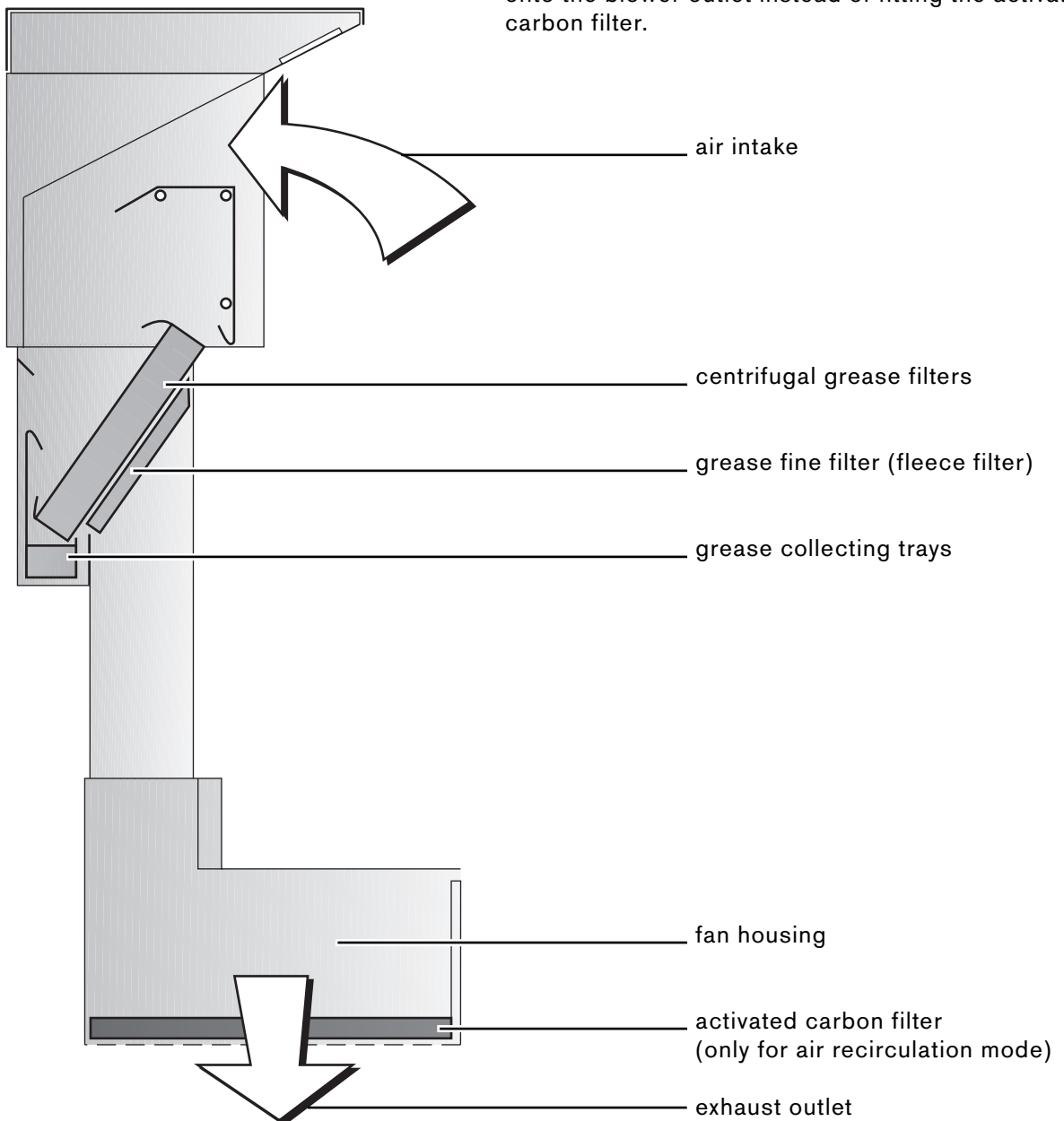
## Operating principle

---

The table ventilation is an effective air recirculation system, which extracts the vapours directly behind the cooktop towards the rear. The centrifugal grease filters separate the greasy components from the extracted air. The grease is collected in the trays. The grease fine filter absorbs any remaining grease particles. The activated carbon filter in the fan housing traps odours, the exhaust outlet for the clean air is in the furniture plinth.

For air recirculation mode in combination with VR or VP: observe the tips to avoid smoke when frying or grilling.

For air exhaust mode an exhaust air duct is fitted onto the blower outlet instead of fitting the activated carbon filter.





---

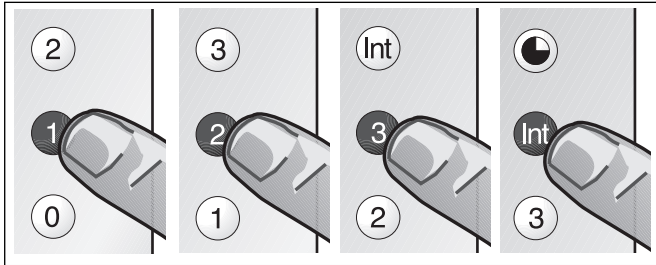
## Operation

---

When pressed, all functions selection keys are backlit in green, except 0 ("Motor off").

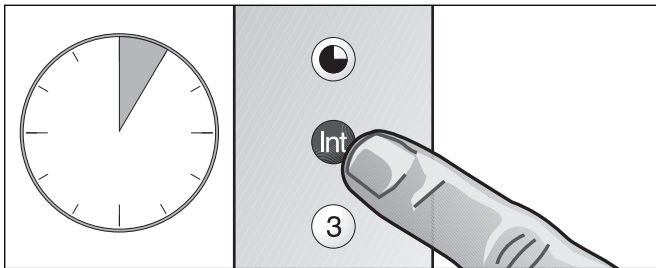
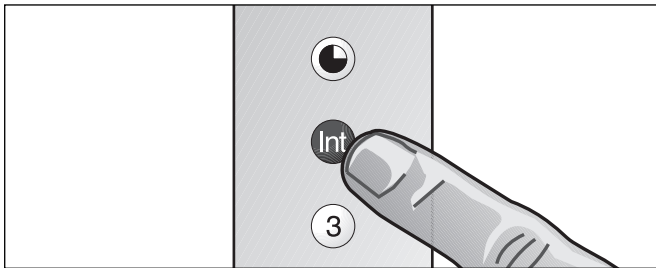
### Ventilation

Three fan speeds and one intensive speed are available. You set the fan speed required for each respective cooking process by pressing the function selector keys **1**, **2**, **3** or **Int**.

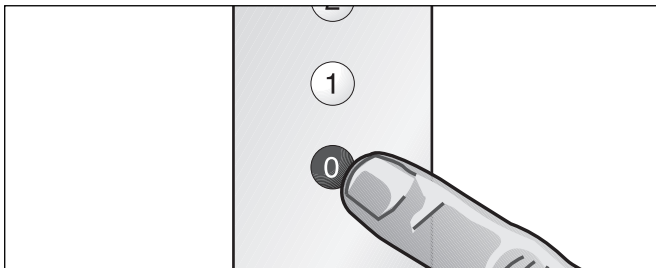


### Intensive mode

The **Int** key for the intensive level should be pressed when browning and frying in an open pan. If you have switched on the ventilator by selecting the intensive level, it will be switched off again automatically after 5 minutes.




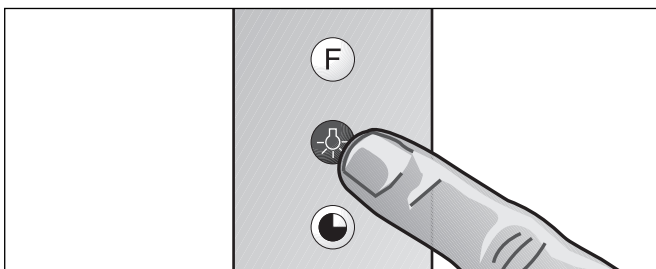
If you press the **Int** key while the ventilator is running at fan level **1**, **2** or **3**, the electronic control will switch back automatically to the previously selected fan level after 5 minutes.



If you would like to end the intensive level before the 5 minutes have elapsed, press the **0** key ("Motor off") or select a different level. It is possible to switch off the fan at any time by pressing the **0** key ("Motor off").

### Light

The lighting can be switched on or off, regardless of whether the ventilator extractor is in operation, by pressing the  key.



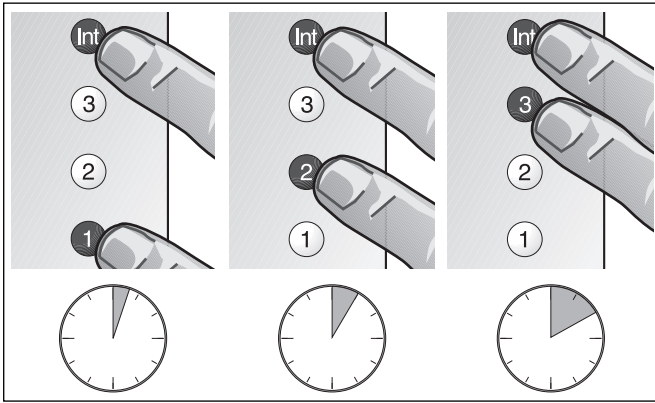
---

## Special functions

---

### Setting the intensive mode duration

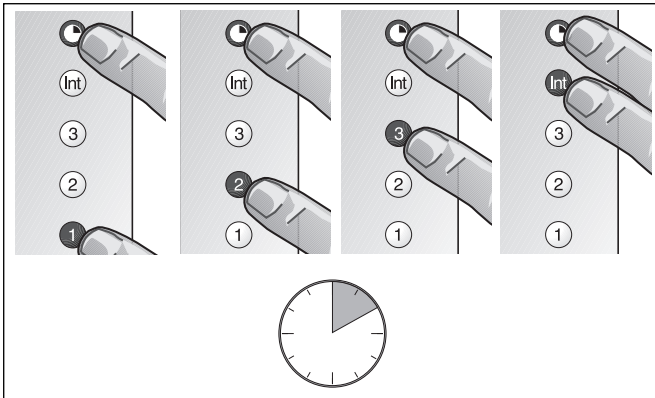
You can select an intensive level running time of 3, 5 or 10 minutes by simultaneously pressing the **Int** key and the **1**, **2** or **3** key. When delivered, the appliance is set to five minutes, i.e. the combination of the **Int** key and the key **2**.



### Delayed shut-off

Delayed shut-off is possible at any level. First press the required key **1**, **2**, **3** or **Int** and then press the **⏻** key.

The delayed shut-off time for all levels is ten minutes. After these ten minutes, the fan switches off, but the lighting stays on.

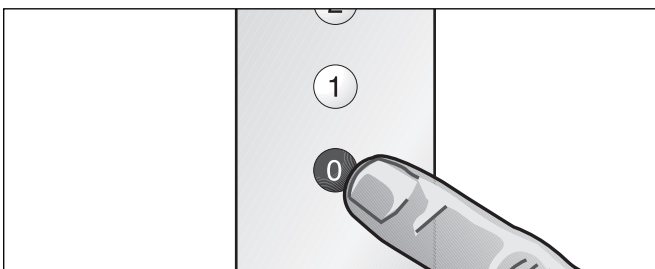
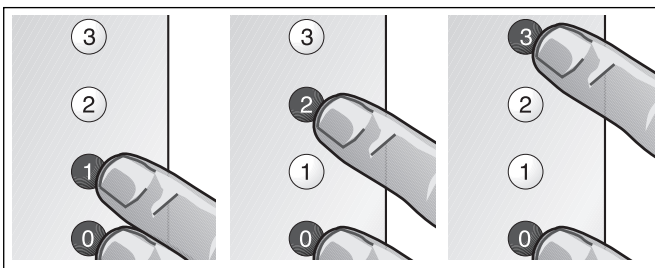


### Interval ventilation

Interval ventilation is a special feature of this appliance which periodically activates the fan for five minutes every hour. You can activate this function by simultaneously pressing the **0** key and, depending on the required extraction capacity, the **1**, **2** or **3** key.

This mode of operation is indicated by alternating illumination of the **⏻** key together with the corresponding fan level indicator.

You can switch off interval ventilation by pressing the **0** key.

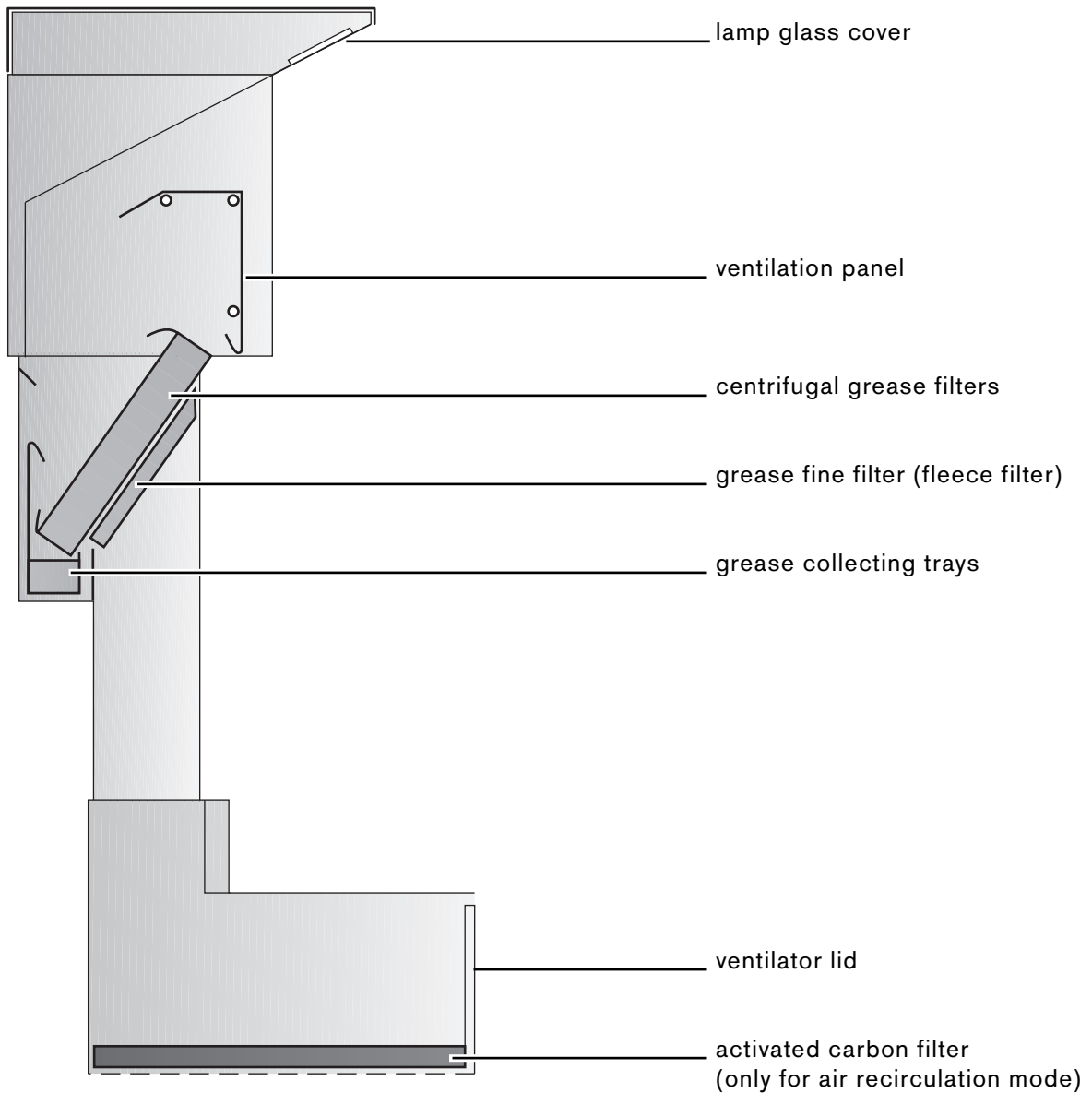


### Cleaning the housing

Clean the stainless steel surface of the ventilator housing with mild detergent solution or a non-scouring stainless steel cleaner. Only wipe in the direction of the brushed surface. To finish, apply some stainless steel care agent with a soft cloth.

Do not use aggressive, abrasive or caustic cleaning agents. Do not use cleaning agents that contain sand or chloride. Do not use scouring pads or brushes.

Use glass cleaner and a soft cloth to clean the lamp glass cover. Do not put stainless steel cleaner onto the lamp glass cover.



## Cleaning the grease filters

The grease filter saturation display F flashes after an operating time of 10 hours to indicate that you should clean the grease filters.

Depending on the cooking habits it may be necessary to clean the grease filters at shorter intervals (for example if kitchen smells appear when the ventilation is switched off).

The centrifugal grease filters can be easily removed for cleaning:

- 1 Disconnect the appliance from the mains (switch off fuse).
- 2 Tilt the ventilation panel to the rear. For easier cleaning you can remove the panel: On both sides of the panel at the top, lift over the studs and remove to the front.
- 3 Remove the centrifugal grease filters one by one (from right to left).
- 4 Remove the grease collecting trays (from right to left) and empty.

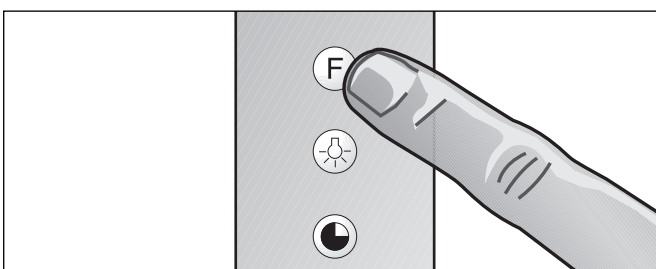
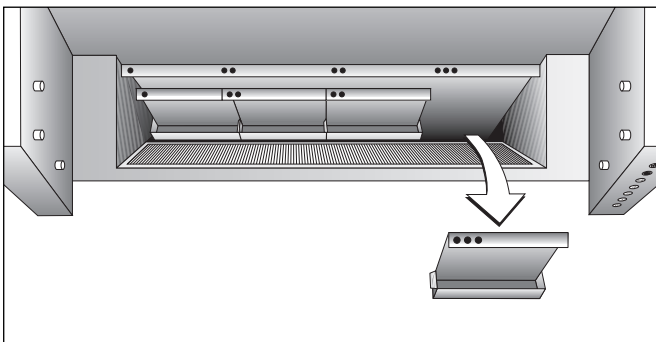
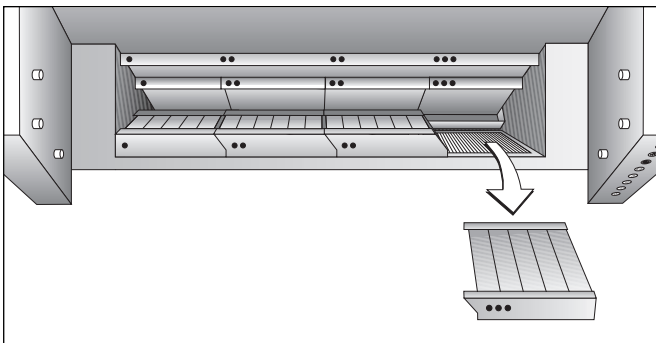
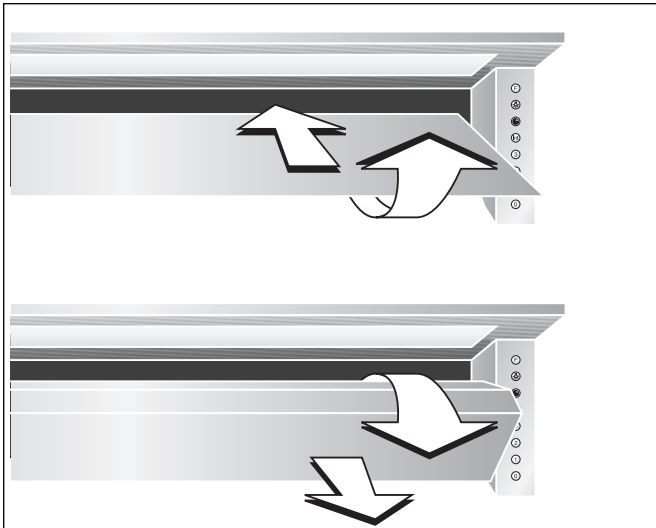
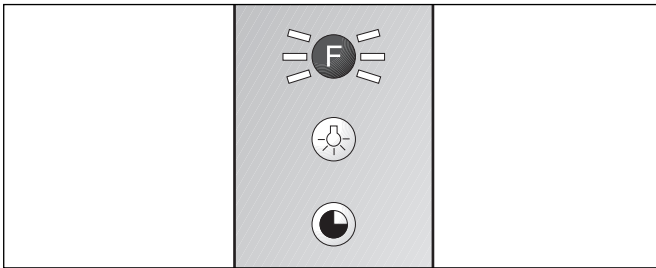
You can clean the centrifugal grease filters and the grease collecting trays in a dishwasher. Place the filters upright in the dishwasher, with the opening face down.

Wipe out the inner parts of the housing with a moist cloth and some detergent when removing the filters. **Caution:** Beware of protruding parts when cleaning the inside of the housing.

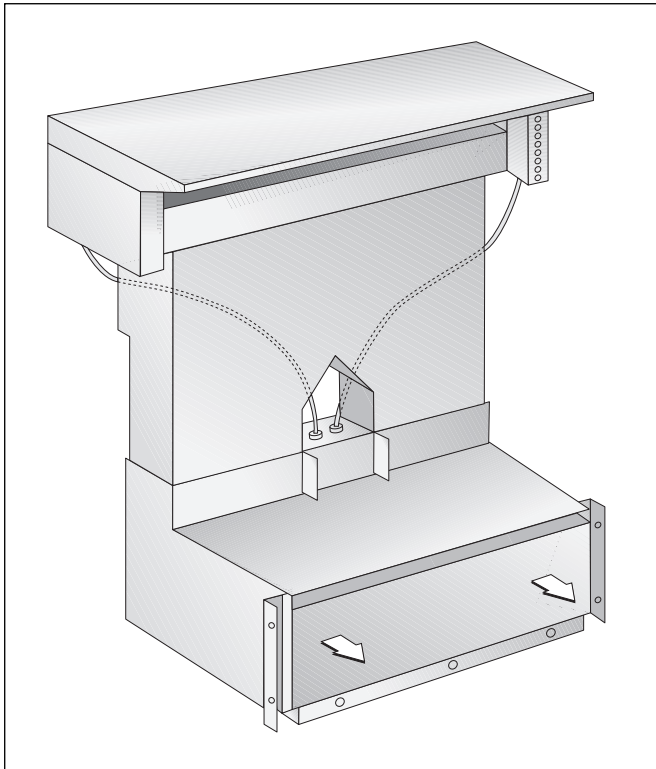
Do not pour any liquid into the housing. If liquid accidentally enters the housing, it will reappear at the base.

Refit the grease filters in the correct order (from left to right). Refit the parts so that the markings correspond with the markings on the housing.

Press the F key to reset the counter. Flashing of the indicating lamp goes off.



## Replacing the activated carbon filter (only for air recirculation mode)



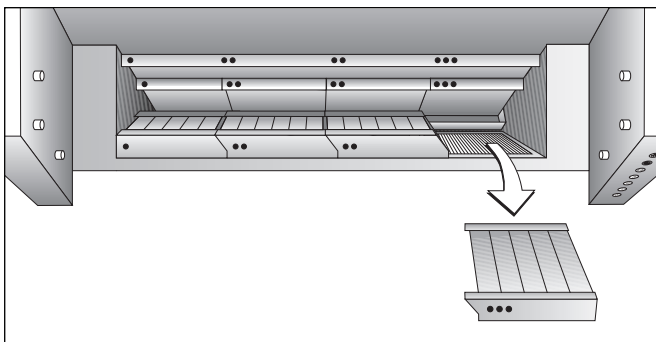
The activated carbon filter in the fan housing (lower part of the appliance) eliminates smells from the extracted air. For hygienic reasons, change the activated carbon filter together with the grease fine filter at least every six months or when kitchen smells appear. The activated carbon filter with the grease fine filter is available from your specialist dealer. Only use original filters.

**Note: If no activated carbon filter is fitted or if it is saturated, no odours can be removed from the circulating air.**

- 1 Disconnect the appliance from the mains (switch off fuse).
- 2 Open the latches on the bottom of the fan housing. Take off the ventilator lid by pulling the bottom edge.
- 3 Remove activated carbon filter. Insert new activated carbon filter. The filter mat must lie flat.
- 4 Refit the ventilator lid.

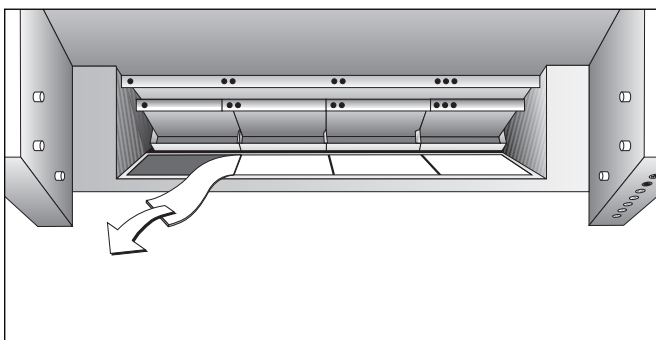
Activated carbon filters do not contain any polluting substances. They can be disposed of through the household refuse collection.

## Replacing the grease fine filter



The grease fine filter (fleece filter) is fitted behind the centrifugal grease filters.

- 1 Disconnect the appliance from the mains (switch off fuse).
- 2 Tilt the ventilation panel to the rear.
- 3 Remove the centrifugal grease filters one by one (from right to left).
- 4 Pull out the grease fine filter from the mounting.
- 5 Push the new grease fine filter under the braces. Refit the centrifugal grease filters in the reverse order (from left to right).

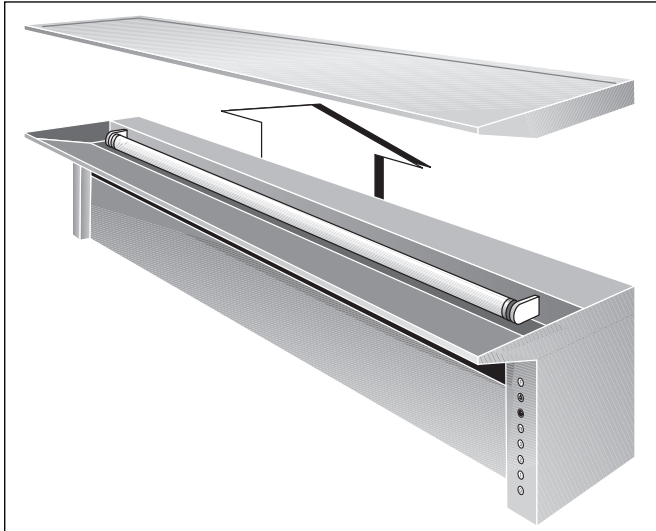


Grease fine filters do not contain any polluting substances. They can be disposed of through the household refuse collection.

---

## Lamp replacement

---



**Wait until the appliance has cooled down before replacing lamp.**

- 1** Disconnect the appliance from the mains (switch off fuse).
- 2** Remove loose objects from the cover.
- 3** Lift off cover.
- 4** First turn florescent lamp in the socket, then lift off fluorescent lamp.
- 5** Only replace defective fluoresent lamp by lamp of the same type.
- 6** Insert the new fluorescent lamp into the socket. Turn the fluorescent lamp in the socket until it engages.
- 7** Evenly replace cover onto the appliance.
- 8** Connect the unit to the power mains again.



**Gaggenau Hausgeräte GmbH**  
Carl-Wery-Straße 34  
D-81739 München  
[www.gaggenau.com](http://www.gaggenau.com)

9000137543 EB 8910 en

**GAGGENAU**