

Operating and Assembly Instructions

**AW 200**

**AW 201**

**AW 202**

**AW 210**

**AW 211**

Extractor Hood



**GAGGENAU**



AW 200  
AW 201  
AW 202  
AW 210  
AW 211

## **Preface**

<b>1. Important notes</b>	Page 3-4
1.1 For your safety	Page 3
1.2 Operating for the first time	Page 4
1.3 About use	Page 4
<b>2. Features</b>	Page 5
<b>3. Operation</b>	Page 6-8
<b>4. Cleaning and care</b>	Page 9-10
<b>5. Maintenance</b>	Page 11
<b>6. Assembly instructions</b>	Page 12-17
6.1 Technical data	Page 12
6.2 Installation	Page 12-17

# Preface

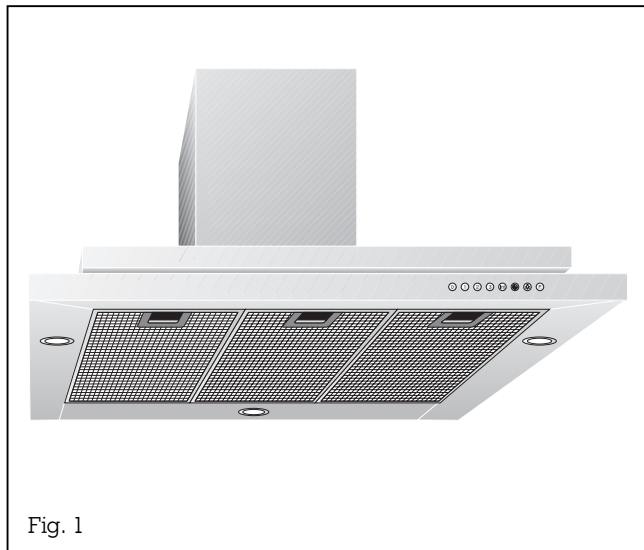


Fig. 1

**With your new extractor hood, working in the kitchen will be even more fun.**

The appliance offers you a number of **advantages:**

- a good extraction capacity with low noise values,
- a large number of control functions,
- optimum illumination of the cooking surface by a dimmable halogen light.

To ensure that you will be able to use this appliance in all its diversity, read through the operating and assembly instructions conscientiously **before operating it for the first time**. The instructions contain **important notes** on use, installation and maintenance of the appliance.

On the following page you will find **important notes on safety** and **operation**. These will serve to ensure your personal safety and the lasting value of your appliance.

You will find notes on page 4 that you ought to observe **before operating the appliance for the first time**.

The chapters entitled **“Structure and operating principle”** and **“Operation”** will tell you all the things your extractor hood is capable of doing and how the appliance is operated.

Tips and hints in the chapter entitled **“Cleaning and care”** will make sure that your appliance will stay operable and beautiful for a long time.

**And now we wish you lots of fun with your new extractor hood.**

# 1. Important notes

## 1.1 For your safety

- Damaged appliances must not be operated.
- The appliance must only be connected by an **authorised specialist**, paying attention to the relevant regulations of the power supply companies and the regional construction regulations.  
**Also observe the assembly instructions!**
- Connecting cables must not come into contact with hot cooking surfaces.
- Do not operate the extractor hood without inserted lamps.
- Never operate the appliance without a grease filter.
- Hazardous or explosive substances and vapours must not be extracted!
- The user is responsible for expert use and the perfect condition of the appliance.
- Only ever operate the appliance under supervision.
- **Caution!** Over-greased filters are a fire risk! Only ever deep-fry under the extractor under constant supervision. Be sure to clean the grease filter on a regular basis and change the activated charcoal filter.
- **Fire risk!** Do not flambé meals under the extractor hood!
- Operation of the extractor hood above a hearth for solid fuels, which poses a fire risk (e.g. sparks) is only permitted, if the hearth possesses a **closed and fixed lid**. The current local regulations must be obeyed. This does not apply to gas hobs and gas cookers.
- Hobs may only be used under the extractor hood when pots and pans are placed on them!
- When using more than 3 gas-operated rings at the same time, please operate the extractor hood at level 2 or higher. This prevents a build-up of heat in the appliance.
- For safety reasons, do not place any heavy objects on the top of the appliance.
- Do not clean the appliance with a steam cleaning apparatus or with water pressure because this poses a **risk of short-circuits**.
- Isolate the appliance from the mains during every maintenance operation. To do this, remove the mains plug or actuate the corresponding fuse.  
If the mains plug is not accessible, the appliance must be switched off at fuse point.
- Repairs must be carried out by authorised specialists, thus ensuring electrical safety.
- No warranty claims can be lodged in the event of damage caused by failure to observe these instructions.
- Adequate incoming air must be ensured if a wood, coal, gas or oil heater or an open hearth is operated in the same room as the one in which the hood is installed.
- Safe operation is possible whenever the partial vacuum in the place where the firing equipment is installed does not exceed 4 Pa (0.04 mbar). This can be achieved whenever the air needed for combustion is able to enter through openings that cannot be sealed, for example in doors, windows, incoming/exhaust air wall boxes or other technical means.
- If the appliance is to be operated only with the window open (to ensure adequate incoming air), you can use the **window switch**. A switch (normally open) is fitted on the window. On the appliance, this switch is connected to the window switch terminal on the main electronics. The appliance can now only be operated when the window is open.  
**Important:** the window switch must only be connected by an authorised specialist.  
Note: the light function works without restriction.
- After a power failure, the extactor will not go on again automatically. You can recommence operation by turning a knob or by pressing any key.

**Technical modifications reserved.**

---

## 1.2 Operating for the first time

Before operating the appliance for the first time, please pay attention to the following notes:

- The appliance must be installed and connected by a specialist before it is operated for the first time.
- Conscientiously read through the operating and assembly instructions before operating the appliance for the first time.
- Remove the packaging from the appliance and dispose of it properly! Pay attention to the fact that there are accessories in the packaging! Keep packaging elements out of the reach of children!
- Thoroughly clean the appliance before using it for the first time (see chapter “Cleaning and care”).
- Before operating the appliance for the first time, check that the mains connection is in proper working order.

## 1.3 About use

- The appliance is intended solely for use in the household and must not be put to any other uses.
- In the event of malfunctions, first of all check the household fuses. If the problem has nothing to do with the power supply, please contact your specialist dealer or your local Gaggenau after-sales service.

## 2. Features

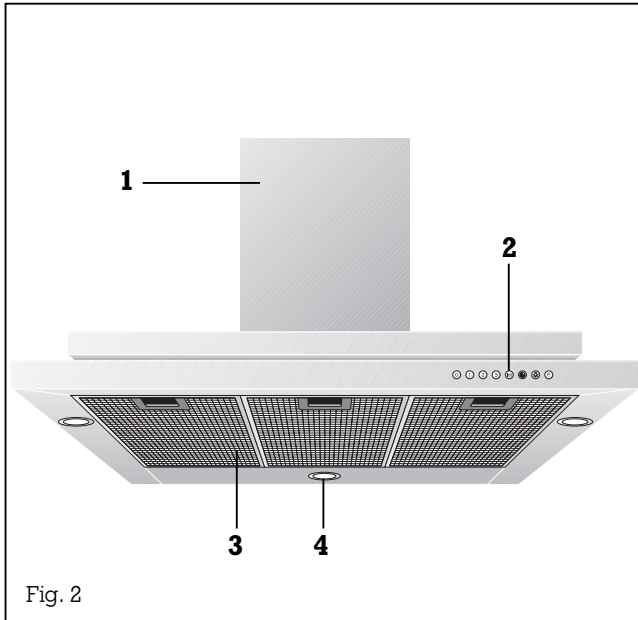


Fig. 2

- 1 Ventilation duct
- 2 Control panel
- 3 Grease filters (2 grease filters for 70 cm hood, 3 grease filters for 90 cm hood, 4 grease filters for 120 cm hood)
- 4 Lighting

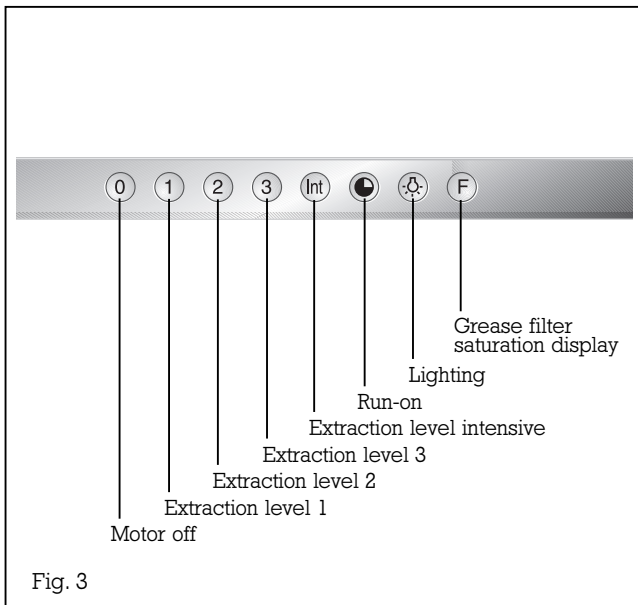


Fig. 3

### Installation accessories for exhaust air mode

Stainless steel-design ventilation duct:

**AD 010-012** for ceiling heights of 2.25-2.64 m

**AD 010-022** for ceiling heights of 2.64-3.03 m

Aluminium-design ventilation duct:

**AD 011-012** for ceiling heights of 2.25-2.64 m

**AD 011-022** for ceiling heights of 2.64-3.03 m

### Installation accessories for circulating air mode

Stainless steel-design ventilation duct:

**AD 010-112** for ceiling heights of 2.36-2.64 m

**AD 010-122** for ceiling heights of 2.64-3.03 m

Aluminium-design ventilation duct:

**AD 011-112** for ceiling heights of 2.36-2.64 m

**AD 011-122** for ceiling heights of 2.64-3.03 m

## 3. Operation

After they have been pressed, all functions selection keys except **0** ("Motor off") are backlit in green.

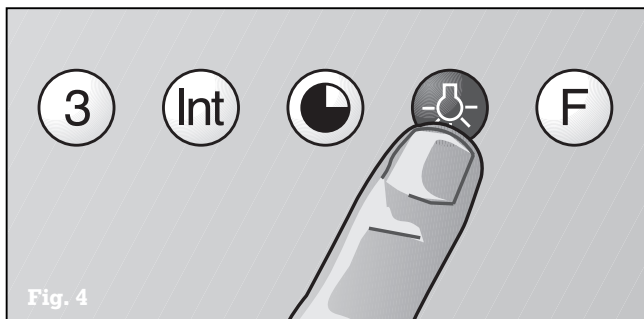





Fig. 4

### Light

The lighting can be switched on or off, regardless of whether the wall extractor is in operation, by pressing the  key (see Fig. 4).

When you briefly press the  key, the lighting is increased up to the maximum level.

You can dim the lighting to the required level by keeping the  key pressed.

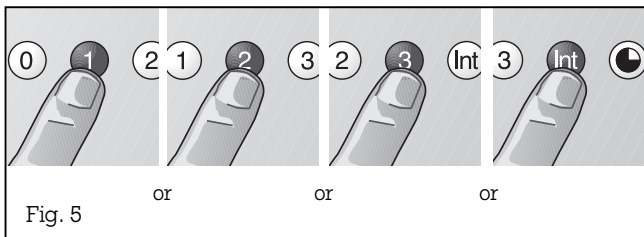
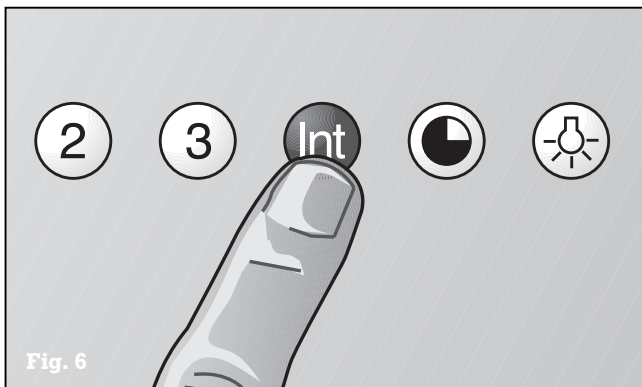


Fig. 5

### Fan levels

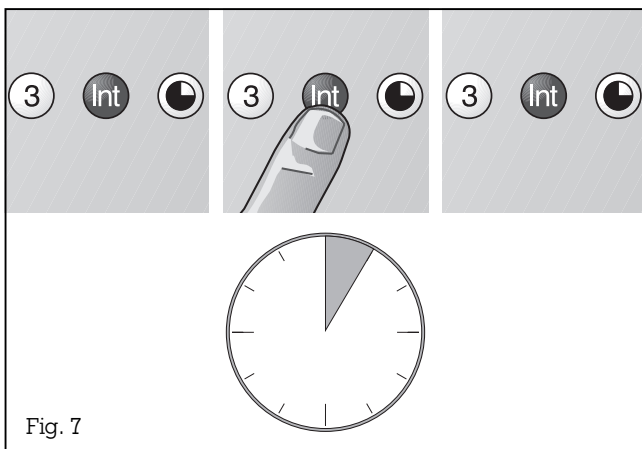
Three fan speeds and one intensive speed are available (see Fig. 5). You set the fan level required for each respective cooking situation by pressing the function selector keys **1, 2, 3** or **Int**.



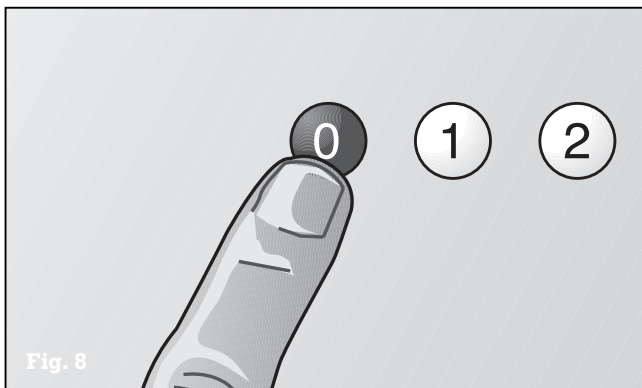


The **Int** key for the intensive level should be pressed when browning and frying in an open pan (see Fig. 6).

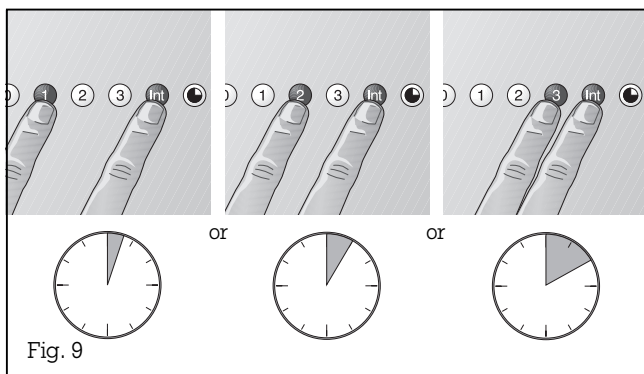
If you have switched on the hood by selecting the intensive level, it will be switched off again automatically after 5 minutes.



If you press the **Int** key while the hood is running at fan level **1**, **2** or **3**, the electronic control will switch back automatically to the previously selected fan level after 5 minutes (see Fig. 7).



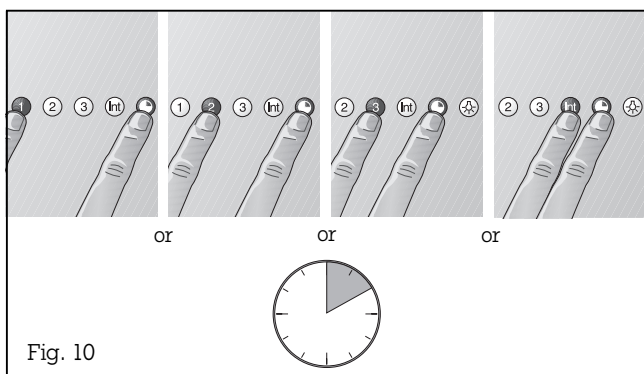
If you would like to end the intensive level before the five minutes have elapsed, press the **0** key ("Motor off") or select a different level (see Fig. 8). It is possible to switch off the extraction function at any time by pressing the **0** key (motor "off").




## Special functions:

### Intensive time:

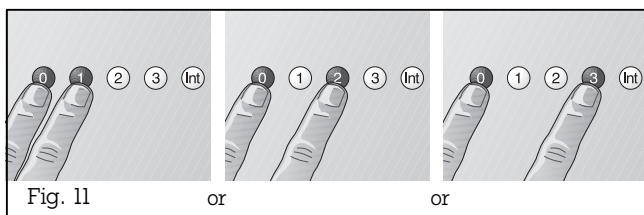
You can set the intensive level running time to 3, 5 or 10 minutes by simultaneously pressing the **Int** key and the **1**, **2** or **3** key and you can store this setting (see Fig. 9). When delivered, the appliance is set to five minutes, i.e. the combination of the **Int** key and the key **2**.



### Delayed shut-off:


Delayed shut-off is possible at any level. First press the required key **1**, **2**, **3** or **Int** and then press the  key (see Fig. 10).

The delayed shut-off time for all levels is ten minutes. After these ten minutes, the ventilation switches off, but the lighting stays on.



### Interval ventilation:

Interval ventilation is a special feature of this appliance which periodically activates the fan for five minutes every hour. You can activate this function by simultaneously pressing the **0** key and, depending on the required extraction capacity, the **1**, **2** or **3** key (see Fig. 11).

This mode of operation is indicated by alternating illumination of the  key together with the corresponding fan level indicator.

You can switch off interval ventilation by pressing the **0** key (see Fig. 12).



## 4. Cleaning and care

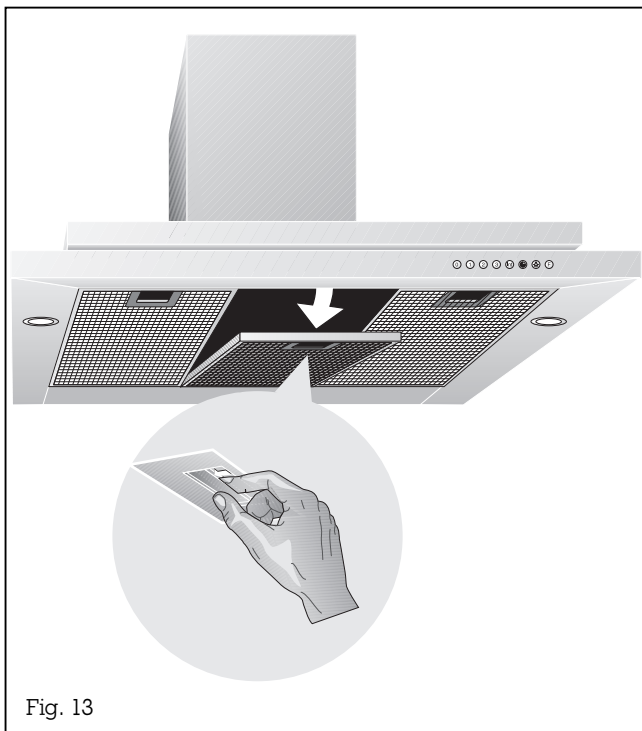


Fig. 13

### Cleaning the grease filters

The grease filter saturation display **F** flashes after an operating time of 30 hours to indicate to you that you should clean the grease filter (see Fig. 3). The grease filters can of course be cleaned at any time, even if the grease filter saturation display has not started to flash.

The stainless steel grease filters can be removed easily for cleaning (see Fig. 13):

Disconnect the power supply (switch off the fuse).

Grip the grease filter handle and push the slide towards the rear. Then pull the grease filter downwards out of the holder; repeat the operation for the other grease filters.

You can clean the stainless steel grease filters in a dishwasher at a maximum temperature of 65°C, where it should be supported vertically to allow food or rinsing residues to drain off.

If possible, the inner parts of the housing should be wiped out in hot rinsing water when replacing the filters.

### Caution:

when cleaning the inside of the housing, beware of protruding parts.

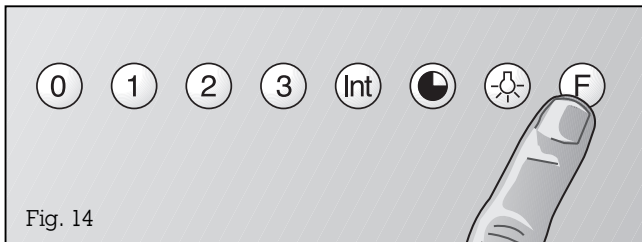


Fig. 14

After having cleaned them, re-insert the grease filters in the wall extractor in reverse order.

### Important:

the handles of both grease filters must be visible after assembly.

Press the **F** key to set the elapsed hours counter to zero. Flashing of the indicating lamp goes off.

---

### **Cleaning the extractor hood**

Clean the exterior of your extractor hood with a soft cloth and mild detergent solution.

Do not use any strong, caustic or abrasive cleaning agents. Do not use any abrasive sponges or brushes either.

Clean the stainless-steel extractor hood (AW 200/AW 202/AW 210) with stainless steel cleaner.

Do not place any objects with sharp-edged or rough bottoms (e.g. ceramic cups) on the hood.

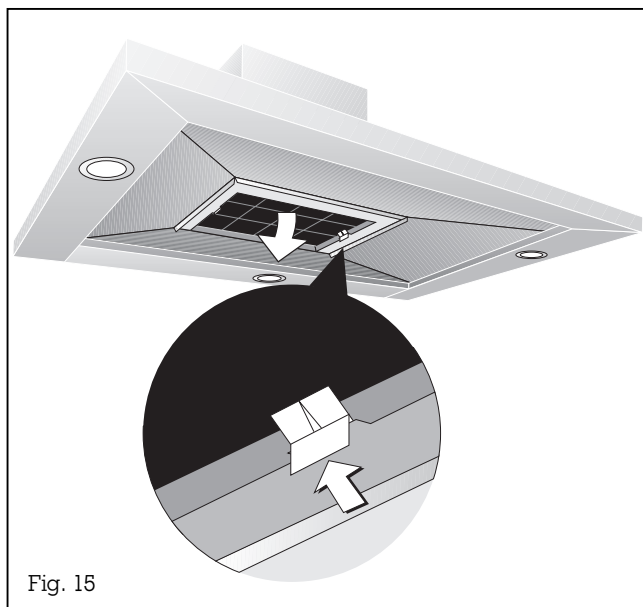


Fig. 15

### **Circulating air mode**

The activated charcoal filter eliminates kitchen smells in the circulating air mode. In normal use (1 to 2 hours daily), the activated charcoal filter must be replaced approximately once a year.

If no activated charcoal filter is installed, kitchen smells will not be eliminated.

### **Replacing the activated charcoal filter:**

remove the stainless steel grease filters. Push in the clips on the side of the activated charcoal filter and remove the activated charcoal filter downwardly.

Activated charcoal filters (KF 001-010) are available through your specialist dealer. Only use original filters.

Activated charcoal filters do not contain any dangerous substances. They can be disposed of through the household refuse collection.

## 5. Maintenance

### **Disconnect the appliance from the mains before carrying out any repairs.**

In the event of malfunctions, first of all check the household fuses.

If the power supply is in proper working order, but the appliance is nevertheless not functioning, then please contact your specialist dealer or Gaggenau after-sales service. Specify the appliance type (see rating plate).

Repairs must only be carried out by authorised specialists, thus ensuring the safety of the appliance. Improper tampering will render all warranty claims null and void.

### **Lamp replacement**

**Caution:** disconnect the power supply before replacing lamps (switch off the fuse)!

**Caution:** lamps may still be hot shortly after use!  
Risk of burns.

- Detach the ring from the lamp cover. **Note:** make sure that the glass will not fall out (Fig. 16).
- Pull out the lamp (Fig. 17).

Defective lamps must only be replaced by lamps of the same type! (12 V/20 W/G4 lampholder)

### **Inserting the lamp**

- Insert the lamp in the lampholder.  
**Note:** do not touch the halogen lamps with your hands. Use a cloth and touch the lamp only on its edges.
- Engage the lamp cover.
- Connect the appliance to the mains again.

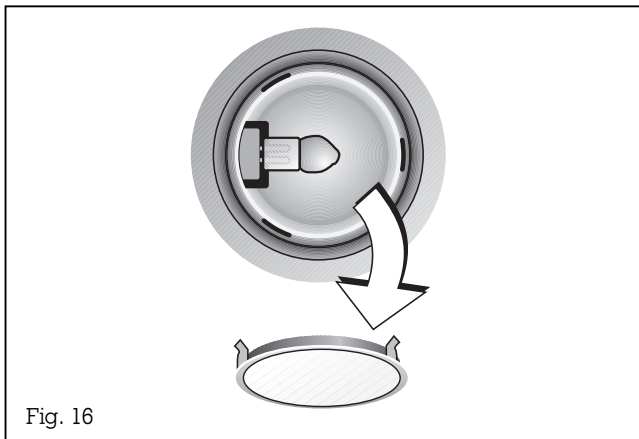


Fig. 16

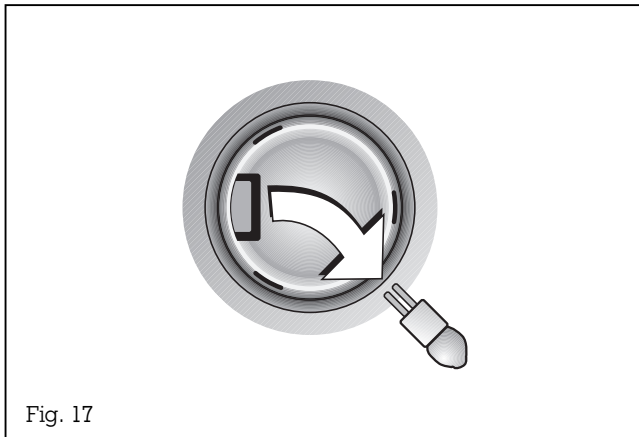


Fig. 17

## 6. Assembly instructions

### 6.1 Technical data

AW 200: max. weight depending on version 33.0 kg  
dimensions AW 200-172: 698 x 560 mm  
dimensions AW 200-192: 898 x 560 mm  
dimensions AW 200-120: 1198 x 560 mm

AW 201: max. weight depending on version 33.0 kg  
dimensions AW 201-190: 898 x 560 mm  
dimensions AW 201-120: 1198 x 560 mm

AW 202: max. weight depending on version 24.0 kg  
dimensions AW 202-192: 898 x 560 mm

AW 210: max. weight depending on version 28.0 kg  
dimensions AW 210-170: 698 x 480 mm  
dimensions AW 210-190: 898 x 480 mm

AW 211: max. weight depending on version 28.0 kg  
dimensions AW 211-170: 698 x 480 mm  
dimensions AW 211-190: 898 x 480 mm

### Electrical connection

Pay attention to the rating plate data.

The mains connecting cable must at least correspond to the type H 05 VV-F G 0,75.

The appliance must only be connected by an **authorised specialist**. The specialist is responsible for perfect functioning of the appliance at its installation location. He must explain the operating principle of the appliance to the user with reference to the operating instructions. He must explain to the user how the appliance can be isolated from the mains whenever required.

### Connection possibilities

The plug of the connecting cable is inserted into the socket that is located behind the duct cover on the wall. If this is not possible, the disconnection of all the poles of the appliance from the mains must be achieved by way of the domestic fuse, or by using an accessible disconnecting device with a contact gap of at least 3.0 mm.

### 6.2 Installation

The applicable regulations of the energy supply companies and the **regional construction regulations** must be observed when installing the hood.

The **minimum distance** from the cooking surface to the bottom edge of the wall hood is 600 mm for electrical appliances. The **minimum distance** from the bottom edge of the pot stand to the bottom edge of the wall hood is 650 mm for gas appliances.

The hood can be used in the exhaust or circulating air mode. The exhaust air can be routed into a separate exhaust air shaft or directly into the open through the outside wall.

It is not allowed to pass the exhaust air into a flue or exhaust air chimney that is in operation or into a shaft that is linked to the heating basement. Consult the chimney sweep responsible for your district whenever you wish to pass the exhaust air into a chimney that is not in operation.

**During the course of planning**, a chimney sweep must be consulted if a room air-dependent hearth is operated in the same room as the one in which a hood is operated in the exhaust air mode. Adequate incoming air must be ensured. The applicable construction and safety regulations must be observed.

Adequate incoming air must be ensured if a wood, coal, gas or oil heater or an open hearth is operated in the same room as the one in which the hood is installed.

Safe operation is possible whenever the partial vacuum in the place where the firing equipment is installed does not exceed 4 Pa (0.04 mbar). This can be achieved whenever the air needed for combustion is able to enter through openings that cannot be sealed, for example in doors, windows, incoming/exhaust air wall boxes or other technical means.

Flexible aluminium pipes, corrosion-protected sheet metal pipes and **exhaust air** pipes whose material conforms to fire B1 in accordance with DIN 4102 can be used. Exhaust air pipes should have a nominal diameter of 150 mm.

**Pay particular attention to ensuring** that

- the exhaust air ducts and pipes are kept as short as possible
- the pipes are not laid at an acute angle, but as bends and that they are inserted into the shaft at an inclined upward angle and
- there are no cross-sectional constrictions in the upward direction (this reduces the volume flow).

As **standard**, the blow-out opening of the wall hood is in the upward direction.

To pass exhaust air through the outer wall, we recommend the use of our telescopic wall box TM 150-045 (Ø 150).

**Note:**

To prevent the ingress of water, e.g. condensate or rain water from an uncovered exhaust air shaft, our condensate separator RV 060-150 must be installed in the exhaust air line. The condensate separator must still be accessible after installation.

The duct units listed below are available depending on the height of the ceiling:

Installation accessories for exhaust air mode

Stainless steel-design ventilation duct:

**AD 010-012** for ceiling heights of 2.25 - 2.64 m  
**AD 010-022** for ceiling heights of 2.64 - 3.03 m

Aluminium-design ventilation duct:

**AD 011-012** for ceiling heights of 2.25 - 2.64 m  
**AD 011-022** for ceiling heights of 2.64 - 3.03 m

Installation accessories for circulating air mode

Stainless steel-design ventilation duct:

**AD 010-112** for ceiling heights of 2.36 - 2.64 m  
**AD 010-122** for ceiling heights of 2.64 - 3.03 m

Aluminium-design ventilation duct:

**AD 011-112** for ceiling heights of 2.36 - 2.64 m  
**AD 011-122** for ceiling heights of 2.64 - 3.03 m

The dimensions above refer to a distance of 1.60 m from the floor to the bottom edge of the hood.

If required, custom made duct units are available at an extra charge.

The socket must be placed behind the duct cover on the wall.

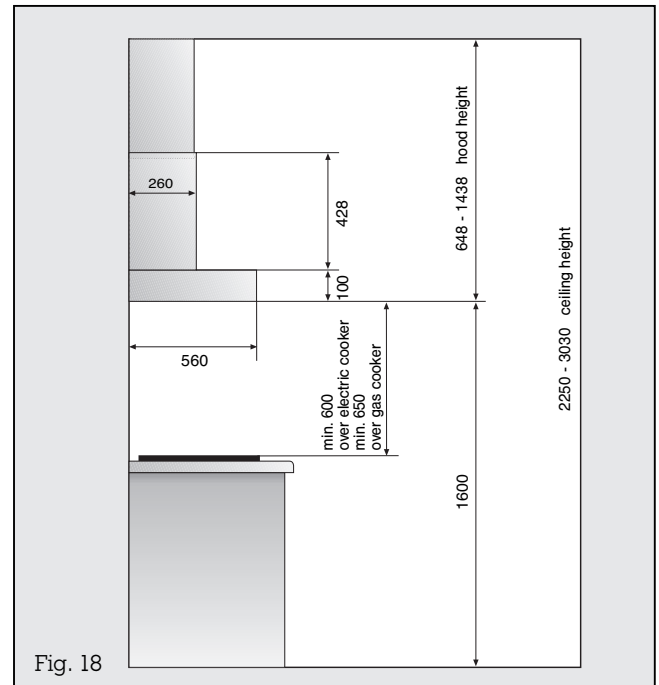


Fig. 18

---

## To use above gas cooker / gas hob

**Important:** do not use all burners on the highest setting simultaneously over a longer period of time (max. 15 minutes). This will pose a risk of burns when touching the hot appliance exterior or parts of the extractor hood may become damaged.

Switch the extractor hood to the highest setting when three or more burners of a gas cooker are used simultaneously.

## **The following note applies to extractor hood AW 202 only; this model does not have an integrated fan:**

The extractor hood can only be used in exhaust air mode. The exhaust air is conveyed upwards through an externally attached fan via a ventilation shaft or directly into the open air through the outer wall.

The extraction function is realised by an external fan module. We recommend the fan modules GB 032-107 or GB 052/053-140 from our Gaggenau range; the extractor's electronic circuitry is optimised for these fan modules.

For the electrical connection between the extractor hood and external fan see installation instructions for the external fan.

For safety reasons, if the connecting cable to the external fan has been damaged, it must be replaced by the manufacturer or the after sales service or similarly qualified persons.



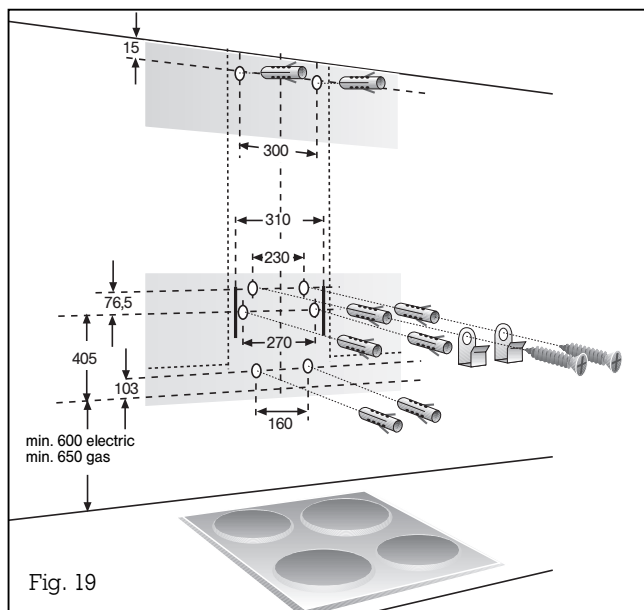


Fig. 19

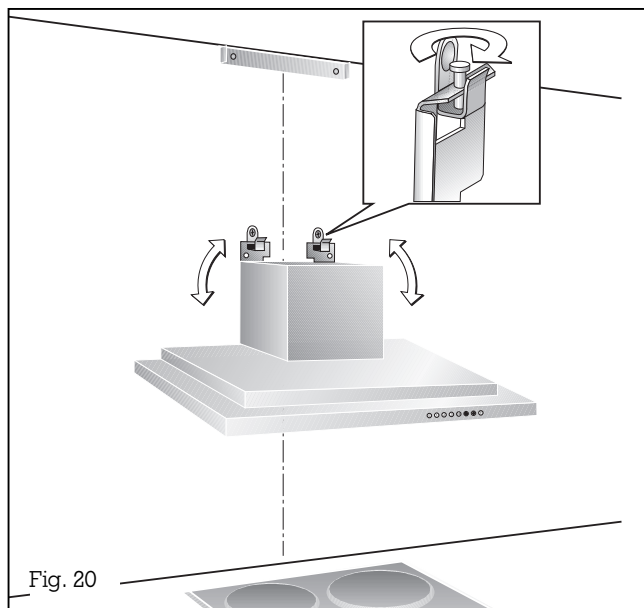


Fig. 20

**Important:** before marking the securing holes, make sure that no electricity or water lines or other lines are laid at the drilling points in the wall.

**Proceed as follows:**

- From the bottom edge of the hood, mark a center line on the wall.
- With the aid of the drilling template, mark the positions of the screws on the wall (Fig. 19).
- Pay attention to the minimum clearance of 600 mm for electric cookers and 650 mm for gas cookers. The bottom edge of the template corresponds to the bottom from edge of the hood.
- Using the drilling template, drill the 6 holes for the hood (area I of the drilling template) and the two holes for suspending the chimney (area II of the drilling template). In the top two securing holes for the hood, fix the two hooks **d** with the countersunk screws **c**. Make sure that the hooks lie flatly on the wall. In certain circumstances you may have to countersink the drill holes. Fit the included dowels **a** in the other drill holes.

**Note:** pay attention to any special accessories that you may have to fit.

- Screw on the retaining bracket for the chimney paneling.
- Detach the grease filters.
- Hang the hood on the two hooks. Adjust the suspended element with the recessed head screw and align the hood using a spirit level (Fig. 20).

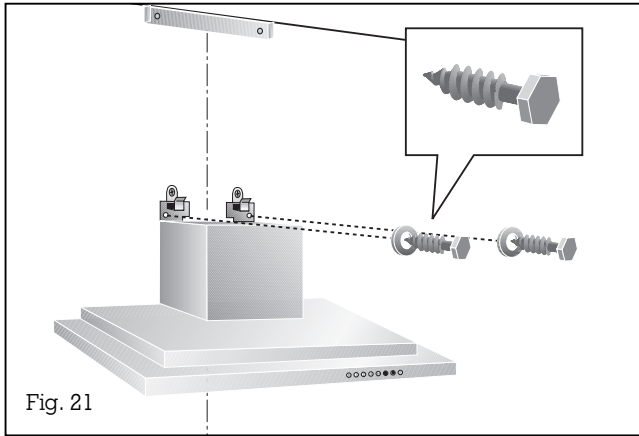


Fig. 21

- Secure the hood on the wall with the four screws **b** (Fig. 21 and 22).

For **exhaust air mode** proceed as follows:

- Establish the pipe connection.
- Establish the electrical connection.
- Stainless steel chimney only (AD 010-012/022): pull the protective film off the chimney's trims.

**Note:** avoid damaging the sensitive metal surfaces.

- Fit the top chimney duct unit into the base. Make sure that the fastening holes on the side are at the top.

- Put both chimney duct units onto the hood.

- Pull the top chimney duct unit up into its final position and secure it with 2 screws on the ceiling holder (Fig. 23).

**Note:** avoid scratches when pulling the elements apart by placing the assembly template, for example, over the edge of the bottom chimney paneling to protect it.

- Insert the grease filters.

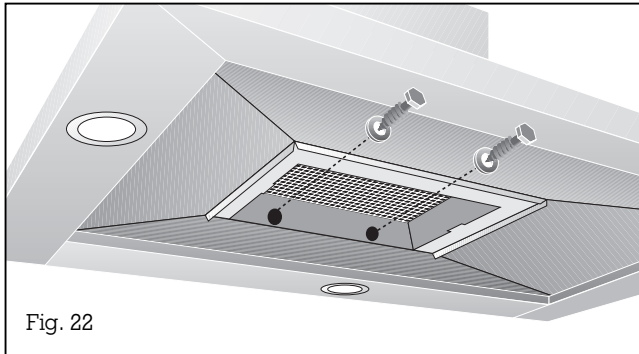


Fig. 22

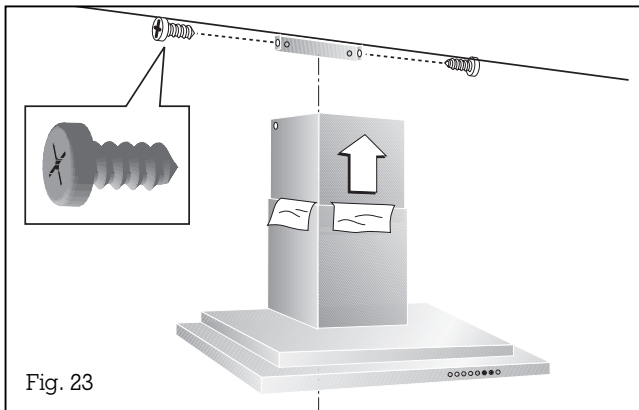
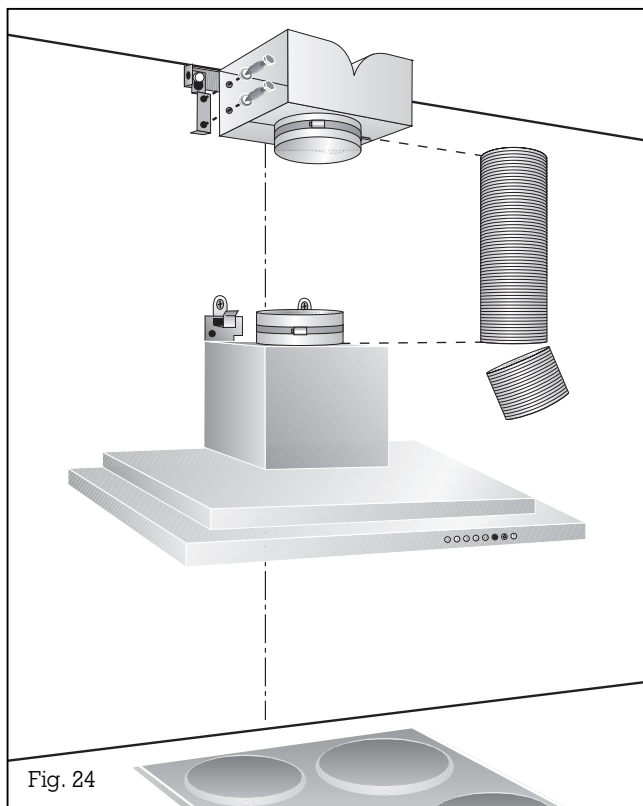


Fig. 23



For **circulating air mode** use the installation set included with the ventilation ducts AD 010-112/122 und AD 011-112/122. You also need an activated charcoal filter (KF 001-010). Proceed as follows:

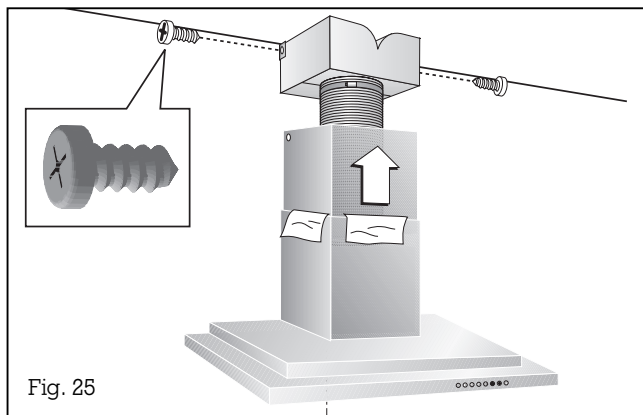
- Slightly loosen the screws of the retaining bracket for the chimney paneling. Hang the angle pieces onto the screws and tighten the screws.
- Screw the circulating air switch module to the angle pieces (4 screws).
- Shorten the flexible air pipe accordingly. Fix the flexible air pipe with hose clamps (Fig. 24).
- Establish the electrical connection.
- Stainless steel chimney only (AD 010-112/122): pull the protective film off the chimney's trims.

**Note:** avoid damaging the sensitive metal surfaces.

- Fit the top chimney duct unit into the base. Make sure that the fastening holes on the side are at the top.
- Put both chimney duct units onto the hood.
- Pull the top chimney duct unit up into its final position and secure it with 2 screws on the ceiling holder (Fig. 25).

**Note:** avoid scratches when pulling the elements apart by placing the assembly template, for example, over the edge of the bottom chimney paneling to protect it.

- Insert the activated charcoal filters.
- Insert the grease filters.



**Gaggenau Hausgeräte GmbH**

Carl-Wery-Straße 34

D-81739 München

[www.gaggenau.com](http://www.gaggenau.com)

9000209513 EB 8609 en

**GAGGENAU**