

Gaggenau

en Installation instructions
for free-standing appliances

RA 423 910

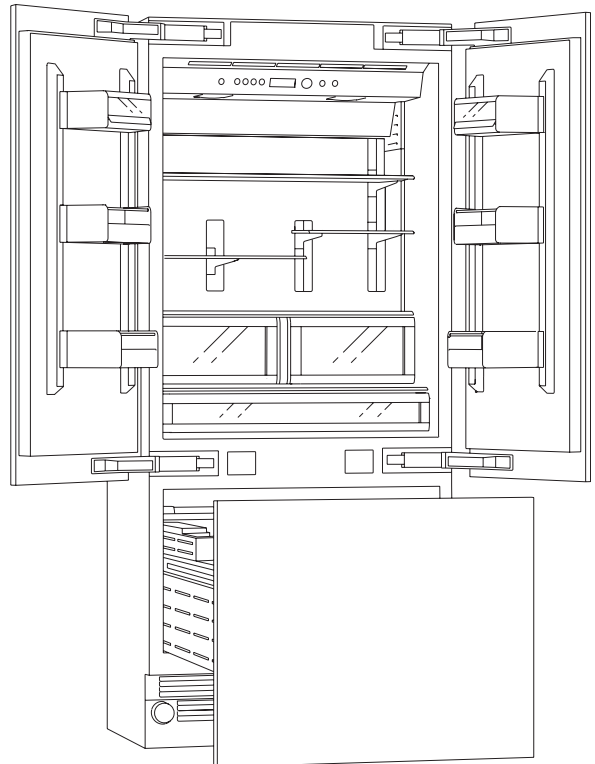
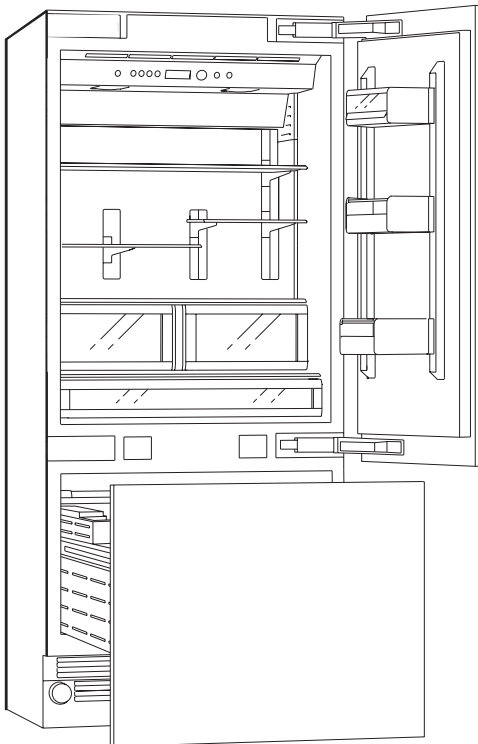


Table of Contents

Safety and warning information 4

Installing and connecting the appliance 5

Installation location 5

Ambient temperature 5

Subsurface 5

Electrical connection 5

Water connection 5

Installation dimensions 6

Installation position 6

Location of the water connection 6

Appliance dimensions 7

2-door model (RB 491) 7

3-door model (RY 491) 8

Tools and accessories which are needed 9

Scope of delivery 9

Additional accessories 9

Tools 9

Miscellaneous 9

Installation instructions 10

- A**
1. Checking the installation niche 10
 2. Transporting the appliance 10
 3. Removing the packaging 11
 4. Installation preparation 11
 5. Swapping the door hinges 11
 6. Preparing the appliance for attaching the panelling 13
 7. Preparing the side panels 14
 8. Attaching the side panels 14
 9. Attaching the anti-tipping brackets to the appliance 15
 10. Checking that the finger guard moves easily 15
 11. Preparing the water connection 15
 12. Moving the appliance to the installation position 15

- B**
13. Adjusting the appliance 16

14. Attaching the anti-tipping brackets to the wall 16

15. Attaching the top cover 17

16. Attaching the covering ribs (freezer compartment) 17

17. Connecting the appliance to the water supply 18

18. Switching the appliance on 18

- C**
19. Attaching the base strip 19

20. Preparing the furniture doors 19

21. Attaching the handles 20

22. Attaching the adjusting rib to the furniture door (refrigerator compartment) 20

23. Hanging and aligning the furniture door (refrigerator compartment) 21

24. Attaching the adjusting rib to the furniture door (freezer compartment) .. 22

25. Hanging and aligning the furniture door (freezer compartment) 22

26. Fitting the furniture doors (refrigerator compartment) 23

27. Fitting the furniture door (freezer compartment) 24

28. Adjusting and fixing the doors (refrigerator compartment) 25

29. Adjusting and fixing the drawer (freezer compartment) 25

30. Screwing on the lower fixing brackets 25

- D**
31. Fastening the finger protector 26

32. Attaching the covers 26

33. Fitting the air separator 27

34. Setting the door opening angle (refrigerator compartment door) 27

35. Tensioning the hinge screws (refrigerator door) 27

Safety and warning information

These installation instructions are intended to help you install your new appliance.

The manufacturer cannot be held liable for installation which has been improperly carried out. We recommend that you allow a qualified specialist to set up and switch the appliance on for the first time.

It is essential to follow all the recommendations and keep to these instructions in order to ensure that the appliance is installed and put into operation safely.

Keep the installation instructions safe for use later on.

Before setting up and switching the appliance on for the first time, read the installation instructions fully and thoroughly.

Warning

The appliance is very heavy and must be secured from tipping over during transportation, installation and operation. It is essential to fit an anti-tip device.

Keep the doors closed until the appliance has been fully installed and secured according to these instructions.

Because of the weight/dimensions of the appliance and to minimise the risk of injuries and damage to the appliance at least two people are required to set-up the appliance securely.

Use the appliances according to the prescribed only for the intended purpose.

Pull out the plug or remove the fuse before commencing work on the appliance.

Only customer service may change the power cable and carry out any other repairs. Improper installations and repairs may put the user at considerable risk.

Only allow customer service to carry out repairs to the appliance.

Apart from statutory national regulations, you should adhere to the connection terms applied by local electricity and water companies.

Caution

Setting up and installing this appliance requires extensive expertise in various fields (mechanics, carpentry, plumbing, electrics).

It is the duty of the person setting the appliance up to guarantee that it is set up and commissioned safely.

Mistakes in setting the appliance up and damage resulting from this do not come under the manufacturer's warranty. Terms of guarantee can be found in the operating instructions for the appliances.

Note

These installation instructions describe the installation of a free-standing appliance using the panelling parts (side panels, furniture doors) provided by the manufacturer.

Installing and connecting the appliance

Installation location

⚠ Warning

**The appliance is very heavy.
Empty weight: 195 kg**

The appliance should be installed in a dry, well ventilated room. The location should not be exposed to direct sunlight and should not be next to a heat source such as a cooker or a radiator, etc. If installation next to a heat source cannot be avoided, either a suitable insulating panel should be used or you should keep to the following minimum distances:

- 30 mm to an electric cooker,
- 300 mm to an oil-fired or solid-fuel cooker.

Atmosphere grades

The climate class can be found on the rating plate. It states the room temperature within which the appliance can be operated.

Climate class	Permitted ambient temperature
SN	+10 °C to 32 °C
N	+16 °C to 32 °C
ST	+16 °C to 38 °C
T	+16 °C to 43 °C

Subsurface

⚠ Caution

**A fully laden appliance is heavy.
Weight: up to 540 kg**

The subsurface must be level and even in order to ensure that the appliance is securely installed and works correctly.

The subsurface must be made from a hard, non-flexible material.

The floor of the installation space must be the same height as the rest of the space.

On account of the weight of a fully-laden appliance, it is necessary to have a bearing subsurface. In the case of doubt, the help of architect or specialist builder should be enlisted.

Electrical connection

Do not use extension cables or distributors. This appliance must be connected to a permanent socket.

The socket for connecting the appliance must be freely accessible. Connect the appliance only to 220–240 V/ 50 Hz AC current via a socket which has been properly installed. The socket must be fused with a 10 to 16 A fuse.

For appliances operated in non-European countries, the identification plate should be checked to see whether the electric voltage and type of current match those of the mains supply. For details regarding the position of the identification plate, see section “Calling Customer Service/ Identification Plate”. The power cable must only be replaced by a technician.

⚠ Warning

On no account should the appliance be connected to electronic energy saver plugs or to converters which convert DC current to 230 V AC (e. g. solar appliances, marine on-board power supplies).

Water connection

⚠ Caution

Only connect the appliance to a drinking water supply!

A cold water connection is necessary for operating the automatic ice maker. The water pressure must be between 0.17 MPa and 10 MPa (1.7 and 10 bar). The installation must correspond to the local plumbing regulations.

A separate shut-off valve should be installed in the cold-water inflow. The shut-off valve should not be located behind the appliance. It is recommended that you fit the shut-off valve directly next to the appliance or at another place which is easily accessible.

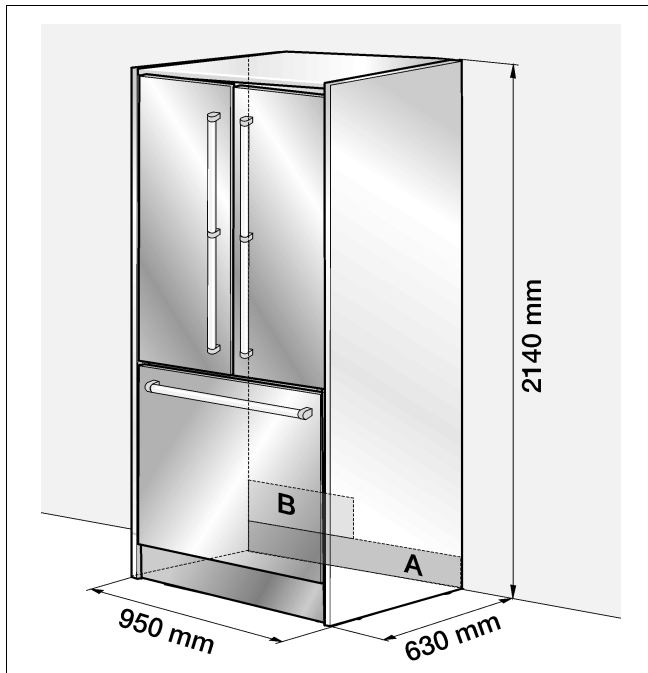
When installing the water connection, pay attention to the permissible installation area for the water pipe. For more information concerning the permissible installation area, see the section “Installation dimensions”.

Note, if the water pipe for the cold water connection is not included in the product package:

- For connection to the drinking water mains use only water pipes which are suitable for drinking water. Observe national regulations and the connection conditions of the local water supply companies.
- The maximum outside diameter of the water pipe (without connecting pieces) is 10 mm.

Installation dimensions

Installation position



Key:

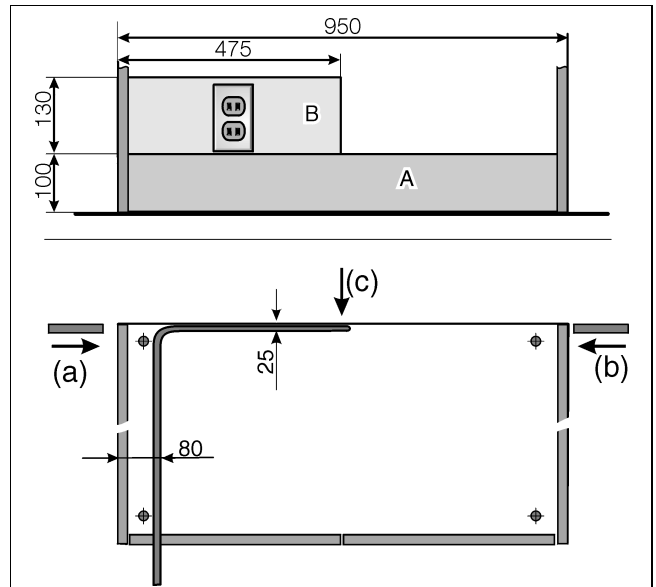
- A Area for installation of the water connection

The shut-off valve for the appliance's water connection is to be located in the immediate vicinity of the installation niche so that it is accessible without disassembling the appliance. If this is absolutely unavoidable, the shut-off valve only should be installed in the installation areas labelled with A and B behind the appliance.

- B Area for installation of the electric current

Location of the water connection

The mains supply can be laid to the appliance from the right-hand side (a), from the left-hand side (b) or from the space below the appliance (c).



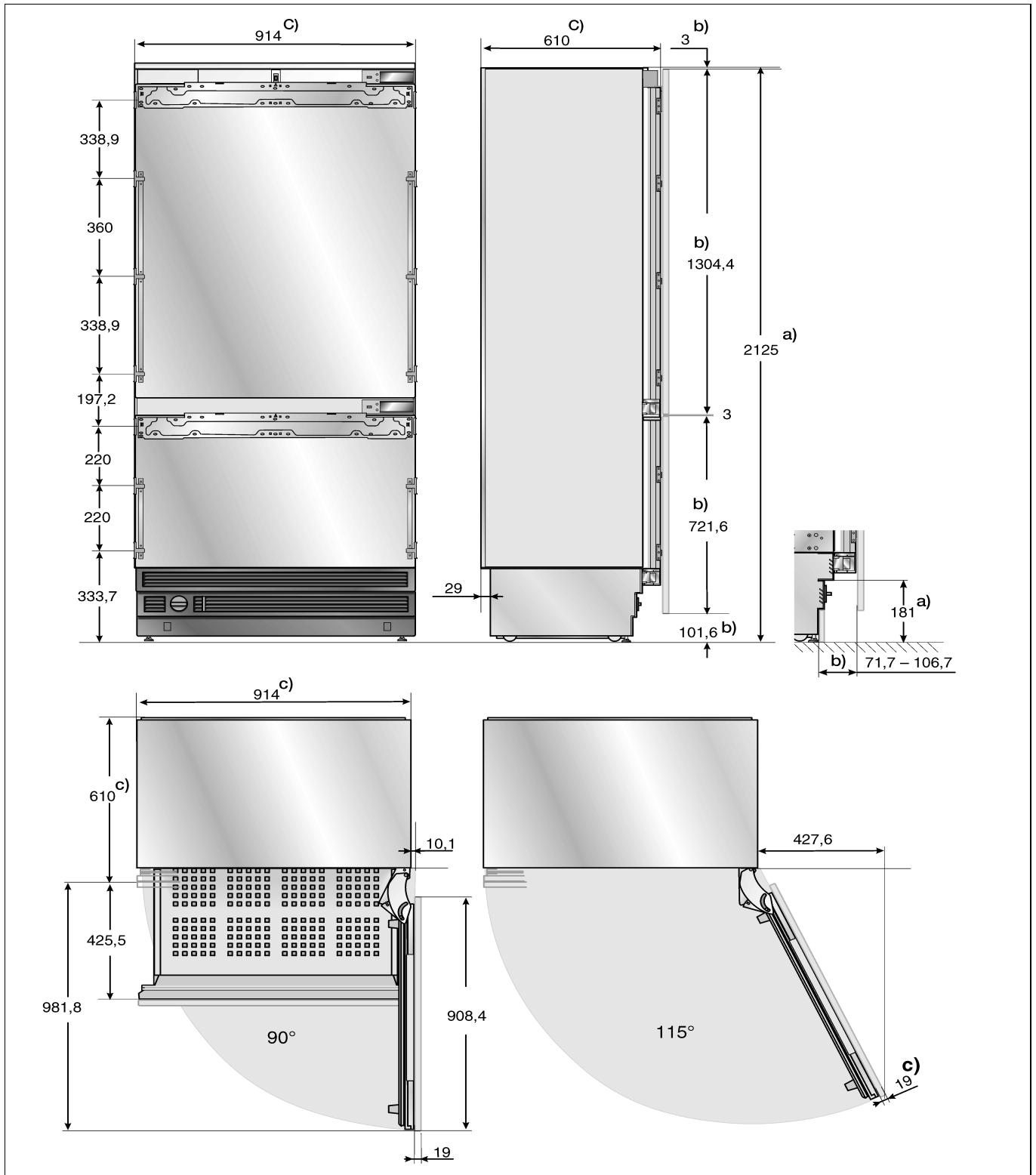
Key:

- A Area for installation of the water connection

- B Area for installation of the electric current

Appliance dimensions

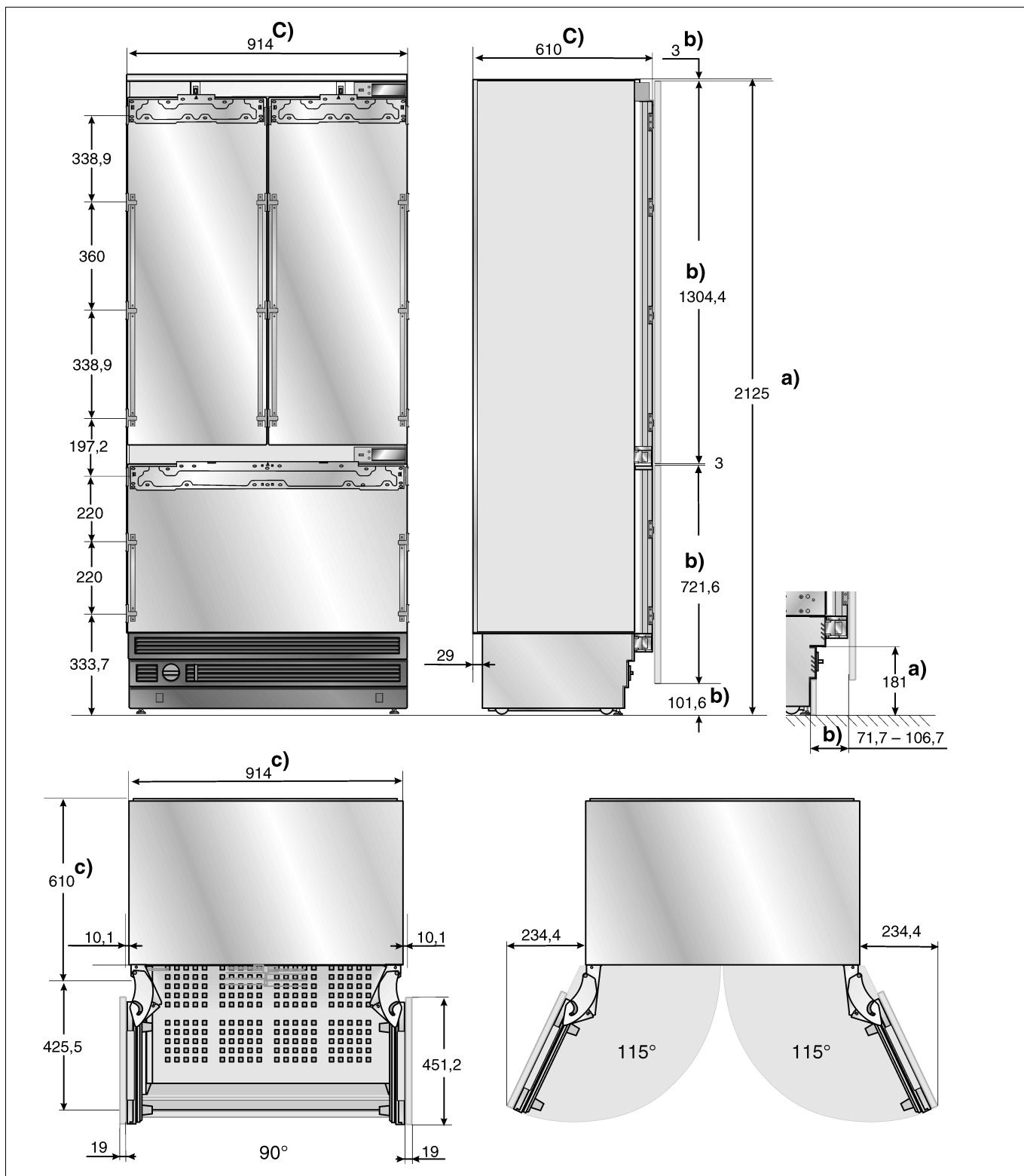
2 door model (RB 491)



Key:

- a) The adjustment range of the appliance feet is +35 mm/-13 mm.
- b) Dimensions can vary.
- c) Dimensions of the appliance.

3 door model (RY 491)



Key:

- a) The adjustment range of the appliance feet is +35 mm/-13 mm.
- b) Dimensions can vary.
- c) Dimensions of the appliance.

Tools and accessories which are needed

Scope of delivery

- Parts/installation accessories for free-standing installation of RA 423 910
- Installation manual for free-standing appliances
- Operating instructions
- Installation accessories

Additional accessories

Stainless steel door panels with handles

- RA 421 910 for 2 door model
- RA 421 912 for 3 door model

Ventilation grill, stainless steel RA 461 910

Tools

- T20 rechargeable screwdriver
- T20 Torx screwdriver
- T20 Torx-bit magnetic holder
- 8 mm socket wrench
- Various size drills
- Fixed spanner SW 13 mm
- Adjustable spanner
- Knife with an adjustable blade
- Metal tape measure
- Try square
- Spirit level

Miscellaneous

- Step ladder
- Roll trolley, fork-lift trolley or sack trolley
- Hammer drill for drilling holes into the wall and floor
- Various size drills for various materials
- Thin (1.5 mm), material suitable for protecting the floor against damage (e. g. linoleum)
- Suitable material for covering and protecting the cabinets (e. g. protective film)

Installation Instructions

The following installation instructions describe the stages for installing various different models of appliance.

Therefore, there may be differences from that shown in the diagrams.

Special reference is made where there are specific installation stages for particular appliances.

1. Check the installation position

Before starting with the installation, check that the installation position meets all of the requirements for safe and trouble-free installation.

- Check the subsurface.
 - Follow the notes in the section “Installing and connecting the appliance”.
- Check the dimensions of the installation position.
- Check the positioning of the socket.
 - Also follow the instructions in the sections “Electrical connection” and “Installation dimensions”.
- Check the positioning of the water connection (for appliances with ice maker).
 - Also follow the instructions in the sections “Water connection” and “Installation dimensions”.
- Check that when opening the appliance door, it does not collide with adjacent items in the kitchen (for door opening angle).

2. Transporting the appliance

⚠ Warning

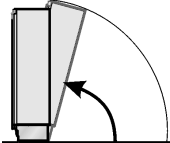
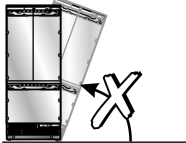
The appliance is very heavy. Handle it carefully, as otherwise people helping to lift it could be hurt or the appliance could be damaged.

Transport the appliance using a device that is suitable for the appliance and the local (sack trolley, fork-lift trolley or roll trolley).

When transporting, secure the appliance from being tipping over.

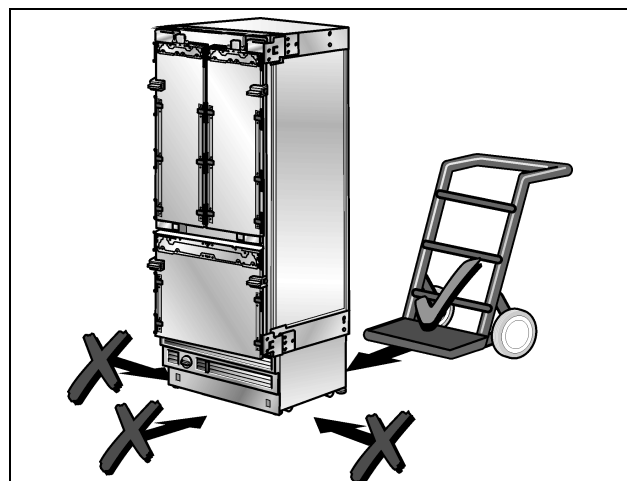
The appliance has a height of 2125 mm. If it is not possible to support the appliance in a vertical position because of the structure of the building, the appliance can be transported on its side.

When putting the appliance up, pay attention to the minimum height that is required at the assembly location according to the following table.

	Putting the appliance upright by tilting backwards	Putting the appliance upright by tilting sideways
		
All types	218.5 cm	Never put the appliance upright by tilting sideways!

⚠ Attention

Always place the means of transport centrally on the rear side of the appliance. Never push it in from the front or from the side under the appliance. Risk of damage to the appliance!



- Move the appliance using sack trolley, fork-lift trolley or roll trolley.

3. Removing the packaging

⚠ Warning

- The appliance could tip over when unpacking.
- The appliance is very heavy.
- The appliance could tip over when the appliance door is opened.

Handle it carefully, as otherwise people helping to lift it could be hurt or the appliance could be damaged.

To protect the subsurface from damage whilst installing:

- Put a carpet or spare piece of linoleum (or other such item) down and attach it to the floor using adhesive tape in front of the planned fitting site.
- Remove the transportation packaging:

Remove the cardboard. Be careful when using the knife so as not to damage the surface of the appliance.

Remove packaging material.

Attach the power cable to the back of the appliance with a piece of adhesive tape.

Remove transportation protection devices and lift appliance off the pallet – appliance is very heavy!

Remove accessories from the outside of the appliance.

Carefully open the appliance – risk of tipping over – and remove accessories and installation materials from inside the appliance. Close the door again.

⚠ Attention

Only remove the transporting securing devices which protect the slide-in bases and the storage compartments in the appliance after completing the installation as otherwise parts could be damaged.

- Check the appliance for damage.

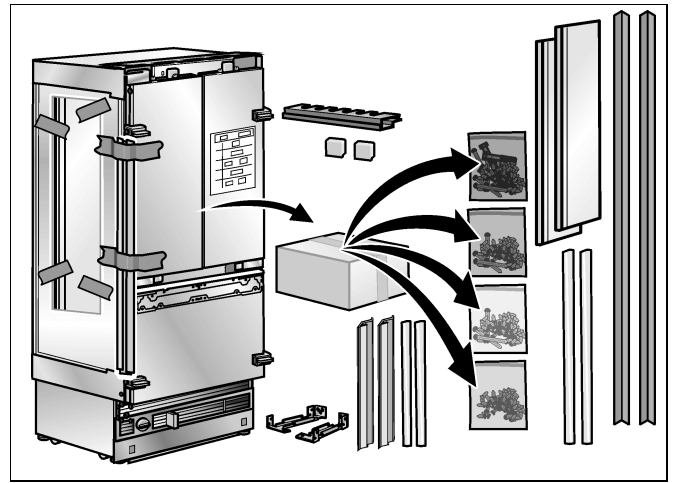
Do not install the appliance if there is visible damage. If there are queries, please contact the dealer.

4. Installation preparation

Unpack installation materials and accessories.

To show which accessories are required at which work stages, the packages are labelled differently.

See also the overview sheet attached to the appliance!



Unpack the parts and installation accessories for freestanding installation (side panels, doors).

Check for completeness using the overview sheet list of parts. Check the parts for damage. Do not install the parts if there is visible damage.

5. Swapping the door hinges

(for 2-door model only)

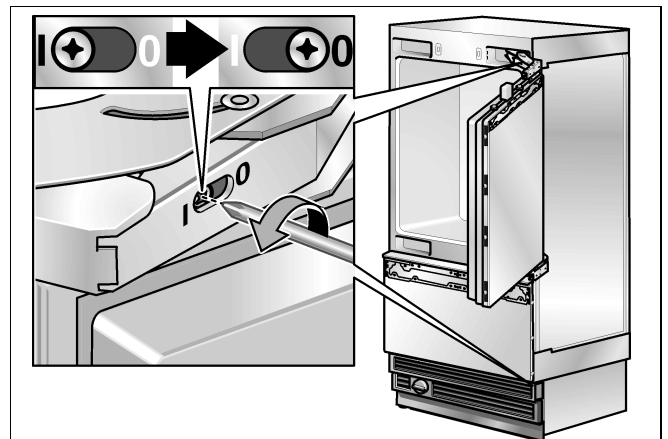
⚠ Warning

Before carrying out any work to the door hinges, release the spring pressure – risk of injury!

Depending on the requirements of the assembly location, the door hinges can be swapped to the other side.

If it is not necessary to swap the hinges, proceed.

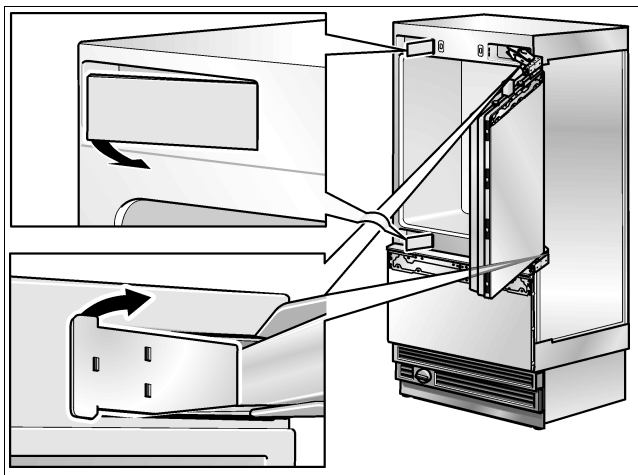
Release the spring pressure on the hinge.



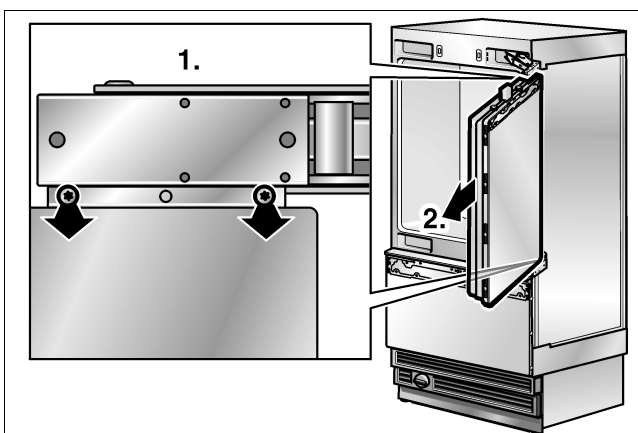
- Release the spring pressure on the hinge. In addition, set the screw from 1 to 0.

A

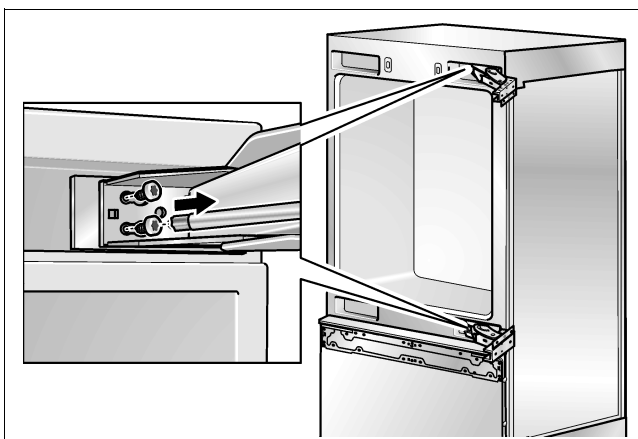
Swapping the door hinges



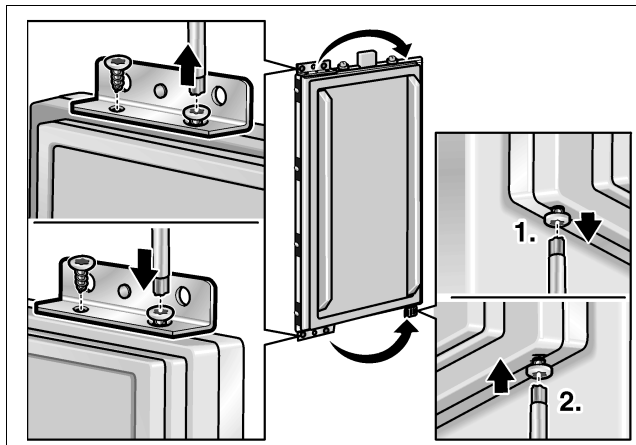
- Remove the hinge covering.



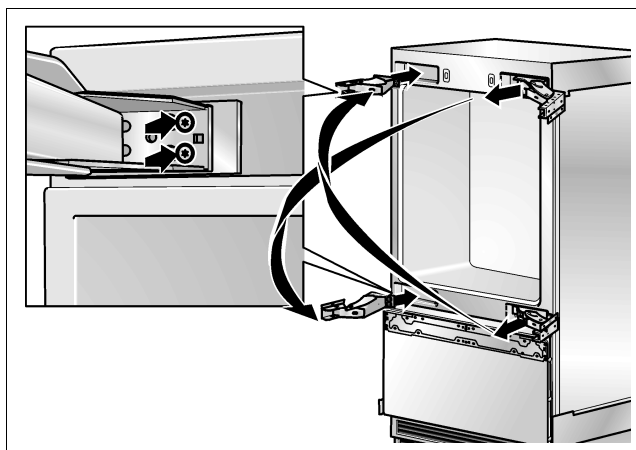
- Unscrew the door.



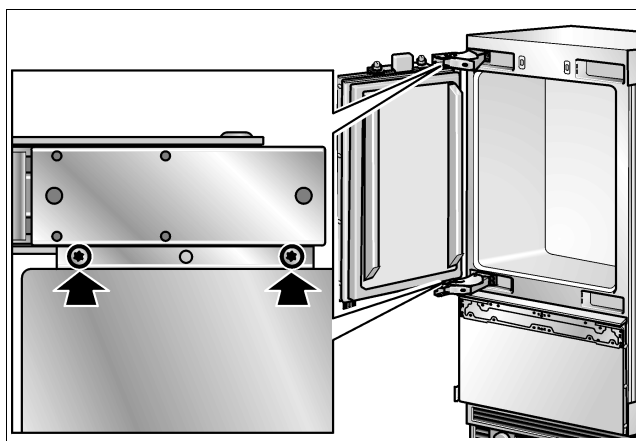
- Remove the hinges.



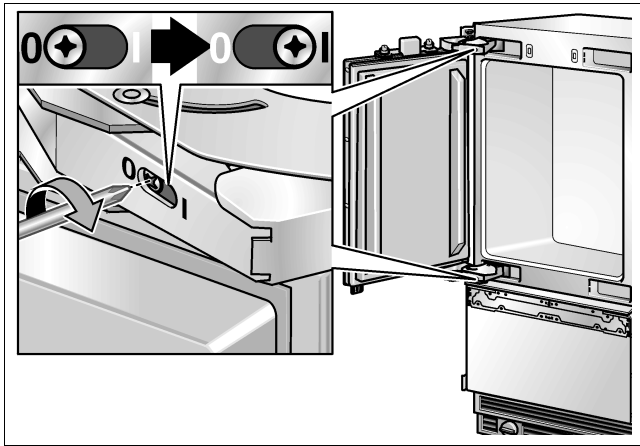
- Swap the fixing parts on the door to the other side.



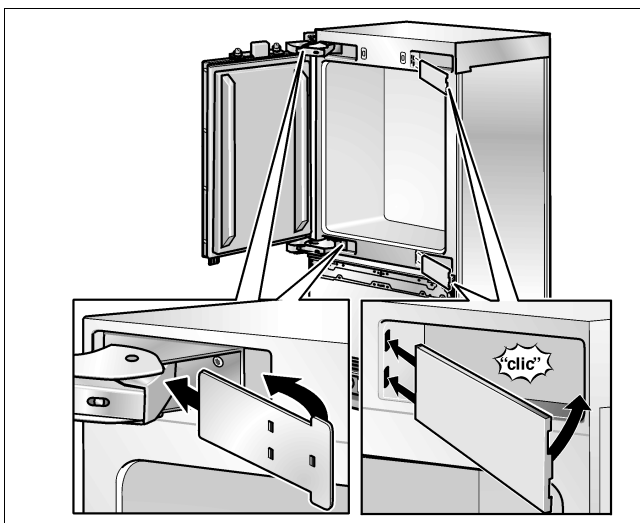
- Attach the hinges to the appliance. Exchange the hinges crosswise!



- Screw the door to the hinges.

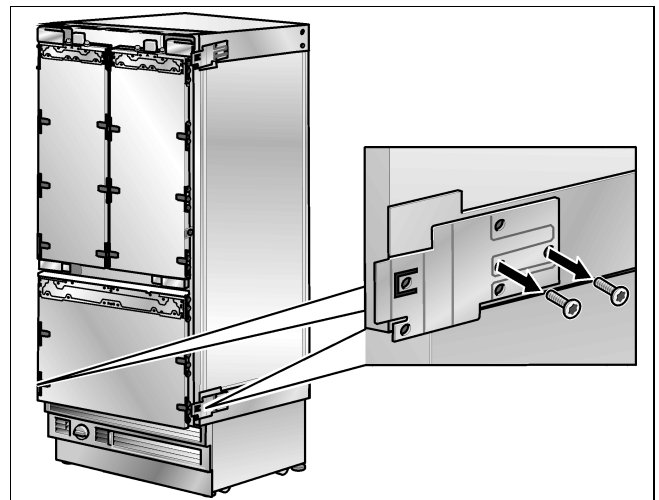


- Tighten the screw. In addition, set the screw from 0 to I.



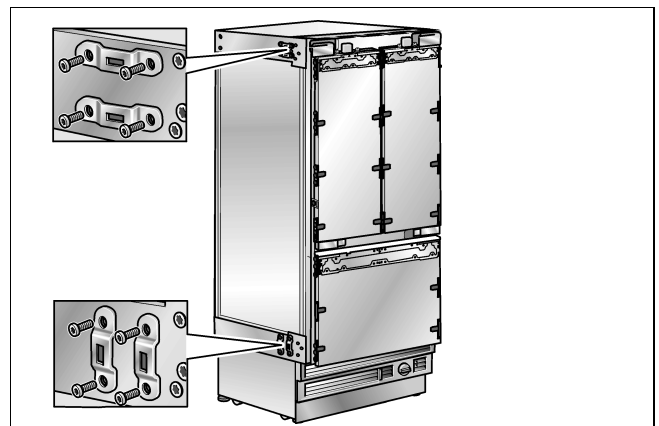
- Attach the hinge covers.

6. Preparing the appliance for attaching the panelling

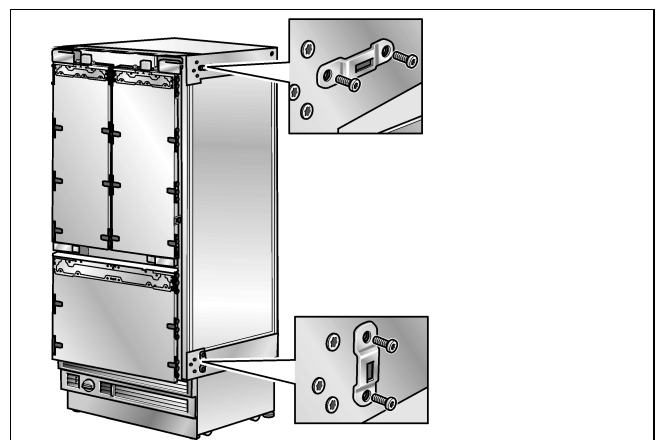


- Remove the attachment plates.
- Screw the connecting clips from the accessory kit for freestanding installation on to the appliance.

Left side of the appliance:



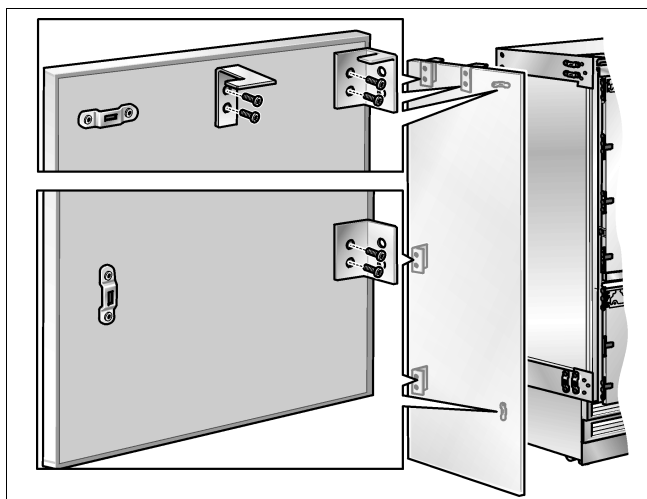
Right side of the appliance:



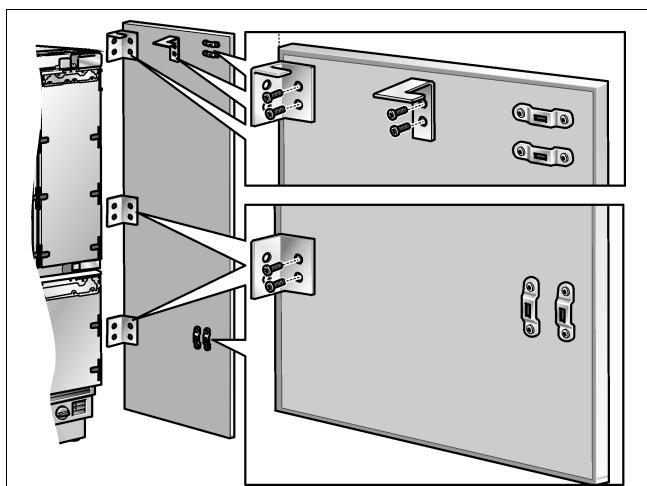


7. Prepare the side panels

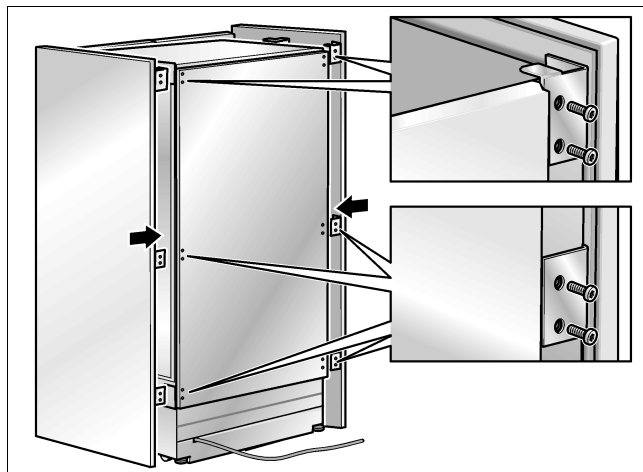
Left side panel:



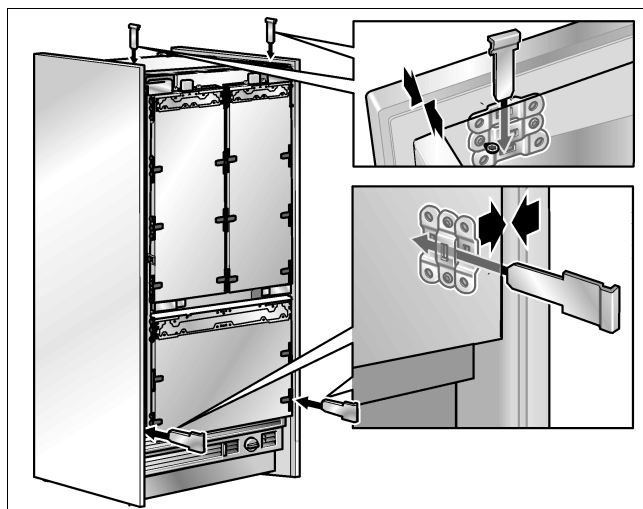
Right side panel:



8. Attaching the side panels

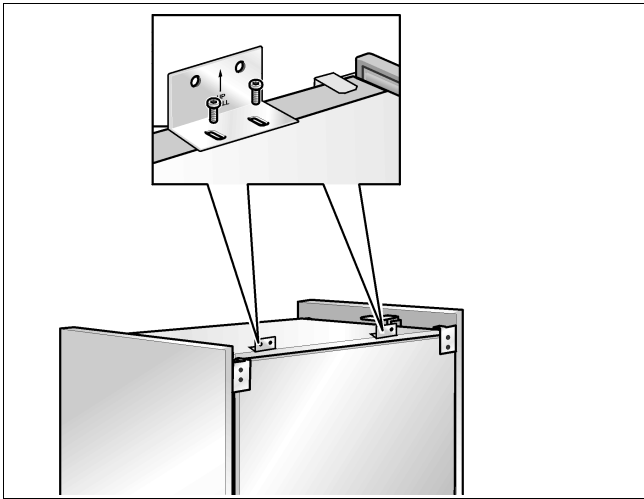


- Hold the side panels up to the appliance. Screw the connecting brackets to the back of the appliance.



- Press the front of the side panel against the appliance until the connecting clips interlock completely. Then slide the pins through the connecting clips.

9. Attaching the anti-tipping brackets to the appliance



10. Checking that the finger guard moves easily

It is now essential to check that the finger guard moves easily. At a later time any required corrections will be more difficult.

- Push the finger guard on the hinge side into the gap between the appliance and side panel.

It must be possible to push in and pull out the finger guard easily!

11. Preparing the water connection

(only for appliances which require a water connection)

Warning

Turn off the main water tap in order to avoid damage from escaping water.

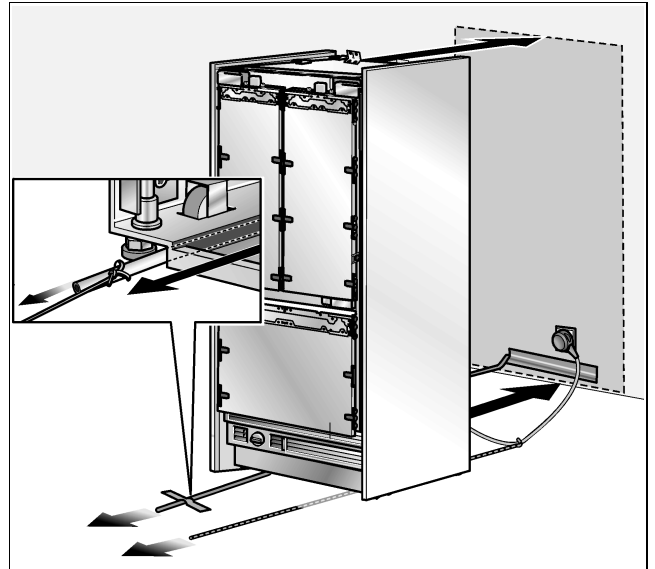
- Lay the connection pipe. Always keep to the given installation area in order to avoid damaging the connection pipe when sliding the appliance in later.
- Fix the connection pipe to the floor with adhesive tape.

12. Moving the appliance to the installation position

A

Warning

Be careful when sliding the appliance into the installation niche. Take care not to damage the water pipe or power cable that you have fixed to the floor.

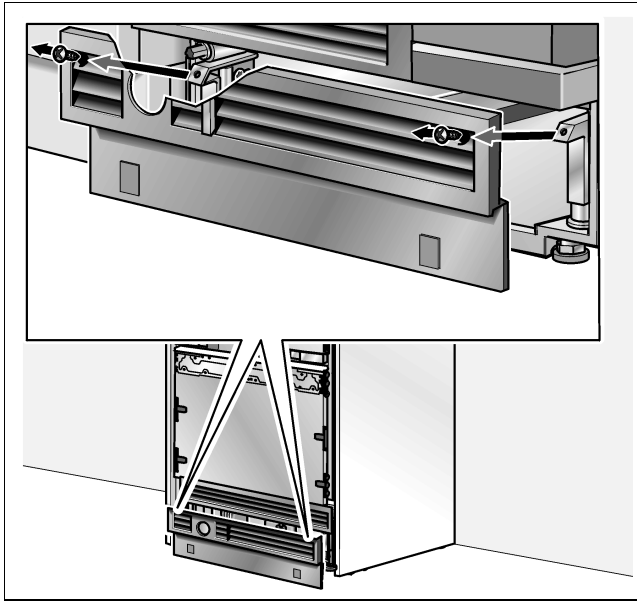


- Plug the mains plug into the socket.
- Protect the mains lead from getting wedged under or behind the appliance.

13. Aligning the appliance

Warning

Never use a power-driven screwdriver for setting the height of the appliance. Risk of damage to the appliance!



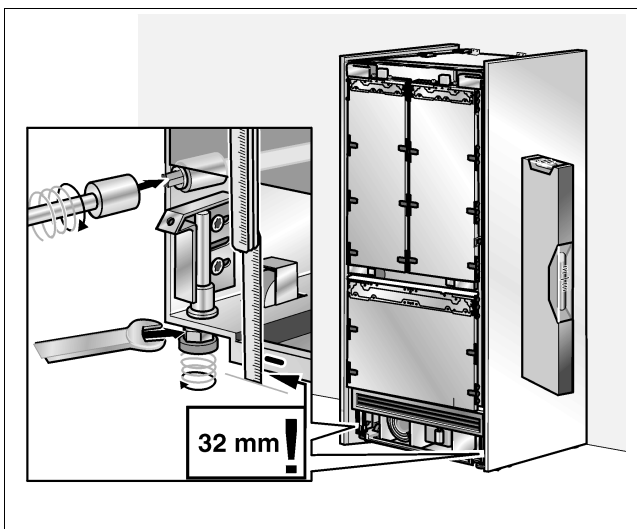
- Remove the base panel.

The height-adjustable feet on the front and rear can all be adjusted from the front.

Front: with a fixed spanner SW 13 mm.

Rear: with a 8 mm socket spanner with flexible shaft.

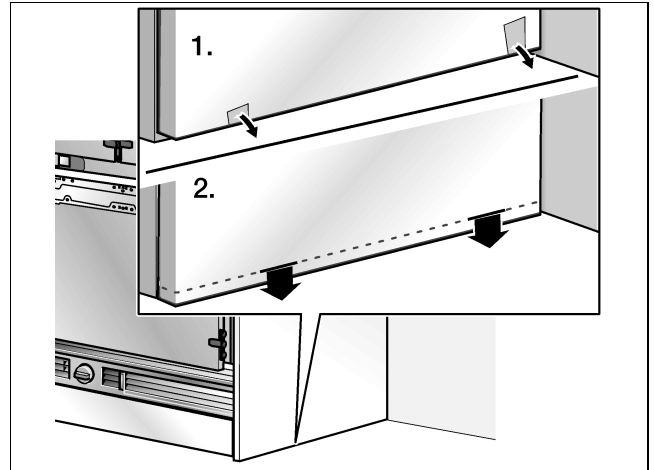
There is a mark on the base of the appliance which serves as a standard measurement for setting the height. When setting the height, raise the mark to 32 mm above the ground.



- Screw the height-adjustable screws as far downwards as possible until the marking on the base has reached the given height (32 mm).

Note

- When screwing down the height-adjustable feet, proceed step by step. Lower by alternating left to right.
- The rear feet can be set more easily if the appliance is not loaded at the rear.
- The lower section of the side panels can be pulled down to compensate for the height adjustment.

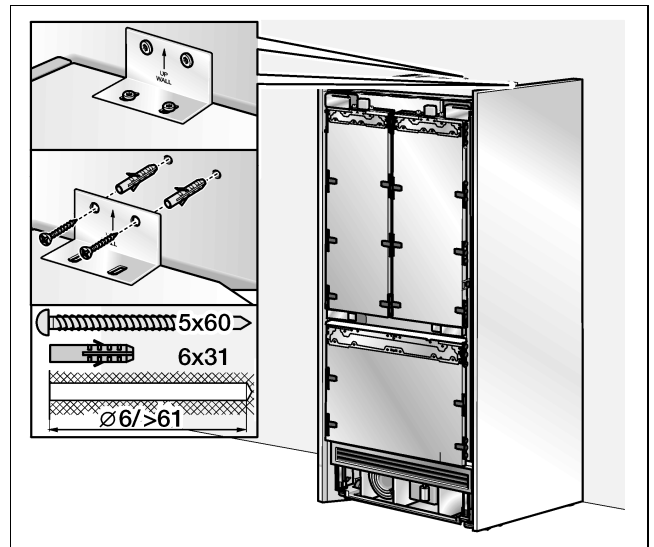


14. Attaching the anti-tipping brackets to the wall

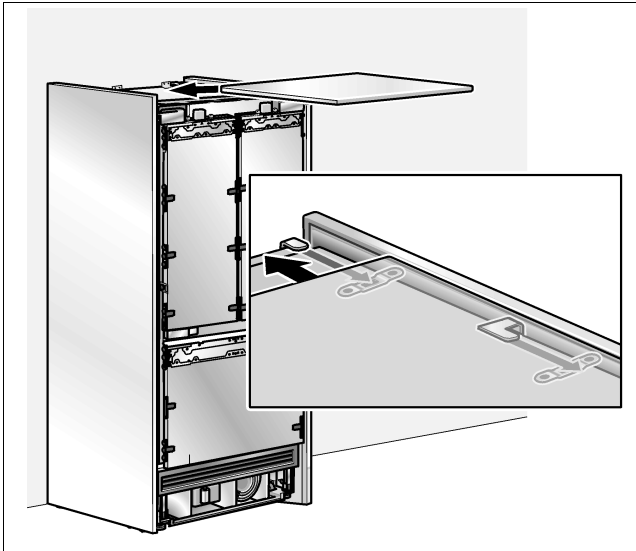
Warning!

Attach the anti-tipping brackets securely to the wall. Risk of serious injuries if the appliance tips over!

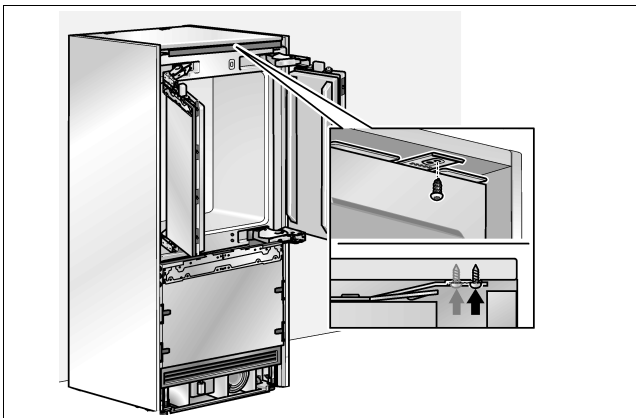
Ensure that in the wall area there are no electrical wires or pipes which could be damaged by screwing the brackets. Risk of injury or damage!



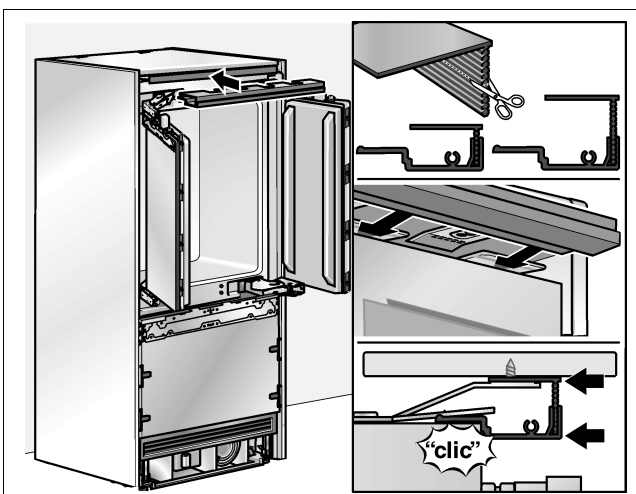
15. Attaching the top cover



- Put on the cover from the front until the connecting clips of the brackets interlock with the fixing clamps. Move the cover back completely!



- Screw the front bars of the fixing clamps above to the cover.



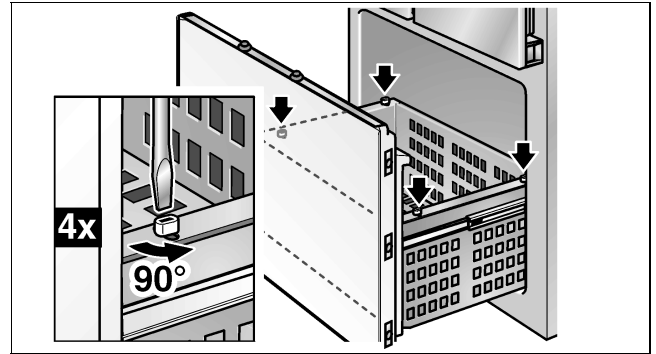
- Fit the covering rib to the fixing clamps (above), cut the connection rib to the desired length!

16. Attach the covering ribs (freezer compartment)

To attach the cover strips, first take the drawers out of the freezer compartment.

Note

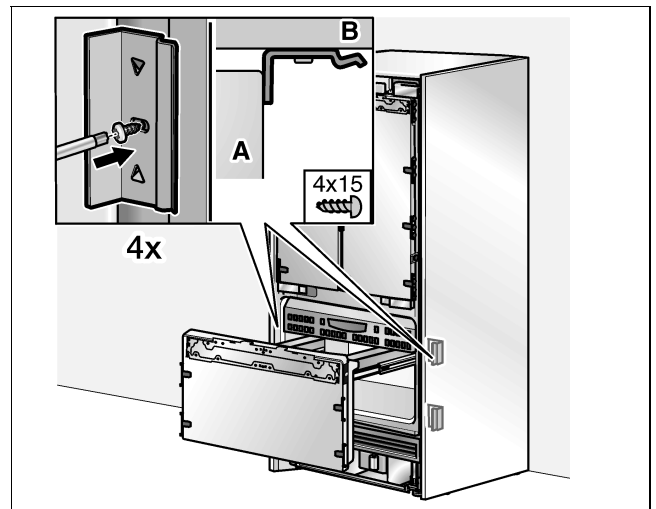
The upper drawer must first be removed before the door drawer can be taken out.



- Turn the fastenings on the pullout section by 90° using a screwdriver.

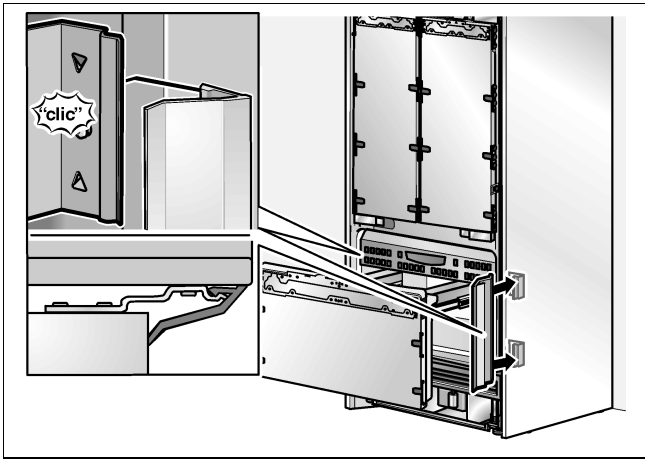


- To take out, lift the drawer slightly and take out.



- A Appliance
- B Cabinet part

- Screw on the angle for fastening the cover ribs.

B

- Attach the cover ribs to the fastening plates brackets.

Re-insert drawers:

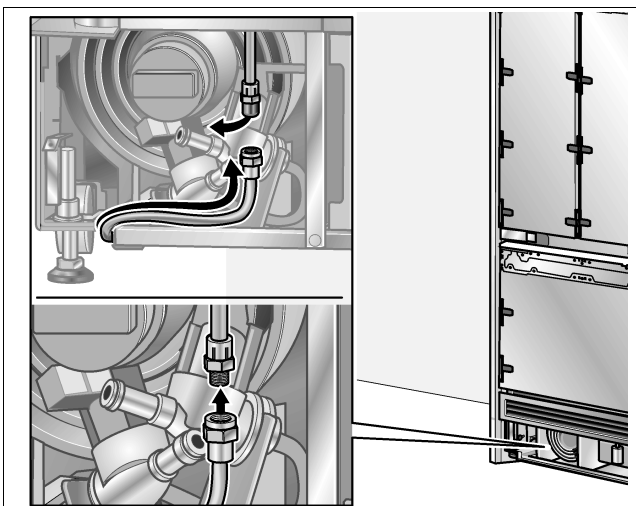
- To place in, lift the front of the drawers slightly and insert in the pullout section. Lower the drawer and slide it backwards.
- Turn the fastenings on the pullout section by 90° using a screwdriver.

17. Connecting the appliance to the water supply

⚠ Caution

Do not kink the hosepipe when bending, otherwise there is the risk of water damage and leakage.

A 3/4" flexible hose is supplied for connection to a domestic mains supply. Care should be taken that the sealing elements supplied are fitted to the appliance and the shut-off valve!



- Remove the plugs from the appliance connection (1).
- Lay the water hose so that it ends at the appliance connection (2).
- Slide the union nut and the sealing element onto the water hose.

- Attach the water hose to the appliance connection and screw on the union nut (3). Screw tightly, using manual force.
- Screw the union nut tightly using the fixed spanner. Do not over tighten!
- Turn on the shut-off valve and the mains water tap. Check the connections at the shut-off valve and the appliance connection for leaks.

18. Switching the appliance on

The appliance should now be switched on for the first time in order to ensure that the following installation stages can be carried out accurately and that the kitchen units have the correct appearance.

- Open the appliance door.
- Actuate the appliance's on/off button.

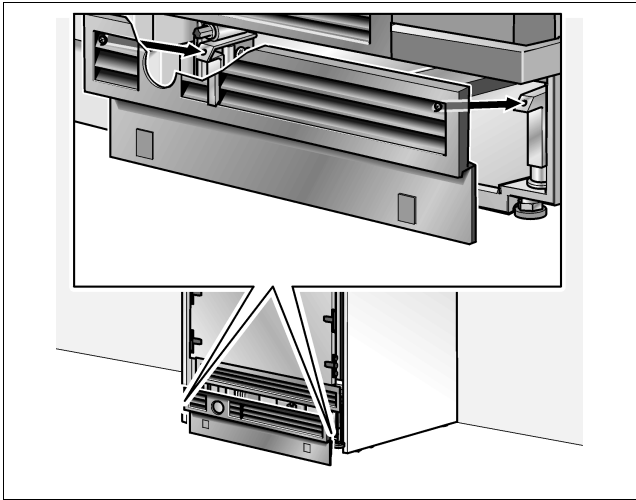
Only for appliances with a water connection:

To avoid the risk of damage from water leaking out if the water pipe has been damaged, keep the shut-off tap closed.

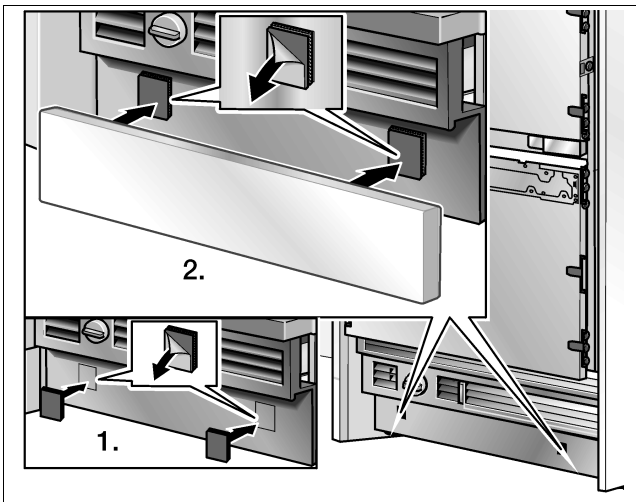
19. Attaching the plinth strip

⚠ Warning

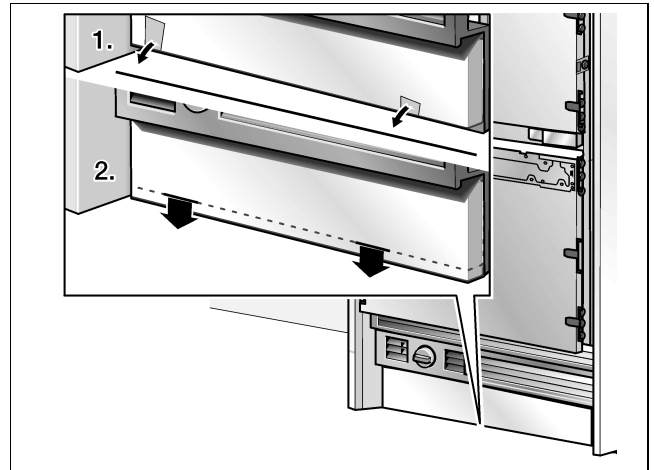
Never cover the ventilation slits with the base panel.
Risk of damage to the appliance.



- Attach base panel to the appliance.



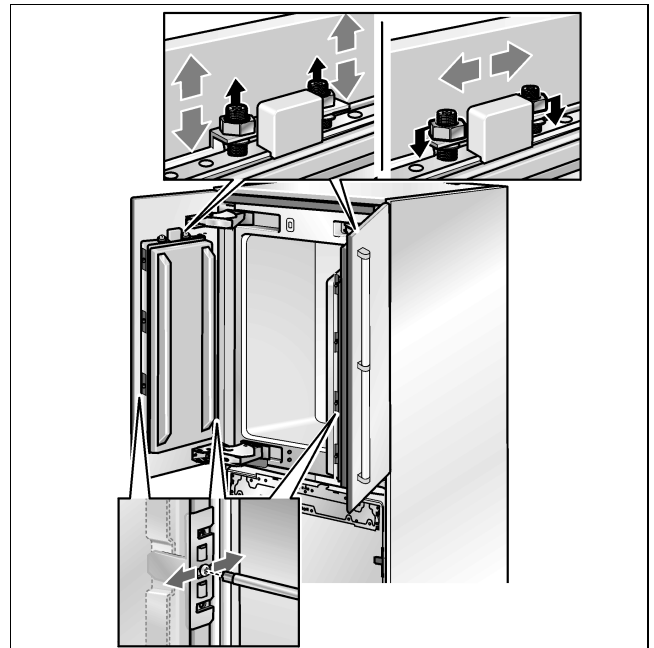
- Stick on the Velcro pads to the base panel (1.).
- Take the protective film off. Put the plinth strip onto the base panel and push firmly (2.).



- The lower section of the plinth strip can be pulled down to compensate for the height adjustment.

20. Preparing the furniture doors

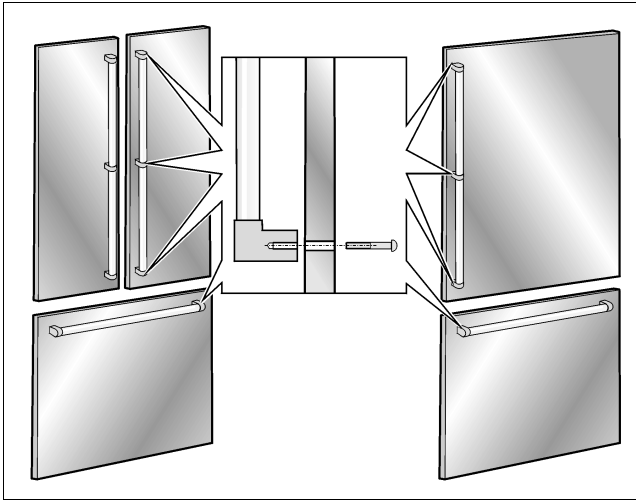
The furniture doors are attached to the appliance with the fastening elements located on the appliance. By using these fastening elements, the furniture door can be adjusted accurately and securely attached to the appliance.



Function of the various parts:

1. Threaded rod on the adjusting rib:
for adjusting the furniture door vertically.
2. Fixing bracket:
for adjusting the cabinet frontage in terms of depth.
3. Nuts on the threaded rod:
for securing the cabinet front to prevent lateral sliding.
4. Lower fixing bracket:
for securing the cabinet front to prevent lateral sliding.

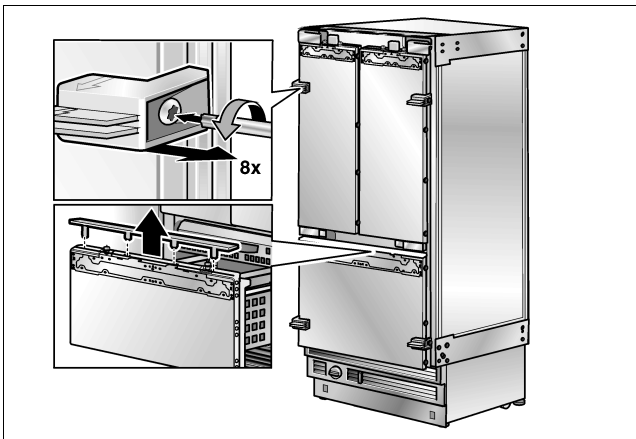
21. Attaching the handles



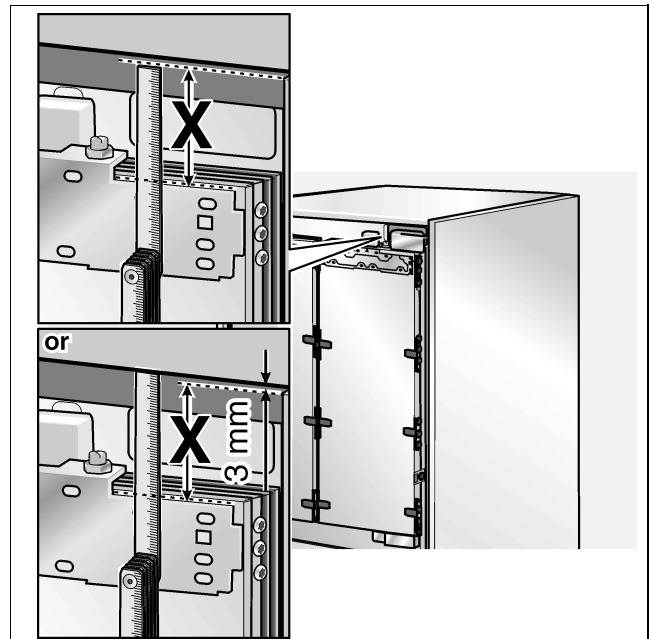
- Attach the handles on the furniture doors. Use the pre-drilled attachment holes.

22. Attaching the adjusting rib to the furniture door (refrigerator compartment)

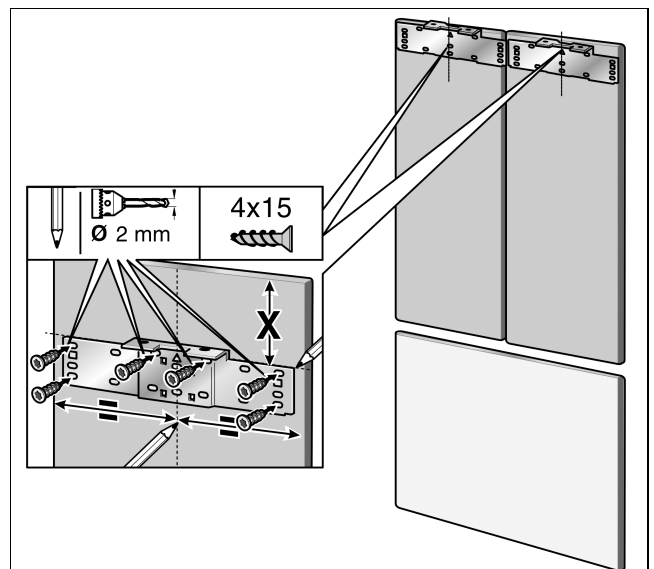
The adjusting rib is the most important tool for adjusting the cabinet frontage.



- Unscrew the positioning aids from the appliance door.
The positioning aids will still be needed in the course of fitting.
- Remove the covering rail from the freezer room drawer.



- Measure the distance **X** between the adjusting rib and the upper edges of the neighbouring furniture doors.

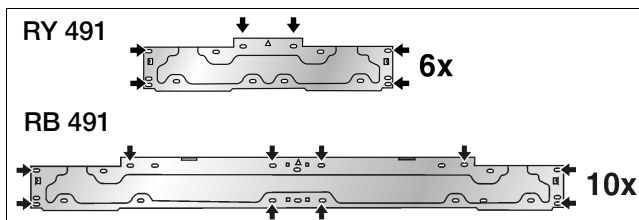


- Mark this value **X** on the rear side of the furniture door.
- Measure the middle of the door and mark it.
- Loosen the two nuts and remove the adjusting rib.
- Rest the adjusting rib on the furniture door and align to the markings. Mark the drill holes.
- Pre-drill the holes.

- Screw the adjusting rib on to the furniture door.

2 door model (RB 491)
with at least 10 screws.

3 door model (RY 491)
with at least 6 screws.

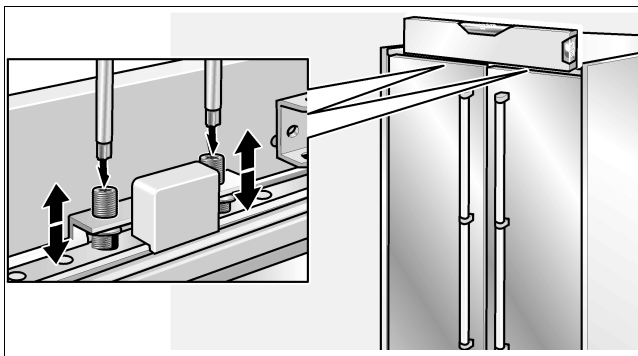


One screw should be screwed in under each threaded rod.

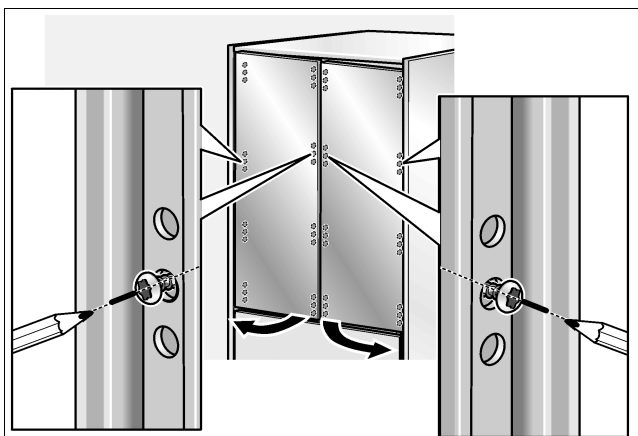
23. Hanging and aligning the furniture door (refrigerator compartment)

The height of the cabinet frontage is set using the threaded rods.

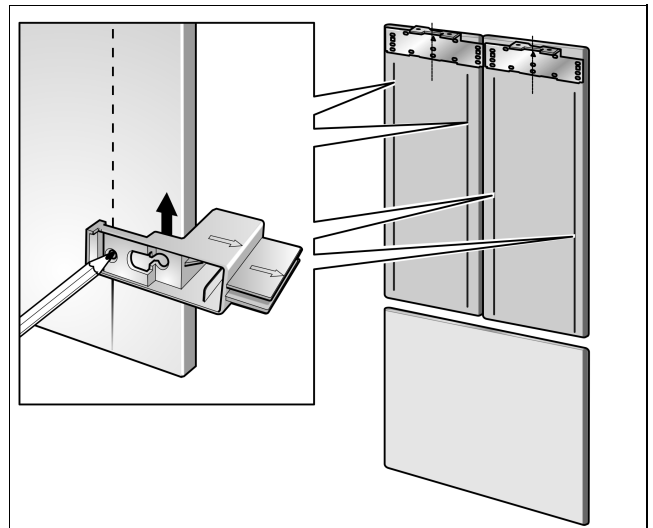
- Hang the furniture door on the threaded rods.



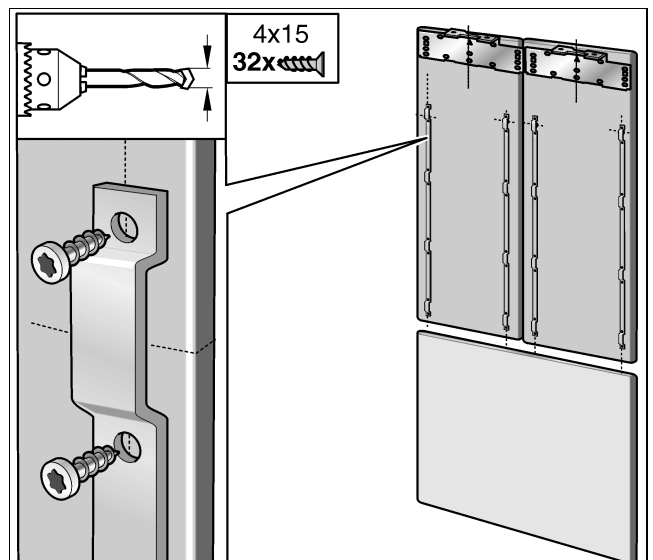
- Adjust the furniture door using the threaded rods (Torx screwdriver)



- Transfer the middle drilled holes on the outside edge of the appliance door to the furniture door and mark them.
- Remove furniture door.

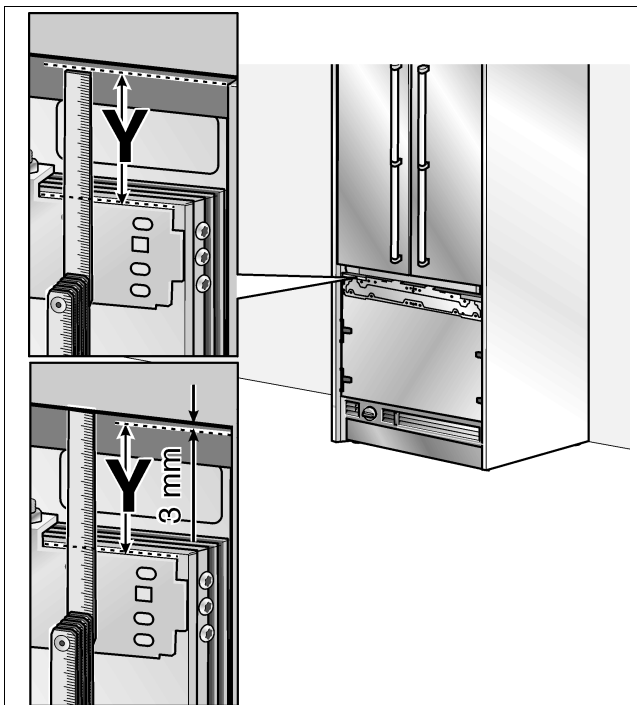


- On both lengths of the furniture door, draw a parallel line with the help of the positioning aid.
- Lengthen the drill hole markings to the parallel lines using a try square.
- Apply the fixing ribs and mark out the holes.
- Pre-drill the holes.

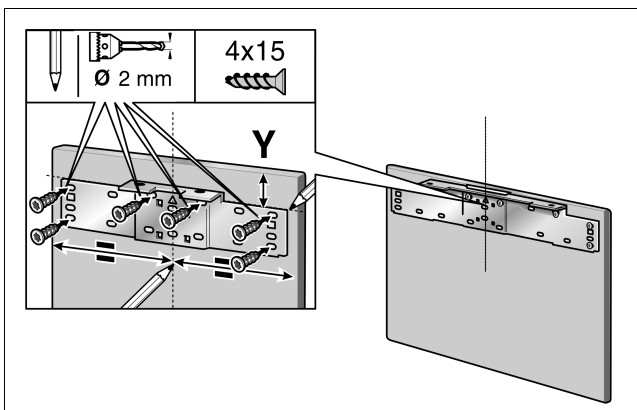


- Screw on the fixing ribs.
- Hang the furniture door on the threaded rods.

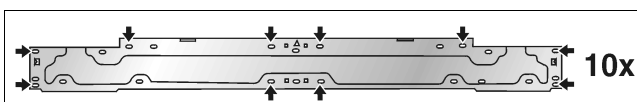
24. Attaching the adjusting rib to the furniture door (freezer compartment)



- Measure distance **Y** between the adjusting ribs and the bottom edge of the refrigerator compartment door.



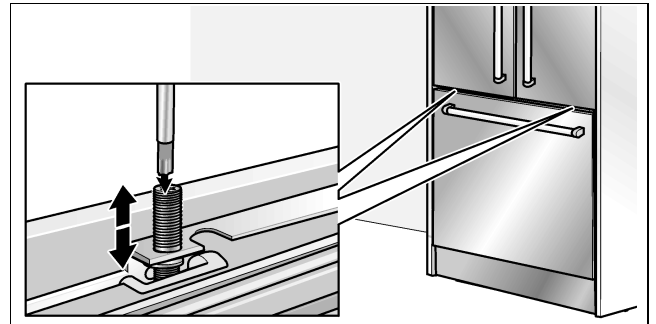
- Mark this value **Y** on the rear side of the furniture door.
- Measure the middle of the door and mark it.
- Loosen the two nuts and remove the adjusting rib.
- Rest the adjusting rib on the furniture door and align to the markings. Mark the drill holes.
- Pre-drill the holes.
- Attach the adjusting rib with at least 10 screws on the furniture door. One screw should be screwed in under each threaded rod.



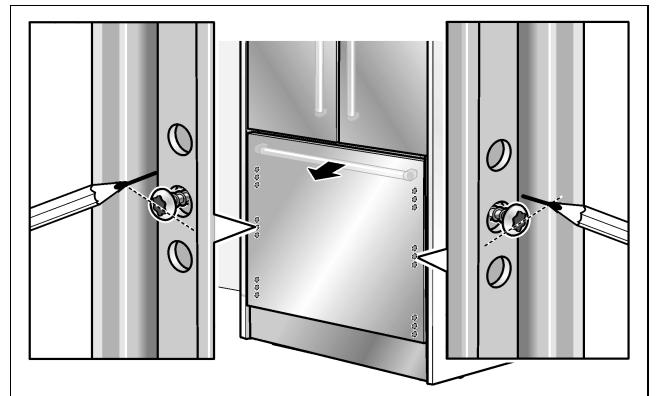
25. Hanging and aligning the furniture door (freezer compartment)

The height of the cabinet frontage is set using the threaded rods.

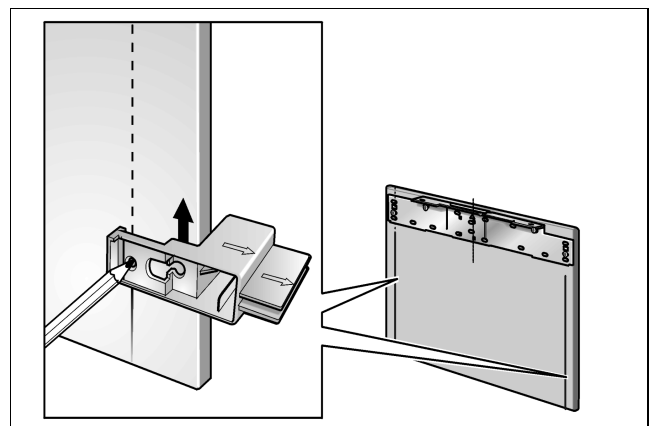
- Hang the furniture door on the threaded rods.



- Adjust the furniture door using the threaded rods (Torx screwdriver).

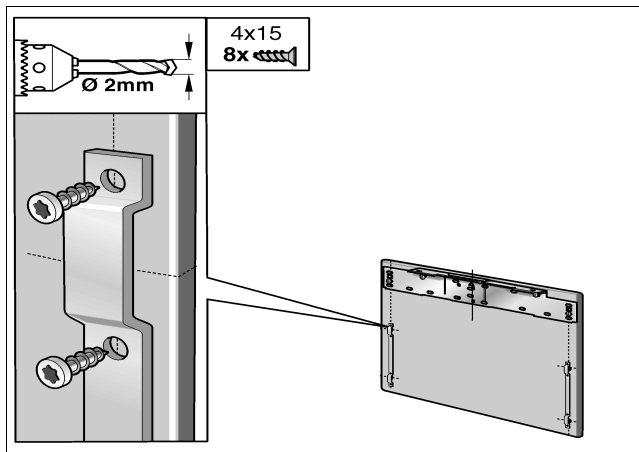


- Transfer the middle drilled holes on the outside edge of the appliance door to the furniture door and mark them.
- Remove furniture door.



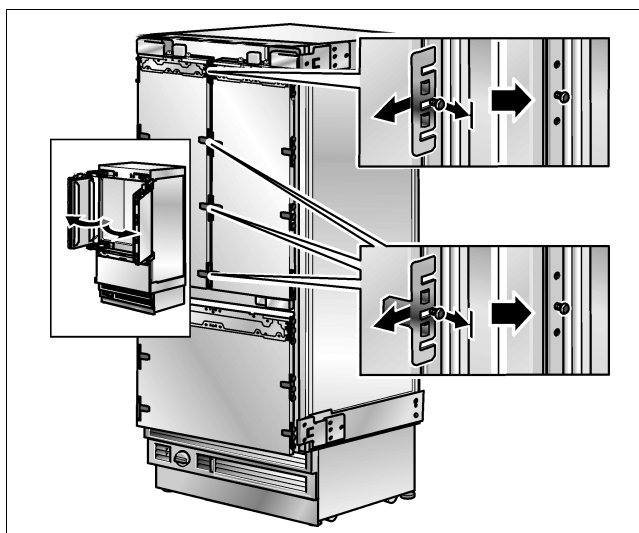
- On both lengths of the furniture door, draw a parallel line with the help of the positioning aid.
- Lengthen the drill hole markings to the parallel lines using a try square.
- Apply the fixing ribs and mark out the holes.

- Pre-drill the holes.

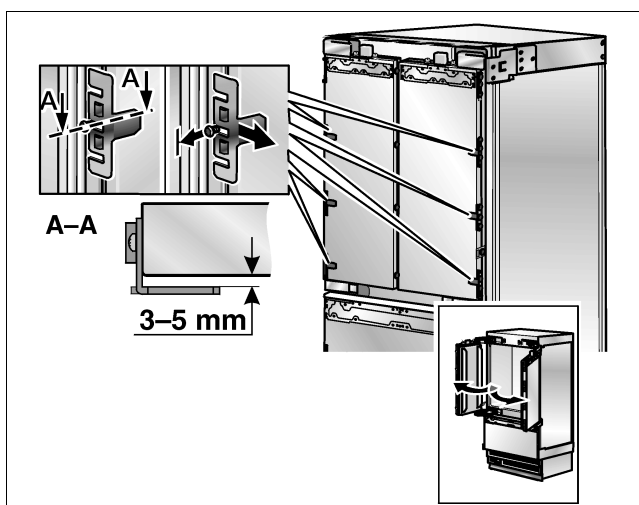


- Screw on the fixing ribs.

26. Mounting the furniture doors (refrigerator compartment)

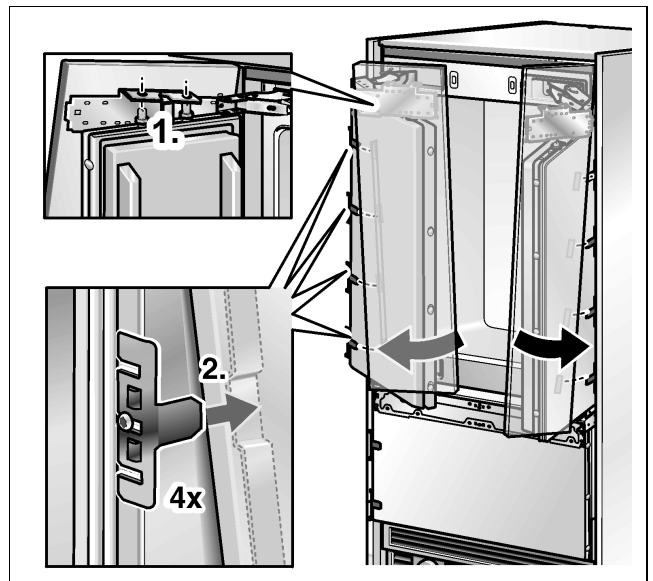


- Remove fixing bracket on the handle side of the appliance door. To do this, loosen the fastening screws only.

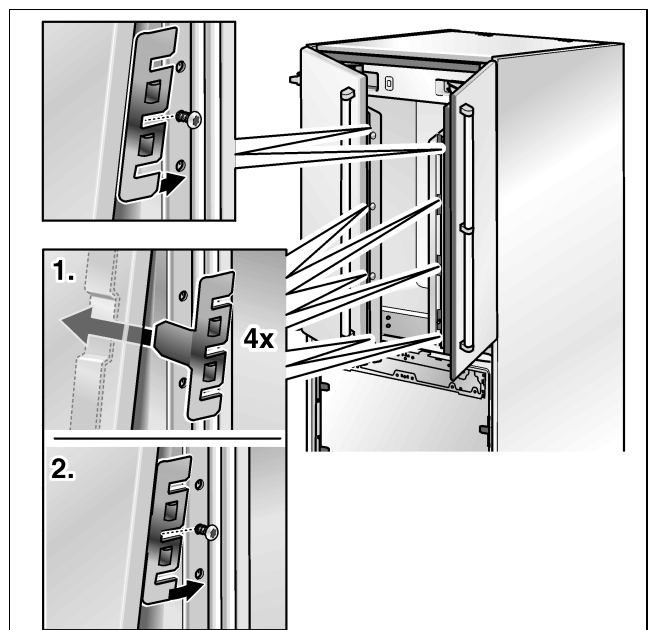


- Loosen fixing bracket on the hinge side and pull slightly off the appliance door. To do this, loosen the fastening screws only.

- Open the appliance door.

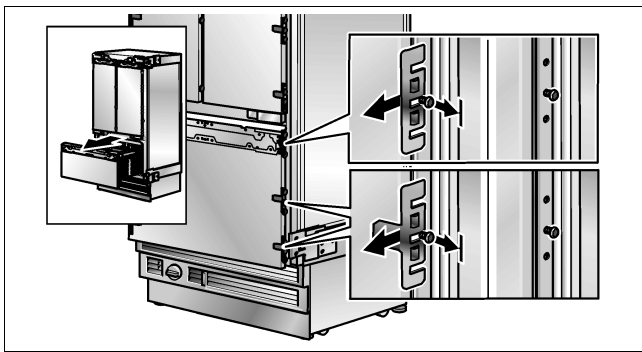


- Hang the furniture door on the threaded rods (1.).
- Raise furniture door slightly and push the fixing ribs down over the fixing brackets (2.).

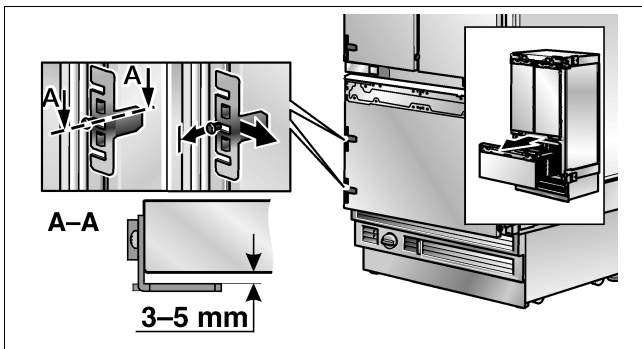


- Insert the fixing brackets that you removed into the fixing ribs and push over the fastening screws.
- Screw the nuts onto the threaded bolts of the adjusting rail. Do not screw tightly!
- Screw the nuts on to the threaded bolts. Do not screw tightly!

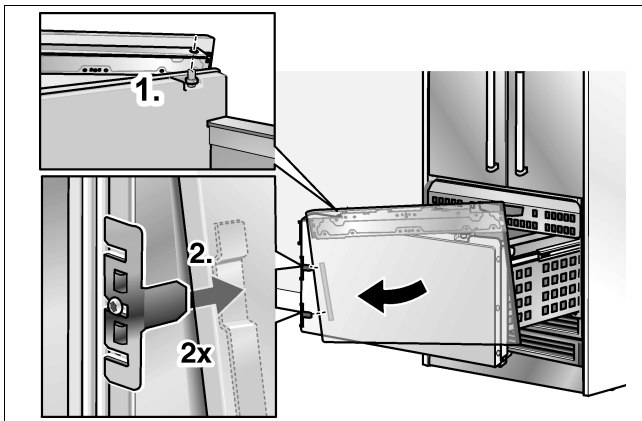
27. Mounting the furniture door (freezer compartment)



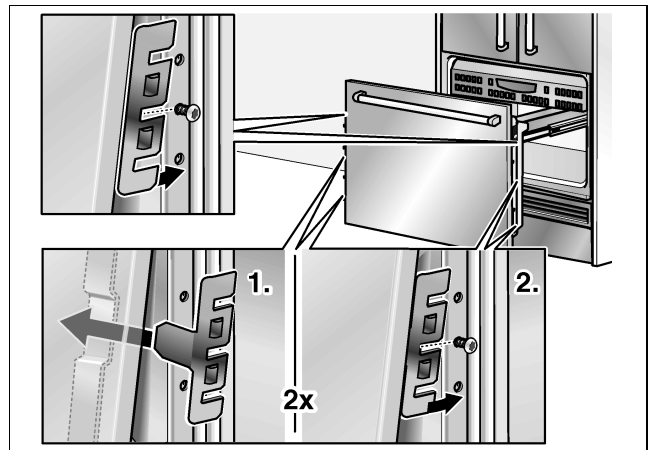
- Remove fixing bracket from one side of the drawer. To do this, loosen the fastening screws only.



- Loosen fixing bracket on the other side of the drawer and pull slightly away from the appliance door. To do this, loosen the fastening screws only.
- Open drawer.

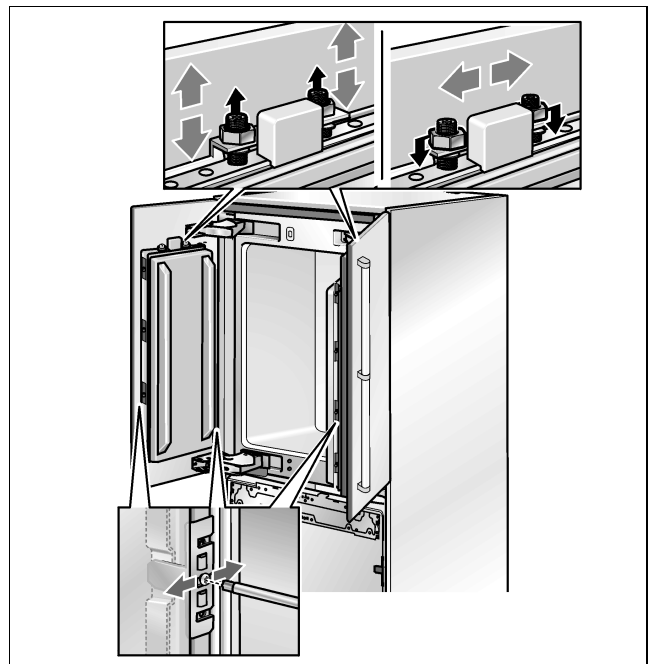


- Hang the furniture door on the threaded rods (1.).
- Raise furniture door slightly and push the fixing ribs down over the fixing brackets (2.).

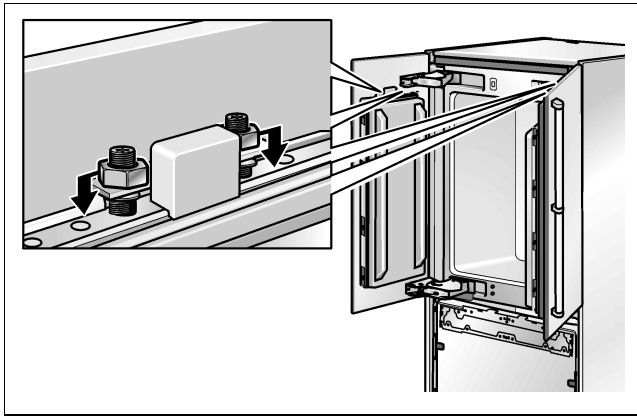


- Insert the fixing brackets that you removed into the fixing ribs and push over the fastening screws.
- Screw the nuts onto the threaded bolts of the adjusting rail. Do not screw tightly!

28. Adjusting and fixing the doors (refrigerator compartment)

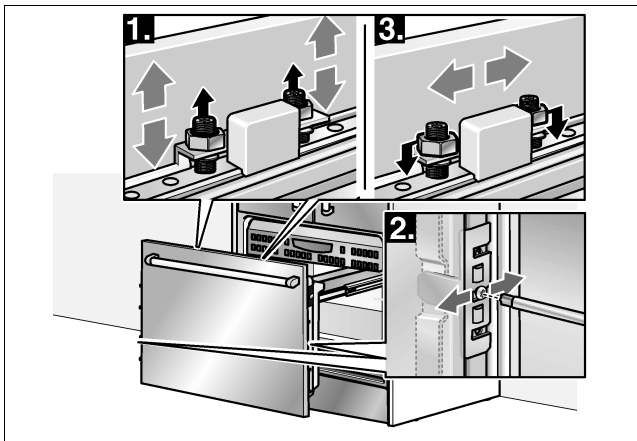


- Adjust the furniture door using the threaded rods (Torx screwdriver). Keep checking the size of the gap.
- Close the door and check that cabinet frontage is aligned with the adjacent fronts. Correct if necessary.
- Tighten the screws on the fixing brackets to fix the depth adjustment.
- Close the door and check the lateral adjustment. Correct the adjustment by lightly tapping on the edge of the open door by hand.

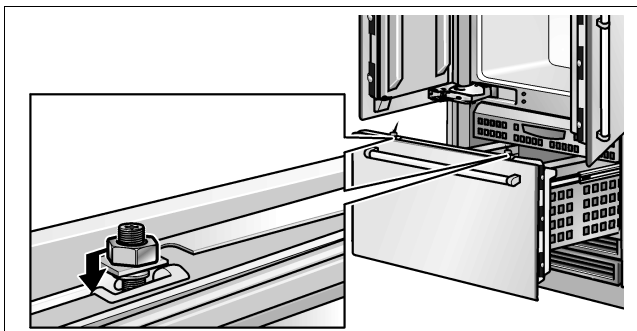


- Tighten the nuts on the adjusting rib. This way, the lateral adjustment of the door is fixed.

29. Adjusting and fixing the drawer (freezer compartment)

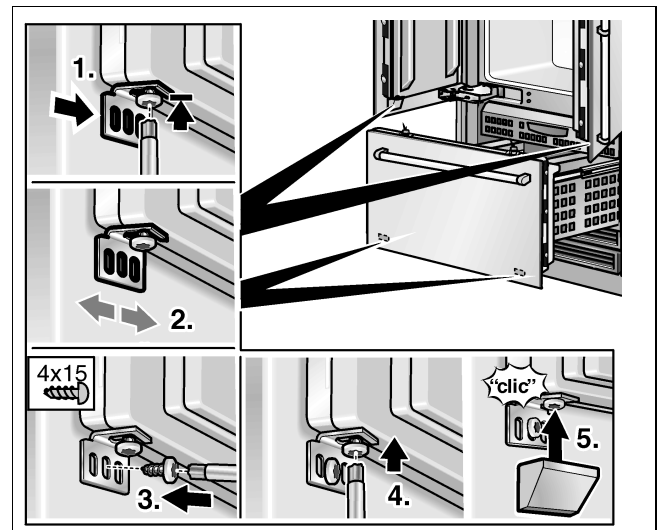


- Adjust the furniture door using the threaded rods (Torx screwdriver). Keep checking the size of the gap.
- Close the door and check that the cabinet frontage is aligned with the adjacent fronts. Correct if necessary.
- Tighten the screws on the fixing brackets to fix the depth adjustment.
- Close the door and check the lateral adjustment. Correct the adjustment by lightly tapping on the edge of the open door by hand.



- Tighten the nuts on the adjusting rib. This way, the lateral adjustment of the door is fixed.

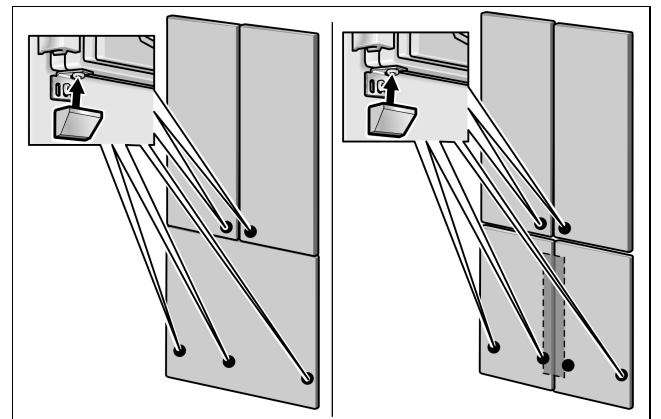
30. Screwing on the lower fixing brackets



- Screw on the lower fixing brackets from the parts set. Pre-drill holes into the furniture door!

The lateral adjustment of the door is fixed through the lower fixing brackets.

- Loosen screw.
- Check the lateral position of the door.
- Screw in the wood screws.
- Tighten the screws.

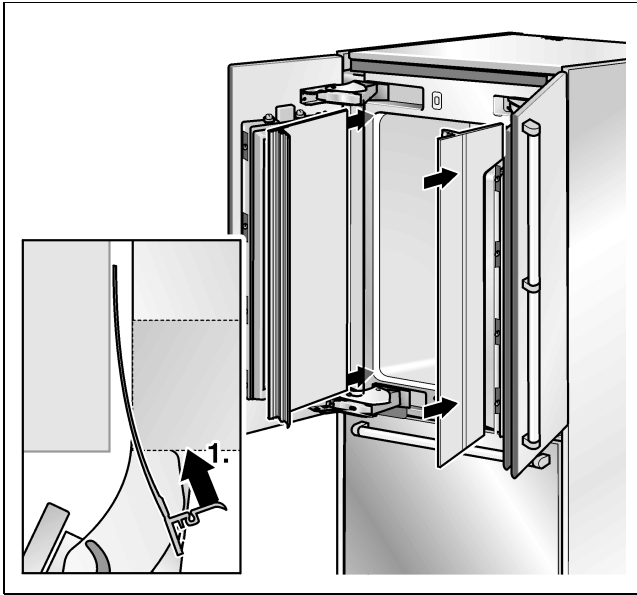


- Put covers over the fixing angles.

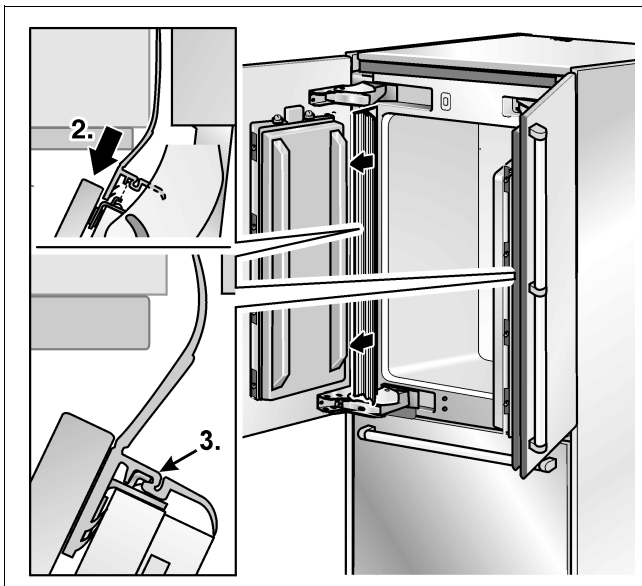
Note

The number of lower fixing brackets depends on the width and design of the furniture door.

31. Fastening the finger protector

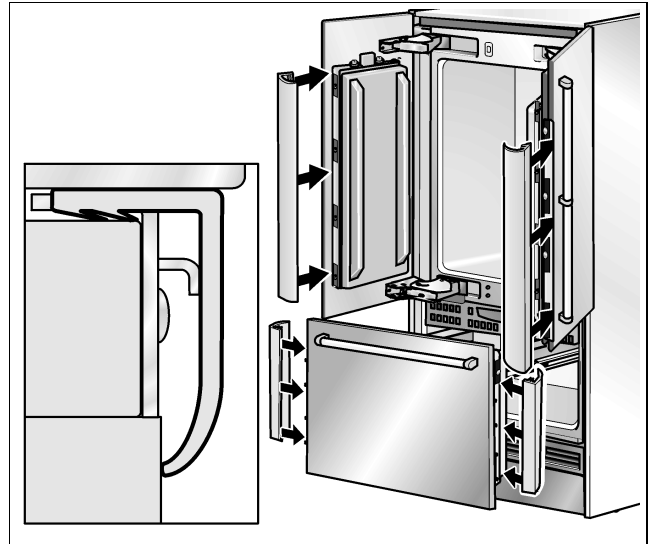


- Push the finger protector into the gap between the appliance and the side panel (1.).

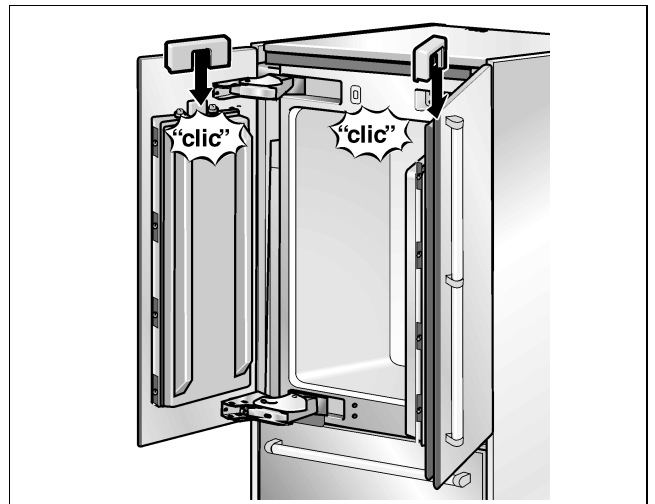


- Press the cover strip of the finger protector from top to bottom between the front of the furniture and the door of the appliance (2.).
- Press the hook of the clip into the profile of the cover strip (3.).
- Test functioning and smooth running by repeatedly opening and closing the door.

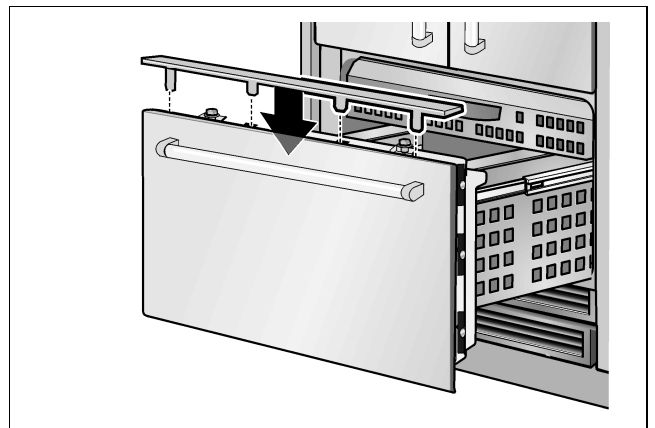
32. Attaching the covers



- Attach the cover ribs on both long sides of the doors and the freezer compartment drawer.



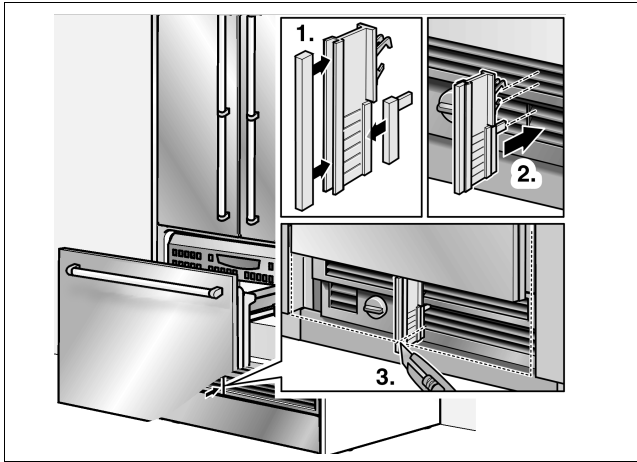
- Attach the light switch cover.



- Attach the covering bars using the adjusting ribs of the freezer compartment drawer.

33. Fitting the air separator

The air separator is used to separate the incoming and outgoing supplies of air for the appliance, to avoid reduced operating capacity.

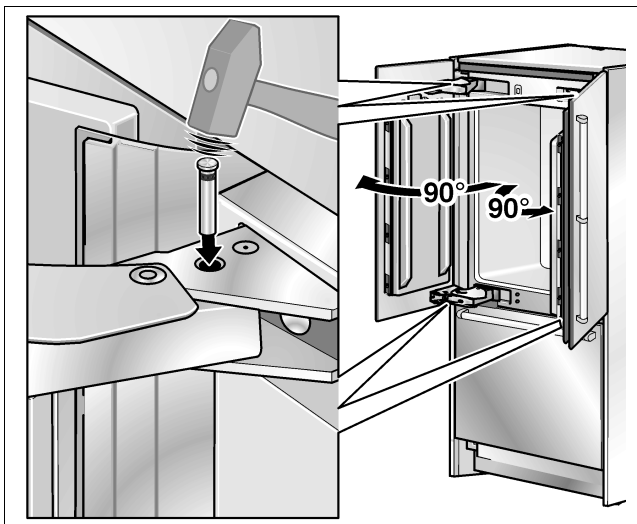


34. Setting the door opening angle (refrigerator compartment door)

Depending on where the appliance is installed, it may be necessary to limit the door opening angle. A door opening angle of 115° is set at the factory.

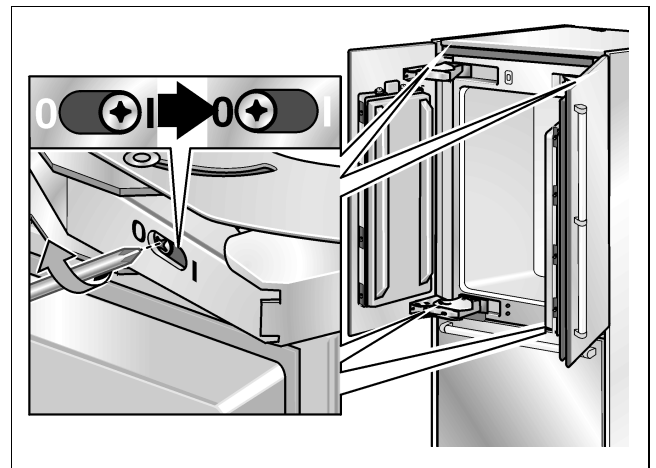
To set the door opening angle to 90°:

- Open the door to 90°.



- Insert stopper rod in the drill holes which are now vertically on top of each other and drive home with a hammer.

35. Tensioning the hinge springs (refrigerator door)



- Turn the setting screw with a cross head screwdriver.

I = spring tension activated

0 = spring tension not activated

D

Gaggenau Hausgeräte GmbH

Carl-Wery-Straße 34

D-81739 München

www.gaggenau.com