

RC 462 AU

RF 463 AU

RW 464 AU

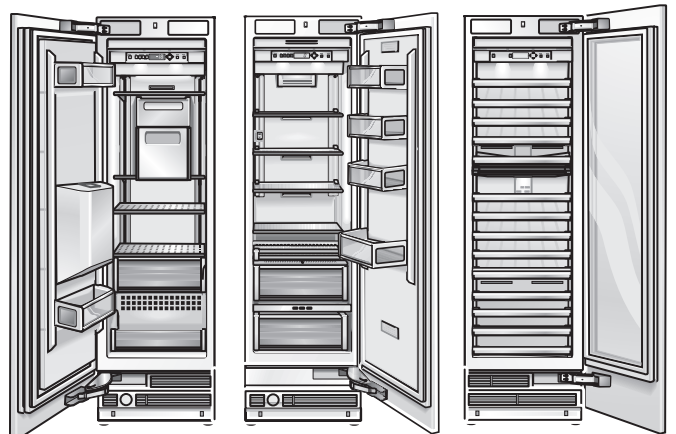


Table of Contents

Safety and warning information	4
---	----------

Installation possibilities	5
---	----------

Stand alone appliance	5
-----------------------------	---

Side-by-Side set up	5
---------------------------	---

Stand alone appliance with dividing wall	5
--	---

As an end section to a row of kitchen units	5
---	---

Moving the appliance to the installation position..	6
--	----------

Installation location	6
-----------------------------	---

Climate class	6
---------------------	---

Installation niche	6
--------------------------	---

Neighbouring kitchen furniture	6
--------------------------------------	---

Subsurface	6
------------------	---

Electrical connection	7
-----------------------------	---

Water connection	7
------------------------	---

Dimensions of the installation niche.....	8
--	----------

Setting-up as an stand alone appliance	8
--	---

Side-by-Side set up	9
---------------------------	---

Location of the water connection	10
--	----

Dimensions of the appliances	11
---	-----------

45.1 cm appliances – freezers with/without water and ice dispens	11
--	----

45.1 cm appliances – wine storage cabinet	12
---	----

60.3 cm appliances – refrigerators and freezers with/without water and ice dispens	13
--	----

60.3 cm appliances – wine storage cabinet	14
---	----

75.6 cm appliances – refrigerators and freezers	15
---	----

Tools and accessories which are needed	16
---	-----------

Scope of delivery	16
-------------------------	----

Additional accessories	16
------------------------------	----

Tools	16
-------------	----

Miscellaneous	16
---------------------	----

Installation instructions	17
--	-----------

A

1. Check the installation niche	17
---------------------------------------	----

2. Transporting the appliance	17
-------------------------------------	----

3. Removing the packaging	18
---------------------------------	----

4. Installation preparation	18
-----------------------------------	----

5. Changing over the door hinges	18
--	----

6. Attaching the anti-tipping brackets to the wall	21
--	----

7. Alternative anti-tipping device	22
--	----

8. Preparing the water connection	23
---	----

9. Attaching the edge protectors	23
--	----

10. Side-by-Side set up	23
-------------------------------	----

B

11. Sliding the appliance into the installation niche	24
---	----

12. Adjusting the appliance in the niche	25
--	----

13. Fastening the appliance to the niche ceiling	26
--	----

14. Fastening the appliance to the side wall of the installation niche	26
--	----

15. Checking that the finger guard moves easily	27
---	----

16. Connecting the appliance to the water supply	27
--	----

C

17. Fastening the plinth strip	28
--------------------------------------	----

18. Switching the appliance on	29
--------------------------------------	----

19. Preparing the furniture doors	29
---	----

20. Loading the appliance door	30
--------------------------------------	----

21. Fastening the adjusting rib to the furniture door	31
---	----

22. Hanging and aligning the furniture door	32
---	----

23. Mounting the furniture door	33
---------------------------------------	----

24. Screwing on the lower fixing brackets ...	34
---	----

D

25. Fastening the finger protector	35
--	----

26. Attaching the covers	35
--------------------------------	----

27. Adjusting the ice and water dispenser ...	36
---	----

28. Attaching covering strips	38
-------------------------------------	----

29. Fitting the air separator	39
-------------------------------------	----

30. Setting the door opening angle	39
--	----

31. Tensioning the hinge springs	39
--	----

Safety and warning information

These installation instructions are intended to help you install your new appliance.

The manufacturer cannot be held liable for installation which has been improperly carried out. We recommend that you allow a qualified specialist to set up and switch the appliance on for the first time.

It is essential to follow all the recommendations and keep to these instructions in order to ensure that the appliance is installed and put into operation safely.

Keep the installation instructions safe for use later on.

Before setting up and switching the appliance on for the first time, read the installation instructions fully and thoroughly.

Warning

The appliances are very heavy and must be secured from tipping when transporting, when mounting and when operating. It is essential to fit an anti-tip device.

Keep the doors closed until the appliance has been fully installed and secured according to these instructions.

Because of the weight/dimensions of the appliance and to minimise the risk of injuries and damage to the appliance at least two people are required to set-up the appliance securely.

Use the appliances according to the prescribed only for the intended purpose.

Pull out the plug or remove the fuse before commencing work on the appliance.

Only customer service may change the power cable and carry out any other repairs. Improper installations and repairs may put the user at considerable risk.

Apart from statutory national regulations, you should adhere to the connection terms applied by local electricity and water companies.

Caution

Setting up and installing this appliance requires extensive expertise in various fields (mechanics, carpentry, plumbing, electrics).

It is the duty of the person setting the appliance up to guarantee that it is set up and commissioned safely.

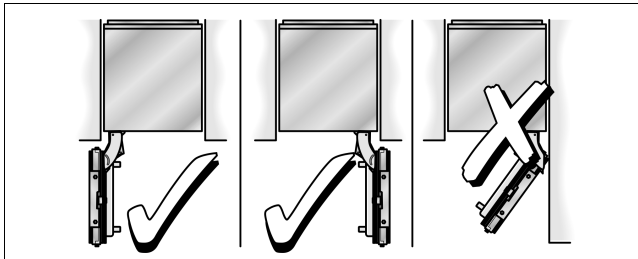
Mistakes in setting the appliance up and damage resulting from this do not come under the manufacturer's warranty. Terms of guarantee can be found in the operating instructions for the appliances.

Installation possibilities

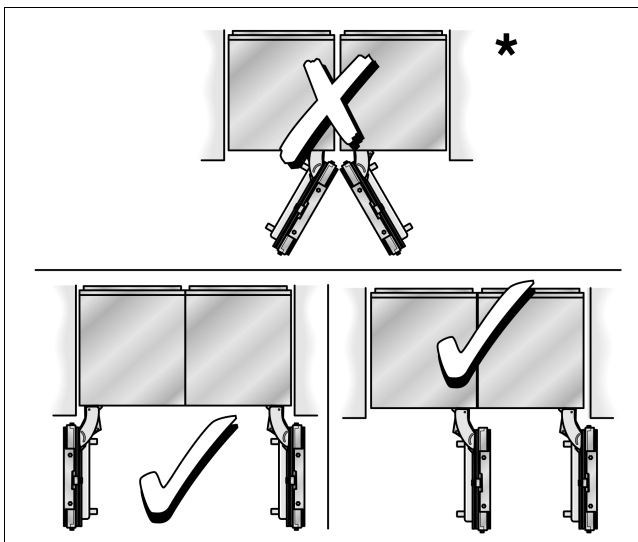
Various installation possibilities are available.

These are only limited by the kitchen design and the finger protection function.

Stand alone appliance



Side-by-Side set up

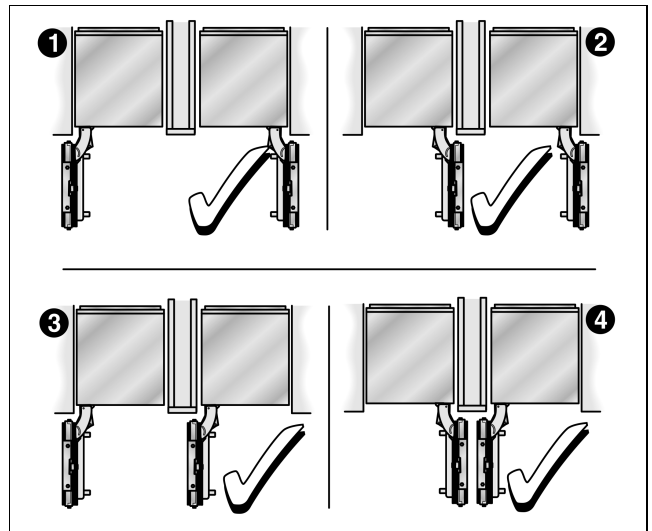


* it is necessary to have a dividing wall!

If two appliances are set up next to each other, a sealing kit for Side-by-Side combination should be used in order to guarantee a stable connection.

Further information concerning this can be found in the section "Tools and accessories which".

Stand alone appliance with dividing wall



Note:

- When measuring the dividing wall for model 4, pay attention to the thickness of the furniture front to be mounted in order to avoid damage when opening doors at the same time.
- If the distance between the appliances is less than 160 mm, the heating kit for the Side-by-Side combination should be used.

Further information concerning this can be found in the section "Tools and accessories which".
- The minimum thickness of the dividing walls is 16 mm.

As an end section to a row of kitchen units

If a side of the appliance is visible, use a side covering.

The side covering must be connected firmly to the wall, the floor and the upper cupboards before the appliance is slid into the installation niche.

The dimensions of the side covering are governed by the opposing niche wall. During installation, make sure that the installation niche has right angles and has the exact size necessary for the appliance.

Moving the appliance to the installation position

Installation location

⚠ Caution!

The appliance is very heavy. Data relating to the weight when empty is found in the following table:

Appliance	Weight (empty)
Refrigerator 60.3 cm (24")	approx. 131 kg
Refrigerator 75.6 cm (24")	approx. 145 kg
Freezer 45.1 cm *	approx. 109 kg
Freezer 60.3 cm *	approx. 131 kg
Freezer 75.6 cm *	approx. 145 kg
Wine storage cabinet 45.1 cm	approx. 109 kg
Wine storage cabinet 60.3 cm	approx. 131 kg

* without water and ice dispenser

The appliance should be installed in a dry, well ventilated space.

The location should not be exposed to the direct sunlight and should not lie next to a source of heat such as a cooker or a radiator etc. If installation next to a source of heat cannot be avoided, either a suitable insulating plate should be used or you should keep to the following minimum distances:

- 3 cm to electric or gas cookers.
- 30 cm to an oil-fired or solid-fuel cooker.

Climate class

The climate class can be found on the rating plate. It states the room temperature within which the appliance can be operated.

Climate class	Permitted ambient temperature
SN	+10 °C to 32 °C
N	+16 °C to 32 °C
ST	+16 °C to 38 °C
T	+16 °C to 43 °C

Installation niche

It is important to keep to the stated dimensions of the installation niche with a view to trouble-free fitting, and the sub-subsequent appearance of the kitchen furniture frontage.

Special care should be taken that the niche has right angles. The side walls should not exhibit areas that stick out, projections or unevenness.

You should determine the right angles of the installation niche with appropriate means, e.g. by measuring diagonally and by using a spirit level.

The side walls and the upper end of the installation niche must be at least 16 mm thick.

Neighbouring kitchen furniture

The new appliance is screwed down tightly using parts of the cabinet and the upper cabinet.

Care should therefore be taken, that all upper cabinets to which something has been fastened are securely connected to the subsurface or wall by appropriate means.

The minimum thickness of the base should be a minimum of 19 mm.

Subsurface

⚠ Caution!

A fully laden appliance is heavy, data relating to the weight when empty is found in the following table.

Appliance	Weight (laden)
Refrigerator 60.3 cm (24")	approx. 400 kg
Refrigerator 75.6 cm (24")	approx. 500 kg
Freezer 45.1 cm *	approx. 250 kg
Freezer 60.3 cm *	approx. 350 kg
Freezer 75.6 cm *	approx. 425 kg
Wine storage cabinet 45.1 cm	approx. 245 kg
Wine storage cabinet 60.3 cm	approx. 310 kg

* without water and ice dispenser

The subsurface must be level and even in order to ensure that the appliance is securely installed and works correctly.

The subsurface must be made from a hard, non-flexible material.

The floor of the installation space must be the same height as the rest of the space.

On account of the weight of a fully-laden appliance, it is necessary to have a bearing subsurface. In the case of doubt, the help of architect or specialist builder should be enlisted.

Electrical connection

Do not use extension cables or distributors. This appliance must be connected to a permanent socket.

The socket for connecting the appliance must be freely accessible. Connect the appliance only to 220–240 V/ 50 Hz AC current via a socket which has been properly installed. The socket must be fused with a 10 to 16 A fuse.

For appliances operated in non-European countries, the identification plate should be checked to see whether the electric voltage and type of current match those of the mains supply. The power cable must only be replaced by a technician.

Warning

On no account should the appliance be connected to electronic energy saver plugs or to converters which convert DC current to 230 V AC (e.g. solar appliances, marine on-board power supplies).

Water connection

Caution

Connect the appliance to a cold water pipe only.

A cold water connection is necessary for operating the automatic ice maker.

The appliance must be installed in accordance with AS/NZS3500.1 and AS/NZS3500.2.

The maximum water temperature should not exceed 40 °C. The water pressure must lie between 0.17 and 0.5 MPa (1.7 and 5 bar). The installation must correspond to the local plumbing regulations.

A separate shut-off valve should be installed in the coldwater inflow.

The shut-off valve should not be located behind the appliance. It is recommended that you fit the shut-off valve directly next to the appliance or at another place which is easily accessible.

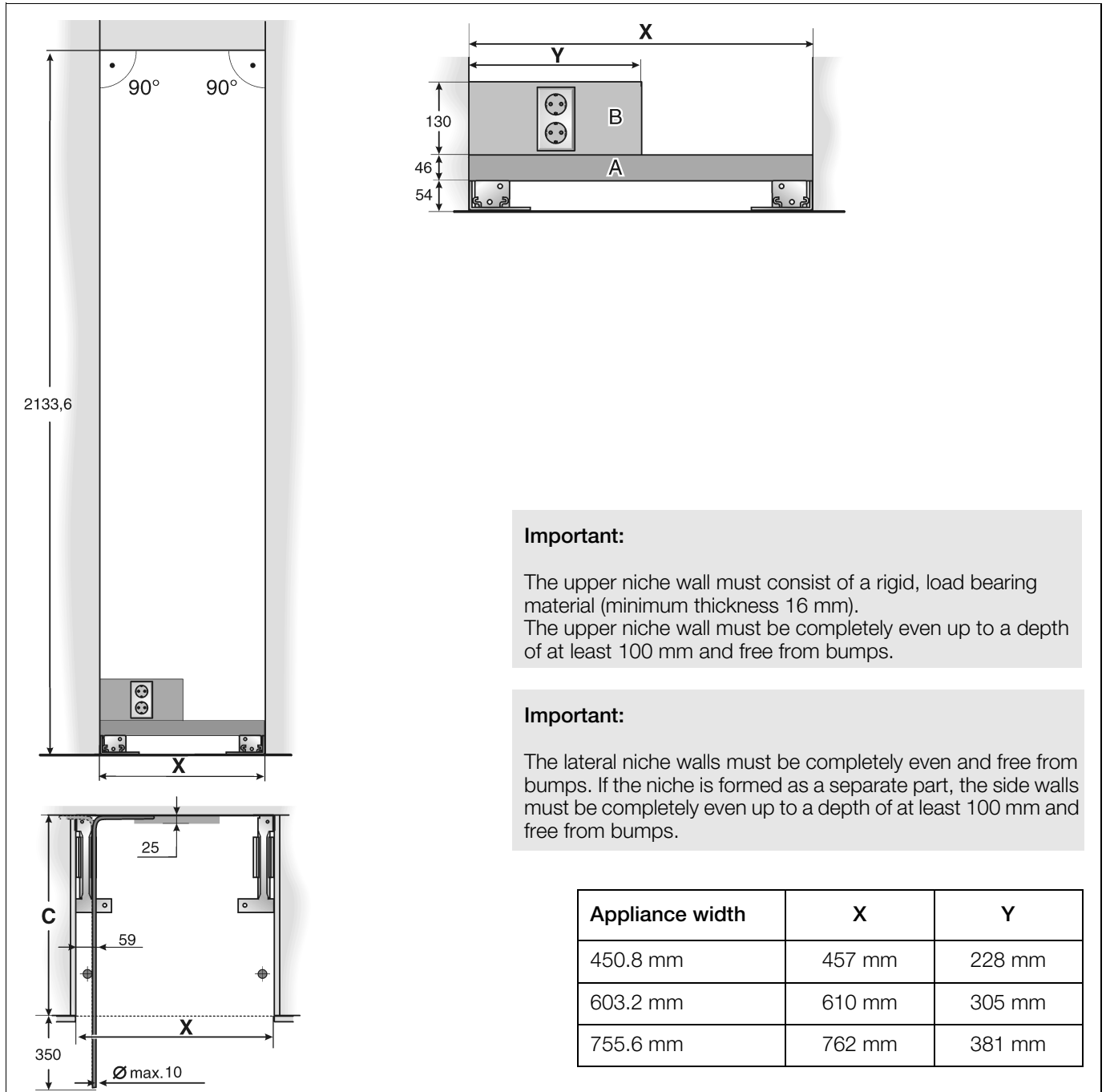
When installing the water connection, pay attention to the permissible installation area for the water pipe. For more information concerning the permissible installation area, see the section “Dimensions of the installation”.

Note, if the water line for the cold water connection is not included in the product package:

- For connection to the drinking water mains use only water pipes which are suitable for drinking water. Observe national regulations and the connection conditions of the local water supply companies.
- The maximum outside diameter of the water pipe (without connecting pieces) is 10 mm.

Dimensions of the installation niche

Setting-up as an stand alone appliance



Important:

The upper niche wall must consist of a rigid, load bearing material (minimum thickness 16 mm).
 The upper niche wall must be completely even up to a depth of at least 100 mm and free from bumps.

Important:

The lateral niche walls must be completely even and free from bumps. If the niche is formed as a separate part, the side walls must be completely even up to a depth of at least 100 mm and free from bumps.

Appliance width	X	Y
450.8 mm	457 mm	228 mm
603.2 mm	610 mm	305 mm
755.6 mm	762 mm	381 mm

- Key:**
- A Area for installation of the water connection
 - B Area for installation of the electric current
 - C Depth of the installation niche, depending on the kitchen design
- C = 610 mm minimum!

Note:

The installation niche must have right angles.
 The side walls should not exhibit areas that stick out, projections or unevenness.

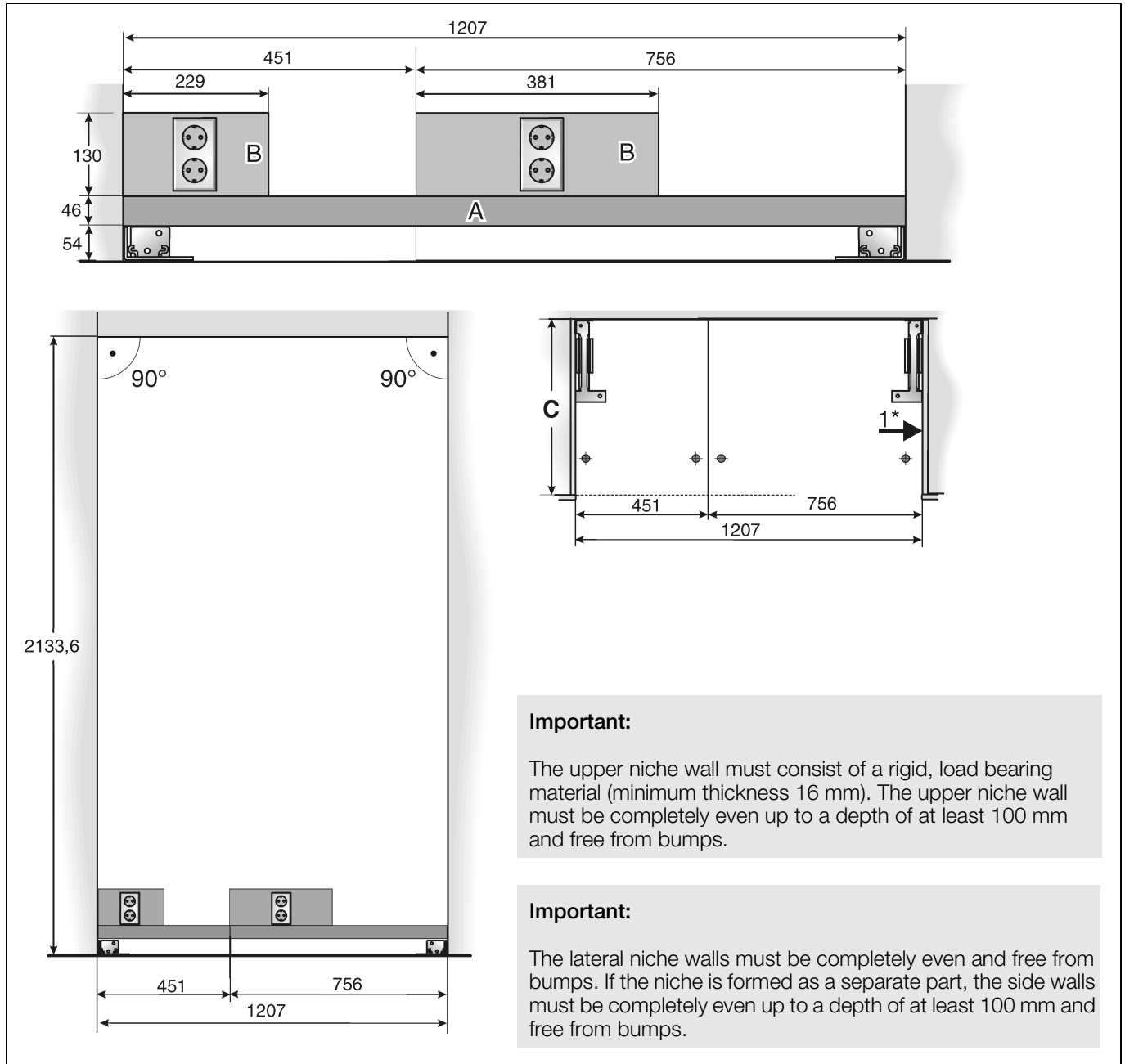
Side-by-Side set up

The dimensions stated for the respective appliance also apply for the installation of two appliances next to each other.

The overall width of the niche is made up by adding the niche widths necessary for the individual appliances.

Example:

Freezer 45.1 cm wide/Refrigerator 75.6 cm wide



Key:

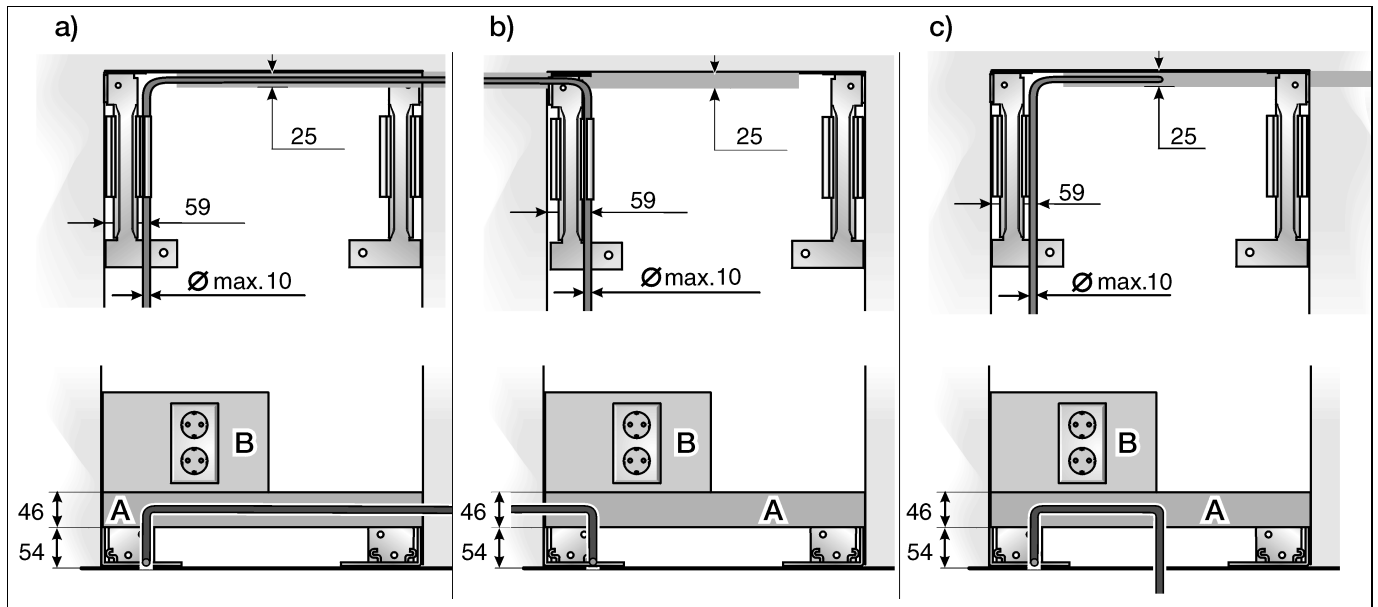
- A Area for installation of the water connection
 - B Area for installation of the electric current
 - C Depth of the installation niche, depending on the kitchen design
- C = 610 mm minimum!

Note:

The installation niche must have right angles. The side walls should not exhibit areas that stick out, projections or unevenness.

Location of the water connection

The mains supply can be laid to the appliance from the right-hand side (a), from the left-hand side (b) or from the space below the appliance (c).

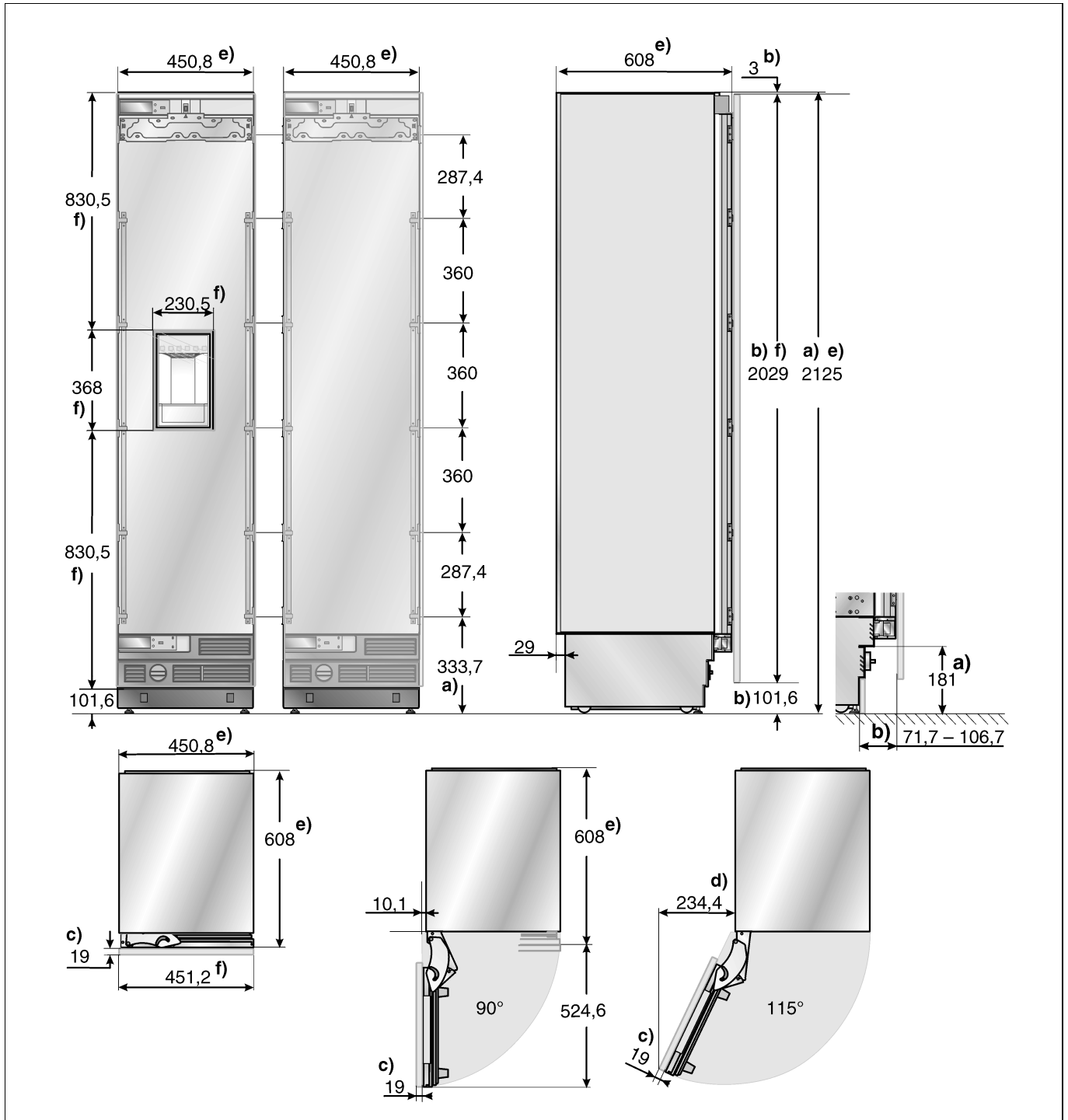


Key:

- A Area for installation of the water connection
- B Area for installation of the electric current

Dimensions of the appliances

45.1 cm appliances – freezers with/without water and ice dispens

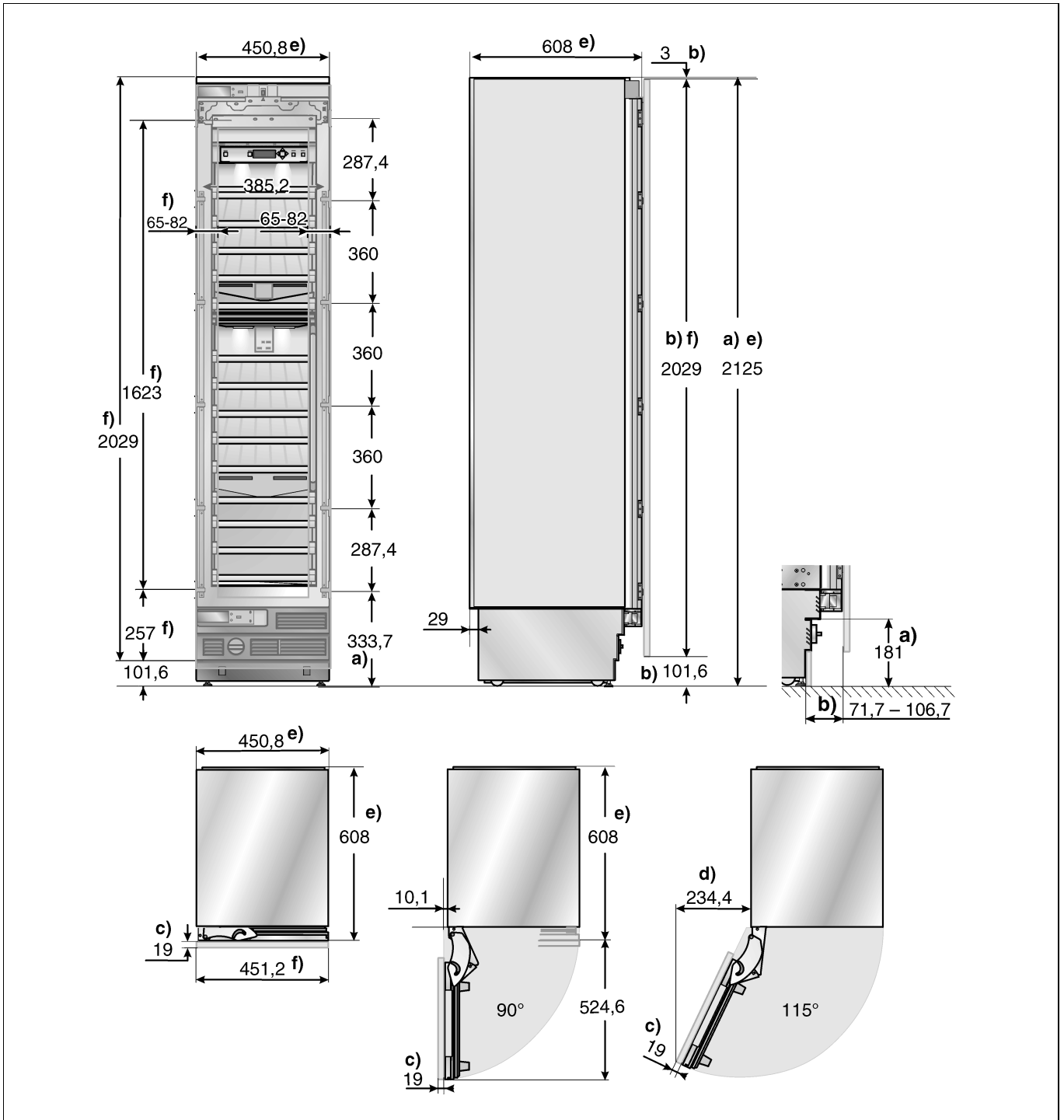


Key:

An example is shown with a continuous furniture frontage.

- a) The adjustment range of the appliance feet is +35 mm/-13 mm.
- b) Dimensions can vary.
- c) The thickness of the door covering can vary.
- d) This dimension can vary, depending on installation, thickness of the furniture door to be mounted and the neighbouring kitchen furniture.
- e) Dimensions of the appliance
- f) Dimensions of the furniture door

45.1 cm appliances – wine storage cabinet



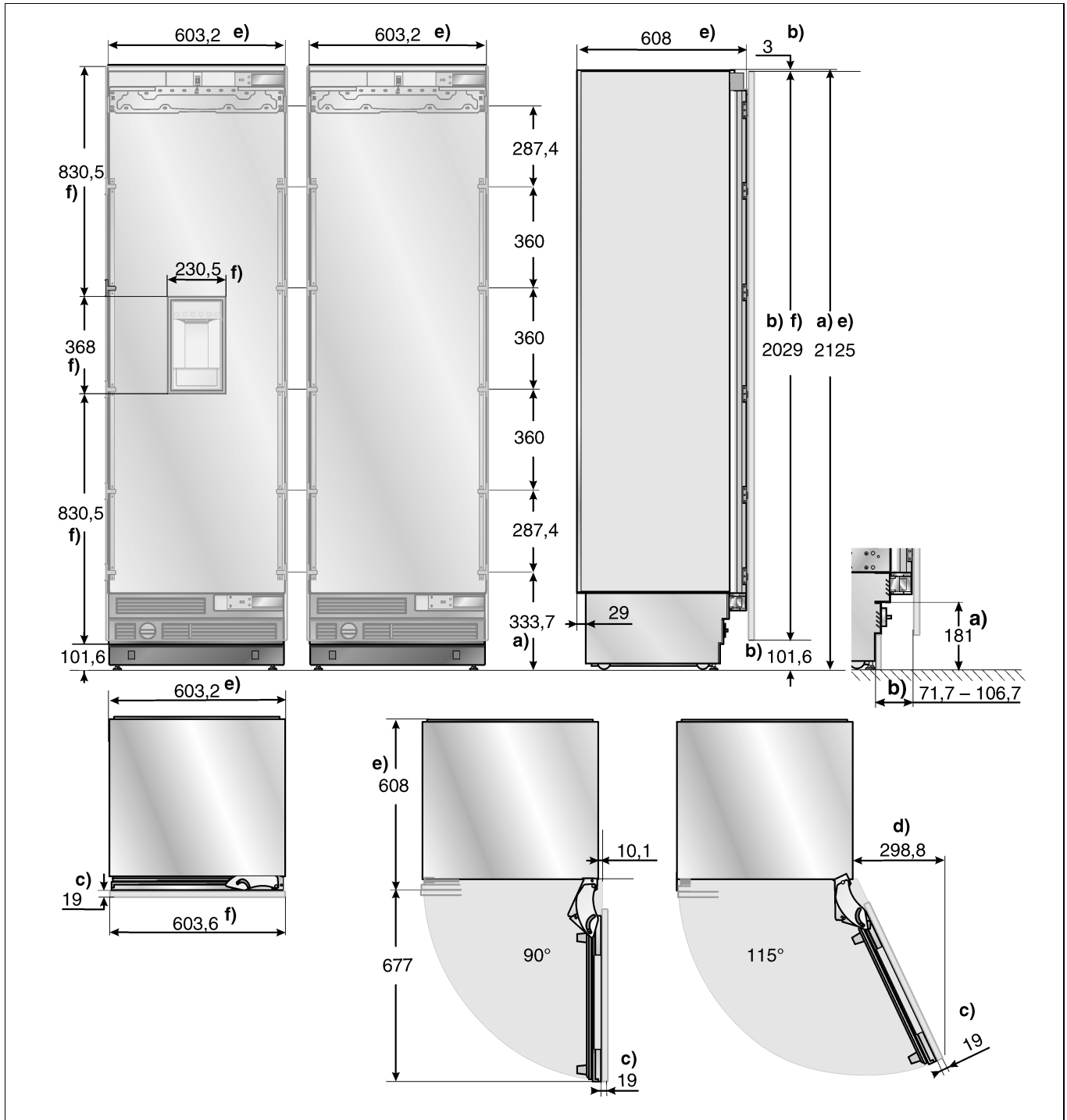
Key:

An example is shown with a continuous furniture frontage.

- a) The adjustment range of the appliance feet is +35 mm/-13 mm.
- b) Dimensions can vary.
- c) The thickness of the door covering can vary.

- d) This dimension can vary, depending on installation, thickness of the furniture door to be mounted and the neighbouring kitchen furniture.
- e) Dimensions of the appliance
- f) Dimensions of the furniture door

60.3 cm appliances – refrigerators and freezers with/without water and ice dispens



Key:

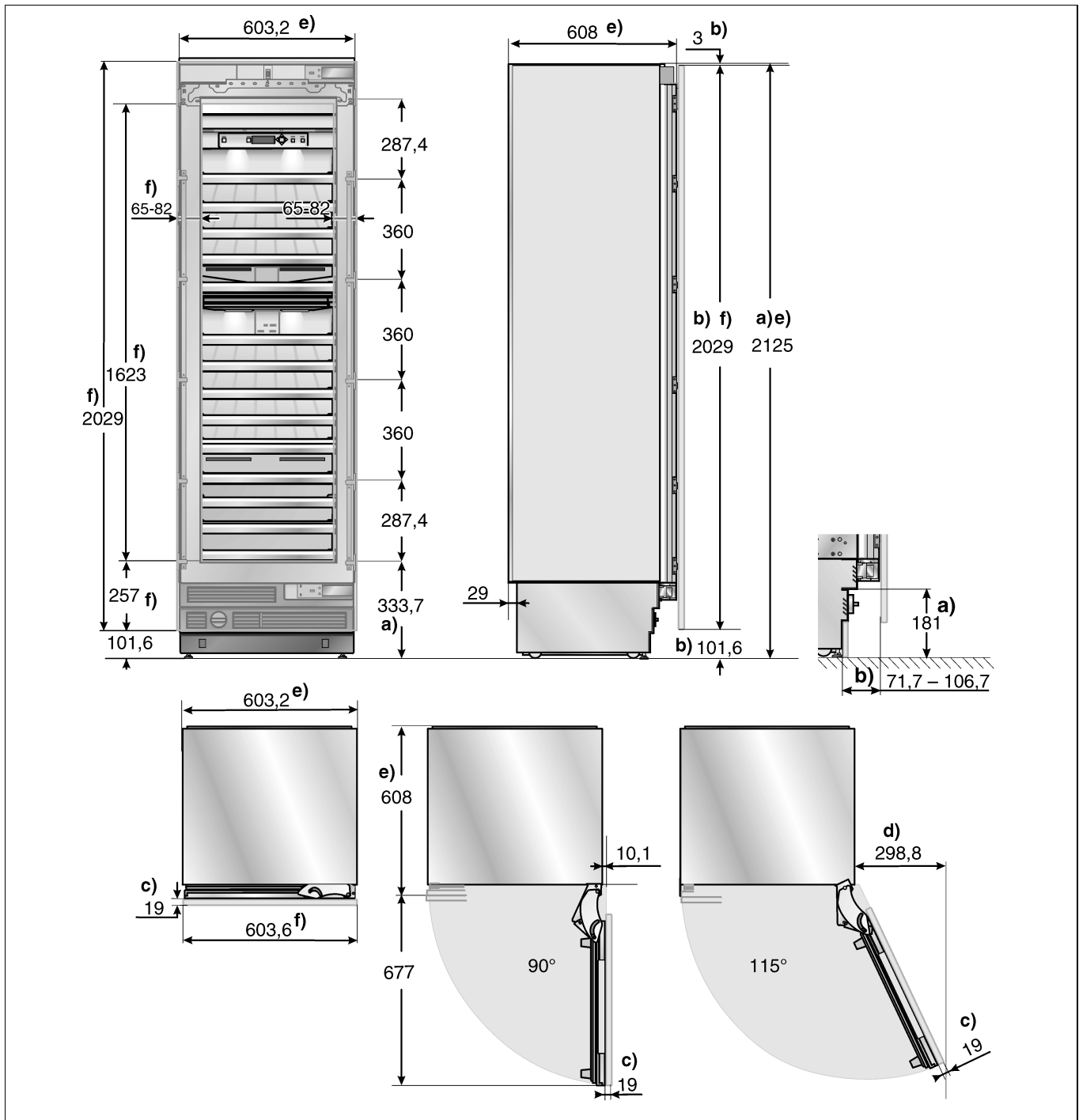
An example is shown with a continuous furniture frontage.

- a) The adjustment range of the appliance feet is +35 mm/-13 mm.
- b) Dimensions can vary.
- c) The thickness of the door covering can vary

d) This dimension can vary, depending on installation, thickness of the furniture door to be mounted and the neighbouring kitchen furniture.

- e) Dimensions of the appliance
- f) Dimensions of the furniture door

60.3 cm appliances – wine storage cabinet

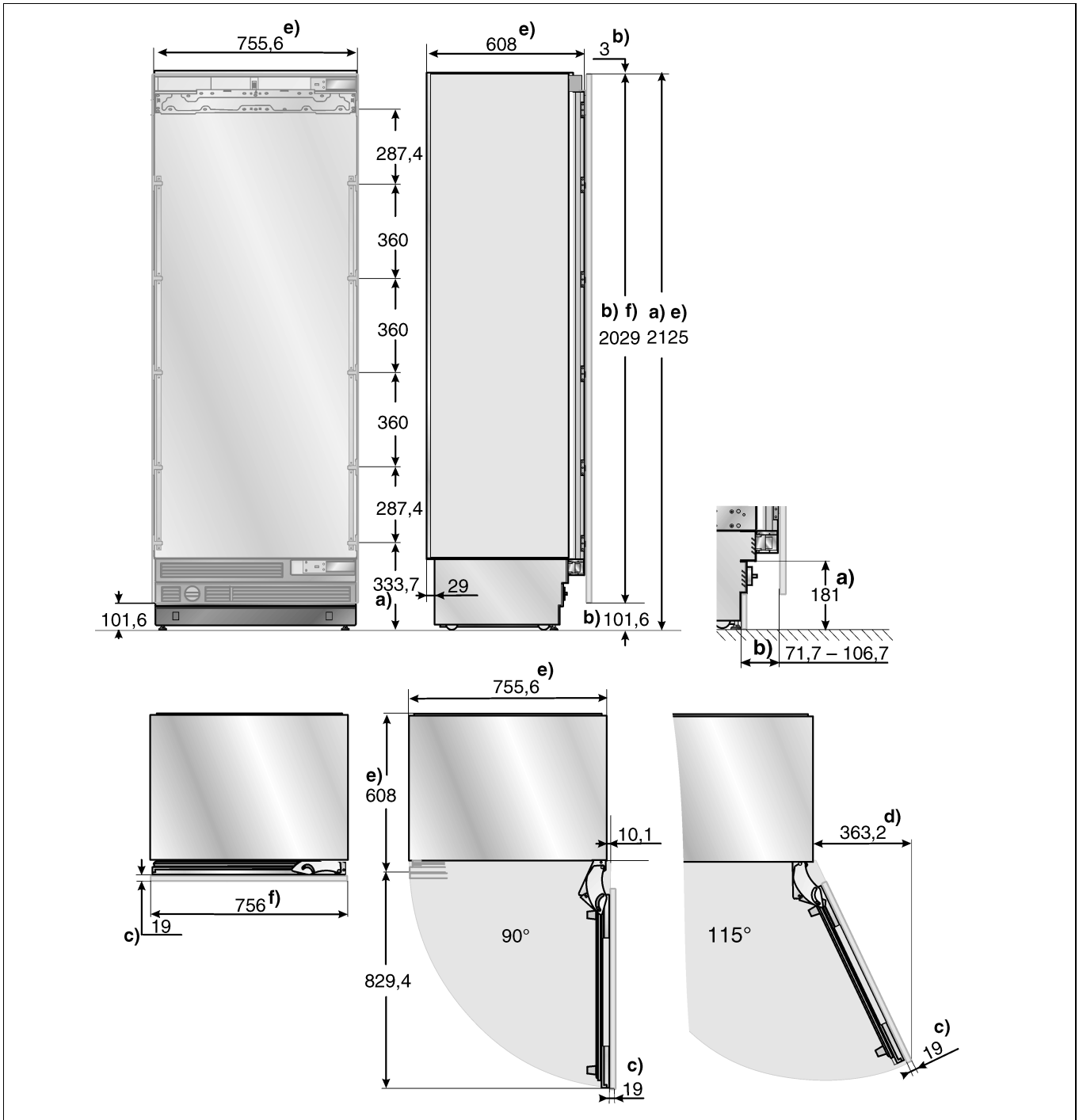


Key:

An example is shown with a continuous furniture frontage.

- a) The adjustment range of the appliance feet is +35 mm/-13 mm.
- b) Dimensions can vary.
- c) The thickness of the door covering can vary.
- d) This dimension can vary, depending on installation, thickness of the furniture door to be mounted and the neighbouring kitchen furniture.
- e) Dimensions of the appliance
- f) Dimensions of the furniture door

75.6 cm appliances – refrigerators and freezers



Key:

An example is shown with a continuous furniture frontage.

a) The adjustment range of the appliance feet is +35 mm/-13 mm.

b) Dimensions can vary.

c) The thickness of the door covering can vary.

d) This dimension can vary, depending on installation, thickness of the furniture door to be mounted and the neighbouring kitchen furniture.

e) Dimensions of the appliance

f) Dimensions of the furniture door

Tools and accessories which are needed

Scope of delivery

- Installation manual
- Operating instructions
- Installation accessories

Additional accessories

Installation accessories for Side-by-Side installation

For permanent connection of two appliances, e.g. a freezer next to a refrigerator.

Lateral additional heating

Necessary when the distance between two appliances is less than 160 mm.

Connecting element for furniture doors

For connecting two furniture doors (see explanation in Section "19. Preparing the furniture doors"). It can be used for standard height furniture doors without any preparation work.

Tools

- T20 rechargeable screwdriver
- T20 Torx screwdriver
- T20 Torx-bit magnetic holder
- 8 mm socket wrench
- Various size drills
- Fixed spanner SW 13 mm
- Adjustable spanner
- Knife with an adjustable blade
- Metal tape measure
- Try square
- 60 cm and 120 cm spirit levels
- Straight edge

for stand-alone appliances min. 120 cm long

for setting up two appliances Side-by-Side
min 200 cm long

Miscellaneous

- Step ladder
- Roll trolley, fork-lift trolley or sack trolley
- Hammer drill for drilling holes into the wall and floor
- Various size drills for various materials
- Wood plank, (min. 8 x 10 cm) as an alternative anti-tip device. Length should correspond to the width of the installation niche.
- Various size wood screws
- Screw (M8, at least 80 mm long), nut
- Thin (1.5 mm), material suitable for protecting the floor against damage (e.g. linoleum)
- Suitable material for covering and protecting the cabinets (e.g. protective film)
- Adhesive tape

Note:

Before using, check whether the removed adhesive tape leaves adhesive residue on the work surfaces! Otherwise do not use on high-quality work surfaces.

Installation instructions



The following installation instructions describe the stages for installing various different models of appliance.

Therefore, there may be differences from that shown in the diagrams.

Special reference is made where there are specific installation stages for particular appliances.

1. Check the installation niche

⚠ Caution!

In order to guarantee secure, trouble-free installation and an optimal overall impression of the adjacent cabinet frontage careful care should be taken in ensuring that the installation niche corresponds to the installation requirements.

- Check the subsurface.
Follow the notes in the section “Moving the appliance”.
- Check the dimensions of the niche.
- Re-examine whether the niche has right angles.
- Check the positioning of the socket.

Also follow the instructions in the sections “Electrical connection” and “Dimensions of the installation”.

- Check the positioning of the water connection (for appliances with ice maker)

Also follow the instructions in the sections “Water connection” and “Dimensions of the installation”.

- Re-examine the stability and fastening of the neighbouring cabinet parts. All cabinet parts in the vicinity of the appliance have to be firmly connected to the wall.
- Check that when opening the appliance door, it does not collide with adjacent items in the kitchen (for door opening angle).

2. Transporting the appliance

⚠ Warning

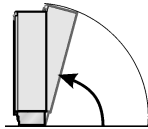

The appliance is very heavy. Handle it carefully, as otherwise people helping to lift it could be hurt or the appliance could be damaged.

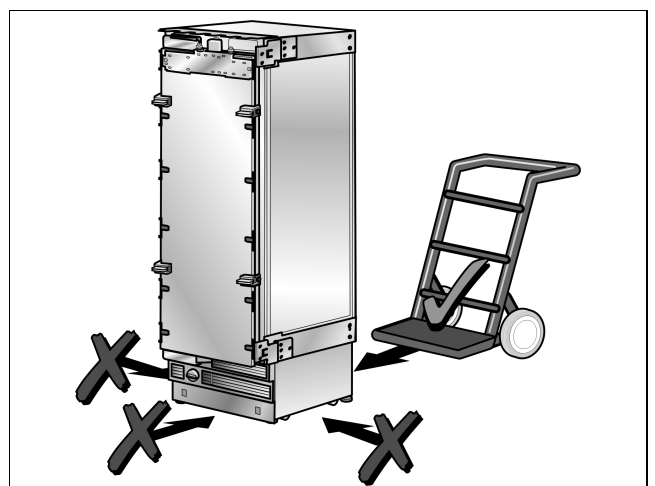
Transport the appliance using a device that is suitable for the appliance and the local (sack trolley, fork-lift trolley or roll trolley).

When transporting, secure the appliance from being tipping over.

The appliance has a height of 2125 mm. If it is not possible to support the appliance in a vertical position because of the structure of the building, the appliance can be transported on its side.

When putting the appliance up, pay attention to the minimum height that is required at the assembly location according to the following table.

	Putting the appliance upright by tilting backwards	Putting the appliance up via its side wall
		
All types	Minimum height: 218.5 cm	Never put the appliance upright by tilting sideways!



- Move the appliance using sack trolley, fork-lift trolley or roll trolley.



3. Removing the packaging

Warning

- The appliance could tip over when unpacking.
- The appliance is very heavy.
- The appliance could tip over when the appliance door is opened.

To protect the subsurface from damage whilst installing:

- Put a carpet or spare piece of linoleum (or other such item) down and attach it to the floor using adhesive tape in front of the planned fitting site.
- Remove the transportation packaging:

Remove the cardboard. Be careful when using the knife so as not to damage the surface of the appliance.

Remove packaging material.

Attach the power cable to the back of the appliance with a piece of adhesive tape.

Remove transportation protection devices and lift appliance off the pallet – appliance is very heavy!

Remove accessories from the outside of the appliance.

Keep adhesive tape which was used to attach the supplied accessories to the appliance. It is used subsequently for attaching the edge protection to the cavity walls (see Section “9. Attaching the edge protectors”).

Carefully open the appliance – risk of tipping over – and remove accessories and installation materials from inside the appliance. Close the door again.

Caution

Only remove the transporting securing devices which protect the slide-in bases and the storage compartments in the appliance after completing the installation as otherwise parts could be damaged.

- Check the appliance for damage.

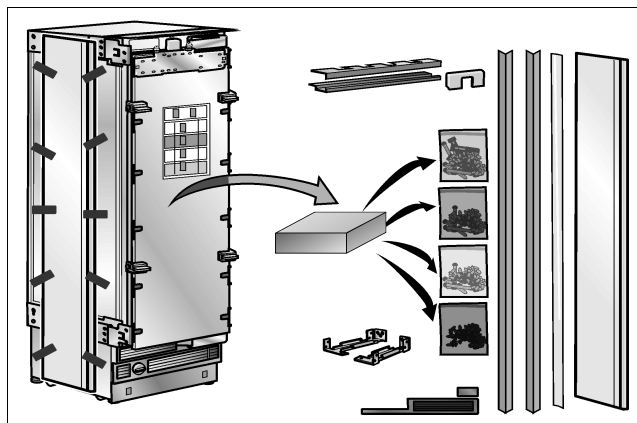
Do not install the appliance if there is visible damage. If there are queries, please contact the dealer.

4. Installation preparation

Unpack installation materials and accessories.

To show which accessories are required at which work stages, the packages are labelled differently.

See also the overview sheet attached to the appliance!



5. Changing over the door hinges

Warning

Before carrying out any work to the door hinges, release the spring pressure – risk of injury!

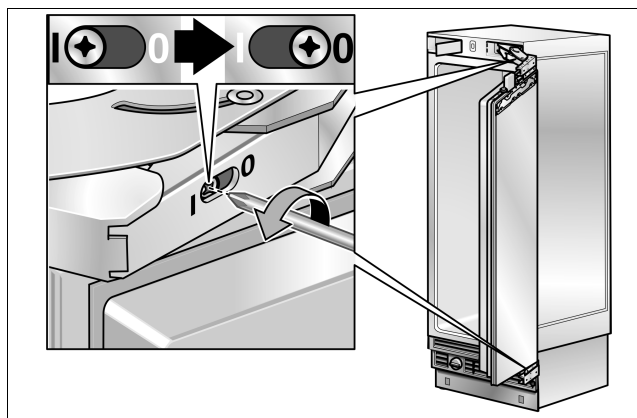
Note:

The door stop cannot be exchanged in the case of freezers with ice and water dispensers.

Depending on the requirements of the assembly location, the door hinges can be swapped to the other side.

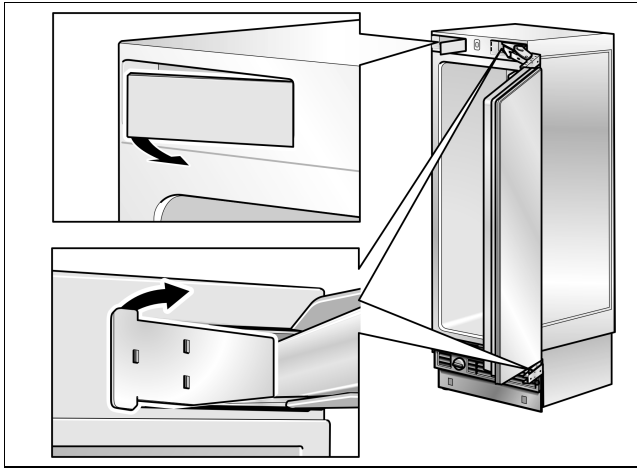
If it is not necessary to swap the hinges, proceed.

Release the spring pressure on the hinge.

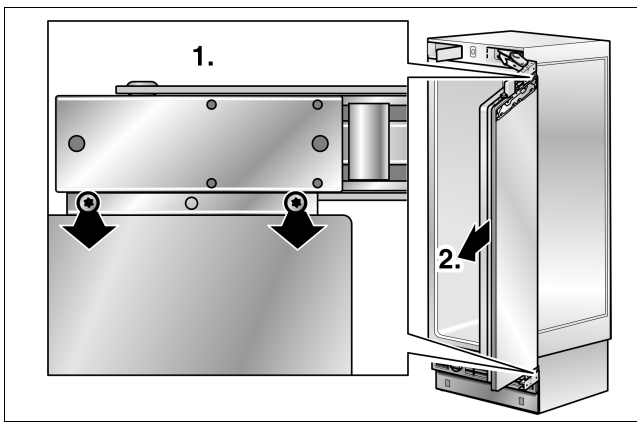


- Release the spring pressure on the hinge. In addition, set the screw from I to 0.

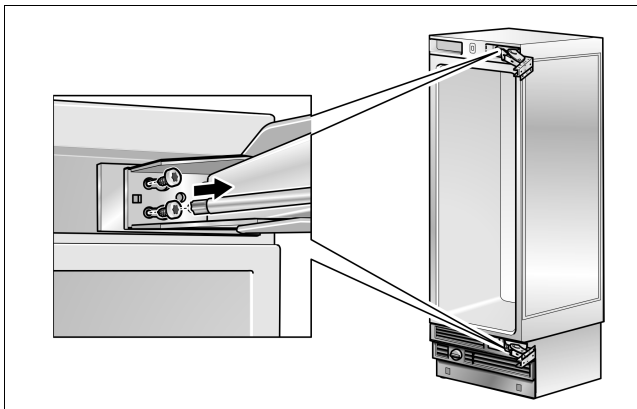
Changing over the door hinges



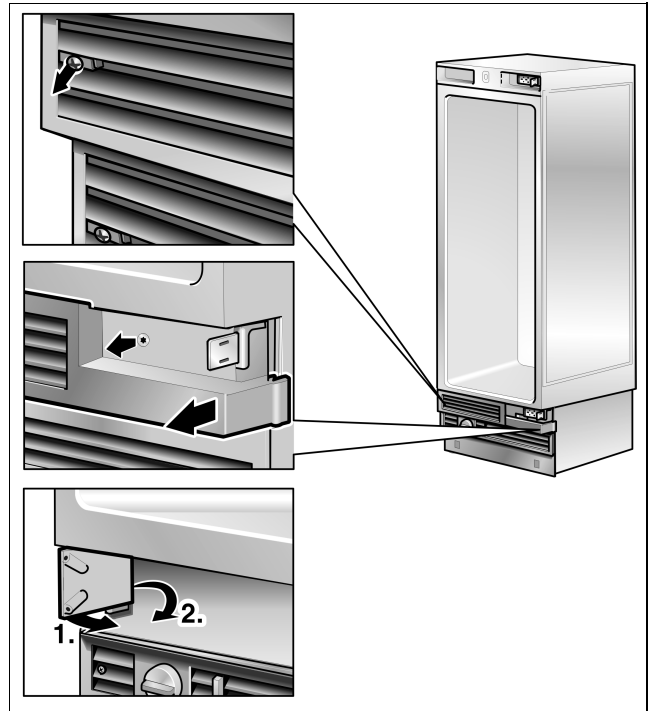
- Remove the hinge covering.



- Unscrew the door.

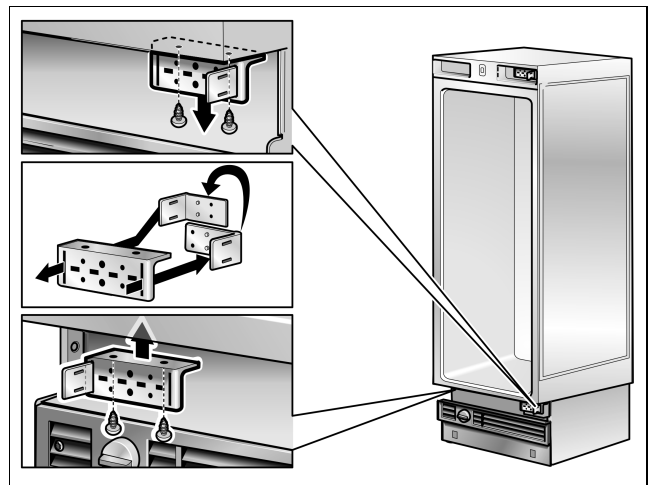


- Remove the hinges.

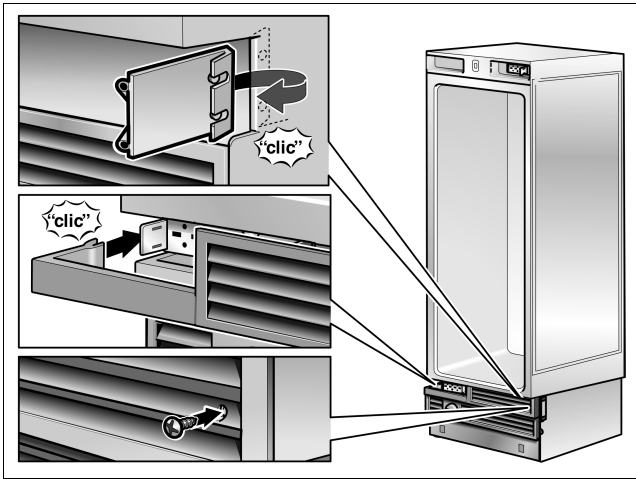


- Remove parts of the ventilation grille.

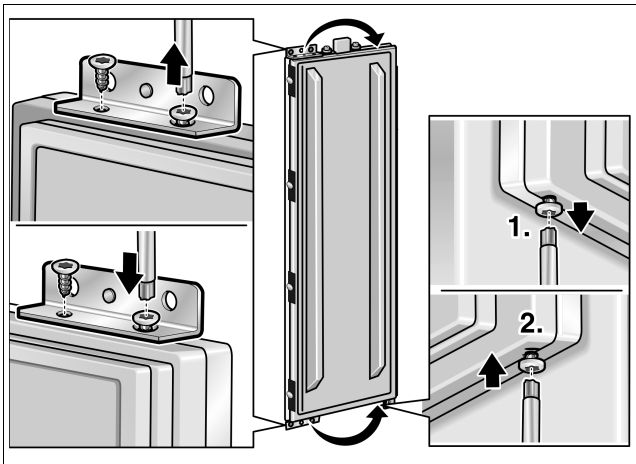
A ventilation grille is enclosed with the appliance for the changed door stop position. In further mounting the appliance, use this part.



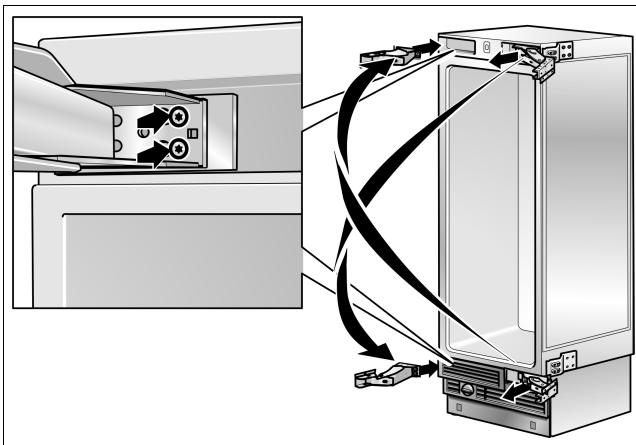
- Swap the hinge angle to the other side.

A

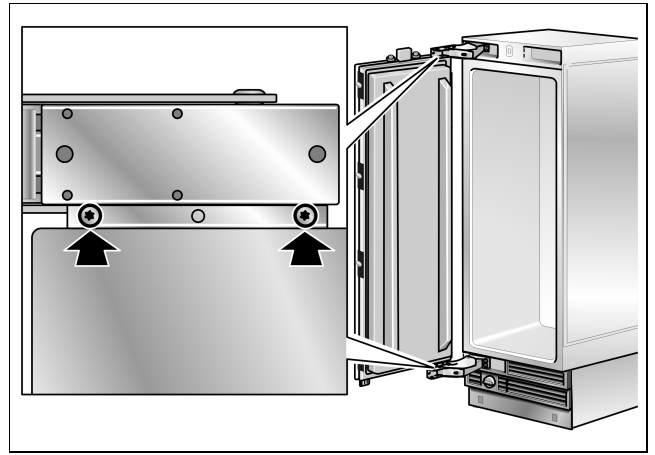
- Fit in the plastic part of the new ventilation grille.
- Mount the new ventilation grille.



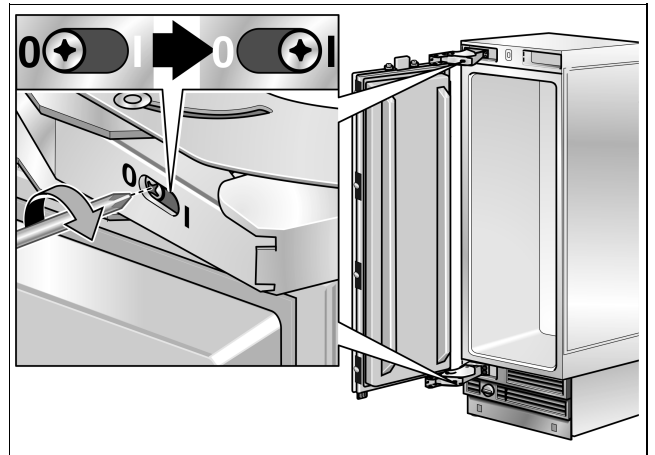
- Swap the fixing parts on the door to the other side.



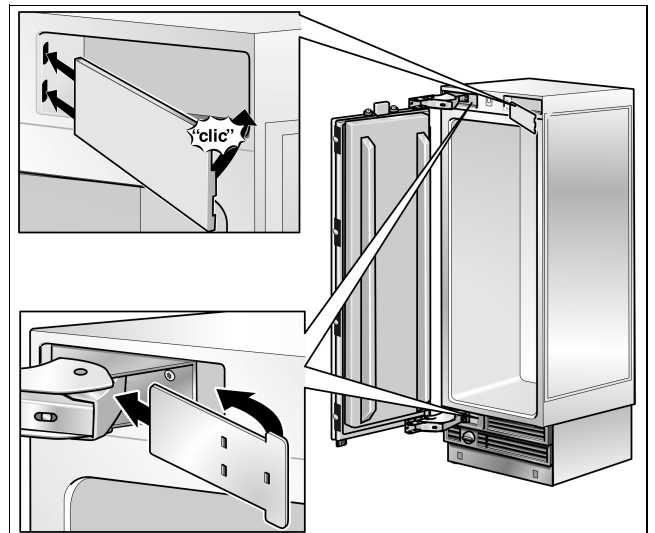
- Attach the hinges to the appliance. Exchange the hinges crosswise!



- Screw the door to the hinges.



- Tighten the screw. In addition, set the screw from 0 to I.



- Attach the hinge covers.

6. Attaching the anti-tipping brackets to the wall

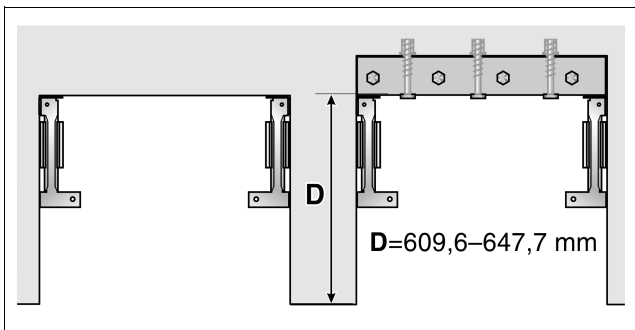
⚠ Warning

Ensure that in the wall area there are no electrical wires or pipes which could be damaged by pipes. Risk of injury or damage!

Information on anti-tipping device:

- For each appliance, two anti-tilt ribs are needed.
- In the case of a Side-by-Side combination, a total of two anti-tilt ribs are used.
- The set supplied, contains fastening screws for various subsurfaces. Select the fastening screws corresponding to the local conditions.
- If it is not possible to securely fasten the anti-tilt ribs and consequently, not possible to securely fasten the appliance using the fastening screws supplied, select another suitable method for securely fastening the anti-tilt ribs.
- In the case of some fitted shapes, it may be necessary to screw in at an angle the wood screws used to fasten the anti-tilt ribs to the rear wall.
- Determine the fastening points of the anti-tilt ribs.

Determine the actual dimensions according to the section “Dimensions of the installation”.



- If a installation niche is deeper than the appliance, lay a strong wooden plank behind the anti-tilt ribs and screw tightly to the subsurface or the wall.

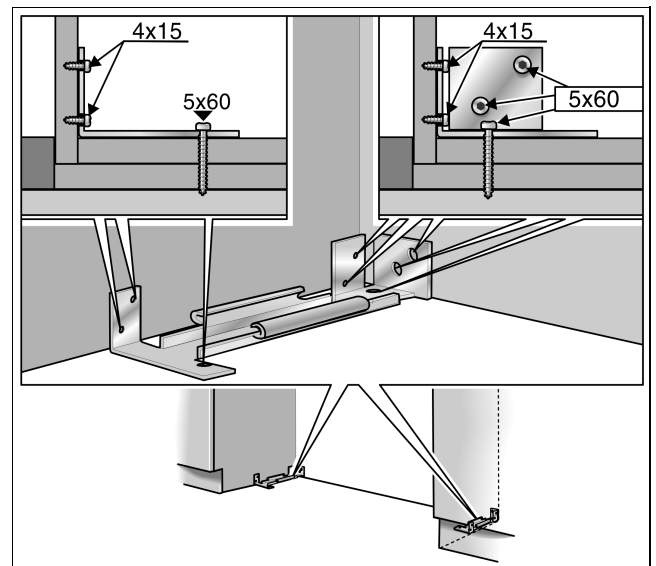
The length of the plank should correspond to the width of the installation niche!

Important note:

As far as possible, always screw the wooden plank to the rear wall of the niche.

Subsurface wooden floors

The wood screws (5 x 60 mm and 4 x 15 mm) which are supplied should be used for wooden floors.



- Drilling guide holes:
 - 3 mm for the wood screws (5 x 60 mm)
 - 2 mm for the wood screws (4 x 15 mm)
- Ensure that the screws 5 x 60 at least take a hold (19 mm) in the solid subsurface.
- Tightly screw the anti-tilt ribs. Re-examine to make sure that the screws are firmly tightened.

Subsurface concrete

⚠ Warning

When installing or working with floor anchors always use protective glasses and other protective equipment or protective clothing – risk of injury!

Floor anchors are not suitable for use in connection with lightweight construction masonry, breeze blocks or tiles.

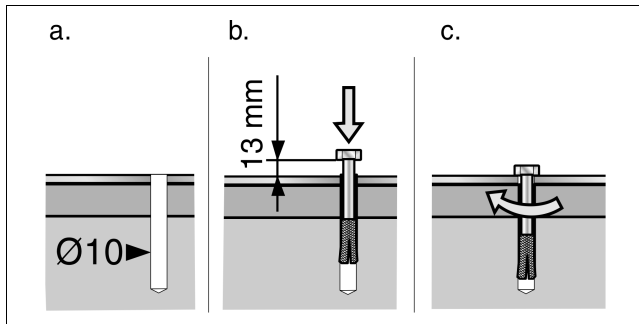
Never use floor anchors in fresh concrete which has not hardened.

In drilling holes for these floor anchors, do not use core drills.

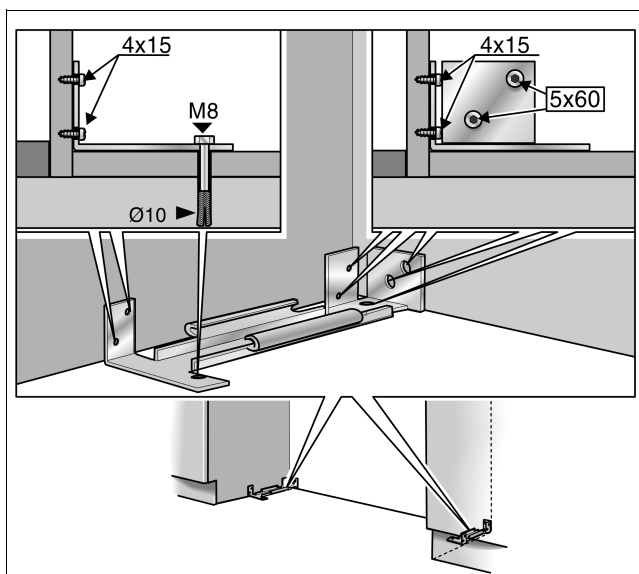
Use a floor anchor M8 and a screw M8.

Additionally use the (5 x 60 mm and 4 x 15 mm) woodscrews supplied.

- Drill a hole with a 10 mm diameter having a depth a little more than the raising depth. Use the drill supplied.
- Clean the hole or drill a little deeper.



- By hand, screw into the dowel until you can feel resistance.
- Strike the dowel and screw into the hole until the head of the screw has a 13 mm distance to the anti-tilt securing device.
- Screw tightly.



- Additionally use the supplied wood screws (if the subsurface allows).

7. Alternative anti-tipping device

Important note:

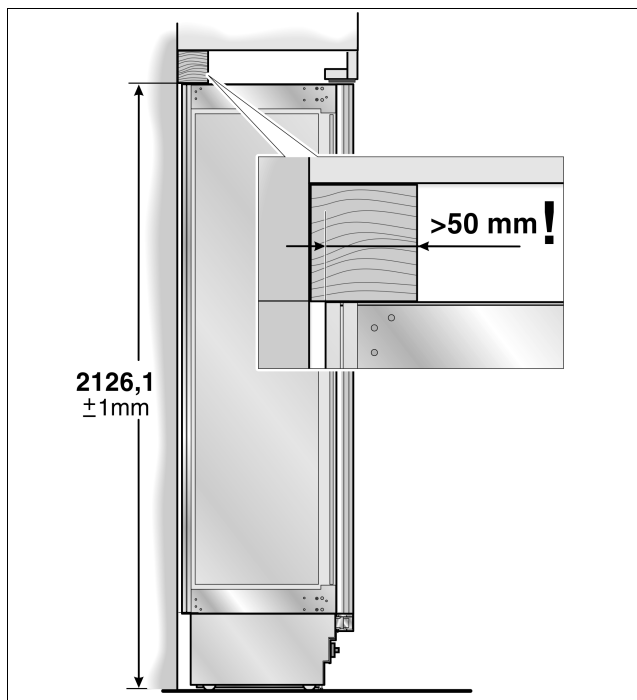
If the anti-tilt ribs cannot be fastened securely, a wooden beam can be used above the appliance as an alternative anti-tilt mechanism. Care should be taken that there is not a gap between the appliance and the wooden beam. As far as possible, always screw the wooden plank to the rear wall of the niche.

- Cut the wooden plank to the required length (cross section min. 8 x 10 cm).

The length should correspond to the width of the installation niche!

Note:

- If the installation niche is deeper than the appliance, select a stronger beam or use two, one behind the other.
- The plank must overlap the appliance by at least 50 mm.



- Mark the installation height (underside edge of the plank) on the rear wall of the niche.
- Select the screws according to the thickness of the wooden plank: Length min. 2.5 x wood thickness, diameter 12 or 14 mm.

Note:

Select the number of screws corresponding to the niche width so that you ensure that the plank can be securely mounted.

According to the subsurface:

- Look for the supports on the rear wall of the niche and mark the drill holes on the plank corresponding to the position of the support.
- or
- Fasten suitable dowel into the rear wall.
 - Pre-drill.
 - Screw the plank onto the rear wall of the niche.

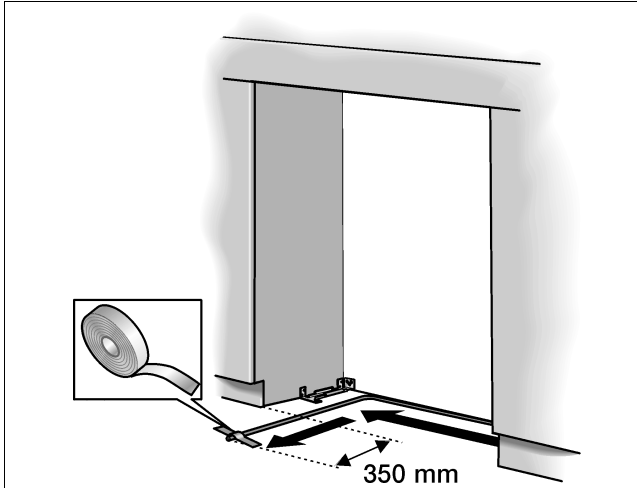
8. Preparing the water connection

(only for appliances which require a water connection)

Warning

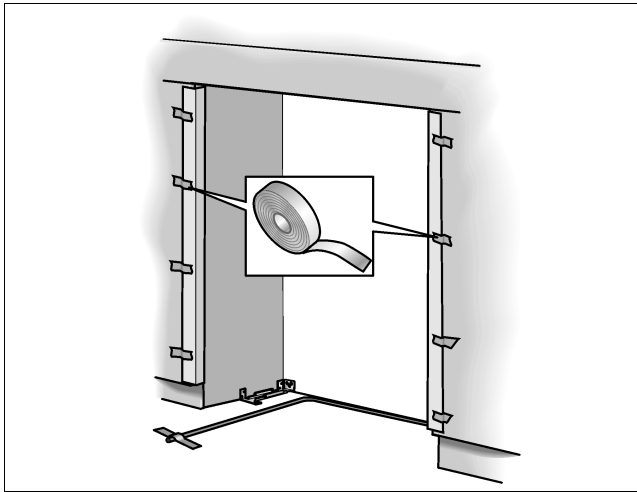
Turn off the main water tap in order to avoid damage from escaping water.

- Lay the connection pipe. Always keep to the given installed area in order to avoid damaging the connection pipe when sliding the appliance in later.



- Fix the connection pipe to the floor with adhesive tape.

9. Attaching the edge protectors

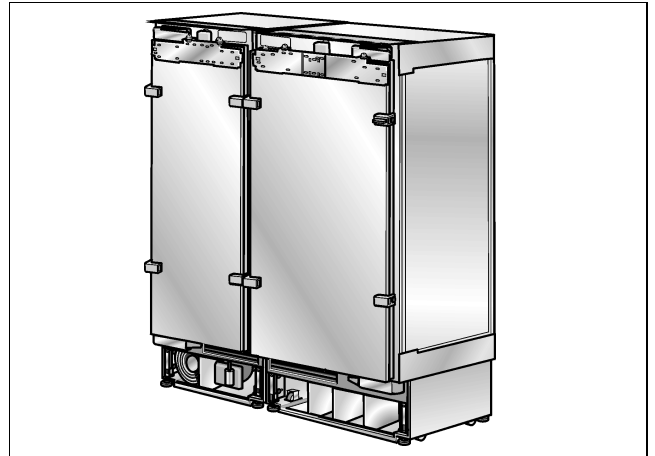


In order to protect the edges of the installation niche, attach the supplied protection ribs with adhesive tape.

10. Side-by-Side set up

If a Side-by-Side set up of two appliances is envisaged, connect the two appliances to one another now.

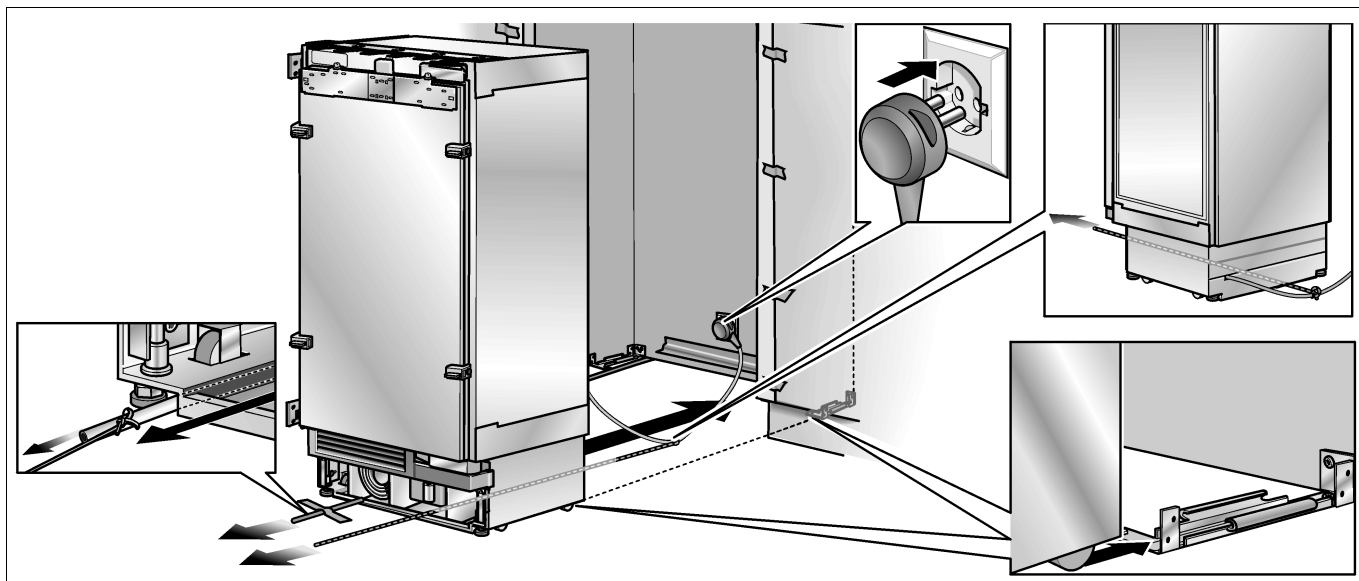
A



Detailed information on installation can be found in the separate installation instructions for the installation accessories for Side-by-Side installation.

The following work steps must be performed on two interconnected appliances.

11. Sliding the appliance into the installation niche



⚠ Warning

Be careful when sliding the appliance into the installation niche. Take care not to damage the water pipe or power cable that you have fixed to the floor.

Note:

If the floor or appliance is skew in relation to the installation niche, the height-adjustable wheels should be correspondingly adjusted before sliding the appliance into the niche.

- Plug the mains plug into the socket.

Note:

A separate plug is necessary for each appliance in the case of Side-by-Side set up!

- Protect the mains lead from getting wedged under or behind the appliance.

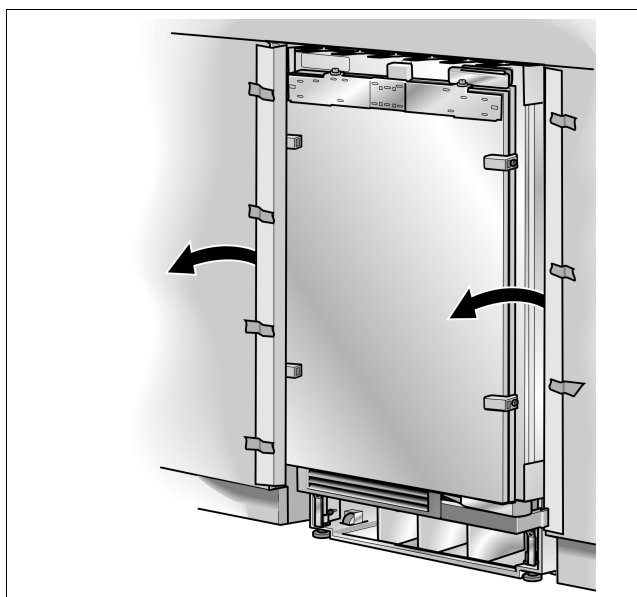
Recommended procedure:

Tie a rope onto the middle of the mains lead and slide the appliance forwards. Pull the cable onto the rope when sliding the appliance into the niche.

or

Fasten the mains lead onto the floor with adhesive tape, in the middle behind the appliance approx. 38 cm from the rear of the niche.

- Slide the appliance carefully into the niche until the height-adjustable wheels grip into the anti-tilt mechanism.

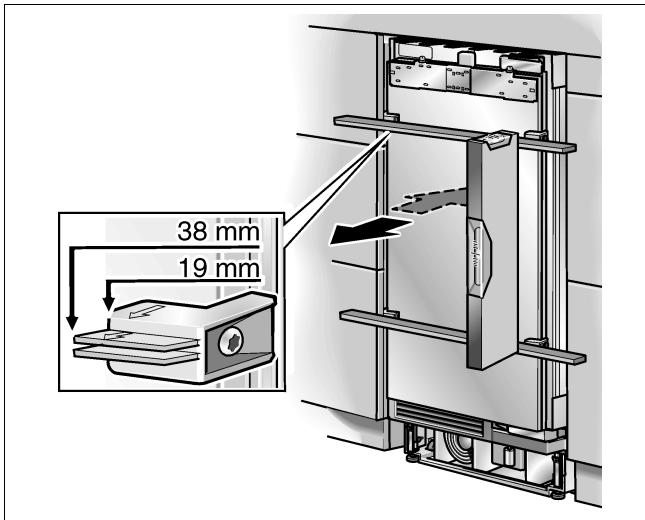


- Remove the edge protector of the installation niche.

12. Adjusting the appliance in the niche

⚠ Caution!

Never use a power-driven screwdriver for setting the height of the appliance.
Risk of damage to the appliance!



- Adjust the appliance to the existing furniture.

Keep the straight edge on the door, above the positioning supports.

The positioning supports are set out for the following overall strengths of the furniture doors to be mounted.

- 19 mm
- 38 mm

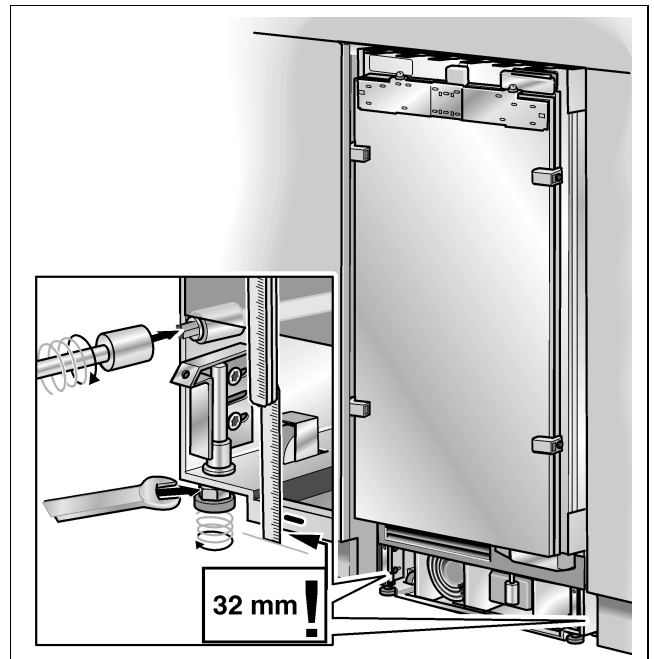
Re-examine the actual thickness of the doors to be mounted in order where necessary, to be able to compensate possible digressions.

The height-adjustable feet on the front and rear can all be adjusted from the front.

Front: with a fixed spanner SW 13 mm.

Rear: with a 8 mm socket spanner with flexible shaft.

There is a mark on the base of the appliance which serves as a standard measurement for setting the height. When setting the height, raise the mark to 32 mm above the ground.



- Screw the height-adjustable screws as far downwards as possible until the marking on the base has reached the given height (32 mm).

Note:

This dimension is very important for the subsequent adjustment of the cabinet frontage.

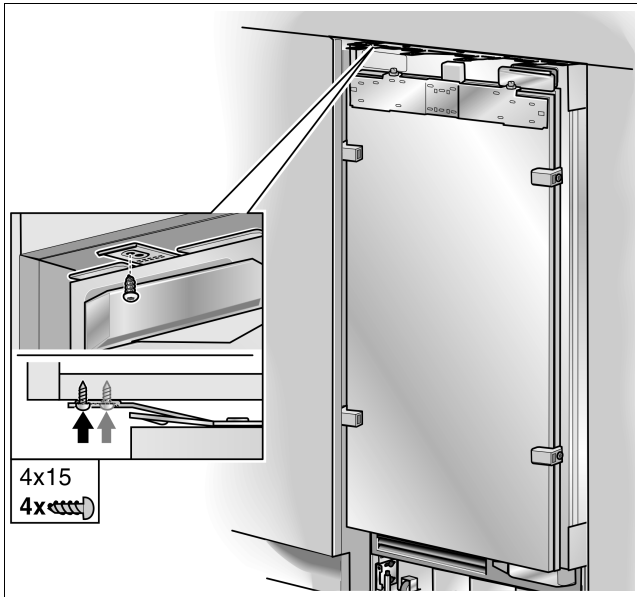
- Adjust the front of the appliance with the spirit level.

Note:

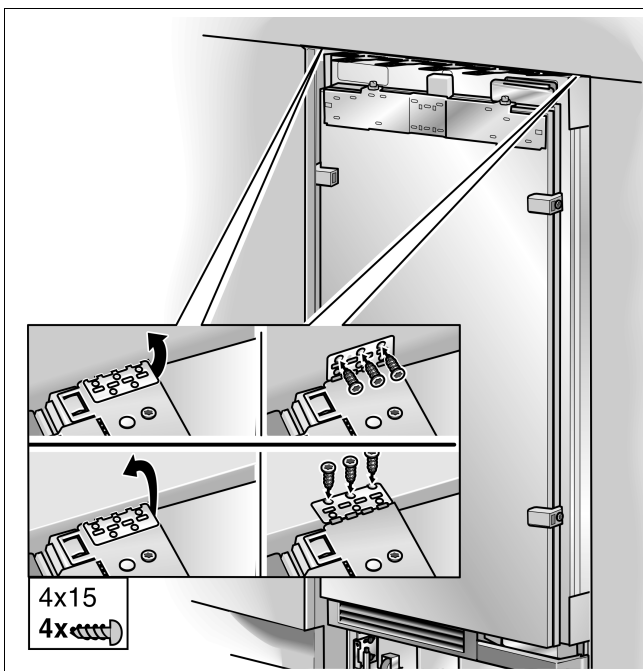
- Do not tip the appliance in the niche! When screwing down the height-adjustable feet, proceed step by step. Lower by alternating left to right.
- The rear feet can be set more easily if the appliance is not loaded at the rear.
- When using a wooden plank as an alternative anti-tilt mechanism as in point 7. of these mounting instructions, turn the appliance as far as it will go against the wooden plank. Do not bend against the wooden plank.

13. Fastening the appliance to the niche ceiling

B



- Screw on the front bars of the fastening sheets (above) with the upper cabinets.

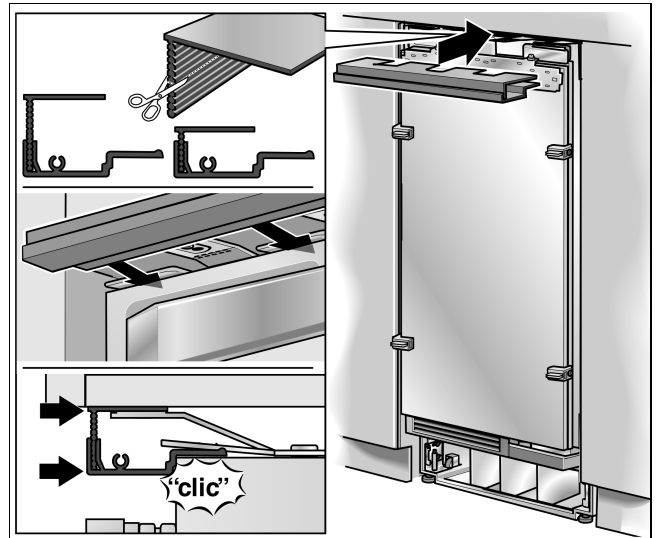


- Fasten the lateral bars of the fastening sheets (above) in each case, according to the installation conditions.

Note:

If there is no or only a small crack available, the lateral bars do not have to be fixed.

- If there is a large crack available above the appliance, integrate a wooden plank above the appliance and pay attention that the crack is completely filled

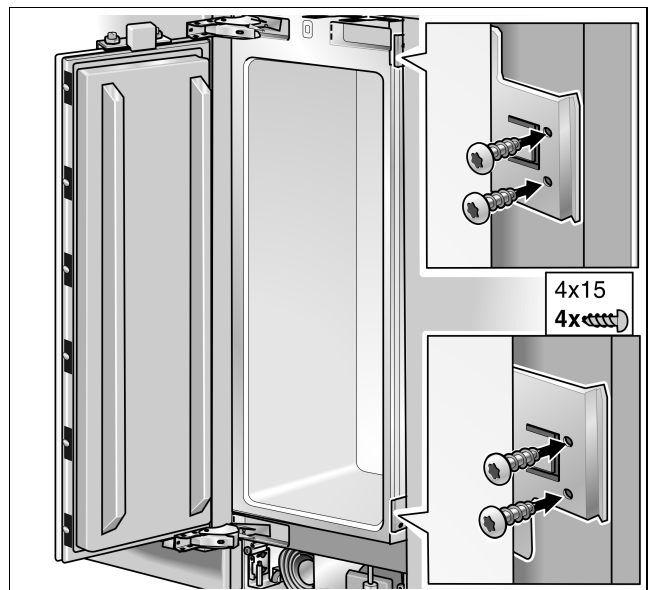


- Attach the covering ribs onto the fastening sheets (above), cut the connection ribs to the desired height!

Note:

In the case of a Side-by-Side installation connect both cover rails with the bolt included in the installation accessories for Side-by-Side installation.

14. Fastening the appliance to the side wall of the installation niche



- Screw on the bars of the fastening sheets (lateral) with the cabinet parts located next to them.

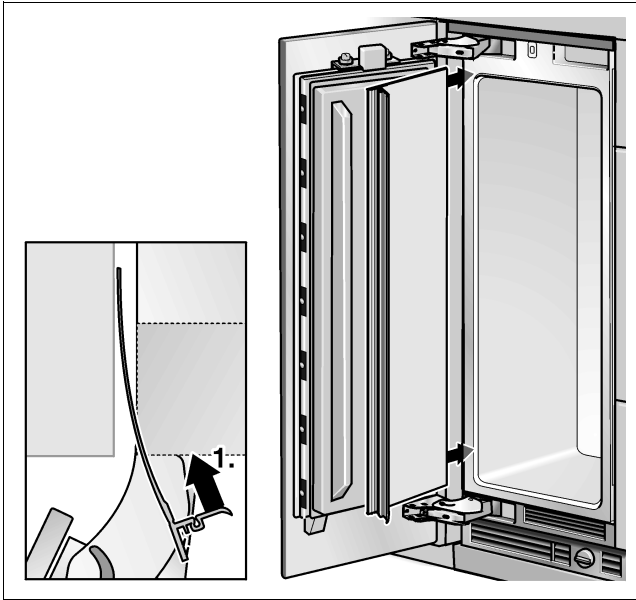
Note:

In the case of a Side-by-Side installation this installation step is not possible. These parts have been removed.

15. Checking that the finger guard moves easily

It is now essential to check that the finger guard moves easily. At a later time any required corrections will be more difficult.

- Push the finger guard on the hinge side into the gap between the appliance and cavity wall.



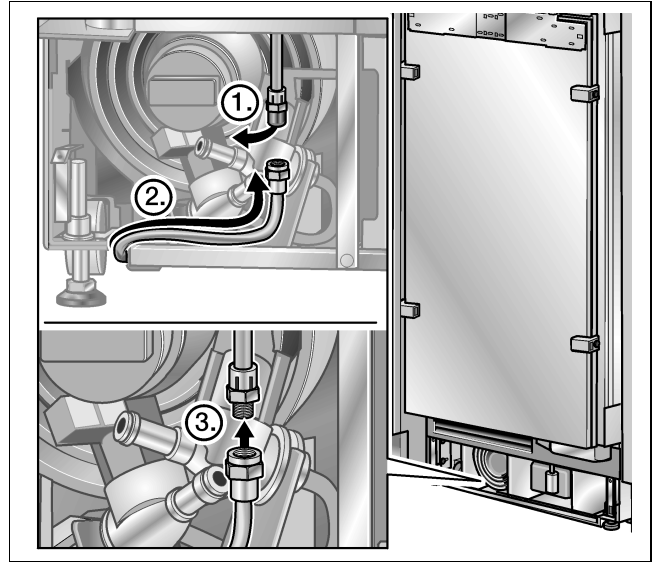
It must be possible to push in and pull out the finger guard easily!

16. Connecting the appliance to the water supply

⚠ Warning

Do not kink the hosepipe when bending, otherwise there is the risk of water damage and leakage.

A $\frac{3}{4}$ " flexible hose is supplied for connection to a domestic mains supply. Care should be taken that the sealing elements supplied are fitted to the appliance and the shut-off valve!



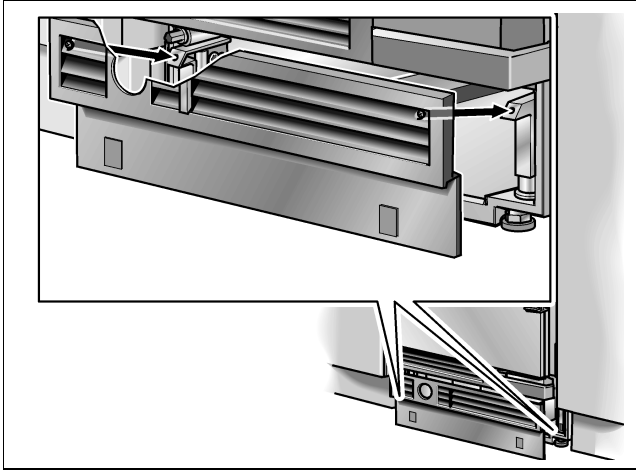
- Remove the plugs from the appliance connection (1.).
- Lay the water hose such that it ends at the appliance connection (2.).
- Slide the union nut and the sealing element onto the water hose.
- Attach the water hose to the appliance connection and screw on the union nut (3.). Screw tightly, using manual force.
- Screw the union nut tightly using the fixed spanner. Do not over tighten!
- Turn on the shut-off valve and the mains water tap. Check the connections at the shut-off valve and the appliance connection for leaks.

17. Fastening the plinth strip

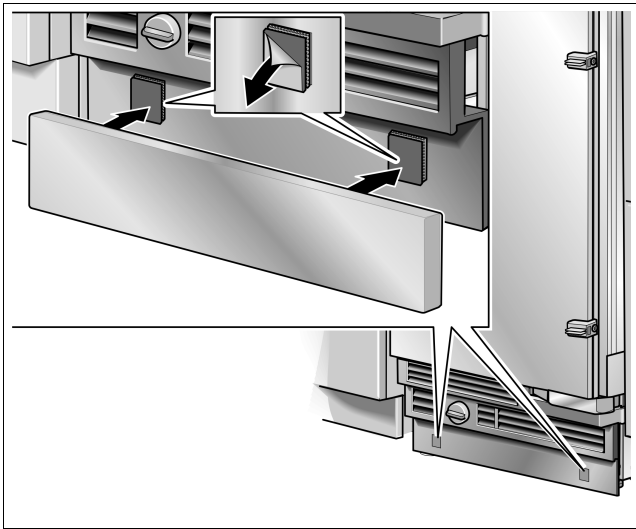
⚠ Caution!

From the floor upwards, the maximum height of the base strip is 10.1 cm. Never cover the ventilation slits with the base panel. Risk of damage to the appliance.

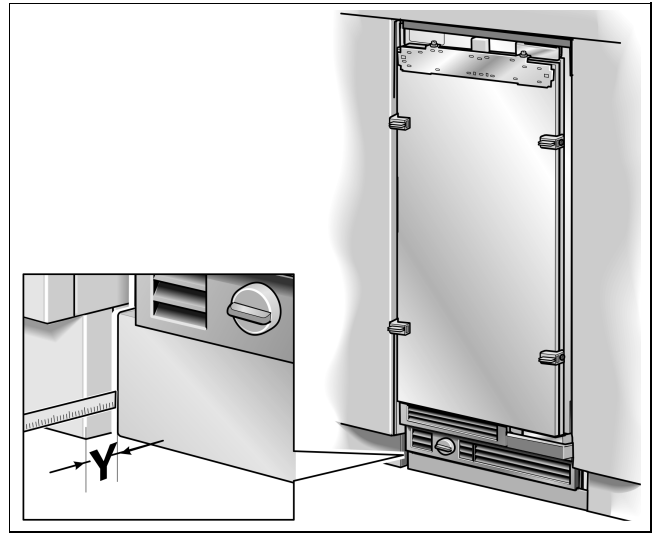
- Where necessary, cut the base strip to the required length.



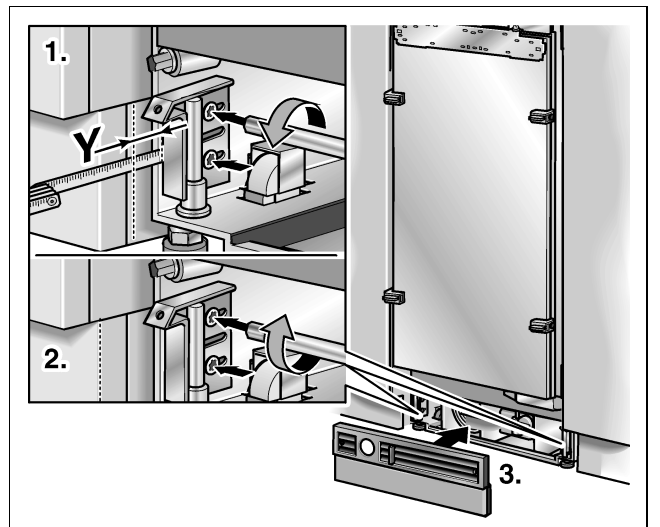
- Attach base panel to the appliance.



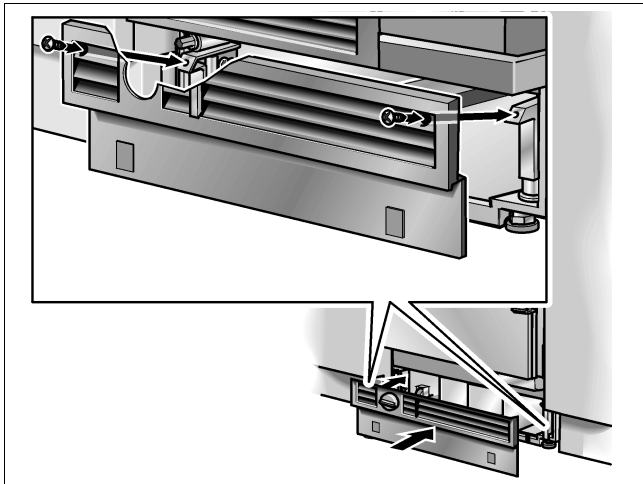
- Take the protective film off from the adhesive pads on the Velcro strip.
- Put the base strip onto the base panelling and push firmly.



- Measure the difference in depth **Y** between the base paneling and the base strip of the adjacent lower cabinets.
- Remove the base paneling again.
- Loosen the fastening joint of the base paneling.



- Take out/slide in the joint around the measured depth **Y**.
- Screw the joint again tightly.



- Fasten the base panelling.

Note:

If necessary, the base strip can also be screwed to the base panelling. Pre-drilled screw holes are located in the base panelling in the area of the Velcro strip.

18. Switching the appliance on

The appliance should now be switched on for the first time in order to ensure that the following installation stages can be carried out accurately and that the kitchen units have the correct appearance.

- Open the appliance door.
- Actuate the appliance's on/off button.

Only for appliances with a water connection:

To avoid the risk of damage from water leaking out if the water pipe has been damaged, keep the shut-off tap closed.

19. Preparing the furniture doors

Important note:

When working on the furniture doors, care should be taken to the following:

- Always carry out screwing jobs on the most stable part of the furniture door. Never screw into fillings or similar areas.
- Always select screws with a length smaller than the thickness of the cabinet front.
- Protect the surfaces of the furniture doors during installation against damage.

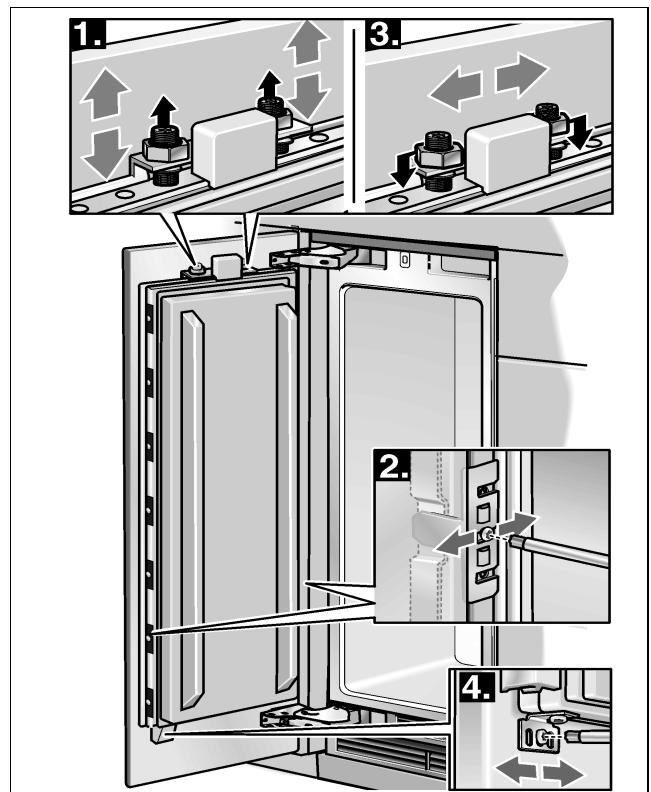
The overall weight of the furniture door including the handle should not exceed the following values:

Appliance width	Overall width of the furniture door
45.1 cm	20 kg (8,5 kg *)
60.3 cm	25 kg (14.5 kg *)
75.6 cm	29 kg

* Wine storage cabinet

Aligning the furniture door

The furniture doors are attached to the appliance with the fastening elements located on the appliance. By using these fastening elements, the furniture door can be adjusted accurately and securely attached to the appliance.



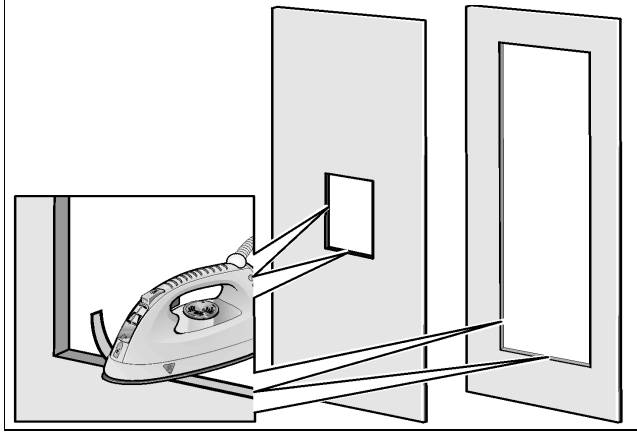
Function of the various parts:

1. Threaded rod on the adjusting rib:
for adjusting the furniture door vertically.
2. Fixing bracket:
for adjusting the cabinet frontage in terms of depth.
3. Nuts on the threaded rod:
for securing the cabinet front in order to prevent lateral sliding.
4. Lower fixing bracket:
for securing the cabinet front in order to prevent lateral sliding.



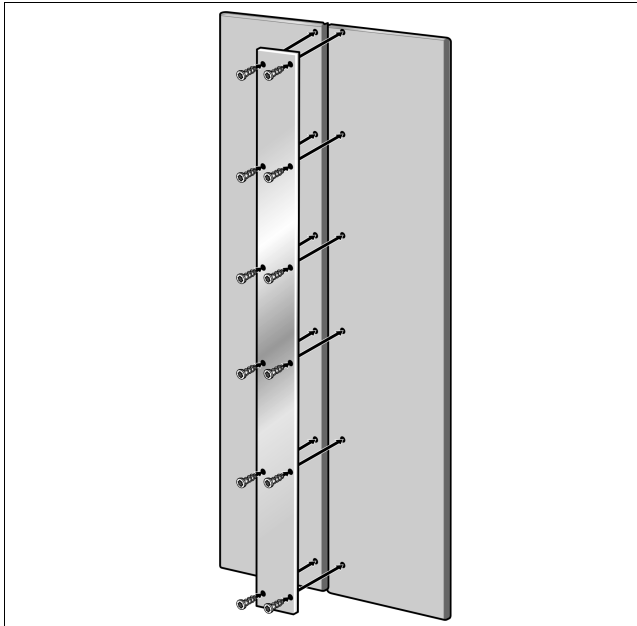
Important information for furniture doors with cutout (appliances with ice and water dispenser, wine storage cabinets):

The cut edges of the door cutout must be protected before humidity penetrates. To do this, use the means suitable for the material and the shape of the furniture door (e.g. edge veneer, edge sealant).



Connecting element for furniture doors

Instead of one large door, two furniture doors can be mounted next to each other in the case of appliances with a width of 76 and 91 cm. These furniture doors are then connected using a metal strip on the rear.



This metal strip is available from your dealer as an installation accessory (Connection element for furniture doors). Further information concerning this can be found in the section "Tools and accessories which".

When attaching the metal strip to the furniture doors, watch out for the maximum possible length of the screws and the position of the drill holes. Always carry out screwing jobs on the most stable part of the furniture door. Never screw into fillings or similar areas.

Note:

If only one door is to be mounted to an appliance with a width of 76 and 91 cm, attach the supplied sandwich plate to the adjusting rib and fix into position.

20. Loading the appliance door

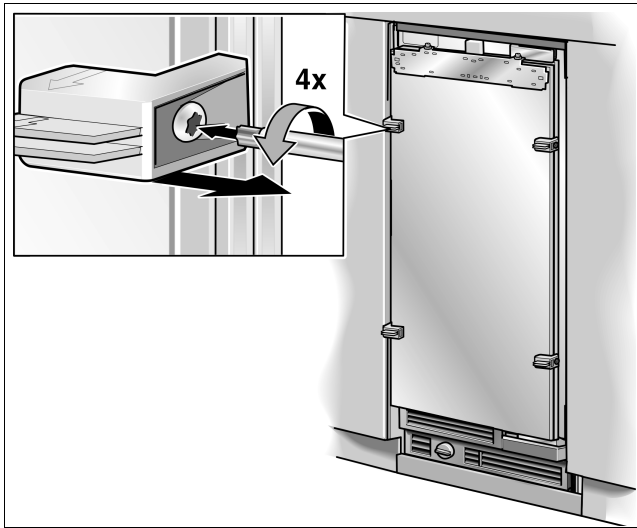
When attaching the furniture doors it is recommended to load the storage sections in the door with weights in order to ensure that the when adjusting crack dimensions turn out to be as precise as possible.

Loading recommendations:

Appliance width	Loading of the furniture door
45.1 cm	10 kg
60.3 cm	15 kg
75.6 cm	20 kg

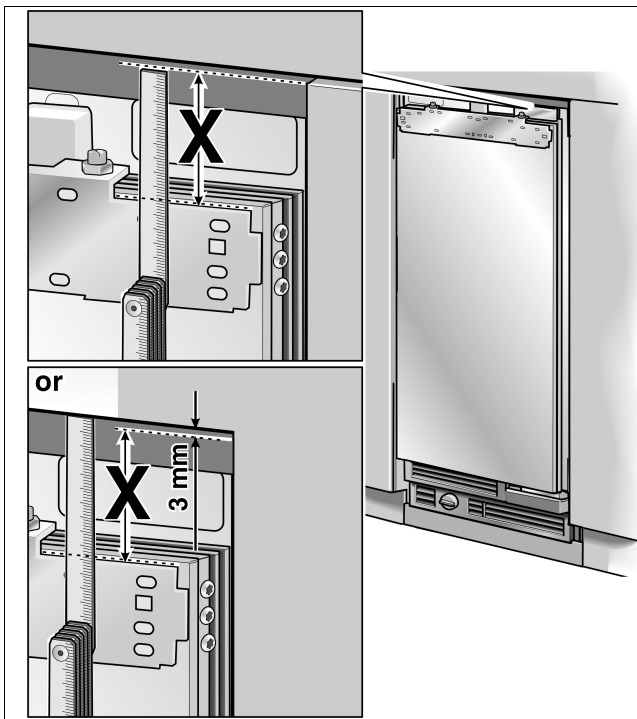
21. Fastening the adjusting rib to the furniture door

The adjusting rib is the most important tool for adjusting the cabinet frontage.

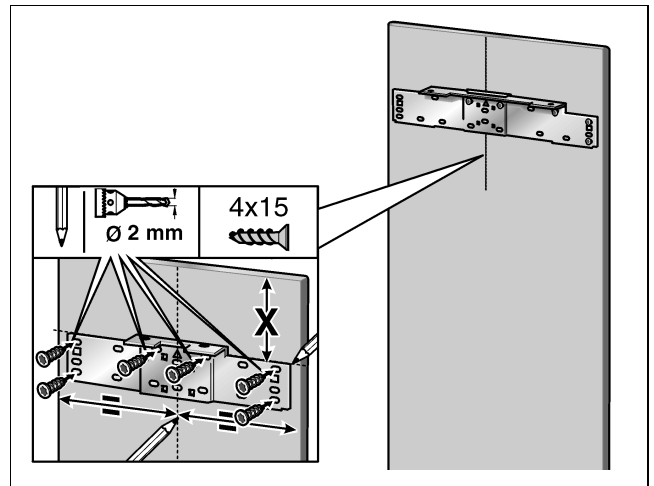


- Unscrew the positioning aids from the appliance door.

The positioning aids will still be needed in the course of fitting.



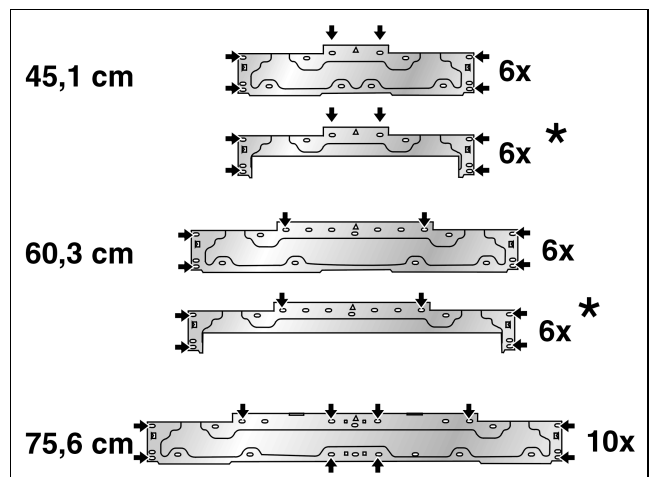
- Measure the distance **X** between the adjusting rib and the upper edges of the neighbouring furniture doors.
- Loosen the two nuts and remove the adjusting rib.



- Mark this value **X** on the rear side of the furniture door.
- Measure the middle of the door and mark it.
- Rest the adjusting rib on the furniture door and align to the markings. Mark the drill holes.
- Pre-drill the holes.
- Tightly screw the adjusting rib.

Note:

- Attach the adjusting rib with at least 6 screws on the furniture door. One screw should be screwed in under each threaded rod.



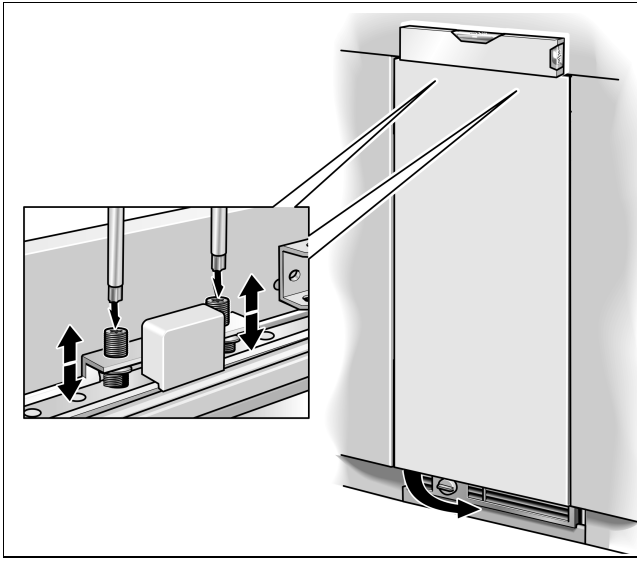
* Wine storage cabinet

- The adjusting rib has a various holes for different furniture door design variations. Always carry out screwing jobs on the most stable part of the furniture door.

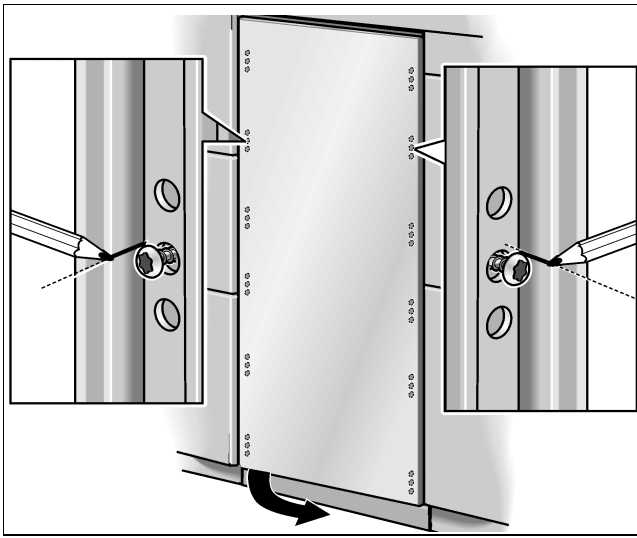
22. Hanging and aligning the furniture door

The height of the cabinet frontage is set using the threaded rods.

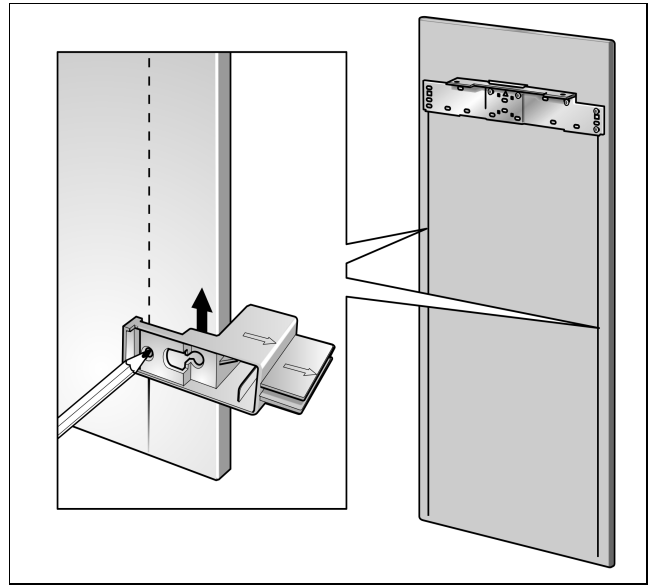
- Hang the furniture door on the threaded rods.



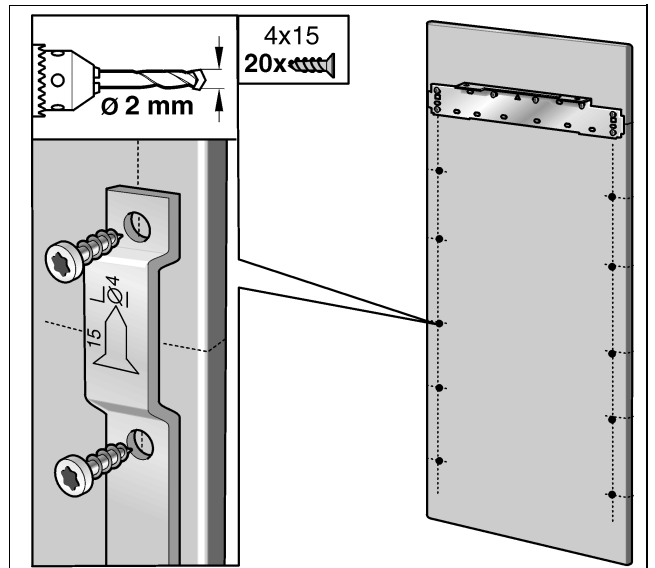
- Adjust the furniture door using the threaded rods (Torx screwdriver).



- Transfer the middle drilled holes on the outside edge of the appliance door to the furniture door and mark them.
- Remove furniture door.



- On both lengths of the furniture door, draw a parallel line with the help of the positioning aid.
- Lengthen the drill hole markings to the parallel lines using a try square.
- Position fixing rail and mark holes.
- Pre-drill the holes.

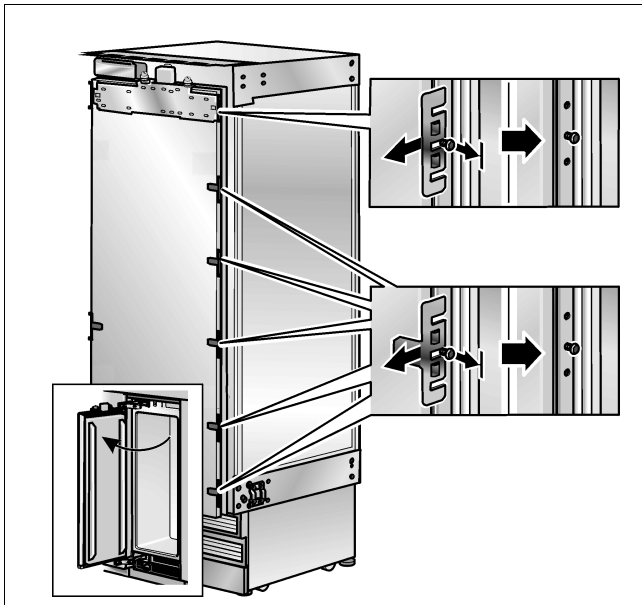


- Screw on the fixing ribs.

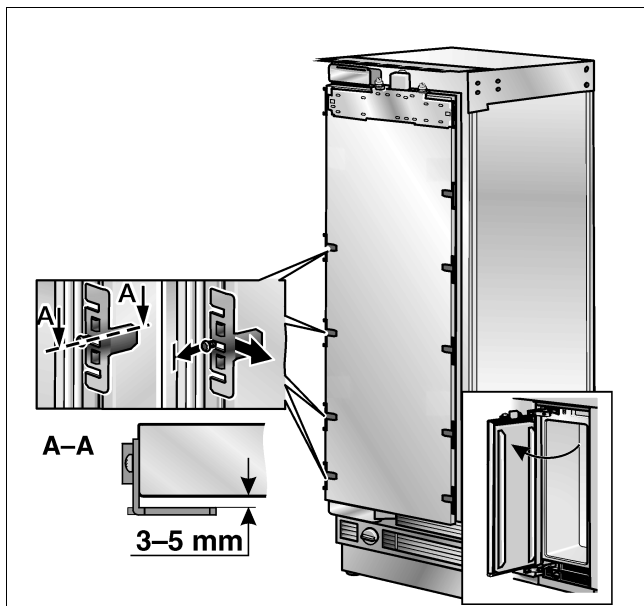
23. Mounting the furniture door

Important note:

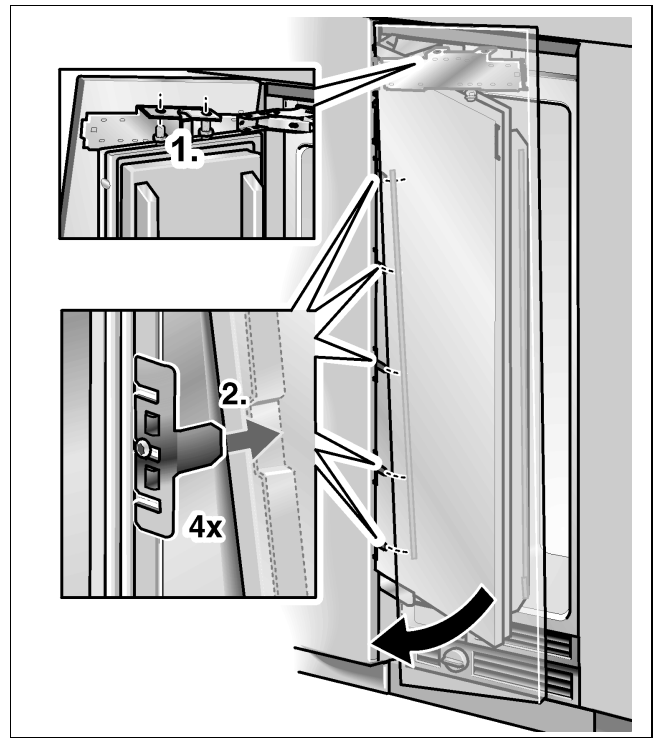
Now attach the door handles which should have been screwed from behind!



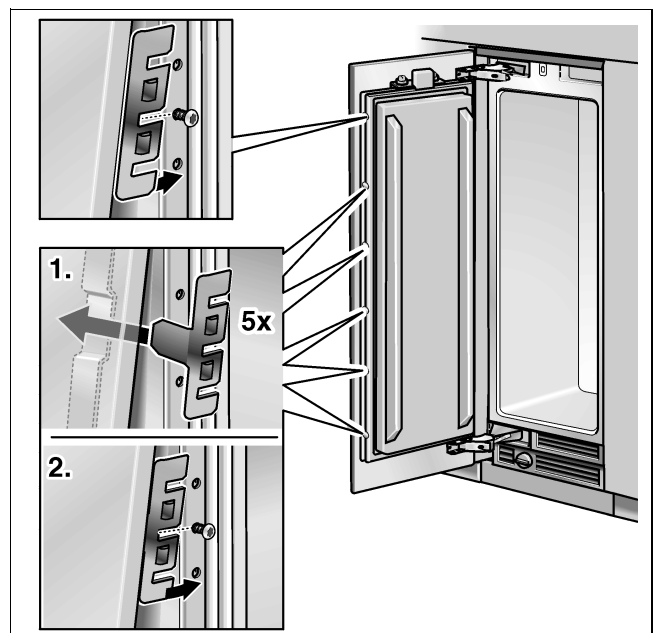
- Remove fixing bracket on the handle side of the appliance door. To do this, loosen the fastening screws only.



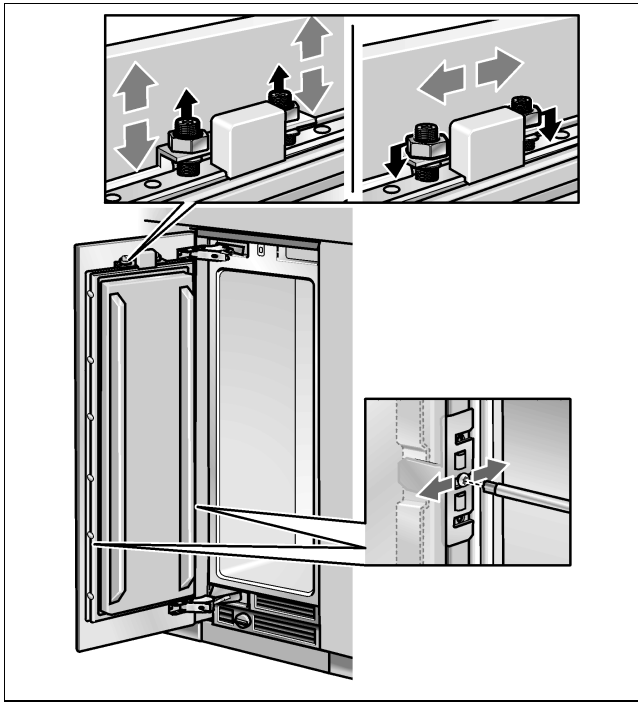
- Loosen fixing bracket on the hinge side and pull slightly off the appliance door. To do this, loosen the fastening screws only.
- Open the appliance door.
- Hang the furniture door on the threaded rods.



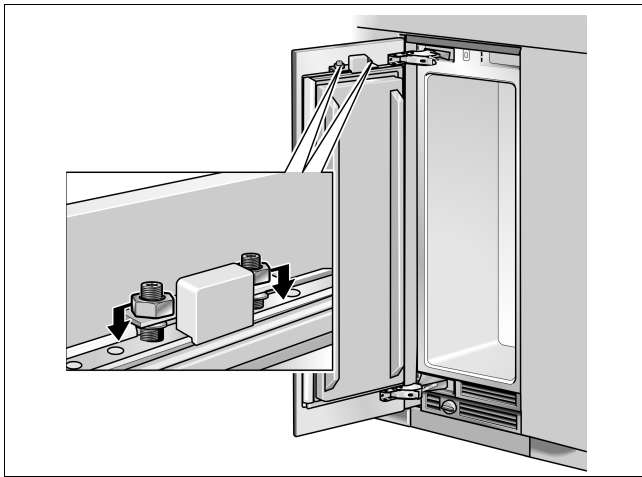
- Raise furniture door slightly and push the fixing rail down over the fixing brackets on the appliance door.



- Insert the fixing brackets that you removed into the fixing ribs and push over the fastening screws.
- Screw the nuts onto the threaded bolts of the adjusting rail. Do not screw tightly!

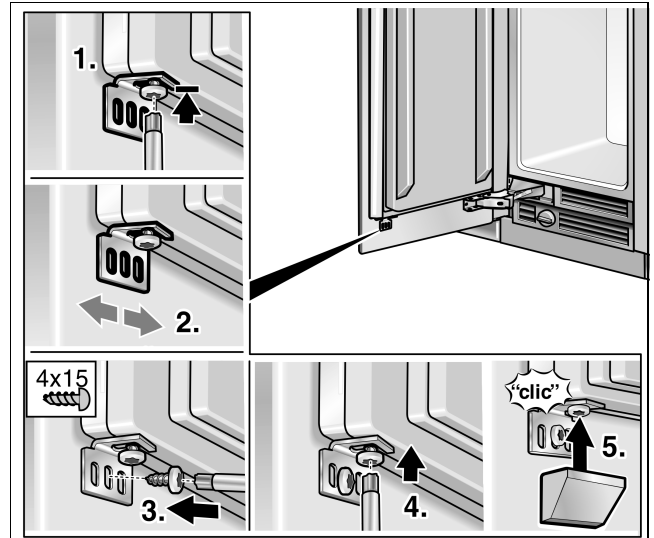


- Adjust the furniture door using the threaded rods (Torx screwdriver). Keep checking the size of the gap.
- Close the door and check that the cabinet frontage is aligned with the adjacent fronts. Correct if necessary.
- Tighten the screws on the fixing brackets to fix the depth adjustment.
- Close the door and check the lateral adjustment. Correct the adjustment by lightly tapping on the edge of the open door by hand.



- Tighten the nuts on the adjusting rib. This way, the lateral adjustment of the door is fixed.

24. Screwing on the lower fixing brackets

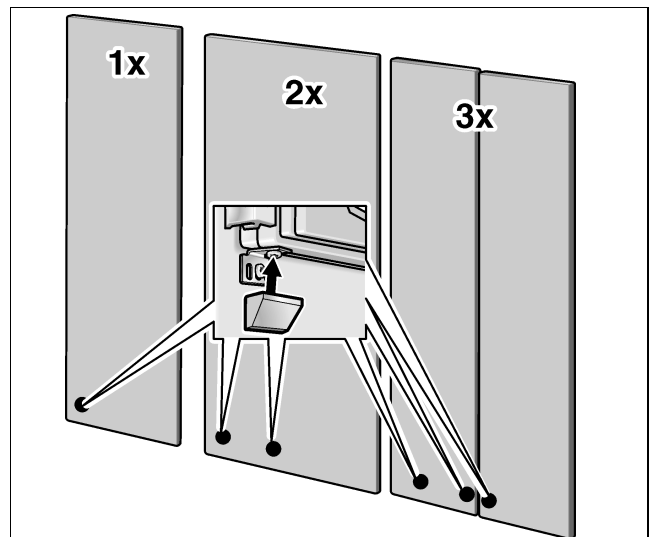


- Screw on lower bracket. Pre-drill holes into the furniture door!

The lateral adjustment of the door is fixed through the lower fixing brackets.

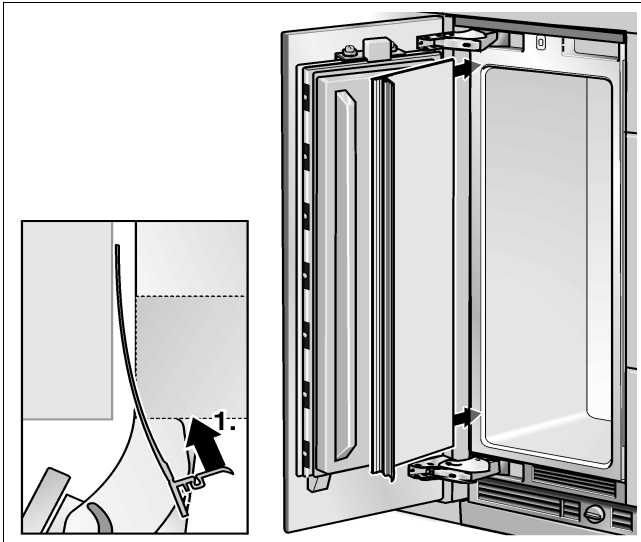
- Loosen screw.
- Check the lateral position of the door.
- Screw in the wood screws.
- Tighten the screws.
- Put covers over the fixing angles.

Note:

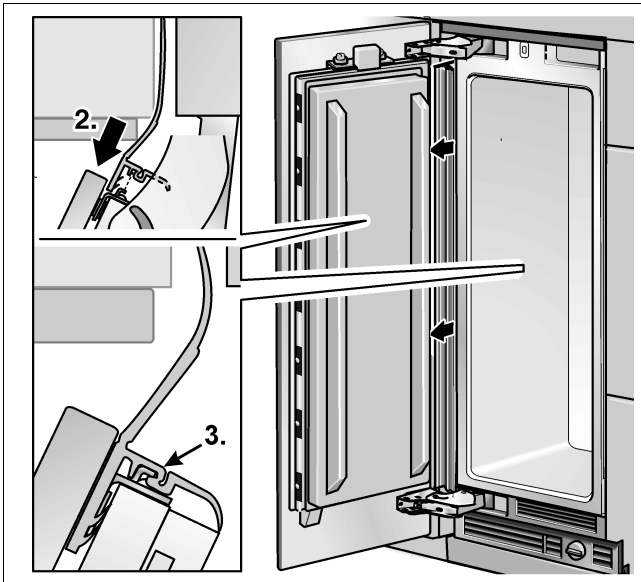


The number of lower fixing brackets depends on the width and design of the furniture door.

25. Fastening the finger protector

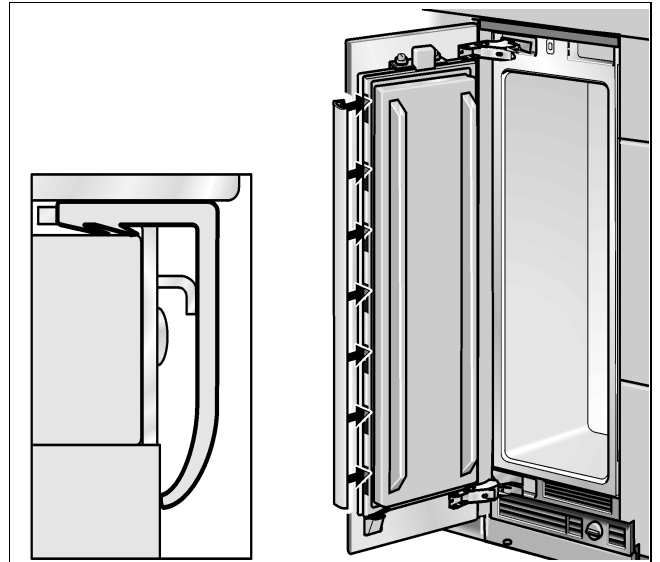


- Push the finger protector into the gap between the appliance and the niche wall (1.).

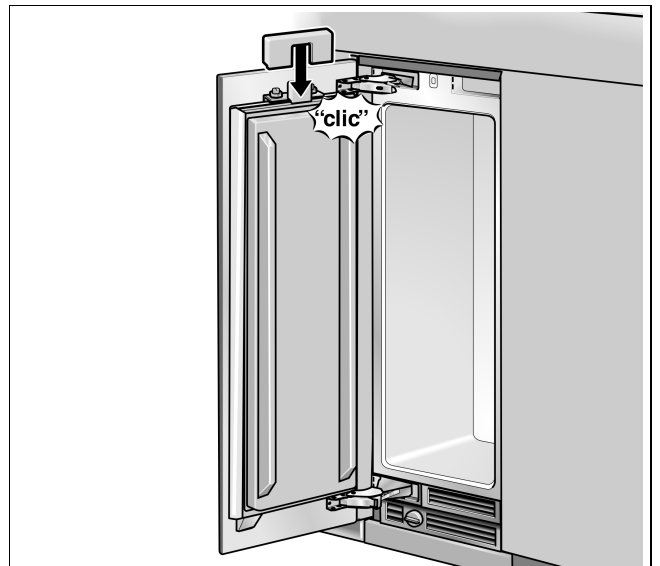


- Press the cover strip of the finger protector from top to bottom between the front of the furniture and the door of the appliance (2.).
- Press the hook of the clip into the profile of the cover strip (3.).

26. Attaching the covers



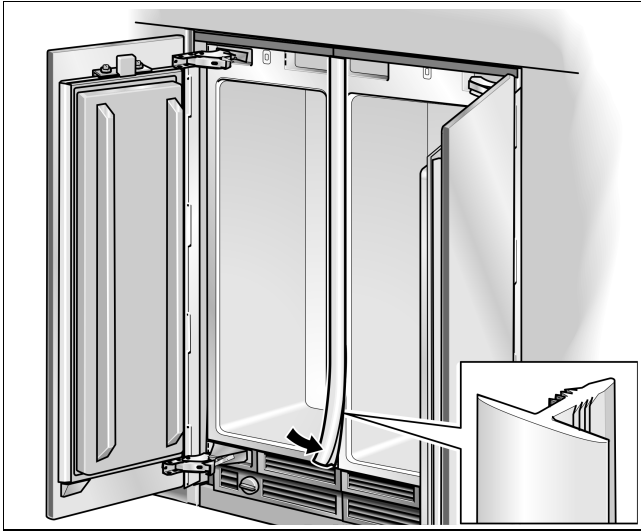
- Attach the cover ribs on both longitudinal sides of the door.



- Attach the light switch cover.

The light switch cover for the 61 cm and 76 cm width can be screwed to the door.

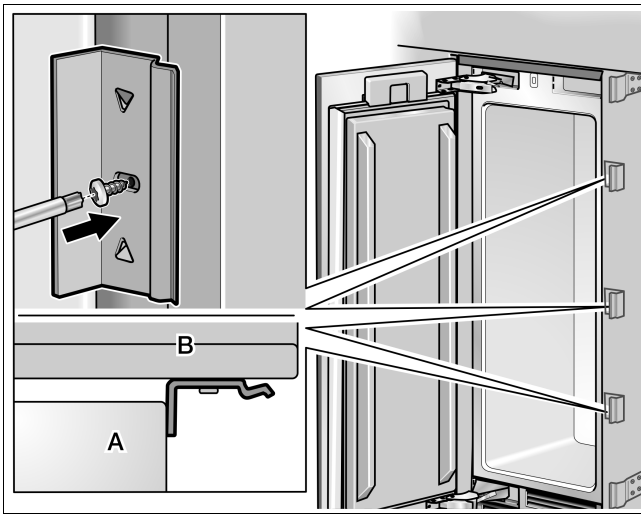
In the case of a Side-by-Side set up of two appliances:



- Insert the cover rib in the crack between the appliances.

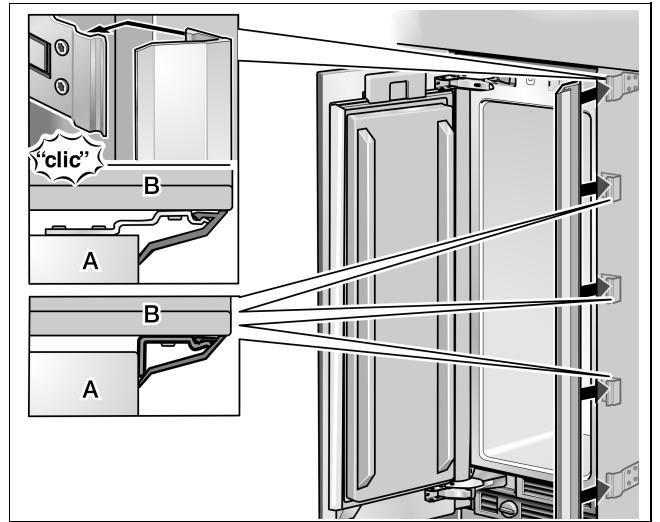
The cover rail is included in the installation accessories for Side-by-Side installation.

In the case of individual appliances:



A Appliance
B Cabinet part

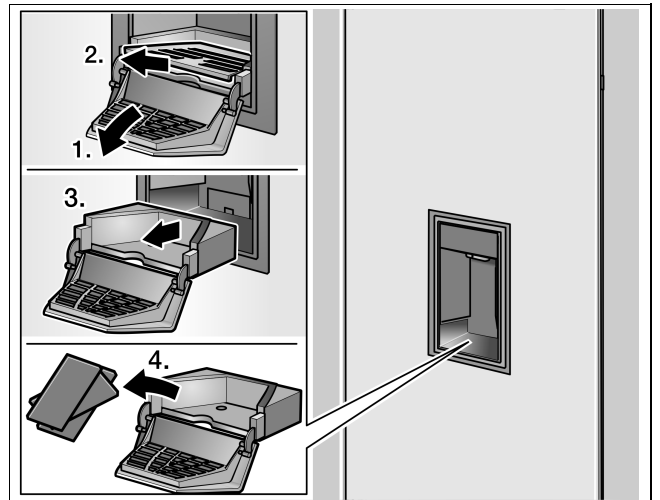
- Screw on the angle (laterally) for fastening the cover ribs.



- Attach the cover ribs to the fastening plates and the angles (laterally).

27. Adjusting the ice and water dispenser (only in the case of freezers with ice and water dispenser)

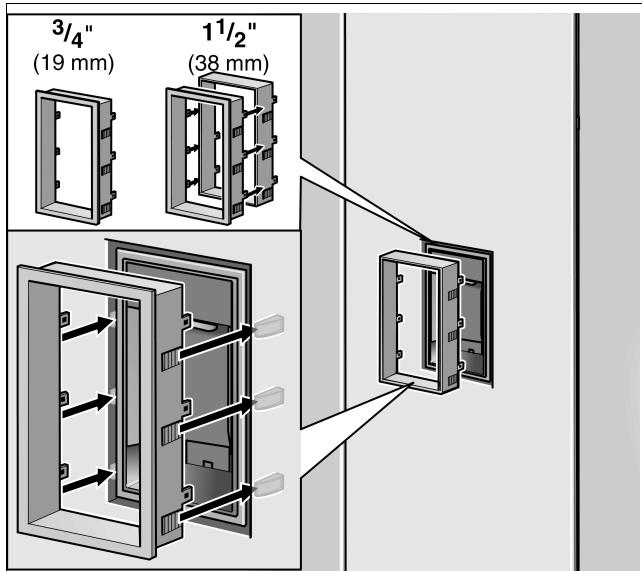
The ice and water dispenser can be adjusted within the section of the furniture door. In this way, it is possible to undertake parallel adjustment to the furniture door in order to achieve an optimal overall impression.



- Remove the storage area from the ice and water dispenser.
- Remove the covering from the catch bowl.

Note:

We recommend mounting the covering frames before aligning the ice and water dispenser.



For furniture doors with a 19 mm thickness:

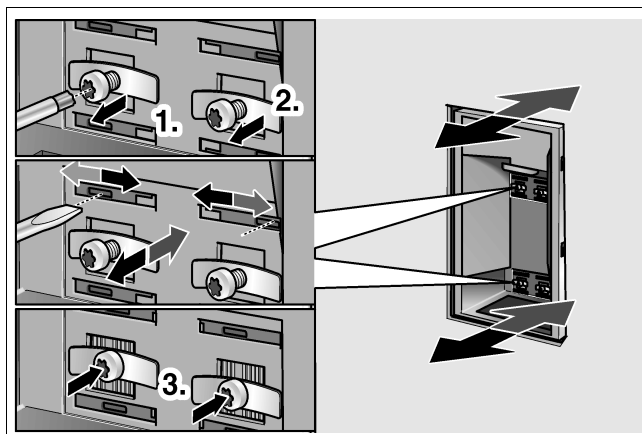
- Slide the covering frame onto the ice and water dispenser and press in until the frame is flush with the door surface.

For furniture doors with a 38 mm thickness:

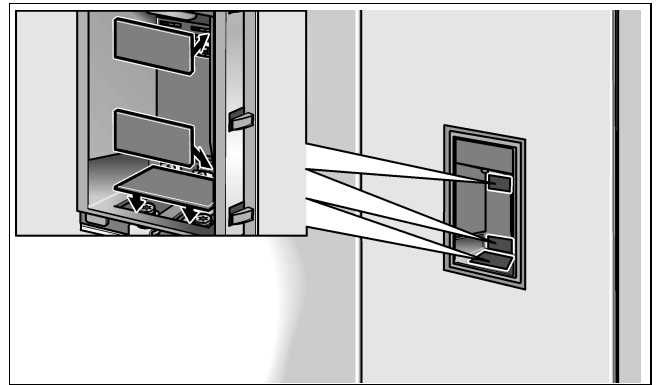
- Press lengthening frame onto the covering frame.
- Slide the covering frame onto the ice and water dispenser and press in until the frame is flush with the door surface.

Note:

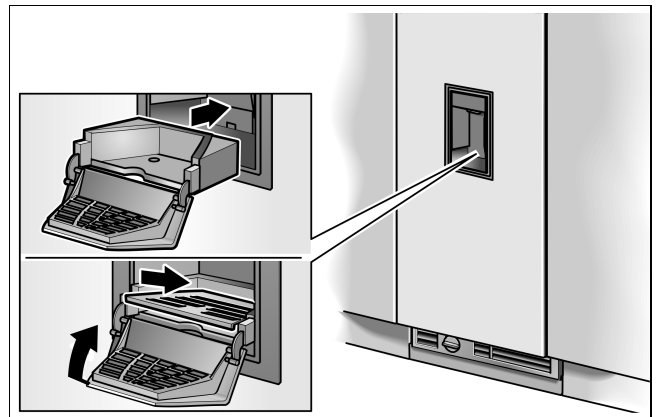
In the case of appliances with a high-grade steel door, there is a special covering frame.



- Loosen the screws on the 4 clips.
- Place a slit screwdriver into one of the 4 slits and shift the blocks laterally such that the ice and water dispenser has an equal distance to the furniture door.
- Retighten the screws on the clips.



- Apply the covering.

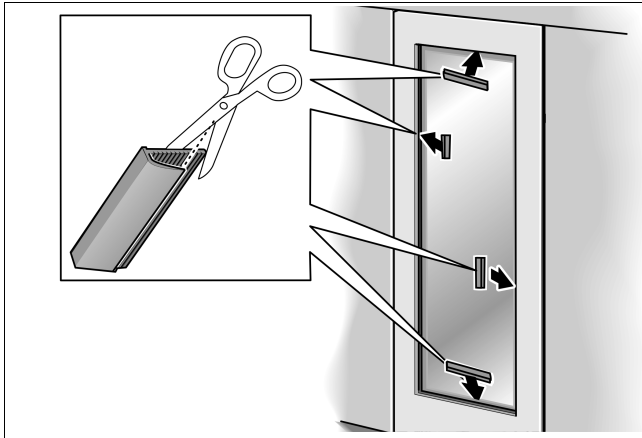


- Insert the rack.

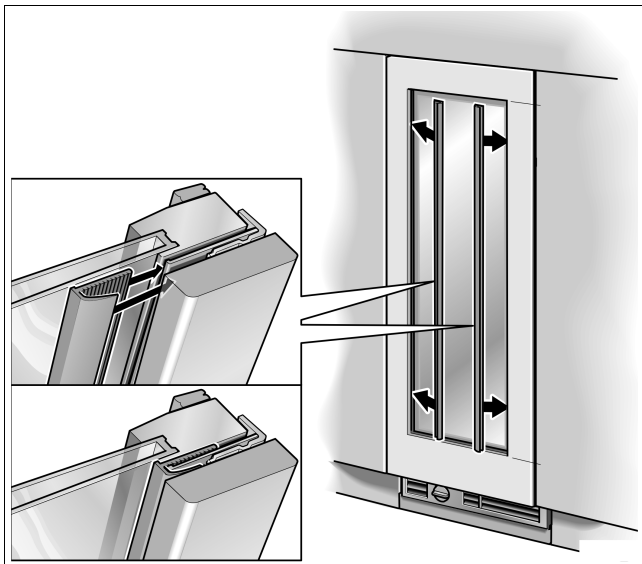
28. Attaching covering strips

(only for the wine storage cabinet)

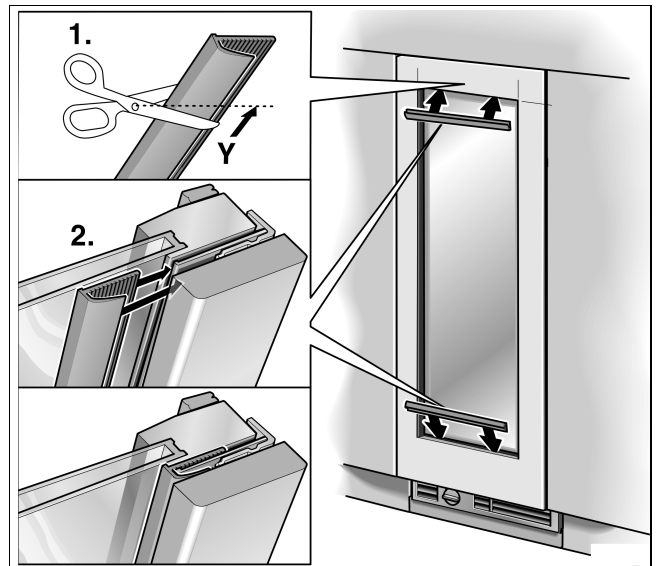
Note:



In certain circumstances, if the frame width is narrow, the side of the covering strip has to be shortened. To determine the required length of the side, lay trial pieces next to the covering strip.



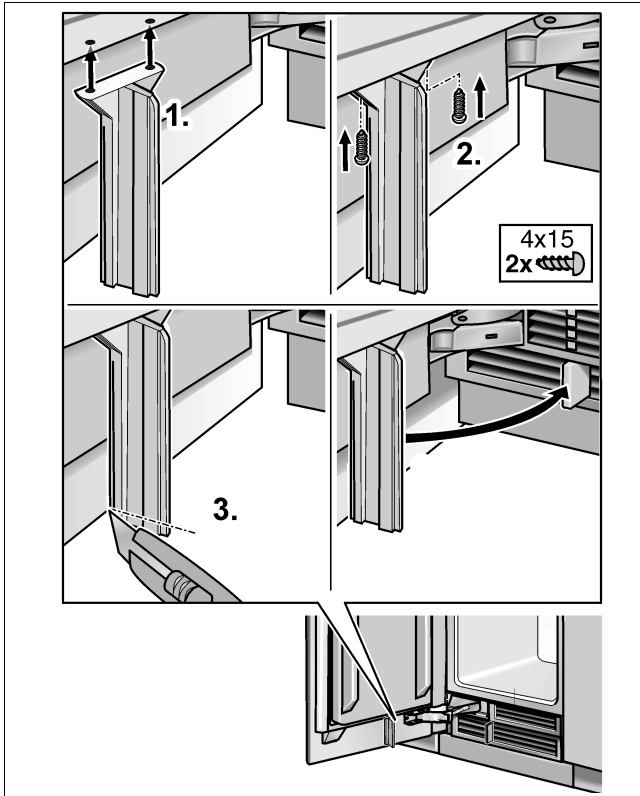
- Slide the covering strips on the longitudinal side into the gap between the furniture door and the glass pane.
- Cut the covering strips of the shortest sides to the required length.



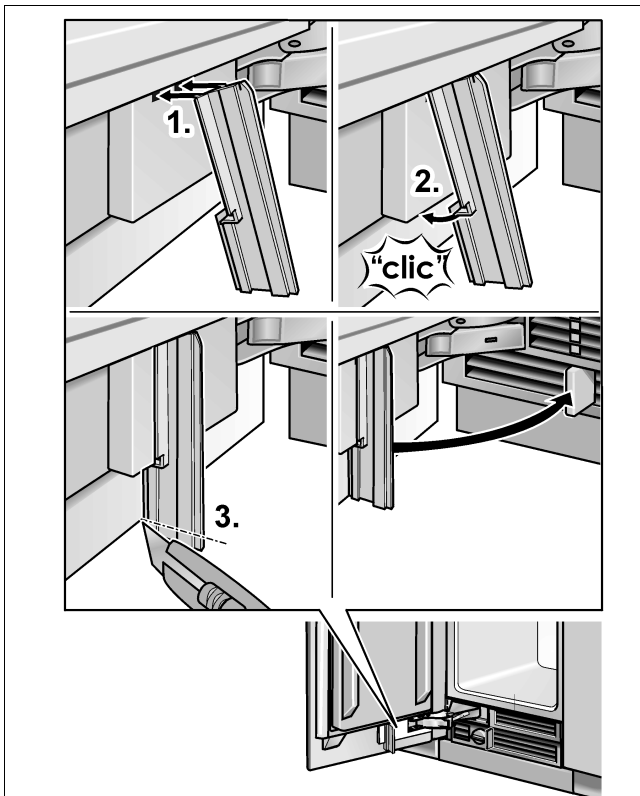
- Slide the covering strips into the gap between the furniture door and the glass pane.

29. Fitting the air separator

The air separator is used to separate the incoming and outgoing supplies of air for the appliance, to avoid reduced operating capacity.



Only in the case of freezers with ice and water dispenser

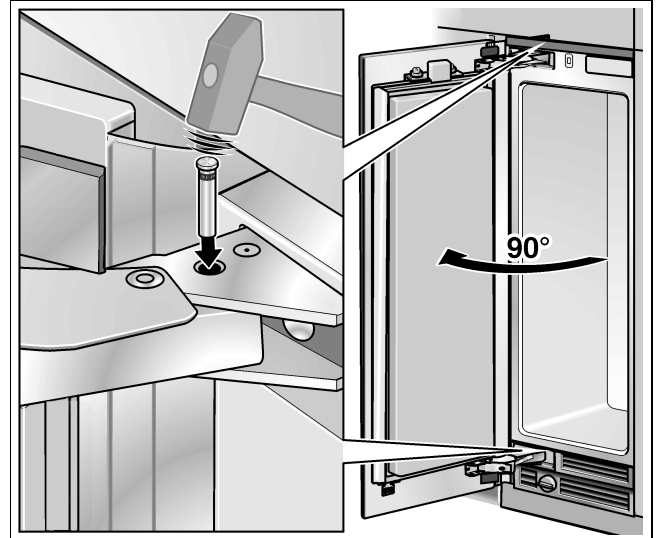


30. Setting the door opening angle

Depending on where the appliance is installed, it may be necessary to limit the door opening angle. A door opening angle of 115° is set at the factory.

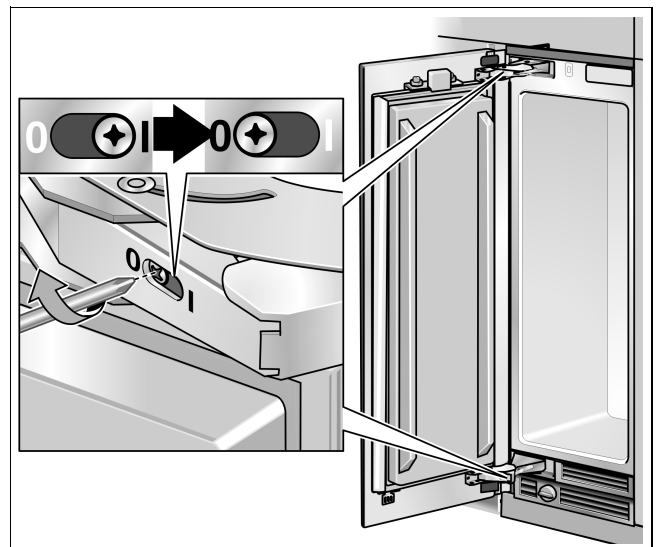
To set the door opening angle to 90°:

- Open the door to 90°.



- Drive in the stop pin with a hammer.

31. Tensioning the hinge springs



- Turn the setting screw with a cross head screwdriver.

I = Spring tensioned

0 = Spring released

Installation of the appliance is now complete.

D

Gaggenau Hausgeräte GmbH

Carl-Wery-Straße 34

D-81739 München

www.gaggenau.com