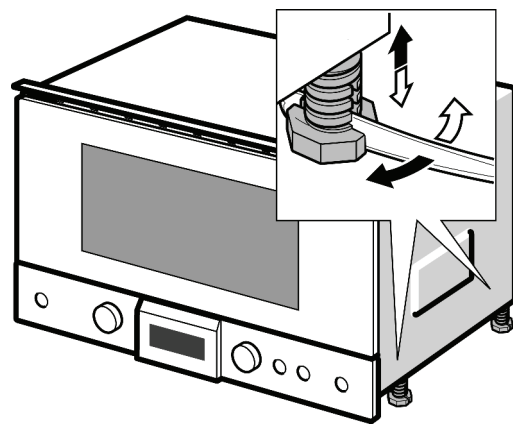
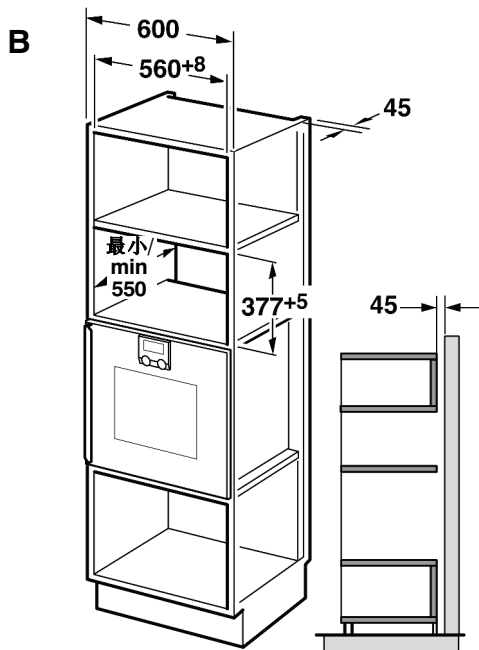
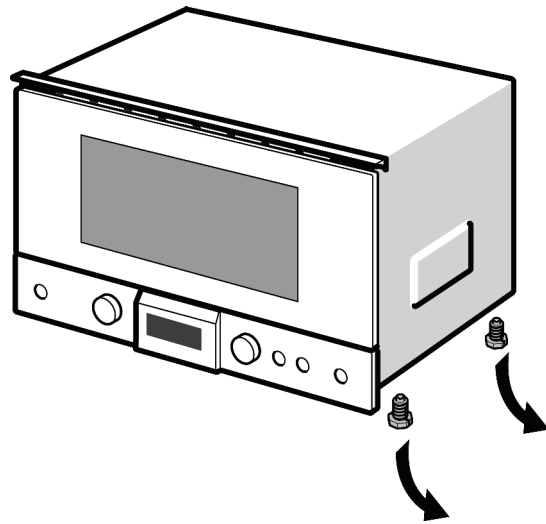
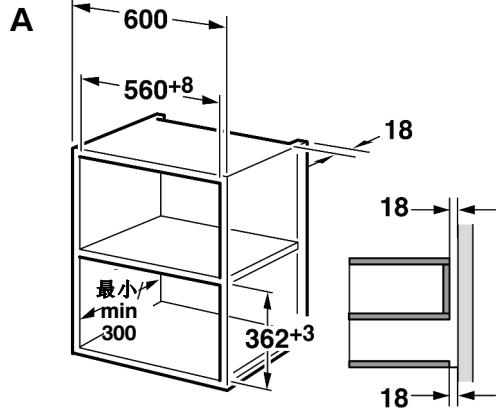
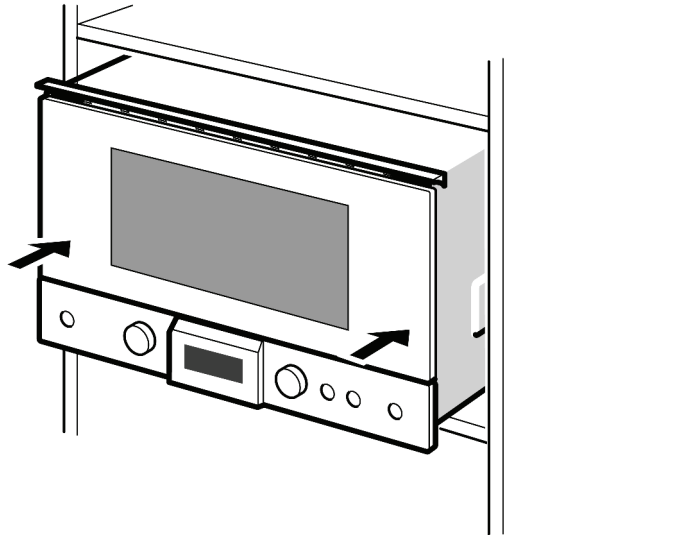


# 1

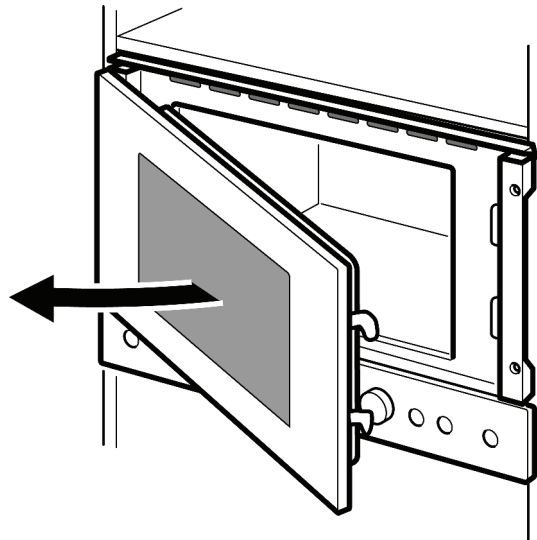


---

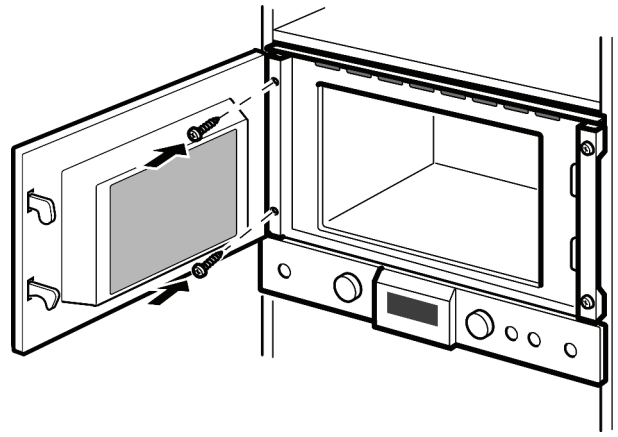
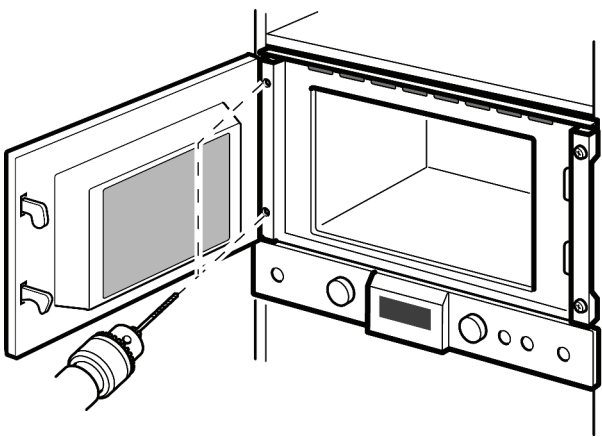
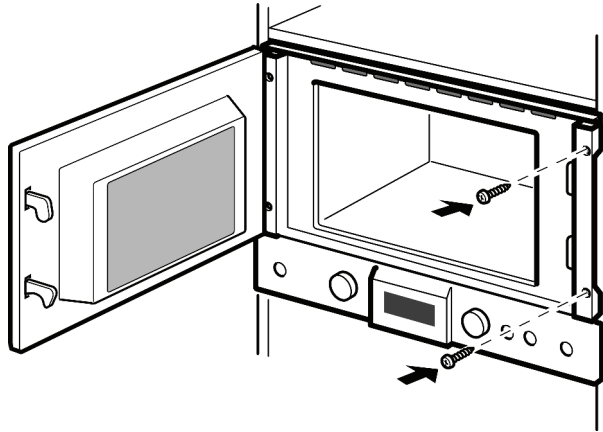
# 2 <sub>A</sub>



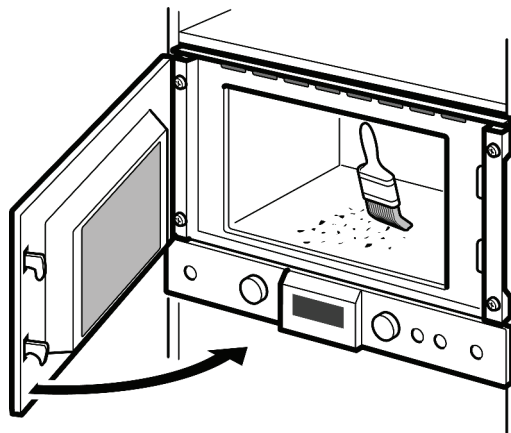
# B



2<sup>c</sup>



D



## 请注意

### 电气连接

本烤箱装有插头，只能连接到带有正确接地措施的插座上。只能由合格的电工安装插座和更换连接电缆，并要遵守适用的规定。

安装后，如果插头使用不便，则必须在安装侧安装一个全电极隔离开关，触点间隙至少为 3 mm。

## 图 1 嵌入式橱柜

嵌入式橱柜不应有后壁 (在电器后方)。

最小安装高度 85 cm。

请勿覆盖通风槽和进气口。

**A** 在壁橱中安装

**B** 在高柜中安装。

## 图 2 安装烤箱

### 注意：

请勿缠绕或扭结电源线。

## Please note

### Electrical connection

The oven is fitted with a plug and must only be connected to a properly installed earthed socket. The socket must only be installed and the connecting cable must only be replaced by a qualified electrician, and in accordance with the appropriate regulations.

If the plug is no longer accessible following installation, an all-pole isolating switch must be present on the installation side with a contact gap of at least 3 mm.

## Fig. 1 Built-in furniture

The built-in cabinet shall not have a rear wall behind the appliance.

Minimum installation height 85 cm.

Do not cover ventilation slots and air intake points.

**A** Installation in a wall unit

**B** Installation in a high cabinet.

## Fig. 2 Installing the oven

### Note:

Do not trap or kink the mains lead.