

Gaggenau

Installation instructions.....2
Notice de montage 13
Instrucciones de instalación.....24

VR 414 610

Electric grill
Gril électrique
Grill eléctrico

Safety Definitions

WARNING

This indicates that death or serious injuries may occur as a result of non-observance of this warning.

CAUTION

This indicates that minor or moderate injuries may occur as a result of non-observance of this warning.

NOTICE: This indicates that damage to the appliance or property may occur as a result of non-compliance with this advisory.

Note: This alerts you to important information and/or tips.

IMPORTANT SAFETY INSTRUCTIONS

READ AND SAVE THESE INSTRUCTIONS

INSTALLER: LEAVE THESE INSTRUCTIONS WITH THE APPLIANCE AFTER INSTALLATION IS COMPLETE.

IMPORTANT: SAVE THESE INSTRUCTIONS FOR THE LOCAL ELECTRICAL INSPECTOR'S USE.

WARNING

If the information in this manual is not followed exactly, fire or shock may result causing property damage or personal injury.

WARNING

Do not repair, replace or remove any part of the appliance unless specifically recommended in the manuals. Improper installation, service or maintenance can cause injury or property damage. Refer to this manual for guidance. All other servicing should be done by an authorized servicer.

Appliance Handling Safety

Hidden surfaces may have sharp edges. Use caution when reaching behind or under appliance.

Safety Codes and Standards

This appliance complies with one or more of the following Standards:

- **UL 858, The Standard for the Safety of Household Electric Ranges**
- **UL 923, The Standard for the Safety of Microwave Cooking Appliances**
- **UL 507, The Standard for the Safety of Electric Fans**
- **ANSI Z21.1, The American National Standard for Household Cooking Gas Appliances**
- **CAN/CSA-C22.2 No. 113-M1984 Fans and Ventilators**
- **CAN/CSA-C22.2 No. 61-M89 Household Cooking Ranges**

It is the responsibility of the owner and the installer to determine if additional requirements and/or standards apply to specific installations.

Electric Safety

WARNING

Before you plug in an electrical cord or turn on power supply, make sure all controls are in the OFF position.

If required by the National Electrical Code (or Canadian Electrical Code), this appliance must be installed on a separate branch circuit.

WARNING

Risk of electrical shock or fire

Frame grounded to neutral through a ground strap. Grounding through the neutral conductor is prohibited for new branch-circuit installations (1996 NEC), mobile homes, and recreational vehicles, or in an area where local codes prohibit grounding through the neutral conductor.

For installations where grounding through the neutral conductor is prohibited,

- a) disconnect the link from the neutral,
 - b) use grounding terminal or lead to ground unit,
 - c) connect neutral terminal to lead branch circuit neutral in usual manner (when the appliance is to be connected by means of a cord kit, use a UL listed 4-conductor cord for this purpose).
-

Be sure your appliance is properly installed and grounded by a qualified technician. Installation, electrical connections and grounding must comply with all applicable codes.

Before installing, turn power OFF at the service panel. Lock service panel to prevent power from being turned ON accidentally.

Installer – show the owner the location of the circuit breaker or fuse. Mark it for easy reference.



IMPORTANT SAFETY INSTRUCTIONS

READ AND SAVE THESE INSTRUCTIONS

Related Equipment Safety

The appliance should only be used if installed by a qualified technician in accordance with these installation instructions. The manufacturer is not responsible for any damage resulting from incorrect installation.

Remove all tape and packaging before using the appliance. Destroy the packaging after unpacking the appliance. Never allow children to play with packaging material.

Never modify or alter the construction of the appliance. For example, do not remove leveling legs, panels, wire covers or anti-tip brackets/screws.

To eliminate the risk of burns or fire by reaching over heated surface units, cabinet storage space located above the surface units should be avoided. If cabinet storage is to be provided, the risk can be reduced by installing a hood that projects horizontally a minimum of 5 inches (127 mm) beyond the bottom of the cabinet.

Verify that cabinets above the cooktop are a maximum of 13" (330 mm) deep.

When installing a cooktop over a single oven, be sure to follow both the oven's and cooktop's installation manuals.

Ventilation Recommendations

We strongly recommend the installation of a ventilation hood above this appliance. The hood must be installed according to instructions furnished with the hood.

CAUTION

The appliance should not be installed with a ventilation system that blows air downward toward the burners. This type of ventilation system may cause ignition and combustion problems with the gas cooking appliance resulting in personal injury or unintended operation.

State of California Proposition 65

Warnings:

WARNING

This product can expose you to chemicals including vinyl chloride, which is known to the State of California to cause cancer and birth defects or other reproductive harm. For more information go to www.P65Warnings.ca.gov.

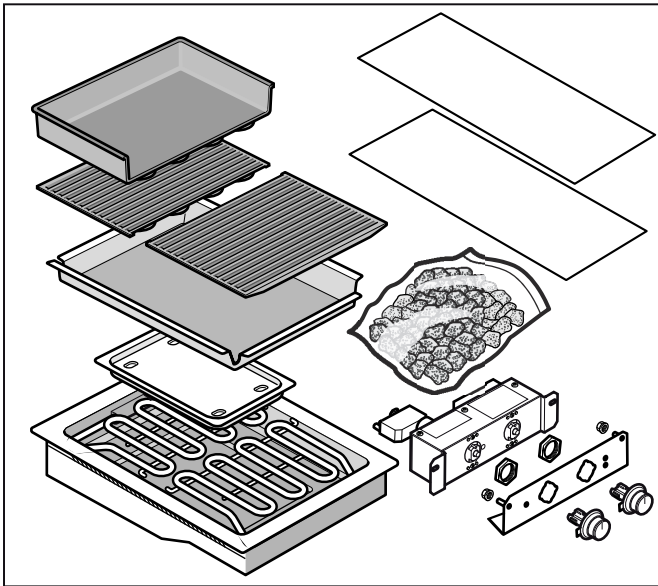
Before you begin

Tools and parts needed

- Screwdriver Torx T20
- Pencil
- Drill with 1/4" (6 mm) bit
- Jigsaw
- Tape Measure

Note: Additional materials may be necessary for installation in solid surface countertops. Contact the countertop manufacturer.

Parts included



Special accessories

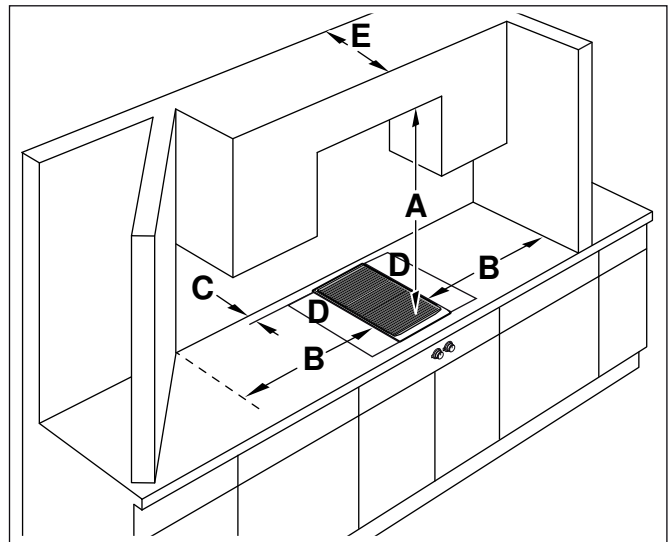
You can order the following accessories from your specialist dealer:

- VA 461 000 Cast roaster pan, small
- VA 461 001 Cast roaster pan, large
- LV 030 000 Lava stones (replaceable)
- VA 440 010 Stainless steel appliance cover
- VA 420 000 Connection strip for combination with other Vario appliances in the 400 series for flush installation
- VA 420 001 Connection strip for combination with other Vario appliances in the 400 series for flush installation with appliance cover/compensation strip

- VA 420 010 Connection strip for combination with other Vario appliances in the 400 series for surface-mounted installation
- VA 420 011 Connection strip for combination with other Vario appliances in the 400 series for surface-mounted installation with appliance cover/compensation strip
- VA 450 401 Appliance extension 15" (38 cm)

Use the accessories only as indicated. The manufacturer assumes no liability for incorrect usage of the accessories.

Cabinet Requirements



The minimum spaces that must be maintained when installing the electric grill shall be:

- A minimum 30" (762 mm)
- B minimum 8" (200 mm)
- C minimum 1⁹/₁₆" (40 mm)
- D Stainless steel work surfaces: both work surfaces must be permanently fitted on both sides of the grill to protect the countertop when the grill is installed separately.
When installed next to another Vario appliance, a work surface must be fitted on the opposite side to protect the countertop.
When installed between two other Vario appliances, no work surface is required.
- E maximum 13" (330 mm)

Countertop Requirements

⚠ WARNING

To reduce the risk of ignition of surrounding combustible materials, install at least 2" (51 mm) from both sidewalls and the rear wall.

The countertop must be level and horizontal. The stability of the countertop must be maintained after the cut-out has been made.

Solid surface countertops often require special installations. For example, heat-reflective tape and rounded corners may be necessary. Contact the countertop manufacturer for instructions specific to your countertop.

Prepare Installation Space

The kitchen unit must be heat-resistant to at least 200° F (90° C). The stability of the unit must be maintained after producing the cut-out.

Produce the cut-out in the countertop for one or more Vario appliances as shown in the installation sketch. The angle between the cut surface and the countertop must be 90°.

The cut edges at the sides must be flat to ensure a good fit of the retaining springs on the appliance. In laminated worktops, it may be necessary to fit strips at the sides of the cut-out.

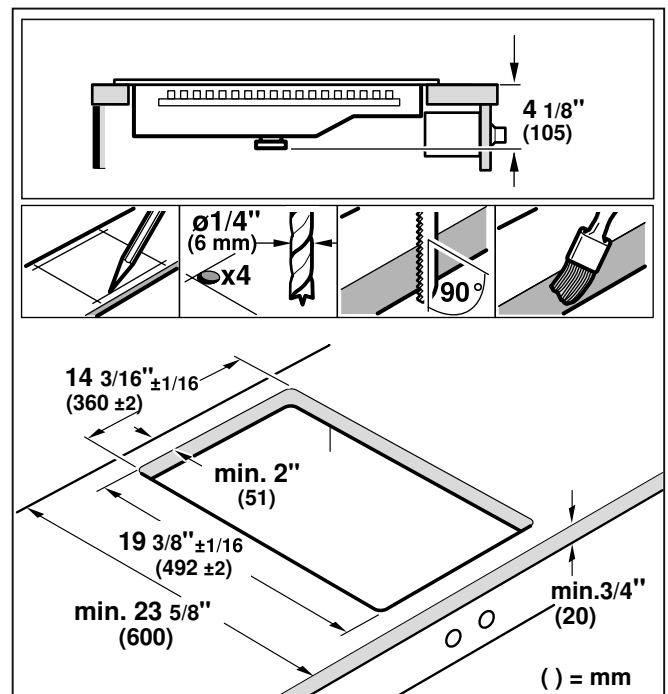
Remove shavings after cutting. Seal cut surfaces for resistance to heat and so they are watertight.

Pay attention to a minimum gap of 3/8" (10 mm) from the underside of the appliance to kitchen units.

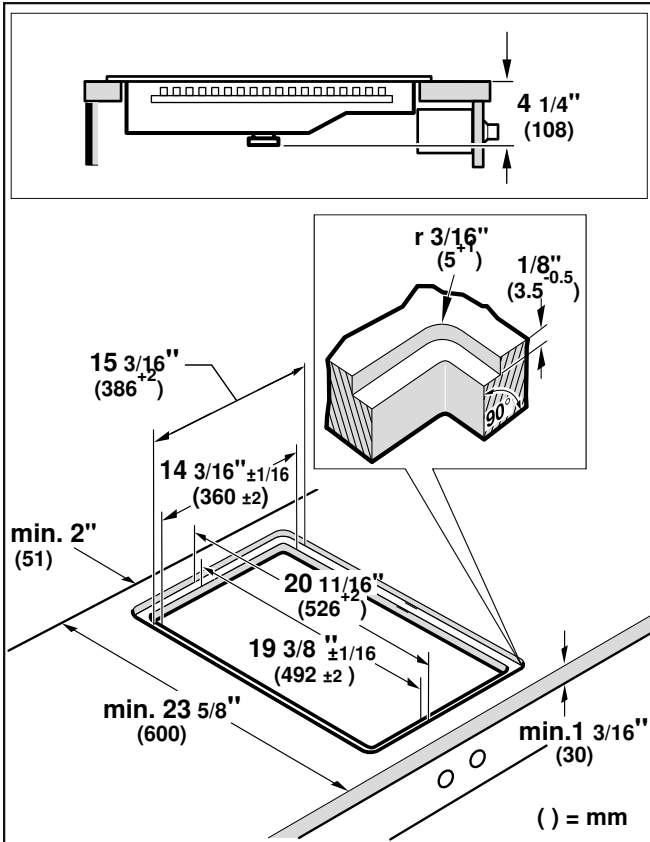
Use suitable base constructions to ensure load-carrying capacity and stability, especially in the case of thin countertops. Pay attention to the weight of the appliance, including any payload. Reinforcement material used must be resistant to heat and moisture.

Note: Wait until the appliance has been installed in the installation opening before checking that it is level.

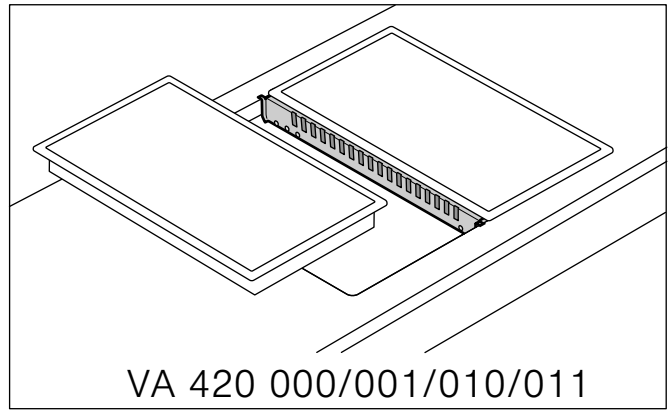
Cutting out countertop



Flush mounting: Flush mounting into a countertop is possible.



Combining several Vario devices: The connecting strip VA 420 000/001/010/011 is required for the combination of several Vario appliances. This is available separately as a special accessory. Consider additional space requirement for the connecting strip between the appliances when making the cut-out (see installation instructions VA 420 000/001/010/011).



Appliances can also be installed in individual cut-outs, bearing in mind a minimum distance between the devices of 2" (51 mm).

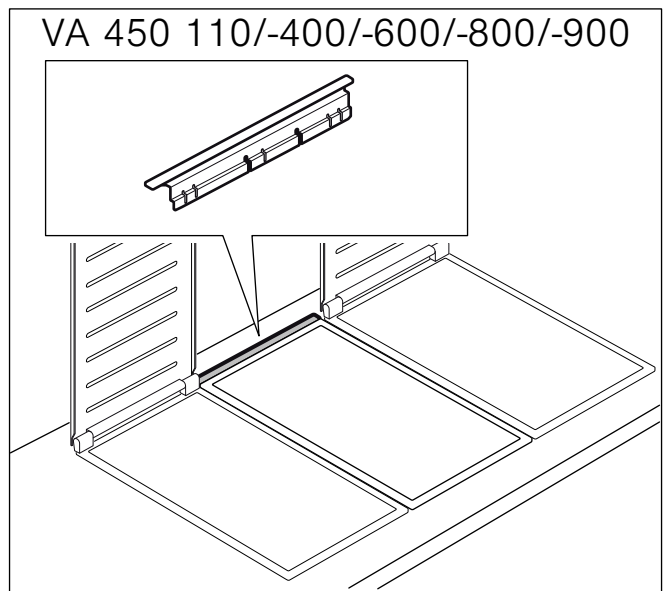
When combining several appliances with or without appliance cover, you can use the appliance extensions VA 450 110/-401/-600/-800/-900 (depending on appliance width) to balance out dimension differences.

Flush installation: The appliance can be installed in the following temperature- and water-resistant countertops:

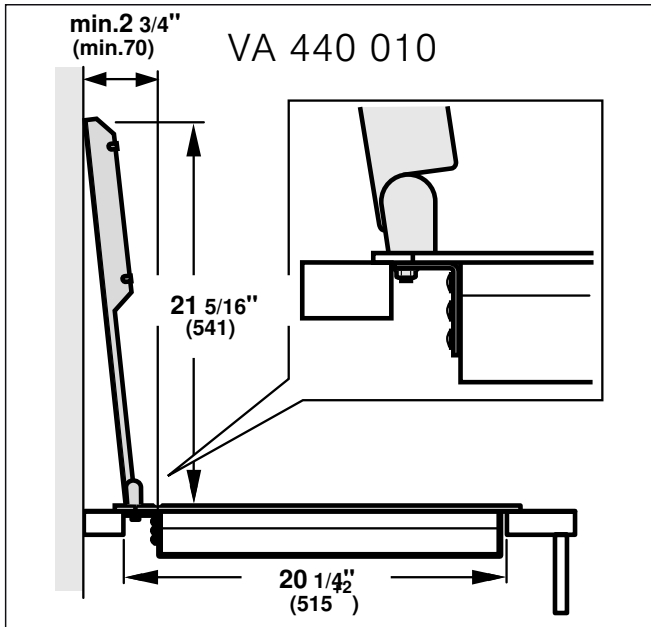
- Stone countertops
- Plastic countertops (such as Corian®)
- Solid wood countertops: Only in consultation with the manufacturer of the countertop (seal cut-out edges)
- Installation in other countertops only in consultation with the manufacturer of the countertop.

Installation in countertops made of particleboard is not possible.

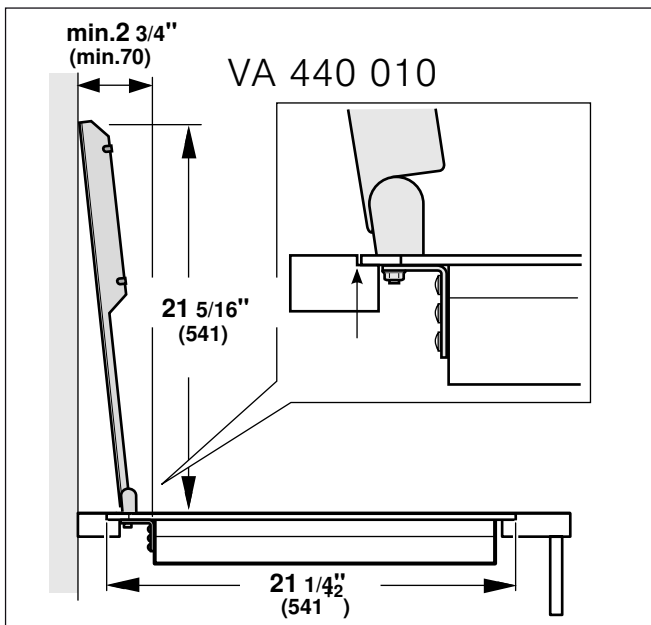
Note: Any cut-out work on the countertop must be performed in a workshop according to the installation diagram. The cut-out must be made cleanly and precisely since the cut-out edge is visible on the surface. Clean and degrease the cut-out edges with a suitable cleaning agent (bear in mind silicone manufacturer's processing instructions).



Combination with appliance cover: The appliance cover VA 440 010 is available separately as a special accessory. When creating the cut-out, bear in mind the additional space required for the appliance cover.



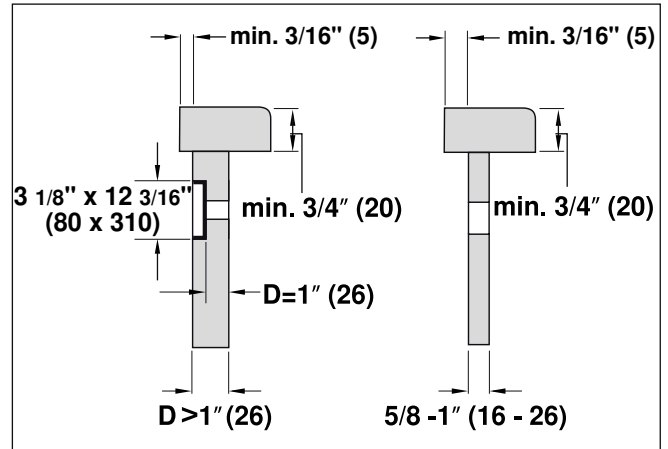
Flush installation:



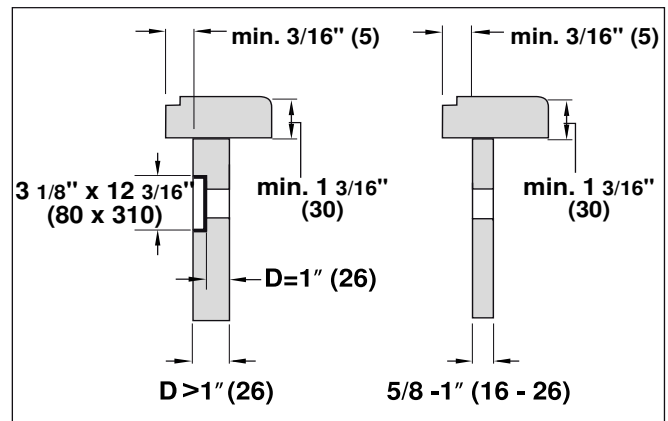
Hole for control knob

The built-in control console can be integrated into the lower cabinet at drawer level. Panel thickness: $\frac{5}{8}$ " - 1" (16 - 26 mm)

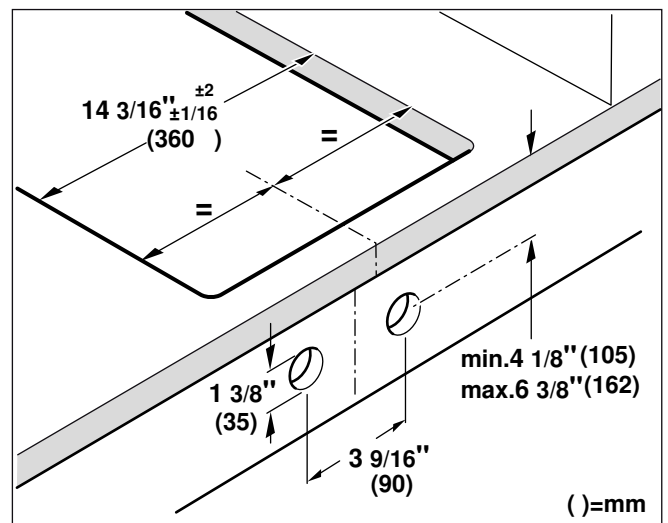
- 1 If front panel thickness is greater than 1" (26 mm): Mill out front panel on rear side to the dimensions $3\frac{1}{8}$ " x $12\frac{3}{16}$ " (80 x 310 mm) to the point that the thickness doesn't exceed 1" (26 mm).



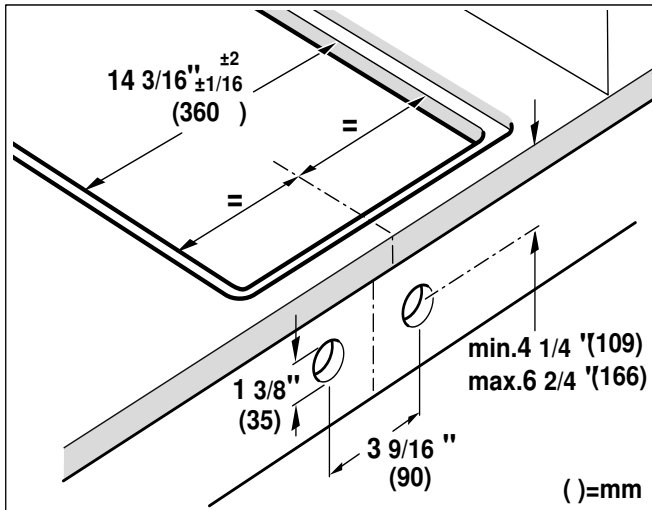
For flush mounting:



- 2 According to the figure, create the drill hole $\varnothing 1\frac{3}{8}$ " (35 mm) for fixing in place the control knob in the front side of the lower cabinet. A drilling template is included for precise positioning of the drill hole.



For flush mounting:

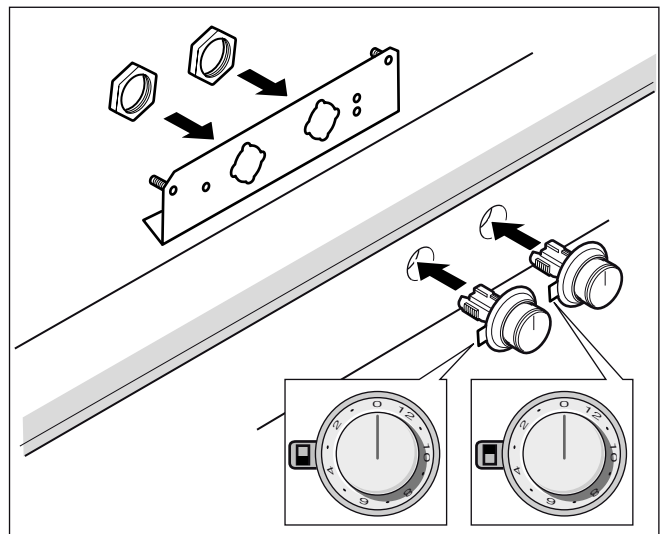


Installation Procedure

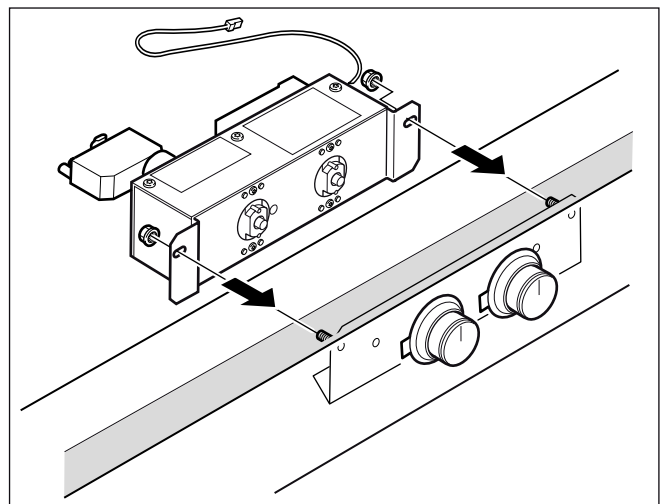
Installation of control console

Note: Only install the appliance in conjunction with the corresponding control console.

- 1 Remove the packaging of the control knobs and the protective film from the light rings.
- 2 Open the cover of the terminal box on the control console. Secure the mains connecting lead as shown in the terminal diagram and secure it with pull relief. Close the terminal box cover.
- 3 Hold the retaining plate against the front panel from behind. Stick the control knobs into the holes from the front and screw it tight from behind with the nuts. Make sure that the control knobs are correctly arranged.



- 4 Screw the control console tight to the retaining plate using the nuts included.

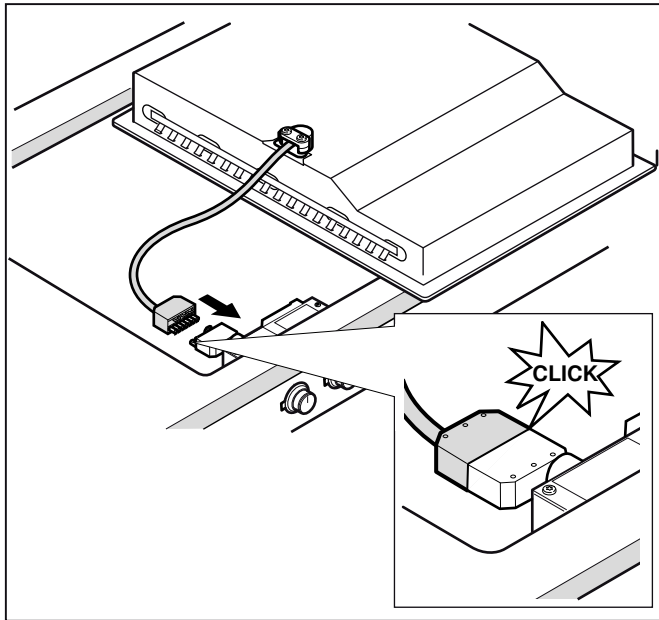


Install Appliance

⚠ WARNING

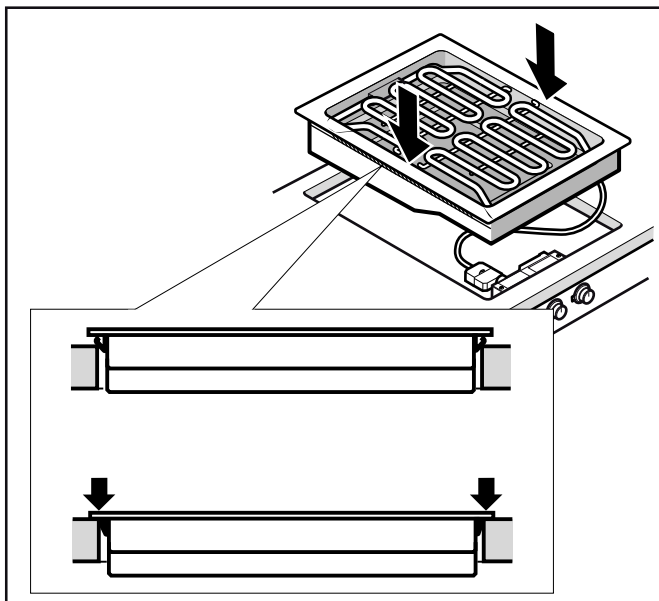
Before you plug in an electrical cord or turn on power supply, make sure all controls are in the OFF position.

- 1 Firmly plug in the connecting lead from the appliance and the control console. The plugs must engage.



- 2 Evenly insert the unit in the cut-out. Press the unit firmly into the cut-out from above.

Note: The unit must sit firmly in the cut-out and must not move (e.g. during cleaning). If necessary, secure strips at the sides in the cut-out if the cut-out width is at the top tolerance limit.

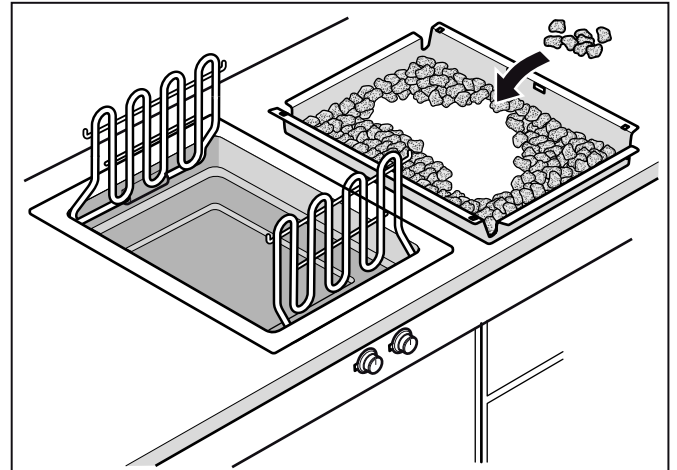


- 3 Connect the appliance to the mains and check that it is working. If both illuminated rings behind the control knobs flash alternately, the connecting cable between the control console and the appliance is not plugged in. Check that the connecting cable is fitted correctly.

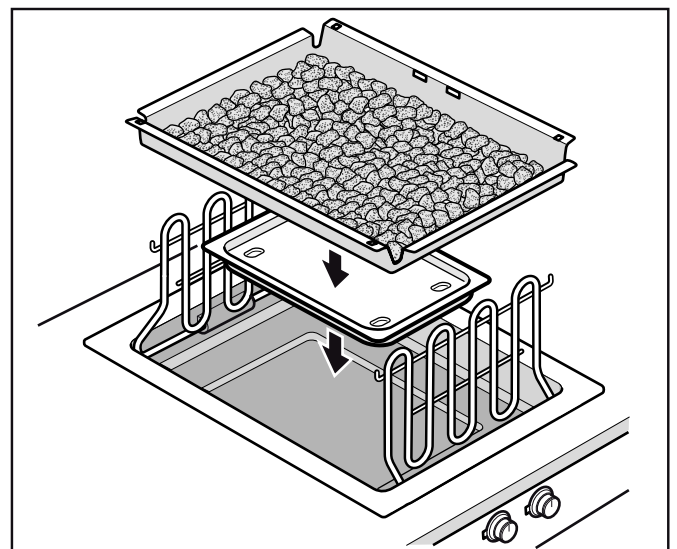
- 4 **Flush installation only: it is imperative to test functioning before jointing!** Joint the surrounding gap with a suitable, temperature-resistant silicone adhesive (such as OTTOSEAL® S 70). Smoothen the seal joint with smoothing agent recommended by the manufacturer. Observe the notes on processing the silicone adhesive. Do not operate the appliance until the silicone adhesive has dried completely (at least 24 hours, depending on room temperature).

NOTICE: Unsuitable silicone adhesive used on natural stone worktops will cause permanent discoloration.

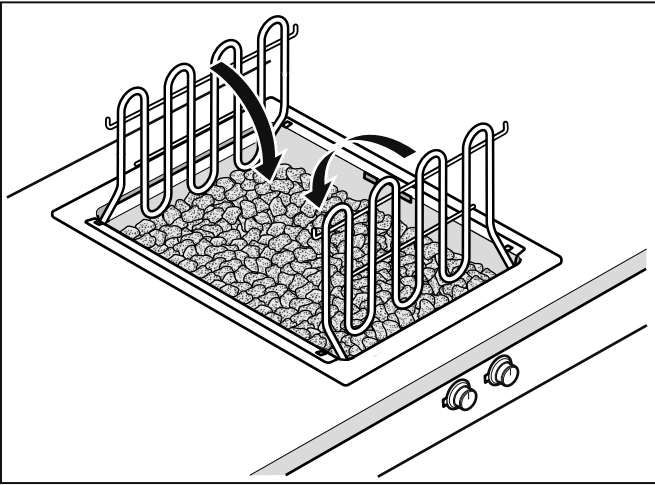
- 5 Remove lava stones from the plastic film and place them in the lava stone trough.



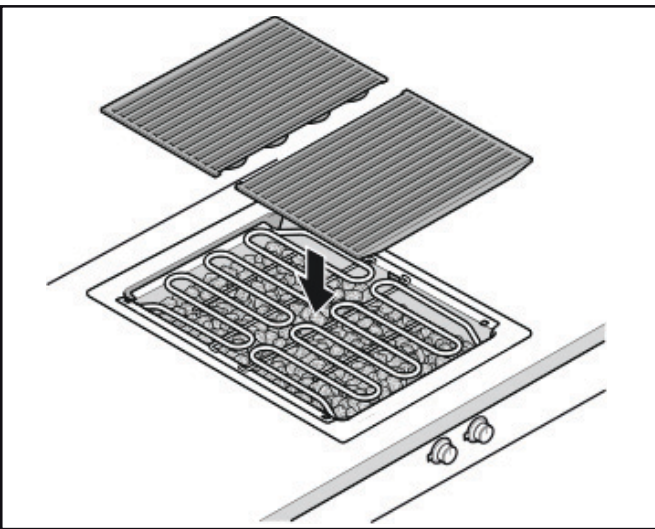
- 6 Insert the grease tray and the lava stone trough in the appliance.



7 Fold grill heating elements down.



8 Fit cast iron wire racks.



Connect Electrical Supply

Refer to data plate for more information. See "Service" for data plate location.

The branch-circuit breakers ampacity, the wire sizes and the connections must be conform to the requirements of the National Electrical Code or Canadian Electrical Code and all local codes and ordinances.

Attach flexible conduit to the junction box. Connect the lead wires to the junction box supply wires in proper phase:

- black (L1) to black
- red (L2) to red
- green to ground

The mains connecting cable must at least correspond to the type SJTO 3x16 AWG 105°C. The mains connecting cable must only be purchased through and connected by an authorised specialist.

Connection with a plug

- Plug has to be conform with NEMA CONFIGURATIONS FOR PLUGS AND RECEPTACLES.
- The appliance must be properly grounded.
- Plug must be rated not less than type 6-20 P (2-pole 3-wire grounding).
- Only a qualified electrician should connect the plug.
- Install a socket outlet earthed in accordance with regulations approx. 27" (700 mm) above the floor behind the appliance. The socket outlet must still be accessible after installation.

Check the Installation

⚠ WARNING

Before you plug in an electrical cord or turn on power supply, make sure all controls are in the OFF position.

Remove everything from the cooktop surface.

Switch on the circuit breaker.

Verify that elements function properly.

Removing appliance

Disconnect the appliance from the power supply. For flush-mounted appliances, remove the silicone joint. Push out the appliance from below.

⚠ CAUTION

Damage to appliance! Don't lever device out from above at the frame.

Customer Service

If your appliance needs repairs, our customer service is there for you. We work hard to help solve problems quickly and without unnecessary service calls, getting your appliance back up and running correctly in the least amount of time possible.

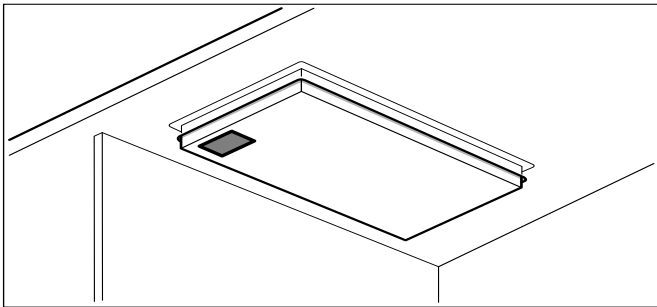
When you call, please indicate the product number (E-Nr.) and serial number (FD-Nr.) so that we can support you in a qualified manner. You will find the type plate with these numbers on the bottom of the appliance. To avoid having to search for a long time when you need it, you can enter your appliance data and the customer support telephone number here.

E-Nr.

FD-Nr.

Customer Service 

Please read the installation instructions and use and care instructions provided with your appliance. Failure to do so may result in an error in using the appliance. This could result in a service call that instead of fixing a mechanical issue is only needed for customer education. Such calls are not covered by the appliance warranty.



Please find the contact data of all countries in the enclosed customer service list.

To book an engineer visit and product advice

USA 877 442 4436
 toll-free

CANADA 877 442 4436
 toll-free

You can rely on the manufacturer's expertise. Rest assured that the repair will be handled by trained service technicians who have the original replacement parts for your appliance.

Définitions de sécurité

AVERTISSEMENT

Ceci indique que le non-respect de cet avertissement peut entraîner des blessures graves, voire la mort.

ATTENTION

Ceci indique que le non-respect de cet avertissement peut entraîner des blessures légères ou de gravité moyenne.

AVIS : Ceci indique que la non-conformité à cet avis de sécurité peut entraîner des dégâts matériels ou endommager l'appareil.

Remarque : Ceci vous signale des informations et/ou indications importantes.

CONSIGNES DE SÉCURITÉ IMPORTANTES

LIRE ET CONSERVER CES INSTRUCTIONS

INSTALLATEUR : LAISSEZ CES INSTRUCTIONS AVEC L'APPAREIL APRÈS UNE FOIS L'INSTALLATION TERMINÉE.

IMPORTANT : CONSERVER CES INSTRUCTIONS POUR L'USAGE DE L'INSPECTEUR ÉLECTRIQUE LOCAL.

AVERTISSEMENT

Si l'information de ce guide n'est pas suivie exactement, il peut en résulter un incendie ou un choc électrique causant des dommages à la propriété, des blessures ou la mort.

AVERTISSEMENT

Ne réparez, remplacez, ni ne retirez aucune partie de l'appareil, excepté si les manuels recommandent de le faire. Une installation, un entretien ou une inspection incorrects peuvent occasionner des blessures ou des dommages matériels. Reportez-vous au présent manuel pour obtenir des indications. Toute autre intervention doit être effectuée par un technicien agréé.

Sécurité de manutention des appareils

Certaines surfaces peuvent avoir des bords tranchants. Faire attention en étendant le bras derrière l'appareil ou en dessous.

Codes et normes de sécurité

Cet appareil est conforme à une ou plusieurs des normes suivantes :

- **UL 858, norme pour la sécurité des cuisinières électriques domestiques**
- **UL 923, norme pour la sécurité des appareils de cuisson à micro-ondes**
- **UL 507, norme pour la sécurité des ventilateurs électriques**
- **ANSI Z21.1, norme nationale américaine pour les appareils de cuisson à gaz domestiques**
- **CAN/CSA-C22.2 No. 113-M1984, Ventilateurs et soufflantes**

- **CAN/CSA-C22.2 No. 61-M89, Cuisinières pour usage ménager**

Il incombe au propriétaire et à l'installateur de déterminer si des exigences additionnelles et/ou normes s'appliquent pour des installations spécifiques.

Sécurité électrique

AVERTISSEMENT

Avant tout raccordement de cordon électrique ou toute mise sous tension, assurez-vous que toutes les commandes sont en position OFF (d'arrêt).

S'il y a lieu, conformément au Code national de l'électricité (ou au Code canadien de l'électricité), cet appareil doit être installé sur un circuit de dérivation séparé.

AVERTISSEMENT

Risque de choc électrique ou d'incendie

Le cadre est mis à la terre au neutre par le conducteur de terre. La mise à la terre par le conducteur neutre est interdite pour les nouvelles installations de circuit terminal (NEC 1996), les maisons mobiles et les véhicules de plaisance ou dans les endroits où les codes locaux interdisent la mise à la terre par un conducteur neutre.

Pour les installations où la mise à la terre par le conducteur neutre est interdite,

- a) débrancher la liaison du neutre,
 - b) utiliser la borne de terre ou le fil pour mettre l'appareil à la terre,
 - c) brancher la borne neutre sur le fil neutre du circuit terminal de la façon habituelle (lorsque l'appareil doit être branché au moyen d'un nécessaire de cordon, utiliser un cordon à 4 fils homologué par l'Underwriters Laboratory prévu à cet effet).
-

S'assurer que l'appareil est installé et mis à la terre par un technicien qualifié. L'installation, les connexions électriques et la mise à la terre doivent être conformes à tous les codes applicables.

Avant l'installation, mettre l'appareil hors service au panneau de service. Verrouiller le panneau d'entrée d'électricité pour éviter que le courant ne soit accidentellement rétabli.

Installateur – Indiquer au propriétaire l'emplacement du disjoncteur ou du fusible. Identifier sa position pour pouvoir le retrouver facilement.

CONSIGNES DE SÉCURITÉ IMPORTANTES

LIRE ET CONSERVER CES INSTRUCTIONS

Équipement de sécurité

Utilisez uniquement l'appareil électroménager s'il a été installé par un technicien qualifié conformément aux présentes instructions d'installation. Le fabricant ne peut pas être tenu responsable de tous dommages causés par une installation inadéquate.

Enlever le ruban adhésif et l'emballage avant d'utiliser l'appareil. Détruire l'emballage après avoir déballé l'appareil. Ne jamais laisser les enfants jouer avec les matériaux de conditionnement.

Ne jamais modifier ni altérer la configuration de l'appareil. Par exemple, ne pas retirer les pieds de nivellement, les panneaux, les couvercles de câblage ou les fixations/vis antibasculement.

Pour éliminer le risque de brûlures ou d'incendie lorsque l'on allonge le bras au-dessus des éléments de surface chauds, éviter d'installer des placards au-dessus des éléments de surface. Si l'installation de placards est prévue, le risque peut être réduit en installant une hotte aspirante qui dépasse horizontalement d'au moins 5 po (127 mm) la base du placard.

Vérifiez que la profondeur des armoires situées au-dessus de la table de cuisson ne dépasse pas 13 po (330 mm).

Lors de l'installation de la table de cuisson sur un four simple, prendre bien soin de suivre les instructions des manuels d'installation du four et de la table de cuisson.

Recommandations sur la ventilation

Il est vivement recommandé d'installer une hotte aspirante au-dessus de cet appareil. La hotte aspirante doit être installée conformément aux instructions qui l'accompagnent.

ATTENTION

L'appareil ne devrait pas être installé avec un système de ventilation qui souffle l'air vers les brûleurs. Ce type de système de ventilation peut causer des problèmes d'allumage et de combustion avec l'appareil de cuisson au gaz et pourrait provoquer des blessures ou nuire au fonctionnement normal.

Avertissement issue de la proposition 65 de l'État de la Californie :

AVERTISSEMENT

Ce produit peut vous exposer à des produits chimiques, comme du chlorure de vinyle, reconnu par l'État de la Californie comme causant le cancer, des malformations congénitales ou d'autres effets nocifs sur la reproduction. Pour de plus amples renseignements, consultez www.P65Warnings.ca.gov.

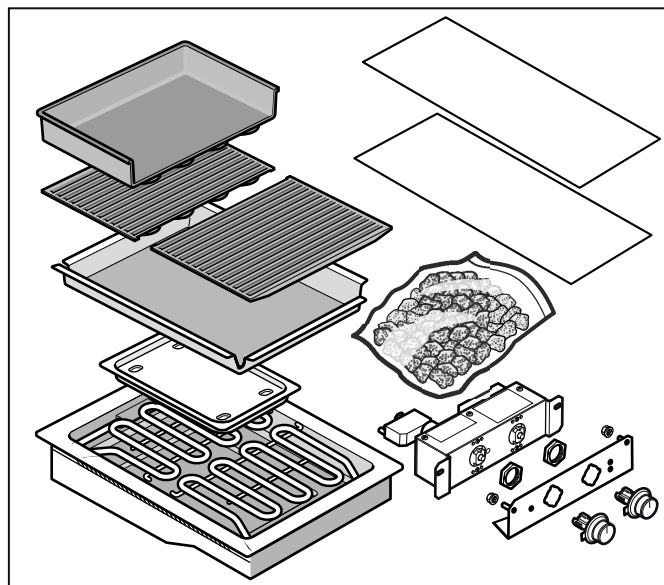
Avant de commencer

Outils et pièces nécessaires

- Tournevis à empreinte Torx T20
- Crayon
- Perceuse avec mèche 1/4" po (6 mm)
- Scie sauteuse
- Ruban à mesurer

Remarque : Des matériaux supplémentaires peuvent être nécessaires pour installer les plans de travail à surface solide. Contacter le fabricant du plan de travail.

Pièces comprises



Accessoires spéciaux

Vous pouvez commander les accessoires suivants auprès de votre distributeur :

- VA 461 000 Petite sauteuse en fonte
- VA 461 001 Grande sauteuse en fonte
- LV 030 000 Pierres de lave (pour recharge)
- VA 440 010 Couvercle en inox
- VA 420 000 Réglette de jonction pour associer d'autres appareils Vario de la série 400 à montage en affleurement
- VA 420 001 Réglette de jonction pour associer d'autres appareils Vario de la série 400 à montage en affleurement, avec couvercle et réglette de rattrapage

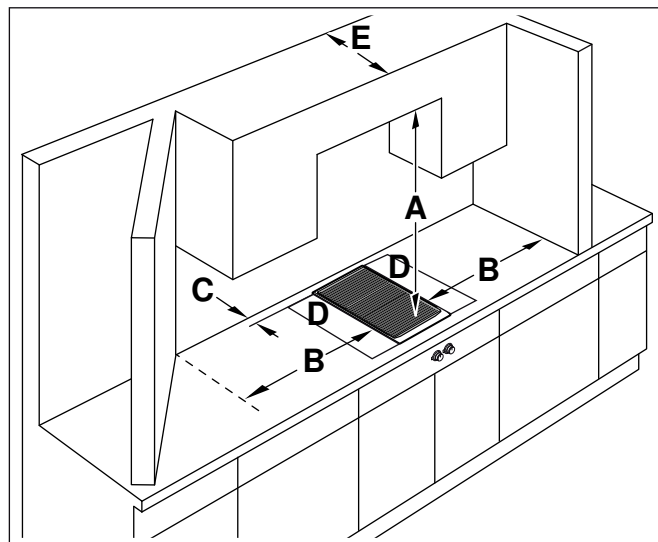
VA 420 010 Réglette de jonction pour associer d'autres appareils Vario de la série 400 à montage en saillie

VA 420 011 Réglette de jonction pour associer d'autres appareils Vario de la série 400 à montage en saillie, avec couvercle et réglette de rattrapage

VA 450 401 Rallonge 38 cm (15 ")

Utilisez l'accessoire seulement de la manière indiquée. Le fabricant n'est pas responsable de l'utilisation non conforme des accessoires.

Exigences pour les placards



Lors de l'installation du gril électrique, il faut respecter les distances minimales suivantes :

- A minimum 30" (762 mm)
- B minimum 8" (200 mm)
- C minimum 1⁹/₁₆" (40 mm)
- D Plaques de travail en acier inoxydable : si le gril est monté séparément, il faut toujours laisser les plaques de travail montées des deux côtés du gril afin de protéger le plan de travail.
Si le gril est installé près d'un autre appareil Vario, il faut monter une plaque de travail de l'autre côté, afin de protéger le plan de travail.
Si l'appareil est monté entre deux autres appareils Vario, les plaques de travail ne sont pas nécessaires.
- E maximum 13" (330 mm)

Exigences pour le plan de travail

⚠ AVERTISSEMENT

Pour réduire le risque d'inflammation des matériaux combustibles adjacents, l'installation doit laisser un dégagement d'au moins 2 po (51 mm) entre la table de cuisson et les murs latéraux et arrière.

Le plan de travail doit être de niveau et horizontal. Le plan de coupe doit rester stable après la découpe.

Certains plans de travail à haute résistance requièrent souvent des aménagements spéciaux. Par exemple, une bande thermoréfléchissante et des coins arrondis peuvent être nécessaires. Contacter le fabricant du plan de travail pour obtenir des précisions.

Préparation des meubles

Le meuble où la table de cuisson est encastrée doit résister à la chaleur jusqu'à une température de 200° F (90° C). La stabilité du meuble doit rester garantie après les opérations de découpe.

Réaliser la découpe dans le plan de travail pour un ou plusieurs appareils Vario, conformément au schéma de pose. Le plan de coupe doit faire un angle de 90° avec le plan de travail.

Les bords de coupe latéraux doivent être plans afin de garantir la fixation des ressorts de maintien sur l'appareil. Dans le cas de plans de travail multicouches, fixer éventuellement des baguettes sur les côtés de la découpe.

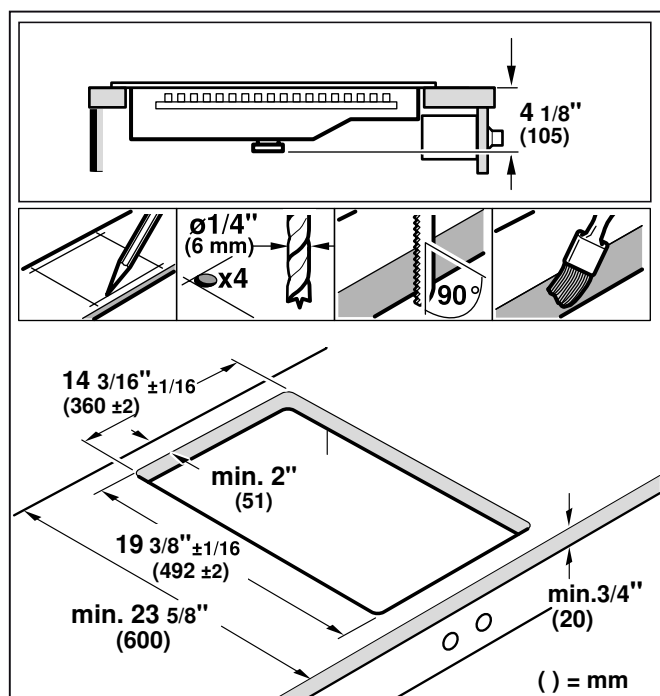
Après les opérations de découpe, éliminer les copeaux. Sceller les plans de coupe de façon qu'ils résistent à la chaleur et soient étanches à l'eau.

Respecter une distance minimale de 3/8" (10 mm) entre le dessous de l'appareil et les éléments du meuble.

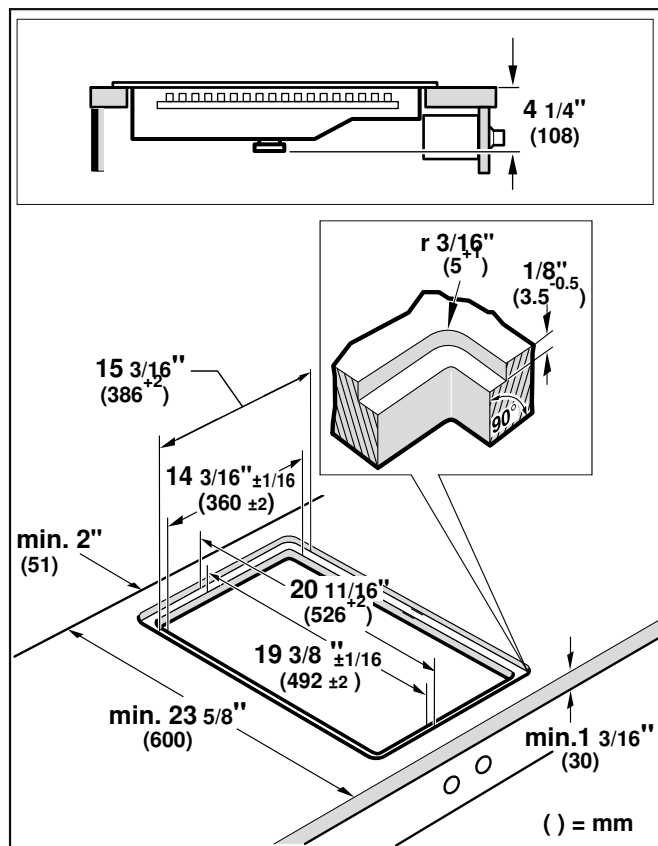
En particulier si le plan de travail est peu épais, assurer sa capacité de résistance et sa stabilité en le renforçant au moyen de structures adaptées. Tenir compte du poids des appareils, sans oublier leur contenu et leurs accessoires. Le matériau utilisé pour le renforcement doit résister à la chaleur et à l'humidité.

Remarque : Vérifier l'aplomb de l'appareil seulement après l'avoir installé dans la découpe.

Découper le plan de travail



Pose en affleurement: L'appareil peut être posé en affleurement dans un plan de travail.



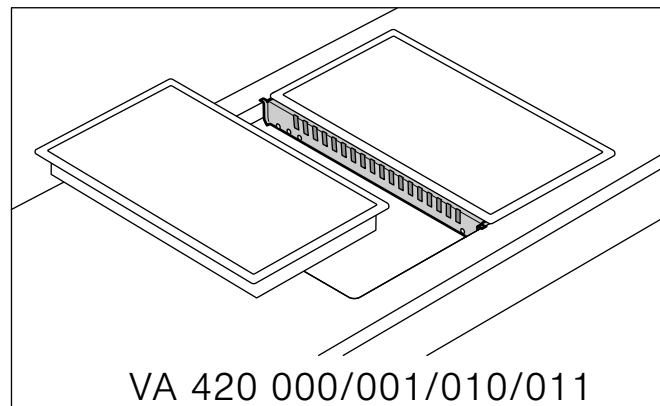
Pose en affleurement: L'appareil peut être encastré dans des plans de travail résistant à la chaleur et à l'eau, fabriqués dans les matériaux suivants :

- pierre
- matière plastique ou Corian®
- bois massif : seulement avec l'accord avec le fabricant du plan de travail (sceller les bords de coupe)
- La pose dans d'autres types de plan de travail : seulement avec l'accord avec le fabricant du plan de travail.

La pose dans de plan de travail de panneaux de particules n'est pas autorisée.

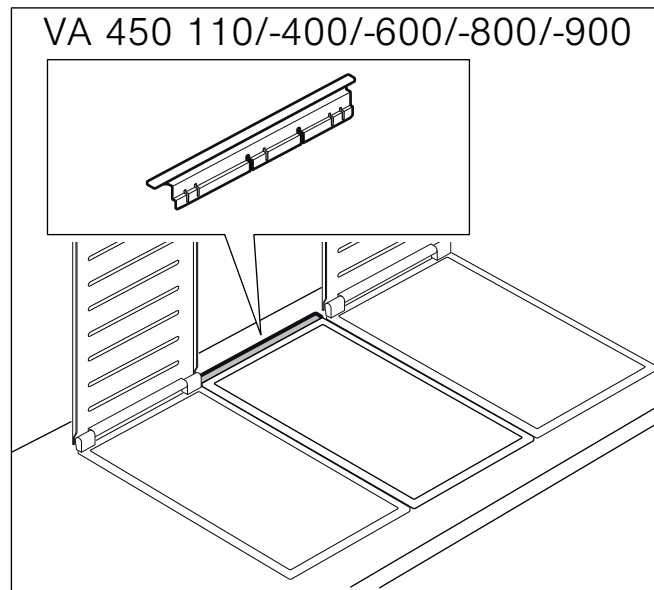
Remarque : Toutes les découpes du plan de travail doivent être faits dans un atelier spécialisé, conformément au schéma de pose. La découpe doit être nette et précise, car le bord de coupe est visible en surface. Nettoyer et dégraisser les bords de coupe avec un produit de nettoyage adéquat (respecter les instructions d'application du fabricant du silicone).

Association de plusieurs appareils Vario : Pour combiner plusieurs appareils Vario, il faut utiliser la barrette de jonction VA 420 000/001/010/011. Elle est disponible comme accessoire en option. Lors de la découpe, tenir compte de l'espace supplémentaire qui est nécessaire pour la barrette de jonction entre les appareils (voir la notice de montage VA 420 000/001/010/011).

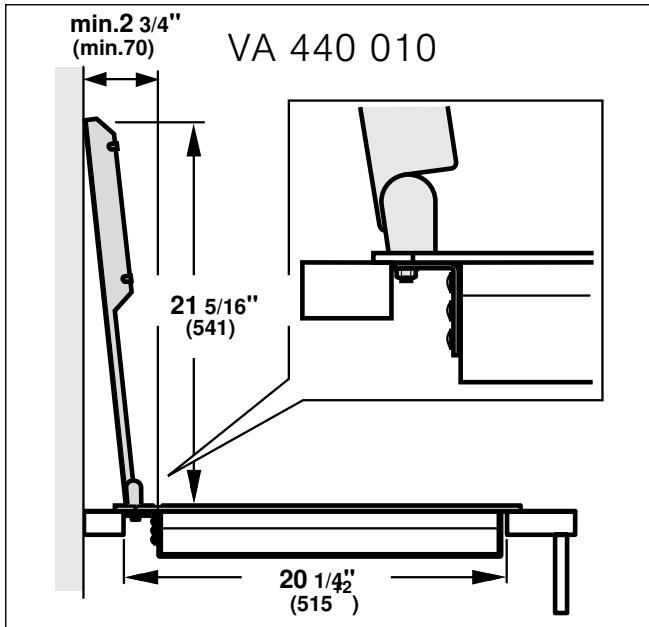


Les appareils peuvent également être installés dans des découpes séparées, en respectant une distance minimale de 2" (51 mm).

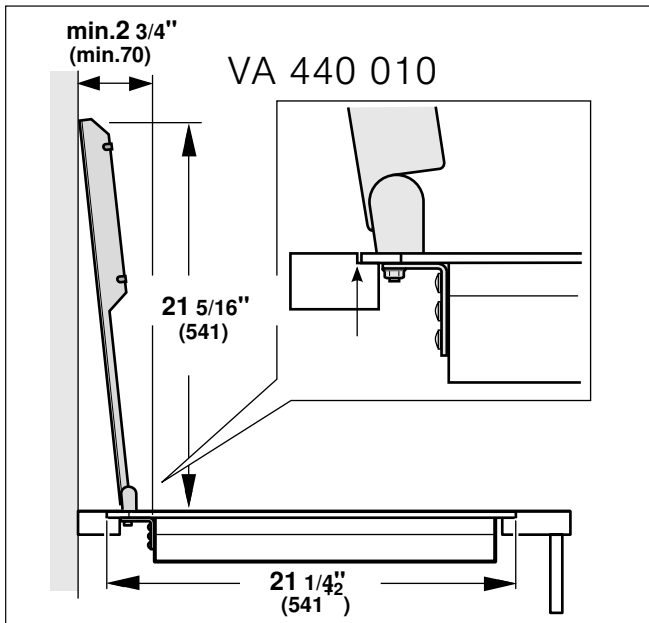
Pour associer des appareils avec et sans couvercle, il faut compenser les différences de longueur en utilisant la rallonge VA 450 110/-400/-600/-800/-900 (selon la largeur de l'appareil).



Association à un couvercle : Le couvercle VA 440 010 est disponible séparément en accessoire. Au moment de réaliser la découpe, tenir compte de l'encombrement du couvercle.



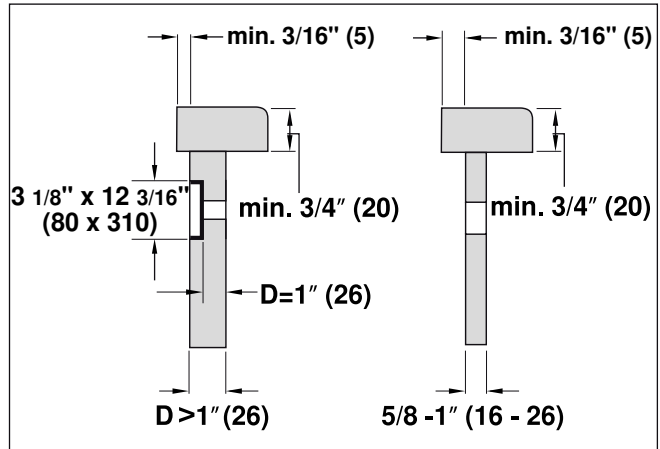
Pose en affleurement :



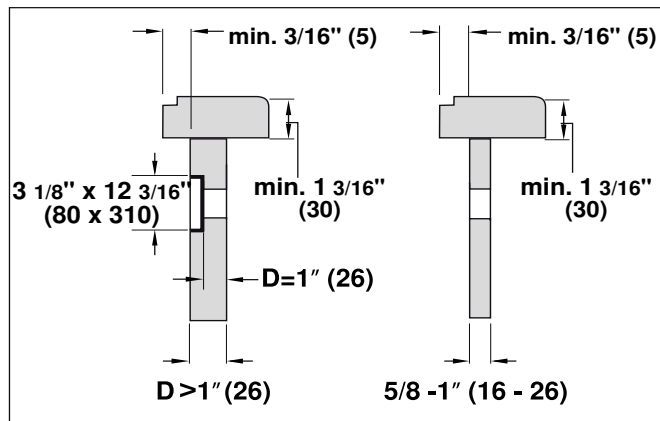
Trou pour manette de commande

Le pupitre de commande est intégrable dans le meuble bas, à hauteur de tiroir. Epaisseur du bandeau : $\frac{5}{8}$ " - 1" (16 - 26 mm)

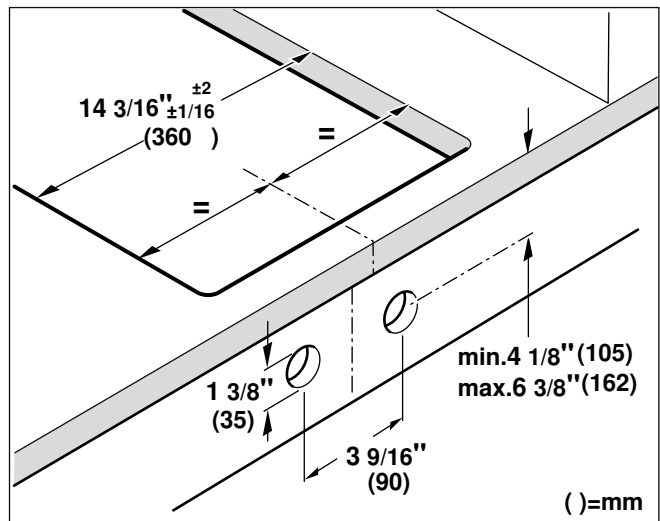
- 1 Si l'épaisseur du bandeau avant est supérieure à 1" (26 mm) : fraiser le bandeau avant, du côté arrière, à la cote $3\frac{1}{8}$ " x $12\frac{3}{16}$ " (80 x 310 mm) de façon que l'épaisseur ne soit pas supérieure à 1" (26 mm).



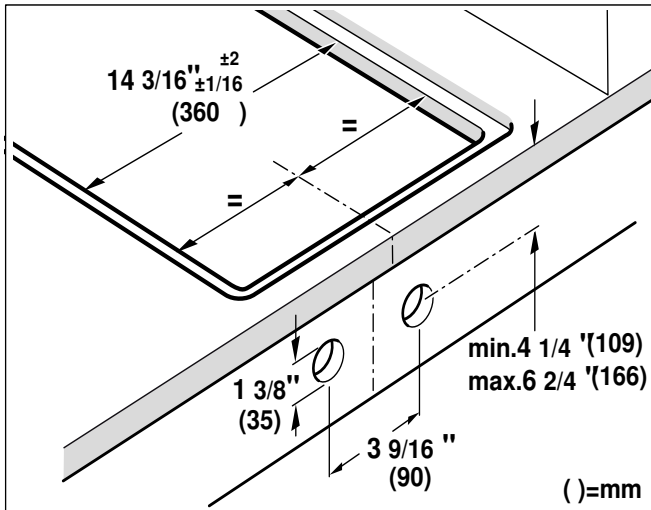
Pose en affleurement :



- 2 Selon la figure, percer un trou de $\varnothing 1\frac{3}{8}$ " (35 mm) pour fixer la manette de commande dans la façade du meuble bas. Pour positionner le trou avec précision, un gabarit de perçage est fourni.



Pose en affleurement :

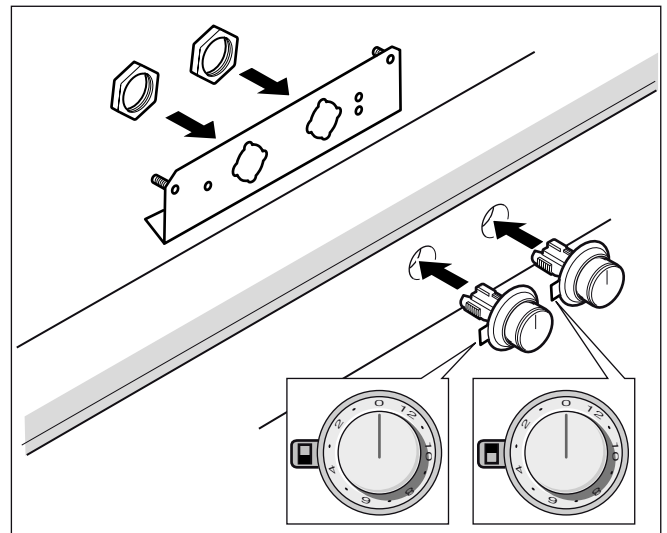


Procédure d'installation

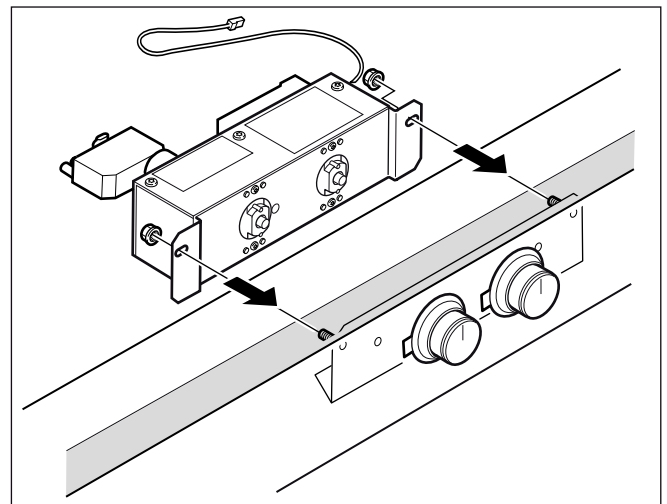
Pose du pupitre de commande

Remarque : Installer l'appareil uniquement avec son pupitre de commande.

- 1 Enlever l'emballage de la manette de commande et retirer le film de protection situé derrière les anneaux lumineux.
- 2 Ouvrir le couvercle du boîtier de branchement, sur le pupitre de commande. Fixer le cordon d'alimentation secteur selon le schéma de branchement et le sécuriser au moyen du réducteur de tension. Fermer le couvercle du boîtier de branchement.
- 3 Tenir la plaque de maintien par l'arrière contre le bandeau avant. Insérer les manettes de commande par l'avant dans les trous, et visser par l'arrière avec les écrous. Veiller à ce que les manettes de commande correspondent bien à leurs foyers.



- 4 Au moyen des écrous fournis, visser le pupitre de commande à la tôle de maintien.

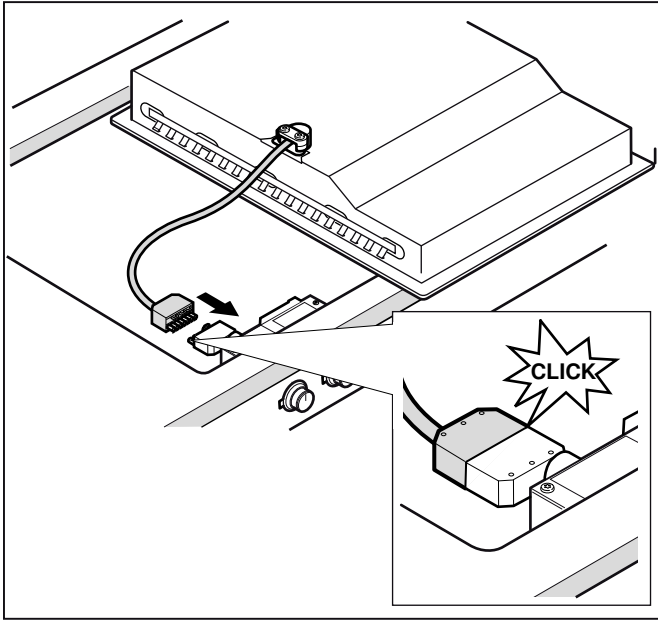


Pose de l'appareil

⚠ AVERTISSEMENT

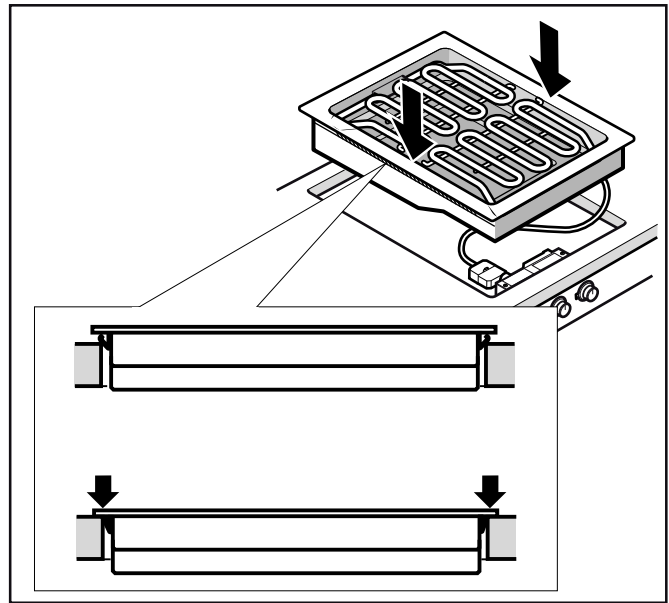
Avant tout raccordement de cordon électrique ou toute mise sous tension, assurez-vous que toutes les commandes sont en position OFF (d'arrêt).

- 1 Brancher correctement le câble reliant l'appareil au pupitre. Les connecteurs doivent se verrouiller.



- 2 Insérer l'appareil à plat dans la découpe. Appuyer fermement par le haut sur l'appareil pour bien le positionner dans la découpe.

Remarque : L'appareil doit être bien en place dans la découpe et il ne doit plus bouger (par exemple lors du nettoyage). Si la largeur de la découpe atteint la limite haute de tolérance, fixer si nécessaire des baguettes sur les côtés de la découpe.

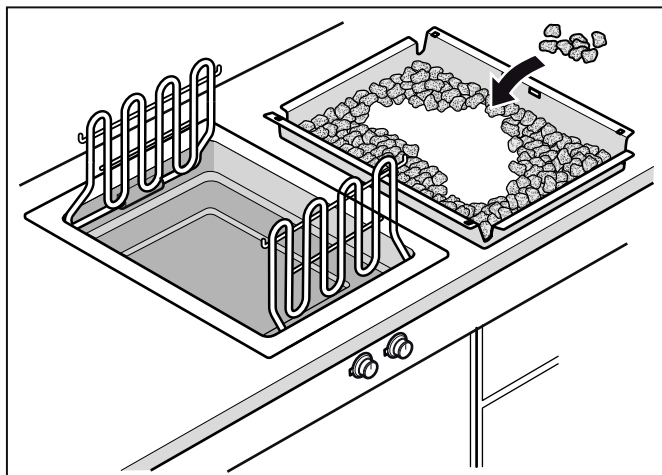


- 3 Brancher l'appareil au secteur électrique et faire un essai de fonctionnement. Si les deux anneaux lumineux visibles derrière les manettes de commande clignotent en alternance, le câble reliant le pupitre à l'appareil n'est pas branché. Vérifier la fixation du câble de jonction !

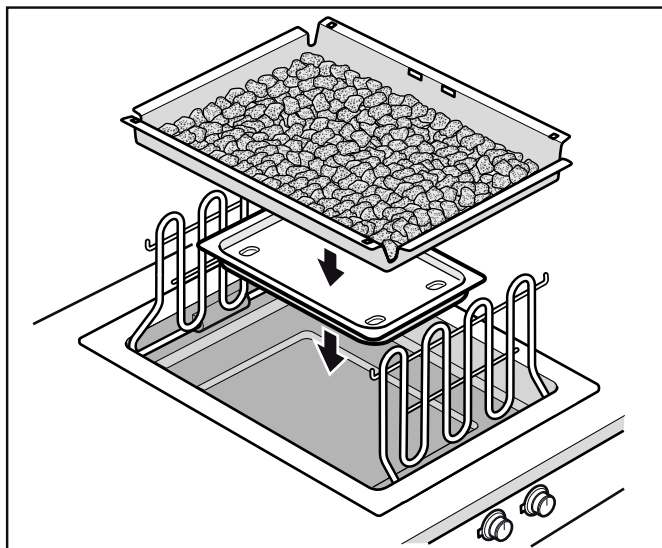
- 4 **Uniquement en cas de montage en affleurement :** il faut impérativement effectuer un essai de fonctionnement avant de faire le joint ! Garnir le joint périphérique de mastic silicone résistant à la température (exemple : OTTOSEAL® S 70). Lisser le joint au moyen du produit de lissage préconisé par le fabricant. Respecter les instructions de mise en oeuvre du mastic silicone. Attendre le séchage complet du mastic silicone (au moins 24 heures, selon la température ambiante) avant de mettre l'appareil en service.

AVIS : L'utilisation d'un mastic silicone non adapté provoque des décolorations durables des plans de travail en pierre naturelle.

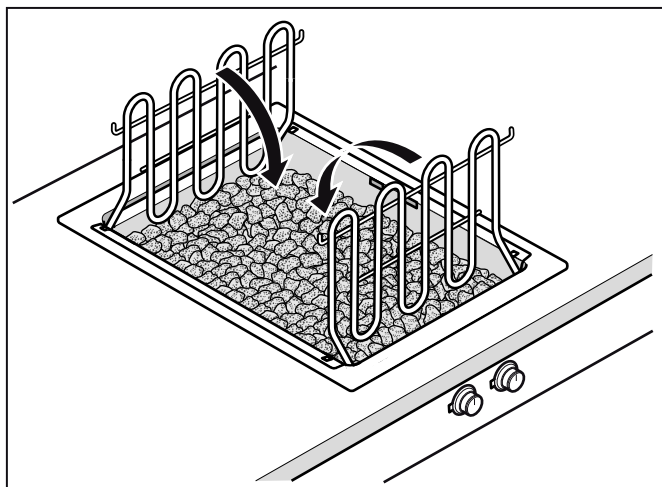
- 5 Sortir les pierres de lave du film plastique et les mettre dans le bac.



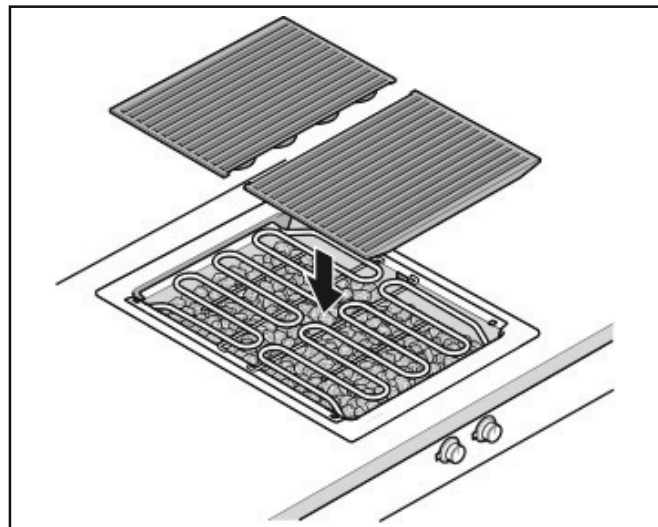
- 6 Insérer dans l'appareil la lèchefrite et le bac à pierres de lave.



- 7 Rabattre la résistance chauffante du gril vers le bas.



- 8 Poser les grilles.



Brancher l'alimentation électrique

Consulter la plaque signalétique pour en savoir plus. Pour savoir où se trouve la plaque signalétique, se reporter à la rubrique "Service après-vente".

Le courant admissible des disjoncteurs divisionnaires, la taille des câbles et les connexions doivent être conformes aux exigences du Code électrique national ou du Code électrique canadien ainsi qu'à tous les codes et règlements locaux.

Brancher le conduit souple à la boîte de jonction. Brancher les fils de sortie aux fils d'alimentation de la boîte de jonction en respectant les phases :

- noir (L1) avec noir
- rouge (L2) avec rouge
- vert avec la terre

Le câble principal doit être au moins du type SJTO 3x16 AWG 105°C. Le câble principal doit être acheté auprès d'un spécialiste agréé et raccordé par un spécialiste agréé.

Branchement avec une fiche

- La fiche doit être conforme aux normes NEMA pour fiches et prises de courant.
- L'appareil doit être correctement mis à la terre.
- La fiche d'alimentation doit être au minimum du type 6-20 P (2 broches, 3 fils avec terre).
- Le branchement de la fiche doit être fait exclusivement par un électricien qualifié.
- Poser une prise de courant avec terre conformément à la réglementation, à environ 27" (700 mm) au-dessus du sol derrière l'appareil. La prise de courant doit rester accessible après la pose de l'appareil.

Vérification de l'installation

⚠ AVERTISSEMENT

Avant tout raccordement de cordon électrique ou toute mise sous tension, assurez-vous que toutes les commandes sont en position OFF (d'arrêt).

Tout enlever de la surface de la table de cuisson.

Mettre le disjoncteur en circuit.

Vérifier que les éléments fonctionnent correctement.

Dépose de l'appareil

Mettre l'appareil hors tension. Si les appareils sont posés en affleurement, enlever le joint en silicone. Faire sortir l'appareil en le soulevant par-dessus.

⚠ ATTENTION

Risque de détérioration ! Ne pas extraire l'appareil par le haut en faisant levier sur le cadre.

Service après-vente

Si votre appareil doit être réparé, notre service après-vente est à votre disposition. Nous trouvons toujours une solution adaptée, y compris pour éviter les visites inutiles de techniciens.

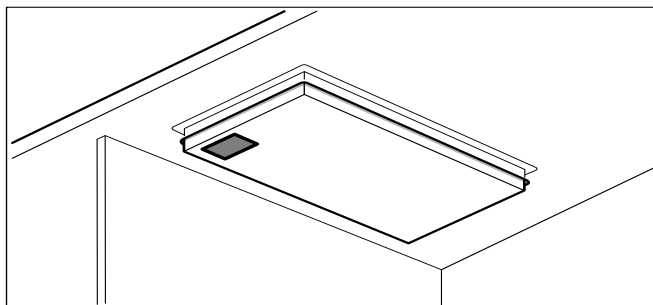
Lors de votre appel, indiquez le numéro du produit (n° E) et le numéro de série (n° FD) afin que nous puissions vous donner une réponse précise. La plaquette d'identification comportant ces numéros se trouve sur le dessous de l'appareil. Pour ne pas avoir à chercher longtemps en cas de besoin, vous pouvez inscrire ici les références de l'appareil et le numéro de téléphone du service après-vente.

N° E

N° FD

Service après-vente ☎

N'oubliez pas qu'en cas de fausse manœuvre, la visite d'un technicien d'après-vente n'est pas gratuite, même pendant la garantie.



Vous trouverez les données de contact pour tous les pays dans l'annuaire ci-joint du service après-vente.

Demande de réparation et conseils en cas de dysfonctionnement

CA 877 442 4436

toll-free

Faites confiance à la compétence du fabricant. Ainsi vous êtes assurés que la réparation sera effectuée par des techniciens formés qui possèdent les pièces de rechange d'origine pour votre appareil.

Definiciones de seguridad

ADVERTENCIA

Esto indica que pueden producirse heridas graves o incluso la muerte si no se cumple con esta advertencia.

ATENCION

Esto indica que pueden producirse heridas leves o moderadas si no se cumple con esta advertencia.

AVISO: Esto indica que pueden producirse daños en el aparato o en los bienes si no se cumple con este aviso.

Nota: Esto alerta sobre información o sugerencias importantes.

INSTRUCCIONES DE SEGURIDAD IMPORTANTES

LEA Y CONSERVE ESTAS INSTRUCCIONES

INSTALADOR: DEJE ESTAS INSTRUCCIONES CON EL ELECTRODOMÉSTICO CUANDO HAYA FINALIZADO LA INSTALACIÓN.

IMPORTANTE: CONSERVE ESTAS INSTRUCCIONES PARA USO DEL INSPECTOR DE ELECTRICIDAD LOCAL.

ADVERTENCIA

Si no sigue la información de este manual exactamente, se puede ocasionar un incendio o una descarga eléctrica que puede causar daños materiales o lesiones personales.

ADVERTENCIA

No reparar, sustituir ni quitar ninguna pieza del electrodoméstico a menos que se recomiende de forma específica en los manuales. Una instalación, servicio o mantenimiento inadecuados pueden causar lesiones o daños materiales. Consultar este manual para recibir ayuda. Todos los demás servicios debe realizarlos un agente autorizado.

Seguridad de manejo del electrodoméstico

Las superficies ocultas pueden tener bordes filosos. Proceda con cuidado al intentar tomar el electrodoméstico por la parte trasera o desde abajo.

Códigos y normas de seguridad

Este electrodoméstico cumple con una o más de las siguientes normas:

- **UL 858, Norma de seguridad para estufas eléctricas de uso doméstico (Standard for the Safety of Household Electric Ranges)**
- **UL 923, Norma de seguridad para electrodomésticos de cocción por microondas (Standard for the Safety of Microwave Cooking Appliances)**
- **UL 507, Norma de seguridad para ventiladores eléctricos (Standard for the Safety of Electric Fans)**

- **ANSI Z21.1, Norma nacional estadounidense para electrodomésticos de gas para cocinar de uso doméstico (American National Standard for Household Cooking Gas Appliances)**
- **CAN/CSA-C22.2 N.º 113-M1984, Ventiladores (Fans and Ventilators)**
- **CAN/CSA-C22.2 N.º 61-M89, Estufas de uso doméstico (Household Cooking Ranges)**

Es responsabilidad del propietario y del instalador determinar si se aplican otros requisitos y/o normas en instalaciones específicas.

Seguridad eléctrica

ADVERTENCIA

Antes de enchufar un cable eléctrico o activar el suministro eléctrico, asegurarse de que todos los controles están en la posición OFF.

Si el Código Nacional Eléctrico (o el Código Eléctrico Canadiense) así lo requiere, este electrodoméstico debe instalarse en un circuito derivado por separado.

ADVERTENCIA

Riesgo de descarga eléctrica o incendio

La conexión a tierra del marco con el cable neutro debe realizarse a través de una correa de conexión a tierra. Se prohíbe hacer la conexión a tierra a través del conductor neutro para instalaciones nuevas de circuito derivado (1996 NEC), casas rodantes y vehículos recreativos, o en un área en la que los códigos locales prohíban la conexión a tierra a través del conductor neutro.

Para instalaciones en las que se prohíbe la conexión a tierra a través del conductor neutro,

- a) desconecte la conexión del conductor neutro,
 - b) use el borne de conexión a tierra o el hilo de conexión a tierra para conectar a tierra la unidad,
 - c) conecte el borne neutro al hilo neutro del circuito derivado como lo haría usualmente (cuando vaya a conectar el electrodoméstico a través de un conjunto de cables, use un cable de 4 conductores calificado por UL para este fin).
-

Asegúrese de que el electrodoméstico sea correctamente instalado y conectado a tierra por un técnico calificado. La instalación, las conexiones eléctricas y la conexión a tierra deben cumplir con todos los códigos correspondientes.



INSTRUCCIONES DE SEGURIDAD IMPORTANTES

LEA Y CONSERVE ESTAS INSTRUCCIONES

Antes de realizar la instalación, apague la alimentación eléctrica en el panel de servicio. Trabe el panel de servicio para impedir que se encienda accidentalmente la alimentación eléctrica.

El instalador debe mostrar al propietario la ubicación del disyuntor o el fusible. Márquela para recordarla más fácilmente.

Seguridad del equipo relacionado

El electrodoméstico solamente deberá usarse si lo ha instalado un técnico calificado, de acuerdo con estas instrucciones de instalación. El fabricante no es responsable de ningún daño causado por una instalación incorrecta.

Retire toda la cinta y el embalaje antes de usar el electrodoméstico. Destruya el embalaje después de desembalar el electrodoméstico. Nunca deje que los niños jueguen con el material de embalaje.

Nunca modifique ni altere la construcción del electrodoméstico. Por ejemplo, no retire las patas niveladoras, paneles, cubiertas para cables ni soportes/tornillos antivuelco.

Para eliminar el riesgo de quemaduras o incendio al tocar unidades de la superficie calentadas, se debe evitar dejar espacio de almacenamiento en gabinetes sobre las unidades de la superficie. En el caso de que haya almacenamiento en gabinetes, se puede reducir el riesgo instalando una campana que se proyecte horizontalmente 5 pulgadas (127 mm) como mínimo de la parte inferior del gabinete.

Verifique que los gabinetes que se encuentran sobre la placa tengan 13 pulg. (330 mm) de profundidad como máximo.

Al instalar una placa sobre un horno individual, asegúrese de seguir las instrucciones de los Manuales de instalación del horno y de la placa.

Recomendaciones

Recomendamos categóricamente la instalación de una campana de ventilación arriba de este electrodoméstico. La campana debe instalarse según las instrucciones proporcionadas con la campana.

ATENCIÓN

El electrodoméstico no debe instalarse con un sistema de ventilación que disperse aire hacia abajo, en dirección a las hornillas. Este tipo de sistema de ventilación puede causar problemas de encendido y de combustión con el electrodoméstico para cocinar a gas, que pueden tener como consecuencia lesiones personales o una operación no intencional.

Advertencia en virtud de la Proposición 65 del estado de California:

ADVERTENCIA

Este producto puede exponerlo a sustancias químicas, incluyendo cloruro de vinilo, que el estado de California sabe que provocan cáncer, defectos congénitos u otro daño reproductivo. Para obtener más información, ir a la página web: www.P65Warnings.ca.gov.

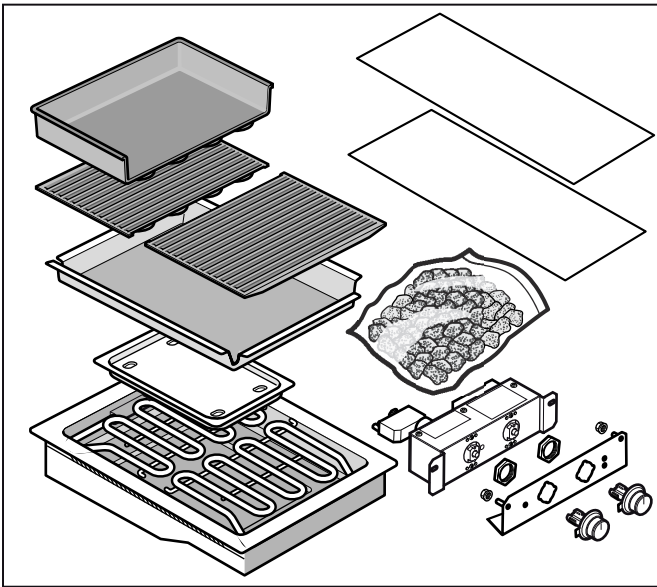
Antes de empezar

Herramientas y piezas necesarias

- Destornillador con cabeza Torx T20
- Lápiz
- Taladro con broca de 1/4" (6 mm)
- Sierra caladora
- Cinta métrica

Nota: Es posible que se necesiten otros materiales para la instalación en superficies de trabajo sólidas. Comuníquese con el fabricante de la superficie de trabajo.

Piezas incluidas



Accesorios especiales

En su comerciante especializado, puede adquirir el accesorio indicado a continuación:

- VA 461 000 Plancha de hierro fundido, tamaño pequeño
- VA 461 001 Plancha para asar de hierro fundido, tamaño grande
- LV 030 000 Piedras de lava (para reemplazar)
- VA 440 010 Cubierta de acero inoxidable del aparato
- VA 420 000 Barra de conexión para combinar con otros equipos Vario de la serie 400 al instalarlos uno al lado del otro con superficie corrida
- VA 420 001 Barra de conexión para combinar con otros equipos Vario de la serie 400 al instalarlos uno al lado del otro con cubierta de equipo/barra de compensación

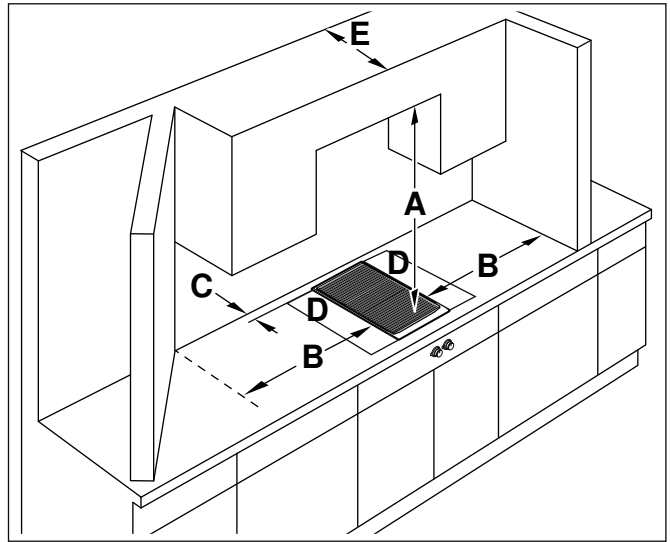
VA 420 010 Barra de conexión para combinar con otros equipos Vario de la serie 400 al instalarlos de forma superpuesta

VA 420 011 Barra de conexión para combinar con otros equipos Vario de la serie 400 al instalarlos de forma superpuesta con cubierta de equipo/barra de compensación

VA 450 401 Prolongación del aparato 15 " (38 cm)

Utilice el accesorio tal como se ha prescrito. El fabricante no se hace responsable por un uso incorrecto.

Requisitos de gabinetes



Cuando se instale la parrilla eléctrica deben respetarse los siguientes espacios mínimos:

- A Mínimo 30" (762 mm)
- B Mínimo 8" (200 mm)
- C Mínimo 1⁹/₁₆" (40 mm)
- D Superficies de trabajo de acero inoxidable: en caso de instalar la parrilla por separado, ambas superficies de trabajo deben estar montadas permanentemente en ambos lados de la parrilla con el fin de proteger la encimera.
En caso de instalar junto a otro aparato Vario, debe colocarse una superficie de trabajo en el lado opuesto para proteger la encimera.
En caso de instalar entre otros dos aparatos Vario, no se necesita ninguna superficie de trabajo.
- E Máximo 13" (330 mm)

Requisitos de la superficie de trabajo

ADVERTENCIA

Para reducir el riesgo de ignición de materiales combustibles circundantes, instale la superficie de trabajo con una distancia de, al menos, 2" (51 mm) de ambas paredes laterales y de la pared posterior.

La superficie de trabajo debe ser horizontal y estar nivelada. La estabilidad de la superficie de trabajo debe estar garantizada incluso después de haber realizado el hueco.

Por norma general, las encimeras de superficie sólida requieren instalaciones especiales. Por ejemplo, es posible que se deba utilizar cinta ignífuga y esquinas redondeadas. Póngase en contacto con el fabricante de su encimera para obtener instrucciones sobre la misma.

Preparación de los muebles de montaje

El mueble de empotrado tiene que resistir una temperatura de hasta 200° F (90° C). La estabilidad del mueble de empotrado tiene que quedar garantizada también después de los trabajos de corte para realizar un hueco.

Realice el hueco para uno o varios equipos Vario en la placa de trabajo, de acuerdo con los planos de montaje. El ángulo de la superficie de corte respecto a la placa de trabajo tiene que ser de 90°.

Los cantos laterales del corte tienen que ser planos, para garantizar una buena fijación de los resortes de sujeción en el equipo. En el caso de las placas de trabajo de varias capas, de ser necesario fije unos listones de madera a los lados del hueco.

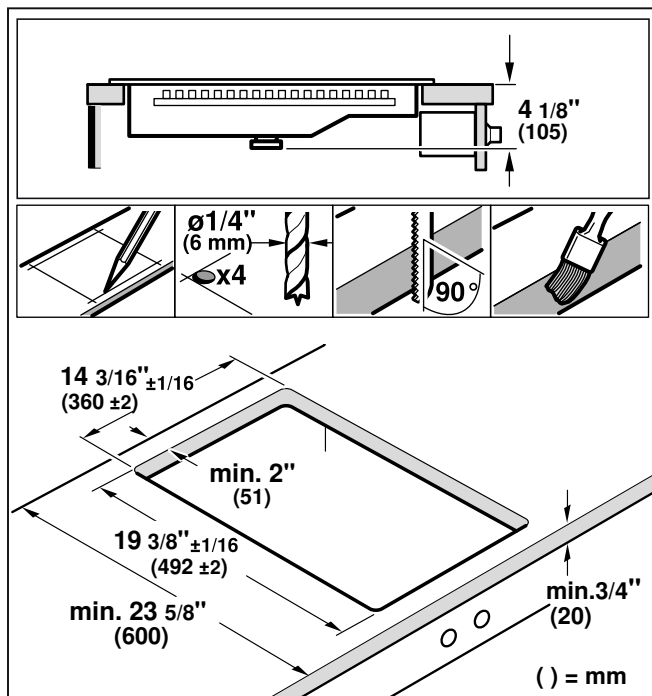
Después de los trabajos de corte, retire las virutas Selle las superficies de corte de forma que resistan el calor y sean herméticas contra el agua.

Respete la distancia mínima de 3/8" (10 mm) de la parte inferior del equipo respecto a las partes del mueble.

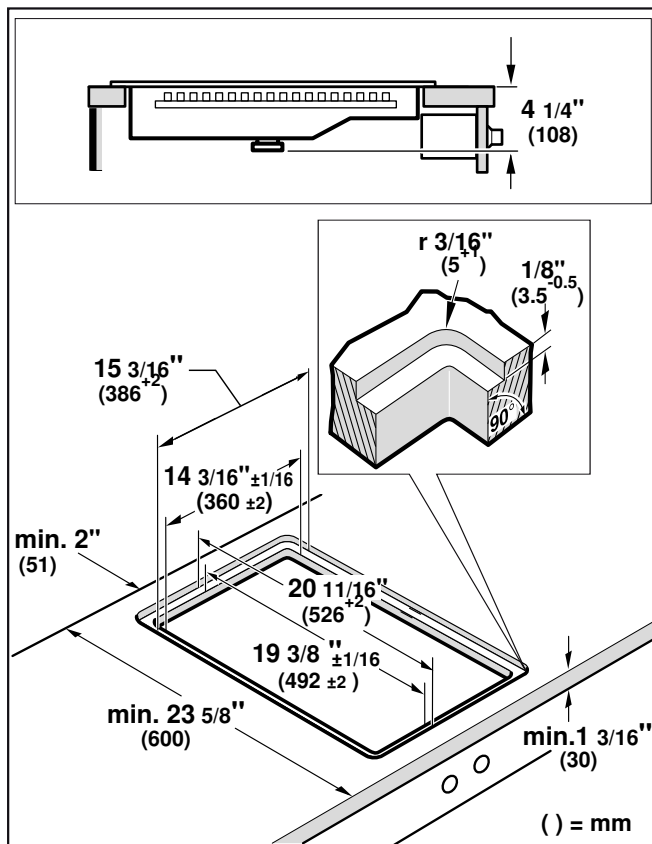
Es necesario asegurar la capacidad de carga y estabilidad a través de estructuras inferiores de apoyo adecuado, especialmente en placas de trabajo delgadas. Tome en cuenta el peso del equipo, incluyendo la carga adicional. El material de refuerzo utilizado debe ser resistente al calor y resistente a la humedad.

Nota: Verifique que el equipo está colocado de forma plana solamente después de instalarlo en el orificio de montaje.

Recortar la encimera



Montaje a ras de superficie: se puede realizar un montaje a ras de superficie de la encimera.



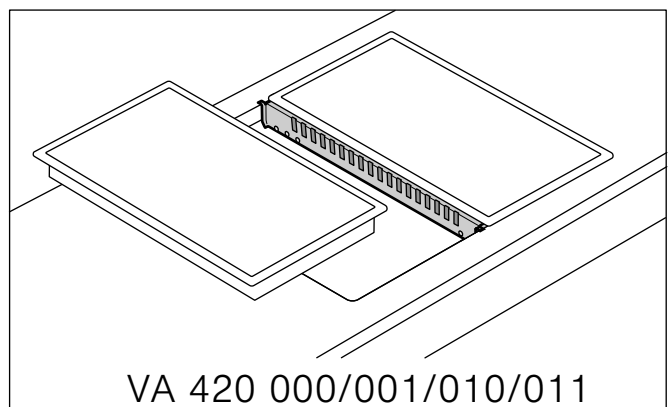
Montaje a ras de superficie: El aparato se puede montar en las siguientes encimeras resistentes a la temperatura y al agua:

- Encimeras de mármol
- Encimeras de plástico o Corian®
- Encimeras de madera maciza: Solo de acuerdo con el fabricante de la encimera (sellado de los bordes de recorte)
- Montaje en otro tipo de encimeras: solo de acuerdo con el fabricante de la encimera

No se puede realizar el montaje en encimeras de madera aglomerada.

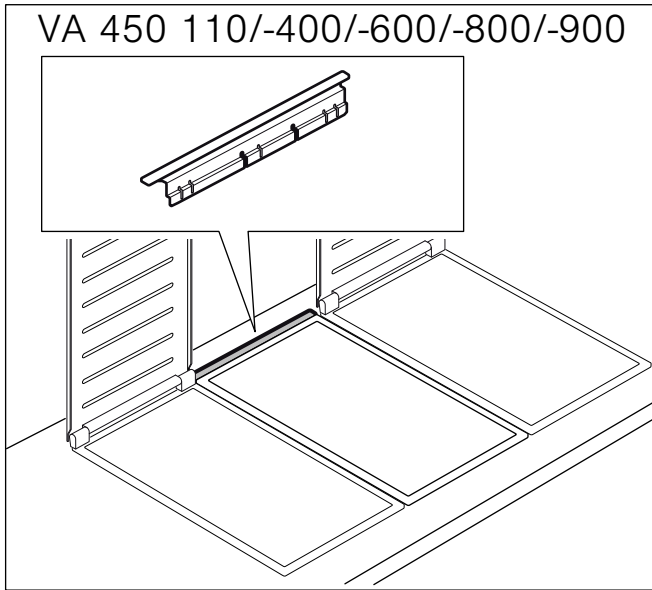
Nota: Todos los trabajos de recorte de la encimera deben ser realizados por un servicio especializado de acuerdo con el croquis de montaje. El recorte debe ser limpio y preciso, puesto que el borde cortado se ve en la superficie. Limpie y desengrase los bordes de recorte utilizando un producto de limpieza adecuado (consulte las indicaciones del fabricante de la silicona).

Combinar varios aparatos Vario: Para combinar varios aparatos Vario se requiere la barra de conexión VA 420 000/001/010/011. Esta está disponible por separado como accesorio especial. Considerar la necesidad adicional de espacio para la barra de conexión entre los aparatos al elaborar el corte (ver las Instrucciones de instalación VA 420 000/001/010/011).

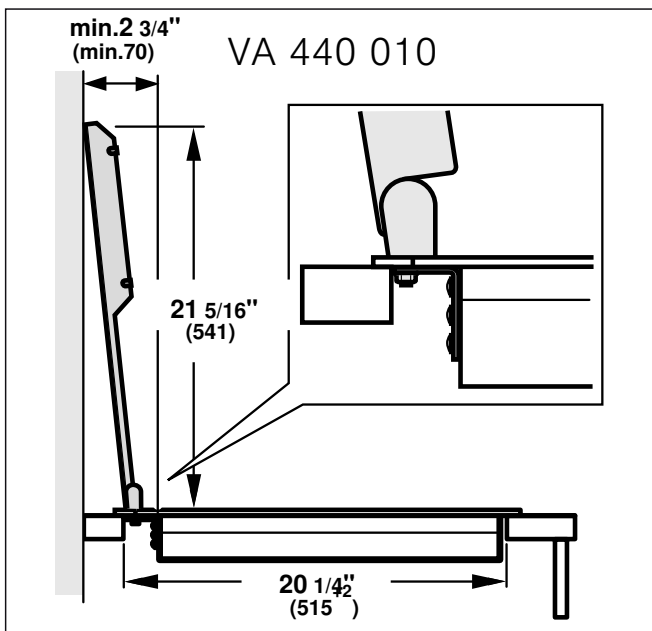


Los aparatos también se pueden montar en recortes independientes respetando las distancias mínimas de 2" (51 mm) entre aparatos.

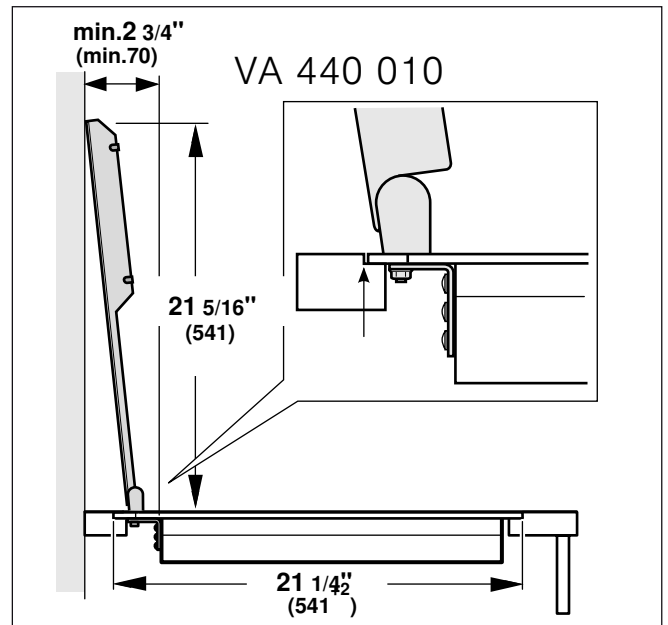
Para la combinación de aparatos con o sin cubierta de aparatos, se pueden compensar las diferencias de medidas mediante la prolongación de aparatos VA 450 110/-401/-600/-800/-900 (según el ancho del aparato).



Combinación con cubierta para el aparato: La cubierta del aparato VA 440 010 está disponible por separado como accesorio especial. Cuando haga el recorte, tenga en cuenta el espacio adicionales necesario para la cubierta del aparato.



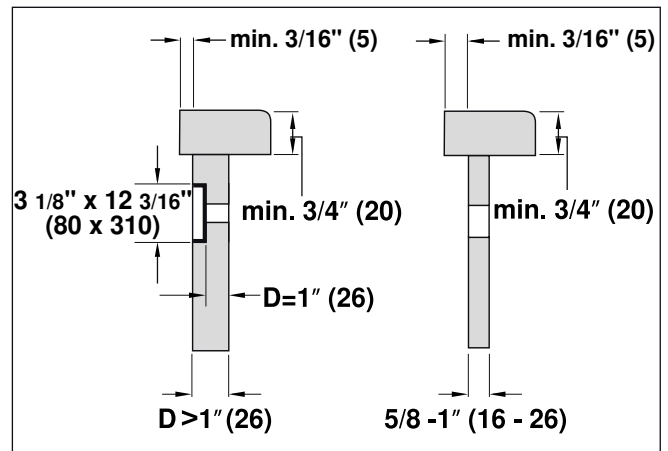
Montaje a ras de superficie:



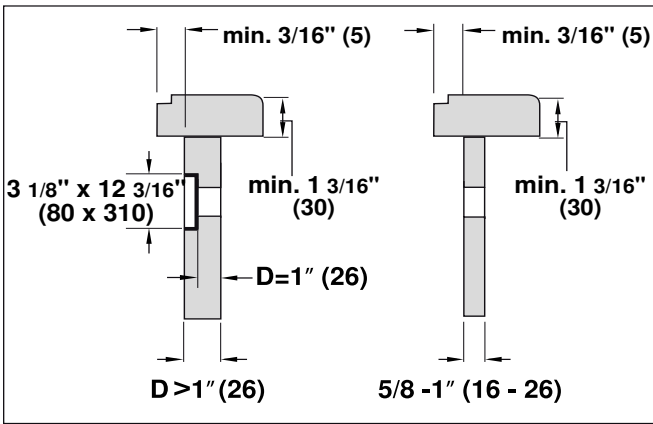
Orificio para la maneta de mando

El panel de mandos se puede integrar a la altura de los cajones en el armario inferior. Grosor del panel: $\frac{5}{8}$ " - 1" (16 - 26 mm)

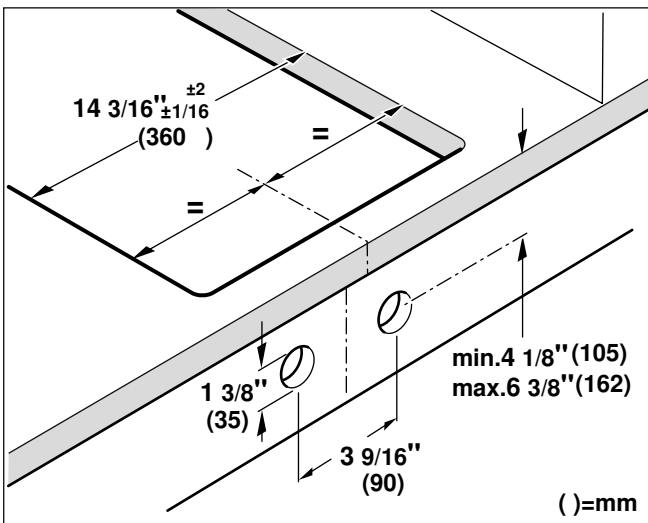
- 1 Si el panel frontal es más grueso de 1" (26 mm): rebaje la parte posterior del panel frontal a $3\frac{1}{8}$ " x $12\frac{3}{16}$ " (80 x 310 mm), de manera que su anchura no sea superior a 1" (26 mm).



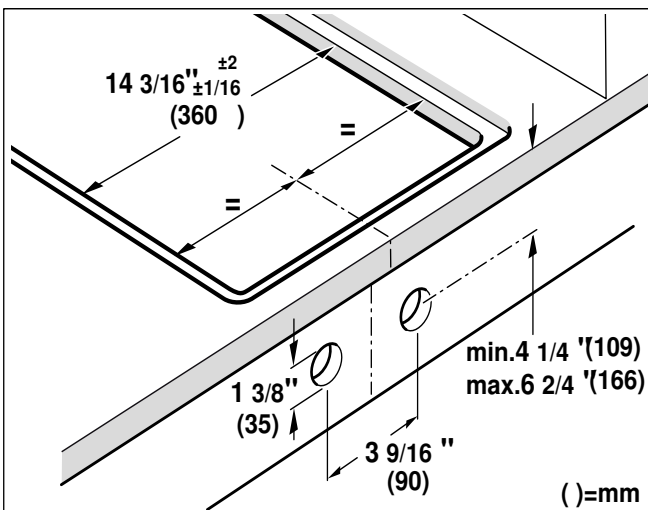
Montaje a ras de superficie:



- 2 Realice un orificio de $\varnothing 1\frac{3}{8}$ " (35 mm) para fijar la maneta de mando en la parte frontal del mueble bajo de acuerdo con la ilustración. Hay disponible una plantilla de taladrado para poder colocar el orificio en la posición exacta.



Montaje a ras de superficie:

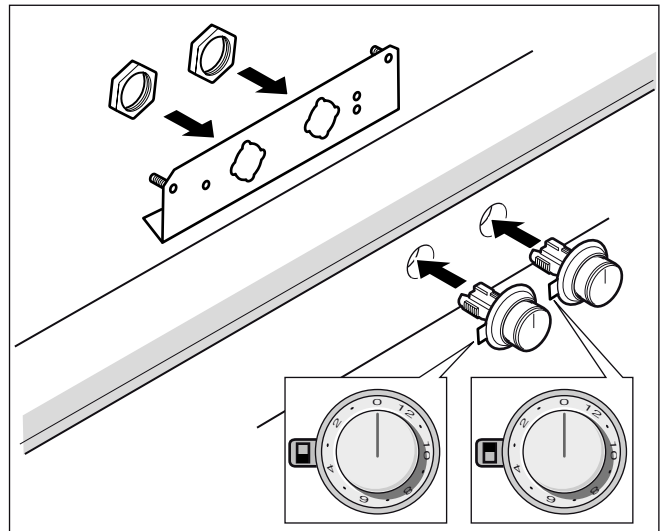


Procedimiento de instalación

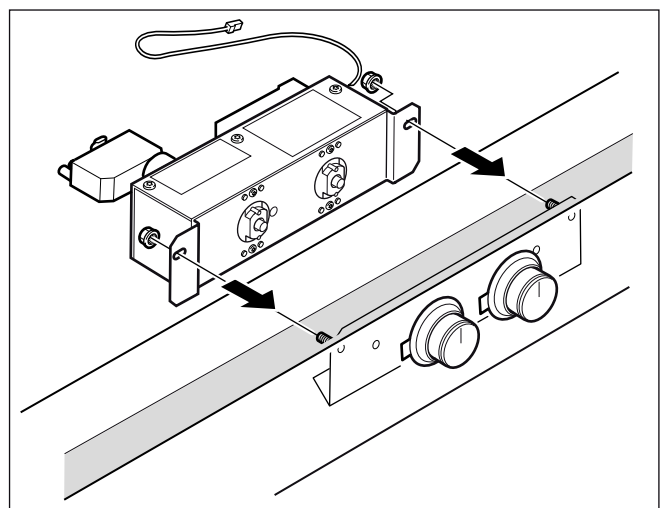
Montar el panel de mandos

Nota: El aparato únicamente se debe montar con el panel de mandos correcto.

- 1 Retire el embalaje de los módulos de mando y extraiga la lámina de protección de los anillos luminosos.
- 2 Abra la tapa de la caja de conexiones en la consola de manejo. Fije el cable de conexión según el plano de conexiones, y asegúrelo con la brida antitracción. Cierre la tapa de la caja de conexiones.
- 3 Sujete la chapa de fijación contra el panel frontal desde atrás. Introduzca los módulos de mando en los orificios desde delante y atornillela por detrás con las tuercas. Preste atención a que los módulos de mando estén asignados correctamente.



- 4 Atornille el panel de mandos a la chapa de fijación utilizando las tuercas suministradas.

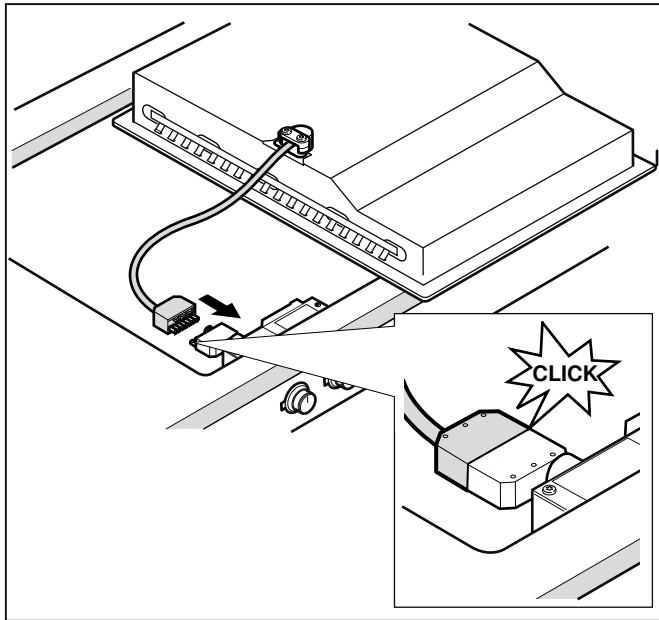


Montaje del aparato

⚠ ADVERTENCIA

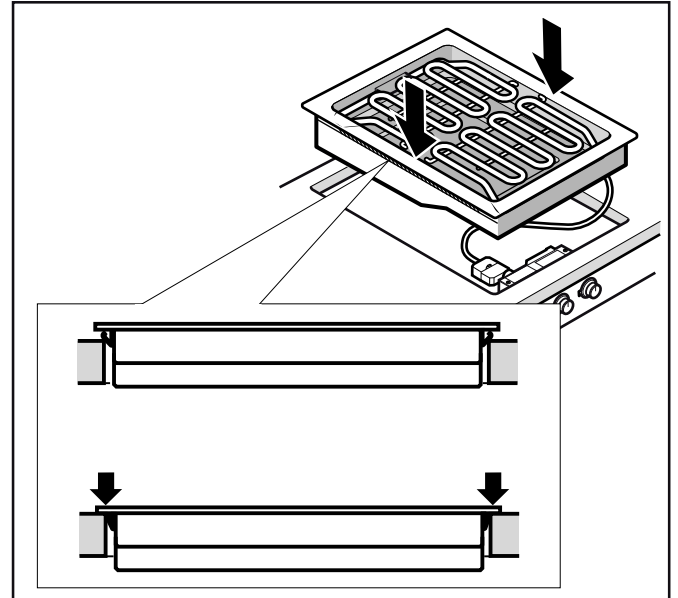
Antes de enchufar un cable eléctrico o activar el suministro eléctrico, asegurarse de que todos los controles están en la posición OFF.

- 1 Conecte firmemente el cable de conexión entre el equipo y la consola de manejo. El enchufe tiene que encajar.



- 2 Coloque el equipo de forma uniforme en el hueco. Presione firmemente desde arriba hacia dentro del hueco.

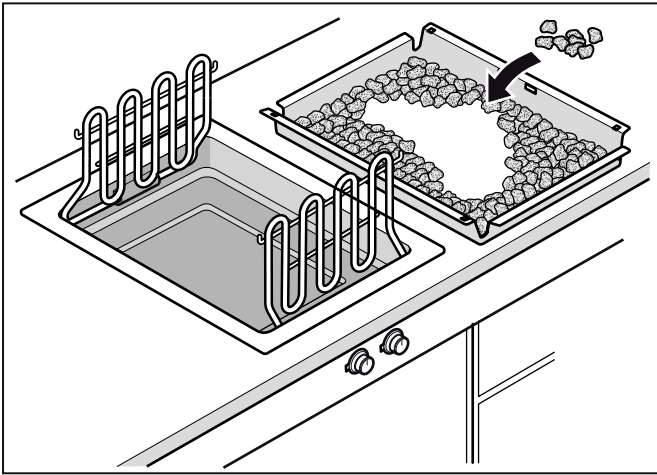
Nota: El equipo tiene que quedar firmemente fijado en el hueco y no puede moverse (por ejemplo, al realizar la limpieza). Si el ancho del hueco alcanza el nivel máximo de tolerancia, de ser necesario fije unos listones de madera en los lados del hueco.



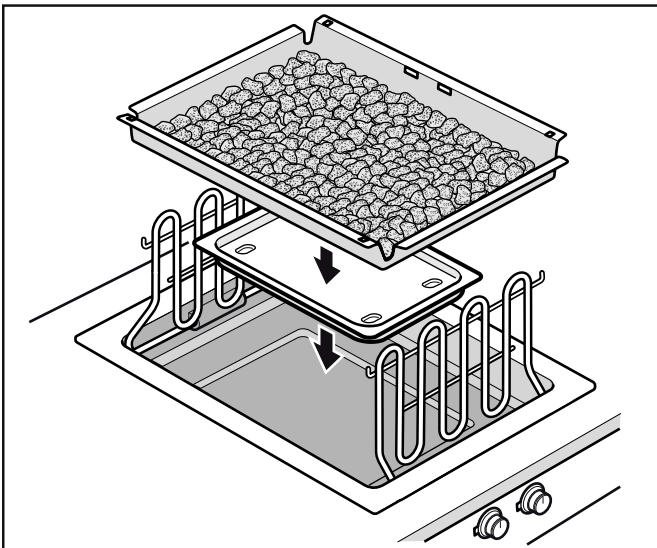
- 3 Conecte el equipo a la red y verifique su funcionamiento. Si están parpadeando ambos anillos luminosos alternadamente detrás de las perillas de mando, no está conectado el cable de conexión entre la consola de mando y el equipo. ¡Verifique que esté bien colocado el cable de conexión!
- 4 **Sólo para modelos con diseño empotrado a nivel:** ¡Antes de cubrir las rendijas, lleve a cabo sin falta una prueba de funcionamiento! La rendija circundante se debe cubrir con un pegamento de silicón adecuado, resistente a altas temperaturas (p. ej. OTTOSEAL® p. 70). Aplane la rendija de cierre hermético con el medio de aplanado recomendado por el fabricante. Tome en cuenta las indicaciones de trabajo del pegamento de silicón. Ponga el equipo en funcionamiento solamente hasta que el pegamento de silicón se haya secado totalmente (por lo menos 24 horas, según la temperatura ambiente).

AVISO: El pegamento de silicón inadecuado produce decoloraciones permanentes en las placas de trabajo de piedra natural.

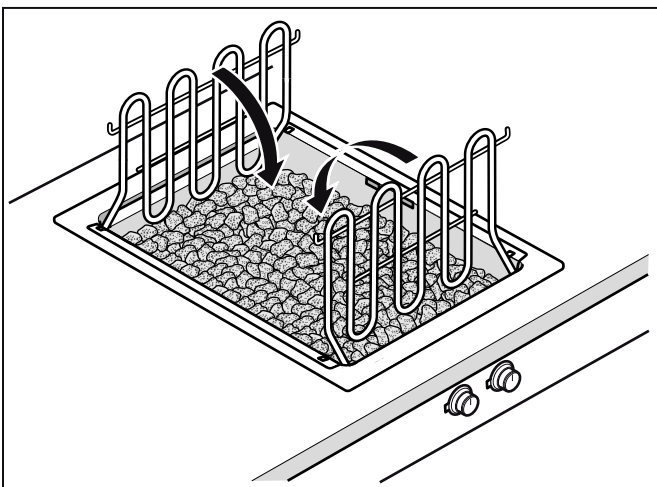
- 5 Saque las piedras volcánicas de su envoltura y colóquelas en la tina correspondiente.



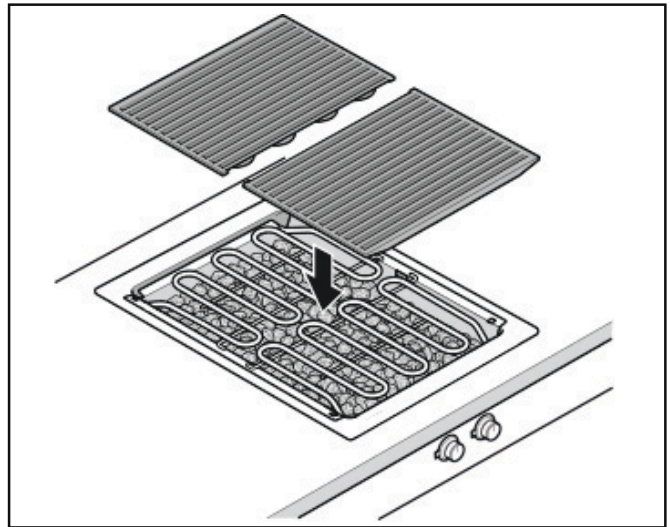
- 6 Coloque en el equipo la bandeja para grasa y la tina para las piedras volcánicas.



- 7 Incline hacia abajo los radiadores.



- 8 Coloque las parrillas.



Conexión de la alimentación eléctrica

Para más información, véase la placa de características. Véase la ubicación de la placa de características en "Servicio".

El amperaje máximo de los disyuntores derivados, la sección de los cables y las conexiones deben ser conformes con los requisitos del Reglamento electrotécnico nacional o el Reglamento eléctrico canadiense, así como con todos los demás reglamentos y disposiciones locales.

Conectar un conducto flexible a la caja de conexión. Conectar los cables a la fase correcta de los cables de alimentación de la caja de conexión:

- Negro (L1) a negro
- Rojo (L2) a rojo
- Verde a masa

El cable de red debe corresponderse, como mínimo, con el tipo SJTO 3x16 AWG 105°C. La compra y la conexión del cable de red deben realizarse únicamente por medio de un especialista autorizado.

Conexión con un enchufe

- El enchufe debe ser conforme con las CONFIGURACIONES NEMA PARA ENCHUFES Y CAJAS.
- El aparato debe estar debidamente conectado a tierra.
- El enchufe debe ser, como mínimo, de tipo 6-20 P (puesta a tierra de 2 polos y 3 conductores).
- La conexión del enchufe debe ser realizada únicamente por un técnico electricista cualificado.

- Instalar una base de enchufe aprox. 27" (700 mm) por encima del suelo y detrás del aparato de acuerdo con la normativa. Debe garantizarse el acceso a la base de enchufe después de su instalación.

Pruebe la instalación

⚠ ADVERTENCIA

Antes de enchufar un cable eléctrico o activar el suministro eléctrico, asegurarse de que todos los controles están en la posición OFF.

Retire todos los objetos de la superficie de la placa.

Encienda el disyuntor.

Verifique que los elementos funcionen correctamente.

Desmontaje del aparato

Desconecte el aparato de la corriente. En los aparatos montados a ras de superficie, retire la junta de silicona. Extraiga el aparato presionando desde abajo.

⚠ ATENCION

¡Daños en el aparato! No intente extraer el aparato haciendo palanca desde arriba.

Servicio de atención al cliente

Si su aparato necesita una reparación, nuestro servicio de atención al cliente estará encantado de ayudarle. Siempre encontramos la solución adecuada, incluso para evitar visitas innecesarias de los técnicos.

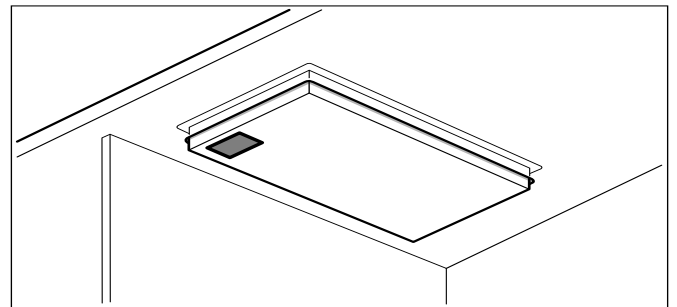
Cuando llame por teléfono, indique la referencia del producto (Nº E) y el número de fabricación (Nº FD) para que podamos ofrecerle un servicio cualificado. La placa de identificación con los números correspondientes los encontrará en la parte inferior del aparato. Para evitar tener que buscar los datos de su aparato cuando los precise, es aconsejable anotarlos aquí conjuntamente con el número de teléfono del Servicio de atención al cliente.

Nº E.

Nº FD.

Servicio de atención al cliente ☎

Tenga en cuenta que la visita del técnico del servicio de atención al cliente no es gratuito en caso de que el mal funcionamiento sea debido a un manejo incorrecto del aparato.



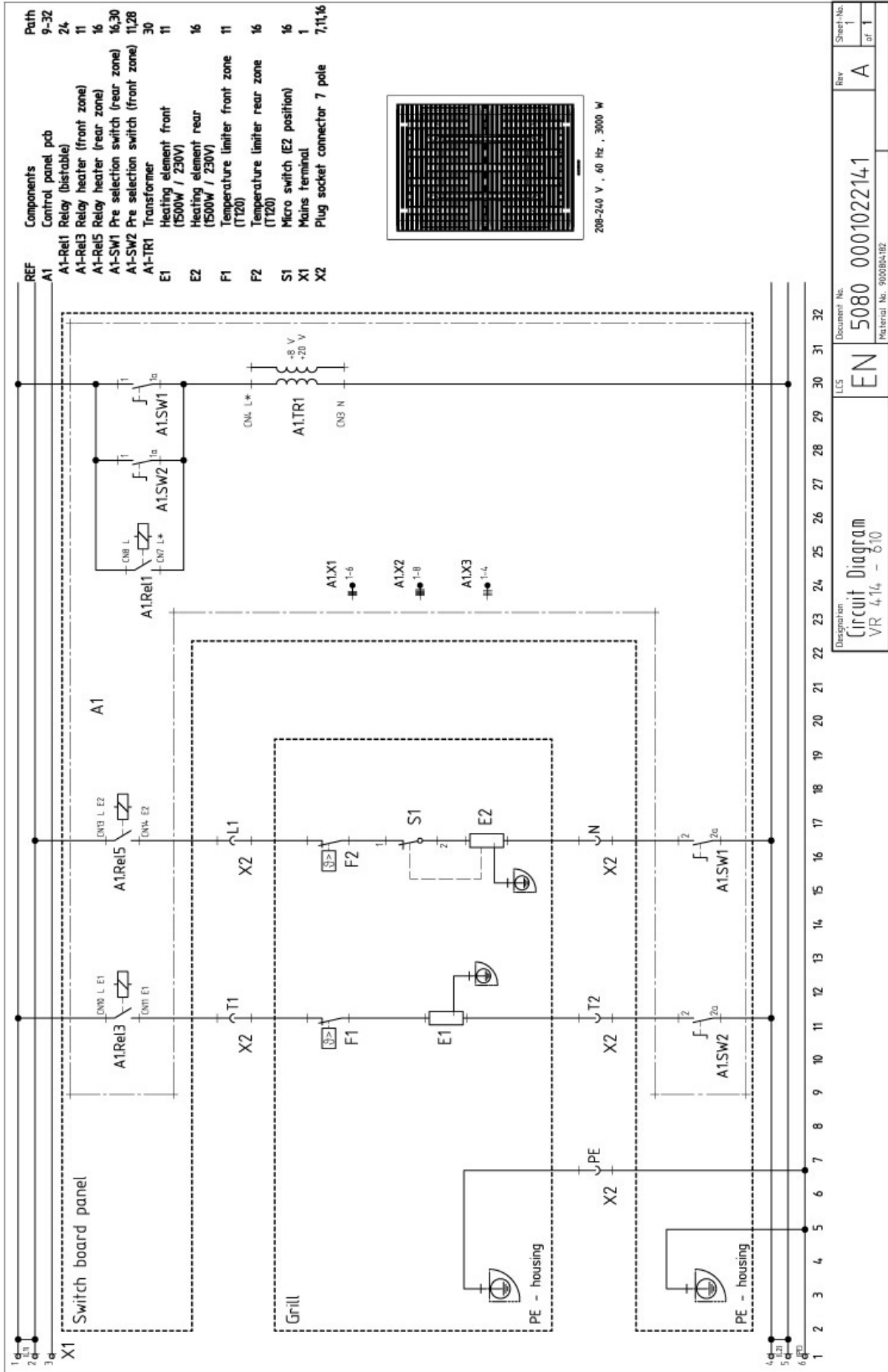
Las señas de las delegaciones internacionales figuran en la lista adjunta de centros y delegaciones del Servicio de Asistencia Técnica Oficial.

Solicitud de reparación y asesoramiento en caso de averías

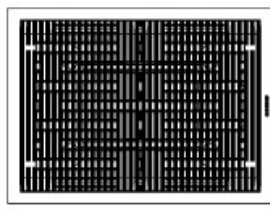
US 877 442 4436
toll-free

Confíe en la competencia del fabricante. De esa forma se asegura de que la reparación se lleva a cabo por personal técnico debidamente instruido, equipado con las piezas originales y de repuesto necesarias para su aparato.

The reproduction, transmission or use of this document or its contents is not permitted without express written authority. Offenders will be liable for damages. All rights including rights created by patent grant or registration or a utility model or design are reserved. Copyright reserved.



REF	Components	Path
A1	Control panel pcb	9-32
A1-Rel1	Relay (bistable)	24
A1-Rel3	Relay heater (front zone)	11
A1-Rel5	Relay heater (rear zone)	16
A1-SW1	Pre selection switch (rear zone)	16,30
A1-SW2	Pre selection switch (front zone)	11,28
A1-TR1	Transformer	30
E1	Heating element front (1500W / 230V)	11
E2	Heating element rear (1500W / 230V)	16
F1	Temperature limiter front zone (T120)	11
F2	Temperature limiter rear zone (T120)	16
S1	Micro switch (E2 position)	16
X1	Mains terminal	1
X2	Plug socket connector 7 pole	7,11,16



200-240 V , 60 Hz , 3000 W

Document No.	5080 0001022141	Rev	A	Sheet No.	1
Designation	Circuit Diagram	LCS	EN	of	1
Material No.	900084-02				

Released

Gaggenau

BSH Home Appliance Corporation
1901 Main Street, Suite 600
Irvine, CA 92614
+1-877-442-4436

www.gaggenau.com/us

© 2018 BSH Home Appliances

Gaggenau Hausgeräte GmbH

Carl-Wery-Straße 34
81739 München
GERMANY

GAGGENAU



9000708534 en-us, es-mx, fr-ca (980605)