

**Gaggenau**

Installation instructions.....2  
Instructions d'installation..... 13  
Instrucciones de instalación.....24

# VI 414 610

Induction wok

Wok à induction

Wok de inducción

---

## Safety Definitions

---

---

**⚠ WARNING**

This indicates that death or serious injuries may occur as a result of non-observance of this warning.

---

---

**⚠ CAUTION**

This indicates that minor or moderate injuries may occur as a result of non-observance of this warning.

---

**NOTICE:** This indicates that damage to the appliance or property may occur as a result of non-compliance with this advisory.

**Note:** This alerts you to important information and/or tips.



# IMPORTANT SAFETY INSTRUCTIONS

READ AND SAVE THESE INSTRUCTIONS

IMPORTANT: THE APPLIANCE HAS TO BE INSTALLED BY A QUALIFIED INSTALLER.

INSTALLER: LEAVE THESE INSTRUCTIONS WITH THE APPLIANCE AFTER INSTALLATION IS COMPLETE.

IMPORTANT: SAVE THESE INSTRUCTIONS FOR THE LOCAL ELECTRICAL INSPECTOR'S USE.

---

## WARNING

If the information in this manual is not followed exactly, fire or shock may result causing property damage or personal injury.

---

---

## WARNING

Do not repair, replace or remove any part of the appliance unless specifically recommended in the manuals. Improper installation, service or maintenance can cause injury or property damage. Refer to this manual for guidance. All other servicing should be done by a qualified technician.

---

Remove all tape and packaging before using the appliance. Destroy the packaging after unpacking the appliance. Never allow children to play with packaging material.

Hidden surfaces may have sharp edges. Use caution when reaching behind or under appliance.

Improper installation can mean to lose the warranty.

## Safety Codes and Standards

This appliance complies with one or more of the following Standards:

- **UL 858, The Standard for the Safety of Household Electric Ranges**
- **UL 507, The Standard for the Safety of Electric Fans**
- **CAN/CSA-C22.2 No. 113-M1984 Fans and Ventilators**
- **CAN/CSA-C22.2 No. 61-M89 Household Cooking Ranges**

It is the responsibility of the owner and the installer to determine if additional requirements and/or standards apply to specific installations.

## Electric Safety

---

### WARNING

Before you plug in an electrical cord or turn on power supply, make sure all controls are in the OFF position.

---

If required by the National Electrical Code (or Canadian Electrical Code), this appliance must be installed on a separate branch circuit.

The circuit breaker should have a contact separation of at least 3 mm on all poles.

---

### WARNING

#### Risk of electrical shock or fire

Frame grounded to neutral through a ground strap. Grounding through the neutral conductor is prohibited for new branch-circuit installations (1996 NEC), mobile homes, and recreational vehicles, or in an area where local codes prohibit grounding through the neutral conductor.

For installations where grounding through the neutral conductor is prohibited,

- a) disconnect the link from the neutral,
  - b) use grounding terminal or lead to ground unit,
  - c) connect neutral terminal to lead branch circuit neutral in usual manner (when the appliance is to be connected by means of a cord kit, use a UL listed 4-conductor cord for this purpose).
- 

Be sure your appliance is properly installed and grounded by a qualified technician. Installation, electrical connections and grounding must comply with all applicable codes.

Before installing, turn power OFF at the service panel. Lock service panel to prevent power from being turned ON accidentally.

Installer – show the owner the location of the circuit breaker or fuse. Mark it for easy reference.

## Related Equipment Safety

The appliance is only guaranteed safe to use if installed by a specialist in accordance with these installation instructions. The installer is liable for any damage resulting from incorrect installation.

Never modify or alter the construction of the appliance. For example, do not remove leveling legs, panels, wire covers or anti-tip brackets/screws.



# IMPORTANT SAFETY INSTRUCTIONS

READ AND SAVE THESE INSTRUCTIONS

To eliminate the risk of burns or fire by reaching over heated surface units, cabinet storage space located above the surface units should be avoided. If cabinet storage is to be provided, the risk can be reduced by installing a hood that projects horizontally a minimum of 5 inches (127 mm) beyond the bottom of the cabinet.

Verify that cabinets above the cooktop are a maximum of 13" (330 mm) deep.

Under the stovetop, no refrigerators, dishwashers, ovens without ventilation or washing machines must be installed.

**Note:** We strongly recommend the installation of a ventilation system with this appliance.

## State of California Proposition 65

### Warnings

---

#### WARNING

This product contains chemicals known to the State of California to cause cancer, birth defects or other reproductive harm.

---

---

## Before You Begin

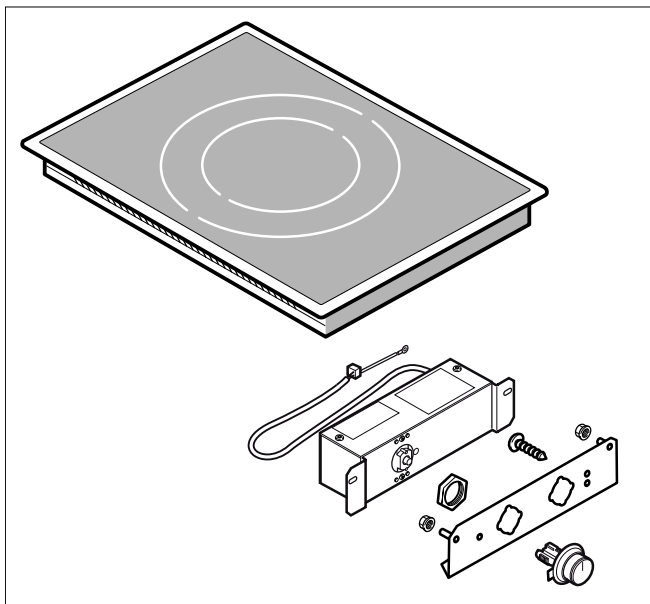
---

### Tools and Parts Needed

- Phillips Head Screwdriver
- Pencil
- Drill with 1/4" (6 mm) bit
- Jigsaw
- Tape Measure

**Note:** Additional materials may be necessary for installation in solid surface countertops. Contact the countertop manufacturer.

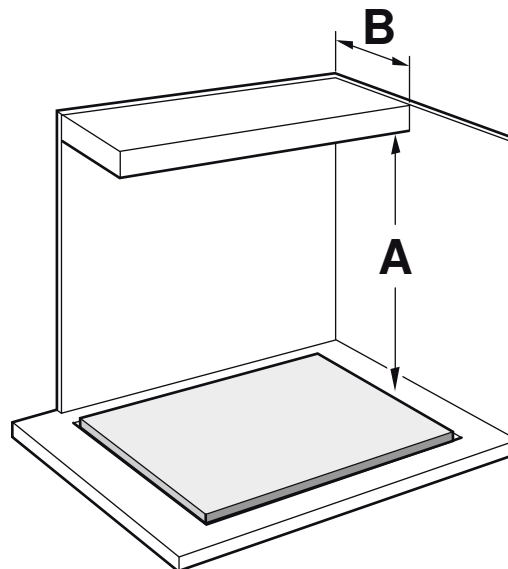
### Parts Included



## Cabinet Requirements

The distance from the top of the cooktop to the bottom of cabinets above must be a minimum of  $A=30"$  (762 mm). This distance can be reduced to  $A=24"$  (610 mm) when the bottom of the wood or metal cabinet is protected by not less than 1/4" (6.35 mm) flame-retardant millboard covered with not less than no. 28 gauge sheet metal, 0.015" (0.4 mm) stainless steel, 0.024" (0.6 mm) aluminum or 0.020" (0.5 mm) copper.

Verify that the cabinets above the cooktop are a maximum of  $B=13"$  (330 mm) deep.



## Countertop Requirements

---

### ⚠ WARNING

To reduce the risk of ignition of surrounding combustible materials, install at least 2" (51 mm) from both sidewalls and the rear wall.

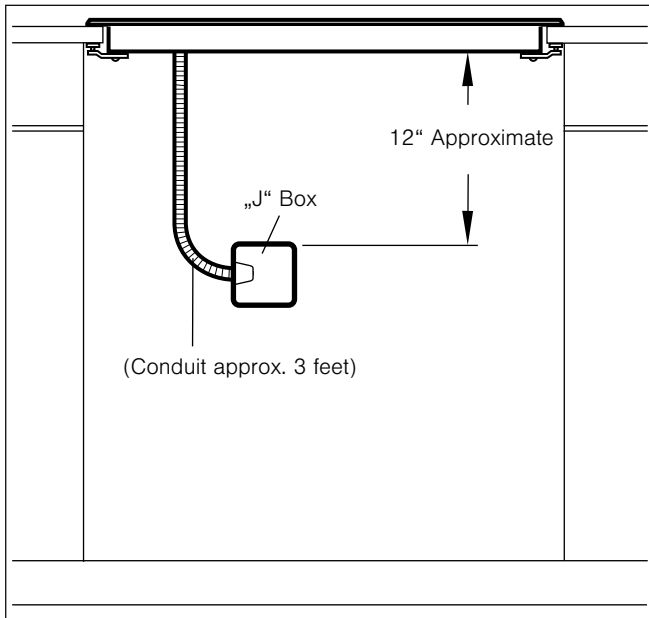
---

The countertop must be level and horizontal. The stability of the countertop must be maintained after the cut-out has been made.

Solid surface countertops often require special installations. For example, heat-reflective tape and rounded corners may be necessary. Contact the countertop manufacturer for instructions specific to your countertop.

## Electrical requirements

You can find the identification plate with the electrical specifications on the underside of the appliance. The junction box must be located within 3 feet of the cooktop connection. It should be easily accessible for service purposes.



### Power Supply

Models VI 414 610, VI 424 610

20 Amp circuit breaker

240 Volt, 3 Wire, 60 Hz

208 Volt, 3 Wire, 60 Hz

All with 39" (1 m) flexible conduit (included)

## Prepare Installation Space

The kitchen unit must be heat-resistant to at least 200° F (90° C). The stability of the unit must be maintained after producing the cut-out.

Produce the cut-out in the countertop for one or more Vario appliances as shown in the installation sketch. The angle between the cut surface and the countertop must be 90°.

The cut edges at the sides must be flat to ensure a good fit of the retaining springs on the appliance. In laminated worktops, it may be necessary to fit strips at the sides of the cut-out.

Remove shavings after cutting. Seal cut surfaces for resistance to heat and so they are watertight.

Pay attention to a minimum gap of 3/8" (10 mm) from the underside of the appliance to kitchen units.

The worktop must be reinforced if it is less than 20 mm (3/4") thick when installed overlapping or less than 30 mm (1 3/16") when installed flush. Otherwise, it is not stable enough. Reinforcement material used must be resistant to heat and moisture.

### Notes

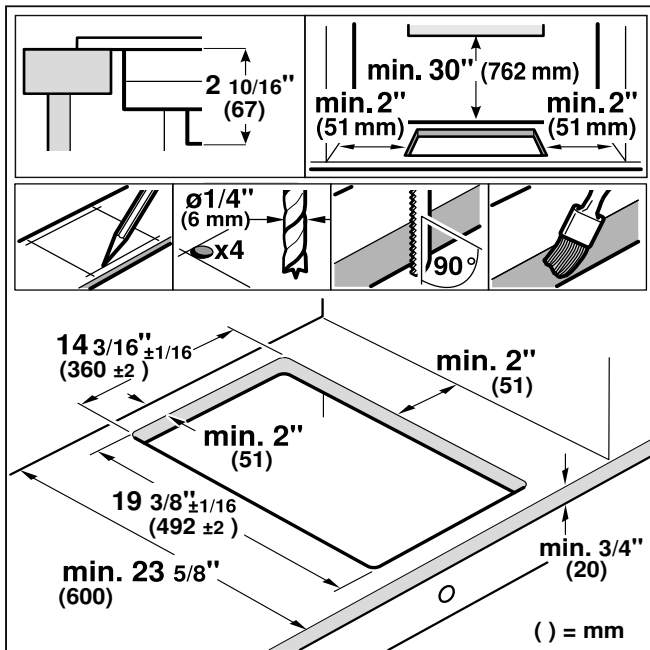
- The worktop where the appliance is installed should be able to support a weight of approximately 60 kg.
- The appliance levelling should only be checked after it is installed in the gap for the built-in unit.

The worktop must be reinforced if it is less than 20 mm (3/4") thick when installed overlapping or less than 30 mm (1 3/16") when installed flush. Otherwise, it is not stable enough. Reinforcement material used must be resistant to heat and moisture.

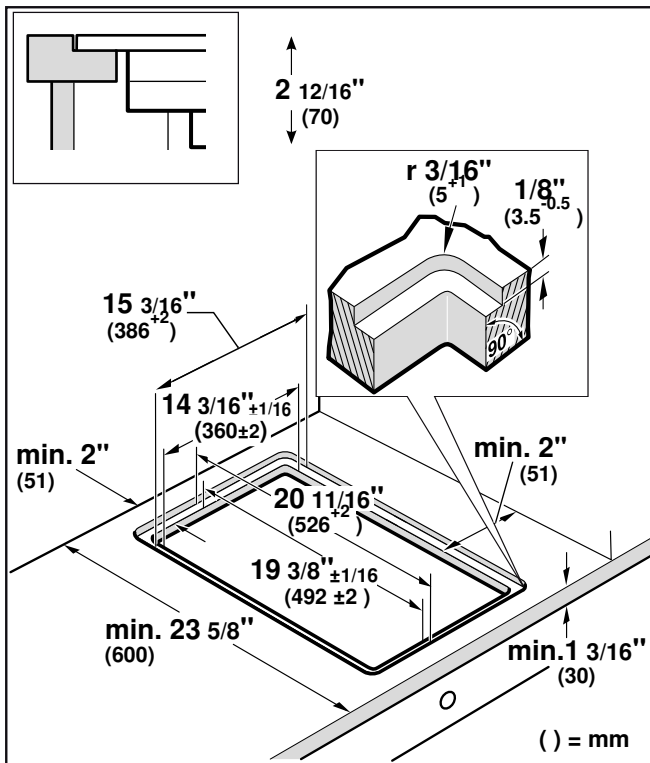
### Notes

- The worktop where the appliance is installed should be able to support a weight of approximately 60 kg.
- The appliance levelling should only be checked after it is installed in the gap for the built-in unit.

## Cutting out countertop



**Flush mounting:** Flush mounting into a countertop is possible.



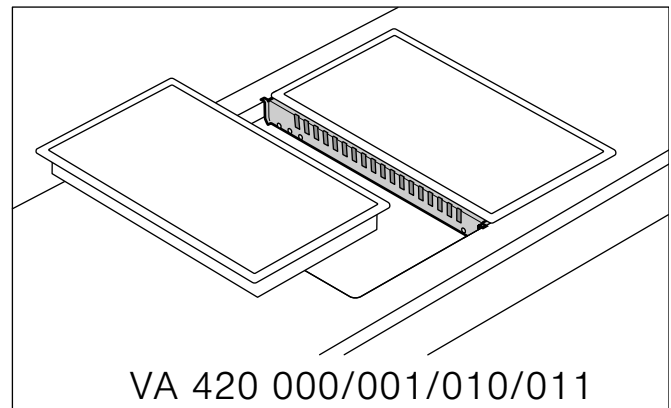
**Flush installation:** The appliance can be installed in the following temperature- and water-resistant countertops:

- Stone countertops
- Plastic countertops (such as Corian®)
- Solid wood countertops: Only in consultation with the manufacturer of the countertop (seal cut-out edges)
- Installation in other countertops only in consultation with the manufacturer of the countertop.

Installation in countertops made of particleboard is not possible.

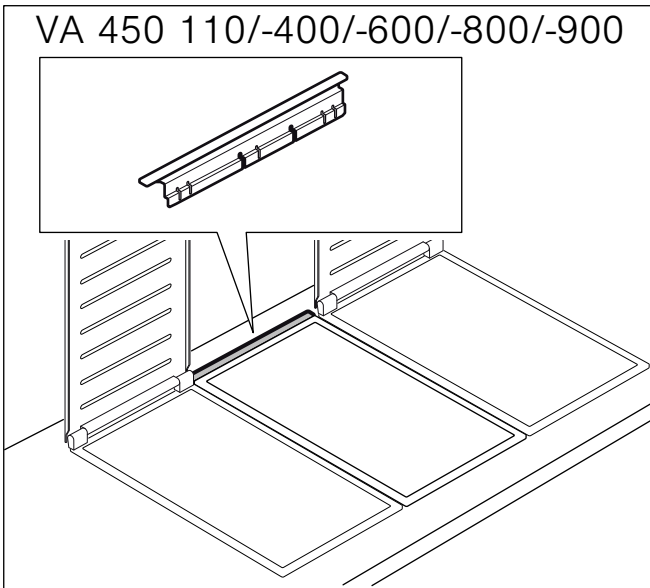
**Note:** Any cut-out work on the countertop must be performed in a workshop according to the installation diagram. The cut-out must be made cleanly and precisely since the cut-out edge is visible on the surface. Clean and degrease the cut-out edges with a suitable cleaning agent (bear in mind silicone manufacturer's processing instructions).

**Combining several Vario devices:** The connecting strip VA 420 000/001/010/011 is required for the combination of several Vario appliances. This is available separately as a special accessory. Consider additional space requirement for the connecting strip between the appliances when making the cut-out (see installation instructions VA 420 000/001/010/011).

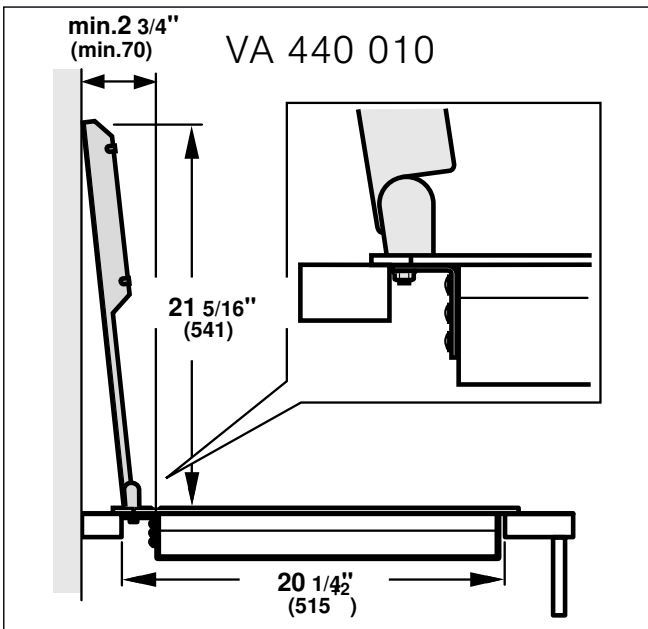


Appliances can also be installed in individual cut-outs, bearing in mind a minimum distance between the devices of 2" (51 mm).

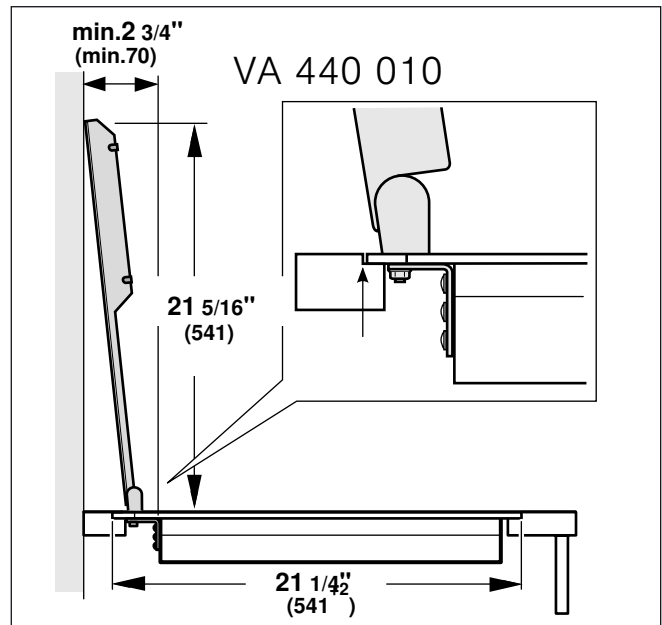
When combining several appliances with or without appliance cover, you can use the appliance extensions VA 450 110/-400/-600/-800/-900 (depending on appliance width) to balance out dimension differences.



**Combination with appliance cover:** The appliance cover VA 440 010 is available separately as a special accessory. When creating the cut-out, bear in mind the additional space required for the appliance cover.



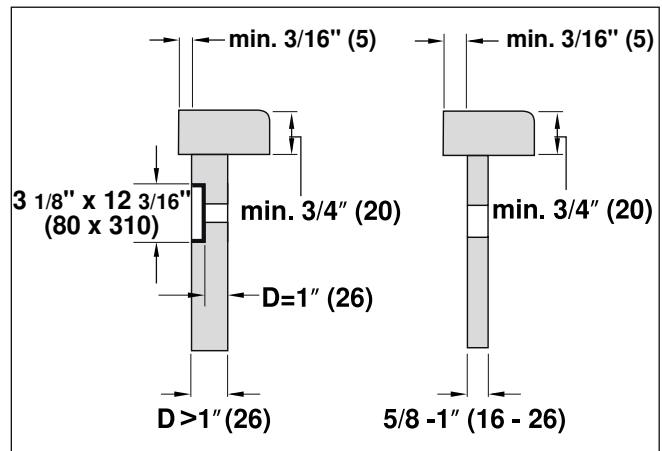
Flush installation:



### Hole for control knob

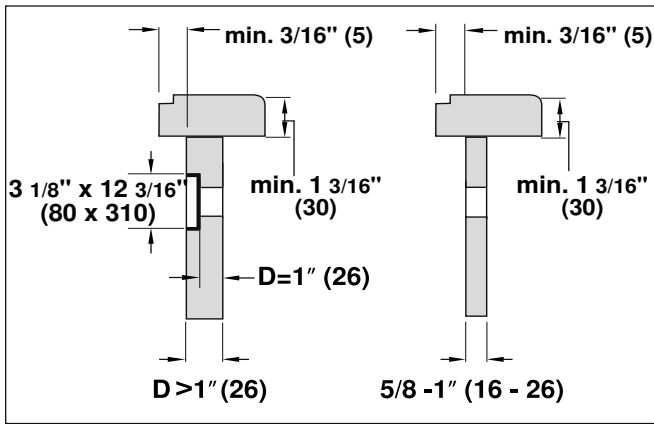
The built-in control console can be integrated into the lower cabinet at drawer level. Panel thickness:  $\frac{5}{8}$ " - 1" (16 - 26 mm)

- 1 If front panel thickness is greater than 1" (26 mm): Mill out front panel on rear side to the dimensions  $3\frac{1}{8}$ " x  $12\frac{3}{16}$ " (80 x 310 mm) to the point that the thickness doesn't exceed 1" (26 mm).

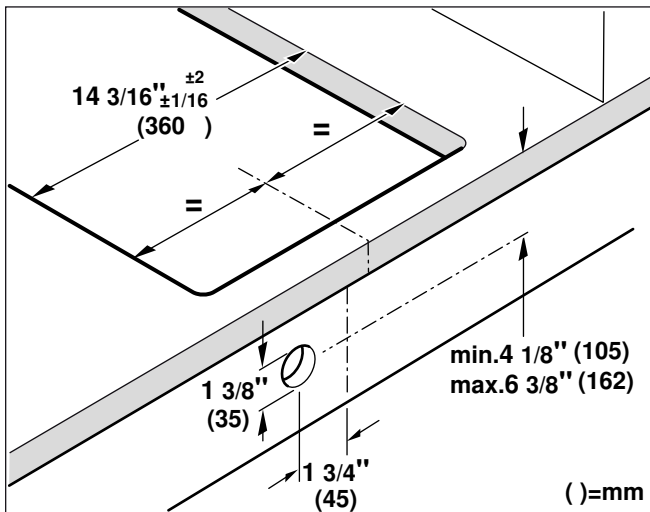




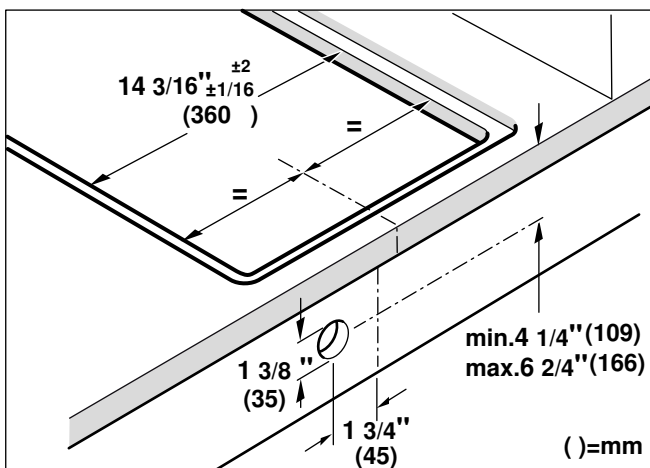
For flush mounting:



- 2 According to the figure, create the drill hole  $\varnothing 1 \frac{3}{8}$ " (35 mm) for fixing in place the control knob in the front side of the lower cabinet. A drilling template is included for precise positioning of the drill hole.



For flush mounting:



## Installation Procedure

### Installing the heat shield

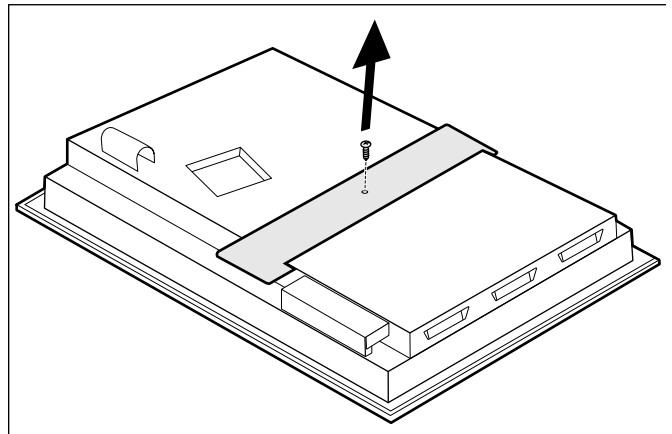
**CAUTION**

Sharp edges. Use protective gloves when installing the plate.

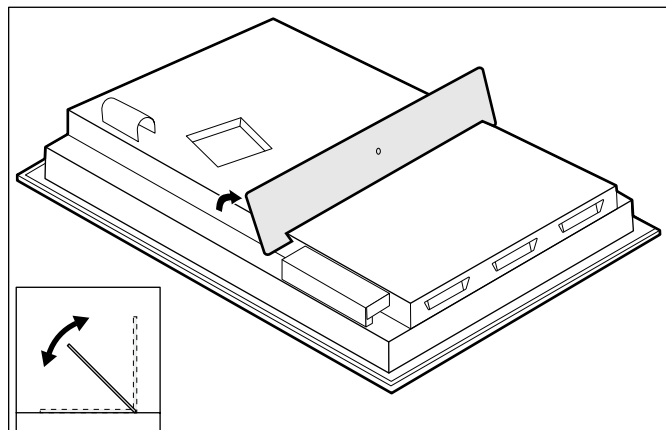
For safety reasons, the heat shield must be properly installed. This prevents components from overheating as a result of the recirculation of hot air from the cooktop.

The heat shield is the same width as the cooktop. For shipping, it is screwed to the burner box.

After unpacking the cooktop, unscrew the heat shield.



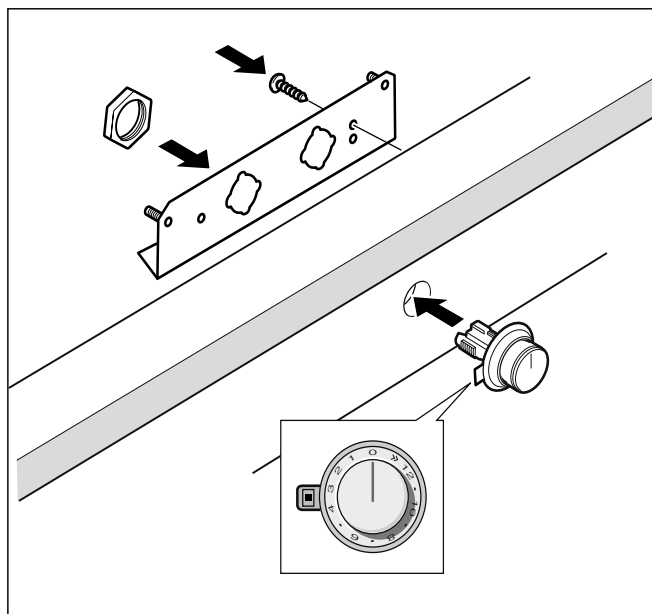
The heat shield will be able to rotate freely, as shown in the illustration.



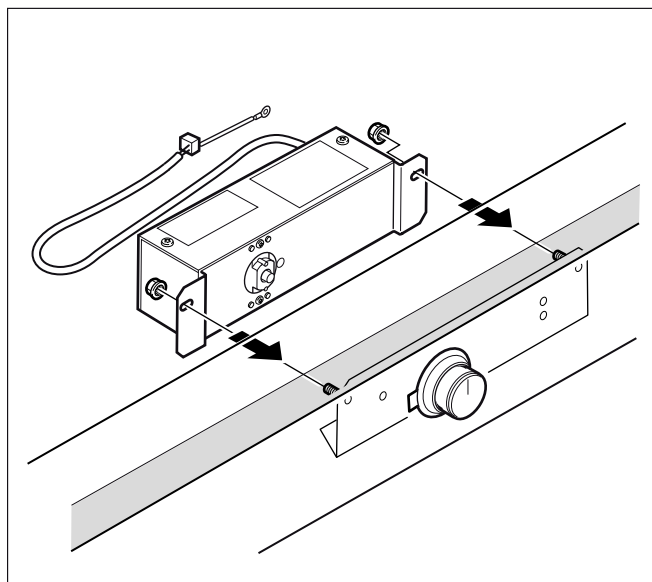
## Installation of control console

**Note:** Only install the appliance in conjunction with the corresponding control console.

- 1 Remove the packaging of the control knob and the protective film from the light ring.
- 2 Hold the retaining plate against the front panel from behind. Stick the control knob into the hole from the front and screw it tight from behind with the nut. Ensure the setplate against torsion with the enclosed screw.



- 3 Screw the control console tight to the retaining plate using the nuts included.

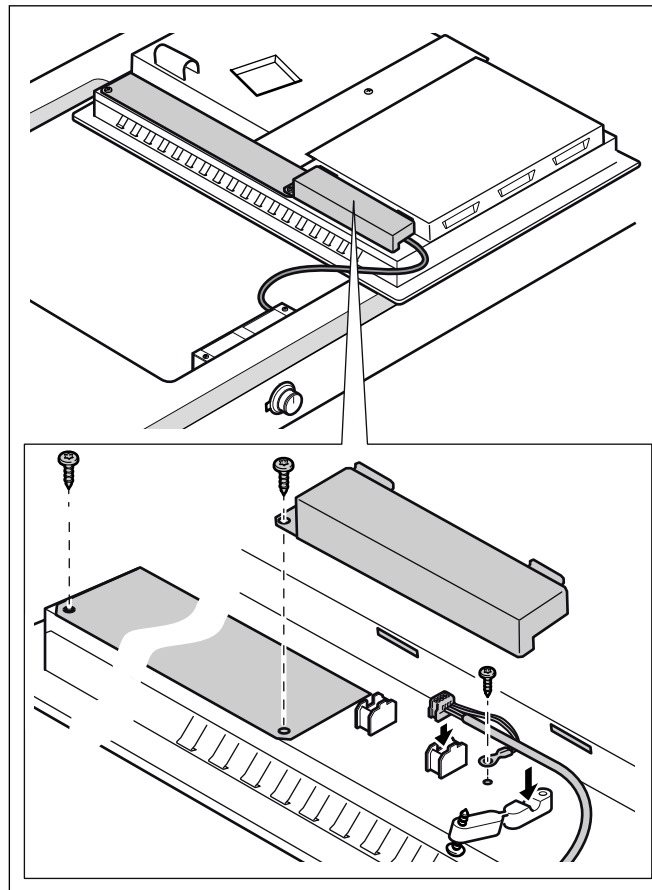


## Install Appliance

### **⚠ WARNING**

Before you plug in an electrical cord or turn on power supply, make sure all controls are in the OFF position.

- 1 Remove plug protection on the underside of the stovetop. Connect control console cable with socket according to the figure. Plug must engage. Fix grounding with the screw enclosed and fix cable in the strain relief. Fit plug protection again.



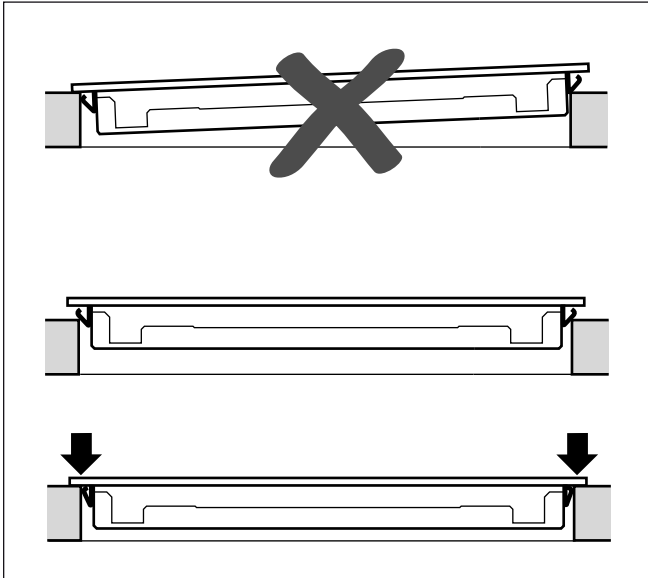
- 2 Evenly insert appliance into cut-out. Press appliance firmly into the cut-out.

---

**⚠ CAUTION**

Don't kink or pinch connecting cable.

---



- 3 **Only for flush mounting:**

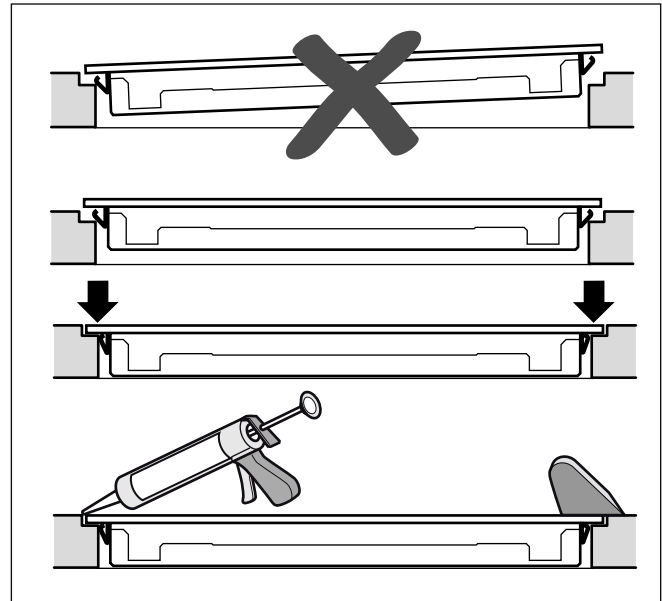
Check appliance for functionality first (see section "Check the installation").

Fill in the gap between the worktop and the ceramic hob using a suitable commercial silicone bonding agent in a color of your choice. Please observe the manufacturer's instructions for use.

Apply the silicone bonding agent in the joints.

Before the silicone bonding agent starts to form a skin, moisten a blade or your finger with a soapy solution and smooth it over.

Don't turn on the appliance until after the silicone adhesive has completely dried (at least 24 hours, depending on room temperature).



---

**⚠ CAUTION**

Unsuitable silicone adhesive will cause natural stone countertops to become permanently discolored.

---

## Connect Electrical Supply

Refer to data plate for more information. See "Service" for data plate location.

The branch-circuit breakers ampacity, the wire sizes and the connections must be conform to the requirements of the National Electrical Code or Canadian Electrical Code and all local codes and ordinances.

Attach flexible conduit to the junction box. Connect the lead wires to the junction box supply wires in proper phase:

- black (L1) to black
- red (L2) to red
- green or bare to ground

## Check the Installation

### **⚠ WARNING**

Before you plug in an electrical cord or turn on power supply, make sure all controls are in the OFF position.

Remove everything from the cooktop surface. Clean cooktop surface with cooktop cleaning creme.

Switch on the circuit breaker.

Verify that elements function properly.

When the light ring behind the control knob blinks, the connecting cable between the control console and the appliance isn't plugged in correctly. Disconnect the appliance from power and ensure that the connecting cable is correctly fitted.

## Removing appliance

Disconnect the appliance from the power supply. For flush-mounted appliances, remove the silicone joint. Push out the appliance from below.

### **⚠ CAUTION**

Damage to appliance! Don't lever device out from above at the frame.

## Customer service

If your appliance needs repairs, our customer service is there for you. We work hard to help solve problems quickly and without unnecessary service calls, getting your appliance back up and running correctly in the least amount of time possible.

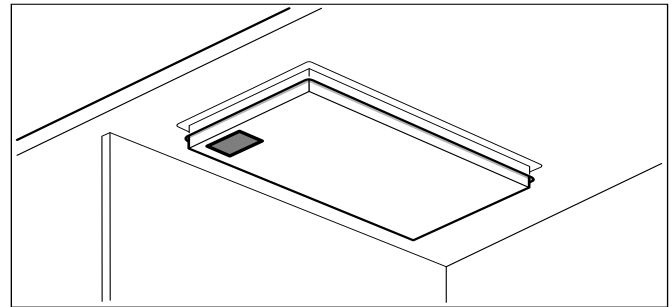
When you call, please indicate the product number (E-Nr.) and serial number (FD-Nr.) so that we can support you in a qualified manner. You will find the type plate with these numbers on the bottom of the appliance. To avoid having to search for a long time when you need it, you can enter your appliance data and the customer support telephone number here.

E-Nr.

FD-Nr.

### Customer Service ☎

Please read the installation instructions and use and care instructions provided with your appliance. Failure to do so may result in an error in using the appliance. This could result in a service call that instead of fixing a mechanical issue is only needed for customer education. Such calls are not covered by the appliance warranty.



Please find the contact data of all countries in the enclosed customer service list.

### To book an engineer visit and product advice

**USA** 877 442 4436  
toll-free

**CANADA** 800 828 9165

You can rely on the manufacturer's expertise. Rest assured that the repair will be handled by trained service technicians who have the original replacement parts for your appliance.

---

## Définitions de Sécurité

---

---

### AVERTISSEMENT

---

Le non-respect de cet avertissement peut entraîner la mort ou des blessures graves.

---

---

### ATTENTION

---

Le non-respect de cet avertissement peut entraîner des blessures mineures ou modérées.

---

**AVIS :** Vous indique que des dommages à l'appareil ou aux biens peuvent survenir si vous ne respectez pas cet avertissement.

**Remarque :** Vous signale des informations importantes ou des conseils.



# CONSIGNES DE SÉCURITÉ IMPORTANTES

LIRE ET CONSERVER CES INSTRUCTIONS

**IMPORTANT : IL FAUT FAIRE POSER L'APPAREIL PAR UN INSTALLATEUR QUALIFIÉ.**

**INSTALLATEUR : LAISSEZ CES INSTRUCTIONS AVEC L'APPAREIL APRÈS UNE FOIS L'INSTALLATION TERMINÉE.**

**IMPORTANT : CONSERVER CES INSTRUCTIONS POUR L'USAGE DE L'INSPECTEUR ÉLECTRIQUE LOCAL.**

---

## AVERTISSEMENT

Si l'information de ce guide n'est pas suivie exactement, il peut en résulter un incendie ou un choc électrique causant des dommages à la propriété, des blessures ou la mort.

---

## AVERTISSEMENT

Ne pas réparer ni remplacer toute pièce de l'appareil à moins que cela ne soit expressément recommandé dans ce manuel. Ne jamais modifier ni altérer la configuration de l'appareil. Toute installation, réparation ou maintenance inadéquate peut entraîner des blessures ou des dommages matériels. Se reporter à ce manuel pour obtenir des conseils sur la façon de procéder. Toute réparation doit être effectuée par un centre de réparation autorisé par l'usine.

Enlever le ruban adhésif et l'emballage avant d'utiliser l'appareil. Détruire l'emballage après avoir déballé l'appareil. Ne jamais laisser les enfants jouer avec les matériaux de conditionnement.

Certaines surfaces peuvent avoir des bords tranchants. Faire attention en étendant le bras derrière l'appareil ou en dessous.

Une installation non conforme peut entraîner la perte de la garantie.

## Codes et normes de sécurité

Cet appareil est conforme à une ou plusieurs des normes suivantes :

- **UL 858, norme pour la sécurité des cuisinières électriques domestiques**
- **UL 507, norme pour la sécurité des ventilateurs électriques**

- **CAN/CSA-C22.2 No. 113-M1984, Ventilateurs et soufflantes**
- **CAN/CSA-C22.2 No. 61-M89, Cuisinières pour usage ménager**

Il incombe au propriétaire et à l'installateur de déterminer si des exigences additionnelles et/ou normes s'appliquent pour des installations spécifiques.

## Sécurité électrique

---

### AVERTISSEMENT

Avant de brancher un cordon électrique ou de mettre l'appareil sous tension, s'assurer que les commandes sont en position d'ARRÊT.

S'il y a lieu, conformément au Code national de l'électricité (ou au Code canadien de l'électricité), cet appareil doit être installé sur un circuit de dérivation séparé.

Le disjoncteur doit avoir une séparation de contact de 3 mm. minimum pour tous les pôles.

---

### AVERTISSEMENT

#### Risque de choc électrique ou d'incendie

Le cadre est mis à la terre au neutre par le conducteur de terre. La mise à la terre par le conducteur neutre est interdite pour les nouvelles installations de circuit terminal (NEC 1996), les maisons mobiles et les véhicules de plaisance ou dans les endroits où les codes locaux interdisent la mise à la terre par un conducteur neutre.

Pour les installations où la mise à la terre par le conducteur neutre est interdite,

- a) débrancher la liaison du neutre,
- b) utiliser la borne de terre ou le fil pour mettre l'appareil à la terre,
- c) brancher la borne neutre sur le fil neutre du circuit terminal de la façon habituelle (lorsque l'appareil doit être branché au moyen d'un nécessaire de cordon, utiliser un cordon à 4 fils homologué par l'Underwriters Laboratory prévu à cet effet).

S'assurer que l'appareil est installé et mis à la terre par un technicien qualifié. L'installation, les connexions électriques et la mise à la terre doivent être conformes à tous les codes applicables.



# CONSIGNES DE SÉCURITÉ IMPORTANTES

LIRE ET CONSERVER CES INSTRUCTIONS

Avant l'installation, mettre l'appareil hors service au panneau de service. Verrouiller le panneau d'entrée d'électricité pour éviter que le courant ne soit accidentellement rétabli.

Installateur – Indiquer au propriétaire l'emplacement du disjoncteur ou du fusible. Identifier sa position pour pouvoir le retrouver facilement.

## Sécurité apparentée concernant l'équipement

L'utilisation sécuritaire n'est garantie que si l'installation de la table de cuisson se fait par un spécialiste conformément à ces instructions. L'installateur est responsable de tout dommage résultant d'une installation incorrecte.

Ne jamais modifier ni altérer la configuration de l'appareil. Par exemple, ne pas retirer les pieds de nivellement, les panneaux, les couvercles de câblage ou les fixations/vis antibasculement.

Pour éliminer le risque de brûlures ou d'incendie lorsque l'on allonge le bras au-dessus des éléments de surface chauds, éviter d'installer des placards au-dessus des éléments de surface. Si l'installation de placards est prévue, le risque peut être réduit en installant une hotte aspirante qui dépasse horizontalement d'au moins 5 po (127 mm) la base du placard.

Vérifiez que la profondeur des armoires situées au-dessus de la table de cuisson ne dépasse pas 13 po (330 mm).

La pose d'un appareil de réfrigération, d'un lave-vaisselle, d'un four non ventilé ou d'un lave-linge sous la table de cuisson n'est pas autorisée.

**Remarque :** Nous recommandons vivement l'installation d'un système de ventilation avec cet appareil ménager.

## Avertissements de la Proposition 65 de l'État de la Californie

---

### AVERTISSEMENT

---

Ce produit contient des produits chimiques connus de l'État de la Californie pour causer le cancer, des anomalies congénitales ou d'autres problèmes de reproduction.

---

---

## Avant de commencer

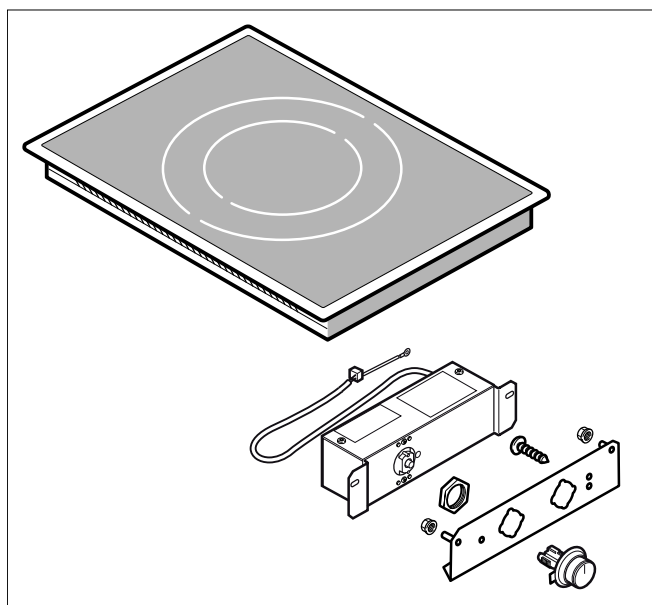
---

### Outils et pièces nécessaires

- Tournevis à lame Philips
- Crayon
- Perceuse avec mèche 1/4" po (6 mm)
- Scie sauteuse
- Ruban à mesurer

**Remarque :** Des matériaux supplémentaires peuvent être nécessaires pour installer les plans de travail à surface solide. Contacter le fabricant du plan de travail.

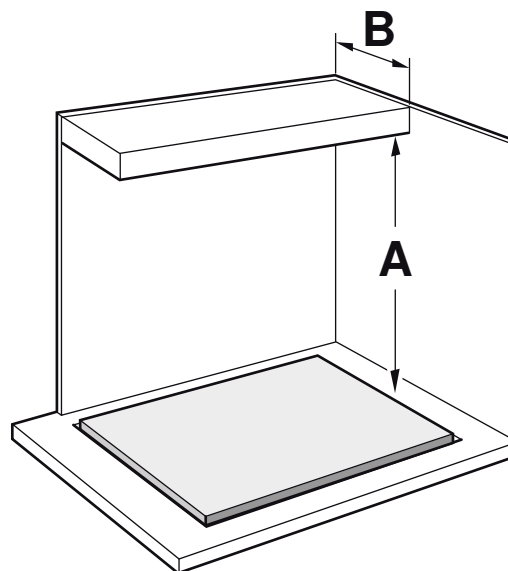
### Pièces comprises



### Exigences pour les placards

La distance de la partie supérieure de la plaque à la partie inférieure des cabinets situés au-dessus sera de A=762 mm. au minimum. Cette distance peut être réduite à A=610 mm., quand la partie inférieure de l'armoire en bois ou en métal est protégée par un carton résistant au feu d'une épaisseur dépassant 6,35 mm., recouvert d'une feuille en acier MSG N.° 28, en acier inoxydable de 0,4 mm. d'épaisseur, en aluminium de 0,6 mm. ou en cuivre de 0,5 mm. d'épaisseur au minimum.

Vérifier si les armoires au-dessus de la grille ont un maximum de B=330 mm. en profondeur.



### Exigences pour le plan de travail

---

#### ⚠ AVERTISSEMENT

---

Pour réduire le risque d'inflammation des matériaux combustibles adjacents, l'installation doit laisser un dégagement d'au moins 2 po (51 mm) entre la table de cuisson et les murs latéraux et arrière.

---

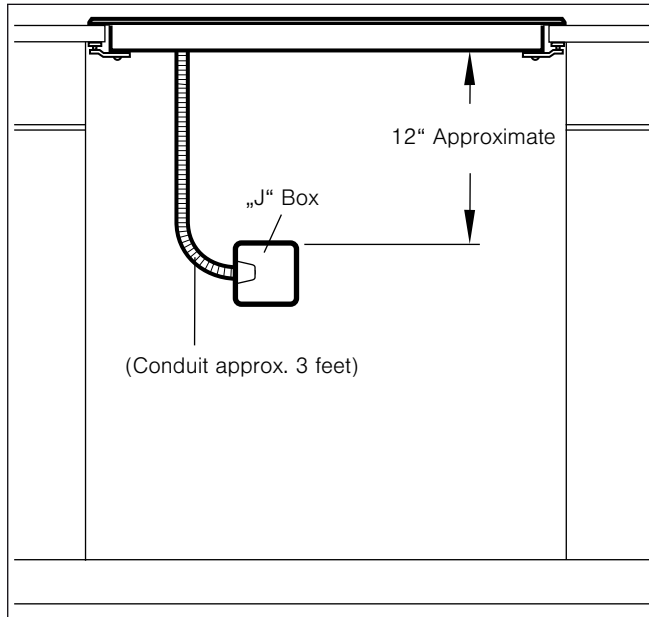
Le plan de travail doit être de niveau et horizontal. Le plan de travail doit rester stable après la découpe.

Certains plans de travail à haute résistance requièrent souvent des aménagements spéciaux. Par exemple, une bande thermoréfléchissante et des coins arrondis peuvent être nécessaires. Contacter le fabricant du plan de travail pour obtenir des précisions.



## Exigences électriques

La plaquette signalétique indiquant les caractéristiques électriques se trouve sur le dessous de l'appareil. La boîte de jonction doit se trouver au maximum à 3 pieds du branchement de la table de cuisson. Elle doit être d'accès facile pour les opérations d'entretien.



### Alimentation électrique

Modèles VI 414 610, VI 424 610

Disjoncteur 20 ampères

240 V, 3 fils, 60 Hz

208 V, 3 fils, 60 Hz

Tous avec 39" (1 m) de gaine souple (compris)

## Préparation des meubles

Le meuble où la table de cuisson est encastrée doit résister à la chaleur jusqu'à une température de 200° F (90° C). La stabilité du meuble doit rester garantie après les opérations de découpe.

Réaliser la découpe dans le plan de travail pour un ou plusieurs appareils Vario, conformément au schéma de pose. Le plan de coupe doit faire un angle de 90° avec le plan de travail.

Les bords de coupe latéraux doivent être plans afin de garantir la fixation des ressorts de maintien sur l'appareil. Dans le cas de plans de travail multicouches, fixer éventuellement des baguettes sur les côtés de la découpe.

Après les opérations de découpe, éliminer les copeaux. Sceller les plans de coupe de façon qu'ils résistent à la chaleur et soient étanches à l'eau.

Respecter une distance minimale de 3/8" (10 mm) entre le dessous de l'appareil et les éléments du meuble.

Il faut renforcer le plan de travail s'il mesure moins de 20 mm (3/4") d'épaisseur en pose chevauchante et moins de 30 mm (1 3/16") en pose affleurante. Sinon, sa capacité de résistance risque de ne pas être suffisante. Le matériau utilisé pour le renforcement doit résister à la chaleur et à l'humidité.

### Remarques

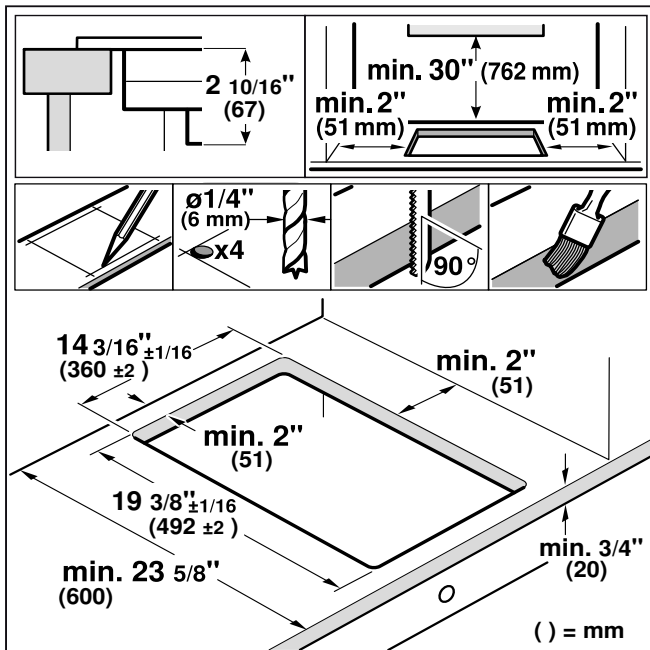
- Le plan de travail dans lequel est encastrée l'appareil doit avoir une capacité de 60 kg environ.
- Vérifier l'aplomb de l'appareil seulement après l'avoir installée dans l'ouverture d'encastrement.

Il faut renforcer le plan de travail s'il mesure moins de 20 mm (3/4") d'épaisseur en pose chevauchante et moins de 30 mm (1 3/16") en pose affleurante. Sinon, sa capacité de résistance risque de ne pas être suffisante. Le matériau utilisé pour le renforcement doit résister à la chaleur et à l'humidité.

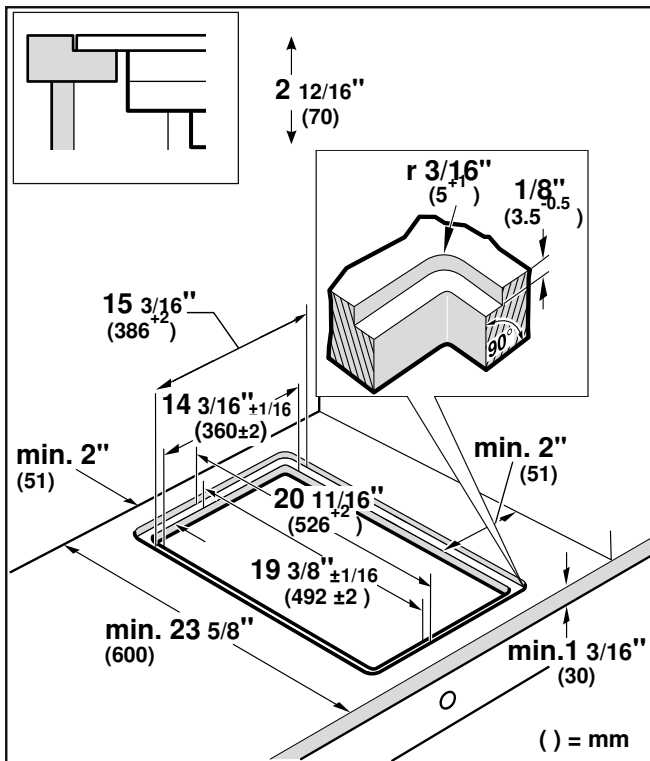
### Remarques

- Le plan de travail dans lequel est encastrée l'appareil doit avoir une capacité de 60 kg environ.
- Vérifier l'aplomb de l'appareil seulement après l'avoir installée dans l'ouverture d'encastrement.

## Découper le plan de travail



**Pose en affleurement:** L'appareil peut être posé en affleurement dans un plan de travail.



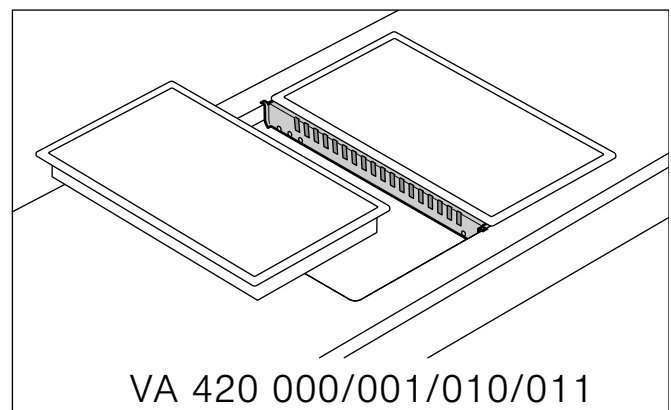
**Pose en affleurement:** L'appareil peut être encastré dans des plans de travail résistant à la chaleur et à l'eau, fabriqués dans les matériaux suivants :

- pierre
- matière plastique ou Corian®
- bois massif : seulement avec l'accord avec le fabricant du plan de travail (sceller les bords de coupe)
- La pose dans d'autres types de plan de travail : seulement avec l'accord avec le fabricant du plan de travail.

La pose dans de plan de travail de panneaux de particules n'est pas autorisée.

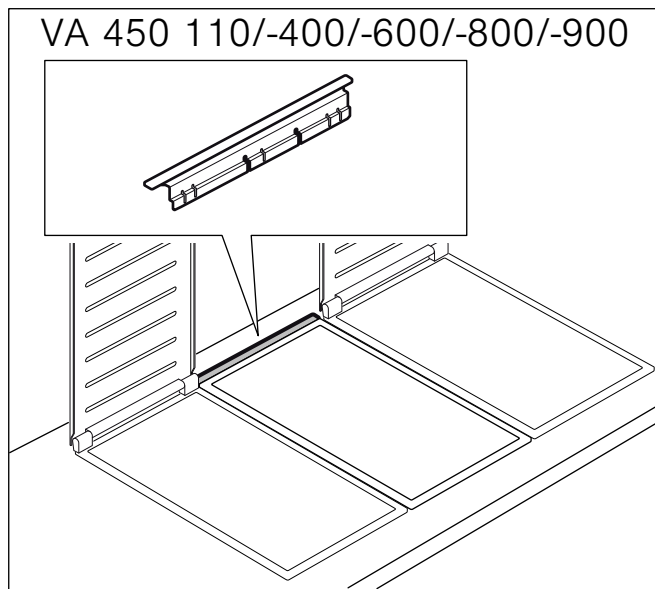
**Remarque :** Toutes les découpes du plan de travail doivent être faits dans un atelier spécialisé, conformément au schéma de pose. La découpe doit être nette et précise, car le bord de coupe est visible en surface. Nettoyer et dégraisser les bords de coupe avec un produit de nettoyage adéquat (respecter les instructions d'application du fabricant du silicone).

**Association de plusieurs appareils Vario :** Pour combiner plusieurs appareils Vario, il faut utiliser la barrette de jonction VA 420 000/001/010/011. Elle est disponible comme accessoire en option. Lors de la découpe, tenir compte de l'espace supplémentaire qui est nécessaire pour la barrette de jonction entre les appareils (voir la notice de montage VA 420 000/001/010/011).

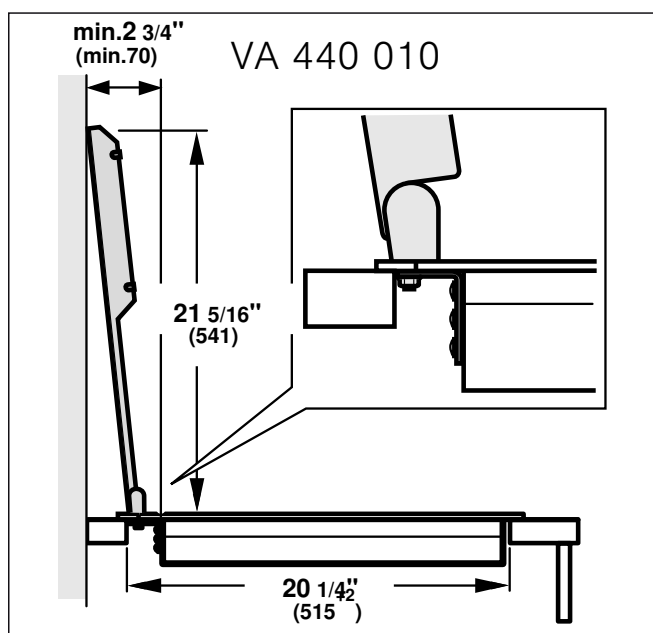


Les appareils peuvent également être installés dans des découpes séparées, en respectant une distance minimale de 2" (51 mm).

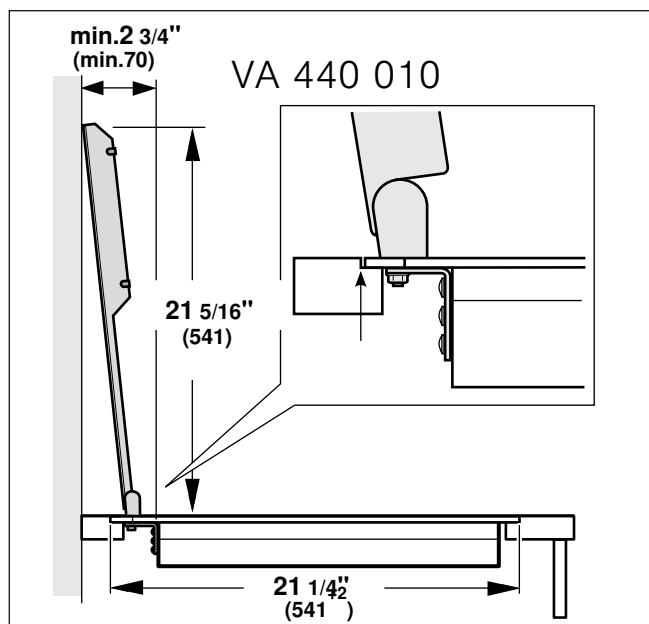
Pour associer des appareils avec et sans couvercle, il faut compenser les différences de longueur en utilisant la rallonge VA 450 110/-400/-600/-800/-900 (selon la largeur de l'appareil).



**Association à un couvercle :** Le couvercle VA 440 010 est disponible séparément en accessoire. Au moment de réaliser la découpe, tenir compte de l'encombrement du couvercle.



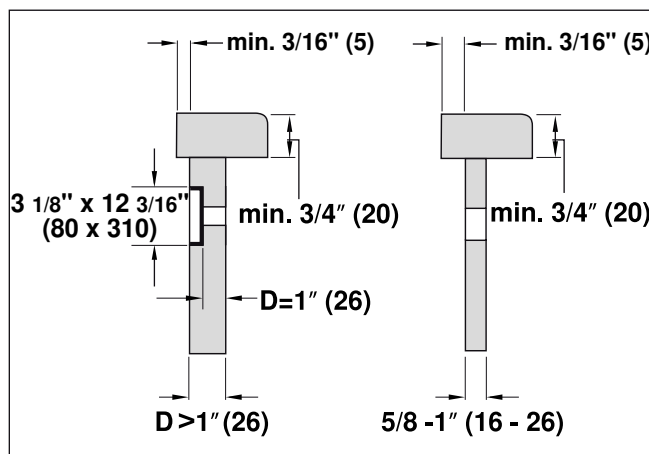
Pose en affleurement :



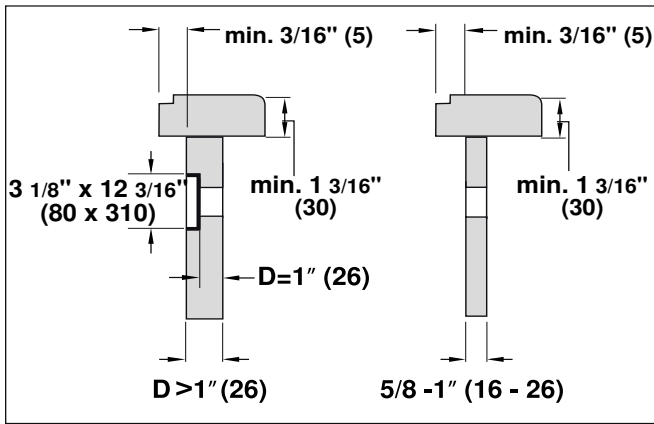
### Trou pour manette de commande

Le pupitre de commande est intégrable dans le meuble bas, à hauteur de tiroir. Epaisseur du bandeau :  $5/8'' - 1''$  (16 - 26 mm)

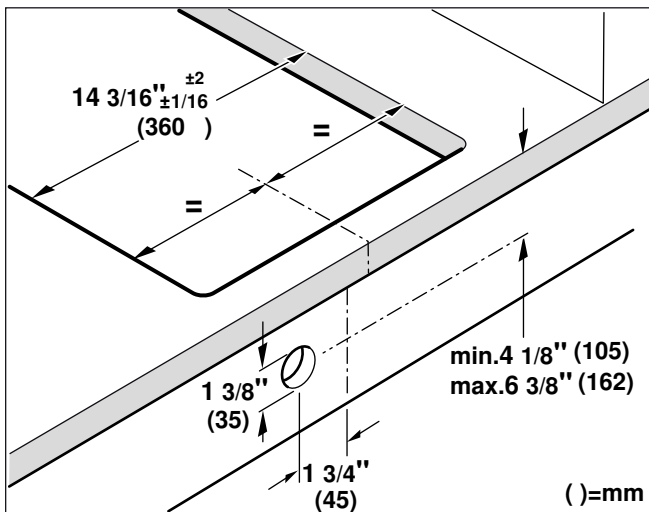
- 1 Si l'épaisseur du bandeau avant est supérieure à 1" (26 mm) : fraiser le bandeau avant, du côté arrière, à la cote  $3 1/8'' \times 12 3/16''$  (80 x 310 mm) de façon que l'épaisseur ne soit pas supérieure à 1" (26 mm).



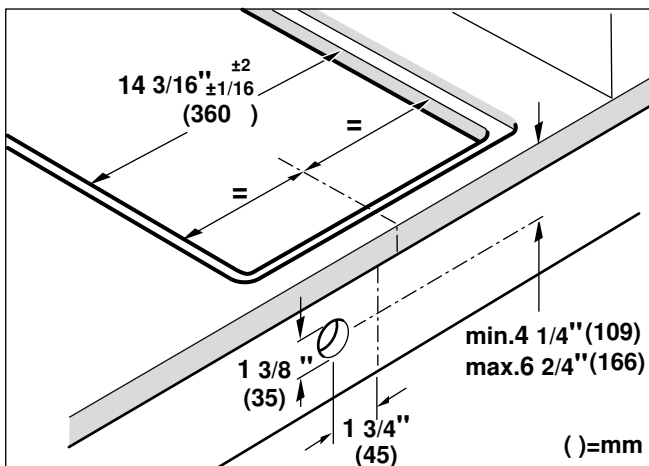
Pose en affleurement :



- 2 Selon la figure, percer un trou de  $\varnothing 1 \frac{3}{8}$ " (35 mm) pour fixer la manette de commande dans la façade du meuble bas. Pour positionner le trou avec précision, un gabarit de perçage est fourni.



Pose en affleurement :



## Procédure d'installation

### Installation de l'écran pare-chaueur

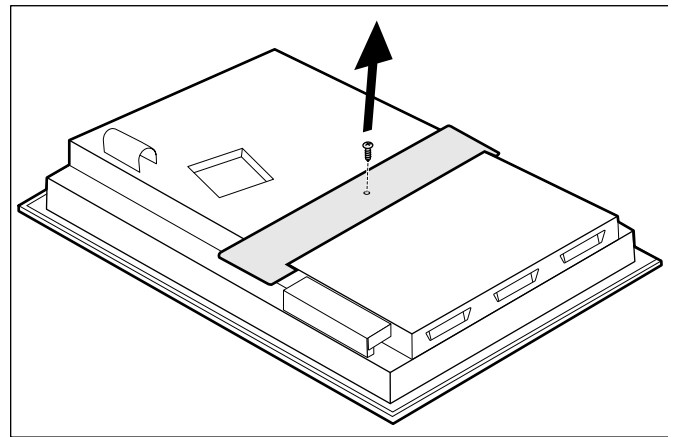
#### ⚠ ATTENTION

Bords coupants. Utiliser des gants de protection pour installer la table.

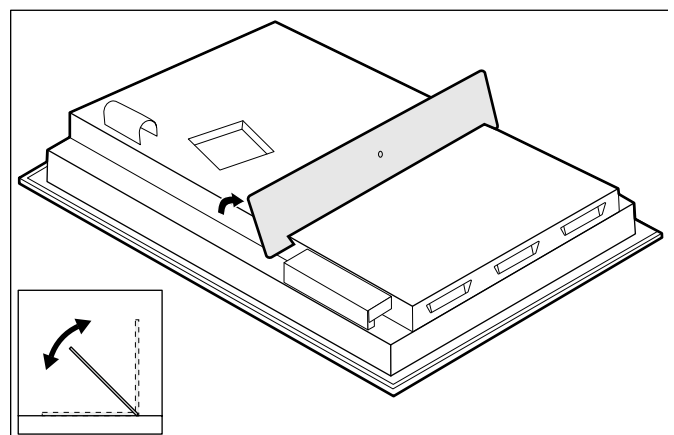
Pour des raisons de sécurité, il faut installer correctement l'écran pare-chaueur. Cet écran évite la surchauffe de composants par remise en recirculation de l'air chaud de la table de cuisson.

L'écran pare-chaueur a la même largeur que la table de cuisson. Pour le transport, il est vissé au boîtier du brûleur.

Après avoir déballé la table de cuisson, dévisser l'écran pare-chaueur.



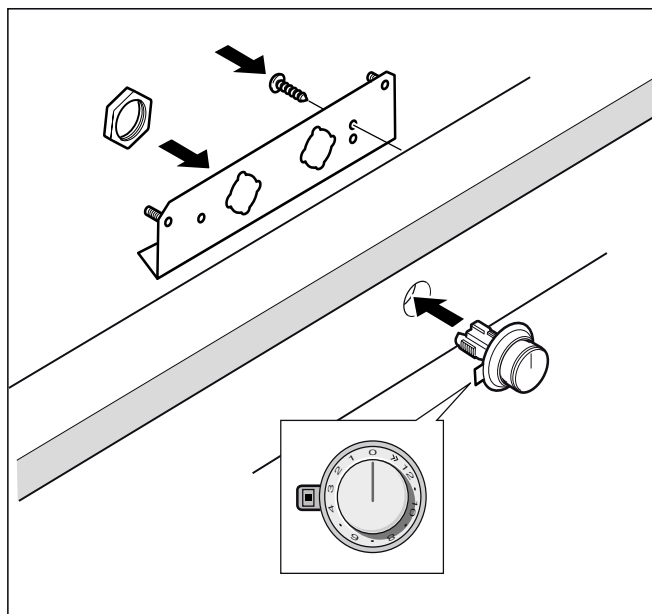
L'écran pare-chaueur pourra tourner librement comme le montre la figure.



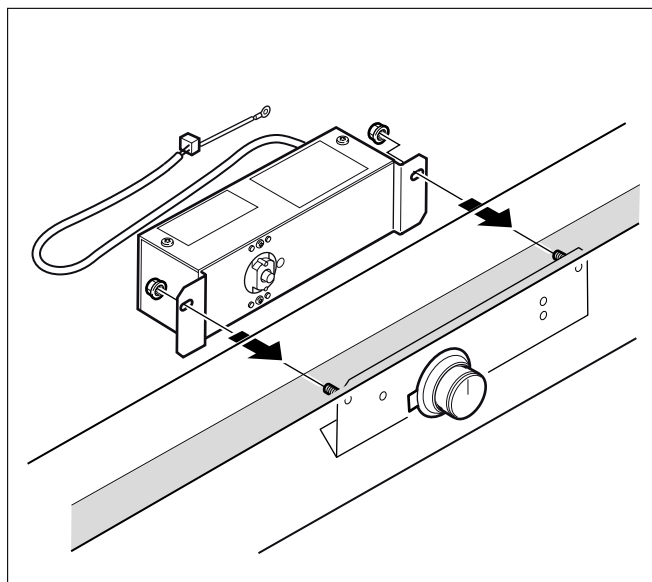
## Pose du pupitre de commande

**Remarque :** Installer l'appareil uniquement avec son pupitre de commande.

- 1 Enlever l'emballage de la manette de commande et retirer le film de protection situé derrière l'anneau lumineux.
- 2 Tenir la plaque de maintien par l'arrière contre le bandeau avant. Insérer la manette de commande par l'avant dans le trou, et visser par l'arrière avec l'écrou. Bloquer la plaque de maintien avec la vis jointe, afin de l'empêcher de tourner.



- 3 Au moyen des écrous fournis, visser le pupitre de commande à la tôle de maintien.

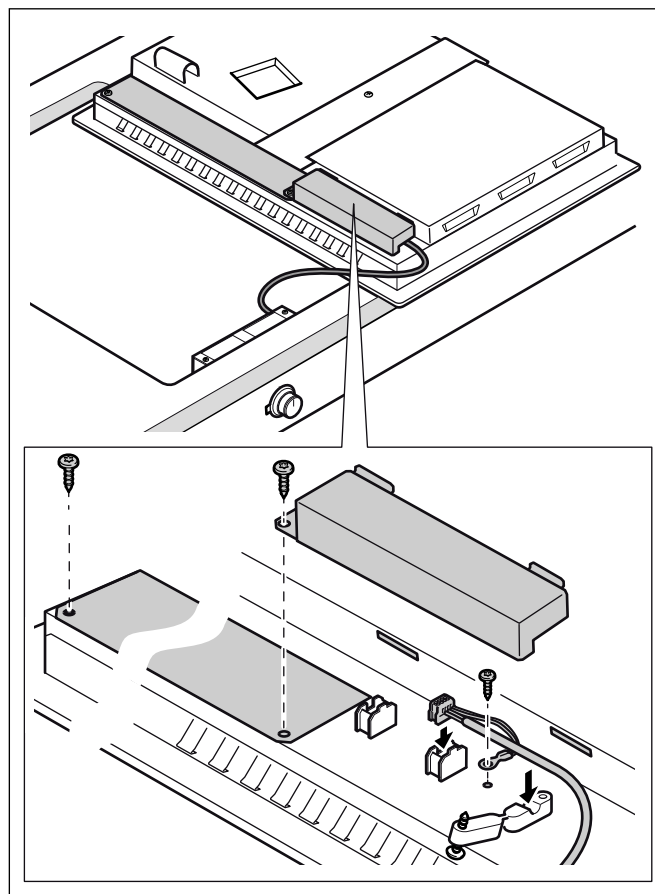


## Pose de l'appareil

### ⚠ AVERTISSEMENT

Avant de brancher un cordon électrique ou de mettre l'appareil sous tension, s'assurer que les commandes sont en position d'ARRÊT.

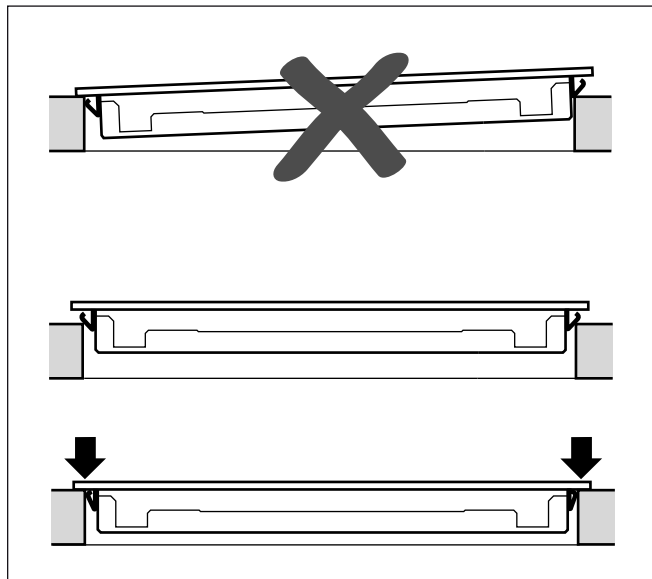
- 1 Enlever la protection des connecteurs, sur le dessous de la table de cuisson, relier le câble du pupitre de commande à la prise, conformément au schéma. Les connecteurs doivent se verrouiller. Faire la mise à la terre et fixer les câbles dans le serre-câble. Remettre en place la protection des connecteurs.



- 2 Insérer l'appareil à plat dans la découpe. Appuyer fermement sur l'appareil pour bien le positionner dans la découpe.

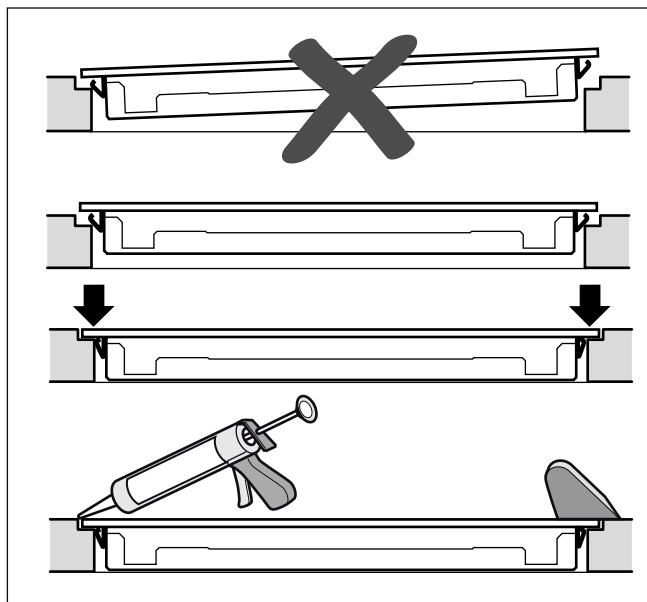
**ATTENTION**

Ne pas couder ni coincer les câbles de jonction.



- 3 **Seulement en cas de pose en affleurement :**  
Avant de réaliser le joint, il faut absolument effectuer un essai de fonctionnement!  
Remplir la fente visible entre le plan de travail et la plaque de cuisson avec une colle silicone conventionnelle adaptée de la couleur souhaitée. Suivre les instructions d'utilisation qu'indique le fabricant. Appliquer l'agent adhésif à base de silicone sur les joints. Avant que l'agent adhésif ne forme une pellicule, humidifier un couteau ou votre doigt avec une solution savonneuse et lisser sa surface.

Attendre le séchage complet de la colle silicone pour mettre l'appareil en service (au moins 24 heures, selon la température ambiante).



**ATTENTION**

L'emploi d'une colle silicone non adaptée provoque des décolorations durables sur les plans de travail en pierre naturelle.

## Brancher l'alimentation électrique

Consulter la plaque signalétique pour en savoir plus. Pour savoir où se trouve la plaque signalétique, se reporter à la rubrique "Service après-vente".

Le courant admissible des disjoncteurs divisionnaires, la taille des câbles et les connexions doivent être conformes aux exigences du Code électrique national ou du Code électrique canadien ainsi qu'à tous les codes et règlements locaux.

Brancher le conduit souple à la boîte de jonction. Brancher les fils de sortie aux fils d'alimentation de la boîte de jonction en respectant les phases :

- noir (L1) avec noir
- rouge (L2) avec rouge
- vert ou dénudé avec la terre

## Vérification de l'installation

### **⚠ AVERTISSEMENT**

Avant de brancher un cordon électrique ou de mettre l'appareil sous tension, s'assurer que les commandes sont en position d'ARRÊT.

Tout enlever de la surface de la table de cuisson. Nettoyer la surface de la table de cuisson à l'aide d'une crème de nettoyage pour table de cuisson.

Mettre le disjoncteur en circuit.

Vérifier que les éléments fonctionnent correctement.

Si l'anneau lumineux visible derrière la manette de commande clignote, cela signifie que le câble reliant le pupitre de commande à l'appareil n'est pas bien branché. Isoler l'appareil du secteur et vérifier que le câble de liaison est bien en place.

## Dépose de l'appareil

Mettre l'appareil hors tension. Si les appareils sont posés en affleurement, enlever le joint en silicone. Faire sortir l'appareil en le soulevant par-dessus.

### **⚠ ATTENTION**

Risque de détérioration ! Ne pas extraire l'appareil par le haut en faisant levier sur le cadre.

## Service après-vente

Si votre appareil doit être réparé, notre service après-vente est à votre disposition. Nous trouvons toujours une solution adaptée, y compris pour éviter les visites inutiles de techniciens.

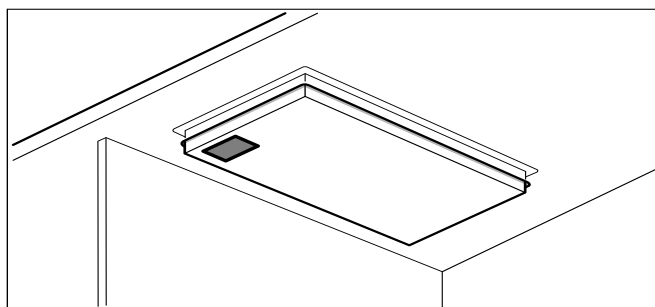
Lors de votre appel, indiquez le numéro du produit (n° E) et le numéro de série (n° FD) afin que nous puissions vous donner une réponse précise. La plaquette d'identification comportant ces numéros se trouve sur le dessous de l'appareil. Pour ne pas avoir à chercher longtemps en cas de besoin, vous pouvez inscrire ici les références de l'appareil et le numéro de téléphone du service après-vente.

N° E

N° FD

Service après-vente ☎

N'oubliez pas qu'en cas de fausse manœuvre, la visite d'un technicien d'après-vente n'est pas gratuite, même pendant la garantie.



Vous trouverez les données de contact pour tous les pays dans l'annuaire ci-joint du service après-vente.

### **Demande de réparation et conseils en cas de dysfonctionnement**

CA 800 828 9165

Faites confiance à la compétence du fabricant. Ainsi vous êtes assurés que la réparation sera effectuée par des techniciens formés qui possèdent les pièces de rechange d'origine pour votre appareil.

---

## Definiciones de Seguridad

---

---

### ADVERTENCIA

---

Esto indica que se pueden producir lesiones graves o la muerte si no se cumple con esta advertencia.

---

---

### ATENCION

---

Esto indica que pueden producirse lesiones leves o moderadas si no se cumple con esta advertencia.

---

**AVISO:** esto indica que puede producirse un daño al electrodoméstico o a la propiedad como resultado de la falta de cumplimiento de este aviso.

**Nota:** Esto lo alerta sobre información y/o consejos importantes.





# INSTRUCCIONES DE SEGURIDAD IMPORTANTES

## LEA Y CONSERVE ESTAS INSTRUCCIONES

IMPORTANTE: LA INSTALACIÓN DEL APARATO DEBE SER REALIZADA POR UN INSTALADOR CUALIFICADO.

INSTALADOR: DEJE ESTAS INSTRUCCIONES CON EL ELECTRODOMÉSTICO CUANDO HAYA FINALIZADO LA INSTALACIÓN.

IMPORTANTE: CONSERVE ESTAS INSTRUCCIONES PARA USO DEL INSPECTOR DE ELECTRICIDAD LOCAL.

---

### ADVERTENCIA

Si no sigue la información de este manual exactamente, se puede ocasionar un incendio o una descarga eléctrica que puede causar daños materiales o lesiones personales.

---

---

### ADVERTENCIA

No repare ni reemplace ninguna parte del electrodoméstico, a menos que esté específicamente recomendado en este manual. Nunca modifique ni altere la construcción del electrodoméstico. La instalación, servicio técnico o mantenimiento incorrectos pueden causar lesiones o daños materiales. Consulte este manual para su orientación. Remita todas las reparaciones a un centro de servicio técnico autorizado por la fábrica.

---

Retire toda la cinta y el embalaje antes de usar el electrodoméstico. Destruya el embalaje después de desembalar el electrodoméstico. Nunca deje que los niños jueguen con el material de embalaje.

Las superficies ocultas pueden tener bordes filosos. Proceda con cuidado al intentar tomar el electrodoméstico por la parte trasera o desde abajo.

Una instalación inadecuada puede significar perder el derecho a hacer válida la garantía del producto.

## Códigos y normas de seguridad

Este electrodoméstico cumple con una o más de las siguientes normas:

- **UL 858, Norma de seguridad para estufas eléctricas de uso doméstico (Standard for the Safety of Household Electric Ranges)**
- **UL 507, Norma de seguridad para ventiladores eléctricos (Standard for the Safety of Electric Fans)**

- **CAN/CSA-C22.2 N.º 113-M1984, Ventiladores (Fans and Ventilators)**
- **CAN/CSA-C22.2 N.º 61-M89, Estufas de uso doméstico (Household Cooking Ranges)**

Es responsabilidad del propietario y del instalador determinar si se aplican otros requisitos y/o normas en instalaciones específicas.

## Seguridad con la electricidad

---

### ADVERTENCIA

Antes de enchufar un cable eléctrico o apagar la fuente de alimentación eléctrica, asegúrese de que todos los controles se encuentren en la posición OFF (Apagado).

---

Si el Código Nacional Eléctrico (o el Código Eléctrico Canadiense) así lo requiere, este electrodoméstico debe instalarse en un circuito derivado por separado.

El disyuntor debe tener una separación de contacto de, al menos, 3 mm en todos los polos.

---

### ADVERTENCIA

#### Riesgo de descarga eléctrica o incendio

La conexión a tierra del marco con el cable neutro debe realizarse a través de una correa de conexión a tierra. Se prohíbe hacer la conexión a tierra a través del conductor neutro para instalaciones nuevas de circuito derivado (1996 NEC), casas rodantes y vehículos recreativos, o en un área en la que los códigos locales prohíban la conexión a tierra a través del conductor neutro.

Para instalaciones en las que se prohíbe la conexión a tierra a través del conductor neutro,

- a) desconecte la conexión del conductor neutro,
  - b) use el borne de conexión a tierra o el hilo de conexión a tierra para conectar a tierra la unidad,
  - c) conecte el borne neutro al hilo neutro del circuito derivado como lo haría usualmente (cuando vaya a conectar el electrodoméstico a través de un conjunto de cables, use un cable de 4 conductores calificado por UL para este fin).
- 

Asegúrese de que el electrodoméstico sea correctamente instalado y conectado a tierra por un técnico calificado. La instalación, las conexiones eléctricas y la conexión a tierra deben cumplir con todos los códigos correspondientes.



# INSTRUCCIONES DE SEGURIDAD IMPORTANTES

## LEA Y CONSERVE ESTAS INSTRUCCIONES

Antes de realizar la instalación, apague la alimentación eléctrica en el panel de servicio. Trabe el panel de servicio para impedir que se encienda accidentalmente la alimentación eléctrica.

El instalador debe mostrar al propietario la ubicación del disyuntor o el fusible. Márquela para recordarla más fácilmente.

### Seguridad relacionada con los equipos

Se garantiza la seguridad de uso de la placa solamente si es instalada por un especialista de acuerdo con estas instrucciones de instalación. El instalador es responsable de cualquier daño que se produzca debido a la instalación incorrecta.

Nunca modifique ni altere la construcción del electrodoméstico. Por ejemplo, no retire las patas niveladoras, paneles, cubiertas para cables ni soportes/tornillos antivuelco.

Para eliminar el riesgo de quemaduras o incendio al tocar unidades de la superficie calentadas, se debe evitar dejar espacio de almacenamiento en gabinetes sobre las unidades de la superficie. En el caso de que haya almacenamiento en gabinetes, se puede reducir el riesgo instalando una campana que se proyecte horizontalmente 5 pulgadas (127 mm) como mínimo de la parte inferior del gabinete.

Verifique que los gabinetes que se encuentran sobre la placa tengan 13 pulg. (330 mm) de profundidad como máximo.

Debajo de la placa de cocción no se pueden montar neveras, lavavajillas, hornos si ventilación ni lavadoras.

**Nota:** Recomendamos categóricamente la instalación de un sistema de ventilación con este electrodoméstico.

### Advertencias en virtud de la Proposición 65 del estado de California

---

#### ADVERTENCIA

---

Este producto contiene una o más sustancias químicas que el estado de California sabe que provocan cáncer, defectos congénitos, u otro daño reproductivo.

---

---

## Antes de empezar

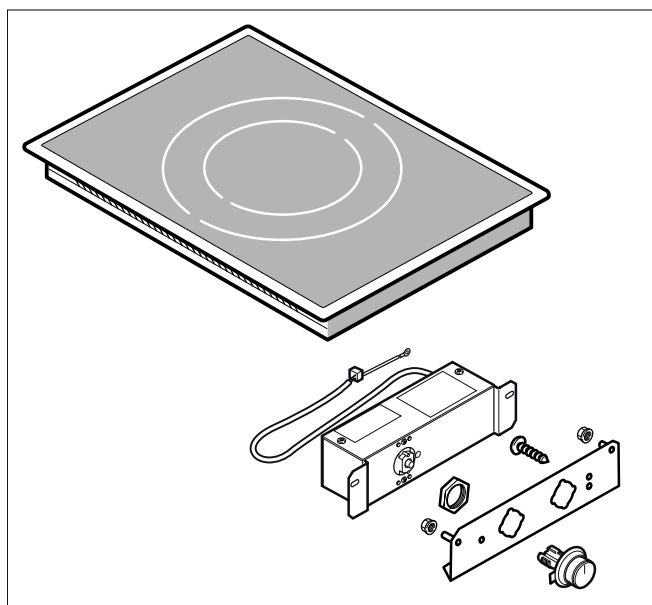
---

### Herramientas y piezas necesarias

- Destornillador con cabeza Phillips
- Lápiz
- Taladro con broca de 1/4" (6 mm)
- Sierra caladora
- Cinta métrica

**Nota:** Es posible que se necesiten otros materiales para la instalación en superficies de trabajo sólidas. Comuníquese con el fabricante de la superficie de trabajo.

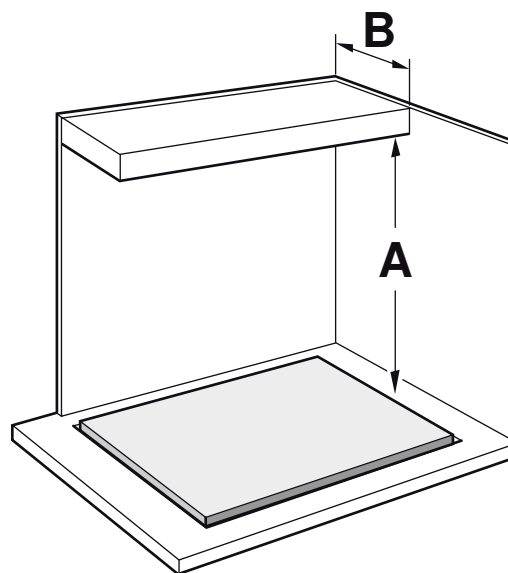
### Piezas incluidas



### Requisitos de gabinetes

La distancia desde la parte superior de la placa hasta la parte inferior de los gabinetes que se encuentran arriba deberá ser  $A=30"$  (762 mm) como mínimo. Esta distancia se puede reducir a  $A=24"$  (610 mm), cuando la parte inferior del gabinete de madera o metal está protegida por un cartón resistente al fuego de un grosor no inferior a 1/4" (6.35 mm), cubierto por una lámina de acero MSG N.º 28, acero inoxidable de 0.015" (0.4 mm) de grosor, aluminio de 0.024" (0.6 mm) o cobre de 0.020" (0.5 mm) de grosor como mínimo.

Compruebe que los gabinetes encima de la parrilla tengan un máximo de  $B=13"$  (330 mm) de fondo.



### Requisitos de la superficie de trabajo

---

#### ⚠ ADVERTENCIA

Para reducir el riesgo de ignición de materiales combustibles circundantes, instale la superficie de trabajo con una distancia de, al menos, 2" (51 mm) de ambas paredes laterales y de la pared posterior.

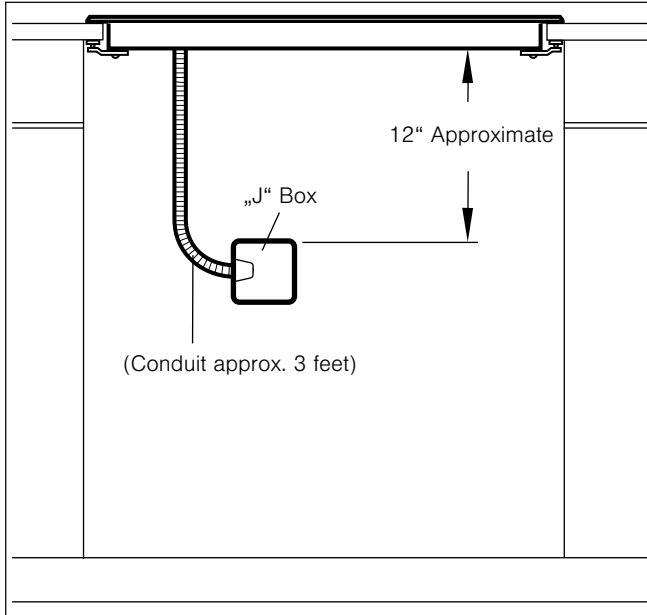
---

La superficie de trabajo debe ser horizontal y estar nivelada. La estabilidad de la superficie de trabajo debe estar garantizada incluso después de haber realizado el hueco.

Por norma general, las encimeras de superficie sólida requieren instalaciones especiales. Por ejemplo, es posible que se deba utilizar cinta ignífuga y esquinas redondeadas. Póngase en contacto con el fabricante de su encimera para obtener instrucciones sobre la misma.

## Requisitos eléctricos

En la parte inferior del aparato se encuentra la placa de características con las especificaciones eléctricas. La caja de conexiones debe colocarse a menos de 3 pies de la conexión de la encimera. Debe estar en un lugar de fácil acceso para las posibles intervenciones técnicas.



### Fuente de alimentación

Modelos VI 414 610, VI 424 610

Disyuntor de 20 A

240 Volt, 3 hilos, 60 Hz

208 Volt, 3 hilos, 60 Hz

Todo con un conducto flexible de 39" (1 m) (incluido)

## Preparación de los muebles de montaje

El mueble de empotrado tiene que resistir una temperatura de hasta 200° F (90°C). La estabilidad del mueble de empotrado tiene que quedar garantizada también después de los trabajos de corte para realizar un hueco.

Realice el hueco para uno o varios equipos Vario en la placa de trabajo, de acuerdo con los planos de montaje. El ángulo de la superficie de corte respecto a la placa de trabajo tiene que ser de 90°.

Los cantos laterales del corte tienen que ser planos, para garantizar una buena fijación de los resortes de sujeción en el equipo. En el caso de las placas de trabajo de varias capas, de ser necesario fije unos listones de madera a los lados del hueco.

Después de los trabajos de corte, retire las virutas Selle las superficies de corte de forma que resistan el calor y sean herméticas contra el agua.

Respete la distancia mínima de 3/8" (10 mm) de la parte inferior del equipo respecto a las partes del mueble.

El mueble de empotrado tiene que resistir una temperatura de hasta 90°C (200°F). La estabilidad del mueble de empotrado tiene que quedar garantizada también después de los trabajos de corte para realizar un hueco.

Realice el hueco para uno o varios equipos Vario en la placa de trabajo, de acuerdo con los planos de montaje. El ángulo de la superficie de corte respecto a la placa de trabajo tiene que ser de 90°.

Los cantos laterales del corte tienen que ser planos, para garantizar una buena fijación de los resortes de sujeción en el equipo. En el caso de las placas de trabajo de varias capas, de ser necesario fije unos listones de madera a los lados del hueco.

Después de los trabajos de corte, retire las virutas Selle las superficies de corte de manera que resistan el calor.

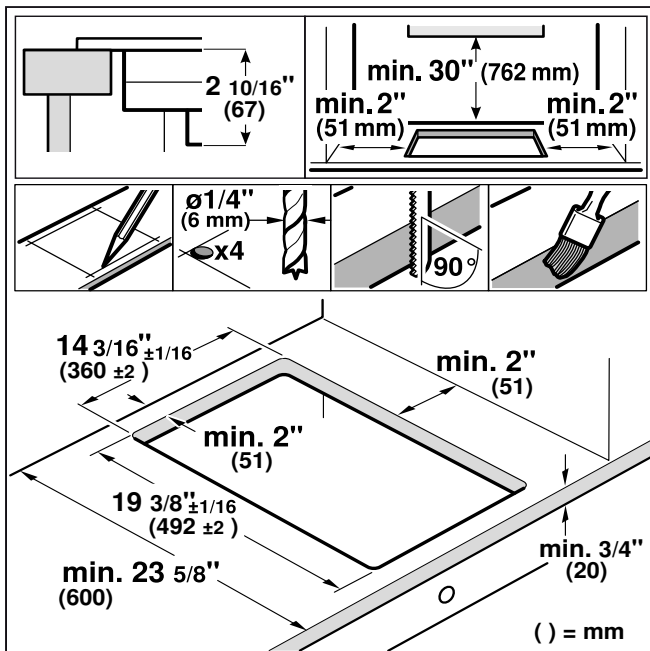
Respete la distancia mínima de 10 mm (3/8") de la parte inferior del equipo respecto a las partes del mueble.

La placa de trabajo tiene que reforzarse si en caso de una instalación sobrepuesta su espesor es menor a 20 mm ( $\frac{3}{4}$ " ) y en una instalación de superficies corridas es menor a 30 mm ( $1\frac{3}{16}$ " ). De otra forma no está garantizada una estabilidad suficiente. El material de refuerzo utilizado tiene que ser resistente al calor y la humedad.

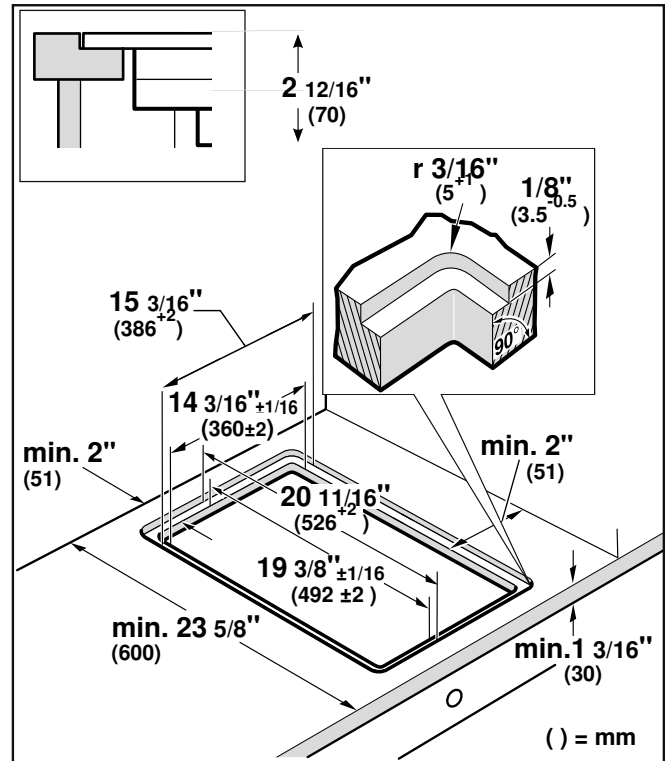
#### Notas

- La placa de trabajo en la que está integrada el electrodoméstico tiene que tener una capacidad de unos 60 kg.
- Revise la nivelación de la electrodoméstico solo después de instalarla en el espacio correspondiente.

### Recortar la encimera



**Montaje a ras de superficie:** se puede realizar un montaje a ras de superficie de la encimera. No monte el aparato por debajo del borde superior de la encimera.



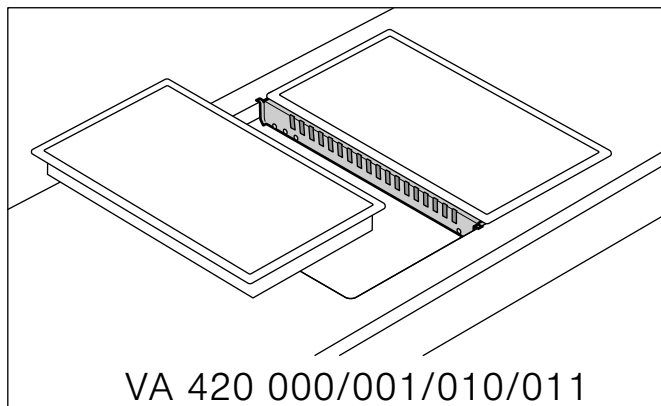
**Montaje a ras de superficie:** El aparato se puede montar en las siguientes encimeras resistentes a la temperatura y al agua:

- Encimeras de mármol
- Encimeras de plástico o Corian®
- Encimeras de madera maciza: Solo de acuerdo con el fabricante de la encimera (sellado de los bordes de recorte)
- Montaje en otro tipo de encimeras: solo de acuerdo con el fabricante de la encimera

No se puede realizar el montaje en encimeras de madera aglomerada.

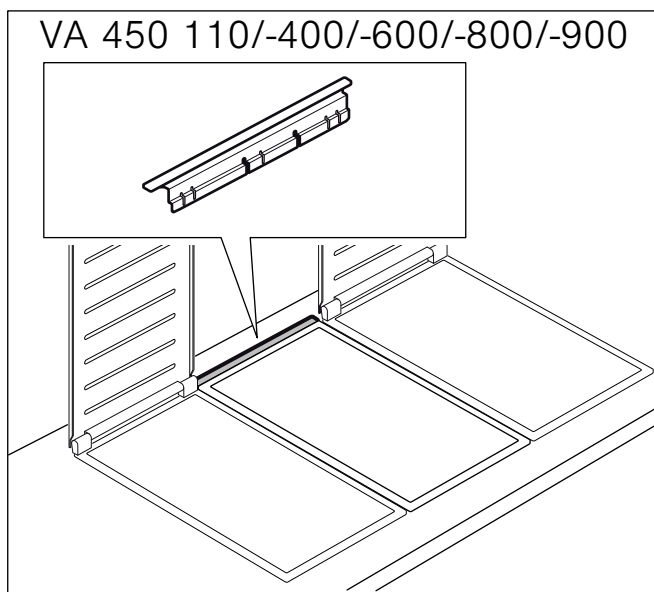
**Nota:** Todos los trabajos de recorte de la encimera deben ser realizados por un servicio especializado de acuerdo con el croquis de montaje. El recorte debe ser limpio y preciso, puesto que el borde cortado se ve en la superficie. Limpie y desengrase los bordes de recorte utilizando un producto de limpieza adecuado (consulte las indicaciones del fabricante de la silicona).

**Combinar varios aparatos Vario:** Para combinar varios aparatos Vario se requiere la barra de conexión VA 420 000/001/010/011. Esta está disponible por separado como accesorio especial. Considerar la necesidad adicional de espacio para la barra de conexión entre los aparatos al elaborar el corte (ver las Instrucciones de instalación VA 420 000/001/010/011).

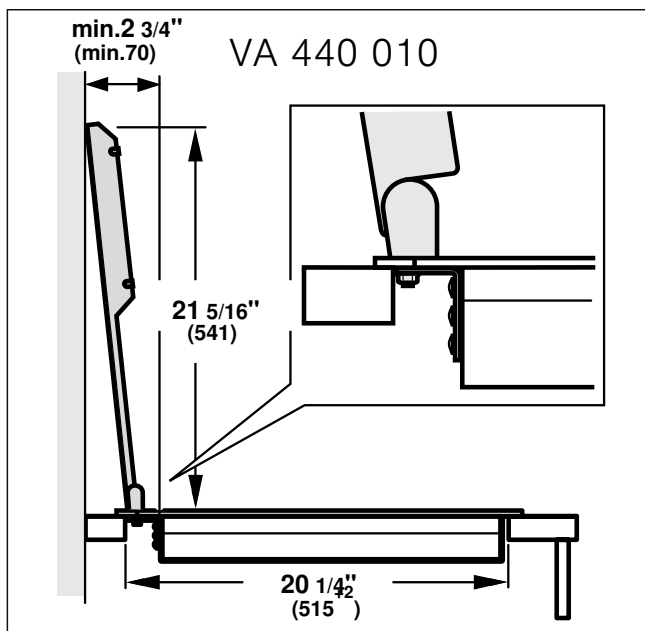


Los aparatos también se pueden montar en recortes independientes respetando las distancias mínimas de 2" (51 mm) entre aparatos.

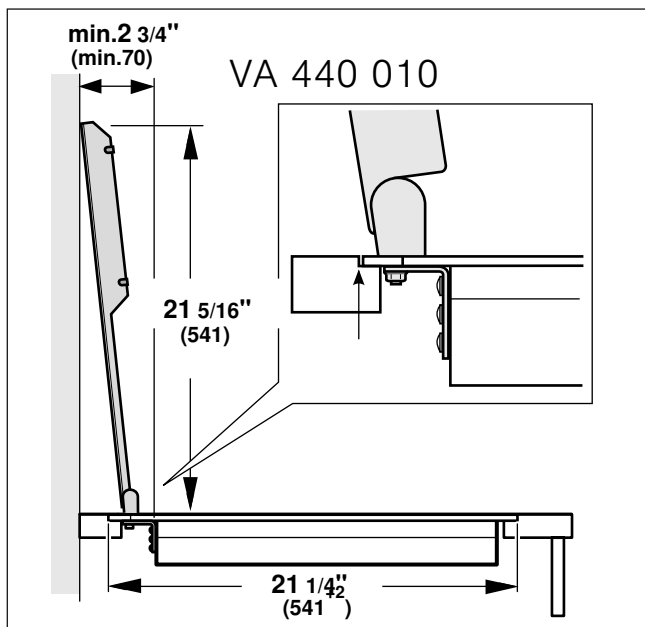
Para la combinación de aparatos con o sin cubierta de aparatos, se pueden compensar las diferencias de medidas mediante la prolongación de aparatos VA 450 110/-400/-600/-800/-900 (según el ancho del aparato).



**Combinación con cubierta para el aparato:** La cubierta del aparato VA 440 010 está disponible por separado como accesorio especial. Cuando haga el recorte, tenga en cuenta el espacio adicionales necesario para la cubierta del aparato.



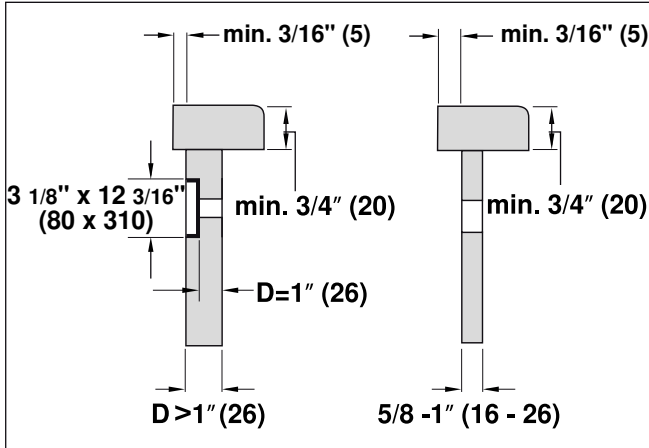
Montaje a ras de superficie:



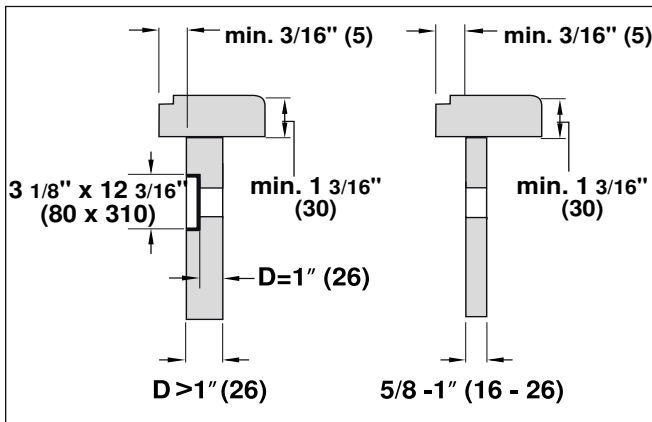
## Orificio para la maneta de mando

El panel de mandos se puede integrar a la altura de los cajones en el armario inferior. Grosor del panel:  $\frac{5}{8}$ " - 1" (16 - 26 mm)

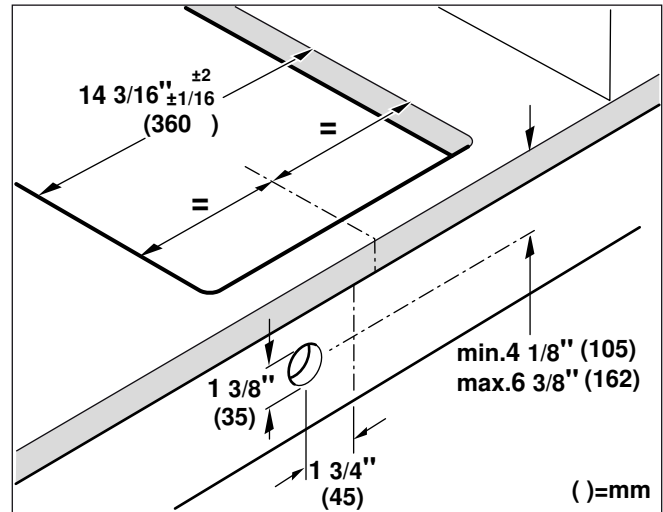
- 1 Si el panel frontal es más grueso de 1" (26 mm): rebaje la parte posterior del panel frontal a  $3\frac{1}{8}$ " x  $12\frac{3}{16}$ " (80 x 310), de manera que su anchura no sea superior a 1" (26 mm).



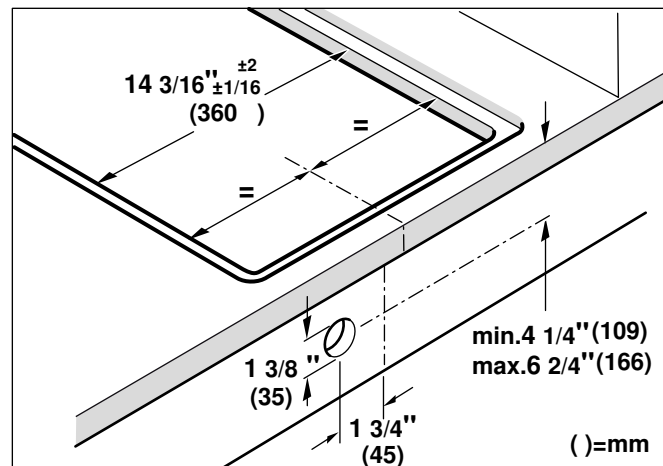
Montaje a ras de superficie:



- 2 Realice un orificio de  $\varnothing 1\frac{3}{8}$ " (35 mm) para fijar la maneta de mando en la parte frontal del mueble bajo de acuerdo con la ilustración. Hay disponible una plantilla de taladrado para poder colocar el orificio en la posición exacta.



Montaje a ras de superficie:



## Procedimiento de instalación

### Instalación del protector térmico

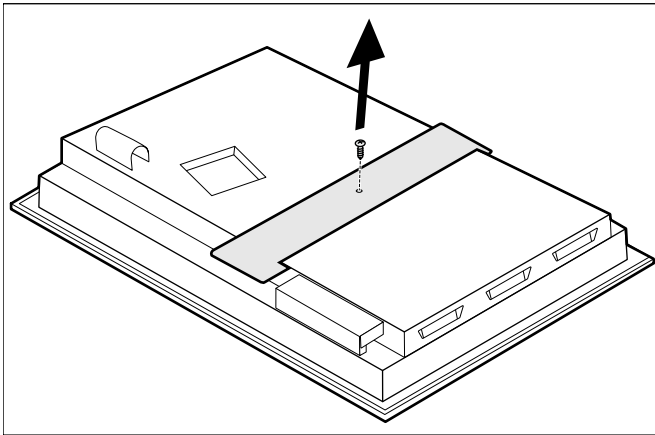
#### ATENCION

Bordes afilados. Utilice guantes de protección para instalar la placa.

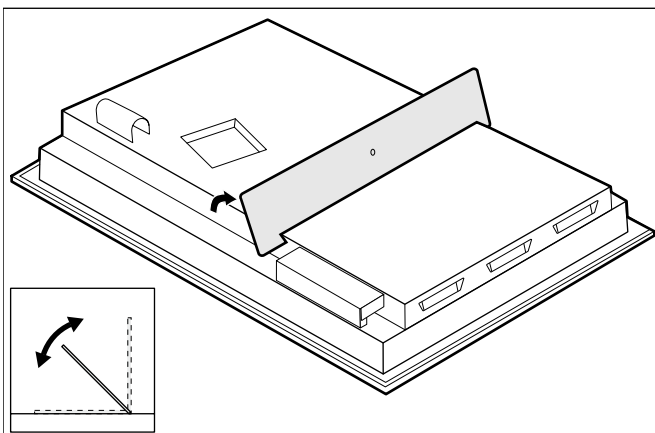
Por motivos de seguridad, el protector térmico debe instalarse correctamente. Su función es evitar que los componentes se calienten excesivamente a causa de la recirculación de aire por la encimera.

El protector térmico es igual de ancho que le encimera. Para el envío, se atornilla a la caja de quemadores.

Cuando haya retirado el embalaje de la encimera, desatornille el protector térmico.



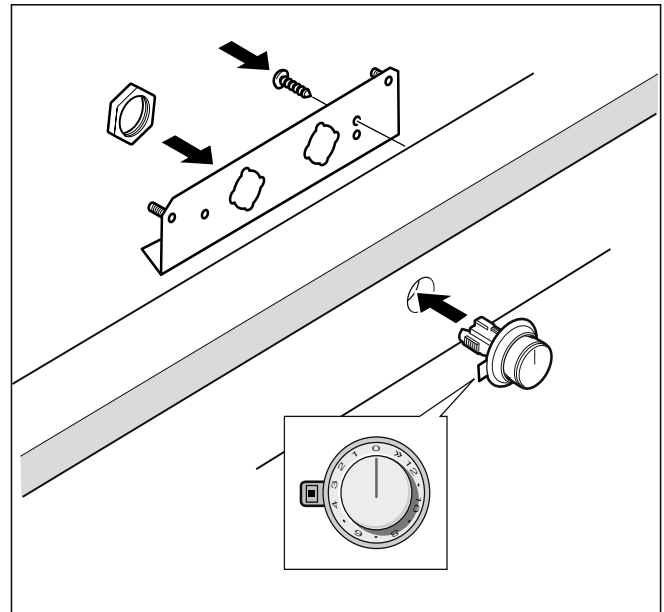
El protector térmico podrá girar libremente tal como se muestra en la ilustración.



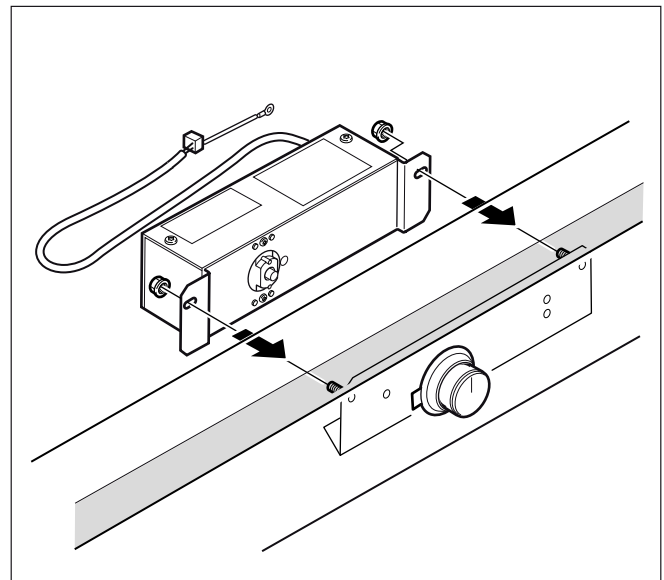
## Montar el panel de mandos

**Nota:** El aparato únicamente se debe montar con el panel de mandos correcto.

- 1 Retire el embalaje de la maneta de mando y extraiga la lámina de protección que hay detrás del anillo luminoso.
- 2 Sujete la chapa de fijación contra el panel frontal desde atrás. Introduzca el módulo de mando en el orificio desde delante y atornillela por detrás con la tuerca. Asegurar contra giro la chapa de sujeción mediante el tornillo adjunto.



- 3 Atornille el panel de mandos a la chapa de fijación utilizando las tuercas suministradas.



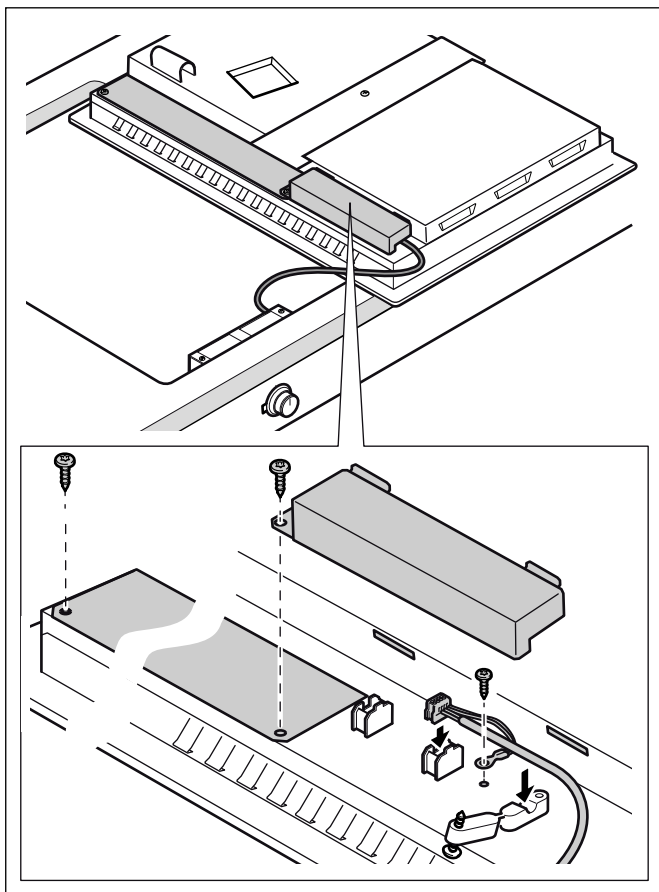


## Montaje del aparato

### **⚠ ADVERTENCIA**

Antes de enchufar un cable eléctrico o apagar la fuente de alimentación eléctrica, asegúrese de que todos los controles se encuentren en la posición OFF (Apagado).

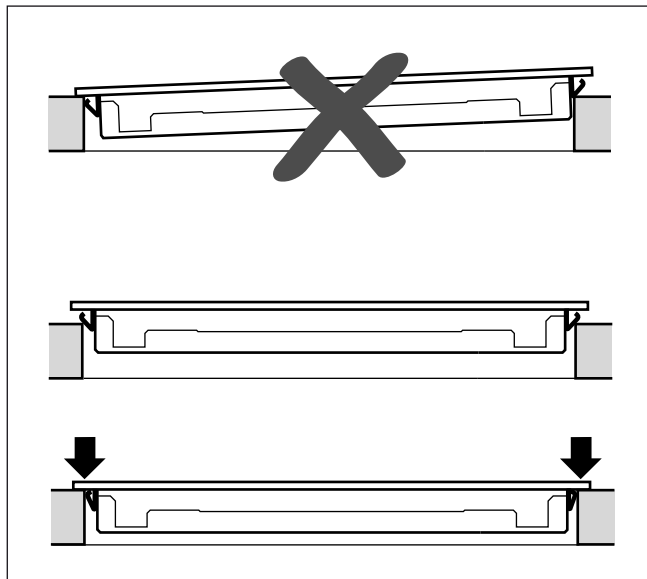
- 1 Extraiga el protector de conectores de la parte inferior de la placa de cocción y conecte el cable del panel de mandos a la toma de conexión de acuerdo con el croquis. Los conectores deben quedar enclavados. Realice la puesta a tierra y fije el cable en la pieza de alivio de tensiones. Vuelva a montar el protector de conectores.



- 2 Introduzca el aparato uniformemente en el recorte. Presione el aparato firmemente en el recorte.

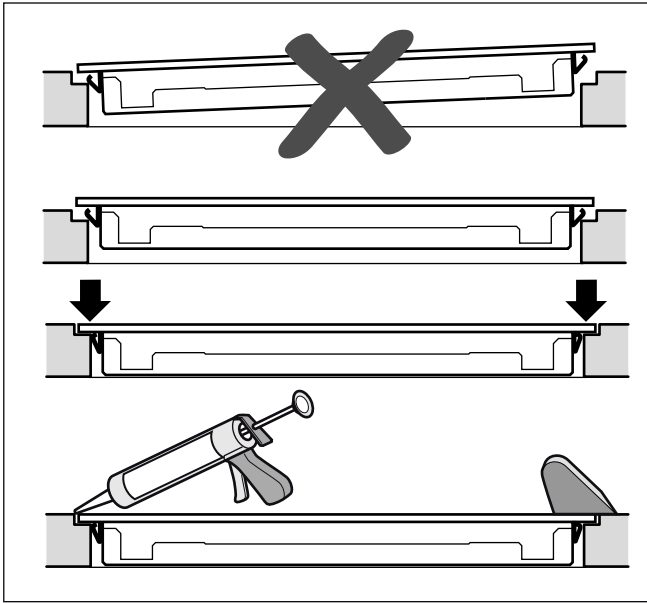
### **⚠ ATENCION**

Tenga cuidado de no doblar ni enganchar el cable de conexión.



- 3 **Solo para el montaje a ras de superficie:** Antes del sellado con junta ha de realizar necesariamente una prueba de funcionamiento! Rellenar la ranura que queda entre el mostrador y la placa de cocción con cola de silicón convencional adecuado en el color que desee. Seguir las instrucciones de uso que indica el fabricante. Aplicar el agente adhesivo de silicón en las juntas. Antes de que el agente adhesivo comience a formar una película, humedecer una cuchilla o el dedo con una solución jabonosa y alisar.

No ponga en marcha el aparato hasta que la silicona esté completamente seca (como mínimo 24 horas, dependiendo de la temperatura ambiente).



---

**⚠ ATENCION**

El uso de silicona inadecuada provoca cambios de color permanentes en las encimeras de mármol natural.

---

## Conexión de la alimentación eléctrica

Para más información, véase la placa de características. Véase la ubicación de la placa de características en "Servicio".

El amperaje máximo de los disyuntores derivados, la sección de los cables y las conexiones deben ser conformes con los requisitos del Reglamento electrotécnico nacional o el Reglamento eléctrico canadiense, así como con todos los demás reglamentos y disposiciones locales.

Conectar un conducto flexible a la caja de conexión. Conectar los cables a la fase correcta de los cables de alimentación de la caja de conexión:

- Negro (L1) a negro
- Rojo (L2) a rojo
- Verde o desnudo a masa

## Pruebe la instalación

---

**⚠ ADVERTENCIA**

Antes de enchufar un cable eléctrico o apagar la fuente de alimentación eléctrica, asegúrese de que todos los controles se encuentren en la posición OFF (Apagado).

---

Retire todos los objetos de la superficie de la placa. Limpie la superficie de la placa con crema de limpieza para placas.

Encienda el disyuntor.

Verifique que los elementos funcionen correctamente.

Si el anillo luminoso de la maneta de mando parpadea, significa que el cable de conexión entre el panel de mandos y el aparato no está bien conectado. Separe el aparato de la red eléctrica y compruebe que el cable de conexión esté colocado correctamente.

## Desmontaje del aparato

Desconecte el aparato de la corriente. En los aparatos montados a ras de superficie, retire la junta de silicona. Extraiga el aparato presionando desde abajo.

---

**⚠ ATENCION**

¡Daños en el aparato! No intente extraer el aparato haciendo palanca desde arriba.

---

---

## Servicio de atención al cliente

---

Si su aparato necesita una reparación, nuestro servicio de atención al cliente estará encantado de ayudarle. Siempre encontramos la solución adecuada, incluso para evitar visitas innecesarias de los técnicos.

Cuando llame por teléfono, indique la referencia del producto (Nº E) y el número de fabricación (Nº FD) para que podamos ofrecerle un servicio cualificado. La placa de identificación con los números correspondientes los encontrará en la parte inferior del aparato. Para evitar tener que buscar los datos de su aparato cuando los precise, es aconsejable anotarlos aquí conjuntamente con el número de teléfono del Servicio de atención al cliente.

---

Nº E.

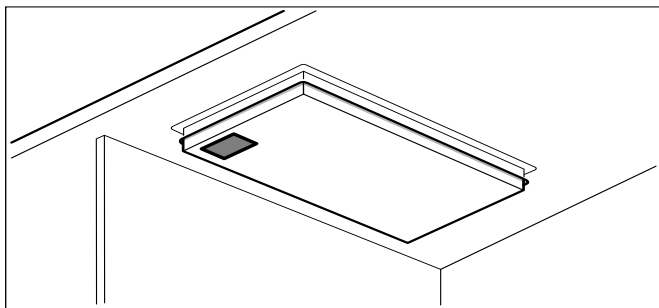
Nº FD.

---

Servicio de atención al cliente ☎

---

Tenga en cuenta que la visita del técnico del servicio de atención al cliente no es gratuito en caso de que el mal funcionamiento sea debido a un manejo incorrecto del aparato.



Las señas de las delegaciones internacionales figuran en la lista adjunta de centros y delegaciones del Servicio de Asistencia Técnica Oficial.

### Solicitud de reparación y asesoramiento en caso de averías

US 877 442 4436  
toll-free

Confíe en la competencia del fabricante. De esa forma se asegura de que la reparación se lleva a cabo por personal técnico debidamente instruido, equipado con las piezas originales y de repuesto necesarias para su aparato.

**Gaggenau**

BSH Home Appliances Ltd.  
1901 Main Street, Suite 600  
Irvine, CA 92614  
+1.877.442.4436  
USA  
[www.gaggenau-usa.com](http://www.gaggenau-usa.com)

**Gaggenau Hausgeräte GmbH**

Carl-Wery-Straße 34  
81739 München  
GERMANY

**GAGGENAU**



9000710519 en-us, es-mx, fr-ca (931210)