



RB 292

en Table of Contents

Safety and warning information	3	Freezer compartment	11
Before you switch ON the appliance	3		
Technical safety	3	Max. freezing capacity	11
Important information when using the appliance	3		
Children in the household	4	Freezing and storing food	11
General regulations	4	Purchasing frozen food	11
		When loading products	11
		Storing frozen food	11
Information concerning disposal	4		
 Disposal of packaging	4	Freezing fresh food	12
 Disposal of your old appliance	4	Packing frozen food	12
		Shelf life of frozen food	12
Scope of delivery	4		
		Fast freezing	12
Ambient temperature and ventilation	5	Switching on and off	12
Ventilation	5		
		Thawing frozen food	13
Installing the appliance	5		
Distance from wall	5	Special features	13
Aligning the appliance	6	Shelves and containers	13
		Wine and champagne rack	13
Connecting the appliance	6	Vegetable container with humidity control	14
Electrical connection	6	Chiller compartment	14
		Glass tray	14
Getting to know your appliance	7	Ice pack	14
Fascia	8	Active carbon filters	14
Switching the appliance on	8	Switching off and disconnecting the appliance	15
Operating tips	8	Switching the appliance off	15
		Disconnecting the appliance	15
Setting the temperature	9		
Refrigerator compartment	9	Cleaning the appliance	15
Freezer compartment	9		
		Light (LED)	15
Energy saving mode	9		
		Tips for saving energy	16
Alarm function	9		
Door alarm	9	Operating noises	16
Temperature alarm	9	Quite normal noises	16
Switching off the alarm	9	Preventing noises	16
Usable capacity	10	Eliminating minor faults yourself	17
Fully utilising the freezer volume	10		
		Customer service	19
Refrigerator compartment	10		
Note when loading products	10		
Fast cooling	10		
Switching on and off	10		

Safety and warning information

Before you switch ON the appliance

Please read the operating and installation instructions carefully. They contain important information on how to install, use and maintain the appliance.

Retain all documents for subsequent use or for the next owner.

Technical safety

This appliance contains a small quantity of environmentally-friendly but flammable R600a refrigerant.

Ensure that the tubing of the refrigerant circuit is not damaged during transportation and installation.

Leaking refrigerant may cause eye injuries or ignite.

If damage has occurred

- Keep naked flames and/or ignition sources away from the appliance.
- Thoroughly ventilate the room for several minutes.
- Switch off the appliance and pull out the mains plug.
- Notify customer service.

The more refrigerant an appliance contains, the larger the room must be. Leaking refrigerant can form a flammable gas-air mixture in rooms which are too small. The room must be at least 1 m³ per 8 g of refrigerant. The amount of refrigerant in your appliance is indicated on the rating plate inside the appliance.

If the power cord of this appliance is damaged, it must be replaced by the manufacturer, customer service or a similarly qualified person. Improper installations and repairs may put the user at considerable risk.

Repairs may be performed by the manufacturer, customer service or a similarly qualified person only.

Only original parts supplied by the manufacturer may be used. The manufacturer guarantees that only these parts satisfy the safety requirements.

A extension cable may be purchased from customer service only.

Important information when using the appliance

- Never use electrical appliances inside the appliance (e.g. heater, electric ice maker, etc.). Risk of explosion!
- Never use a steam cleaner to defrost or clean the appliance! The steam may penetrate electrical parts and cause a short-circuit. Risk of electric shock!
- Do not use pointed or sharp-edged implements to remove frost or layers of ice. You could damage the refrigerant tubing. Leaking refrigerant may ignite or cause eye injuries.
- Do not store products which contain flammable propellants (e.g. spray cans) or explosive substances in the appliance. Risk of explosion!
- Do not stand on or lean heavily against base of appliance, drawers or doors, etc
- Before defrosting and cleaning the appliance, pull out the mains plug or switch off the fuse. Do not pull out the mains plug by tugging the cable.
- Bottles which contain a high percentage of alcohol must be sealed and stored in an upright position.
- Keep plastic parts and the door seal free of oil and grease. Otherwise, parts and door seal will become porous.
- Never cover or block the ventilation openings for the appliance.
- People (children incl.) who have limited physical, sensory or mental abilities or inadequate knowledge must not use this appliance unless they are supervised or given meticulous instructions.
- Do not store bottled or canned drinks (especially carbonated drinks) in the freezer compartment. Bottles and cans may explode!
- Never put frozen food straight from the freezer compartment into your mouth. Risk of low-temperature burns!
- Avoid prolonged touching of frozen food, ice or the evaporator pipes, etc. Risk of low-temperature burns!

Children in the household

- Keep children away from packaging and its parts. Danger of suffocation from collapsible boxes and foil!
- Do not allow children to play with the appliance!
- If the appliance features a lock, keep the key out of the reach of children!

General regulations

The appliance is suitable

- for refrigerating and freezing food,
- for making ice.

The appliance is intended for domestic use only.

The appliance is suppressed according to EU Directive 2004/108/EC.

The refrigeration circuit has been checked for leaks.

This product complies with the relevant safety regulations for electrical appliances (EN 60335-2-24).

Information concerning disposal

Disposal of packaging

The packaging protects your appliance from damage during transit. All utilised materials are environmentally safe and recyclable. Please help us by disposing the packaging in an environmentally friendly manner.

Please ask your dealer or inquire at your local authority about current means of disposal.

Disposal of your old appliance

Old appliances are not worthless rubbish! Valuable raw materials can be reclaimed by recycling old appliances.



This appliance is identified according to the European guideline 2002/96/EC on Waste Electrical and Electronic Equipment – WEEE. The directive specifies the framework for an EU-wide valid return and recycling of old appliances.

Warning

Redundant appliances

1. Pull out the mains plug.
2. Cut off the power cord and discard with the mains plug.
3. Do not take out the trays and receptacles: children are therefore prevented from climbing in!
4. Do not allow children to play with the appliance once it has spent its useful life. Danger of suffocation!

Refrigerators contain refrigerant and gases in the insulation. Refrigerant and gases must be disposed of professionally. Ensure that tubing of the refrigerant circuit is not damaged prior to proper disposal.

Scope of delivery

After unpacking all parts, check for any damage in transit.

If you have any complaints, please contact the dealer from whom you purchased the appliance or our customer service.

The delivery consists of the following parts:

- Free-standing appliance
- Interior fittings (depending on model)
- Operating instructions
- Installation instructions
- Customer service booklet
- Warranty enclosure
- Information on the energy consumption and noises
- Bag containing installation materials

Ambient temperature and ventilation

The climate class can be found on the rating plate. The climate class indicates within which ambient temperatures the appliance can be operated.

Climate class	Permitted ambient temperature
SN	+10 °C to 32 °C
N	+16 °C to 32 °C
ST	+16 °C to 38 °C
T	+16 °C to 43 °C

Note

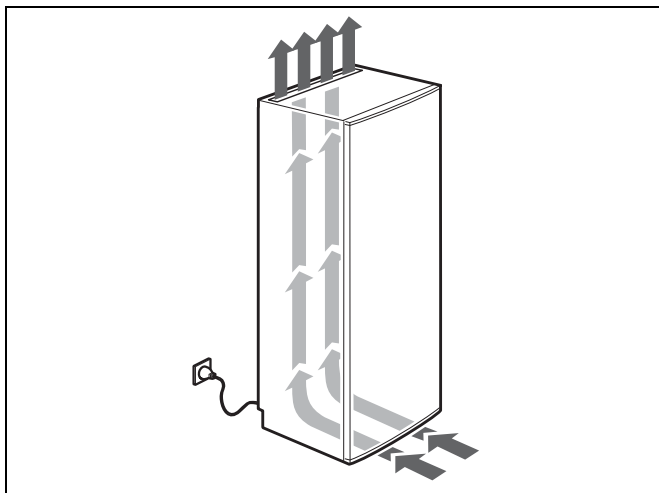
The appliance is fully functional within the room temperature limits of the indicated climatic class. If an appliance of climatic class SN is operated at colder room temperatures, the appliance will not be damaged up to a temperature of +5 °C.

Ventilation

The air on the rear panel of the appliance heats up. This area needs to be well ventilated. Otherwise, the refrigeration unit will work harder, this increases energy consumption.

Therefore: Never cover or block the ventilation openings!

We recommend a distance of 70 mm from the back wall.



Installing the appliance

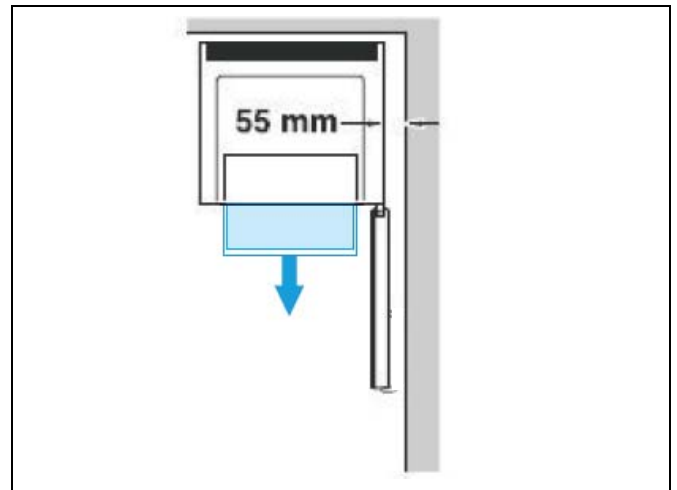
Install the appliance in a dry, well ventilated room. The installation location should neither be exposed to direct sunlight nor near a heat source, e.g. a cooker, radiator, etc. If installation next to a heat source is unavoidable, use a suitable insulating plate or observe the following minimum distances to a heat source:

- 3 cm to electric or gas cookers.
- 30 cm to an oil or coal-fired cooker.

The floor of the installation location must not give way. If required, reinforce floor. The appliance must be perpendicular.

Distance from wall

If appliances feature a glass front, the hinge side must be at least 55 mm from the wall to ensure that the doors can be opened by 90°.

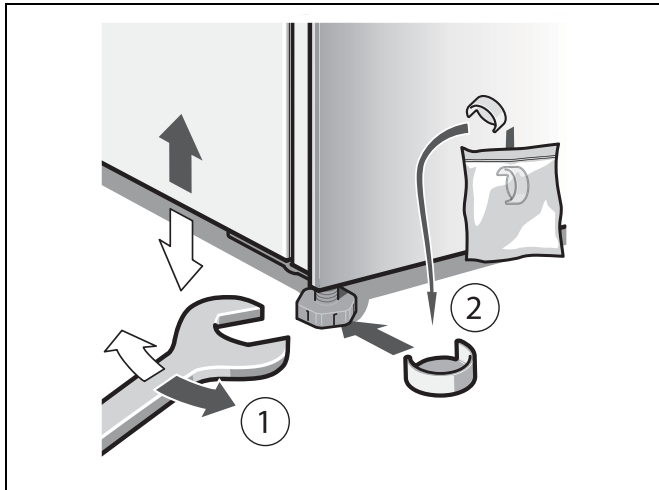


Aligning the appliance

Place the appliance in the designated location and align. The appliance must be level. If the floor is uneven, use the front height-adjustable feet. Adjust the height-adjustable feet with a socket wrench.

Note

The appliance must be upright. Please align it with a spirit level.



Connecting the appliance

After installing the appliance, wait at least 1 hour until the appliance starts up. During transportation, the oil contained in the compressor may run into the refrigeration system.

Before switching on the appliance for the first time, clean the interior. See Cleaning the appliance.

Electrical connection

The socket must be near the appliance and also freely accessible following installation of the appliance.

The appliance complies with the protection class I. Connect the appliance to 220–240 V/50 Hz alternating current via a correctly installed socket with protective conductor. The socket must be fused with a 10 to 16 A fuse.

For appliances operated in non-European countries, check whether the stated voltage and current type match the values of your mains supply match the values of the mains supply. These specifications can be found on the rating plate.



⚠ Warning

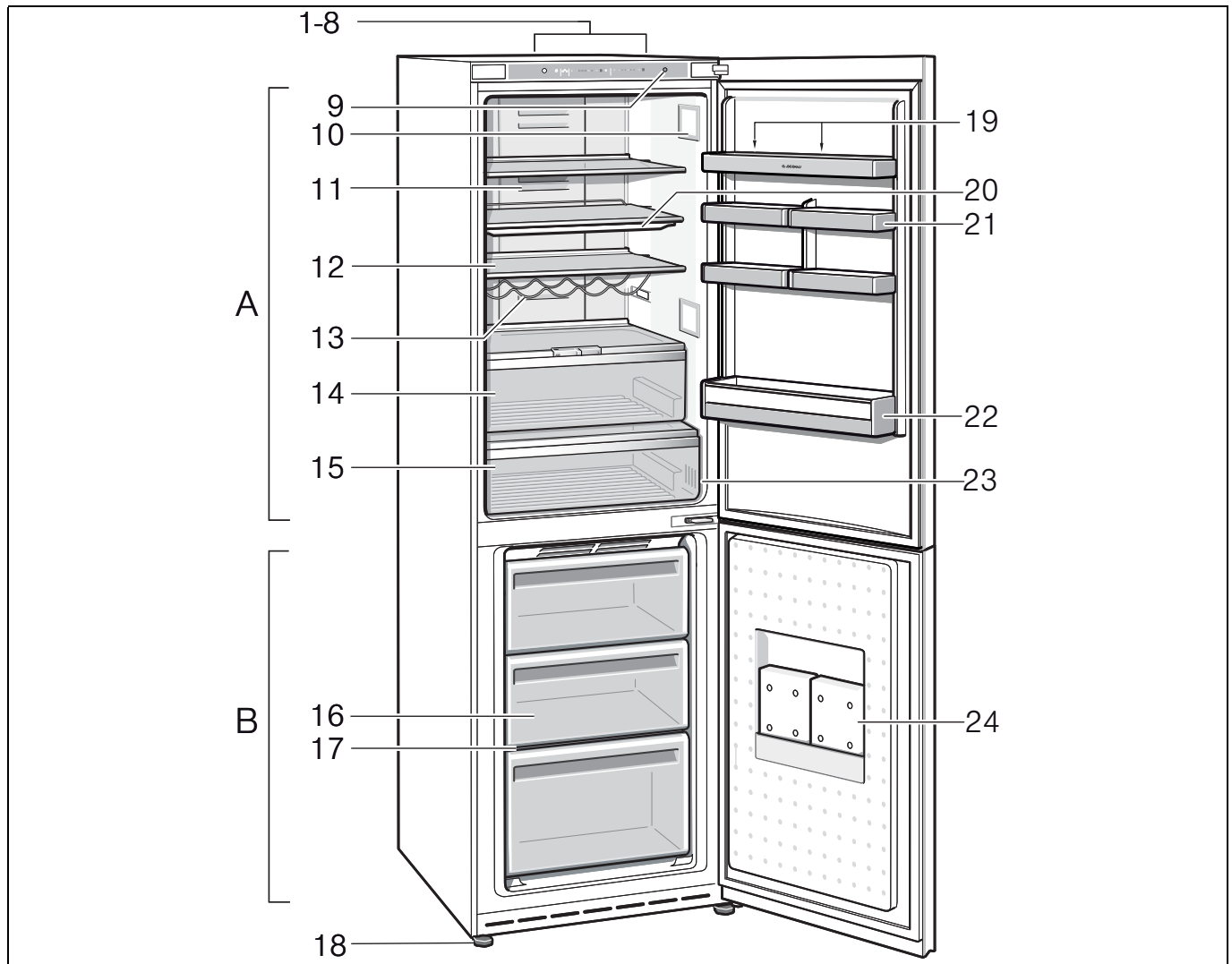
Never connect the appliance to electronic energy saver plugs.

Our appliances can be used with mains and sine-controlled inverters. Mains-controlled inverters are used for photovoltaic systems which are connected directly to the power supply system. Sine-controlled inverters must be used for isolated applications (e.g. on ships or in mountain lodges) which are not connected directly to the national grid.

Getting to know your appliance

These operating instructions apply to several models.

The diagrams may differ.

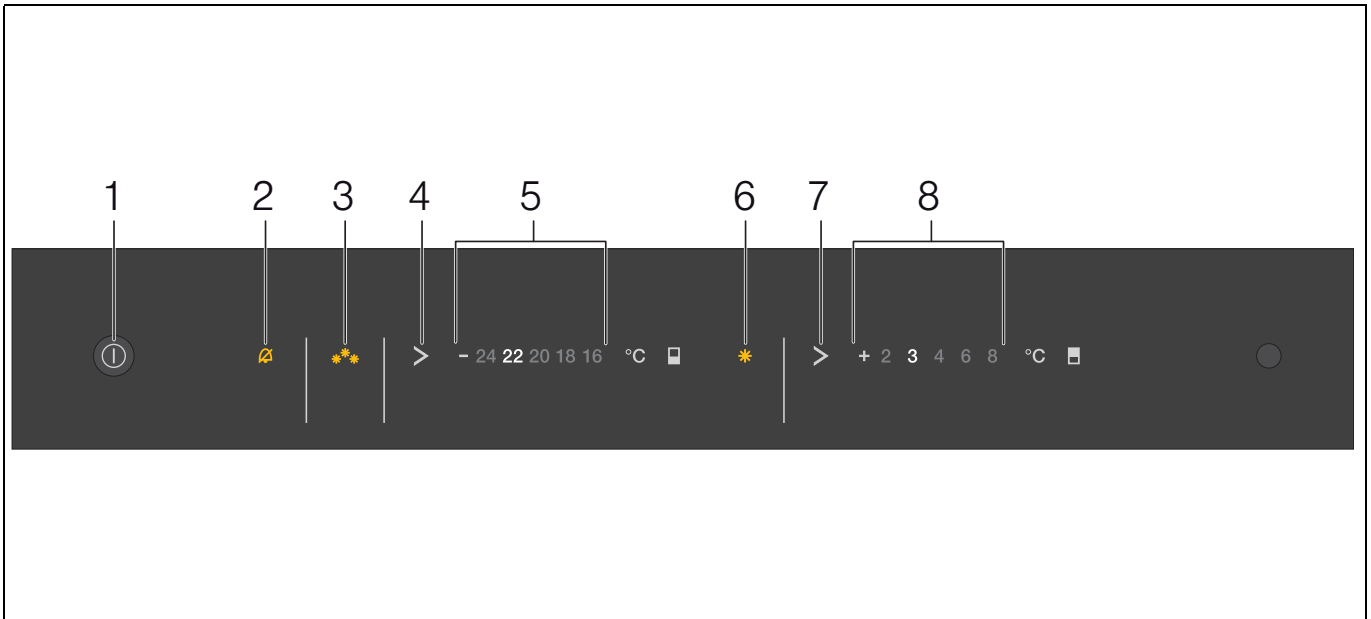


* not all models

- | | | | |
|-----|-----------------------------------------|----|---------------------------------|
| A | Refrigerator compartment | 16 | Freezer drawer |
| B | Freezer compartment | 17 | Freezer shelf |
| 1-8 | Fascia | 18 | Height-adjustable feet |
| 9 | Light switch | 19 | Egg tray |
| 10 | Light (LED) | 20 | Glass tray |
| 11 | Air outlet opening | 21 | Butter and cheese compartment * |
| 12 | Shelves in the refrigerator compartment | 22 | Shelf for large bottles |
| 13 | Wine and champagne rack | 23 | Active carbon filters |
| 14 | Vegetable container | 24 | Ice pack |
| 15 | Chiller compartment | | |

Fascia

* not all models



1 On/Off button

Serves to switch the whole appliance on and off.

2 Alarm button

Used to switch off the warning signal (see chapter "Alarm function").

3 Fast freezing button

Switches fast freezing on and off. See Fast freezing section.

4 Temperature setting button freezer compartment

The button sets the temperature in the freezer compartment. The freezer compartment temperature can be set from -24 °C to -16 °C.

5 Temperature display freezer compartment

The numbers correspond to the set freezer compartment temperatures in °C.

6 Fast cooling button

Is used to switch fast cooling on and off. See Fast cooling section.

7 Refrigerator compartment temperature setting button

The button sets the temperature in the refrigerator compartment. The refrigerator compartment temperature can be selected from +2 °C to +8 °C.

8 Temperature display refrigerator compartment

The numbers correspond to the set refrigerator compartment temperatures in °C.

Switching the appliance on

Press the On/Off button **1**.

A warning signal sounds and alarm button **2** flashes.

Press the alarm button **2**. The warning signal switches off.

The alarm button **2** remains lit until the set freezer compartment temperature has been reached.

If the door is open, the interior light in the refrigerator compartment is lit up.

Note

If the light switch is pressed when the door is open, the interior light goes out as well as the control panel displays.

The factory has recommended the following temperatures:

- Refrigerator compartment: +4 °C
- Freezer compartment: -18 °C

Operating tips

After the appliance has been switched on, it may take several hours until the set temperatures have been reached.

The fully automatic No Frost system keeps the freezer compartment and refrigerator compartment free of ice. Defrosting is not required.

The sides of the housing are sometimes heated slightly. This prevents condensation in the area of the door seal.

If you cannot open the freezer compartment door immediately after closing it, wait 2–3 minutes until the partial vacuum has equalised.

Selecting the temperature

Fridge

The temperature can be set from +2 °C to +8 °C.

Keep pressing temperature setting button **7** until the required refrigerator compartment temperature is set. The value last selected is saved.

The set temperature is indicated on display **8**.

We recommend a setting of +4 °C.

Perishable food should not be stored above +4 °C.

Freezer compartment

The temperature can be set from -16 °C to -24 °C.

Keep pressing temperature setting button **4** until the required freezer compartment temperature is set. The value last selected is saved.

The set temperature is indicated on display **5**.

We recommend a setting of -18 °C in the freezer compartment.

Energy saving mode

When the appliance is not used for about twenty-four hours the display on the fascia switches to energy saving mode.

Only the required lamps are lit with reduced luminosity.

As soon as the appliance is in use again, e.g. when the door is opened, the display switches back to normal illumination.

Alarm function

In the following cases an alarm may be actuated:

Door alarm

The door alarm switches on if an appliance door is left open for longer than one minute. Close the door to switch off the warning signal.

Temperature alarm

The temperature alarm switches on if the freezer compartment is too warm and the frozen food is at risk of thawing.

Alarm button	Explanation
illuminates	Temperature warning: Frozen food is not at risk of thawing.
flashes	Thaw warning: Frozen food is or was at risk of thawing.

The alarm may switch on without any risk to the frozen food:

- when the appliance is switched on,
- when large quantities of fresh food are placed in the appliance,
- if the freezer compartment door is open too long.

Note

Do not refreeze thawing or thawed food. Only ready meals (boiled or fried) may be refrozen.

No longer store the frozen produce for the max. storage period.

Switching off the alarm

Press the alarm button **2** to switch off the alarm.

Usable capacity

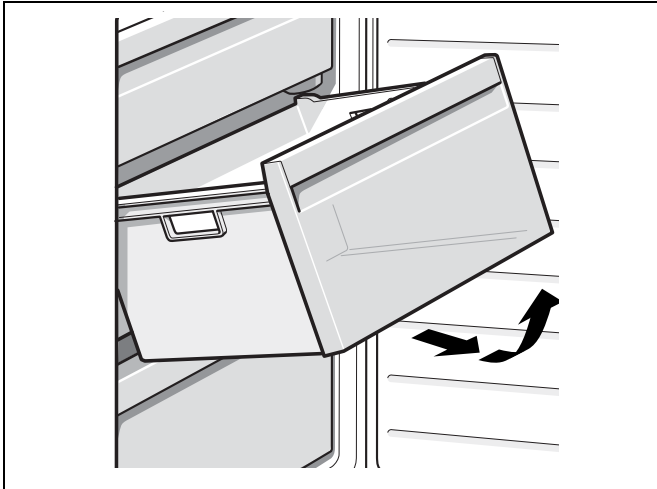
Information on the usable capacity can be found inside your appliance on the rating plate.

Fully utilising the freezer volume

The maximum amount of food can be placed in the freezer by removing all fittings. The food can be stacked directly on the shelves and in the bottom of the freezer compartment.

Removing the fittings

Pull out the frozen food container all the way, lift at the front and remove.



Refrigerator compartment

The refrigerator compartment is the ideal storage location for ready meals, cakes and pastries, preserved food, condensed milk, hard cheese, fruit and vegetables sensitive to cold as well as tropical fruit.

Note when loading products

Wrap or cover food before placing in the appliance. This will retain the aroma, colour and freshness of the food. In addition, flavours will not be transferred between foods and the plastic parts will not become discoloured.

Allow warm food and drinks to cool down before placing in the appliance.

Note

Avoid contact between food and rear panel. Otherwise the air circulation will be impaired.

Food or packaging could freeze to the rear panel.

Fast cooling

Fast cooling sets the refrigerator temperature to the coldest temperature setting for approx. 6 hours. Then the appliance automatically switches to the temperature set prior.

Switch on fast cooling mode, e.g.:

- before placing large quantities of food in the refrigerator compartment.
- to cool drinks quickly.

Switching on and off

Press fast cooling button **6**.

The button is lit when fast cooling is switched on.

Freezer compartment

Use the freezer compartment

- To store deep-frozen food.
- To make ice cubes.
- To freeze food.

Note

Ensure that the freezer compartment door has been closed properly. If the door is open, the frozen food will thaw. The freezer compartment will become covered in thick ice. Also: waste of energy due to high power consumption!

Max. freezing capacity

Information about the max. freezing capacity within 24 hours can be found on the rating plate.

Freezing and storing food

Purchasing frozen food

Packaging must not be damaged.

Use by the "use by" date.

Temperature in the supermarket freezer must be $-18\text{ }^{\circ}\text{C}$ or lower.

If possible, transport deep-frozen food in an insulated bag and place quickly in the freezer compartment.

When loading products

Freeze large quantities of food preferably in the very top compartment where food freezes particularly quickly and therefore also gently. Place the food over the whole area of the compartments or in the frozen food container. Food which is already frozen must not come into contact with the food which is to be frozen. If required, move the frozen food to the frozen food container.

Storing frozen food

To ensure good air circulation in the appliance, insert the frozen food container all the way.

If large quantities of food are to be stored in the freezer, all the frozen food containers (except the bottom one) can be taken out of the appliance and the food stacked directly on the freezer shelves.

To remove a frozen food container, pull out all the way, lift at the front and remove.

Freezing fresh food

Freeze fresh and undamaged food only.

To retain the best possible nutritional value, flavour and colour, vegetables should be blanched before freezing. Aubergines, peppers, zucchini and asparagus do not require blanching.

Literature on freezing and blanching can be found in bookshops.

Note

Keep food which is to be frozen away from food which is already frozen.

The following foods are suitable for freezing:

Cakes and pastries, fish and seafood, meat, game, poultry, vegetables, fruit, herbs, eggs without shells, dairy products such as cheese, butter and quark, ready meals and leftovers such as soups, stews, cooked meat and fish, potato dishes, soufflés and desserts.

The following foods are not suitable for freezing:

Types of vegetables, which are usually consumed raw, such as lettuce or radishes, eggs in shells, grapes, whole apples, pears and peaches, hard-boiled eggs, yoghurt, soured milk, sour cream, crème fraîche and mayonnaise.

Packing frozen food

To prevent food from losing its flavour or drying out, place in airtight containers.

1. Place food in packaging.
2. Remove air.
3. Seal the wrapping.
4. Label packaging with contents and date of freezing.

Suitable packaging:

Cling wrap, tubular film made of polyethylene, aluminium foil, freezer containers.

These products are available from specialist outlets.

Unsuitable packaging:

Wrapping paper, greaseproof paper, cellophane, bin liners and used shopping bags.

Items suitable for sealing packaged food:

Rubber bands, plastic clips, string, cold-resistant adhesive tape, etc.

Bags and tubular film made of polyethylene can be sealed with a film heat sealer.

Shelf life of frozen food

Depends on the type of food.

At a temperature of -18 °C:

- Fish, sausage, ready meals and cakes and pastries:
up to 6 months
- Cheese, poultry and meat:
up to 8 months
- Vegetables and fruit:
up to 12 months

Fast freezing

Food should be frozen solid as quickly as possible in order to retain vitamins, nutritional value, appearance and flavour.

To prevent an undesirable temperature rise when placing fresh food in the freezer compartment, switch on fast freezing several hours beforehand. As a rule, 4-6 hours is adequate.

If the max. freezing capacity is to be used, fast freezing must be switched on for 24 hours before the fresh produce is placed in the freezer compartment.

Smaller quantities of food (up to 2 kg) can be frozen without Fast freezing.

Note

When fast freezing is switched on, increased operating noises may occur.

Switching on and off

Press fast freezing button **3**.

If the fast freezing has been switched on the button is lit.

Fast freezing automatically switches off after approx. 2½ days.

Thawing frozen food

Depending on the type and application, select one of the following options:

- at room temperature
- in the refrigerator
- in an electric oven, with/without fan assisted hot-air
- in the microwave

Attention

Do not refreeze thawing or thawed food. Only ready meals (boiled or fried) may be refrozen.

No longer store the frozen produce for the max. storage period.

Special features

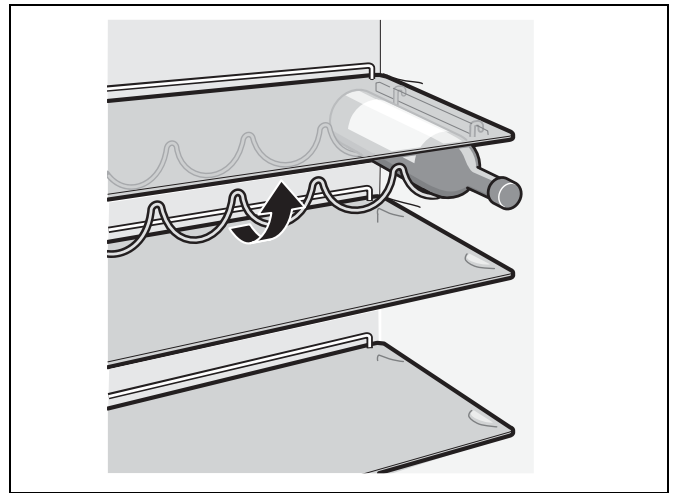
(not all models)

Shelves and containers

You can reposition the inner shelves and the containers in the door as required: pull shelf forwards, lower and swivel out to the side. Lift the container and remove.

Wine and champagne rack

Bottles can be stored securely on the wine and champagne rack. The rack can be adjusted.



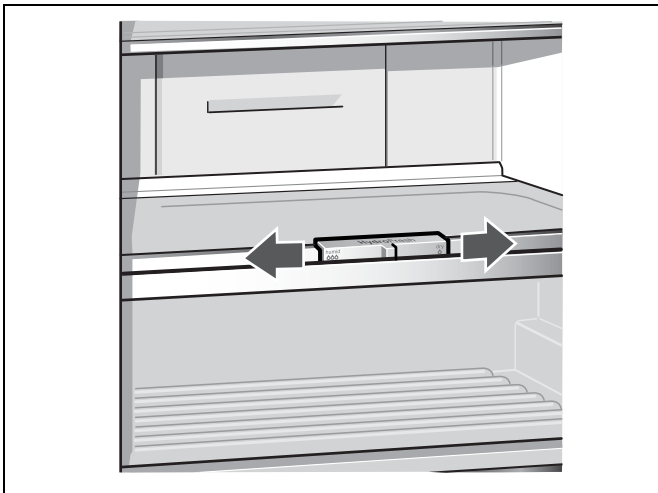
Vegetable container with humidity control

To create the optimum storage climate for vegetables, salad and fruit, the air humidity in vegetable container can be regulated according to the quantity stored.

The humidity monitor allows fresh food to be stored up to twice as long as in the normal cooling zone without loss of freshness.

Smaller quantities of food -
slide the regulator to the left.

Larger quantities of food -
slide the regulator to the right.

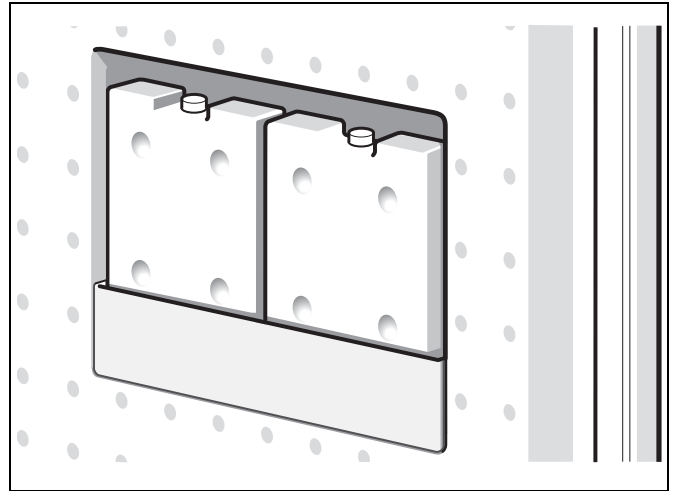


Ice pack

If a power failure or malfunction occurs, the ice packs can be used to slow down the thawing process. The longest storage time is obtained by placing the ice pack directly on the food in the top compartment.

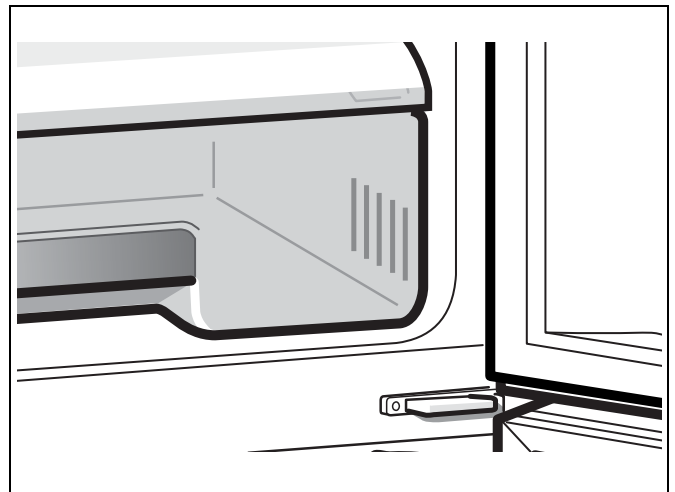
To save space, the ice pack can be stored in the door compartment.

The ice packs can also be used to cool food temporarily, e.g. in a cold bag.



Active carbon filters

The activated carbon filter ensures that air is replaced and odours reduced in the appliance.

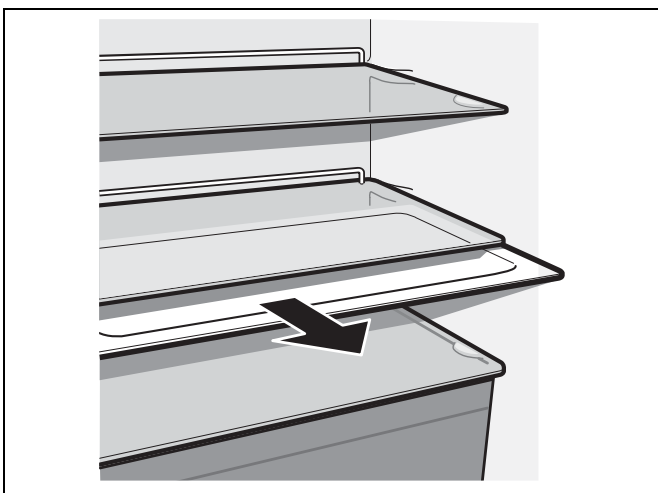


Chiller compartment

The chiller compartment has lower temperatures than the refrigerator compartment. Even temperatures below 0 °C may occur.

Ideal for storing fish, meat and sausage. Not suitable for lettuce and vegetables and produce sensitive to cold.

Glass tray



Switching off and disconnecting the appliance

Switching the appliance off

Press the On/Off button 1.

Temperature display goes out, refrigeration unit switches off.

Disconnecting the appliance

If you do not use the appliance for a prolonged period:

1. Switch the appliance off.
2. Pull out mains plug or switch off fuse.
3. Clean the appliance.
4. Leave the appliance door open.

Cleaning the appliance

Attention

Only use the “Chromol” clean agent when cleaning the stainless-steel surfaced side walls. Never use water with abrasive, acidic or chloride cleaning agents or solvents. Do not use scouring or abrasive sponges. This will cause the stainless-steel surfaces to rust.

The warranty does not cover surface or metal damage caused by incorrect use/cleaning.

Never clean shelves and containers in the dishwasher. The parts may become deformed!

The cleaning water must not run into the opening slots in the front base area

- in the freezer compartment
- onto the controls
- and light.

Proceed as follows:

1. Before cleaning: Switch the appliance off.
2. Pull out the mains plug or switch off the fuse.
3. Take out the frozen food and store in a cool location. Place the ice pack (if enclosed) on the food.
4. Clean the appliance with a soft cloth, lukewarm water and a little pH neutral washing-up liquid. The rinsing water must not run into the light.
5. Wipe the door seal with clear water only and then wipe dry thoroughly.
6. After cleaning reconnect and switch the appliance back on.

7. Put the frozen food back in the freezer compartment.

Cleaning the equipment

All variable parts of the appliance can be taken out for cleaning.

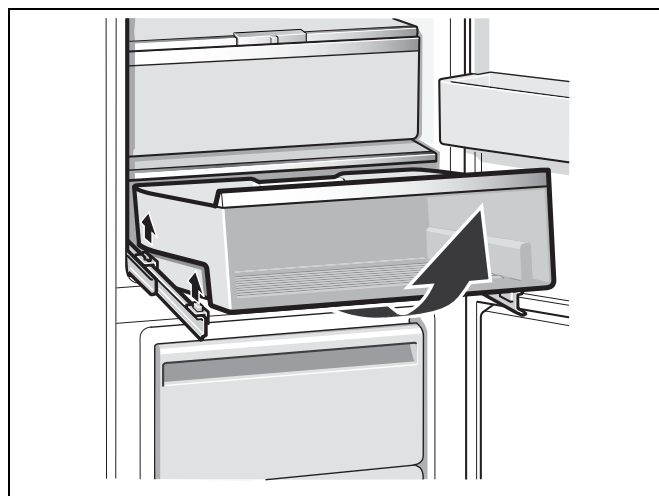
Take out glass shelves

Pull the glass shelves forwards and take out.

Drawers in the refrigerator compartment

Pull out the drawer all the way, lift up and remove.

To insert drawer, place the drawer on the telescopic rails and push into the appliance. Attach the drawer by pressing it down.



Note

Before the vegetable drawer can be taken out, the glass shelf above must be taken out.

Taking out the frozen food container

Pull out the frozen food container all the way, lift at the front and remove.

Light (LED)

Your appliance features a maintenance-free LED light (Class 1M laser lighting, IEC 60825 Standard).

Attention

Do not look directly into the lighting with optical instruments.

Risk of eye injury!

These lights may be repaired by customer service or authorised technicians only.

Tips for saving energy

Install the appliance in a dry, well ventilated room! but not in direct sunlight and not near a heat source (e.g. radiator, cooker, etc.).

If required, use an insulating plate.

Allow warm food and drinks to cool down before placing in the appliance!

When thawing frozen products, place them in the refrigerator. Use the coldness of the frozen food to cool food.

Open the appliance as briefly as possible!

If available: Fit wall spacers to obtain the indicated energy rating of the appliance. A reduced wall gap will not restrict the function of the appliance. The energy rating may then change slightly.

The gap of 75 mm must not be exceeded.

Operating noises

Quite normal noises

Droning

Motors are running (e.g. refrigeration units, fan).

Bubbling, humming or gurgling noises

Refrigerant is flowing through the tubing.

Clicking

Motor, switches or solenoid valves are switching On/Off.

Cracking

Automatic defrosting is running.

Preventing noises

The appliance is not level

Please align the appliance with a spirit level. Use the height-adjustable feet or place packing underneath them.

The appliance is not free-standing

Please move the appliance away from adjacent units or appliances.

Containers or storage areas wobble or stick

Please check the removable parts and re-insert them correctly if required.

Bottles or receptacles are touching each other

Move the bottles or receptacles slightly away from each other.

Eliminating minor faults yourself

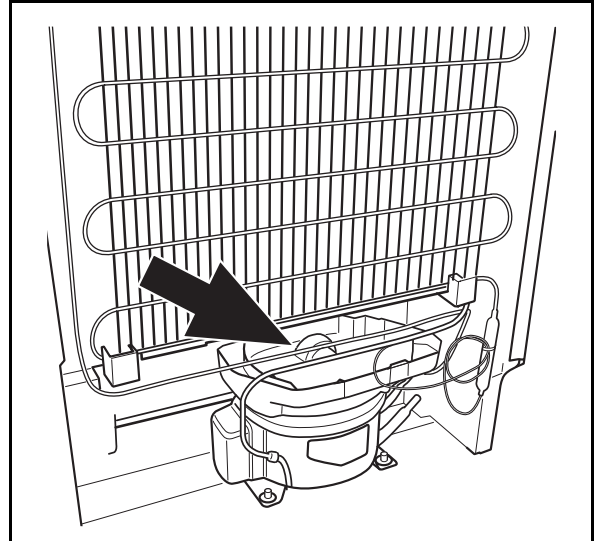
Before you call customer service:

Please check whether you can eliminate the fault yourself based on the following information.

You must pay for customer service advice - even during the warranty period!

Fault	Possible cause	Remedial action
Temperature differs greatly from the set value.		In some cases it is adequate to switch off the appliance for 5 minutes. If the temperature is too high wait a few hours and check whether the temperature has approached the set value. If the temperature is too low check the temperature again the next day.
	The light does not work.	Light switch is jammed. The light is defective.
The temperature in the refrigerator compartment is too cold.	Lower temperatures in the freezer compartment also cause lower temperatures in the refrigerator compartment. This is quite normal.	Set the temperature in the refrigerator compartment slightly warmer. Should this not be enough, e.g. if the room temperature is too low, set the freezer temperature warmer.
Displays do not illuminate.	Power failure; the fuse has been switched off; the mains plug has not been inserted properly.	Connect mains plug. Check whether the power is on, check the fuses.
The temperature in the freezer compartment is too warm.	Appliance opened frequently.	Do not open the appliance unnecessarily.
	Ventilation openings have been covered. Large quantities of fresh food are being frozen.	Remove obstructions and dirt. Do not exceed max. freezing capacity.

Fault	Possible cause	Remedial action
Freezer compartment door was open for a long time; temperature is no longer reached.	The evaporator (refrigeration generator) in the No Frost system is covered in thick ice and can no longer be defrosted fully automatically.	<p>To defrost the evaporator, remove the frozen food with the compartments, insulate well and store in a cool location. Switch off the appliance and move it away from the wall. Leave the appliance door open.</p> <p>After approx. 20 min. the condensation begins to run into the evaporation pan, at the rear of the appliance.</p>



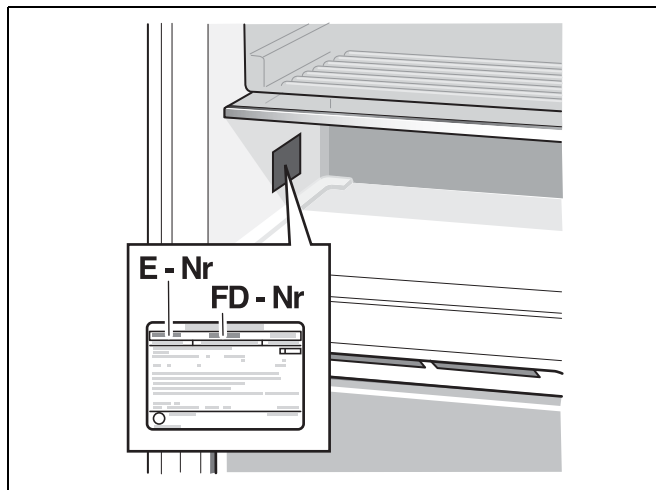
To prevent the evaporation pan from overflowing in this case, mop up the condensation with a sponge.

The evaporator is defrosted when the water stops running into the evaporation pan. Clean the interior. Switch the appliance back on again.

Customer service

Your local customer service can be found in the telephone directory or in the customer-service index. Please provide customer service with the appliance product number (E-Nr.) and production number (FD).

These specifications can be found on the rating plate.



To prevent unnecessary call-outs, please assist customer service by quoting the product and production numbers. This will save you additional costs.

Gaggenau Hausgeräte GmbH
Carl-Wery-Straße 34
D-81739 München
www.gaggenau.com

9000938931 (9310)



GAGGENAU