

Gaggenau

Installation instructions.....2
Notice de montage 12
Instrucciones de instalación.....23

VG 295 CA

Gas cooktop

Table de cuisson gaz

Encimera a gas



IMPORTANT SAFETY INSTRUCTIONS

READ AND SAVE THESE INSTRUCTIONS

⚠ WARNING: If the information in these instructions is not followed exactly, a fire or explosion may result causing property damage, personal injury or death.

- Do not store or use gasoline or other flammable vapors and liquids in the vicinity of this or any other appliance.
- **WHAT TO DO IF YOU SMELL GAS**
 - Do not try to light any appliance.
 - Do not touch any electrical switch.
 - Do not use any phone in your building.
 - Immediately call your gas supplier from a neighbor's phone. Follow the gas supplier's instructions.
 - If you cannot reach your gas supplier, call the fire department.
- Installation and service must be performed by a qualified installer, service agency or the gas supplier.

IMPORTANT SAFETY INSTRUCTIONS

READ AND SAVE THESE INSTRUCTIONS

IMPORTANT: THE APPLIANCE HAS TO BE INSTALLED BY A QUALIFIED INSTALLER.

INSTALLER: LEAVE THESE INSTRUCTIONS WITH THE APPLIANCE AFTER INSTALLATION IS COMPLETE.

IMPORTANT: SAVE FOR THE LOCAL INSPECTOR'S USE.

WARNING

If the information in this manual is not followed exactly, fire or shock may result causing property damage or personal injury.

WARNING

Do not repair, replace or remove any part of the appliance unless specifically recommended in the manuals. Improper installation, service or maintenance can cause injury or property damage. Refer to this manual for guidance. All other servicing should be done by an authorized servicer.

Improper installation can mean to lose the warranty.

Appliance Handling Safety

Hidden surfaces may have sharp edges. Use caution when reaching behind or under appliance.

Safety Codes and Standards

This appliance complies with one or more of the following Standards:

- **UL 858, The Standard for the Safety of Household Electric Ranges**
- **UL 923, The Standard for the Safety of Microwave Cooking Appliances**
- **UL 507, The Standard for the Safety of Electric Fans**
- **ANSI Z21.1, The American National Standard for Household Cooking Gas Appliances**
- **CAN/CSA-C22.2 No. 113-M1984 Fans and Ventilators**
- **CAN/CSA-C22.2 No. 61-M89 Household Cooking Ranges**

It is the responsibility of the owner and the installer to determine if additional requirements and/or standards apply to specific installations.

Installation must conform with local codes or, in the absence of local codes, with the National Fuel Gas Code, ANSI Z223.1.

The appliance must be electrically grounded in accordance with local codes or, in the absence of local codes, with the National Electrical Code ANSI/ NFPA 70, latest edition. (In Canada, installation must be in accordance with the CAN 1-B149.1 and .2 Installation Codes for Gas Burning Appliances and/ or local codes.)



IMPORTANT SAFETY INSTRUCTIONS

READ AND SAVE THESE INSTRUCTIONS

Electric Safety

WARNING

Before you plug in an electrical cord or turn on power supply, make sure all controls are in the OFF position.

For appliances equipped with a cord and plug, do not cut or remove the ground prong. It must be plugged into a matching grounding type receptacle to avoid electrical shock. If there is any doubt as to whether the wall receptacle is properly grounded, the customer should have it checked by a qualified electrician.

If required by the National Electrical Code (or Canadian Electrical Code), this appliance must be installed on a separate branch circuit.

The circuit breaker should have a contact separation of at least 3 mm on all poles.

Be sure your appliance is properly installed and grounded by a qualified technician. Installation, electrical connections and grounding must comply with all applicable codes.

Before installing, turn power OFF at the service panel. Lock service panel to prevent power from being turned ON accidentally.

Installer – show the owner the location of the circuit breaker or fuse. Mark it for easy reference.

Gas Safety

Install a gas shutoff valve near the appliance. It must be easily accessible in an emergency.

Leak testing must be conducted by the installer according to the instructions in this manual.

The appliance and its individual shutoff valve must be disconnected from the gas supply piping system during any pressure testing at pressures in excess of ½ psi (3.5 kPa).

The appliance must be isolated from the gas supply piping system by closing its individual manual shutoff valve during any pressure testing of the gas supply piping system at test pressures equal to or less than ½ psi (3.5 kPa).

The minimum supply pressure must be 1" water column above the manifold pressure printed on the data plate. The maximum supply pressure must not exceed 14.0 inches water column (34.9 Millibars).

IMPORTANT SAFETY NOTICE: Burning gas cooking fuel generates some by-products which are on the list of substances which are known by the State of California to cause cancer or reproductive harm. To minimize exposure to these substances, always operate this unit according to the instructions contained in this booklet and provide good ventilation.

IMPORTANT SAFETY INSTRUCTIONS

READ AND SAVE THESE INSTRUCTIONS

Propane Gas Installation

The propane gas tank must be equipped with its own high pressure regulator. In addition, the regulator supplied with this unit must also be used.

The appliance is shipped from the factory for use with natural gas. It must be converted for use with propane. A qualified technician or installer must do the conversion.

This appliance has been certified for safe operation up to a height of 10,000 ft without any modifications. Exception: For use with propane the appliance must be converted per the LP conversion instructions.

For Massachusetts installations:

- Installation must be performed by a qualified or licensed contractor, plumber or gas fitter qualified or licensed by the state, province or region where this appliance is being installed.
- Shut-off valve must be a "T" handle gas cock.
- Flexible gas connector must not be longer than 36 inches.

Installer - show the owner where the gas shut-off valve is located.

Related Equipment Safety

The appliance is only guaranteed safe to use if installed by a specialist in accordance with these installation instructions. The installer is liable for any damage resulting from incorrect installation.

Remove all tape and packaging before using the appliance. Destroy the packaging after unpacking the appliance. Never allow children to play with packaging material.

Never modify or alter the construction of the appliance. For example, do not remove leveling legs, panels, wire covers or anti-tip brackets/screws.

To eliminate the risk of burns or fire by reaching over heated surface units, cabinet storage space located above the surface units should be avoided. If cabinet storage is to be provided, the risk can be reduced by installing a hood that projects horizontally a minimum of 5 inches (127 mm) beyond the bottom of the cabinet.

Verify that cabinets above the cooktop are a maximum of 13" (330 mm) deep.

When installing a cooktop over a single oven, be sure to follow both the oven's and cooktop's installation manuals.

Ventilation Recommendations

We strongly recommend the installation of a ventilation hood above this appliance. The hood must be installed according to instructions furnished with the hood.

CAUTION

The appliance should not be installed with a ventilation system that blows air downward toward the burners. This type of ventilation system may cause ignition and combustion problems with the gas cooking appliance resulting in personal injury or unintended operation.

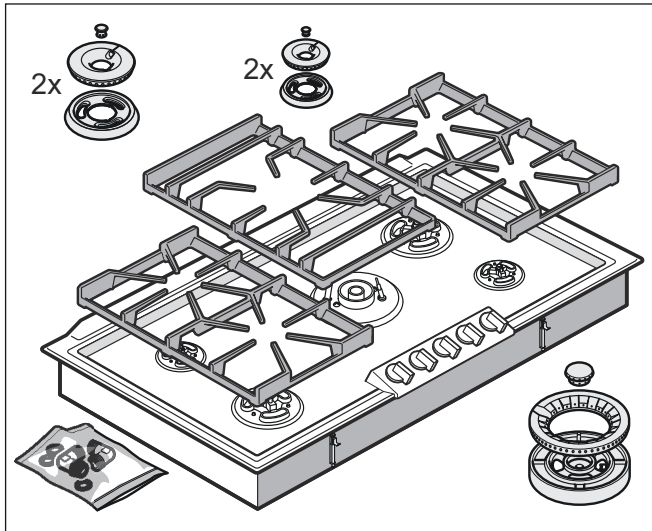
Before you begin

Tools and parts needed

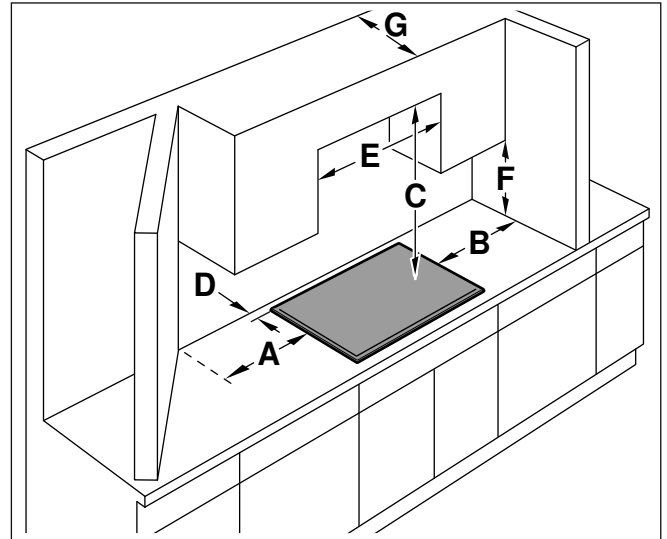
- Phillips Head Screwdriver
- Pencil
- Drill with 1/4" (6 mm) bit
- Jigsaw
- Tape Measure

Note: Additional materials may be necessary for installation in solid surface countertops. Contact the countertop manufacturer.

Parts included



Cabinet Requirements



The minimum spaces that must be maintained when installing the gas cooktop shall be:

- A** minimum 12" (300 mm)
- B** minimum 12" (300 mm)
- C** minimum 30" (762 mm) clearance between the top of the cooking surface and the bottom of the ventilation hood
- D** minimum 1⁹/₁₆" (40 mm)
- E** minimum 24" (600 mm)
- F** minimum 18" (460 mm)

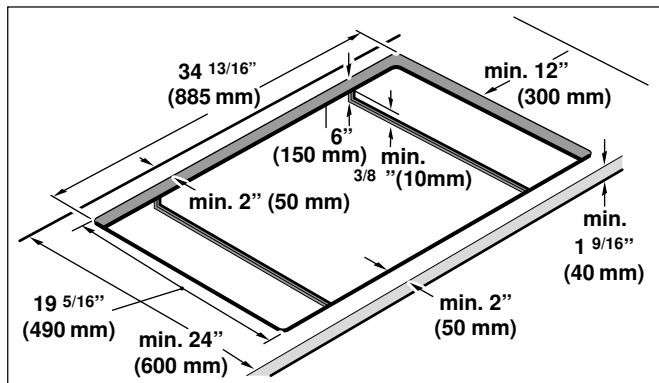
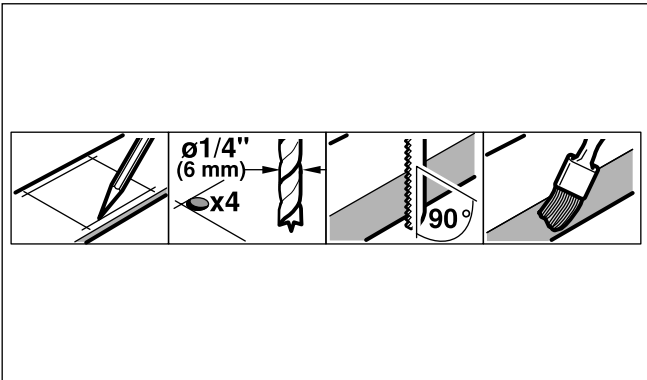
The distance from the top of the cooktop to the bottom of cabinets above can be reduced to 24" when the bottom of the wood or metal cabinet is protected by not less than 1/4" (6.35 mm)-thick flame-retardant millboard covered with not less than No. 28 MSG sheet metal, 0.015 inch (0.4 mm) stainless steel, 0.024 inch (0.6 mm) aluminium or copper.

Countertop Requirements

⚠ WARNING

To reduce the risk of ignition of surrounding combustible materials, install at least 12" (300 mm) from both sidewalls and at least 2" (50 mm) from the rear wall.

The countertop must be level and horizontal. The stability of the countertop must be maintained after the cut-out has been made.



Technical Data

Total connected load electric: 25 VA

Nozzle Table Wok Burner

Gas	Natural Gas Type N	LPG (Propane) Type X
Pressure	6" water column (1.5 kPa)	10" water column (2.5 kPa)
Nozzle, full burn, outer	173	110 A
Nozzle, low burn, outer	75	56
Nozzle, full burn, inner	60	42
Nozzle, low burn, inner	48	34
Air gap adjustment, outer	0 mm	2 mm
Total connected load	59 700 BTU (17.5 kW)	58 000 BTU (17 kW)
Total consumption	1.67 m ³ /h	1160 g/h

Nozzle Table Large Burner

Gas	Natural Gas Type N	LPG (Propane) Type X
Pressure	6" water column (1.5 kPa)	10" water column (2.5 kPa)
Nozzle, full burn, outer	150	105
Nozzle, low burn, outer	65	45
Nozzle, full burn, inner	40	29
Nozzle, low burn, inner	42	28
Air gap adjustment, outer L1	0 mm	2 mm
Air gap adjustment, inner L2	4 mm	open
Total connected load	59 700 BTU (17.5 kW)	58 000 BTU (17 kW)
Total consumption	1.67 m ³ /h	1160 g/h

Nozzle Table Small Burner

Gas	Natural Gas Type N	LPG (Propane) Type X
Pressure	6" water column (1.5 kPa)	10" water column (2.5 kPa)
Nozzle, full burn, outer	97	68
Nozzle, low burn, outer	48	34
Nozzle, full burn, inner	40	29
Nozzle, low burn, inner	42	28
Air gap adjustment, outer L1	0 mm	6 mm
Air gap adjustment, inner L2	4 mm	open
Total connected load	59 700 BTU (17.5 kW)	58 000 BTU (17 kW)
Total consumption	1.67 m ³ /h	1160 g/h

Installation Procedure

Prepare Installation Space

Create the cut-out in the countertop for one or several Vario appliances according to the installation diagram. The angle of the cut surface to the countertop must be 90°.

After creating cut-out, remove shavings. Seal cut surfaces in a heat-resistant manner.

Some solid surface countertops require special installations. For example, heat reflective tape and rounded corners may be necessary. Contact the countertop manufacturer for instructions specific to your countertop.

Observe minimum distance between appliance underside and furniture parts of $\frac{3}{8}$ " (10 mm).

When installing multiple Vario appliances: Take into account space requirement for VV 200 connection strip between the appliances. Appliances can also be installed in individual cut-outs, bearing in mind a minimum distance between the appliances of $1\frac{9}{16}$ " (40 mm).

Install Appliance

WARNING

Before you plug in an electrical cord or turn on power supply, make sure all controls are in the OFF position.

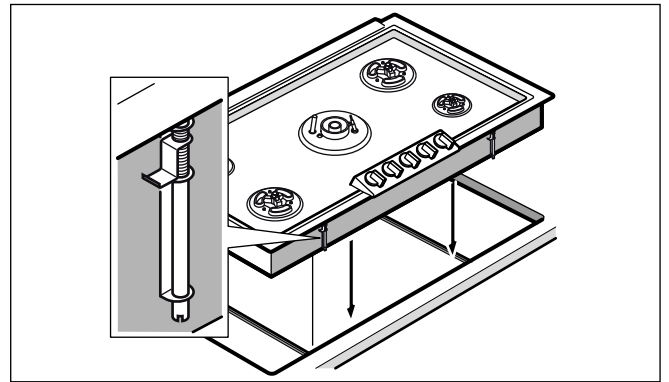
Air intake from above. No intermediate shelf required.

A minimum clearance between the individual niche of at least 2" (50 mm) is recommended when VG 295 is fitted onto other appliances in the Vario cooktops 200 series.

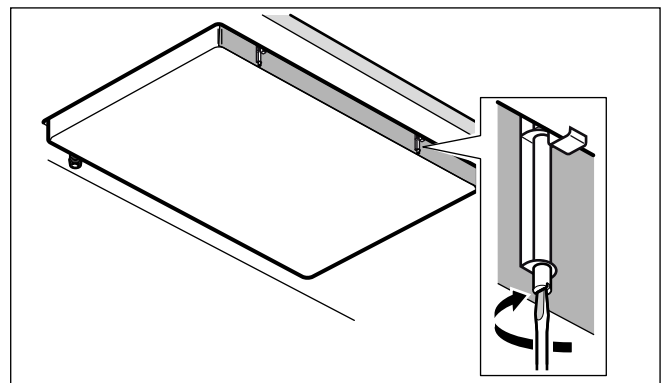
Stovetop clamping range: $1\frac{3}{16}$ " - 2" (30 - 50 mm).

- 1 Cut out an opening in the countertop according to the installation drawing. Check the minimum clearance from the rear wall and the sides of kitchen units. Seal the edges of the cut-out.

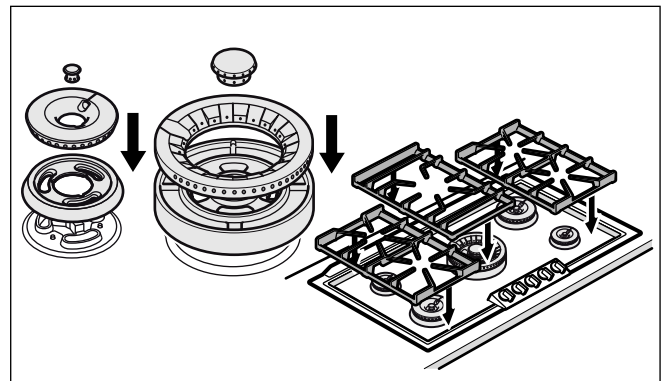
- 2 Turn the clamp fasteners to the side. Place the gas hotplate into the cut-out and align it evenly.



- 3 Tighten all clamp fasteners evenly. Check that the whole frame lies evenly flat on the countertop.



- 4 Fit the burner rings, burner lids and pan supports.



- 5 Connect the appliance to the gas and electricity supply. The appliance is not operable without power supply.
- 6 Test the appliance for correct functioning. There might be an air pocket in the gas supply line if the appliance turns off and the indicator lights flash. Turn all control knobs to 0 and ignite the burner again.

Note: Fasten the hotplate in the work surface with all of the clamp fasteners provided. This is the only way to ensure correct installation.

Connect Gas Supply

The appliance is shipped from the factory for use with natural gas. It must be converted for use with propane. A qualified technician or installer must do the conversion.

Before connecting the appliance, please check whether the local connection conditions such as gas type and gas pressure match the appliance settings.

Make sure the gas supply is turned off at the manual shut-off valve before connecting the appliance.

The gas connection must be in a location that permits access to the manual shut-off valve and which, if applicable, is visible after opening the door of the cabinet.

SERVICER INFO ONLY

Connect the gas supply using the ½" U.S.A. elbow and the fiber gasket supplied with the unit. The shorter, nontapered thread fits into the threaded nut on the hob. The longer, tapered U.S.A. thread is for the incoming gas supply. Vent the gas line, check for leaks. The gas pressure regulator is supplied with the unit and comes set for natural gas. To convert regulator to LP (propane) gas:

Make-Essex Model SX 229 NA-602 ½ PSIG

- 1 Remove the aluminum cap from the top of the regulator.
- 2 Turn the cap over. It will have LP 10 stamped inside.
- 3 Replace the cap on the regulator.

Make-Maxitrol Model RV 47 CL ½ PSIG

- 1 Remove the aluminum cap from the top of the regulator.
- 2 Remove the yellow plastic shaft from the cap by pushing it sideways until it pops out of the groove in the cap.
- 3 Turn the shaft over and push back into the cutout in the cap.
- 4 Replace the cap on the regulator.

Connect Electrical Supply

Before connecting supply cord to wall receptacle, make certain that gas shutoff valve and all burner controls are in OFF position.

Electrical connection (AC 110-127 V) is established by means of a connecting cord with a grounding contact plug connected to a grounded socket, which must also be accessible after installation of the gas cooktop.

Burner Cap Placement

The burner parts must be properly placed for the cooktop to function properly. If the burner parts are not properly placed, one or more of the following problems may occur:

- Burner flames are too high.
- Flames shoot out of burners.
- Burners do not ignite.
- Burner flames light unevenly.
- Burner emits gas odor.

Placing Burner Parts

After electrical connection is complete, assemble the burner parts correctly and evenly. When assembling the burner parts, make sure that the burner head is placed on the base in such a way that the heat sensor is positioned in the opening on the burner head. The catching pin on the burner ring must fit in the corresponding groove on the burner head

Checking Burner Cap Placement

Check to make sure that there is no gap between the burner parts. You may gently try to move the burner parts from side to side to check if they are properly placed.

Check the Installation

Check operation of electric igniters. Check flame characteristics. Flame should be blue with no yellow tip.

Yellow Flames:

Further adjustment is required.

Yellow Tips on Outer Cones:

Normal for LPG Gas.

Soft Blue Flames:

Normal for Natural Gas.

If the flame is completely or mostly yellow, verify that the regulator is set for the correct fuel. After adjustment, retest.

Some yellow streaking is normal during the initial start-up. Allow unit to operate 4-5 minutes and re-evaluate before making adjustments.

Conversion to another type of gas

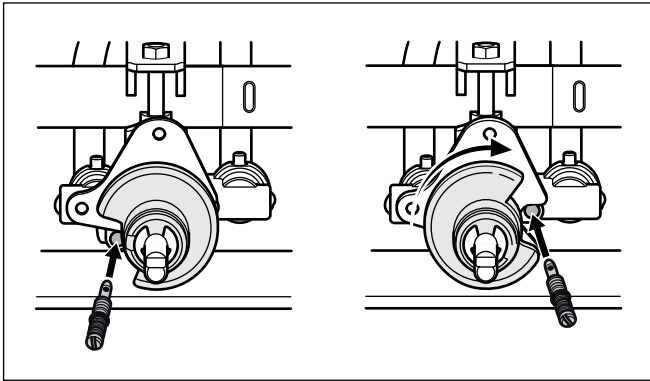
This gas stovetop corresponds to the categories specified on the rating plate. By changing nozzles, it is possible to convert the appliance to any of the gases listed on the plate. The conversion kit can be obtained from our customer service. With some models, the conversion kit is included in the scope of delivery.

Only a licensed specialist is authorized to switch the appliance to another gas type.

Before carrying out the conversion, turn off the electricity and gas supply.

Changing the low burn nozzle

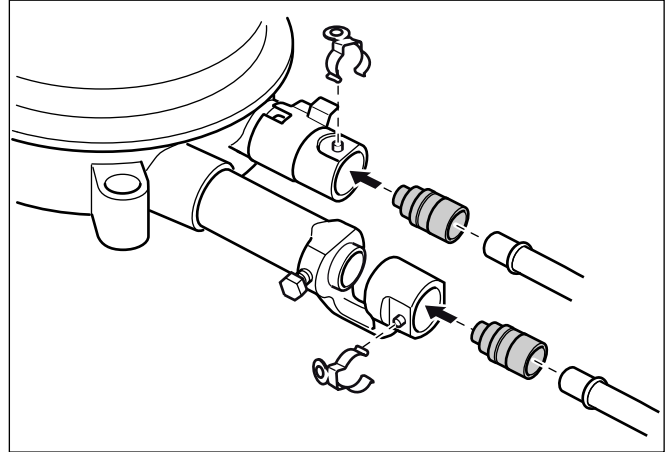
- 1 Remove pan supports and all burner parts.
- 2 Remove control knobs. Unscrew fastening screws (three 7 mm nuts on each burner and two Torx T20 on the wok burner) and carefully detach stovetop.
- 3 The low burn nozzles are located in the gas valve and are screwed in from above. Turn the black plastic part so that the recess is above the nozzle. Screw out nozzle and take nozzle out with small pliers.
- 4 Insert the new nozzles as specified in the nozzle table. The nozzles must be screwed in fully.



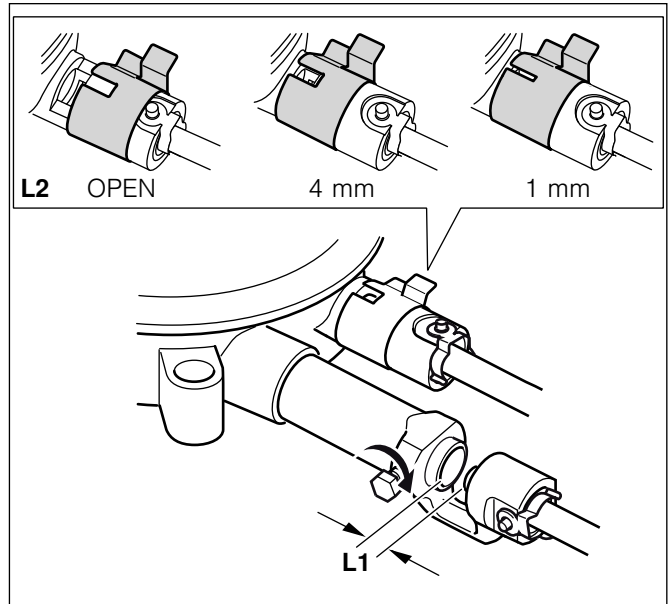
Changing the full burn nozzle: normal and large burner

- 1 Detach the securing clips from the burner pipes. Unscrew the burners and extract the burner pipes. The electrode can be left connected. Extract the burners from the burner pipes.
- 2 Extract the nozzles from the burner pipes by hand and extract the O-ring.

- 3 Check correct fitting of the O-ring in the new main nozzles. Slide the nozzles onto the burner pipes. Do not bend the burner pipes!



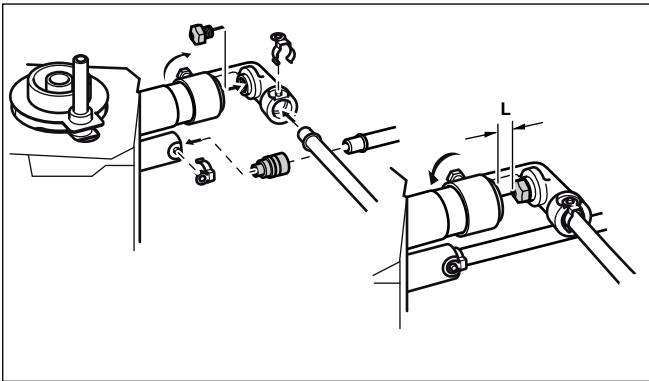
- 4 Fit the burners onto the burner pipes. Fit the burners. Screw down the burners.
- 5 After loosening the screw, adjust the outer burner's air regulation sleeve to the correct dimensions (see nozzle table - L1). Tighten the screw again.
- 6 By turning or moving it, adjust the inner burner's air regulation sleeve to the correct dimension (see nozzle table - L2).



- 7 Fit the cooktop and screw it down evenly. Fit burner parts and pot supports, paying attention to correct positioning.
- 8 Set the pressure regulator to the correct pressure (see "Connect gas supply").

Changing the full burn nozzle: wok burner

- 1 Remove securing clips on the burner pipes. Remove burner pipes. Loosen screw on air-regulating tube. Remove nozzle fitting.
- 2 Remove nozzle and O-ring for inner circular burner by hand. Unscrew nozzle for outer circular burner (SW10).
- 3 Check that O-ring is correctly positioned in new full-burn nozzle for inner circular burner. Push nozzle onto burner pipe. Screw new main nozzle for outer circular burner all the way into nozzle fitting.
- 4 Put on nozzle fitting and burner pipes. Put on securing clips.
- 5 Set air-regulating tube to correct dimension after loosening the screw (see nozzle table). Tighten screw again.
- 6 Put stovetop in place and screw it tight. Put on control knobs. Put burner parts and pan supports in place, positioning them correctly.



If it should be necessary to correct the low-setting nozzle as the result of deviating gas types and pressure, the flow rate can be increased by turning to the left.

These burners do not require the primary air to be adjusted.

Checking functions after the conversion:

The flames are adjusted correctly if no yellow tips are visible. They must not go out when switching over swiftly from the high to the low setting.

Note: Stick the adhesive label included with the nozzle set over the rating plate of the appliance to document the changeover to a different gas type.

Customer service

If your appliance needs repairs, our customer service is there for you. We work hard to help solve problems quickly and without unnecessary service calls, getting your appliance back up and running correctly in the least amount of time possible.

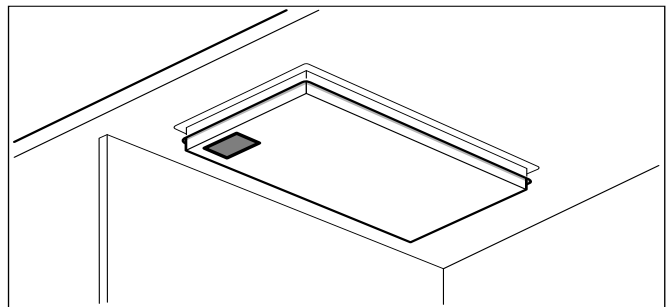
When you call, please indicate the product number (E-Nr.) and serial number (FD-Nr.) so that we can support you in a qualified manner. You will find the type plate with these numbers on the bottom of the appliance. To avoid having to search for a long time when you need it, you can enter your appliance data and the customer support telephone number here.

E-Nr.

FD-Nr.

Customer Service ☎

Please read the installation instructions and use and care instructions provided with your appliance. Failure to do so may result in an error in using the appliance. This could result in a service call that instead of fixing a mechanical issue is only needed for customer education. Such calls are not covered by the appliance warranty.



Please find the contact data of all countries in the enclosed customer service list.

To book an engineer visit and product advice

USA 877 442 4436
toll-free

CANADA 877 442 4436
toll-free

You can rely on the manufacturer's expertise. Rest assured that the repair will be handled by trained service technicians who have the original replacement parts for your appliance.



CONSIGNES DE SÉCURITÉ IMPORTANTES

LIRE ET CONSERVER CES INSTRUCTIONS

⚠ AVERTISSEMENT : Si les directives ne sont pas suivies à la lettre, il y a un risque d'incendie ou d'explosion pouvant entraîner des dommages matériels, des blessures ou un décès.

- Ne pas conserver ou utiliser de l'essence ou d'autres liquides ou vapeurs inflammables à proximité de cet appareil ou de tout autre appareil.
- **QUE FAIRE SI VOUS PERCEVEZ UNE ODEUR DE GAZ**
 - Ne pas essayer de mettre un appareil sous tension.
 - Ne pas toucher d'interrupteur de courant électrique.
 - Ne pas utiliser de téléphones dans l'édifice.
 - Communiquer immédiatement avec le fournisseur de gaz depuis l'appareil téléphonique d'un voisin. Respecter les directives du fournisseur de gaz.
 - S'il s'avère impossible de joindre le fournisseur de gaz, communiquer avec les pompiers.
- Utiliser les services d'un installateur ou d'une agence de services qualifiés ou le fournisseur de gaz pour procéder à l'installation et aux réparations.

CONSIGNES DE SÉCURITÉ IMPORTANTES

LIRE ET CONSERVER CES INSTRUCTIONS

IMPORTANT : IL FAUT FAIRE POSER L'APPAREIL PAR UN INSTALLATEUR QUALIFIÉ.

INSTALLATEUR : LAISSEZ CES INSTRUCTIONS AVEC L'APPAREIL APRÈS UNE FOIS L'INSTALLATION TERMINÉE. IMPORTANT : À CONSERVER POUR L'USAGE DE L'INSPECTEUR LOCAL.

AVERTISSEMENT

Si l'information de ce guide n'est pas suivie exactement, il peut en résulter un incendie ou un choc électrique causant des dommages à la propriété, des blessures ou la mort.

AVERTISSEMENT

Ne réparez, remplacez, ni ne retirez aucune partie de l'appareil, excepté si les manuels recommandent de le faire. Une installation, un entretien ou une inspection incorrects peuvent occasionner des blessures ou des dommages matériels. Reportez-vous au présent manuel pour obtenir des indications. Toute autre intervention doit être effectuée par un technicien agréé.

Une installation non conforme peut entraîner la perte de la garantie.

Sécurité de manutention des appareils

Certaines surfaces peuvent avoir des bords tranchants. Faire attention en étendant le bras derrière l'appareil ou en dessous.

Codes et normes de sécurité

Cet appareil est conforme à une ou plusieurs des normes suivantes :

- **UL 858, norme pour la sécurité des cuisinières électriques domestiques**
- **UL 923, norme pour la sécurité des appareils de cuisson à micro-ondes**
- **UL 507, norme pour la sécurité des ventilateurs électriques**
- **ANSI Z21.1, norme nationale américaine pour les appareils de cuisson à gaz domestiques**
- **CAN/CSA-C22.2 No. 113-M1984, Ventilateurs et soufflantes**
- **CAN/CSA-C22.2 No. 61-M89, Cuisinières pour usage ménager**

Il incombe au propriétaire et à l'installateur de déterminer si des exigences additionnelles et/ou normes s'appliquent pour des installations spécifiques.

L'installation doit être réalisée conformément aux codes locaux ou, en l'absence de code local, au Code national du gaz combustible, ANSI Z223.1.

L'appareil doit être électriquement mis à la terre conformément aux codes locaux ou, en l'absence de code local, conformément au Code national de l'électricité ANSI/NFPA 70, dernière édition. (Au Canada, l'installation doit être réalisée conformément aux Codes d'installation CAN 1-B149.1 et .2 pour les appareils à gaz et/ou aux codes locaux.)



CONSIGNES DE SÉCURITÉ IMPORTANTES

LIRE ET CONSERVER CES INSTRUCTIONS

Sécurité électrique

AVERTISSEMENT

Avant tout raccordement de cordon électrique ou toute mise sous tension, assurez-vous que toutes les commandes sont en position OFF (d'arrêt).

Pour les appareils dotés d'un cordon et d'une fiche, ne pas couper ou enlever la broche de mise à la terre. Le cordon doit être branché dans une prise de courant adaptée de type mise à la terre pour éviter tout risque d'électrocution. S'il y a un doute en ce qui concerne la mise à la terre de la prise murale, le client devra s'adresser à un électricien qualifié.

S'il y a lieu, conformément au Code national de l'électricité (ou au Code canadien de l'électricité), cet appareil doit être installé sur un circuit de dérivation séparé.

Le disjoncteur doit avoir une séparation de contact de 3 mm. minimum pour tous les pôles.

S'assurer que l'appareil est installé et mis à la terre par un technicien qualifié. L'installation, les connexions électriques et la mise à la terre doivent être conformes à tous les codes applicables.

Avant l'installation, mettre l'appareil hors service au panneau de service. Verrouiller le panneau d'entrée d'électricité pour éviter que le courant ne soit accidentellement rétabli.

Installateur – Indiquer au propriétaire l'emplacement du disjoncteur ou du fusible. Identifier sa position pour pouvoir le retrouver facilement.

Sécurité en matière de gaz

Installer un robinet d'arrêt de gaz à proximité de l'appareil. Celui-ci doit être facilement accessible en cas d'urgence.

Les essais d'étanchéité doivent être effectués par l'installateur conformément aux instructions du présent manuel.

L'appareil et le robinet individuel de fermeture à commande manuelle dont il est muni doivent être déconnectés du système de canalisations de gaz lors de tout contrôle de pression où la pression d'essai est supérieure à ½ psi (3,5 kPa).

L'appareil doit être isolé du système de canalisations de gaz en fermant le robinet individuel de fermeture à commande manuelle dont il est muni pendant tout contrôle de pression du système de canalisations de gaz à des pressions d'essai inférieures ou égales à ½ psi (3,5 kPa).

La pression minimale d'alimentation doit être de 1 po CE au-dessus de la pression du distributeur, tel qu'indiqué sur la plaque signalétique.

La pression maximale d'alimentation ne pas dépasser 14 po CE (34,9 millibars).

AVIS DE SÉCURITÉ IMPORTANT : l'incinération de combustible gazeux de cuisson peut générer des sous-produits qui figurent sur la liste des substances reconnues par l'État de Californie comme étant cancérigènes ou nuisibles à la reproduction. Pour minimiser l'exposition à ces substances, toujours faire fonctionner cet appareil conformément aux instructions contenues dans cette brochure et assurer une bonne ventilation.

CONSIGNES DE SÉCURITÉ IMPORTANTES

LIRE ET CONSERVER CES INSTRUCTIONS

Installation au gaz propane

La bouteille de gaz propane doit comporter son propre régulateur haute pression. De plus, le régulateur fourni avec cet appareil doit également être utilisé.

L'appareil est expédié depuis l'usine pour être utilisé avec du gaz naturel. S'il doit être utilisé avec du gaz propane, il doit être converti. Un technicien ou installateur qualifié devra se charger de la conversion.

Cet appareil a été certifié comme étant conçu pour un fonctionnement sûr à une altitude de 10 000 pieds, sans aucune modification. Exception : si l'appareil doit être utilisé avec du gaz propane, il doit être converti conformément aux instructions pour la conversion au gaz propane.

Pour les installations dans l'État du Massachusetts

- L'installation doivent être effectuée par un entrepreneur qualifié ou titulaire d'une licence, un plombier ou un monteur d'installation au gaz qualifié ou titulaire d'une licence octroyée par l'État, la province ou la région où cet appareil est installé.
- Le robinet d'arrêt doit être un robinet de gaz muni d'une poignée en « T ».
- La longueur du raccord flexible de gaz ne doit pas dépasser 36 pouces.

Installateur - montrez au propriétaire où se trouve le robinet d'arrêt de gaz.

Équipement de sécurité

L'utilisation sécuritaire n'est garantie que si l'installation de la table de cuisson se fait par un spécialiste conformément à ces instructions. L'installateur est responsable de tout dommage résultant d'une installation incorrecte.

Enlever le ruban adhésif et l'emballage avant d'utiliser l'appareil. Détruire l'emballage après avoir déballé l'appareil. Ne jamais laisser les enfants jouer avec les matériaux de conditionnement.

Ne jamais modifier ni altérer la configuration de l'appareil. Par exemple, ne pas retirer les pieds de nivellement, les panneaux, les couvercles de câblage ou les fixations/vis antibasculement.

Pour éliminer le risque de brûlures ou d'incendie lorsque l'on allonge le bras au-dessus des éléments de surface chauds, éviter d'installer des placards au-dessus des éléments de surface. Si l'installation de placards est prévue, le risque peut être réduit en installant une hotte aspirante qui dépasse horizontalement d'au moins 5 po (127 mm) la base du placard.

Vérifiez que la profondeur des armoires situées au-dessus de la table de cuisson ne dépasse pas 13 po (330 mm).

Lors de l'installation de la table de cuisson sur un four simple, prendre bien soin de suivre les instructions des manuels d'installation du four et de la table de cuisson.

Recommandations sur la ventilation

Il est vivement recommandé d'installer une hotte aspirante au-dessus de cet appareil. La hotte aspirante doit être installée conformément aux instructions qui l'accompagnent.

ATTENTION

L'appareil ne devrait pas être installé avec un système de ventilation qui souffle l'air vers les brûleurs. Ce type de système de ventilation peut causer des problèmes d'allumage et de combustion avec l'appareil de cuisson au gaz et pourrait provoquer des blessures ou nuire au fonctionnement normal.

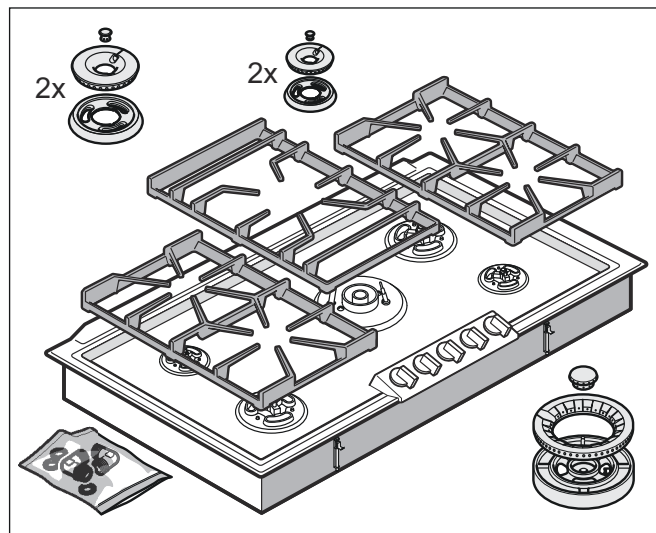
Avant de commencer

Outils et pièces nécessaires

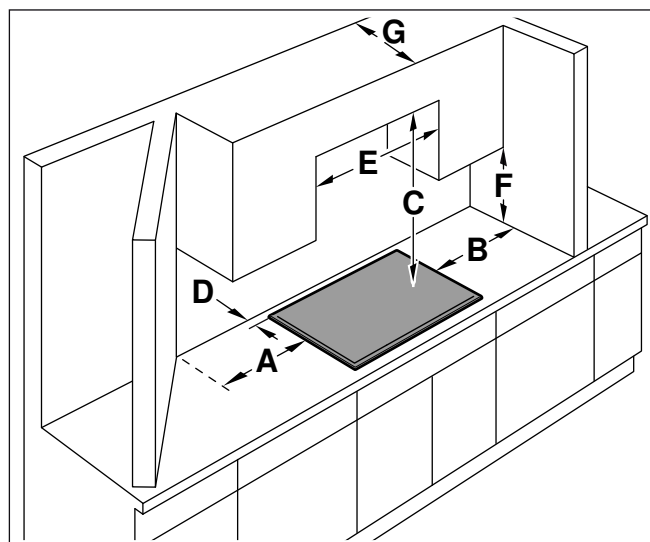
- Tournevis à lame Philips
- Crayon
- Perceuse avec mèche 1/4" po (6 mm)
- Scie sauteuse
- Ruban à mesurer

Remarque : Des matériaux supplémentaires peuvent être nécessaires pour installer les plans de travail à surface solide. Contacter le fabricant du plan de travail.

Pièces comprises



Exigences pour les placards



Lors de l'installation de la table de cuisson à gaz, il faut respecter les distances minimales suivantes :

- A** minimum 12" (300 mm)
- B** minimum 12" (300 mm)
- C** minimum 30" (762 mm) d'espace entre le dessus de la surface de cuisson et le bas de la hotte aspirante
- D** minimum 1⁹/₁₆" (40 mm)
- E** minimum 24" (600 mm)
- F** minimum 18" (460 mm)

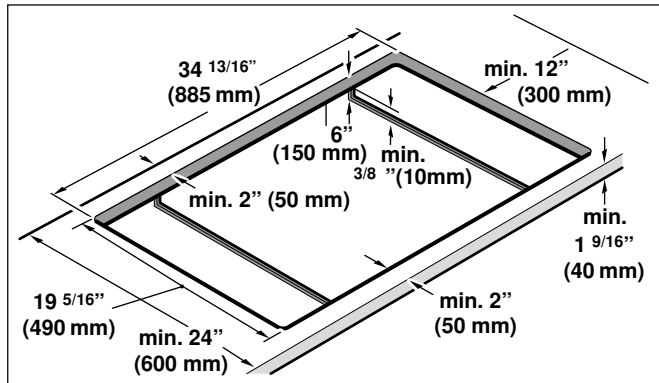
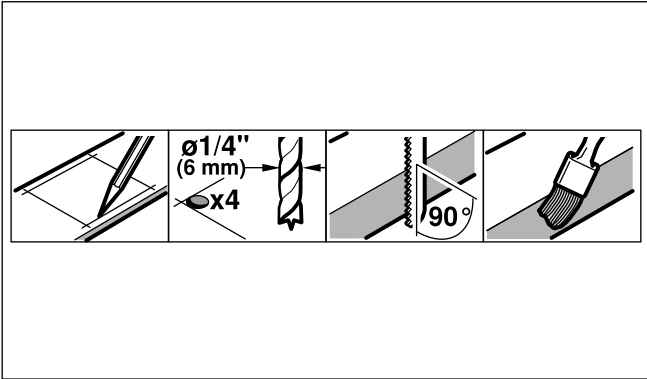
Le dégagement du haut de la table de cuisson au bas des armoires situées au-dessus peut être réduit à 24 po si les armoires en bois ou en métal sont protégées par une planche ignifuge d'une épaisseur d'au moins 1/4 po (6,35 mm) couvert par pas moins d'une tôle d'acier MSG n° 28, d'acier inoxydable de 0,015 po (0,4 mm) d'épaisseur, d'aluminium ou de cuivre de 0,024 po (0,6 mm) d'épaisseur.

Exigences pour le plan de travail

⚠ AVERTISSEMENT

Pour réduire le risque d'inflammation des matériaux combustibles adjacents, l'installation doit laisser un dégagement d'au moins 12 po (300 mm) entre la table de cuisson et les murs latéraux et d'au moins 2 po (50 mm) entre la table de cuisson et le mur arrière.

Le plan de travail doit être de niveau et horizontal. Le plan de travail doit rester stable après la découpe.



Caractéristiques techniques

Puissance électrique raccordée totale : 25 VA

Tableau des injecteurs du brûleur de wok

Gaz	Gaz naturel type N	GPL (propane) type X
Pression	Colonne d'eau de 6" (1,5 kPa)	Colonne d'eau de 10" (2,5 kPa)
Injecteur, plein feu, extérieur	173	110 A
Injecteur, feu doux, extérieur	75	56
Injecteur, plein feu, intérieur	60	42
Injecteur, feu doux, intérieur	48	34
Réglage de l'entrée d'air, extérieur	0 mm	2 mm
Puissance totale raccordée	59 700 BTU (17,5 kW)	58 000 BTU (17 kW)
Consommation totale	1,67 m ³ /h	1160 g/h

Tableau des injecteurs du grand brûleur

Gaz	Gaz naturel type N	GPL (propane) type X
Pression	Colonne d'eau de 6" (1,5 kPa)	Colonne d'eau de 10" (2,5 kPa)
Injecteur, plein feu, extérieur	150	105
Injecteur, feu doux, extérieur	65	45
Injecteur, plein feu, intérieur	40	29
Injecteur, feu doux, intérieur	42	28
Réglage de l'entrée d'air, extérieur L1	0 mm	2 mm
Réglage de l'entrée d'air, intérieur L2	4 mm	ouverte
Puissance totale raccordée	59 700 BTU (17,5 kW)	58 000 BTU (17 kW)
Consommation totale	1,67 m ³ /h	1160 g/h

Tableau des injecteurs du petit brûleur

Gaz	Gaz naturel type N	GPL (propane) type X
Pression	Colonne d'eau de 6" (1,5 kPa)	Colonne d'eau de 10" (2,5 kPa)
Injecteur, plein feu, extérieur	97	68
Injecteur, feu doux, extérieur	48	34
Injecteur, plein feu, intérieur	40	29
Injecteur, feu doux, intérieur	42	28
Réglage de l'entrée d'air, extérieur L1	0 mm	6 mm
Réglage de l'entrée d'air, intérieur L2	4 mm	ouverte
Puissance totale raccordée	59 700 BTU (17,5 kW)	58 000 BTU (17 kW)
Consommation totale	1,67 m ³ /h	1160 g/h

Procédure d'installation

Préparation des meubles

Réaliser la découpe pour ou plusieurs appareils Vario dans le plan de travail, selon le schéma de pose. L'angle du chant de coupe doit être de 90° par rapport au plan de travail.

Après les opérations de découpe, éliminer les copeaux. Sceller les chants de coupe avec un produit assurant leur résistance à la chaleur.

Certains plans de travail à haute résistance requièrent des aménagements spéciaux. Par exemple, une bande thermoréfléchissante et des coins arrondis peuvent être nécessaires. Contacter le fabricant du plan de travail pour obtenir des précisions.

Respecter entre le dessous de l'appareil et les meubles voisins une distance minimale de $\frac{3}{8}$ " (10 mm).

Si plusieurs appareils Vario sont posés ensemble : tenir compte de la place nécessaire pour la baguette de jonction VV 200 entre les appareils. Les appareils peuvent également être installés dans des découpes séparées, en respectant une distance minimale de $1\frac{9}{16}$ " (40 mm).

Pose de l'appareil

AVERTISSEMENT

Avant tout raccordement de cordon électrique ou toute mise sous tension, assurez-vous que toutes les commandes sont en position OFF (d'arrêt).

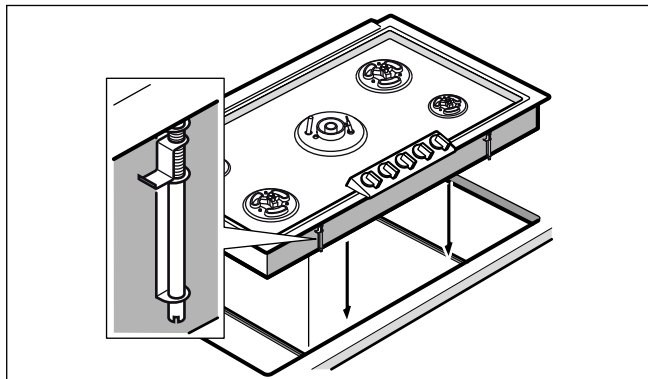
L'aspiration d'air s'effectue par le haut. Aucun fond intermédiaire n'est nécessaire.

Si l'appareil est posé à côté d'autres appareils de la série Vario 200, une distance minimale de 50 mm entre les découpes est recommandée.

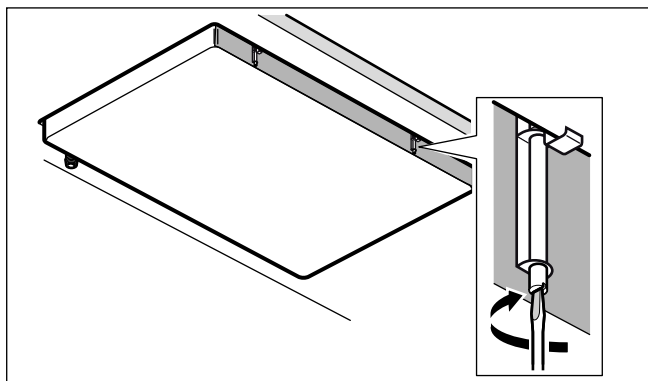
Plage de serrage des tendeurs : 30 à 50 mm.

1 Réaliser la découpe dans le plan de travail conformément au schéma de pose. Respecter les distances minimales par rapport à la cloison arrière et aux meubles latéraux. Sceller les chants de coupe.

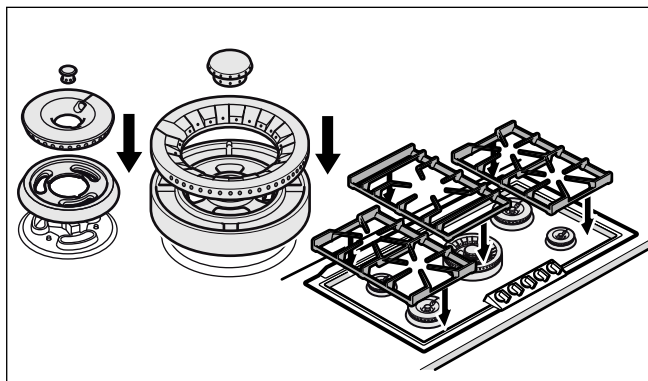
2 Faire pivoter sur le côté les griffes de serrage. Insérer la table de cuisson dans la découpe et bien la centrer.



3 Serrer à fond et de manière régulière toutes les griffes de serrage. S'assurer que le cadre est bien d'aplomb.



4 Poser les bagues et chapeaux de brûleurs ainsi que le porte-casserole.



5 Effectuer le branchement du gaz et le branchement électrique. Sans alimentation électrique, l'appareil ne peut pas fonctionner.

- 6 Vérifier le fonctionnement de l'appareil. Si l'appareil se coupe et que le voyant de fonctionnement clignote, cela signifie que de l'air peut se trouver dans la conduite de gaz. Mettez à 0 toutes les manettes de commande et rallumez les brûleurs.

Remarque : Pour fixer la table de cuisson au plan de travail, il faut utiliser toutes les griffes fournies. C'est la seule façon de garantir une pose correcte.

Branchement du gaz

L'appareil est expédié depuis l'usine pour être utilisé avec du gaz naturel. S'il doit être utilisé avec du gaz propane, il doit être converti. Un technicien ou installateur qualifié devra se charger de la conversion.

Avant le branchement, assurez-vous que les conditions locales (type et pression de gaz) sont conformes aux réglages de l'appareil.

Avant le branchement, assurez-vous que l'arrivée du gaz est fermée sur le robinet d'arrêt.

Le branchement du gaz doit se trouver dans une pièce permettant un accès au robinet d'arrêt manuel et doit être visible après ouverture de la porte du meuble où il se trouve le cas échéant.

INFORMATION POUR LE SERVICE APRES-VENTE

Raccorder l'alimentation du gaz au moyen du coude ½" U.S.A. et du joint d'étanchéité en fibre fournis avec l'appareil. Le filetage court non conique se visse dans l'écrou fileté. Le filetage conique long type U.S.A. est destiné à l'arrivée du gaz. Ventiler la conduite de gaz, rechercher les fuites. Le régulateur de pression est fourni avec l'appareil et est réglé pour le gaz naturel. Adaptation du régulateur au gaz propane :

Marque Essex, modèle SX 229 NA-602 ½ PSIG

- 1 Enlever le couvercle en aluminium se trouvant sur le régulateur.
- 2 Retourner le couvercle. À l'intérieur se trouve le marquage LP 10.
- 3 Remettre le couvercle sur le régulateur.

Marque Maxitrol, modèle RV 47 CL ½ PSIG

- 1 Enlever le couvercle en aluminium se trouvant sur le régulateur.
- 2 Enlever la tige en plastique jaune du bouchon en la poussant sur le côté jusqu'à ce qu'elle saute de la gorge qui se trouve dans le couvercle.
- 3 Retourner la tige et la remettre à l'intérieur de la découpe du couvercle
- 4 Remettre le couvercle sur le régulateur.

Brancher l'alimentation électrique

Avant de brancher le cordon d'alimentation à la prise de courant murale, s'assurer que le robinet d'arrêt du gaz et toutes les commandes des brûleurs sont en position fermée (OFF).

Le branchement électrique (CA 110-127 V) s'effectue au moyen d'un cordon d'alimentation doté d'une fiche à contact de terre venant se brancher dans une prise de courant à prise de terre, qui doit rester accessible même après l'installation de la table de cuisson à gaz.

Montage des chapeaux de brûleur

Pour que la table de cuisson fonctionne correctement, il faut s'assurer du positionnement correct des éléments des brûleurs. Si les éléments des brûleurs ne sont pas bien en place, un ou plusieurs des problèmes suivants peuvent se produire :

- Les flammes montent trop haut.
- Les flammes jaillissent des brûleurs.
- Les brûleurs ne s'allument pas.
- Les flammes sont irrégulières
- Une odeur de gaz sort d'un brûleur.

Mise en place des éléments de brûleurs

Une fois le branchement électrique fait, assembler correctement les éléments des brûleurs. Une fois les éléments du brûleur assemblés, s'assurer que la tête est bien en place sur la base de façon que le capteur de chaleur soit positionné correctement dans l'orifice de la tête du brûleur. L'ergot situé sur la bague du brûleur doit s'engager dans la gorge du brûleur.

Vérification du positionnement du chapeau de brûleur

S'assurer qu'il n'y a pas d'espace vide entre les éléments du brûleur. Vous pouvez essayer de faire bouger en douceur les éléments du brûleur d'un côté à l'autre pour vérifier qu'ils sont bien en place.

Vérification de l'installation

Vérifier le fonctionnement des allumeurs électriques.
Observer les caractéristiques des flammes. Les flammes doivent être bleues sans pointes jaunes.

Flammes jaunes :

Il faut régler le brûleur.

Pointes jaunes sur cônes extérieurs :

Normal pour le gaz GPL.

Flammes bleutées

Normal pour le gaz naturel.

Si la flamme est entièrement ou majoritairement jaune, vérifier que le régulateur est bien réglé pour le type de gaz utilisé. Refaire un essai après réglage.

Durant la phase d'allumage, des rayures jaunes sont normales. Faire fonctionner l'appareil pendant 4 à 5 minutes et réévaluer la qualité des flammes avant de modifier les réglages.

Changement de type de gaz

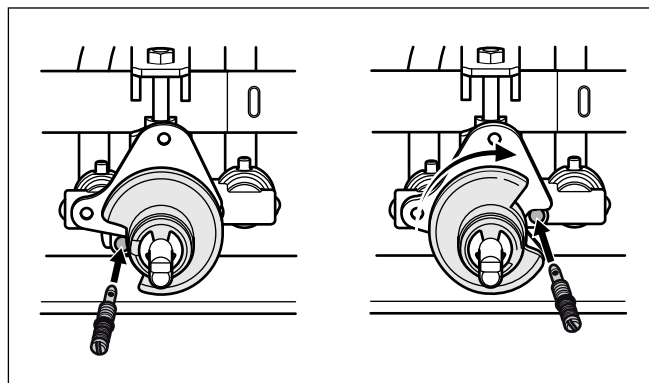
Cette table de cuisson à gaz est conforme aux catégories indiquées sur la plaquette d'identification. Le changement des injecteurs permet d'adapter l'appareil à chacun des gaz mentionnés. Des jeux d'injecteurs adéquats peuvent être obtenus auprès de notre service après-vente. Sur certains modèles, le jeu nécessaire est inclus dans la fourniture.

L'adaptation à un nouveau type de gaz doit être faite par un technicien agréé.

Avant le changement d'injecteurs, couper l'alimentation électrique et l'arrivée du gaz.

Remplacement des injecteurs de feu doux

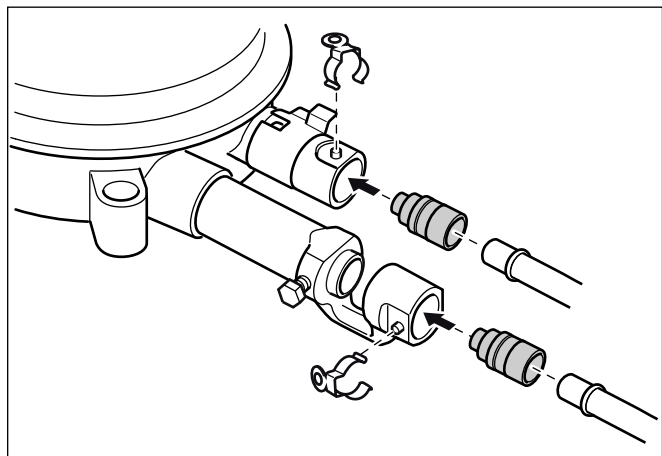
- 1 Enlever la grille porte-casseroles et tous les éléments des brûleurs.
- 2 Retirer les manettes de commande. Desserrer les écrous de fixation de la table (3 écrous de 7 sur chaque brûleur) et avec précaution, sortir la table vers le haut.
- 3 Les injecteurs de feu doux se trouvent dans le robinet à gaz et se vissent par le haut. Tourner la pièce en plastique noir de façon que l'évidement se trouve au-dessus de l'injecteur. Dévisser l'injecteur et le sortir avec une petite pince.
- 4 Visser jusqu'à la butée les nouveaux injecteurs de feu doux, selon le tableau des injecteurs.



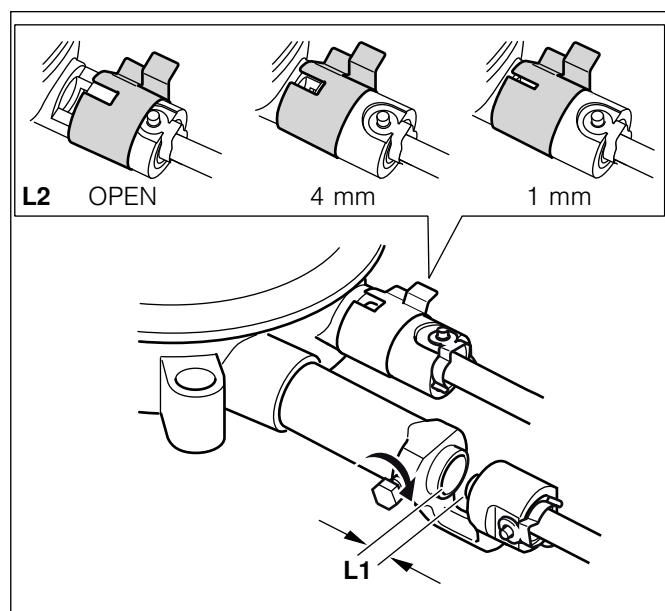
Remplacement des injecteurs principaux du brûleur normal et du brûleur rapide

- 1 Enlever les agrafes de sûreté des tuyaux de brûleur. Dévisser le brûleur. Retirer les tuyaux de brûleur. L'électrode peut rester branchée. détacher le brûleur des tuyaux.
- 2 Retirer les injecteurs à la main des tuyaux de brûleur, retirer le joint torique.
- 3 Vérifier que le joint torique est bien en place dans les nouveaux injecteurs principaux. Emboîter les

injecteurs sur les tuyaux de brûleur, en veillant à ne pas cintrer les tuyaux !



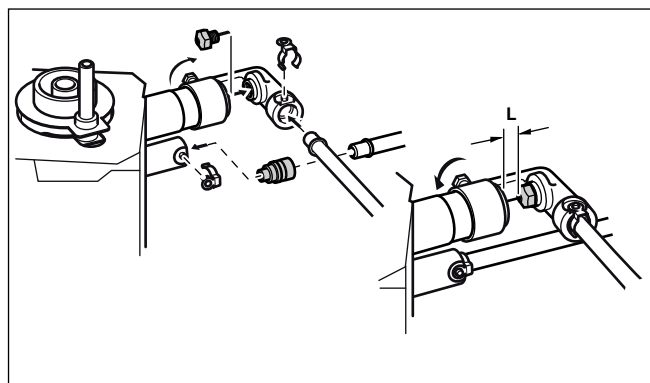
- 4 Emboîter les brûleurs sur les tuyaux de brûleur. Fixer les agrafes de sûreté. Visser les brûleurs.
- 5 Après desserrage de la vis, régler à la cote correcte la bague de régulation d'air du brûleur extérieur (voir le tableau des injecteurs - L1). Resserrer la vis.
- 6 Régler à la cote correcte la bague de régulation d'air du brûleur intérieur, par rotation ou déplacement (voir le tableau des injecteurs - L2).



- 7 Poser et visser la table de manière régulière. Poser les éléments des brûleurs et la grille porte-casserolles, veiller à bien positionner le tout.
- 8 Ajuster le régulateur de pression à la pression correcte (c.f. "Branchement du gaz").

Remplacement des injecteurs principaux du brûleur à wok

- 1 Enlever les agrafes de sûreté des tuyaux de brûleur. Retirer les tuyaux de brûleur. Desserrer la vis de la bague de régulation d'air. Enlever le porte-injecteur.
- 2 Retirer à la main l'injecteur et le joint torique du brûleur du cercle intérieur. Dévisser l'injecteur du brûleur du cercle extérieur (clé de 10).
- 3 Vérifier que le joint torique est bien en place dans le nouvel injecteur principal du brûleur du cercle intérieur. Enfiler l'injecteur sur le tuyau de brûleur. Visser jusqu'à la butée dans le porte-injecteur le nouvel injecteur principal du brûleur du cercle extérieur.
- 4 Emboîter le porte-injecteur et les tuyaux de brûleur. Fixer les agrafes de sûreté.
- 5 Après desserrage de la vis, régler la bague de régulation d'air à la cote correcte (voir le tableau des injecteurs). Resserrer la vis.
- 6 Poser et visser la table de manière régulière. Emboîter les manettes de commande. Poser les éléments des brûleurs et la grille porte-casserolles, veiller à bien positionner le tout.



Si une correction des injecteurs de feu doux est nécessaire parce que le type de gaz ou les pressions ont changé, il est possible d'augmenter le débit en tournant vers la gauche.

Avec ces brûleurs, le réglage de l'air primaire n'est pas nécessaire.

Après la modification, vérifier le fonctionnement :

Les flammes ne doivent pas avoir de pointes jaunes. Lors du passage rapide de la position plein feu à la position feu doux, la flamme ne doit pas s'éteindre.

Remarque : Apposez sur la plaquette d'identification de l'appareil l'autocollant indiquant le nouveau type de gaz.

Service après-vente

Si votre appareil doit être réparé, notre service après-vente est à votre disposition. Nous trouvons toujours une solution adaptée, y compris pour éviter les visites inutiles de techniciens.

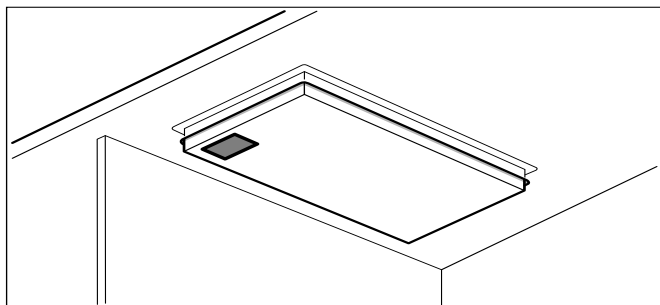
Lors de votre appel, indiquez le numéro du produit (n° E) et le numéro de série (n° FD) afin que nous puissions vous donner une réponse précise. La plaquette d'identification comportant ces numéros se trouve sur le dessous de l'appareil. Pour ne pas avoir à chercher longtemps en cas de besoin, vous pouvez inscrire ici les références de l'appareil et le numéro de téléphone du service après-vente.

N° E

N° FD

Service après-vente ☎

N'oubliez pas qu'en cas de fausse manœuvre, la visite d'un technicien d'après-vente n'est pas gratuite, même pendant la garantie.



Vous trouverez les données de contact pour tous les pays dans l'annuaire ci-joint du service après-vente.

Demande de réparation et conseils en cas de dysfonctionnement


CA 877 442 4436

toll-free

Faites confiance à la compétence du fabricant. Ainsi vous êtes assurés que la réparation sera effectuée par des techniciens formés qui possèdent les pièces de rechange d'origine pour votre appareil.

INSTRUCCIONES DE SEGURIDAD IMPORTANTES

LEA Y CONSERVE ESTAS INSTRUCCIONES

 **ADVERTENCIA:** Si la información en estas instrucciones no se sigue con precisión, se puede producir un incendio o una explosión ocasionando daños a la propiedad, lesiones a las personas o incluso la muerte.

- No almacene ni use gasolina u otros vapores y líquidos inflamables en la proximidad de este aparato o cualquier otro.
- **QUÉ HACER SI DETECTA OLOR A GAS**
 - No trate de encender ningún aparato.
 - No toque ningún interruptor eléctrico.
 - No utilice ningún teléfono en su edificio.
 - Llame inmediatamente a su proveedor de gas desde un teléfono vecino. Siga las instrucciones del proveedor de gas.
 - Si no puede contactar a su proveedor de gas, comuníquese con el departamento de bomberos.
- La instalación y el servicio deben ser llevados a cabo por un instalador calificado, agencia de servicio o el proveedor de gas.



INSTRUCCIONES DE SEGURIDAD IMPORTANTES

LEA Y CONSERVE ESTAS INSTRUCCIONES

IMPORTANTE: LA INSTALACIÓN DEL APARATO DEBE SER REALIZADA POR UN INSTALADOR CUALIFICADO.

INSTALADOR: DEJE ESTAS INSTRUCCIONES CON EL ELECTRODOMÉSTICO CUANDO HAYA FINALIZADO LA INSTALACIÓN. IMPORTANTE: CONSERVELAS PARA USO DEL INSPECTOR LOCAL.

ADVERTENCIA

Si no sigue la información de este manual exactamente, se puede ocasionar un incendio o una descarga eléctrica que puede causar daños materiales o lesiones personales.

ADVERTENCIA

No reparar, sustituir ni quitar ninguna pieza del electrodoméstico a menos que se recomiende de forma específica en los manuales. Una instalación, servicio o mantenimiento inadecuados pueden causar lesiones o daños materiales. Consultar este manual para recibir ayuda. Todos los demás servicios debe realizarlos un agente autorizado.

Una instalación inadecuada puede significar perder el derecho a hacer válida la garantía del producto.

Seguridad de manejo del electrodoméstico

Las superficies ocultas pueden tener bordes filosos. Proceda con cuidado al intentar tomar el electrodoméstico por la parte trasera o desde abajo.

Códigos y normas de seguridad

Este electrodoméstico cumple con una o más de las siguientes normas:

- **UL 858, Norma de seguridad para estufas eléctricas de uso doméstico (Standard for the Safety of Household Electric Ranges)**
- **UL 923, Norma de seguridad para electrodomésticos de cocción por microondas (Standard for the Safety of Microwave Cooking Appliances)**
- **UL 507, Norma de seguridad para ventiladores eléctricos (Standard for the Safety of Electric Fans)**
- **ANSI Z21.1, Norma nacional estadounidense para electrodomésticos de gas para cocinar de uso doméstico (American National Standard for Household Cooking Gas Appliances)**
- **CAN/CSA-C22.2 N.º 113-M1984, Ventiladores (Fans and Ventilators)**
- **CAN/CSA-C22.2 N.º 61-M89, Estufas de uso doméstico (Household Cooking Ranges)**

Es responsabilidad del propietario y del instalador determinar si se aplican otros requisitos y/o normas en instalaciones específicas.

La instalación debe cumplir con los códigos locales o, en el caso de que no haya un código local, con el Código Nacional de Gas Combustible (National Fuel Gas Code), ANSI Z223.1.

El electrodoméstico debe estar conectado a tierra eléctricamente de conformidad con los códigos locales o, en el caso de que no haya un código local, con la última edición del Código Nacional Eléctrico ANSI/NFPA N.º 70. (En Canadá, la instalación debe realizarse de conformidad con los Códigos de Instalación para Electrodomésticos de Combustión a Gas CAN 1- B149.1 y .2 y/o los códigos locales).

INSTRUCCIONES DE SEGURIDAD IMPORTANTES

LEA Y CONSERVE ESTAS INSTRUCCIONES

Seguridad eléctrica

ADVERTENCIA

Antes de enchufar un cable eléctrico o activar el suministro eléctrico, asegurarse de que todos los controles están en la posición OFF.

Para los electrodomésticos equipados con cable y enchufe, no corte ni retire la espiga de conexión a tierra. Debe enchufarse en un receptáculo de conexión a tierra compatible para evitar descargas eléctricas. Si tiene alguna duda respecto de si el receptáculo de pared está correctamente conectado a tierra, el cliente debe solicitar la verificación de un electricista calificado.

Si el Código Nacional Eléctrico (o el Código Eléctrico Canadiense) así lo requiere, este electrodoméstico debe instalarse en un circuito derivado por separado.

El disyuntor debe tener una separación de contacto de, al menos, 3 mm en todos los polos.

Asegúrese de que el electrodoméstico sea correctamente instalado y conectado a tierra por un técnico calificado. La instalación, las conexiones eléctricas y la conexión a tierra deben cumplir con todos los códigos correspondientes.

Antes de realizar la instalación, apague la alimentación eléctrica en el panel de servicio. Trabe el panel de servicio para impedir que se encienda accidentalmente la alimentación eléctrica.

El instalador debe mostrar al propietario la ubicación del disyuntor o el fusible. Márquela para recordarla más fácilmente.

Seguridad con el gas

Instale una válvula de paso de gas cerca del electrodoméstico. Debe ser de fácil acceso en una emergencia.

La prueba de fuga debe ser realizada por el instalador según las instrucciones de este manual.

El electrodoméstico y su válvula de paso individual deben estar desconectados del sistema de tuberías de alimentación de gas durante cualquier prueba de presión a presiones que exceden ½ psi (3.5 kPa).

El electrodoméstico debe aislarse del sistema de tuberías de alimentación de gas cerrando su válvula de paso manual individual durante cualquier prueba de presión del sistema de tuberías de alimentación de gas, a presiones de prueba iguales o menores de ½ psi (3.5 kPa).

La presión de suministro mínima debe ser una columna de agua de 1 pulg. por encima de la presión de admisión impresa en la placa de datos.

La presión de suministro máxima no debe exceder una columna de agua de 14.0 pulg. (34.9 milibares).

ADVERTENCIA DE SEGURIDAD IMPORTANTE: La combustión de gas como combustible para cocinar genera algunos subproductos que se encuentran en la lista de sustancias que el estado de California sabe causan cáncer o daños reproductivos. Para minimizar la exposición a estas sustancias, siempre haga funcionar esta unidad según las instrucciones que contiene este manual y permita una buena ventilación.



INSTRUCCIONES DE SEGURIDAD IMPORTANTES

LEA Y CONSERVE ESTAS INSTRUCCIONES

Instalación de gas propano

El tanque de gas propano debe estar equipado con su propio regulador de alta presión. Además, también debe utilizarse el regulador que se suministra con esta unidad.

El electrodoméstico se envía desde la fábrica para uso con gas natural. Debe convertirse para uso con propano. Un técnico o instalador calificados deben realizar la conversión.

Este electrodoméstico ha sido certificado para un funcionamiento seguro hasta una altura de 10,000 pies sin modificaciones. Excepción: Para uso con propano, el electrodoméstico debe convertirse de acuerdo con las instrucciones de conversión de propano líquido.

Para instalaciones en Massachusetts:

- La instalación debe ser realizada por un contratista, plomero o instalador de gas calificados o con licencia otorgada por el estado, la provincia o la región donde se instale este electrodoméstico.
- La válvula de paso debe ser una llave de gas con mango en "T".
- El conector de gas flexible no debe tener una longitud superior a 36 pulgadas.

Instalador: muestre al propietario dónde está ubicada la válvula de paso de gas.

Seguridad del equipo relacionado

Se garantiza la seguridad de uso de la placa solamente si es instalada por un especialista de acuerdo con estas instrucciones de instalación. El instalador es responsable de cualquier daño que se produzca debido a la instalación incorrecta.

Retire toda la cinta y el embalaje antes de usar el electrodoméstico. Destruya el embalaje después de desembalar el electrodoméstico. Nunca deje que los niños jueguen con el material de embalaje.

Nunca modifique ni altere la construcción del electrodoméstico. Por ejemplo, no retire las patas niveladoras, paneles, cubiertas para cables ni soportes/tornillos antivuelco.

Para eliminar el riesgo de quemaduras o incendio al tocar unidades de la superficie calentadas, se debe evitar dejar espacio de almacenamiento en gabinetes sobre las unidades de la superficie. En el caso de que haya almacenamiento en gabinetes, se puede reducir el riesgo instalando una campana que se proyecte horizontalmente 5 pulgadas (127 mm) como mínimo de la parte inferior del gabinete.

Verifique que los gabinetes que se encuentran sobre la placa tengan 13 pulg. (330 mm) de profundidad como máximo.

Al instalar una placa sobre un horno individual, asegúrese de seguir las instrucciones de los Manuales de instalación del horno y de la placa.

Recomendaciones

Recomendamos categóricamente la instalación de una campana de ventilación arriba de este electrodoméstico. La campana debe instalarse según las instrucciones proporcionadas con la campana.

ATENCIÓN

El electrodoméstico no debe instalarse con un sistema de ventilación que disperse aire hacia abajo, en dirección a las hornillas. Este tipo de sistema de ventilación puede causar problemas de encendido y de combustión con el electrodoméstico para cocinar a gas, que pueden tener como consecuencia lesiones personales o una operación no intencional.

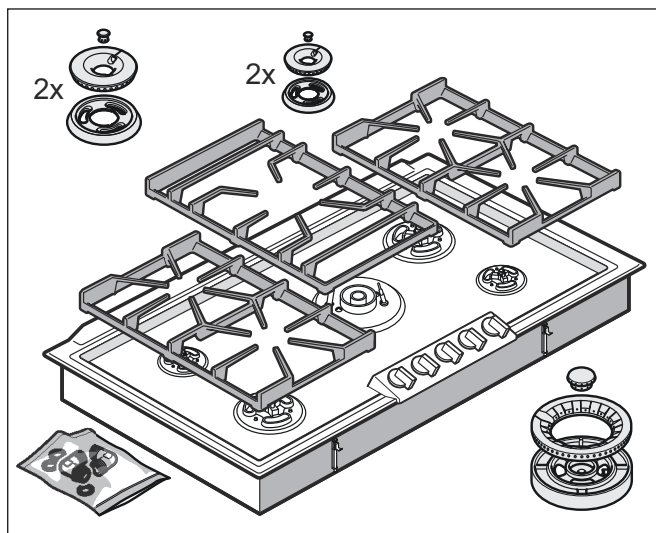
Antes de empezar

Herramientas y piezas necesarias

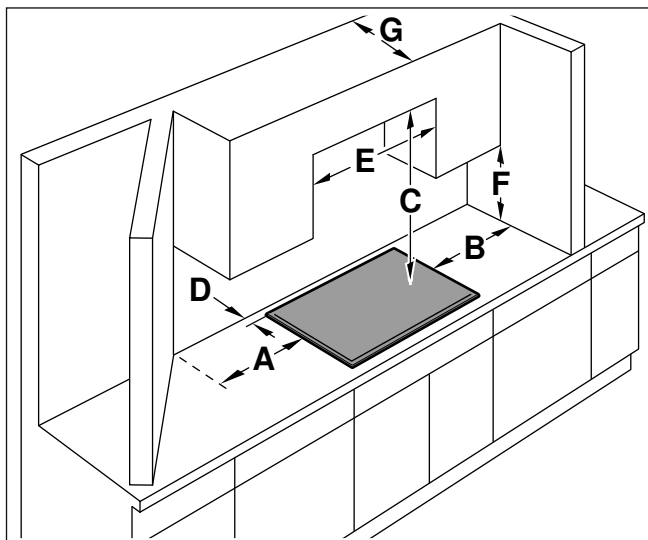
- Destornillador con cabeza Phillips
- Lápiz
- Taladro con broca de ¼" (6 mm)
- Sierra caladora
- Cinta métrica

Nota: Es posible que se necesiten otros materiales para la instalación en superficies de trabajo sólidas. Comuníquese con el fabricante de la superficie de trabajo.

Piezas incluidas



Requisitos de gabinetes



Los espacios mínimos que se deben mantener para la instalación de la placa de cocción de gas son los siguientes:

- A mínimo 12" (300 mm)
- B mínimo 12" (300 mm)
- C huelgo mínimo de 30" (762 mm) entre la parte superior de la superficie de cocción y la parte inferior de la carcasa de ventilación.
- D mínimo 1⁹/₁₆" (40 mm)
- E mínimo 24" (600 mm)
- F mínimo 18" (460 mm)

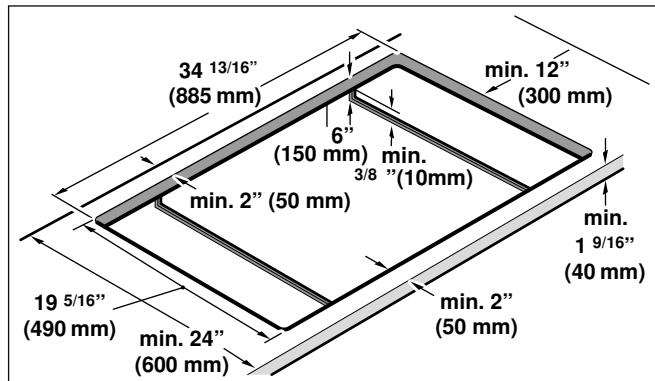
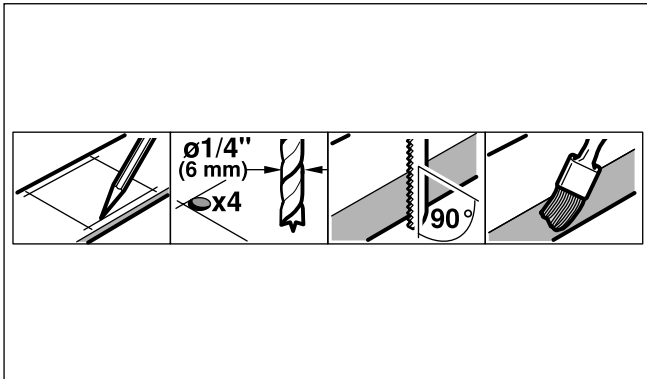
La distancia desde la parte superior de la placa hasta la parte inferior de los gabinetes que se encuentran arriba se puede reducir a 24" cuando la parte inferior del gabinete de madera o metal está protegida por un cartón ignífugo de ¼" (6,35 mm) de grosor, cubierto por una lámina de acero MSG N.º 28, acero inoxidable de 0,015" (0,4 mm) de grosor, aluminio o cobre de 0,024" (0,6 mm) de grosor, como mínimo.

Requisitos de la superficie de trabajo

⚠ ADVERTENCIA

Para reducir el riesgo de ignición de materiales combustibles circundantes, instale la superficie de trabajo con una distancia de, al menos, 12" (300 mm) de ambas paredes laterales y 2" (50 mm) de la pared posterior.

La superficie de trabajo debe ser horizontal y estar nivelada. La estabilidad de la superficie de trabajo debe estar garantizada incluso después de haber realizado el hueco.



Especificaciones técnicas

Carga eléctrica conectada total: 25 VA

Tabla de boquillas para quemador wok

Gas	Gas natural tipo N	GLP (propano) tipo X
Presión	Columna de agua de 6" (1.5 kPa)	Columna de agua de 10" (2.5 kPa)
Boquilla, principal, exterior	173	110 A
Boquilla, pequeña, exterior	75	56
Boquilla, principal, interior	60	42
Boquilla, pequeña, interior	48	34
Ajuste de la holgura, exterior	0 mm	2 mm
Carga total conectada	59 700 BTU (17.5 kW)	58 000 BTU (17 kW)
Consumo total	1.67 m ³ /h	1160 g/h

Tabla de boquillas para quemador grande

Gas	Gas natural tipo N	GLP (propano) tipo X
Presión	Columna de agua de 6" (1.5 kPa)	Columna de agua de 10" (2.5 kPa)
Boquilla, principal, exterior	150	105
Boquilla, pequeña, exterior	65	45
Boquilla, principal, interior	40	29
Boquilla, pequeña, interior	42	28
Ajuste de la holgura, exterior L1	0 mm	2 mm
Ajuste de la holgura, interior L2	4 mm	abierto
Carga total conectada	59 700 BTU (17.5 kW)	58 000 BTU (17 kW)
Consumo total	1.67 m ³ /h	1160 g/h

Tabla de boquillas para quemador pequeño

Gas	Gas natural tipo N	GLP (propano) tipo X
Presión	Columna de agua de 6" (1.5 kPa)	Columna de agua de 10" (2.5 kPa)
Boquilla, principal, exterior	97	68
Boquilla, pequeña, exterior	48	34
Boquilla, principal, interior	40	29
Boquilla, pequeña, interior	42	28
Ajuste de la holgura, exterior L1	0 mm	6 mm
Ajuste de la holgura, interior L2	4 mm	abierto
Carga total conectada	59 700 BTU (17.5 kW)	58 000 BTU (17 kW)
Consumo total	1.67 m ³ /h	1160 g/h

Procedimiento de instalación

Preparación de los muebles de montaje

Realizar el recorte para uno o varios aparatos Vario en la encimera según el croquis de montaje. El ángulo de la superficie de corte respecto a la encimera deberá ser de 90°.

Eliminar la viruta después de los trabajos de recorte. Sellar las superficies de corte termorresistentes.

Algunas encimeras sólidas requieren condiciones de instalación especiales. Por ejemplo, es posible que se debe utilizar cinta ignífuga y esquinas redondeadas. Póngase en contacto con el fabricante de su encimera para obtener instrucciones sobre la misma.

Respetar una distancia mínima de $\frac{3}{8}$ " (10 mm) entre la parte inferior del aparato y los muebles.

En caso de instalar varios aparatos Vario: tener en cuenta el espacio necesario para la regleta de conexión VV 200 entre los aparatos. Los aparatos también se pueden montar en recortes independientes respetando las distancias mínimas de $1\frac{9}{16}$ " (40 mm) entre aparatos.

Montaje del aparato

⚠ ADVERTENCIA

Antes de enchufar un cable eléctrico o activar el suministro eléctrico, asegurarse de que todos los controles están en la posición OFF.

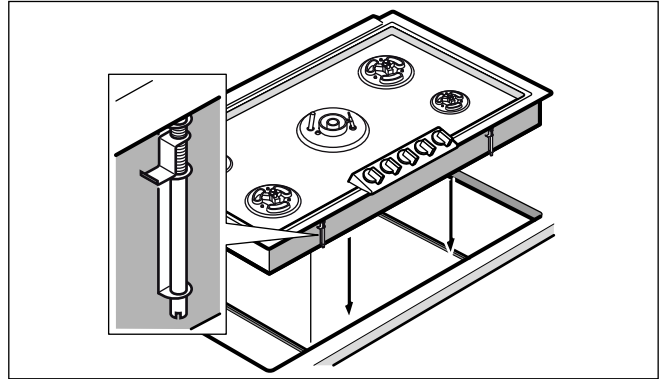
La aspiración de aire se realiza desde arriba. No requiere suelo intermedio.

En caso de anexión a otros aparatos de la serie 200 de Vario, se recomienda dejar una distancia mínima de 50 mm entre los distintos recortes.

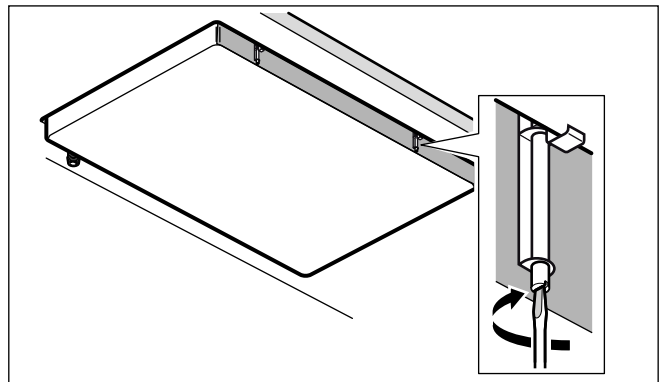
Rango de sujeción del tensor de encimera: 30 - 50 mm.

1 Realizar un recorte en la encimera de acuerdo con el dibujo de montaje. Observar las distancias mínimas hasta la pared posterior y los muebles laterales. Sellar los bordes de recorte.

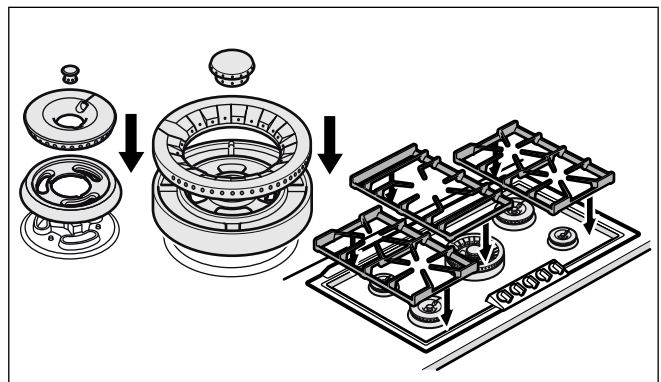
2 Bascular las uñas de sujeción hacia un lado. Colocar la placa de cocción a gas en el recorte y alinearla uniformemente.



3 Atornillar uniformemente todas las uñas de sujeción. Comprobar que todo el marco esté plano.



4 Colocar los anillos y la tapa de los quemadores y el soporte para ollas.



5 Conectar el gas y las conexiones eléctricas. El aparato no funciona si no dispone de alimentación eléctrica.

6 Comprobar que funcione el aparato. Si el aparato se apaga y el indicador de funcionamiento parpadea, es posible que haya aire en la tubería de gas. Gire todas las manetas de mando a la posición 0 y vuelva a encender los quemadores.

Nota: Fijar la placa de cocción a la encimera con todas las uñas de sujeción adjuntas. Sólo de este modo quedará garantizado un montaje correcto.

Conectar el suministro de gas

El electrodoméstico se envía desde la fábrica para uso con gas natural. Debe convertirse para uso con propano. Un técnico o instalador calificados deben realizar la conversión.

Antes de conectar el equipo, compruebe si las condiciones de conexión del lugar tales como el tipo de gas y la presión de gas coinciden con la configuración del equipo.

Cerciórese de que el suministro de gas está desconectado en la válvula de cierre manual antes de proceder a la conexión del equipo.

La conexión de gas debe hallarse en una ubicación que permita el acceso a la válvula de cierre manual y que, en caso dado, sea visible tras la apertura de la puerta del armario.

INFORMACIÓN SOLO PARA EL TÉCNICO DE SERVICIO

Conectar el suministro de gas utilizando un tubo acodado EE.UU. de ½" y la junta de fibra suministrada con la unidad. La rosca más corta, no cónica encaja en la tuerca roscada de la placa de cocción. La rosca más larga, cónica EE.UU. es para el suministro de gas de admisión. Airear la línea de gas, comprobar la presencia de fugas. El regulador de presión de gas se suministra con la unidad y está configurado para gas natural. Para convertir el regulador a gas LP (propano):

Versión Essex modelo SX 229 NA-602 ½ PSIG

- 1 Retirar la tapa de aluminio de la parte de arriba del regulador.
- 2 Dar la vuelta a la tapa. Presenta la rotulación LP 10 en el interior.
- 3 Sustituir la tapa del regulador.

Versión Maxitrol modelo RV 47 CL ½ PSIG

- 1 Retirar la tapa de aluminio de la parte de arriba del regulador.
- 2 Retirar el eje de plástico amarillo de la tapa; para ello, presionarlo lateralmente hasta que salga de la ranura de la tapa.
- 3 Dar la vuelta al eje y presionarlo hasta que quede colocado en la sección de la tapa.
- 4 Sustituir la tapa del regulador.

Conexión de la alimentación eléctrica

Antes de conectar el cable de suministro a la toma de pared, asegúrese de que la válvula de cierre de gas y todos los controles de los quemadores se hallan en la posición OFF.

La conexión eléctrica (AC 110-127 V) se establece mediante un cable de conexión provisto de una clavija de toma de tierra conectada a una toma de tierra. Dicha toma de tierra debe permanecer accesible después de la instalación de la placa de cocción de gas.

Colocación de la tapa del quemador

Para que la encimera funcione bien las piezas de los quemadores deben colocarse correctamente. Si las piezas de los quemadores no se colocan correctamente, podrían producirse uno o varios de los siguientes problemas:

- Las llamas de los quemadores son demasiado altas.
- Las llamas salen bruscamente de los quemadores.
- Los quemadores no se encienden.
- Las llamas de los quemadores no se encienden de manera uniforme.
- Sale olor a gas del quemador.

Colocación de las piezas de los quemadores

Una vez finalizada la conexión eléctrica, ensamblar correcta y uniformemente las piezas de los quemadores. Durante el ensamblado de las piezas de los quemadores, asegurarse de que el cabezal del quemador se coloque en la base con el sensor térmico situado en la abertura del cabezal del quemador. El pasador de retención del anillo del quemador debe penetrar en la ranura correspondiente del cabezal del quemador

Comprobación de la colocación de la tapa del quemador

Compruebe que no haya espacios huecos entre las piezas del quemador. Mueva cuidadosamente las piezas del quemador a uno y otro lado para comprobar que estén colocadas correctamente.

Pruebe la instalación

Comprobar el funcionamiento de los encendedores eléctricos. Comprobar las características de la llama. La llama debe ser de color azul sin puntas de color amarillo.

Llamas de color amarillo:

Se requiere un ajuste adicional.

Puntas amarillas en los conos exteriores:

Normal para gas LPG.

Llamas de color azul suave:

Normal para gas natural.

Si la llama presenta un color amarillo total o mayoritario, comprobar que el regulador presente un ajuste correcto para el gas correspondiente. Una vez realizado el ajuste correspondiente, vuelva a realizar una prueba de funcionamiento.

La formación de ciertas franjas amarillas es normal durante la fase inicial de arranque. Deje que la unidad funcione 4 o 5 minutos y lleve a cabo a continuación una nueva evaluación antes de realizar los ajustes correspondientes.

Cambio a otro tipo de gas

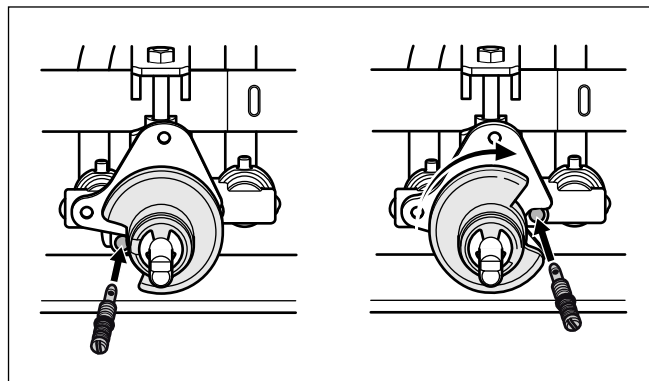
Esta encimera de gas es apta para las categorías indicadas en la placa de características. Cambiando las boquillas, el aparato se puede adaptar para todos los gases especificados. El kit de conversión se puede solicitar por medio de nuestro servicio de atención al cliente. En muchos modelos, el kit de conversión forma parte del volumen de suministro.

La conversión del aparato para otro tipo de gas únicamente puede ser realizada por un técnico autorizado.

Antes de cambiar las boquillas se deben cerrar las alimentaciones eléctrica y de gas.

Sustitución de las boquillas de ajuste pequeñas

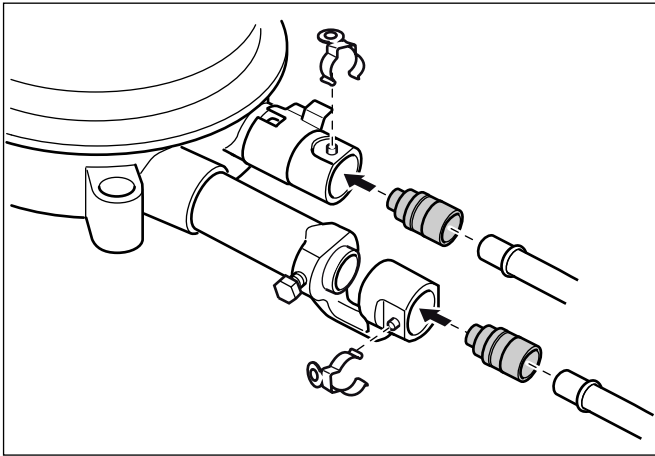
- 1 Retirar el soporte de ollas y todas las piezas del quemador.
- 2 Extraer la maneta de mando. Soltar las tuercas de sujeción de la placa (en cada quemador 3 tuercas SW7) y retirar la placa con precaución hacia arriba.
- 3 Las boquillas de ajuste pequeñas, que se encuentran en la llave del gas, se enroscan desde arriba. Girar la pieza de plástico negra de modo que el hueco se encuentre sobre la boquilla correspondiente. Desenroscar la boquilla y extraerla con un alicate pequeño.
- 4 Enroscar la boquilla de ajuste pequeña nueva según la tabla de boquillas hasta el tope.



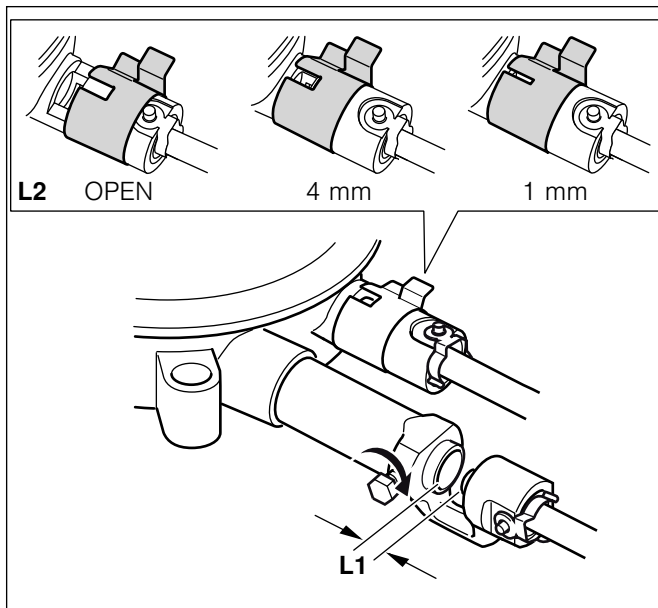
Sustitución de las boquillas principales del quemador normal y quemador potente

- 1 Quite los clips de seguridad de las tuberías de los quemadores. Afloje los tornillos de los quemadores. Saque las tuberías de los quemadores. El electrodo puede quedar conectado. Sáque los quemadores de las tuberías de los mismos.
- 2 Saque con la mano las boquillas de las tuberías de los quemadores, retire el anillo en forma de O.
- 3 Verifique que el anillo en forma de O esté en la posición correcta en las nuevas boquillas principales. Deslice las boquillas sobre las tuberías

de los quemadores. ¡Tenga cuidado de no doblar las tuberías de los quemadores!



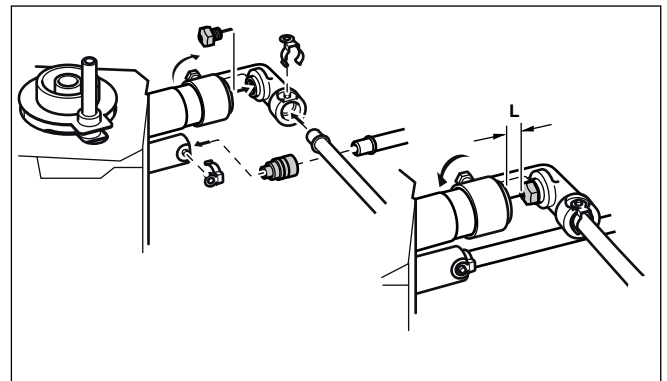
- 4 Introduzca los quemadores en sus tuberías correspondientes. Coloque los clips de seguridad. Apriete los tornillos de los quemadores.
- 5 Después de aflojar el tornillo, ajuste el cartucho de regulación de aire del quemador exterior a la medida correcta (ver tabla de boquillas - L1). Vuelva a apretar el tornillo.
- 6 Ajuste a la medida correcta el cartucho de regulación de aire del quemador interior girándolo o bien desplazándolo (ver tabla de boquillas - L2).



- 7 Coloque la tolva y atornillela uniformemente. Coloque las partes del quemador y la parrilla, poniendo atención en que estén en su posición correcta.
- 8 Ajustar el regulador de presión a la presión correcta (véase "Conectar el suministro des gas").

Sustitución de las boquillas principales Quemador Wok

- 1 Retirar el clip de seguridad en los conductos del quemador. Retirar los conductos del quemador. Soltar el tornillo en el casquillo de regulación de aire. Retirar el portaboquillas.
- 2 Extraer la boquilla y la junta toroidal para el quemador del círculo interior a mano. Desenroscar la boquilla para el quemador del círculo exterior (SW10).
- 3 Comprobar el asiento correcto de la junta toroidal en la boquilla principal nueva para el quemador del círculo interior. Deslizar la boquilla sobre el conducto del quemador. Enroscar la boquilla principal nueva para el quemador de círculo exterior hasta el tope en el portaboquillas.
- 4 Insertar el portaboquillas y los conductos del quemador. Volver a colocar el clip de seguridad.
- 5 Ajustar el casquillo de regulación de aire después de soltar el tornillo a su medida correcta (véase tabla de boquillas). Volver a apretar bien el tornillo.
- 6 Colocar la placa y atornillarla uniformemente bien. Insertar la maneta de mando. Colocar las piezas del quemador y el soporte para ollas prestando atención a que queden en la posición correcta.



Si fuera necesario corregir las boquillas de ajuste pequeñas debido a diferencias en los tipos de gas y en las presiones, gírelas a la izquierda para aumentar el caudal.

Estos quemadores no requieren ningún ajuste en el aire principal.

Después de la conversión, compruebe que funcione el aparato:

La punta de las llamas no puede ser de color amarillo. La llama no debe apagarse al cambiar rápido de fuego grande a pequeño.

Nota: Coloque el adhesivo con el tipo de gas empleado actualmente en la placa de características del aparato.

Servicio de atención al cliente

Si su aparato necesita una reparación, nuestro servicio de atención al cliente estará encantado de ayudarle. Siempre encontramos la solución adecuada, incluso para evitar visitas innecesarias de los técnicos.

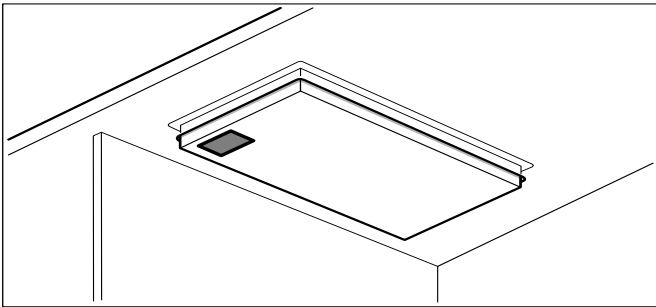
Cuando llame por teléfono, indique la referencia del producto (Nº E) y el número de fabricación (Nº FD) para que podamos ofrecerle un servicio cualificado. La placa de identificación con los números correspondientes los encontrará en la parte inferior del aparato. Para evitar tener que buscar los datos de su aparato cuando los precise, es aconsejable anotarlos aquí conjuntamente con el número de teléfono del Servicio de atención al cliente.

Nº E.

Nº FD.

Servicio de atención al cliente ☎

Tenga en cuenta que la visita del técnico del servicio de atención al cliente no es gratuito en caso de que el mal funcionamiento sea debido a un manejo incorrecto del aparato.



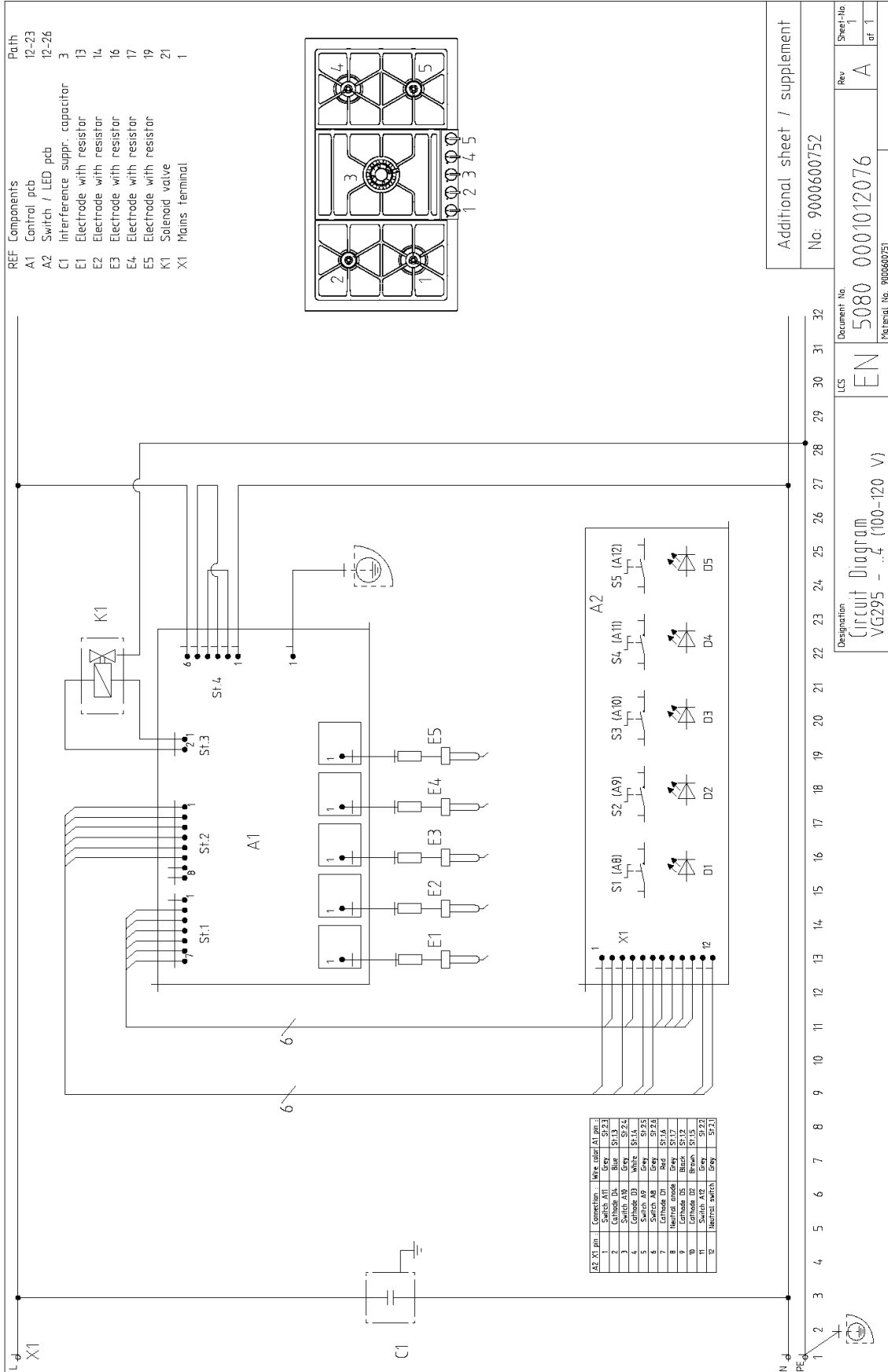
Las señas de las delegaciones internacionales figuran en la lista adjunta de centros y delegaciones del Servicio de Asistencia Técnica Oficial.

Solicitud de reparación y asesoramiento en caso de averías

US 877 442 4436
toll-free

Confíe en la competencia del fabricante. De esa forma se asegura de que la reparación se lleva a cabo por personal técnico debidamente instruido, equipado con las piezas originales y de repuesto necesarias para su aparato.

The reproduction, transmission or use of this document or its contents is not permitted without express written authority. Offenders will be liable for damages. All rights including rights created by patent grant or registration of a utility model or design are reserved. Copyright reserved.



Additional sheet / supplement
 No: 9000600752

LCS
 EN

Designation
 Circuit Diagram
 VG295 - .4 (100-120 V)

Document No.
 5080 0001012076

Rev.
 A

Sheet No.
 1 of 1

Material No. 9000600751



N PE

1 2 3 4 5 6 7 8 9 10 11 12 13 14 15 16 17 18 19 20 21 22 23 24 25 26 27 28 29 30 31 32

Gaggenau

BSH Home Appliance Corporation

1901 Main Street, Suite 600

Irvine, CA 92614

+1.877.442.4436

USA

www.gaggenau-usa.com

© 2016 BSH Home Appliances

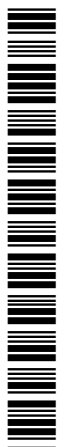
Gaggenau Hausgeräte GmbH

Carl-Wery-Straße 34

81739 München

GERMANY

GAGGENAU



9000942543 en-us, es-mx, fr-ca (970201)