

Gaggenau

Instruction manual

Instrucciones de uso

Instruções de serviço

Οδηγίες χρήσεω

AC 402/462/472/ 482

Ceiling ventilation

Ventilación del techo

Ventilação de teto

Εξαερισμός οροφής

Table of contents

Important safety information	3
Environmental protection	6
Saving energy	6
Environmentally-friendly disposal	6
Operating modes	6
Exhaust air mode	6
Air recirculation	6
Operating the appliance	7
Control panel	7
Remote control	7
Setting the fan	7
Intensive setting	7
Run-on function	8
Interval ventilation	8
Saturation display	8
Lighting	8
Safety shut-off	8
Cleaning and maintenance	9
Trouble shooting	12
Replacing the batteries in the remote control	13
After-sales service	14
Accessory	14

Additional information on products, accessories, replacement parts and services can be found at www.gaggenau.com and in the online shop www.gaggenau.com/zz/store

⚠ Important safety information

Read these instructions carefully. Only then will you be able to operate your appliance safely and correctly. Retain the instruction manual and installation instructions for future use or for subsequent owners.

The appliance can only be used safely if it is correctly installed according to the safety instructions. The installer is responsible for ensuring that the appliance works perfectly at its installation location.

This appliance is intended for domestic use and the household environment only. The appliance is not intended for use outside. Do not leave the appliance unattended during operation. The manufacturer is not liable for damage which is caused by improper use or incorrect operation.

This appliance is intended for use up to a maximum height of 2000 metres above sea level.

This appliance may be used by children over the age of 8 years old and by persons with reduced physical, sensory or mental capabilities or by persons with a lack of experience or knowledge if they are supervised or are instructed by a person responsible for their safety how to use the appliance safely and have understood the associated hazards.

Children must not play with, on, or around the appliance. Children must not clean the appliance or carry out general maintenance unless they are at least 15 years old and are being supervised.

Keep children below the age of 8 years old at a safe distance from the appliance and power cable.

Check the appliance for damage after unpacking it. Do not connect the appliance if it has been damaged in transport.

This appliance is not intended for operation with an external clock timer or a remote control.

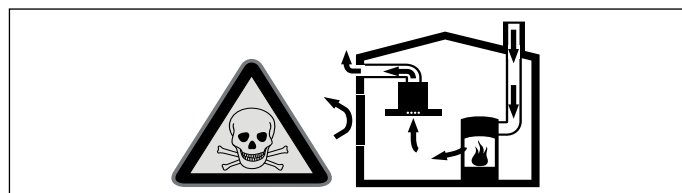
Danger of suffocation!

Packaging material is dangerous to children. Never allow children to play with packaging material.

Danger of death!

Risk of poisoning from flue gases that are drawn back in.

Always ensure an adequate air supply in the room if the appliance is being operated in air extraction mode at the same time as a non-room-sealed heat-producing appliance.

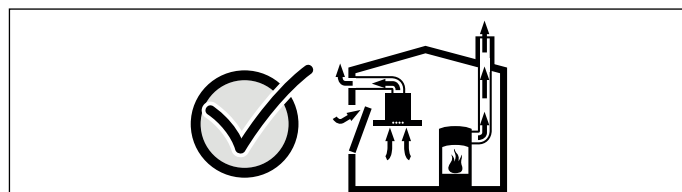


Non-room-sealed heat-producing appliances (e.g. gas-, oil-, wood- or coal-powered heaters, continuous flow heaters or water heaters) draw in combustion air from the room in which they are installed and discharge the exhaust gases into the open through an exhaust gas system (e.g. a chimney).

While the ceiling ventilation is switched on, air is extracted from the kitchen and adjacent rooms – without sufficient supply air, this causes a vacuum. Poisonous gases from the chimney or the extraction shaft are drawn back into the living space.

- Therefore, there must always be an adequate air supply.
- A supply-/exhaust-air wall box alone will not ensure compliance with the limit.

It is therefore only possible to safely operate the appliance if the vacuum in the installation room of the heat-producing appliance does not exceed 4 Pa (0.04 mbar). This can be achieved when the air needed for combustion is able to enter through openings that cannot be sealed, for example through doors, windows, supply-/exhaust-air wall boxes or by other technical means.



In any case, consult a chimney sweep. They are able to assess the house's entire ventilation setup and will suggest the ventilation measures suitable for you.

Unrestricted operation is possible if the ceiling ventilation is operated exclusively in recirculation mode.

Risk of fire!

- Grease deposits in the grease filter may catch fire.
Clean the grease filter at least every 2 months.
Never operate the appliance without the grease filter.
- Grease deposits in the grease filter may catch fire. Never work with naked flames close to the appliance (e.g. flambéing). Do not install the appliance near a heat-producing appliance for solid fuel (e.g. wood or coal) unless a closed, non-removable cover is available. There must be no flying sparks.
- Hot oil and fat can ignite very quickly. Never leave hot fat or oil unattended. Never use water to put out burning oil or fat. Switch off the hotplate. Extinguish flames carefully using a lid, fire blanket or something similar.
- When gas burners are in operation without any cookware placed on them, they can build up a lot of heat. A ventilation appliance installed above the cooker may become damaged or catch fire. Only operate the gas burners with cookware on them.
- Operating several gas burners at the same time gives rise to a great deal of heat. The ventilation appliance may become damaged or catch fire. The ventilation appliance must only be combined with gas burners that do not exceed the maximum total output of 18 kW. If the total output exceeds 12 kW, the local regulations regarding room ventilation, room size and the combination of ventilation appliances with recirculation or circulated air mode must be observed.

Risk of burns!

The accessible parts become very hot when in operation. Never touch hot parts. Keep children at a safe distance.

Risk of injury!

- Components inside the appliance may have sharp edges. Wear protective gloves.
- Risk of falling when working on the appliance. Use a stable stepladder. Choose a suitable stepladder for the working height. Only use the stepladder when it is fully opened and on level ground. Ensure that the spreading lock is locked in place. Always stand on the stepladder with two feet, do not climb too high and do not lean over the sides.

Risk of electric shock!

- A defective appliance may cause electric shock. Never switch on a defective appliance. Unplug the appliance from the mains or switch off the circuit breaker in the fuse box. Contact the after-sales service.
- Incorrect repairs are dangerous. Repairs may only be carried out and damaged power cables replaced by one of our trained after-sales technicians. If the appliance is defective, unplug the appliance from the mains or switch off the circuit breaker in the fuse box. Contact the after-sales service.
- Do not use any high-pressure cleaners or steam cleaners, which can result in an electric shock.

Causes of damage

Caution!

Risk of damage due to corrosion. Always switch on the appliance while cooking to avoid condensation. Condensate can produce corrosion damage.

Always replace faulty bulbs to prevent the remaining bulbs from overloading.

Risk of damage due to ingress of humidity into the electronic circuitry. Never clean operator controls with a wet cloth.

Surface damage due to incorrect cleaning. Clean stainless steel surfaces in the direction of the grain only. Do not use any stainless steel cleaners for operator controls.

Surface damage due to strong or abrasive cleaning agents. Never use strong and abrasive cleaning agents.

Risk of damage from returning condensate. Install the exhaust duct in such a way that it falls away from the appliance slightly (1° slope).

Environmental protection

Your new appliance is particularly energy-efficient. Here you can find tips on how to save even more energy when using the appliance, and how to dispose of your appliance properly.

Saving energy

- Only switch the ventilation on when necessary. You do not need to switch the ventilation on when cooking something for a short time that does not have a strong smell.
- Select a fan setting according to what you are cooking.
- Switch the ventilation off again after cooking.
- Cleaning the grease filter regularly will increase the efficiency of the ventilation.
- Switch the lighting on the appliance off if you are not using it.

Environmentally-friendly disposal

Dispose of packaging in an environmentally-friendly manner.



This appliance is labelled in accordance with European Directive 2012/19/EU concerning used electrical and electronic appliances (waste electrical and electronic equipment - WEEE). The guideline determines the framework for the return and recycling of used appliances as applicable throughout the EU.

Operating modes

This appliance can be used in exhaust-air mode or circulating-air mode.

Exhaust air mode



The air which is drawn in is cleaned by the grease filters and conveyed to the exterior by a pipe system.

Note: The exhaust air must not be conveyed into a functioning smoke or exhaust gas flue or into a shaft which is used to ventilate installation rooms which contain heating appliances.

- Before conveying the exhaust air into a non-functioning smoke or exhaust gas flue, obtain the consent of the heating engineer responsible.
- If the exhaust air is conveyed through the outer wall, a telescopic wall box should be used.

Air recirculation



The air which is drawn in is cleaned by the grease filters and an activated carbon filter, and is conveyed back into the kitchen.

Note: To bind odours in air recirculation mode, you must install an activated carbon filter. The different options for operating the appliance in air recirculation mode can be found in the brochure. Alternatively, ask your dealer. The required accessories are available from specialist retailers, from customer service or from the Online Shop.

Operating the appliance

Note: Switch on the ceiling ventilation when you start cooking and switch it off again a few minutes after you have finished cooking. This is the most effective way of removing the kitchen fumes.

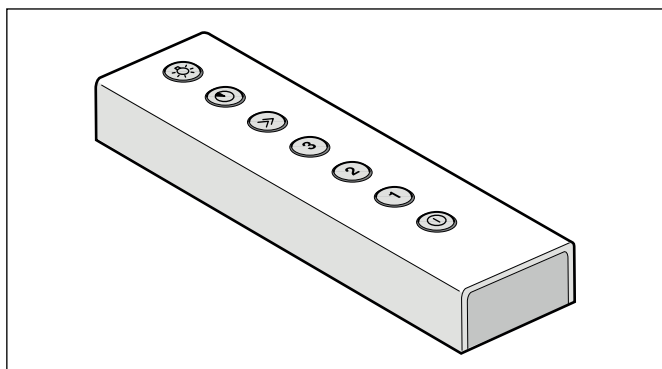
Control panel



ⓘ	Switches the fan on/off
1	Switches on fan setting 1
2	Switches on fan setting 2
3	Switches on fan setting 3
>>	Switches on intensive mode
🕒	Switches on the fan run-on
🌀	Resets the saturation indicator
💡	Switches on the lighting

Remote control

Except for resetting the saturation indicator, you can operate all appliance functions using the control panel or remote control.

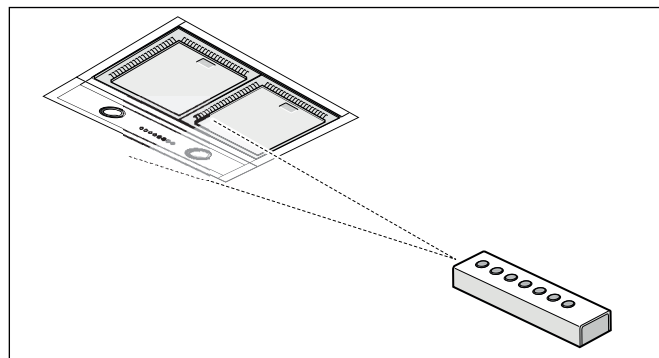


ⓘ	Switches off the fan
1	Switches on fan setting 1
2	Switches on fan setting 2
3	Switches on fan setting 3
>>	Switches on intensive mode
🕒	Switches on the fan run-on
💡	Switches on the lighting

Point the remote control at the control panel.

Notes

- Ensure that the ceiling ventilation is not obstructed.
- If the appliance does not respond even when the remote control is very close, replace the remote control batteries.



Setting the fan

Note: Always adjust the fan strength to meet current conditions. If there is a large build-up of steam or fumes, select a high fan setting.

Switching on

- 1 Press the ⓘ button.
The fan starts at setting 2.
- 2 Press the 1, 2, 3 or >> button to set the corresponding fan setting.

Note: When using the remote control, you can only switch the fan on by pressing button 1, 2, 3 or >>. Press the ⓘ button to switch the fan off.

Switching off

Press the ⓘ button.

Intensive setting

You can use the intensive setting if there is a large build-up of odours and fumes/vapours.


Switching on

- 1 Press the ⓘ button.
The fan starts at setting 2.
- 2 Press the >> button.
Intensive mode is activated.

Note: Intensive mode runs for six minutes. Once this time has elapsed, the appliance switches back to the previously selected fan setting.

Note: Using the remote control, you can switch on the intensive setting directly by pressing the >> button.

Switching off



Press the  button or the button for another fan setting.

Intensive mode is deactivated.


Run-on function

Switching on

The run-on function can be activated for any fan setting.

- 1 Select fan setting 1, 2, 3 or .
- 2 Press the  button.
The run-on time for all fan settings is six minutes. Once this time has elapsed, ventilation switches off automatically. If the lighting is switched on, it remains on once the run-on time has elapsed.

Switching off



Press the  button or the button for another fan setting.

The run-on function stops before the remaining run-on time elapses.

Interval ventilation

Switching on

With interval ventilation, the ventilation switches on automatically for six minutes every hour.


- 1 Press fan setting 1, 2 or 3.
- 2 Press the  button twice.
The  button and the button for the fan setting selected flash alternately. The interval ventilation is switched on.

Switching off

Press the  button.

The interval ventilation is switched off.

Saturation display

If the metal grease filters are saturated, the  button flashes.

If you have not yet done so, the metal grease filters should be cleaned now.

For instructions on how to clean the metal grease filters, please refer to the Cleaning and maintenance section.


Resetting the saturation indicator

Press the  button.

Lighting

The lighting can be switched on and off independently of the ventilation system.

Switching on or off

Press the  button.

Safety shut-off

For your safety, the appliance has a safety switch-off function. The lighting switches off after 12 hours and the fan after 4 hours if the appliance is not operated during this time. Exception: The fan is not switched off during the interval ventilation.

Cleaning and maintenance

⚠ Risk of burns!

The appliance becomes hot during operation. Allow the appliance to cool down before cleaning.

⚠ Risk of electric shock!

Penetrating moisture may result in an electric shock. Clean the appliance using a damp cloth only. Before cleaning, pull out the mains plug or switch off the circuit breaker in the fuse box.

⚠ Risk of electric shock!

Do not use any high-pressure cleaners or steam cleaners, which can result in an electric shock.

⚠ Risk of injury!

Risk of falling when working on the appliance. Use a stable stepladder.

⚠ Risk of injury!

Components inside the appliance may have sharp edges. Wear protective gloves.

Cleaning agents

To ensure that the different surfaces are not damaged by using the wrong cleaning agent, observe the information in the table. Do not use any of the following:

- Harsh or abrasive cleaning agents,
- Cleaning agents with a high alcohol content,
- Hard scouring pads or cleaning sponges,
- High-pressure cleaners or steam cleaners.

Wash new sponge cloths thoroughly before use.

Follow all instructions and warnings included with the cleaning agents.

Area	Cleaning agent
Stainless steel	<p>Hot soapy water: Clean with a dish cloth and then dry with a soft cloth.</p> <p>Clean stainless steel surfaces in the grind direction only.</p> <p>Special stainless steel cleaning products are available from our after-sales service or from specialist retailers. Apply a very thin layer of the cleaning product with a soft cloth.</p>
Painted surfaces	<p>Hot soapy water: Clean using a damp dish cloth and dry with a soft cloth/towel.</p> <p>Do not use any stainless steel cleaners.</p>
Aluminium and plastic	<p>Glass cleaner: Clean with a soft cloth.</p>

Area	Cleaning agent
Glass	<p>Glass cleaner: Clean with a soft cloth. Do not use a glass scraper.</p>
Controls	<p>Hot soapy water: Clean using a damp dish cloth and dry with a soft cloth/towel.</p> <p>Risk of electric shock caused by penetrating moisture.</p> <p>Risk of damage to the electronics from penetrating moisture. Never clean operating controls with a wet cloth.</p> <p>Do not use any stainless steel cleaners.</p>

Removing metal grease filter

⚠ Risk of injury!

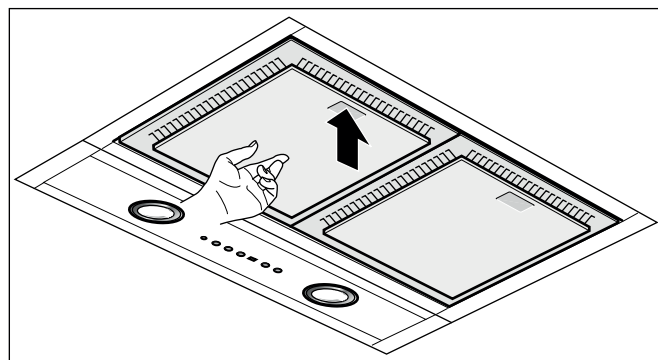
Risk of falling when working on the appliance. Use a stable stepladder.

⚠ Risk of injury!

Components inside the appliance may have sharp edges. Wear protective gloves.

- 1 Press the marking on the metal grease filter and remove the metal grease filter from the holder. While doing this, place your other hand under the metal grease filter

Note: Grease may accumulate in the bottom of the metal grease filter. Hold the metal grease filter level, otherwise grease will drip out.



- 2 Clean the metal grease filter.
- 3 Clean the appliance from the inside.

Cleaning the metal mesh grease filters

Risk of fire!

Grease deposits in the grease filter may catch fire.
Clean the grease filter at least every 2 months.
Never operate the appliance without the grease filter.

Notes

- Do not use any aggressive, acidic or alkaline cleaning agents.
- When cleaning the metal mesh grease filters, also clean the holder for the metal mesh grease filters in the appliance using a damp cloth.
- The metal mesh grease filters can be cleaned in the dishwasher or by hand.

In the dishwasher:

Note: Slight discolouration may occur if the metal grease filters are cleaned in the dishwasher. This has no effect on the function of the metal grease filters.

- Do not clean heavily soiled metal grease filters together with utensils.
- Remove any heavy soiling first by hand.
- Place the metal grease filters in the dishwasher leaving plenty of space around them. The metal grease filters must not be wedged in.

By hand:

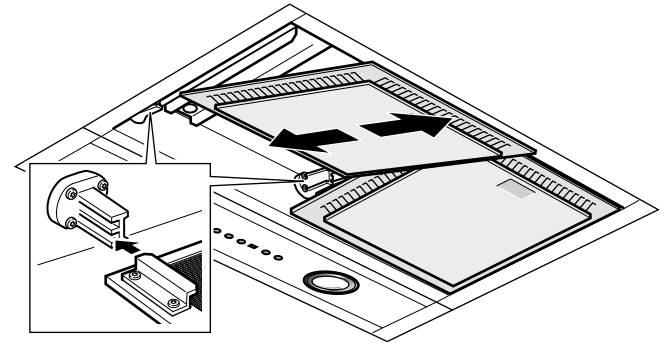
- Soak the metal grease filters in hot soapy water.
- Clean the filters with a brush and then rinse them thoroughly.
- Leave the metal grease filters to drain.

Note: You can use a special degreaser to remove stubborn dirt. This can be ordered via the online shop (product no. 00311297). Spray the dirty metal grease filters with the degreaser and leave it to work for up to five minutes. Then rinse thoroughly. Observe the instructions for use supplied with the cleaning product.

Installing the metal mesh grease filter

- 1 Install the metal grease filter and lock in place.

Note: When installing the metal grease filter, ensure that it is inserted correctly into the guide on both sides. Otherwise, the metal grease filter can fall and damage the cooktop.



- 2 Press the  button.
The saturation indicator is reset.

Changing the activated charcoal filter (only in circulating-air mode)

Risk of injury!

Risk of falling while changing filter. Use a stable stepladder.

In order to ensure adequate odour removal, you must replace the activated charcoal filter regularly.

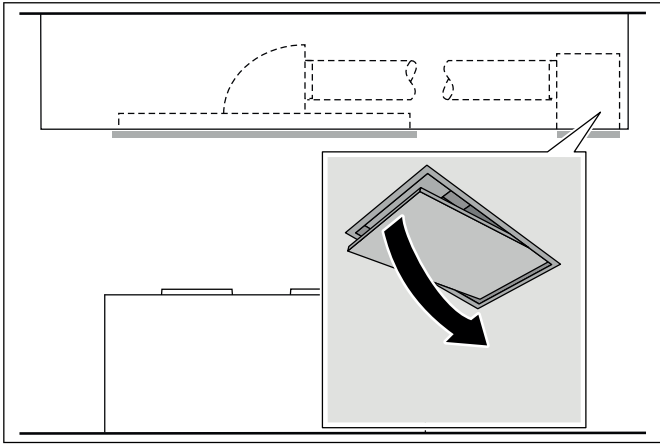
With normal levels of use (1 to 2 hours a day), the activated charcoal filter must be replaced at least every 12 months.

Notes

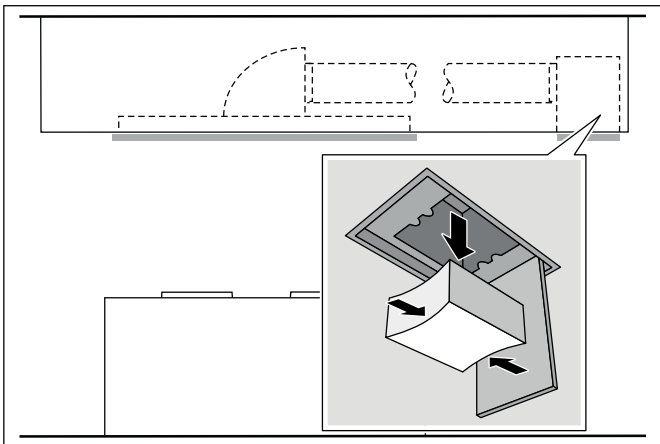
- Activated charcoal filters can be obtained through specialist retailers, from our after-sales service, or from the online shop with the order number AA200110. You need one activated charcoal filter (AA200110) per filter module.
- The activated charcoal filters cannot be cleaned or reactivated.
- Activated charcoal filters do not contain any harmful substances and can be disposed of with your normal household waste.

Follow the instructions below:

- 1 Open the flap.



- 2 Push the sides of the activated charcoal filter together and remove it.



- 3 Push the sides of the new activated charcoal filter together and insert it.
- 4 Close the flap.

Trouble shooting

Malfunctions often have simple explanations. Please read the following notes before calling the after-sales service.

Risk of electric shock!

Incorrect repairs are dangerous. Repairs may only be carried out and damaged power cables replaced by one of our trained after-sales technicians. If the appliance is defective, unplug the appliance from the mains or switch off the circuit breaker in the fuse box. Contact the after-sales service.


Risk of injury!

The light emitted by LED lights is very dazzling, and can damage the eyes (risk group 1). Do not look directly into the switched on LED lights for longer than 100 seconds.

LED lights

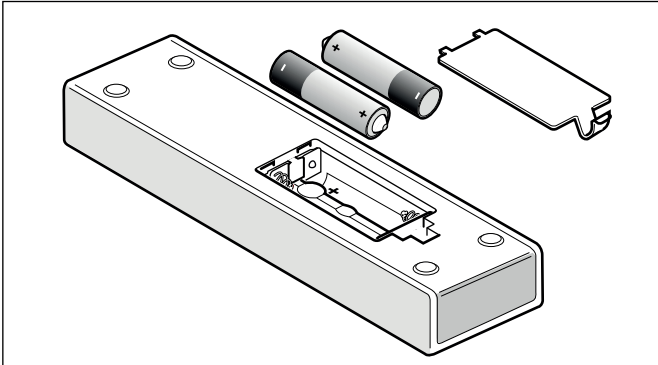
Defective LED lights must only be replaced by the manufacturer, their customer service department or a licensed technician (electrician).

Fault table

Disruption	Possible cause	Solution
The appliance does not work	The plug is not plugged into the mains	Connect the appliance to the electricity supply
	Power failure	Check whether other kitchen appliances are working
	Faulty fuse	Check in the fuse box to make sure that the fuse for the appliance is OK
The appliance is not working, all the buttons are flashing	The network-cable plug is not plugged into the mains	Check that the network cables of all the appliances are connected
	The circuit breaker is faulty	Look in the fuse box and check that the circuit breakers for all the appliances are in working order
	One of the components in the appliance has broken	Call the after-sales service
The appliance is not working	If the appliance is in operation for more than four hours, the safety switch-off function is activated	Switch the appliance on again
The button illumination does not work	The control unit is faulty	Call the after-sales service
The lighting is not working	The lighting is defective	Call the after-sales service
The  button flashes	The metal filter is saturated	Clean the filter, see the <i>Cleaning and maintenance</i> section
The remote control is not working	The batteries are flat	Replace the batteries; see section <i>Replacing the remote control batteries</i>

Replacing the batteries in the remote control

- 1 Press in the catch tappet and remove the cover.
- 2 Remove the batteries.
- 3 Correctly insert the new batteries (AAA/LR03/1.5 V).



- 4 Dispose of flat or faulty batteries according to local regulations.

Note: Do not dispose of batteries in general household waste.

After-sales service

Our after-sales service is there for you if your appliance needs to be repaired. We will always find an appropriate solution in order to avoid unnecessary visits by engineers.

When calling us, please give the product number (E no.) and the production number (FD no.) so that we can provide you with the correct advice. The rating plate bearing these numbers can be found on the appliance.

To save time, you can make a note of the number of your appliance and the telephone number of the after-sales service in the space below, should it be required.

E no.	FD no.
-------	--------

After-sales service 

Please note that a visit from an after-sales service engineer is not free of charge, even during the warranty period.

Please find the contact data of all countries in the enclosed customer service list.

To book an engineer visit and product advice

GB 0344 892 8988
Calls charged at local or mobile rate.

IE 01450 2655
0.03 € per minute at peak.
Off peak 0.0088 € per minute.

AU 1300 368 339

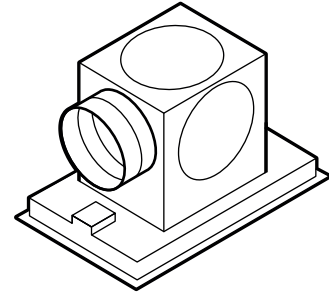
NZ 09 477 0492

Trust the expertise of the manufacturer, and rest assured that the repair will be carried out by trained service technicians using original spare parts for your domestic appliance.

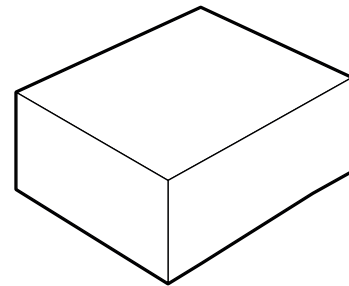
Accessory

Special accessories

Accessories	Order number
Air recirculation module for AC402/462/472/482	AA010810



Accessories	Order number
Activated charcoal filter for AC402/462/472/482	AA200110



Índice

Indicaciones de seguridad importantes	16
Protección del medio ambiente	19
Ahorro de energía	19
Eliminación de residuos respetuosa con el medio ambiente	19
Modos de funcionamiento	19
Funcionamiento en salida de aire al exterior	19
Funcionamiento con recirculación de aire	19
Manejar el aparato	20
Panel de mando	20
Mando a distancia	20
Ajustar el ventilador	20
Nivel intensivo	20
Función de marcha en inercia	21
Ventilación a intervalos	21
Indicador de saturación	21
Iluminación	21
Desconexión de seguridad	21
Limpieza y mantenimiento	22
¿Qué hacer en caso de avería?	25
Cambiar las pilas del mando a distancia	26
Servicio de atención al cliente	27
Accesorios	27

Encontrará más información sobre productos, accesorios, piezas de repuesto y servicios en internet: www.gaggenau.com y también en la tienda online: www.gaggenau.com/zz/store

⚠ Indicaciones de seguridad importantes

Leer con atención las siguientes instrucciones. Solo así se puede manejar el aparato de forma correcta y segura. Conservar las instrucciones de uso y montaje para utilizarlas más adelante o para posibles futuros compradores.

Solamente un montaje profesional conforme a las instrucciones de montaje puede garantizar un uso seguro del aparato. El instalador es responsable del funcionamiento perfecto en el lugar de instalación.

Este aparato ha sido diseñado para uso doméstico. Este aparato no puede usarse en exteriores. Vigilarlo mientras está funcionando. El fabricante no asume ninguna responsabilidad en caso de daños derivados de un uso indebido o un manejo incorrecto.

Este aparato está previsto para ser utilizado a una altura máxima de 2.000 metros sobre el nivel del mar.

Este aparato puede ser utilizado por niños a partir de 8 años y por personas con limitaciones físicas, sensoriales o psíquicas, o que carezcan de experiencia y conocimientos, siempre y cuando sea bajo la supervisión de una persona responsable de su seguridad o que le haya instruido en el uso correcto del aparato siendo consciente de los daños que se pudieran ocasionar.

No dejar que los niños jueguen con el aparato. La limpieza y el mantenimiento rutinario no deben encomendarse a los niños a menos que sean mayores de 15 años y lo hagan bajo supervisión.

Mantener a los niños menores de 8 años alejados del aparato y del cable de conexión.

Comprobar el aparato al sacarlo de su embalaje. El aparato no debe conectarse en caso de haber sufrido daños durante el transporte.

Este aparato no está previsto para el funcionamiento con un reloj temporizador externo o un mando a distancia.

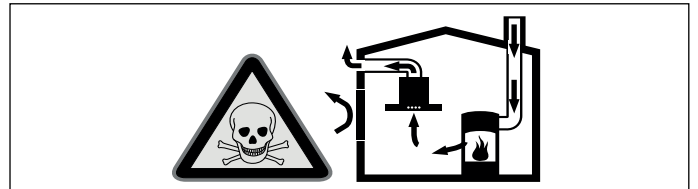
¡Peligro de asfixia!

El material de embalaje es peligroso para los niños. No dejar que los niños jueguen con el material de embalaje.

¡Peligro de muerte!

Los gases de combustión que se vuelven a aspirar pueden ocasionar intoxicaciones.

Garantizar una entrada de aire suficiente si el aparato se emplea en el modo de evacuación del aire al exterior junto con un equipo calefactor dependiente del aire del recinto de instalación.

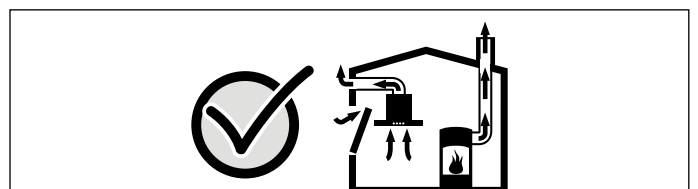


Los equipos calefactores que dependen del aire del recinto de instalación (p. ej., calefactores de gas, aceite, madera o carbón, calentadores de salida libre, calentadores de agua) adquieren aire de combustión del recinto de instalación y evacuan los gases de escape al exterior a través de un sistema extractor (p. ej., una chimenea).

En combinación con una ventilación de techo conectada se extrae aire de la cocina y de las habitaciones próximas; sin una entrada de aire suficiente se genera una depresión. Los gases tóxicos procedentes de la chimenea o del hueco de ventilación se vuelven a aspirar en las habitaciones.

- Por tanto, asegurarse de que siempre haya una entrada de aire suficiente.
- Un pasamuros de entrada/salida de aire no es garantía por sí solo del cumplimiento del valor límite.

A fin de garantizar un funcionamiento seguro, la depresión en el recinto de instalación de los equipos calefactores no debe superar 4 Pa (0,04 mbar). Esto se consigue si, mediante aberturas que no se pueden cerrar, p. ej., en puertas, ventanas, en combinación con un pasamuros de entrada/salida de aire o mediante otras medidas técnicas, se puede hacer recircular el aire necesario para la combustión.



Pedir siempre asesoramiento al técnico competente de su región, que estará en condiciones de evaluar todo el sistema de ventilación de su hogar y recomendarle las medidas adecuadas en materia de ventilación.

Si la ventilación de techo se utiliza exclusivamente en el modo con recirculación de aire, no hay limitaciones para el funcionamiento.

¡Peligro de incendio!

- Los depósitos de grasa del filtro de grasas pueden prenderse.

Los filtros de grasa deben limpiarse por lo menos cada 2 meses.

No usar nunca el aparato sin filtro de grasa.

- Los depósitos de grasa del filtro de grasas pueden prenderse. Nunca trabaje con una llama directa cerca del aparato (p. ej., flambear). Instalar el aparato cerca de un equipo calefactor para combustibles sólidos (p. ej., madera o carbón) solo si se dispone de una cubierta cerrada no desmontable. No deben saltar chispas.
- El aceite caliente y la grasa se inflaman con facilidad. Estar siempre pendiente del aceite caliente y de la grasa. No apagar nunca con agua un fuego. Apagar la zona de cocción. Sofocar con cuidado las llamas con una tapa, una tapa extintora u otro medio similar.
- Los fogones de gas en los que no se haya colocado ningún recipiente para cocinar encima, generan gran cantidad de calor durante su funcionamiento. Eso puede dañar o incendiar el aparato de ventilación situado encima. Utilizar los fogones de gas únicamente colocando encima recipientes para cocinar.
- Cuando se usan simultáneamente varios fogones de gas se genera mucho calor. El aparato de ventilación puede dañarse o incendiarse. El aparato de ventilación solo puede combinarse con fogones de gas que no superen una potencia total máxima de 18 kW. Al exceder la potencia total de 12 kW se deben tener en cuenta los reglamentos locales respecto a la ventilación del área, tamaño del área y combinación con aparatos de ventilación en el modo de aire de extracción o aire de circulación.

¡Peligro de quemaduras!

Las partes accesibles se calientan durante el funcionamiento. No tocar nunca las partes calientes. No dejar que los niños se acerquen.

¡Peligro de lesiones!

- Las piezas internas del aparato pueden tener bordes afilados. Usar guantes protectores.
- Peligro de caída al trabajar en el aparato. Utilizar una escalera plegable que sea segura. Escoger una escalera plegable adecuada a la altura de trabajo. Utilizar siempre la escalera plegable completamente abierta sobre una superficie plana. Comprobar que la barra separadora esté encajada. Apoyar siempre ambos pies en la escalera plegable, no subir demasiado alto ni estirar el cuerpo.

¡Peligro de descarga eléctrica!

- Un aparato defectuoso puede ocasionar una descarga eléctrica. No conectar nunca un aparato defectuoso. Desenchufar el aparato de la red o desconectar el interruptor automático del cuadro eléctrico. Avisar al Servicio de Asistencia Técnica.
- Las reparaciones inadecuadas son peligrosas. Las reparaciones y la sustitución de cables de conexión defectuosos solo pueden ser efectuadas por personal del Servicio de Asistencia Técnica debidamente instruido. Si el aparato está averiado, desenchufarlo de la red o desconectar el interruptor automático del cuadro eléctrico. Avisar al Servicio de Asistencia Técnica.
- No utilizar ni limpiadores de alta presión ni por chorro de vapor. La humedad interior puede provocar una descarga eléctrica.

Causas de daños

¡Atención!

Peligro de daños por corrosión Encender siempre el aparato cuando se vaya a cocinar con el fin de evitar la formación de agua condensada. El agua condensada puede conllevar daños por corrosión.

Limpiar de inmediato las bombillas defectuosas para evitar una sobrecarga en el resto.

Peligro de daños por humedad en el interior del sistema electrónico. No limpiar nunca los elementos de mando con un paño húmedo.

Daños en la superficie en caso de limpieza indebida. Limpiar las superficies de acero inoxidable siempre en la dirección del pulido. No utilizar limpiadores específicos para acero inoxidable para la limpieza de los elementos de mando.

Daños en la superficie en caso de utilizar productos de limpieza abrasivos o corrosivos. No utilizar nunca productos de limpieza abrasivos o corrosivos.

Peligro de daños por recirculación del vapor condensado. Instalar el canal de salida de aire del aparato ligeramente inclinado hacia abajo (1° de desnivel).

Protección del medio ambiente

Su nuevo aparato presenta una gran eficiencia energética. Aquí se ofrecen consejos sobre cómo manejar el aparato ahorrando más energía y cómo desecharlo correctamente.

Ahorro de energía

- Conectar la ventilación solo cuando sea necesario. Si se desea calentar brevemente un plato que no desprende un olor fuerte, también se puede dejar apagada la ventilación.
- Seleccionar un nivel de ventilación adecuado a cada circunstancia.
- Volver a apagar la ventilación tras la cocción.
- Limpiar regularmente el filtro antigrasa, el cual incrementa la eficacia de la ventilación.
- Apagar la iluminación del aparato si no se utiliza.

Eliminación de residuos respetuosa con el medio ambiente



Eliminar el embalaje de forma ecológica.



Este aparato está marcado con el símbolo de cumplimiento con la Directiva Europea 2012/19/UE relativa a los aparatos eléctricos y electrónicos usados (Residuos de aparatos eléctricos y electrónicos RAEE).

La directiva proporciona el marco general válido en todo el ámbito de la Unión Europea para la retirada y la reutilización de los residuos de los aparatos eléctricos y electrónicos.

Modos de funcionamiento

Este aparato puede utilizarse en funcionamiento con salida de aire o en recirculación.

Funcionamiento en salida de aire al exterior



El aire aspirado se depura a través de filtros antigrasa y se evacua al exterior mediante un sistema de conductos.

Nota: La salida de aire no debe transmitirse ni a una chimenea de humos o gases de escape en servicio ni a un hueco que sirva como ventilación de los recintos de instalación de equipos calefactores.

- Si la salida de aire se va a evacuar en una chimenea de humos o gases de escape que no está en servicio, será necesario contar previamente con la aprobación correspondiente del técnico competente de la zona.
- Si la salida de aire se evacua mediante la pared exterior, se deberá utilizar un pasamuros telescópico.

Funcionamiento con recirculación de aire



El aire aspirado se depura a través de filtros antigrasa y un filtro de carbono activo y se vuelve a suministrar a la cocina.

Nota: Para neutralizar los olores durante el funcionamiento con recirculación de aire debe montarse un filtro de carbono activo. Para conocer todas las posibilidades que ofrece el funcionamiento con recirculación de aire del aparato, remitirse a la documentación correspondiente o consultar en un comercio especializado. Los accesorios necesarios para tal fin pueden adquirirse en comercios especializados, en el servicio de asistencia técnica o en la tienda en línea.

Manejar el aparato

Nota: Encender la ventilación de techo al empezar a cocinar y apagarla unos minutos después de haber finalizado con las tareas de cocción. De esta manera se neutralizarán con gran efectividad los vapores que se desprenden al cocinar.

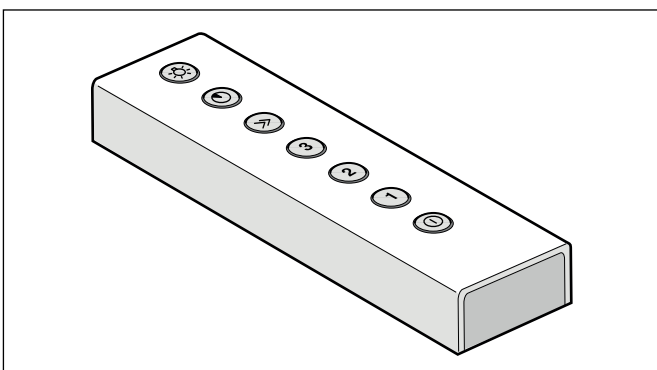
Panel de mando



- | | |
|----|--|
| ⓪ | Encender/apagar el ventilador |
| 1 | Activar el nivel de ventilación 1 |
| 2 | Activar el nivel de ventilación 2 |
| 3 | Activar el nivel de ventilación 3 |
| >> | Conectar el nivel intensivo |
| ☾ | Activar la marcha en inercia |
| ⦿ | Restablecer el indicador de saturación |
| 💡 | Conectar la iluminación |

Mando a distancia

Se podrán utilizar todas las funciones del aparato mediante el panel de mando y el mando a distancia excepto el restablecimiento del indicador de saturación.

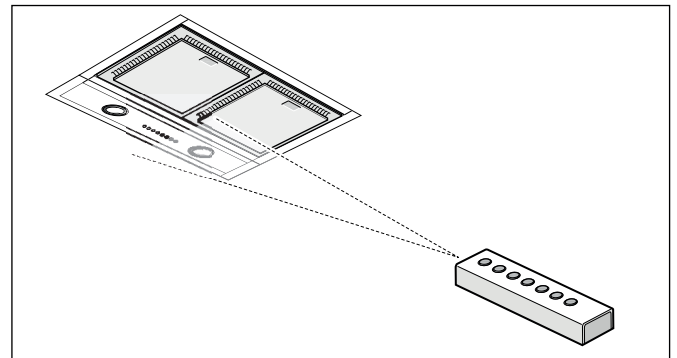


- | | |
|----|-----------------------------------|
| ⓪ | Apagar el ventilador |
| 1 | Activar el nivel de ventilación 1 |
| 2 | Activar el nivel de ventilación 2 |
| 3 | Activar el nivel de ventilación 3 |
| >> | Conectar el nivel intensivo |
| ☾ | Activar la marcha en inercia |
| 💡 | Conectar la iluminación |

Apuntar con el mando a distancia al panel de mando.

Notas

- Asegurarse de que pueda verse la ventilación de techo.
- En caso de que el aparato no responda al mando a una distancia corta, cambiar la pila del mando.



Ajustar el ventilador

Nota: Ajustar siempre la potencia del ventilador a la circunstancia actual. Si se forma mucho vapor, seleccionar también una potencia de ventilación alta.

Activación

- 1 Pulsar la tecla ⓪.
El ventilador se pone en marcha en el nivel 2.
- 2 Pulsar las teclas 1, 2, 3 o >> para ajustar el nivel de ventilador correspondiente.

Nota: Con el mando a distancia, el ventilador se puede conectar solo con la tecla 1, 2, 3 o >>. Con la tecla ⓪ se apaga el ventilador.

Desactivación

Pulsar la tecla ⓪.

Nivel intensivo

En caso de fuertes olores y vapores, utilizar el nivel intensivo.


Activación

- 1 Pulsar la tecla ⓪.
El ventilador se pone en marcha en el nivel 2.
- 2 Pulsar la tecla >>.
El nivel intensivo está activado.

Nota: La duración del nivel intensivo es de 6 minutos. Una vez transcurrido este tiempo, el aparato vuelve al nivel de ventilador seleccionado anteriormente.

Nota: El nivel intensivo puede activarse directamente pulsando la tecla >> del mando a distancia.

Desactivación



Pulsar la tecla  o la tecla de otro nivel de ventilador.

Se finaliza el nivel intensivo.

Función de marcha en inercia

Activación

Se puede activar la función de marcha en inercia para cada nivel de ventilador.

- 1 Seleccionar el nivel de ventilador 1, 2, 3 o .
- 2 Pulsar la tecla .
El tiempo de marcha en inercia es de 6 minutos en todos los niveles de ventilador. La ventilación se apagará automáticamente una vez finalizado ese tiempo. Si la iluminación está conectada, permanecerá así una vez que haya transcurrido el tiempo de marcha en inercia.

Desactivación



Pulsar la tecla  o la tecla de otro nivel de ventilador.

La función de marcha en inercia finaliza antes de que transcurra el tiempo restante de marcha en inercia.

Ventilación a intervalos

Activación

Durante la ventilación a intervalos, esta se conecta automáticamente durante 6 minutos cada hora.


- 1 Pulsar el nivel de ventilador 1, 2 o 3.
- 2 Pulsar dos veces la tecla .
La tecla  y la tecla del nivel de ventilador seleccionado parpadean alternadamente. La ventilación a intervalos está activada.

Desactivación

Pulsar la tecla .

La ventilación a intervalos está desactivada.


Indicador de saturación

Cuando los filtros de metal antigrasa se saturan, parpadea la tecla .

En ese momento se deben limpiar los filtros de metal antigrasa.

En el capítulo Limpieza y mantenimiento se explica cómo limpiar los filtros de metal antigrasa.

Restablecer el indicador de saturación

Pulsar la tecla .

Iluminación

La iluminación se puede encender y apagar de forma independiente de la ventilación.

Conexión o desconexión

Pulsar la tecla .

Desconexión de seguridad

Para proteger al usuario, el aparato tiene una función de desconexión de seguridad. Si no se interactúa con el aparato, la iluminación se apaga transcurridas 12 horas y, el ventilador, transcurridas 4 horas. Excepción: En el caso de la ventilación a intervalos, el ventilador no se apaga.

Limpeza y mantenimiento

¡Peligro de quemaduras!

El aparato se calienta durante el funcionamiento. Antes de proceder a la limpieza del aparato, dejar que se enfríe.

¡Peligro de descarga eléctrica!

Si penetra humedad, eso puede causar una descarga eléctrica. Limpiar el aparato solo con un paño húmedo. Antes de la limpieza hay que desconectar el enchufe o los fusibles de la caja de fusibles.

¡Peligro de descarga eléctrica!

No utilizar ni limpiadores de alta presión ni por chorro de vapor. La humedad interior puede provocar una descarga eléctrica.

¡Peligro de lesiones!

Peligro de caída al realizar trabajos en el aparato. Utilizar una escalera plegable que sea segura.

¡Peligro de lesiones!

Las piezas internas del aparato pueden tener bordes afilados. Usar guantes protectores.

Productos de limpieza

Consultar las indicaciones de la tabla a fin de no dañar las distintas superficies con productos de limpieza inapropiados. No utilizar lo siguiente:

- productos de limpieza abrasivos o corrosivos,
- productos de limpieza con un alto contenido alcohólico,
- estropajos o esponjas de fibra dura,
- limpiadores de alta presión o por chorro de vapor.

Lavar a fondo las bayetas nuevas antes de usarlas.

Respetar todas las instrucciones y avisos que incluyen los productos de limpieza.

Tipo	Productos de limpieza
Acero inoxidable	Agua caliente con un poco de jabón: Limpiar con una bayeta y secar con un paño suave. Limpiar las superficies de acero fino siempre en la dirección del pulido. Se pueden adquirir productos de limpieza de acero especiales en el Servicio de Atención al Cliente o en comercios especializados. Aplicar una capa muy fina del producto de limpieza con un paño suave.
Superficies barnizadas	Agua caliente con un poco de jabón: Limpiar con una bayeta húmeda y secar con un paño suave. No usar limpiadores para acero fino.
Aluminio y plástico	Limpiacristales: Limpiar con un paño suave.
Vidrio	Limpiacristales: Limpiar con un paño suave. No utilizar rasquetas de vidrio.
Mandos	Agua caliente con un poco de jabón: Limpiar con una bayeta húmeda y secar con un paño suave. Peligro de descarga eléctrica por humedad. Peligro de daños por humedad en el interior del sistema electrónico. No limpiar nunca los mandos con un paño húmedo. No usar limpiadores para acero fino.

Desmontar el filtro de metal antigrasa

¡Peligro de lesiones!

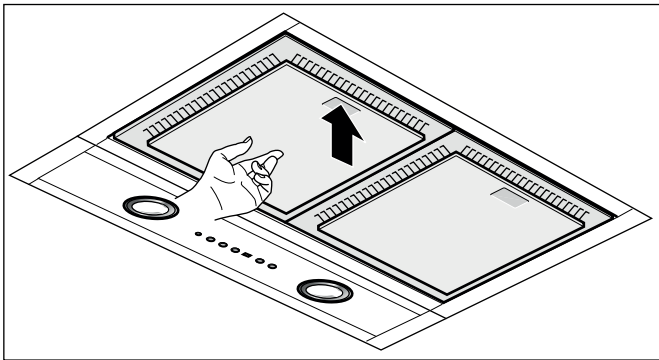
Peligro de caída al realizar trabajos en el aparato. Utilizar una escalera plegable que sea segura.

¡Peligro de lesiones!

Las piezas internas del aparato pueden tener bordes afilados. Usar guantes protectores.

- 1 Presionar la marca del filtro de metal antigrasa y extraerlo de su soporte. Agarrar por debajo el filtro de metal antigrasa con la otra mano

Nota: La grasa puede acumularse en la parte inferior del filtro de metal antigrasa. Sujetar el filtro de metal antigrasa en posición horizontal para evitar que gotee grasa.



- 2 Limpiar el filtro de metal antigrasa.
- 3 Limpiar el aparato desde dentro.

Limpiar el filtro de metal antigrasa

⚠ ¡Peligro de incendio!

Los depósitos de grasa del filtro de grasas pueden prenderse.

Los filtros de grasa deben limpiarse por lo menos cada 2 meses.

No usar nunca el aparato sin filtro de grasa.

Notas

- No utilizar productos de limpieza agresivos a base de ácidos o lejía.
- Al limpiar los filtros de metal antigrasa, limpiar también el soporte de los filtros de metal antigrasa en el aparato con un paño húmedo.
- Los filtros de metal antigrasa se pueden limpiar a mano o en el lavavajillas.

En el lavavajillas:

Nota: La limpieza en el lavavajillas podría conllevar ligeras decoloraciones. Esto no afecta al funcionamiento normal de los filtros de metal antigrasa.

- No lavar los filtros de metal antigrasa junto con el resto de la vajilla si están muy sucios.
- Eliminar primero a mano la suciedad más incrustada.
- Colocar debidamente los filtros de metal antigrasa en el lavavajillas. Los filtros de metal antigrasa no deben quedar aprisionados.

A mano:

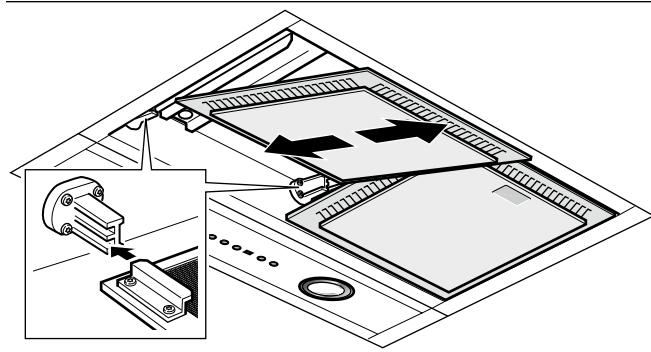
- Remojar los filtros de metal antigrasa en agua caliente con jabón.
- Utilizar un cepillo para la limpieza y a continuación enjuagar bien los filtros.
- Dejar escurrir los filtros de metal antigrasa.


Nota: En caso de suciedad fuertemente incrustada se puede utilizar un disolvente de grasa. Se puede solicitar a través de la tienda en línea (n.º art. 00311297). Pulverizar disolvente antigrasa sobre los filtros de metal antigrasa sucios y dejar actuar durante 5 min. A continuación, enjuagar con abundante agua. Tener en cuenta las indicaciones de uso del limpiador.

Montar el filtro de metal antigrasa

- 1 Insertar el filtro de metal antigrasa y encajar el bloqueo.

Nota: Durante la inserción, asegurarse de que el filtro de metal antigrasa quede bien insertado por ambos lados de la guía. De lo contrario, el filtro de metal antigrasa podría caerse y dañar la placa de cocción.



- 2 Pulsar la tecla . Se ha restablecido el indicador de saturación.

Sustituir el filtro de carbono activo (solo en funcionamiento con recirculación de aire)

⚠ ¡Peligro de lesiones!

Riesgo de sufrir caídas al cambiar el filtro. Utilizar una escalera plegable que sea segura.

Para garantizar la filtración de olores, cambiar regularmente el filtro de carbón activo.

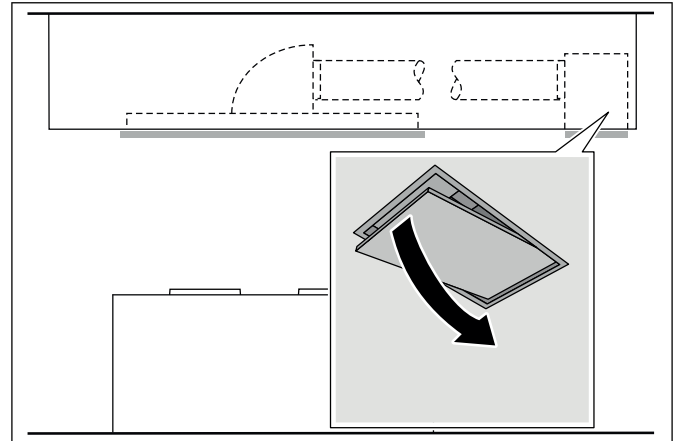
Con un funcionamiento normal (entre 1 y 2 horas al día), el filtro de carbón activo deberá sustituirse cada 12 meses como mínimo.

Notas

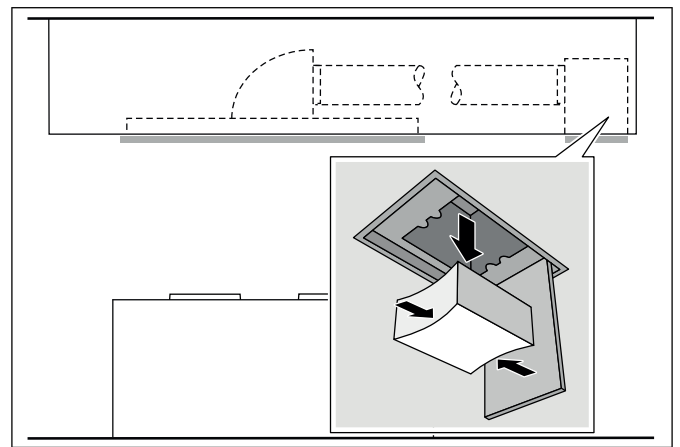
- Los filtros de carbón activo pueden conseguirse en comercios especializados, en el Servicio de Atención al Cliente o en la tienda online, con el número de pedido AA200110. Se necesita 1 filtro de carbón activo AA200110 por módulo de filtrado.
- Los filtros de carbón activo no deben limpiarse ni reactivarse.
- Los filtros de carbón activo no contienen sustancias contaminantes, por lo que se pueden desechar en la basura doméstica.

Se procede de la siguiente manera:

1 Abrir la tapa.



2 Presionar y extraer el filtro de carbón activo.



3 Presionar para colocar el nuevo filtro de carbón activo.

4 Cerrar la tapa.

¿Qué hacer en caso de avería?

Muchas veces usted mismo podrá eliminar las fallas que se presenten. Antes de llamar el servicio al cliente, tenga en cuenta las siguientes indicaciones.

¡Peligro de descarga eléctrica!

Las reparaciones inadecuadas son peligrosas. Las reparaciones y la sustitución de cables de conexión defectuosos solo pueden ser efectuadas por personal del Servicio de Asistencia Técnica debidamente instruido. Si el aparato está averiado, desenchufarlo de la red o desconectar el interruptor automático del cuadro eléctrico. Avisar al Servicio de Asistencia Técnica.


¡Peligro de lesiones!

La luz de las iluminaciones LED es muy deslumbrante y puede dañar los ojos (grupo de riesgo 1). No mirar más de 100 segundos directamente a las luces LED encendidas.

Luces LED

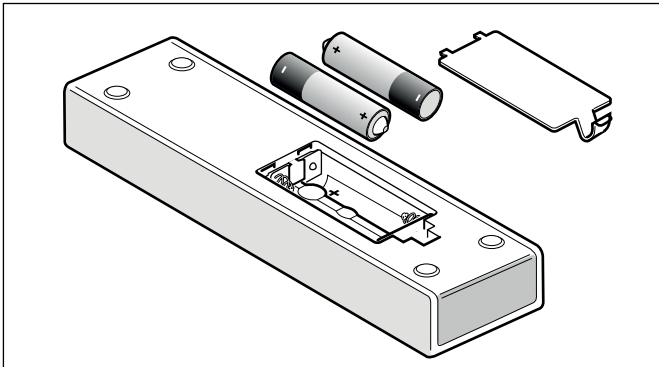
La sustitución de las luces LED debe encomendarse siempre al fabricante, al servicio de asistencia técnica o a profesionales autorizados (instaladores electricistas).

Tabla de averías

Anomalía	Posible causa	Solución
El aparato no funciona	El enchufe no está conectado a la red	Enchufar el aparato a la red eléctrica
	Corte de corriente	Comprobar si los demás electrodomésticos de cocina funcionan
	El fusible está defectuoso	Comprobar en la caja de fusibles si el fusible del aparato está correcto
El aparato no funciona, todas las teclas parpadean	El enchufe del cable de red no está conectado a la red	Comprobar conexión de cables de red para todos los aparatos
	El fusible está dañado	En la caja de fusibles, comprobar si los fusibles funcionan correctamente para todos los aparatos
	No funciona un componente del aparato	Avisar al Servicio de Asistencia Cliente
El aparato no funciona	El aparato ha funcionado durante más de 4 horas, se ha activado la desconexión de seguridad	Volver a conectar el aparato
La iluminación de las teclas no funciona	La unidad de control está estropeada	Avisar al Servicio de Atención al Cliente
La iluminación no funciona	La iluminación está defectuosa	Avisar al Servicio de Asistencia Cliente
La tecla  parpadea	El filtro de metal está saturado	Limpiar el filtro, ver el capítulo <i>Limpieza y mantenimiento</i>
No funciona el mando a distancia	Las pilas están vacías	Cambiar las pilas, ver el capítulo <i>Cambiar las pilas del mando a distancia</i>

Cambiar las pilas del mando a distancia

- 1 Presionar la pestaña y retirar la tapa.
- 2 Sacar las pilas.
- 3 Introducir pilas nuevas (de tipo AAA/LR03/1,5 V) en la posición correcta.



- 4 Desechar las pilas descargadas o defectuosas conforme a la normativa local.

Nota: No desechar las pilas junto con los residuos domésticos.

Servicio de atención al cliente

Nuestro Servicio de Asistencia Técnica se encuentra a su disposición siempre que necesite la reparación de su aparato. Nosotros encontraremos la solución adecuada, incluso para evitar desplazamientos innecesarios de los técnicos.

Indicar el número de producto (E) y el de fabricación (FD) para obtener un asesoramiento cualificado. La etiqueta de características con los correspondientes números se encuentra en el aparato.

A fin de evitarse molestias llegado el momento, le recomendamos anotar los datos de su aparato, así como el número de teléfono del Servicio de Asistencia Técnica en el siguiente apartado.

N.º de producto (E)	N.º de fabricación (FD)
---------------------	-------------------------

**Servicio de Asistencia
Técnica** ☎

Recuerde que, en caso de manejo incorrecto, la asistencia del personal del Servicio de Asistencia Técnica no es gratuita, incluso aunque esté dentro del período de garantía.

Las señas de las delegaciones internacionales figuran en la lista adjunta de centros y delegaciones del Servicio de Asistencia Técnica Oficial.

Solicitud de reparación y asesoramiento en caso de averías

E 902 30 30 44

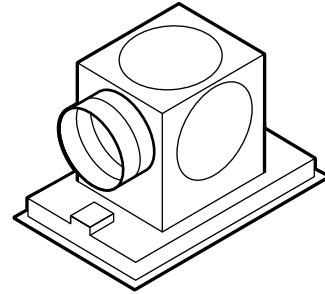
Confíe en la competencia del fabricante. De esa forma se asegura de que la reparación se lleva a cabo por personal técnico debidamente instruido, equipado con las piezas originales y de repuesto necesarias para su aparato.

Accesorios

Accesorios especiales

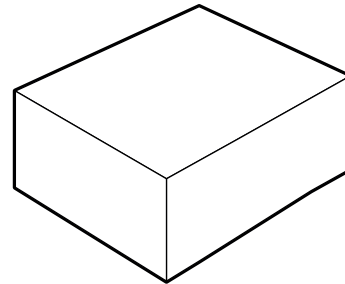
Accesorios	Número de pedido
------------	------------------

Módulo de recirculación de aire para modelos AC402/462/472/482	AA010810
--	----------



Accesorios	Número de pedido
------------	------------------

Filtro de carbón activo para modelos AC402/462/472/482	AA200110
--	----------



Índice

Instruções de segurança importantes	29
Protecção do meio ambiente	32
Poupar energia	32
Eliminação ecológica	32
Tipos de funcionamento	32
Função com exaustão de ar	32
Modo de funcionamento da circulação de ar	32
Operar o aparelho	33
Painel de comandos	33
Telecomando	33
Regular o ventilador	33
Fase intensiva	33
Função de paragem	34
Ventilação intermitente	34
Indicação de saturação	34
Iluminação	34
Bloqueio de segurança	34
Limpeza e manutenção	35
Anomalias, o que fazer?	38
Substituir as pilhas do telecomando	39
Serviço de Apoio ao Cliente	39
Acessórios	39

Obtenha mais informações relativas a produtos, acessórios, peças sobresselentes e Assistência Técnica na Internet: www.gaggenau.com e na loja Online: www.gaggenau.com/zz/store

⚠ Instruções de segurança importantes

Leia atentamente o presente manual. Só assim poderá utilizar o seu aparelho de forma segura e correcta. Guarde as instruções de utilização e montagem para consultas futuras ou para futuros utilizadores.

Só com uma montagem especializada e em conformidade com as instruções de montagem, pode ser garantida a segurança durante a utilização. O instalador é responsável pelo funcionamento correcto no local de montagem.

Este aparelho foi concebido apenas para uso doméstico. O aparelho não foi concebido para o funcionamento no exterior. Vigie o aparelho durante o funcionamento. O fabricante não é responsável por danos provocados pela utilização inadequada ou por manuseamento errado.

O aparelho foi concebido para ser utilizado até a uma altitude de 2000 metros acima do nível do mar, no máximo.

Este aparelho pode ser usado por crianças com mais de 8 anos e por pessoas com limitações físicas, sensoriais ou mentais ou com pouca experiência ou conhecimentos, se estiverem sob vigilância de uma pessoa responsável pela sua segurança ou tiverem sido instruídas acerca da utilização segura do aparelho e tiverem compreendido os perigos decorrentes da sua utilização.

As crianças não devem brincar com o aparelho. As tarefas de limpeza e manutenção por parte do utilizador não devem ser efectuadas por crianças, a não ser que tenham mais de 15 anos e estejam sob vigilância.

As crianças menores de 8 anos devem manter-se afastadas do aparelho e do cabo de ligação. Examine o aparelho depois de o desembalar. Se forem detectados danos de transporte, não ligue o aparelho.

Este aparelho não foi previsto para ser utilizado com um temporizador externo ou um telecomando externo.

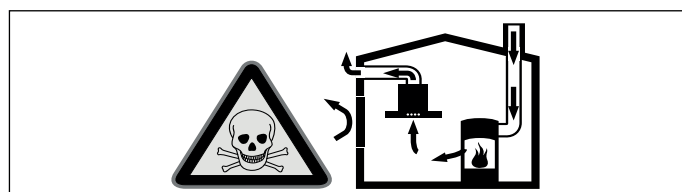
Perigo de asfixia!

O material de embalagem é perigoso para as crianças. Nunca deixe as crianças brincarem com o material de embalagem.

Perigo de morte!

Os gases de combustão aspirados podem levar a intoxicação.

Certifique-se de que há sempre reposição de ar fresco suficiente quando o aparelho é utilizado no modo de exaustão em conjunto com equipamentos de aquecimento que consomem o ar ambiente.

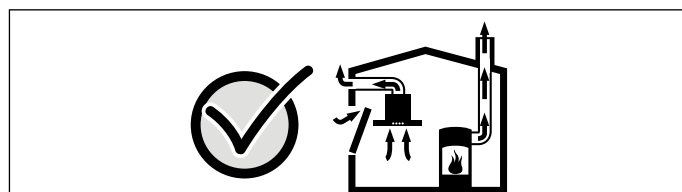


Equipamentos de aquecimento que dependem do ar ambiente (p. ex. sistemas de aquecimento a gás, óleo, lenha ou carvão, esquentadores, cilindros) utilizam o ar do espaço de montagem na combustão e transportam os gases de combustão para o exterior através do sistema de saída de gases de uma unidade de combustão (p. ex. uma chaminé).

Quando a ventilação do teto está ligada, é retirado ar ambiente à cozinha e aos espaços adjacentes - sem ar suficiente é criada uma depressão e os gases venenosos da chaminé ou da conduta de extração são aspirados novamente para os espaços habitacionais.

- Por isso, tem que existir sempre uma reposição de ar fresco suficiente no local da instalação.
- Uma caixa de entrada/exaustão de ar, só por si, não garante o cumprimento do valor limite.

Um funcionamento sem perigos só é possível se a depressão no espaço de instalação do equipamento de aquecimento não ultrapassar os 4 Pa (0,04 mbar). Isto pode ser conseguido se o ar necessário para a combustão puder ser repostado através de aberturas que não fechem (p. ex., portas, janelas), em combinação com uma caixa de entrada/exaustão de ar ou outras medidas técnicas.



Consulte sempre a entidade responsável para avaliar a interligação da ventilação de toda a casa e sugerir as medidas adequadas de ventilação.

Se a ventilação do teto funcionar exclusivamente em circulação de ar, não existe qualquer limitação na sua utilização.

Perigo de incêndio!

- A gordura acumulada no filtro pode incendiar-se.
Limpar o filtro de gorduras pelo menos de 2 em 2 meses.
Nunca utilizar o aparelho sem filtro de gorduras.
- A gordura acumulada no filtro pode incendiar-se. Nunca trabalhe com uma chama aberta perto do aparelho (p. ex. flambear). Instalar o aparelho perto de um fogão para combustíveis sólidos (p.ex. madeira ou carvão), somente se existir no local uma cobertura fechada e não retirável. Não pode haver fagulhas a voar.
- O óleo e a gordura quentes incendeiam-se rapidamente. Nunca deixe óleo ou gordura quentes sem vigilância. Nunca apague fogo com água. Desligue a zona de cozinhar. Abafe as chamas com uma tampa, manta de amianto ou um objecto equivalente.
- As zonas de cozinhar a gás que não tenham louça para cozinhar colocada em cima ficam muito quentes durante o funcionamento. Um aparelho de ventilação montado por cima pode ficar danificado ou incendiar-se. As zonas de cozinhar a gás devem apenas funcionar com louça para cozinhar colocada em cima.
- Quando são utilizados vários bicos a gás em simultâneo, é produzido grande calor. O equipamento de ventilação pode ser danificado ou incendiar-se. O equipamento de ventilação só pode ser combinado com zonas de cozinhar a gás que não excedam uma potência total máxima de 18 kW. Caso seja excedida a potência total de 12 kW, devem respeitar-se as normas locais em matéria de ventilação e dimensão de espaços e ponderar-se uma combinação com aparelhos de ventilação por aspiração ou por recirculação.

Perigo de queimaduras!

As peças que se encontram acessíveis ficam quentes durante o funcionamento do aparelho. Nunca toque nas peças quentes. Manter fora do alcance das crianças.

Perigo de ferimentos!

- Os componentes interiores do aparelho podem ter arestas vivas. Use luvas de proteção.
- Perigo de queda durante a realização de trabalhos no aparelho. Utilize uma escada de mão estável. Escolha uma escada de mão adequada à altura de trabalho. Utilize a escada de mão sempre completamente aberta sobre uma base plana. Certifique-se de que a proteção contra abertura está encaixada. Coloque sempre os dois pés na escada de mão, não suba em demasia nem se incline para fora da escada.

Perigo de choque eléctrico!

- Um aparelho avariado pode causar choques eléctricos. Nunca ligue um aparelho avariado. Puxe a ficha da tomada ou desligue o disjuntor no quadro eléctrico. Contacte o Serviço de Assistência Técnica.
- As reparações indevidas são perigosas. As reparações e substituições de cabos danificados só podem ser efectuadas por técnicos especializados do Serviço de Assistência Técnica. Se o aparelho estiver avariado, puxe a ficha da tomada ou desligue o disjuntor no quadro eléctrico. Contacte o Serviço de Assistência Técnica.
- A humidade que se infiltra no aparelho pode dar origem a um choque eléctrico. Não utilize aparelhos de limpeza a alta pressão ou de limpeza a vapor.

Causas de danos

Atenção!

Perigo de danificação devido a danos provocados por corrosão. Ligar sempre o aparelho quando se cozinha, para evitar a formação de água de condensação. A água de condensação pode provocar danos de corrosão.

Substituir sempre imediatamente as lâmpadas defeituosas, para evitar uma sobrecarga das lâmpadas restantes.

Perigo de danificação devido a humidade que penetra no sistema eletrónico. Nunca limpar os elementos de comando com um pano húmido.

Danos na superfície devido a uma limpeza incorreta. Limpar as superfícies de aço inoxidável apenas no sentido do polimento. Não usar produto de limpeza para aço inoxidável nos elementos de comando.

Danos na superfície devido a produtos de limpeza agressivos ou abrasivos. Nunca usar produtos de limpeza agressivos ou abrasivos.

Perigo de danificação devido ao retorno de condensação. Instalar a conduta de ar com ligeira queda a partir do equipamento (1ª inclinação).

Protecção do meio ambiente

O seu novo aparelho é especialmente eficiente do ponto de vista energético. Nesta secção encontrará conselhos para poupar ainda mais energia ao utilizar o seu aparelho e para o eliminar de forma adequada.

Poupar energia

- Ligue a ventilação apenas quando tal for necessário. Caso deseje apenas aquecer algo que não emita odores fortes, pode manter a ventilação desligada.
- Selecione um nível do ventilador adequado à situação.
- Desligue novamente a ventilação depois de cozinhar.
- Limpe regularmente o filtro de gordura, pois melhora a eficácia de ventilação.
- Desligue a iluminação do aparelho se este não estiver a ser utilizado.

Eliminação ecológica

Elimine a embalagem de forma ecológica.



Este aparelho está marcado em conformidade com a Directiva 2012/19/UE relativa aos resíduos de equipamentos eléctricos e electrónicos (waste electrical and electronic equipment - WEEE).

A directiva estabelece o quadro para a criação de um sistema de recolha e valorização dos equipamentos usados válido em todos os Estados Membros da União Europeia.

Tipos de funcionamento

Este aparelho pode ser utilizado em modo de exaustão ou de recirculação de ar.

Função com exaustão de ar



O ar aspirado é limpo na sua passagem pelo filtro de gordura e encaminhado para o exterior através de um sistema de tubagem.

Nota: O ar evacuado não pode ser encaminhado por uma chaminé de exaustão de fumos ou de gases queimados em funcionamento, nem por uma caixa de ar que sirva de ventilação de locais com lareiras instaladas.

- Caso o ar evacuado tenha de ser encaminhado por uma chaminé de exaustão de fumos ou de gases queimados que não esteja em funcionamento, é necessária uma autorização da entidade supervisora da instalação dos aparelhos de queima.
- Se o ar evacuado for encaminhado através da parede exterior, deve ser utilizada uma caixa mural telescópica.

Modo de funcionamento da circulação de ar



O ar aspirado é limpo através dos filtros de gordura e um filtro de carvão ativado, e é novamente conduzido para a cozinha.

Nota: Para reter os odores no modo de funcionamento da circulação de ar, tem de montar um filtro de carvão ativado. Consulte os prospectos ou dirija-se ao seu retalhista especializado, para se informar acerca das diferentes possibilidades de operar o aparelho no modo de funcionamento da circulação de ar. Pode obter os acessórios necessários para o efeito no comércio especializado, no serviço de assistência ou na loja online.

Operar o aparelho

Nota: Ligue a ventilação do teto no início da cozedura e desligue-o alguns minutos depois da cozedura terminar. O vapor da cozinha é, desta forma, eliminado com maior eficácia.

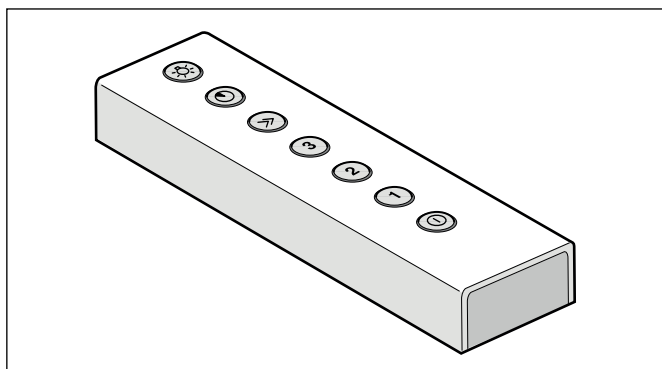
Painel de comandos



⓪	Ligar/desligar o ventilador
1	Ligar o nível 1 do ventilador
2	Ligar o nível 2 do ventilador
3	Ligar o nível 3 do ventilador
⏏	Ligar o nível intensivo
⏸	Ligar a paragem do ventilador
⦿	Repor a indicação de saturação
💡	Ligar a iluminação

Telecomando

Excetuando a reposição da indicação de saturação, pode utilizar todas as funções do aparelho através do painel de comandos e do telecomando.

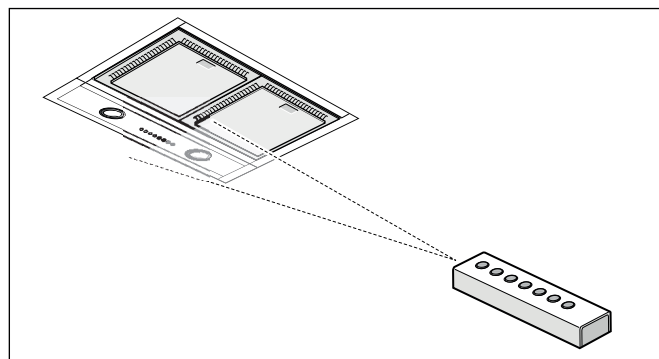


⓪	Ligar o ventilador
1	Ligar o nível 1 do ventilador
2	Ligar o nível 2 do ventilador
3	Ligar o nível 3 do ventilador
⏏	Ligar o nível intensivo
⏸	Ligar a paragem do ventilador
💡	Ligar a iluminação

Aponte o telecomando para o painel de comandos.

Notas

- Certifique-se de que existe contacto visual com a ventilação do teto.
- Se o aparelho não reagir apesar da distância reduzida para o telecomando, substitua a pilha do telecomando.



Regular o ventilador

Nota: Adapte a potência do ventilador sempre às condições atuais. No caso de elevada formação de vapores, selecione uma fase de ventilação mais elevada.

Ligar

- 1 Prima a tecla ⓪.
O ventilador começa a funcionar no nível 2.
- 2 Prima a tecla 1, 2, 3 ou ⏏ para regular o nível do ventilador correspondente.

Nota: Com o comando, só pode ligar o ventilador com as teclas 1, 2, 3 ou ⏏. A tecla ⓪ permite desligar o ventilador.

Desligar

Prima a tecla ⓪.

Fase intensiva

No caso de formação de odores e de vapores particularmente fortes, deve ser utilizada a fase intensiva.

Ligar

- 1 Prima a tecla ⓪.
O ventilador começa a funcionar no nível 2.
- 2 Prima a tecla ⏏.
O nível intensivo está ativado.

Nota: O nível intensivo dura 6 minutos. Decorrido este tempo, o aparelho comuta para o nível do ventilador previamente regulado.

Nota: Pode ligar o nível intensivo diretamente com a tecla ⏏ do telecomando.

Desligar

Prima a tecla ① ou a tecla de um outro nível do ventilador.

O nível intensivo é concluído.

Função de paragem

Ligar

Pode ativar a função de paragem do ventilador para cada nível do mesmo.

- 1 Seleccione o nível 1, 2, 3 ou >> do ventilador.
- 2 Prima a tecla ⏸.
O tempo de funcionamento por inércia é de 6 minutos para todos os níveis do ventilador. Decorrido esse período, a ventilação desliga-se automaticamente. Se a iluminação estiver ligada, ela permanece ligada depois de decorrido o tempo de funcionamento por inércia.

Desligar

Prima a tecla ⏸ ou a tecla de um outro nível do ventilador.

A função de paragem é concluída antes de decorrido o restante tempo de funcionamento por inércia.

Ventilação intermitente

Ligar

Na ventilação intermitente, a ventilação liga-se automaticamente durante 6 minutos de hora em hora.

- 1 Prima o nível 1, 2 ou 3 do ventilador.
- 2 Prima a tecla ⏸ duas vezes.
A tecla ⏸ e a tecla do nível do ventilador seleccionado piscam alternadamente. A ventilação intermitente está ligada.

Desligar

Prima a tecla ①.

A ventilação intermitente está desligada.

Indicação de saturação

Quando o filtro metálico de gorduras está saturado, a tecla ⦿ pisca.

Neste momento, deve proceder-se à limpeza dos filtros metálicos de gorduras.

Para saber como limpar os filtros metálicos de gorduras, consulte o capítulo Limpeza e manutenção.

Repor a indicação de saturação

Prima a tecla ⦿.

Iluminação

A iluminação pode ser ligada ou desligada, independentemente da ventilação.

Ligar ou desligar

Prima a tecla ☞.

Bloqueio de segurança

Para sua proteção, o aparelho está equipado com uma desativação de segurança. A iluminação desliga-se após 12 horas e o ventilador após 4 horas, caso o aparelho não seja utilizado durante esse período. Exceção: com ventilação intermitente o ventilador não se desliga.

Limpeza e manutenção

Perigo de queimaduras!

O aparelho aquece durante o funcionamento. Deixe o aparelho arrefecer antes de realizar a limpeza.

Perigo de choque eléctrico!

A penetração de humidade pode causar choque eléctrico. Limpar o aparelho apenas com um pano húmido. Antes da limpeza, retire a ficha da tomada ou o fusível da caixa de fusíveis.

Perigo de choque eléctrico!

A humidade que se infiltra no aparelho pode dar origem a um choque eléctrico. Não utilize aparelhos de limpeza a alta pressão ou de limpeza a vapor.

Perigo de ferimentos!

Perigo de queda durante a realização de trabalhos no aparelho. Utilizar uma escada de mão estável.

Perigo de ferimentos!

Os componentes interiores do aparelho podem ter arestas vivas. Use luvas de protecção.

Produtos de limpeza

Para que as diferentes superfícies não sejam danificadas por produtos de limpeza errados, tenha em atenção os dados constantes da tabela. Não utilize

- produtos de limpeza agressivos ou abrasivos,
- produtos de limpeza com elevado teor de álcool,
- esfregões de palha de aço ou esponjas abrasivas,
- aparelhos de limpeza a alta pressão ou de limpeza a vapor.

Lave bem os panos de esponja novos, antes de os utilizar.

Tenha em atenção todas as instruções e advertências que acompanham os produtos de limpeza.

Zona	Produto de limpeza
Aço inox	Solução de água quente e detergente: Limpe com um pano multiusos e seque com um pano macio. Limpar as superfícies de aço inoxidável apenas no sentido do polimento. Através da assistência técnica ou numa loja especializada podem ser adquiridos produtos de limpeza especiais para aço inoxidável. Aplique uma camada fina do produto de limpeza com um pano macio.
Superfícies lacadas	Solução quente à base de detergente: Limpe com um pano multiusos húmido e seque com um pano macio. Não utilize produtos de limpeza para aço inoxidável.
Alumínio e plástico	Limpa-vidros: Limpe com um pano macio.
Vidro	Limpa-vidros: Limpe com um pano macio. Não utilize raspadores de vidros.
Elementos de comando	Solução quente à base de detergente: Limpe com um pano multiusos húmido e seque com um pano macio. Perigo de choque eléctrico devido à entrada de umidade. Perigo de danificação do sistema electrónico devido à entrada de umidade. Nunca limpe os elementos de comando com um pano molhado. Não utilize produtos de limpeza para aço inoxidável.

Desmontar o filtro metálico de gorduras

⚠ Perigo de ferimentos!

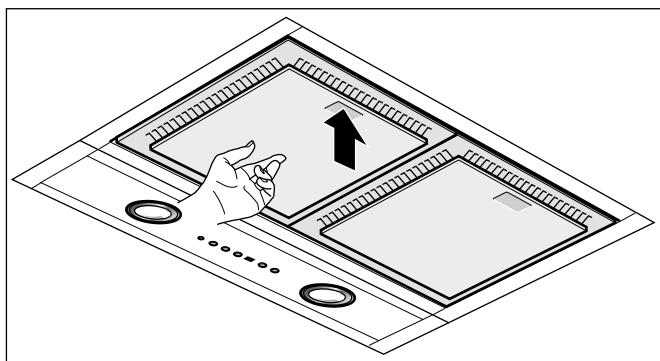
Perigo de queda durante a realização de trabalhos no aparelho. Utilizar uma escada de mão estável.

⚠ Perigo de ferimentos!

Os componentes interiores do aparelho podem ter arestas vivas. Use luvas de proteção.

- 1 Pressione a marcação do filtro metálico de gorduras e retire-o do dispositivo de fixação. Com a outra mão, segure o filtro metálico de gorduras por baixo.

Nota: Pode acumular-se gordura em baixo no filtro metálico de gorduras. Não manter o filtro metálico de gorduras inclinado, para evitar o gotejar de gordura.



- 2 Limpar os filtros metálicos de gordura.
- 3 Limpe o aparelho por dentro.

Limpeza dos filtros metálicos de gorduras

⚠ Perigo de incêndio!

A gordura acumulada no filtro pode incendiar-se. **Limpar o filtro de gorduras pelo menos de 2 em 2 meses.**

Nunca utilizar o aparelho sem filtro de gorduras.

Notas

- Evitar produtos de limpeza agressivos, com teor de acidez ou de lixívia.
- Na limpeza dos filtros metálicos de gorduras, limpar também o seu dispositivo de fixação no aparelho com um pano húmido.
- Os filtros metálicos de gorduras podem ser lavados na máquina de lavar loiça ou manualmente.

Na máquina de lavar louça:

Nota: Durante a limpeza na máquina de lavar louça, podem ocorrer ligeiras alterações de cor. Isso não influencia o funcionamento dos filtros metálicos de gorduras.

- Não limpe filtros metálicos de gorduras bastante sujos juntamente com a louça.
- Remova previamente a sujidade forte à mão.
- Coloque os filtros metálicos de gorduras de modo folgado na máquina de lavar louça. Os filtros metálicos de gorduras não podem ficar presos.

À mão:

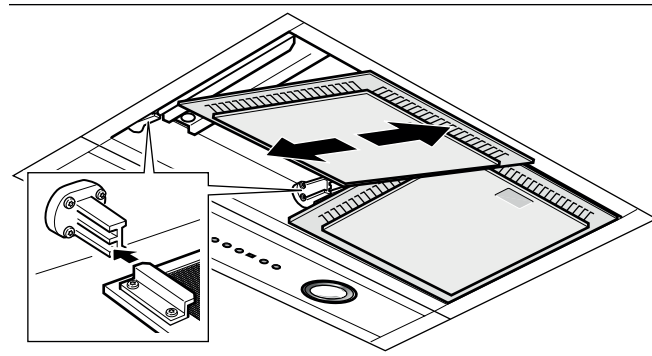
- Coloque os filtros metálicos de gorduras numa solução quente à base de detergente.
- Para limpar, utilize uma escova e, em seguida, enxague bem os filtros.
- Deixe os filtros metálicos de gorduras secar.

Nota: No caso de sujidade grosseira, pode utilizar um desengordurante especial. Este pode ser encomendado através da loja online (n.º artigo 00311297). Pulverize os filtros metálicos de gorduras sujos com o desengordurante e deixe-o atuar até 5 minutos. Depois disso, lave minuciosamente. Tenha também em atenção as indicações de aplicação do produto de limpeza.

Montar o filtro metálico de gorduras

- 1 Coloque o filtro metálico de gorduras e encaixe o bloqueio.

Nota: Ao colocar, certifique-se de que o filtro metálico de gorduras está corretamente colocado na guia, de ambos os lados. Caso contrário, o filtro metálico de gorduras pode cair e danificar a placa de cozinhar.



- 2 Prima a tecla . A indicação de saturação foi reposta.

Mudar o filtro de carvão ativo (só para funcionamento com recirculação de ar)

Perigo de ferimentos!

Perigo de queda durante a substituição do filtro. Utilize um escadote estável.

Para garantir a retenção de odores, necessita de trocar o filtro de carvão ativo com regularidade.

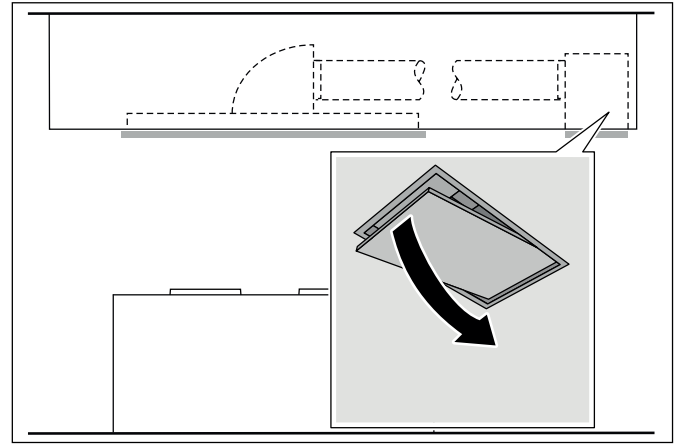
No caso de uma utilização normal (1 a 2 horas por dia), o filtro de carvão ativo deve ser substituído, o mais tardar, após 12 meses.

Notas

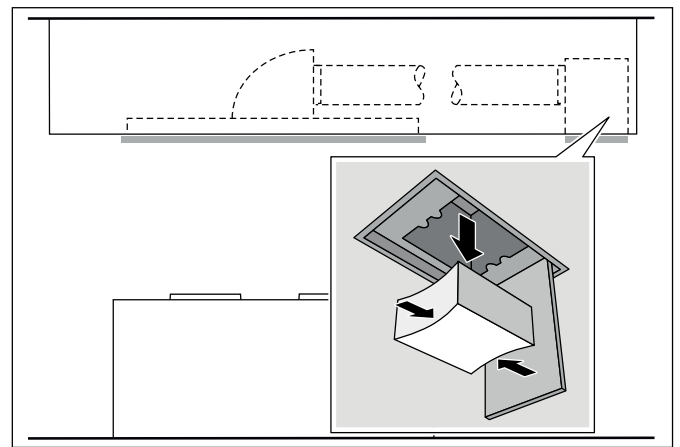
- Poderá adquirir os filtros de carvão ativo no comércio especializado, junto da Assistência Técnica ou na loja online, com a referência AA200110. Necessita de 1 filtro de carvão ativo AA200110 para cada módulo de filtragem.
- Os filtros de carvão ativo não podem ser limpos ou ativados novamente.
- Os filtros de carvão ativo não contêm substâncias nocivas e podem ser eliminados juntamente com o lixo doméstico.

Como proceder

1 Abra a tampa.



2 Pressione e remova o filtro de carvão ativo.



3 Pressione e insira o novo filtro de carvão ativo.

4 Feche a tampa.

Anomalias, o que fazer?

Muitas vezes, é fácil reparar as falhas sem a ajuda de terceiros. Observe as seguintes indicações antes de contactar o Serviço de Apoio ao Cliente.

Perigo de choque eléctrico!

As reparações indevidas são perigosas. As reparações e substituições de cabos danificados só podem ser efectuadas por técnicos especializados do Serviço de Assistência Técnica. Se o aparelho estiver avariado, puxe a ficha da tomada ou desligue o disjuntor no quadro eléctrico. Contacte o Serviço de Assistência Técnica.


Perigo de ferimentos!

A luz dos LED de iluminação é muito agressiva e pode provocar danos oculares (grupo de risco 1). Não olhe diretamente para as luzes LED acesas durante mais de 100 segundos.

Lâmpadas LED

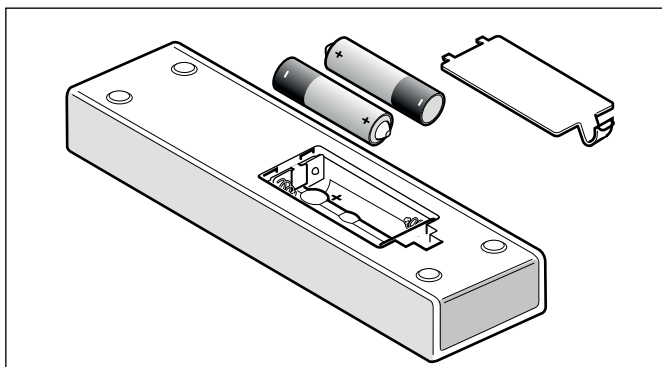
As lâmpadas LED avariadas só podem ser substituídas pelo fabricante, o respetivo serviço de assistência ou um técnico do concessionário (eletricista).

Tabela de anomalias

Falha	Possível causa	Solução
O aparelho não funciona	A ficha não está ligada à corrente	Ligue o aparelho à corrente elétrica
	Falha de corrente	Verifique se os outros eletrodomésticos funcionam
	Falha do fusível	Verifique na caixa de fusíveis se o fusível correspondente ao aparelho não tem nenhum problema
O aparelho não funciona, todas as teclas piscam	A ficha do cabo de rede não está ligada à corrente	Verifique se os cabos de rede de todos os aparelhos estão ligados
	Falha do fusível	Verifique na caixa de fusíveis se os fusíveis correspondentes a todos os aparelhos estão em boas condições
	Um componente do aparelho está avariado	Contacte a assistência técnica
O aparelho não funciona	O aparelho está em funcionamento durante mais de 4 horas, a desativação de segurança é ativada	Voltar a ligar o aparelho
A iluminação do teclado não funciona	Falha da unidade de comando	Contacte a assistência técnica
A iluminação não funciona	A iluminação apresenta anomalia	Contactar a assistência técnica
A tecla  pisca	O filtro metálico está saturado	Limpe o filtro, consulte o capítulo <i>Limpeza e manutenção</i>
O telecomando não funciona	As baterias estão descarregadas	Substitua as pilhas, consulte o capítulo <i>Substituir as pilhas do telecomando</i>

Substituir as pilhas do telecomando

- 1 Pressione a lingueta de bloqueio para dentro e retire a tampa.
- 2 Retire as pilhas.
- 3 Insira corretamente as pilhas novas (tipo AAA/LR03/1,5 V).



- 4 Elimine as pilhas gastas ou defeituosas de acordo com as normas locais.

Nota: Não deite as pilhas no lixo doméstico.

Serviço de Apoio ao Cliente

Se o seu aparelho precisar de ser reparado, o nosso Serviço de Assistência Técnica está à sua disposição. Nós encontramos sempre uma solução adequada, também para evitar deslocações inúteis de técnicos.

Quando efetuar a chamada, indique o número de produto (N.º E) e o número de fabrico (N.º FD) do aparelho para podermos prestar um serviço de qualidade. A placa de características onde constam estas referências encontra-se no aparelho.

Para que, em caso de necessidade, não perca tempo a procurar, poderá inserir aqui os dados do seu aparelho e o número de telefone da assistência técnica.

N.º E N.º FD

Assistência Técnica ☎

Tenha em atenção que a deslocação do técnico da assistência não é gratuita em caso de utilização incorreta do aparelho, mesmo durante o período de garantia.

Os dados para contacto com todos os países encontram-se no índice dos Serviços Técnicos anexo.

Ordem de reparação e apoio em caso de anomalias

PT 21 4250 790

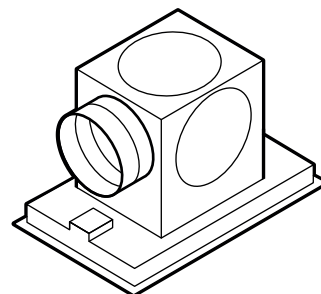
Confie na competência do fabricante. Terá assim a garantia que a reparação é efectuada por técnicos especializados do Serviço de Assistência Técnica, equipados com peças de substituição originais para o seu electrodoméstico.

Acessórios

Acessórios especiais

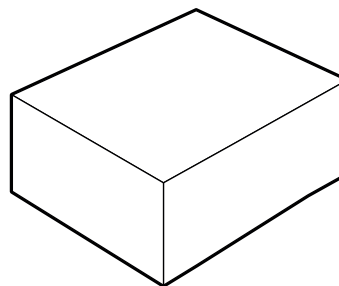
Acessórios	Referência
------------	------------

Módulo de recirculação do ar para AC402/462/472/482	AA010810
---	----------



Acessórios	Referência
------------	------------

Filtro de carvão ativo para AC402/462/472/482	AA200110
---	----------



Πίνακας περιεχομένων

Σημαντικές υποδείξεις ασφαλείας	41
Προστασία περιβάλλοντος	43
Εξοικονόμηση ενέργειας	43
Απόσυρση σύμφωνα με τους κανόνες προστασίας του περιβάλλοντος	43
Τρόποι λειτουργίας	44
Λειτουργία εξαερισμού	44
Λειτουργία ανακυκλοφορίας αέρα	44
Χειρισμός της συσκευής	44
Πεδίο χειρισμού	44
Τηλεχειριστήριο	44
Ρύθμιση του ανεμιστήρα	45
Εντατική βαθμίδα	45
Λειτουργία καθυστέρησης	45
Διακοπτόμενος εξαερισμός	45
Ένδειξη κορεσμού	46
Φωτισμός	46
Διάταξη απενεργοποίησης ασφαλείας	46
Καθαρισμός και συντήρηση	46
Βλάβες, τι μπορεί να γίνει;	49
Αλλαγή των μπαταριών του τηλεχειριστηρίου	50
Σέρβις πελατών	50
Εξαρτήματα	51

Περαιτέρω πληροφορίες για τα προϊόντα, τα εξαρτήματα, τα ανταλλακτικά και το σέρβις θα βρείτε στο διαδίκτυο (Internet): www.gaggenau.com και στο online-shop: www.gaggenau.com/zz/store

⚠ Σημαντικές υποδείξεις ασφαλείας

Διαβάστε προσεκτικά αυτές τις οδηγίες. Μόνο τότε μπορείτε να χειριστείτε τη συσκευή σίγουρα και σωστά. Φυλάξτε τις οδηγίες χρήσης και συναρμολόγησης για μια αργότερη χρήση ή για τον επόμενο ιδιοκτήτη.

Μόνο με τη σωστή εγκατάσταση σύμφωνα με τις οδηγίες τοποθέτησης εξασφαλίζεται η ασφάλεια κατά τη χρήση. Ο εγκαταστάτης είναι υπεύθυνος για την άψογη λειτουργία στη θέση τοποθέτησης.

Αυτή η συσκευή προορίζεται μόνο για την οικιακή χρήση και το οικιακό περιβάλλον. Η συσκευή δεν προορίζεται για λειτουργία στον εξωτερικό χώρο. Κατά τη διάρκεια της λειτουργίας παρακολουθείτε τη συσκευή. Ο κατασκευαστής δεν ευθύνεται για ζημιές από ανάρμοστη χρήση ή λανθασμένο χειρισμό.

Αυτή η συσκευή προορίζεται για χρήση μέχρι ένα μέγιστο ύψος 2.000 μέτρων πάνω από την επιφάνεια της θάλασσας.

Αυτή η συσκευή επιτρέπεται να χρησιμοποιηθεί από παιδιά από 8 ετών και πάνω και από άτομα με μειωμένες φυσικές, αισθητήριες ή πνευματικές ικανότητες ή με ανεπαρκή εμπειρία ή γνώση, όταν επιτηρούνται από ένα άτομο που είναι υπεύθυνο για την ασφάλειά τους ή έχουν λάβει σχετικές οδηγίες απ' αυτό για την ασφαλή χρήση της συσκευής και έχουν κατανοήσει τους κινδύνους που μπορεί να προκύψουν.

Τα παιδιά δεν επιτρέπεται να παίζουν με τη συσκευή. Ο καθαρισμός και η συντήρηση από το χρήστη δεν επιτρέπεται να πραγματοποιηθούν από παιδιά, εκτός εάν είναι 15 ετών και άνω και επιτηρούνται.

Κρατάτε τα παιδιά που είναι κάτω των 8 ετών μακριά από τη συσκευή και το καλώδιο σύνδεσης.

Μετά την αφαίρεση από τη συσκευασία, ελέγξτε τη συσκευή. Σε περίπτωση ζημιάς κατά τη μεταφορά μην την συνδέσετε.

Αυτή η συσκευή δεν προορίζεται για τη λειτουργία με έναν εξωτερικό χρονοδιακόπτη ή ένα τηλεχειριστήριο.

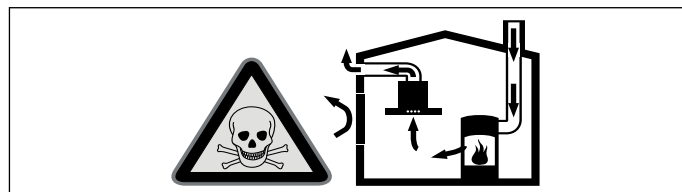
Κίνδυνος ασφυξίας!

Τα υλικά της συσκευασίας είναι επικίνδυνα για τα παιδιά. Μην αφήνετε τα παιδιά να παίζουν ποτέ με τα υλικά συσκευασίας.

Θανατηφόρος κίνδυνος!

Τα επαναρροφούμενα αέρια καύσης μπορούν να προκαλέσουν δηλητηριάσεις.

Φροντίζετε πάντοτε για επαρκή παροχή αέρα, όταν η συσκευή χρησιμοποιείται στη λειτουργία εξαερισμού ταυτόχρονα με μια εστία, εξαρτημένη από τον αέρα του περιβάλλοντος.

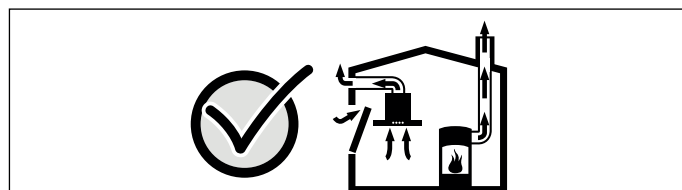


Εστίες, εξαρτημένες από τον αέρα του περιβάλλοντος (π.χ. συσκευές θέρμανσης που λειτουργούν με αέριο, λάδι, ξύλο ή άνθρακα, θερμοσίφωνες γκαζιού, θερμαντήρες νερού) λαμβάνουν τον αέρα για καύση από το χώρο τοποθέτησης και οδηγούν τα καυσαέρια μέσα από μια εγκατάσταση απαγωγής των καυσαερίων (π.χ. καμινάδα) στο εξωτερικό.

Σε συνδυασμό με έναν ενεργοποιημένο εξαερισμό οροφής αφαιρείται αέρας από την κουζίνα και τους γειτονικούς χώρους - χωρίς επαρκή παροχή αέρα δημιουργείται μια υποπίεση. Τα δηλητηριώδη αέρια από την καμινάδα ή τον απορροφητήρα επιστρέφουν πίσω στα δωμάτια του σπιτιού.

- Γι' αυτό πρέπει να φροντίζετε πάντοτε για επαρκή παροχή αέρα.
- Ένα εντοιχισμένο κιβώτιο αερισμού / εξαερισμού μόνο του, δεν εξασφαλίζει την τήρηση της οριακής τιμής.

Μια ακίνδυνη λειτουργία είναι μόνο τότε δυνατή, όταν η υποπίεση στο χώρο τοποθέτησης της εστίας δεν υπερβαίνει τα 4 Pa (0,04 mbar). Αυτό επιτυγχάνεται, όταν μέσω μη κλεινόμενων ανοιγμάτων, π.χ. στις πόρτες, στα παράθυρα, σε συνδυασμό με ένα εντοιχισμένο κιβώτιο αερισμού / εξαερισμού ή με άλλα τεχνικά μέτρα, μπορεί να αναπληρωθεί ο απαραίτητος αέρας που χρειάζεται για την καύση.



Ζητήστε σε κάθε περίπτωση τη συμβουλή του αρμόδιου καπνοδοχοκαθαριστή, ο οποίος μπορεί να εκτιμήσει το συνολικό σύστημα αερισμού του σπιτιού και να σας προτείνει το κατάλληλο μέτρο αερισμού.

Εάν ο εξαερισμός οροφής λειτουργεί αποκλειστικά στην λειτουργία ανακυκλοφορίας αέρα, τότε η λειτουργία είναι δυνατή χωρίς περιορισμό.

Κίνδυνος πυρκαγιάς!

- Οι εναποθέσεις λίπους στο φίλτρο του λίπους μπορούν να αναφλεγούν.

Καθαρίζετε το φίλτρο λίπους το λιγότερο κάθε 2 μήνες .

Μη λειτουργείτε τη συσκευή ποτέ χωρίς το φίλτρο του λίπους.

- Οι εναποθέσεις λίπους στο φίλτρο του λίπους μπορούν να αναφλεγούν. Κοντά στη συσκευή μη δουλεύετε ποτέ με ανοιχτή φλόγα (π.χ. φλαμπέ). Εγκαταστήστε τη συσκευή κοντά σε μια εστία για στερεά υλικά καύσης (π.χ. ξύλα ή κάρβουνα), μόνο τότε, όταν υπάρχει ένα κλειστό, μη αφαιρούμενο κάλυμμα. Δεν επιτρέπεται να δημιουργούνται καθόλου σπινθήρες.
- Το καυτό λάδι και λίπος αναφλέγονται γρήγορα. Μην αφήνετε ποτέ καυτό λάδι και λίπος χωρίς παρακολούθηση. Μην σβήνετε ποτέ μια φωτιά με νερό. Απενεργοποιήστε την εστία μαγειρέματος. Σβήστε τις φλόγες προσεκτικά με ένα καπάκι, μια κουβέρτα πυρόσβεσης ή κάτι παρόμοιο.
- Οι εστίες μαγειρέματος αερίου, χωρίς τοποθετημένα πάνω μαγειρικά σκεύη, δημιουργούν κατά τη λειτουργία μεγάλη θερμότητα. Μια από πάνω τοποθετημένη συσκευή εξαερισμού μπορεί να υποστεί ζημιά ή να πιάσει φωτιά. Λειτουργείτε τις εστίες μαγειρέματος αερίου μόνο με τοποθετημένα πάνω μαγειρικά σκεύη.
- Σε περίπτωση ταυτόχρονης λειτουργίας περισσότερων εστιών αερίου δημιουργείται μεγάλη θερμότητα. Η συσκευή εξαερισμού μπορεί να υποστεί ζημιά ή να πιάσει φωτιά. Η συσκευή εξαερισμού επιτρέπεται να συνδυαστεί μόνο με εστίες μαγειρέματος αερίου, που δεν υπερβαίνουν μια μέγιστη συνολική ισχύ 18 kW. Σε περίπτωση υπέρβασης της συνολικής ισχύος των 12 kW πρέπει να τηρηθούν οι τοπικές διατάξεις σχετικά με τον εξαερισμό του χώρου, το

μέγεθος του χώρου και το συνδυασμό με συσκευές εξαερισμού με λειτουργία εξαερισμού ή ανακυκλοφορίας του αέρα.

Κίνδυνος ζεματίσματος!

Τα προσιτά μέρη/εξαρτήματα ζεσταίνονται πάρα πολύ κατά τη λειτουργία. Μην ακουμπάτε ποτέ τα καυτά μέρη/εξαρτήματα. Κρατάτε τα παιδιά μακριά.

Κίνδυνος τραυματισμού!

- Τα εξαρτήματα στο εσωτερικό της συσκευής μπορεί να είναι κοφτερά. Φοράτε προστατευτικά γάντια.
- Κίνδυνος πτώσης κατά την εργασία στη συσκευή. Χρησιμοποιήστε μια σταθερή διπλή σκάλα. Επιλέξτε τη διπλή σκάλα ανάλογα με το ύψος εργασίας. Χρησιμοποιείτε πάντοτε τη διπλή σκάλα μόνο εντελώς ανοιχτή πάνω σε επίπεδο δάπεδο. Φροντίστε, να έχει τοποθετηθεί η ασφάλεια. Σταθείτε πάντοτε και με τα δύο πόδια πάνω στη διπλή σκάλα, μην ανεβαίνετε πολύ ψηλά και μη γέρνετε έξω.

Κίνδυνος ηλεκτροπληξίας!

- Μια ελαττωματική συσκευή μπορεί να προκαλέσει μια ηλεκτροπληξία. Μην ενεργοποιείτε ποτέ μια χαλασμένη συσκευή. Τραβήξτε το φισ από την πρίζα ή κατεβάστε την ασφάλεια στο κιβώτιο των ασφαλειών. Καλέστε την υπηρεσία εξυπηρέτησης πελατών.
- Οι ακατάλληλες επισκευές είναι επικίνδυνες. Μόνο ένας τεχνικός της υπηρεσίας εξυπηρέτησης πελατών, εκπαιδευμένος από εμάς, επιτρέπεται να εκτελέσει τις επισκευές και να αντικαταστήσει τα χαλασμένα καλώδια σύνδεσης. Εάν η συσκευή έχει βλάβη, τραβήξτε το φισ από την πρίζα ή κατεβάστε την ασφάλεια στο κιβώτιο των ασφαλειών. Καλέστε την υπηρεσία εξυπηρέτησης πελατών.
- Μια εισχώρηση υγρασίας μπορεί να προκαλέσει μια ηλεκτροπληξία. Μην χρησιμοποιείτε συσκευές καθαρισμού υψηλής πίεσης ή συσκευές εκτόξευσης ατμού.

Αιτίες των ζημιών

Προσοχή!

Κίνδυνος ζημιάς λόγω διάβρωσης. Ενεργοποιείτε πάντοτε τη συσκευή στο μαγείρεμα, για να αποφύγετε τη δημιουργία υγρασίας. Η υγρασία μπορεί να προκαλέσει ζημιές λόγω διάβρωσης.

Αντικαθιστάτε πάντοτε αμέσως τις χαλασμένες λάμπες, για να εμποδίσετε μια υπερφόρτωση των υπόλοιπων λαμπών.

Κίνδυνος ζημιάς λόγω εισερχόμενης υγρασίας στο ηλεκτρονικό σύστημα. Μην καθαρίζετε ποτέ τα στοιχεία χειρισμού με υγρό πανί.

Ζημιές στην επιφάνεια από λάθος καθαρισμό. Καθαρίζετε τις επιφάνειες ανοξείδωτου χάλυβα μόνο στην κατεύθυνση λείανσης. Για τα στοιχεία χειρισμού μη χρησιμοποιείτε υλικά καθαρισμού ανοξείδωτου χάλυβα.

Ζημιές στην επιφάνεια από υλικά τριψίματος ή τραχιά υλικά καθαρισμού. Μη χρησιμοποιείτε ποτέ υλικά τριψίματος ή τραχιά υλικά καθαρισμού.

Κίνδυνος ζημιάς λόγω επιστροφής συμπυκνώματος. Εγκαταστήστε το κανάλι εξαερισμού, αρχίζοντας από τη συσκευή, με μια ελαφριά κλίση (κλίση 1°).

Προστασία περιβάλλοντος

Η νέα σας συσκευή είναι ιδιαίτερα ενεργειακά αποτελεσματική. Επιπλέον θα βρείτε συμβουλές, πως μπορείτε με τη συσκευή σας να εξοικονομήσετε ακόμα περισσότερη ενέργεια και πως πρέπει να την αποσύρετε σύμφωνα με τους κανόνες προστασίας του περιβάλλοντος.

Εξοικονόμηση ενέργειας

- Ενεργοποιήστε τον αερισμό μόνο, όταν είναι απαραίτητο. Όταν ζεσταίνετε κάτι μόνο για λίγο, που δε μυρίζει δυνατά, μπορείτε να αφήσετε τον αερισμό επίσης και απενεργοποιημένο.
- Επιλέξτε μια βαθμίδα ανεμιστήρα, προσαρμοσμένη στις εκάστοτε συνθήκες.
- Μετά το μαγείρεμα απενεργοποιήστε ξανά τον αερισμό.
- Καθαρίζετε τακτικά το φίλτρο του λίπους, αυτό αυξάνει την αποτελεσματικότητα του αερισμού.
- Απενεργοποιήστε το φωτισμό της συσκευής σε περίπτωση που δε χρησιμοποιείται.

Απόσυρση σύμφωνα με τους κανόνες προστασίας του περιβάλλοντος

Αποσύρετε τη συσκευασία σύμφωνα με τους κανόνες προστασίας του περιβάλλοντος.



Αυτή η συσκευή χαρακτηρίζεται σύμφωνα με την ευρωπαϊκή οδηγία 2012/19/ΕΕ περί ηλεκτρικών και ηλεκτρονικών συσκευών (waste electrical and electronic equipment - WEEE).

Η οδηγία προκαθορίζει τα πλαίσια για μια απόσυρση και αξιοποίηση των παλιών συσκευών με ισχύ σ' όλη την ΕΕ.

Τρόποι λειτουργίας

Αυτή τη συσκευή μπορείτε να την χρησιμοποιήσετε στη λειτουργία εξαερισμού ή στη λειτουργία ανακυκλοφορίας αέρα.

Λειτουργία εξαερισμού



Ο απορροφούμενος αέρας καθαρίζεται από τα φίλτρα λίπους και διοχετεύεται μέσω ενός συστήματος σωλήνων στον έξω χώρο.

Υπόδειξη: Ο αέρας απαγωγής δεν επιτρέπεται να διοχετευθεί σε καμινάδα καπνού ή καυσαερίων που βρίσκεται σε λειτουργία ούτε σε αγωγό, ο οποίος χρησιμεύει στον εξαερισμό των χώρων τοποθέτησης με εστίες.

- Σε περίπτωση που ο αέρας απαγωγής πρόκειται να διοχετευθεί σε καμινάδα καπνού ή καυσαερίων που δεν βρίσκεται σε λειτουργία, είναι απαραίτητη η έγκριση του αρμοδίου καπνοδοχοκαθαριστή.
- Εάν ο αέρας απαγωγής διοχετεύεται στο ύπαιθρο μέσω του εξωτερικού τοίχου, θα πρέπει να χρησιμοποιηθεί ένα τηλεσκοπικό, εντοιχιζόμενο κιβώτιο.

Λειτουργία ανακυκλοφορίας αέρα



Ο απορροφούμενος αέρας καθαρίζεται από τα φίλτρα λίπους και ένα φίλτρο ενεργού άνθρακα και οδηγείται ξανά στην κουζίνα.

Υπόδειξη: Για να εξουδετερώσετε τις οσμές στην λειτουργία ανακυκλοφορίας αέρα, πρέπει να τοποθετήσετε ένα φίλτρο ενεργού άνθρακα. Τις διάφορες δυνατότητες χειρισμού της συσκευής στη λειτουργία ανακυκλοφορίας αέρα, θα τις βρείτε στο αντίστοιχο φυλλάδιο ή απευθυνθείτε στα ειδικά καταστήματα. Τα απαραίτητα γι' αυτό εξαρτήματα μπορείτε να τα προμηθευτείτε στα ειδικά καταστήματα, στην υπηρεσία τεχνικής εξυπηρέτησης πελατών ή στο online-shop.

Χειρισμός της συσκευής

Υπόδειξη: Ενεργοποιήστε τον εξαερισμό οροφής στο ξεκίνημα του μαγειρέματος και απενεργοποιήστε τον ξανά μόλις λίγα λεπτά μετά τη λήξη του μαγειρέματος. Οι ατμοί της κουζίνας απομακρύνονται έτσι αποτελεσματικότερα.

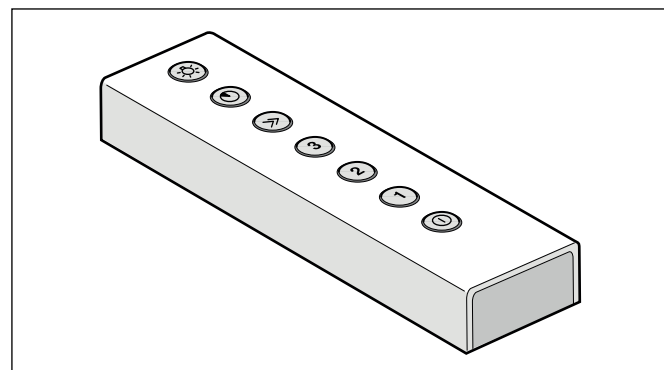
Πεδίο χειρισμού



⓪	Ενεργοποίηση/απενεργοποίηση του ανεμιστήρα
1	Ενεργοποίηση της βαθμίδας 1 του ανεμιστήρα
2	Ενεργοποίηση της βαθμίδας 2 του ανεμιστήρα
3	Ενεργοποίηση της βαθμίδας 3 του ανεμιστήρα
>>	Ενεργοποίηση της εντατικής βαθμίδας
⏻	Ενεργοποίηση της συνέχισης της λειτουργίας του ανεμιστήρα
⚙️	Επαναφορά της ένδειξης κορεσμού
💡	Ενεργοποίηση του φωτισμού

Τηλεχειριστήριο

Εκτός από την επαναφορά της ένδειξης κορεσμού μπορείτε να χειριστείτε όλες τις λειτουργίες της συσκευής μέσω του πεδίου χειρισμού και του τηλεχειριστηρίου.

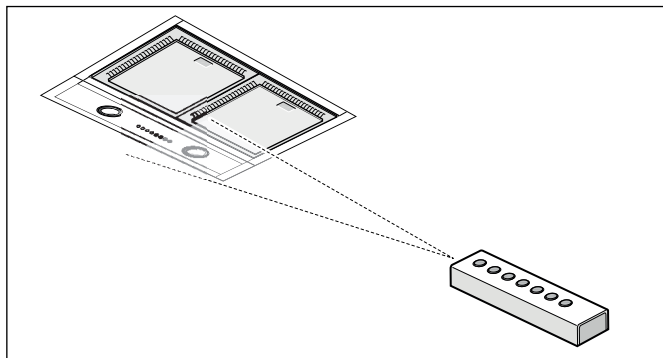


⓪	Απενεργοποίηση του ανεμιστήρα
1	Ενεργοποίηση της βαθμίδας 1 του ανεμιστήρα
2	Ενεργοποίηση της βαθμίδας 2 του ανεμιστήρα
3	Ενεργοποίηση της βαθμίδας 3 του ανεμιστήρα
>>	Ενεργοποίηση της εντατικής βαθμίδας
⏻	Ενεργοποίηση της συνέχισης της λειτουργίας του ανεμιστήρα
💡	Ενεργοποίηση του φωτισμού

Στρέψτε το τηλεχειριστήριο προς το πεδίο χειρισμού.

Υποδείξεις

- Φροντίστε, να υπάρχει οπτική επαφή με τον εξαερισμό οροφής.
- Σε περίπτωση που η συσκευή δεν αντιδρά παρόλη τη μικρή απόσταση από το τηλεχειριστήριο, αλλάξτε τις μπαταρίες του τηλεχειριστηρίου.



Ρύθμιση του ανεμιστήρα

Υπόδειξη: Προσαρμόστε την ένταση του ανεμιστήρα πάντοτε στις τρέχουσες συνθήκες. Σε περίπτωση μεγάλης δημιουργίας υδρατμών επιλέξτε επίσης μια υψηλή βαθμίδα ανεμιστήρα.

Ενεργοποίηση

- 1 Πατήστε το πλήκτρο ①.
Ο ανεμιστήρας ξεκινά στη βαθμίδα 2.
- 2 Πατήστε το πλήκτρο 1, 2, 3 ή >>, για να ρυθμίσετε τη αντιστοιχη βαθμίδα του ανεμιστήρα.

Υπόδειξη: Με το τηλεχειριστήριο μπορείτε να ενεργοποιήσετε τον ανεμιστήρα μόνο με το πλήκτρο 1, 2, 3 ή >>. Με το πλήκτρο ① απενεργοποιείτε τον ανεμιστήρα.

Απενεργοποίηση

Πατήστε το πλήκτρο ①.

Εντατική βαθμίδα

Σε περίπτωση ιδιαίτερα μεγάλης δημιουργίας οσμών και υδρατμών μπορείτε να χρησιμοποιείτε την εντατική βαθμίδα.

Ενεργοποίηση

- 1 Πατήστε το πλήκτρο ①.
Ο ανεμιστήρας ξεκινά στη βαθμίδα 2.
- 2 Πατήστε το πλήκτρο >>.
Η εντατική βαθμίδα είναι ενεργοποιημένη.

Υπόδειξη: Ο χρόνος λειτουργίας της εντατικής βαθμίδας ανέρχεται στα 6 λεπτά. Μετά τη λήξη αυτού του χρόνου περνά η συσκευή ξανά στην επιλεγμένη προηγούμενης βαθμίδα του ανεμιστήρα.

Υπόδειξη: Με το τηλεχειριστήριο μπορείτε να ενεργοποιήσετε την εντατική βαθμίδα απευθείας με το πλήκτρο >>.

Απενεργοποίηση

Πατήστε το πλήκτρο ① ή το πλήκτρο μιας άλλης βαθμίδας ανεμιστήρα.

Η εντατική βαθμίδα τερματίζεται.

Λειτουργία καθυστέρησης

Ενεργοποίηση

Μπορείτε να ενεργοποιήσετε τη λειτουργία καθυστέρησης για κάθε βαθμίδα ανεμιστήρα.

- 1 Επιλέξτε τη βαθμίδα ανεμιστήρα 1, 2, 3 ή >>.
- 2 Πατήστε το πλήκτρο ⌚.
Ο χρόνος συνέχισης της λειτουργίας ανέρχεται για όλες τις βαθμίδες ανεμιστήρα στα 6 λεπτά. Μετά τη λήξη αυτού του χρόνου απενεργοποιείται αυτόματα ο αερισμός. Εάν ο φωτισμός είναι ενεργοποιημένος, τότε μετά τη λήξη του χρόνου συνέχισης της λειτουργίας συνεχίζει να παραμένει ενεργοποιημένος.

Απενεργοποίηση

Πατήστε το πλήκτρο ⌚ ή το πλήκτρο μιας άλλης βαθμίδας ανεμιστήρα.

Η λειτουργία καθυστέρησης τερματίζεται πριν τη λήξη του υπόλοιπου χρόνου συνέχισης της λειτουργίας.

Διακοπτόμενος εξαερισμός

Ενεργοποίηση

Στον διακοπτόμενο εξαερισμό ενεργοποιείται ο εξαερισμός αυτόματα κάθε φορά για 6 λεπτά την ώρα.


- 1 Πατήστε τη βαθμίδα ανεμιστήρα 1, 2 ή 3.
- 2 Πατήστε δύο φορές το πλήκτρο ⌚.
Το πλήκτρο ⌚ και το πλήκτρο της επιλεγμένης βαθμίδας ανεμιστήρα αναβοσβήνουν εναλλάξ. Ο διακοπτόμενος εξαερισμός είναι ενεργοποιημένος.

Απενεργοποίηση

Πατήστε το πλήκτρο ①.

Ο διακοπτόμενος εξαερισμός είναι απενεργοποιημένος.

Ένδειξη κορεσμού

Σε περίπτωση κορεσμού των μεταλλικών φίλτρων λίπους αναβοσβήνει το πλήκτρο .

Το αργότερο τώρα θα πρέπει να καθαριστούν τα μεταλλικά φίλτρα λίπους.

Τον τρόπο καθαρισμού των μεταλλικών φίλτρων λίπους, θα τον βρείτε στο κεφάλαιο Καθαρισμός και συντήρηση.

Επαναφορά της ένδειξης κορεσμού

Πατήστε το πλήκτρο .

Φωτισμός

Το φωτισμό μπορείτε να τον ενεργοποιείτε και να τον απενεργοποιείτε ανεξάρτητα από τον αερισμό.

Ενεργοποίηση ή απενεργοποίηση

Πατήστε το πλήκτρο .

Διάταξη απενεργοποίησης ασφαλείας

Για την προστασία σας η συσκευή είναι εξοπλισμένη με μια διάταξη απενεργοποίησης ασφαλείας. Ο φωτισμός απενεργοποιείται μετά από 12 ώρες και ο ανεμιστήρας μετά από 4 ώρες, όταν μέσα σ' αυτό το χρονικό διάστημα δε λάβει χώρα κανένας χειρισμός. Εξαιρέση: Στο διακοπόμενο εξαερισμό δεν απενεργοποιείται ο ανεμιστήρας.

Καθαρισμός και συντήρηση

Κίνδυνος εγκαύματος!

Η συσκευή θερμαίνεται πολύ κατά τη διάρκεια της λειτουργίας. Πριν τον καθαρισμό αφήστε τη συσκευή να κρυώσει.

Κίνδυνος ηλεκτροπληξίας!

Μια εισχώρηση υγρασίας μπορεί να προκαλέσει μια ηλεκτροπληξία. Καθαρίστε τη συσκευή μόνο μ' ένα υγρό πανί. Πριν τον καθαρισμό τραβήξτε το φις από την πρίζα ή κατεβάστε την ασφάλεια στο κιβώτιο των ασφαλειών.

Κίνδυνος ηλεκτροπληξίας!

Μια εισχώρηση υγρασίας μπορεί να προκαλέσει μια ηλεκτροπληξία. Μη χρησιμοποιείτε συσκευές καθαρισμού υψηλής πίεσης ή συσκευές εκτόξευσης ατμού.

Κίνδυνος τραυματισμού!

Κίνδυνος πτώσης κατά την εργασία στη συσκευή. Χρησιμοποιήστε μια σταθερή διπλή σκάλα.

Κίνδυνος τραυματισμού!

Τα εξαρτήματα στο εσωτερικό της συσκευής μπορεί να είναι κοφτερά. Φοράτε προστατευτικά γάντια.

Υλικά καθαρισμού

Για να μην υποστούν ζημιές οι διάφορες επιφάνειες από λάθος υλικό καθαρισμού, προσέξτε τα στοιχεία που αναφέρονται στον πίνακα. Μη χρησιμοποιείτε

- ισχυρά καθαριστικά ή υλικά τριψίματος,
- ισχυρά αλκοολούχα καθαριστικά,
- σκληρά σύρματα τριψίματος ή σφουγγάρια καθαρισμού,
- συσκευές καθαρισμού υψηλής πίεσης ή συσκευές εκτόξευσης ατμού.

Πριν τη χρήση πλύνετε καλά τα καινούργια σφουγγαρόπανα.

Προσέξτε όλες τις οδηγίες και προειδοποιήσεις, που συνοδεύουν τα απορρυπαντικά.

Περιοχή	Υλικά καθαρισμού
Ανοξειδωτο ατσάλι	Ζεστό διάλυμα απορρυπαντικού πιάτων: Καθαρίστε μ' ένα πανί καθαρισμού και στεγνώστε μ' ένα μαλακό πανί. Καθαρίζετε τις επιφάνειες ανοξειδωτου χάλυβα μόνο στην κατεύθυνση λείανσης. Στην υπηρεσία εξυπηρέτησης πελατών ή στα ειδικά καταστήματα μπορείτε να προμηθευτείτε τα ειδικά υλικά φροντίδας ανοξειδωτου χάλυβα. Απλώστε πολύ λεπτά το υλικό φροντίδας μ' ένα μαλακό πανί.
Βερνικωμένες επιφάνειες	Ζεστό διάλυμα απορρυπαντικού πιάτων: Καθαρίστε μ' ένα υγρό πανί καθαρισμού και στεγνώστε μ' ένα μαλακό πανί. Μη χρησιμοποιείτε καθαριστικά ανοξειδωτου χάλυβα.
Αλουμίνιο και συνθετικό υλικό	Υγρό καθαρισμού τζαμιών: Καθαρίστε με ένα μαλακό πανί.
Γυαλί	Υγρό καθαρισμού τζαμιών: Καθαρίστε με ένα μαλακό πανί. Μη χρησιμοποιείτε ξύστρες γυαλιού.
Στοιχεία χειρισμού	Ζεστό διάλυμα απορρυπαντικού πιάτων: Καθαρίστε μ' ένα υγρό πανί καθαρισμού και στεγνώστε μ' ένα μαλακό πανί. Κίνδυνος ηλεκτροπληξίας λόγω εισερχόμενης υγρασίας. Κίνδυνος ζημιάς του ηλεκτρονικού συστήματος λόγω εισερχόμενης υγρασίας. Μη καθαρίζετε ποτέ τα στοιχεία χειρισμού με υγρό πανί. Μη χρησιμοποιείτε καθαριστικά ανοξειδωτου χάλυβα.

Αφαίρεση των μεταλλικών φίλτρων λίπους

⚠ Κίνδυνος τραυματισμού!

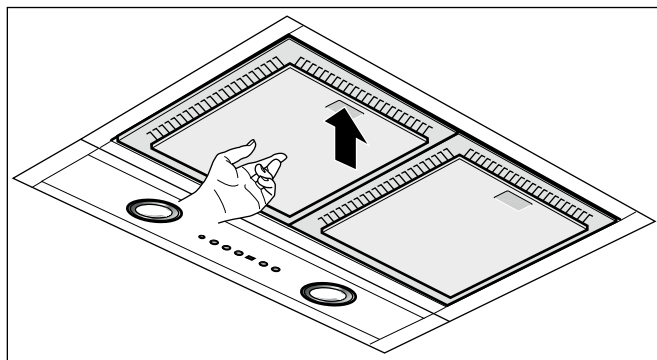
Κίνδυνος πτώσης κατά την εργασία στη συσκευή. Χρησιμοποιήστε μια σταθερή διπλή σκάλα.

⚠ Κίνδυνος τραυματισμού!

Τα εξαρτήματα στο εσωτερικό της συσκευής μπορεί να είναι κοφτερά. Φοράτε προστατευτικά γάντια.

- 1 Πιέστε πάνω στο μαρκάρισμα του μεταλλικού φίλτρου λίπους και αφαιρέστε το μεταλλικό φίλτρο λίπους από το στήριγμα. Γι' αυτό πιάστε με το άλλο χέρι κάτω από το μεταλλικό φίλτρο

Υπόδειξη: Λίπος μπορεί να έχει συσσωρευτεί στο κάτω μέρος στο μεταλλικό φίλτρο λιπών. Μην κρατάτε λοξά το μεταλλικό φίλτρο λιπών, ώστε να αποφεύγετε το στάξιμο του λίπους.



- 2 Καθαρίστε το μεταλλικό φίλτρο λιπών.
- 3 Καθαρίζετε τη συσκευή εσωτερικά.

Καθαρισμός του μεταλλικού φίλτρου λίπους

⚠ Κίνδυνος πυρκαγιάς!

Οι εναποθέσεις λίπους στο φίλτρο του λίπους μπορούν να αναφλεγούν.

Καθαρίζετε το φίλτρο λίπους το λιγότερο κάθε 2μήνες

Μη λειτουργείτε τη συσκευή ποτέ χωρίς το φίλτρο του λίπους.

Υποδείξεις

- Μη χρησιμοποιείτε δραστικά μέσα καθαρισμού που περιέχουν οξέα ή βάσεις.
- Κατά τον καθαρισμό των μεταλλικών φίλτρων λίπους καθαρίζετε επίσης το στήριγμα των μεταλλικών φίλτρων λίπους στη συσκευή μ' ένα βρεγμένο πανί.
- Τα μεταλλικά φίλτρα λίπους μπορείτε να τα καθαρίσετε στο πλυντήριο των πιάτων ή με το χέρι.

Στο πλυντήριο πιάτων:

Υπόδειξη: Κατά τον καθαρισμό στο πλυντήριο των πιάτων μπορεί να εμφανιστούν ελαφρές αποχρώσεις. Αυτό δεν έχει καμία επιρροή πάνω στη λειτουργία των μεταλλικών φίλτρων λίπους.

- Μην καθαρίζετε τα πολύ λερωμένα μεταλλικά φίλτρα λίπους μαζί με τα σκεύη.
- Απομακρύνετε τη σκληρή ρύπανση προηγουμένως με το χέρι.
- Τοποθετείτε τα μεταλλικά φίλτρα λίπους χαλαρά μέσα στο πλυντήριο των πιάτων. Τα μεταλλικά φίλτρα λίπους δεν επιτρέπεται να μαγκωθούν.

Στο χέρι:

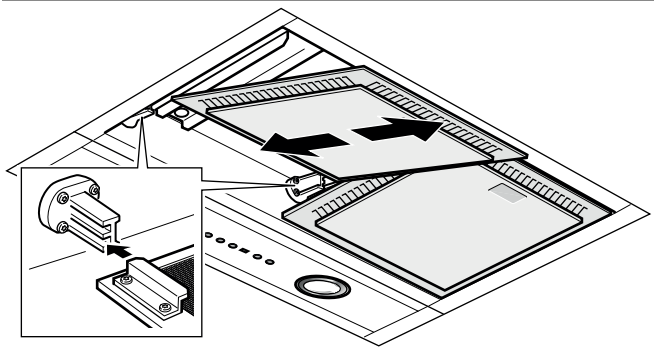
- Μουλιάστε τα μεταλλικά φίλτρα λίπους σε ζεστό διάλυμα απορρυπαντικού πιάτων.
- Χρησιμοποιήστε βούρτσα για τον καθαρισμό και ξεπλύντε μετά τα φίλτρα καλά.
- Αφήστε τα μεταλλικά φίλτρα λίπους να στραγγίξουν.

Υπόδειξη: Σε περίπτωση σκληρής ρύπανσης μπορείτε να χρησιμοποιήσετε ένα ειδικό απολιπαντικό. Μπορείτε να το παραγγείλετε μέσω του Online-Shop (αριθμός προϊόντος 00311297). Ψεκάστε μ' αυτό τα λερωμένα μεταλλικά φίλτρα λίπους και αφήστε το απολιπαντικό να δράσει μέχρι και 5 λεπτά. Μετά πλύντε καλά. Προσέξτε επίσης και τις υποδείξεις εφαρμογής του καθαριστικού.

Τοποθέτηση των μεταλλικών φίλτρων λίπους

- 1 Τοποθετήστε τα μεταλλικά φίλτρα λίπους και ασφαλίστε τη μαντάλωση.

Υπόδειξη: Βεβαιωθείτε κατά την τοποθέτηση, ότι το μεταλλικό φίλτρο λίπους έχει τοποθετηθεί σωστά από τις δύο πλευρές στον οδηγό. Διαφορετικά το μεταλλικό φίλτρο λίπους μπορεί να πέσει κάτω και να προκαλέσει ζημιά στη βάση εστιών.



- 2 Πατήστε το πλήκτρο . Η ένδειξη κορεσμού έχει επαναφερθεί (μηδενιστεί).

Αλλαγή του φίλτρου ενεργού άνθρακα (μόνο στη λειτουργία ανακυκλοφορίας αέρα)

Κίνδυνος τραυματισμού!

Κίνδυνος πτώσης κατά την αντικατάσταση του φίλτρου. Χρησιμοποιήστε μια σταθερή διπλή σκάλα.

Για να εξασφαλιστεί το φιλτράρισμα των οσμών, πρέπει να αλλάζετε τακτικά το φίλτρο ενεργού άνθρακα.

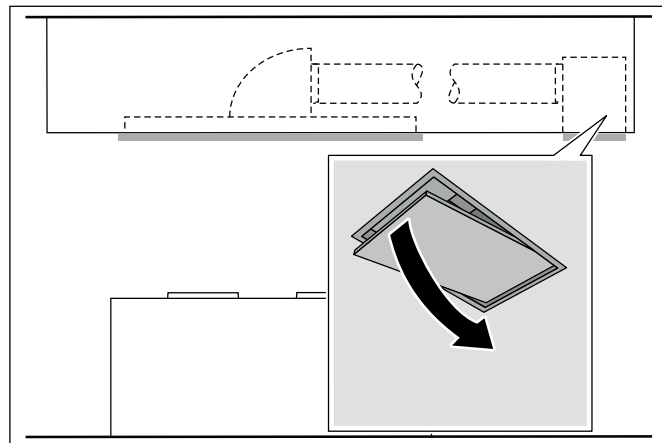
Το φίλτρο ενεργού άνθρακα σε περίπτωση κανονικής λειτουργίας (καθημερινά 1 έως 2 ώρες) πρέπει να αλλάξει το αργότερο μετά από 12 μήνες.

Υποδείξεις

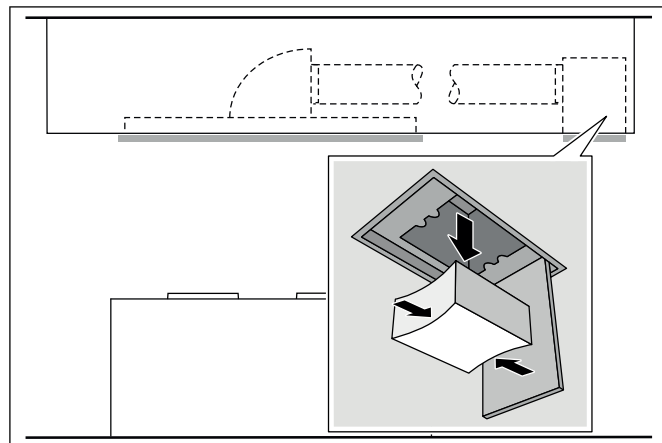
- Φίλτρα ενεργού άνθρακα μπορείτε να προμηθευτείτε στα ειδικά καταστήματα, στην υπηρεσία εξυπηρέτησης πελατών ή στο Online-Shop κάτω από τον αριθμό παραγγελίας AA200110. Χρειάζεστε 1 φίλτρο ενεργού άνθρακα AA200110 ανά μονάδα φίλτρου.
- Τα φίλτρα ενεργού άνθρακα δεν μπορεί να καθαριστούν ή να ενεργοποιηθούν ξανά.
- Τα φίλτρα ενεργού άνθρακα δεν περιέχουν βλαβερές ουσίες και μπορούν να αποσυρθούν μαζί με τα οικιακά απορρίμματα.

Ακολουθήστε την εξής διαδικασία

- 1 Ανοίξτε το κλαπέτο.



- 2 Συμπιέστε το φίλτρο ενεργού άνθρακα και αφαιρέστε το.



- 3 Συμπιέστε το νέο φίλτρο ενεργού άνθρακα και τοποθετήστε το.

- 4 Κλείστε το κλαπέτο.

Βλάβες, τι μπορεί να γίνει;

Συχνά μπορείτε να διορθώσετε μόνοι σας απλά τις παρουσιαζόμενες βλάβες. Πριν καλέσετε την υπηρεσία εξυπηρέτησης πελατών, προσέξτε τις ακόλουθες υποδείξεις.

Κίνδυνος ηλεκτροπληξίας!

Οι ακατάλληλες επισκευές είναι επικίνδυνες. Μόνο ένας τεχνικός της υπηρεσίας εξυπηρέτησης πελατών, εκπαιδευμένος από εμάς, επιτρέπεται να εκτελέσει τις επισκευές και να αντικαταστήσει τα χαλασμένα καλώδια σύνδεσης. Εάν η συσκευή έχει βλάβη, τραβήξτε το φισ από την πρίζα ή κατεβάστε την ασφάλεια στο κιβώτιο των ασφαλειών. Καλέστε την υπηρεσία εξυπηρέτησης πελατών.


Κίνδυνος τραυματισμού!

Το φως των λυχνιών LED είναι πολύ δυνατό και μπορεί να βλάψει τα μάτια (ομάδα κινδύνου 1). Μην κυττάτε παραπάνω από 100 δευτερόλεπτα απευθείας στις αναμμένες λυχνίες LED.

Λυχνίες φωτοδιόδων (LED)

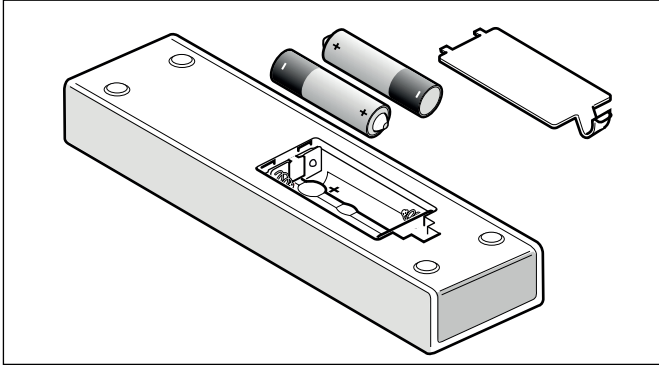
Οι χαλασμένες λυχνίες φωτοδιόδων (LED) επιτρέπεται να αντικατασταθούν μόνο από τον κατασκευαστή, την υπηρεσία τεχνικής εξυπηρέτησης πελατών ή έναν αδειούχο τεχνικό (ηλεκτρολόγο).

Πίνακας βλαβών

Βλάβη	Πιθανή αιτία	Λύση
Η συσκευή δε λειτουργεί	Ο ρευματολήπτης (φισ) δεν είναι συνδεδεμένος	Συνδέστε τη συσκευή στο δίκτυο του ρεύματος
	Διακοπή ρεύματος.	Ελέγξτε, εάν λειτουργούν άλλες κουζίνομηχανές
	Η ασφάλεια είναι χαλασμένη	Ελέγξτε στο κιβώτιο ασφαλειών, εάν η ασφάλεια για τη συσκευή είναι εντάξει
Η συσκευή δε λειτουργεί, όλα τα πλήκτρα αναβοσβήνουν	Ο ρευματολήπτης (φισ) του καλωδίου δεν είναι συνδεδεμένος	Ελέγξτε τη σύνδεση των καλωδίων δικτύου για όλες τις συσκευές
	Η ασφάλεια είναι χαλασμένη	Ελέγξτε στο κιβώτιο ασφαλειών, εάν οι ασφάλειες για όλες τις συσκευές είναι εντάξει
	Ένα εξάρτημα της συσκευής δε λειτουργεί	Καλέστε την υπηρεσία τεχνικής εξυπηρέτησης πελατών
Η συσκευή δε λειτουργεί	Η συσκευή βρίσκεται περισσότερο από 4 ώρες σε λειτουργία, η απενεργοποίηση για λόγους ασφαλείας ενεργοποιήθηκε	Θέστε τη συσκευή ξανά σε λειτουργία.
Ο φωτισμός των πλήκτρων δε λειτουργεί	Η μονάδα ελέγχου είναι ελαττωματική	Καλέστε την υπηρεσία τεχνικής εξυπηρέτησης πελατών
Ο φωτισμός δε λειτουργεί	Ο φωτισμός είναι χαλασμένος	Καλέστε την υπηρεσία τεχνικής εξυπηρέτησης πελατών
Το πλήκτρο  αναβοσβήνει	Το μεταλλικό φίλτρο είναι κορεσμένο	Καθαρισμός του φίλτρου, βλέπε στο κεφάλαιο <i>Καθαρισμός και συντήρηση</i>
Το τηλεχειριστήριο δε λειτουργεί	Οι μπαταρίες είναι άδειες	Αλλαγή μπαταριών, βλέπε στο κεφάλαιο <i>Αλλαγή των μπαταριών του τηλεχειριστηρίου</i>

Αλλαγή των μπαταριών του τηλεχειριστηρίου

- 1 Πιέστε τη γλώσσα ασφάλισης και αφαιρέστε το καπάκι.
- 2 Αφαιρέστε τις μπαταρίες.
- 3 Τοποθετήστε σωστά τις καινούργιες μπαταρίες (τύπος AAA/LR03/1,5 V).



- 4 Αποσύρετε τις άδειες ή χαλασμένες μπαταρίες σύμφωνα με τους τοπικούς κανονισμούς.

Υπόδειξη: Μην αποσύρετε τις μπαταρίες μαζί με τα οικιακά απορρίμματα.

Σέρβις πελατών

Εάν η συσκευή σας πρέπει να επισκευαστεί, η υπηρεσία τεχνικής εξυπηρέτησης των πελατών της εταιρείας μας βρίσκεται στη διάθεσή σας. Εμείς βρίσκουμε πάντοτε μια κατάλληλη λύση, επίσης και για την αποφυγή των περιττών επισκέψεων του τεχνικού.

Αναφέρετε στο τηλεφώνημα τον αριθμό προϊόντος (Αριθ. Ε) και τον αριθμό κατασκευής (Αριθ. FD), για να μπορούμε να σας βοηθήσουμε σωστά. Την πινακίδα τύπου με τους αριθμούς θα την βρείτε μέσα στη συσκευή.

Για να μη χρειαστεί να ψάχνετε πολύ, σε περίπτωση που χρειάζεται, μπορείτε να γράψετε εδώ τα στοιχεία της συσκευής σας και τον αριθμό τηλεφώνου της υπηρεσίας τεχνικής εξυπηρέτησης πελατών.

E-Nr.

FD-Nr.

Τμήμα εξυπηρέτησης πελατών ☎

Προσέξτε, ότι η επίσκεψη του τεχνικού του τμήματος εξυπηρέτησης πελατών στη περίπτωση ενός εσφαλμένου χειρισμού δεν είναι δωρεάν, ακόμα και κατά τη διάρκεια του χρόνου της εγγύησης.

Τα στοιχεία επικοινωνίας όλων των χωρών θα τα βρείτε στον πίνακα Υπηρεσίες τεχνικής εξυπηρέτησης πελατών που παραδίδεται μαζί.

Εντολή επισκευής και συμβουλές σε περίπτωση βλάβης

GR 18 182

χρέωση κλήσης προς εθνικά δίκτυα

Εμπιστευτείτε την εμπειρία του κατασκευαστή. Έτσι εξασφαλίζετε, ότι η επισκευή γίνεται από εκπαιδευμένους τεχνικούς του σέρβις, που είναι εξοπλισμένοι με τα γνήσια ανταλλακτικά για τη δική σας οικιακή συσκευή.

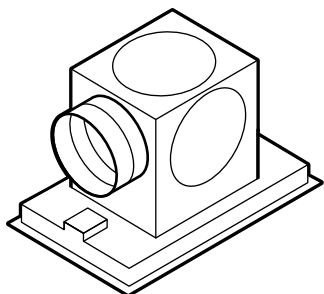
Εξαρτήματα

Ειδικά εξαρτήματα

Εξαρτήματα

Αριθμός παραγγελίας

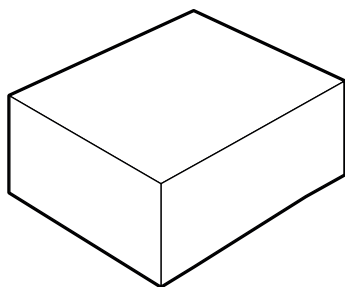
Μονάδας ανακυκλοφορίας αέρα
για AC402/462/472/482



Εξαρτήματα

Αριθμός παραγγελίας

Φίλτρο ενεργού άνθρακα για
AC402/462/472/482



Gaggenau Hausgeräte GmbH
Carl-Wery-Straße 34
81739 München
GERMANY
www.gaggenau.com

Valid within Great Britain:

Imported to Great Britain by

BSH Home Appliances Ltd.
Grand Union House
Old Wolverton Road
Wolverton, Milton Keynes
MK12 5PT
United Kingdom

GAGGENAU



9000961156 en, es, pt, el (981205)