

**Gaggenau**

Installation instructions.....2  
Notice de montage .....17  
Instrucciones de instalación.....34

# **VL 414 111 / AA 490 711**

Downdraft ventilation  
Aérateur de plan de cuisson  
Extractor de superficie

---

## Safety Definitions

---

---

### **WARNING**

---

This indicates that death or serious injuries may occur as a result of non-observance of this warning.

---

---

### **CAUTION**

---

This indicates that minor or moderate injuries may occur as a result of non-observance of this warning.

---

**NOTICE:** This indicates that damage to the appliance or property may occur as a result of non-compliance with this advisory.

**Note:** This alerts you to important information and/or tips.

# IMPORTANT SAFETY INSTRUCTIONS

## READ AND SAVE THESE INSTRUCTIONS

INSTALLER: LEAVE THESE INSTRUCTIONS WITH THE APPLIANCE AFTER INSTALLATION IS COMPLETE.

IMPORTANT: SAVE THESE INSTRUCTIONS FOR THE LOCAL ELECTRICAL INSPECTOR'S USE.

---

### WARNING

If the information in this manual is not followed exactly, fire or shock may result causing property damage or personal injury.

---

### WARNING

Do not repair, replace or remove any part of the appliance unless specifically recommended in the manuals. Improper installation, service or maintenance can cause injury or property damage. Refer to this manual for guidance. All other servicing should be done by an authorized servicer.

---

### WARNING

**WARNING – TO REDUCE THE RISK OF FIRE, ELECTRIC SHOCK, OR INJURY TO PERSONS, OBSERVE THE FOLLOWING:**

- Installation work and electrical wiring must be done by qualified person(s) in accordance with all applicable codes and standards, including fire-rated construction.
- Sufficient air is needed for proper combustion and exhausting of gases through the flue (chimney) of fuel burning equipment to prevent back drafting. Follow the heating equipment manufacturer's guideline and safety standards such as those published by the National Fire Protection Association (NFPA), and the American Society for Heating, Refrigeration and Air Conditioning Engineers (ASHRAE), and the local code authorities.
- When cutting or drilling into wall or ceiling, do not damage electrical wiring and other hidden utilities.
- Ducted fans must always be vented to the outdoors.

---

### WARNING

The applicable regulations of the energy supply companies and the regional construction regulations must be observed when installing the hood.

---

### WARNING

#### Risk of fire

Grease deposits in the grease filter can catch fire. Never work with a naked flame near the appliance (e.g. flambéing). Install the unit near a heat-producing appliance for solid fuels (e.g. wood or coal) only if there is a closed, non-detachable cover. There must be no flying sparks.

---

### WARNING

#### Risk of fire

Operating several gas burners at the same time gives rise to a great deal of heat. The ventilation appliance may become damaged or catch fire. The ventilation appliance must only be combined with gas burners that do not exceed the maximum total output of 61,000 BTU/hr (18 kW). If 41,000 BTU/hr (12 kW) is exceeded, the local regulations concerning room ventilation, room size, and combination with ventilation devices in exhaust and recirculating operation must be followed.

---

### WARNING

To reduce risk of fire and to properly exhaust air, be sure to duct air outside. Do not vent exhaust air into spaces within walls, ceilings, attics, crawl spaces or garages.

---

### WARNING

To reduce the risk of fire, use only metal ductwork.



# IMPORTANT SAFETY INSTRUCTIONS

READ AND SAVE THESE INSTRUCTIONS

---

## WARNING

---

When the hood is operated in exhaust-air mode simultaneously with a different burner which also makes use of the same chimney (such as gas, oil or coal-fired heaters, continuous-flow heaters, hot-water boilers) care must be taken to ensure that there is an adequate supply of fresh air which will be needed by the burner for combustion.

Safe operation is possible provided that the under pressure in the room where the burner is installed does not exceed 4 Pa (0.04 mbar).

This can be achieved if combustion air can flow through non-lockable openings, e.g. in doors, windows and via the air-intake/exhaust-air wall box or by other technical measures, such as reciprocal interlocking, etc.

---

---

## WARNING

---

Avoid carbon monoxide poisoning – Provide adequate air intake so combustion gases are not drawn back into the room.

An air-intake/exhaust-air wall box by itself is no guarantee that the limiting value will not be exceeded.

**Note:** When assessing the overall requirement, the combined ventilation system for the entire household must be taken into consideration. This rule does not apply to the use of cooking appliances, such as cooktops and ovens.

---

---

## CAUTION

---

For general ventilating use only. Do not use to exhaust hazardous or explosive materials and vapors.

---

## Appliance Handling Safety

Unit is heavy and requires at least two people or proper equipment to move.

Hidden surfaces may have sharp edges. Use caution when reaching behind or under appliance.

---

## WARNING

---

### Risk of injury

The appliance may fall from the wall if it is not attached properly. All fastening components must be fixed firmly and securely in place.

---

---

## WARNING

---

### Risk of tipping over

The appliance is very narrow and can tip over easily. Do not place appliance upright on the floor. Place the appliance flat on the floor.

---

## Safety Codes and Standards

This appliance complies with the latest version of one or more of the following standards:

- UL 507 - Electric Fans
- CAN/CSA C22.2 No. 113 - Fans and Ventilators

It is the responsibility of the installer to determine if additional requirements and/or standards apply to specific installations.

## Electric Safety

---

## WARNING

---

### GROUNDING INSTRUCTIONS

This appliance must be grounded. In the event of an electrical short circuit, grounding reduces the risk of electric shock by providing an escape wire for the electric current.

This appliance is equipped with a cord having a grounding wire with a grounding plug. The plug must be plugged into an outlet that is properly installed and grounded.

---

# IMPORTANT SAFETY INSTRUCTIONS

## READ AND SAVE THESE INSTRUCTIONS

---

### WARNING

---

Improper grounding can result in a risk of electric shock. Consult a qualified electrician if the grounding instructions are not completely understood, or if doubt exists as to whether the appliance is properly grounded. Do not use an extension cord. If the power supply cord is too short, have a qualified electrician install an outlet near the appliance.

---

---

### WARNING

---

Before you plug in an electrical cord or turn on power supply, make sure all controls are in the OFF position.

---

For appliances equipped with a cord and plug, do not cut or remove the ground prong. It must be plugged into a matching grounding type receptacle to avoid electrical shock. If there is any doubt as to whether the wall receptacle is properly grounded, the customer should have it checked by a qualified electrician.

If required by the National Electrical Code (or Canadian Electrical Code), this appliance must be installed on a separate branch circuit.

---

### WARNING

---

To reduce the risk of fire or electric shock, do not use this fan with any solid-state speed control device.

---

Installer – show the owner the location of the circuit breaker or fuse. Mark it for easy reference.

Before installing, turn power OFF at the service panel. Lock service panel to prevent power from being turned ON accidentally.

---

### WARNING

---

TO REDUCE THE RISK OF FIRE, ELECTRIC SHOCK, OR INJURY TO PERSONS, OBSERVE THE FOLLOWING:

- Use this unit only in the manner intended by the manufacturer. If you have questions, contact the manufacturer.
  - Before servicing or cleaning unit, switch power off at service panel and lock the service disconnecting means to prevent power from being switched on accidentally.  
When the service disconnecting means cannot be locked, securely fasten a prominent warning device, such as a tag, to the service panel.
- 

Be sure your appliance is properly installed and grounded by a qualified technician. Installation, electrical connections and grounding must comply with all applicable codes.

---

### WARNING

---

#### **Risk of electric shock**

Parts inside the appliance can have sharp edges. The connection cable can be damaged. Do not bend or pinch connection cables during installation.

---

## Related Equipment Safety

Remove all tape and packaging before using the appliance. Destroy the packaging after unpacking the appliance. Never allow children to play with packaging material.

The appliance should only be used if installed by a qualified technician in accordance with these installation instructions. The manufacturer is not responsible for any damage resulting from incorrect installation.

Never modify or alter the construction of the appliance. For example, do not remove leveling legs, panels, wire covers or anti-tip brackets/screws.

## State of California Proposition 65

### Warnings:

---

#### WARNING

---

This product can expose you to chemicals including vinyl chloride, which is known to the State of California to cause cancer and birth defects or other reproductive harm. For more information go to [www.P65Warnings.ca.gov](http://www.P65Warnings.ca.gov).

---

---

## General Notes

---

### Exhaust air mode

**Note:** Ventilation may not exit through an already operational smoke or exhaust chimney, nor a duct used for ventilating furnace installation areas.

- If the ventilation is intended to pass through a smoke or exhaust chimney that is not in operation, the responsible area heating inspector must give approval.
- If the ventilation passes through an external wall, use a telescope wall sleeve.

### Ventilation line

**Note:** The appliance manufacturer does not assume any warranty for complaints attributable to the duct section.

- The appliance achieves its optimum performance by means of a short, straight exhaust air duct and as large a duct diameter as possible.
- As a result of long rough exhaust air ducts, many duct bends or duct diameters that are smaller than 6" (150 mm), the optimum extraction performance is not achieved and fan noise is increased.
- The ducts or hoses for laying the exhaust air line must be made of non-combustible material.
- Use sealing strip for deviating duct diameters.

## Electrical connection

### **⚠ WARNING**

#### **Risk of electric shock**

Parts inside the appliance can have sharp edges. The connection cable can be damaged. Do not bend or pinch connection cables during installation.

Check your domestic installation before installing the appliance. Pay attention to suitable fusing of your domestic installation. The voltage and frequency of the appliance must agree with the electrical installation (see rating plate).

The appliance complies with protective class I and may only be operated with a PE conductor connection.

The installation must contain a disconnecter with a contact opening of at least  $\frac{1}{8}$ " (3 mm) that isolates all poles from the mains. It must still be accessible after installation.

Only an electrical specialist may lay or replace the connecting lead, paying attention to the applicable regulations.

If the mains connecting lead of this appliance is damaged, it must be replaced with a special connecting lead, which is obtainable from the manufacturer or the manufacturer's after-sales service.

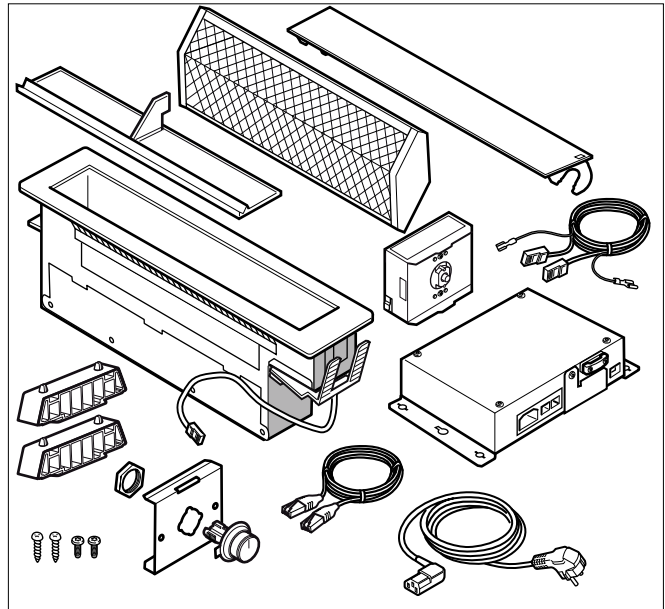
## Before you begin

### Tools and parts needed

- Screwdriver Torx T20
- Pencil
- Drill with  $\frac{1}{4}$ " (6 mm) bit
- Jigsaw
- Tape Measure

**Note:** Additional materials may be necessary for installation in solid surface countertops. Contact the countertop manufacturer.

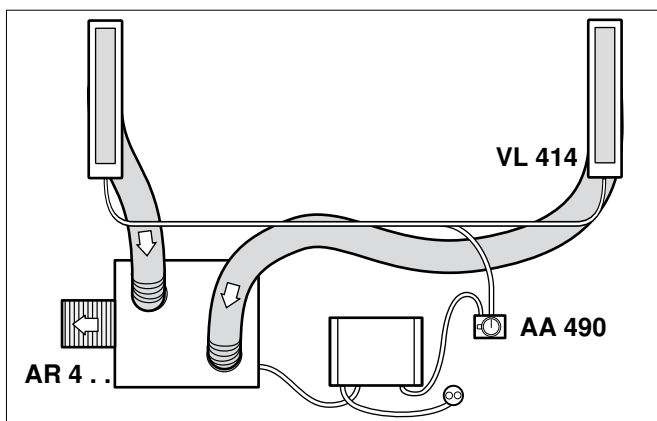
### Parts included



## Installation accessories

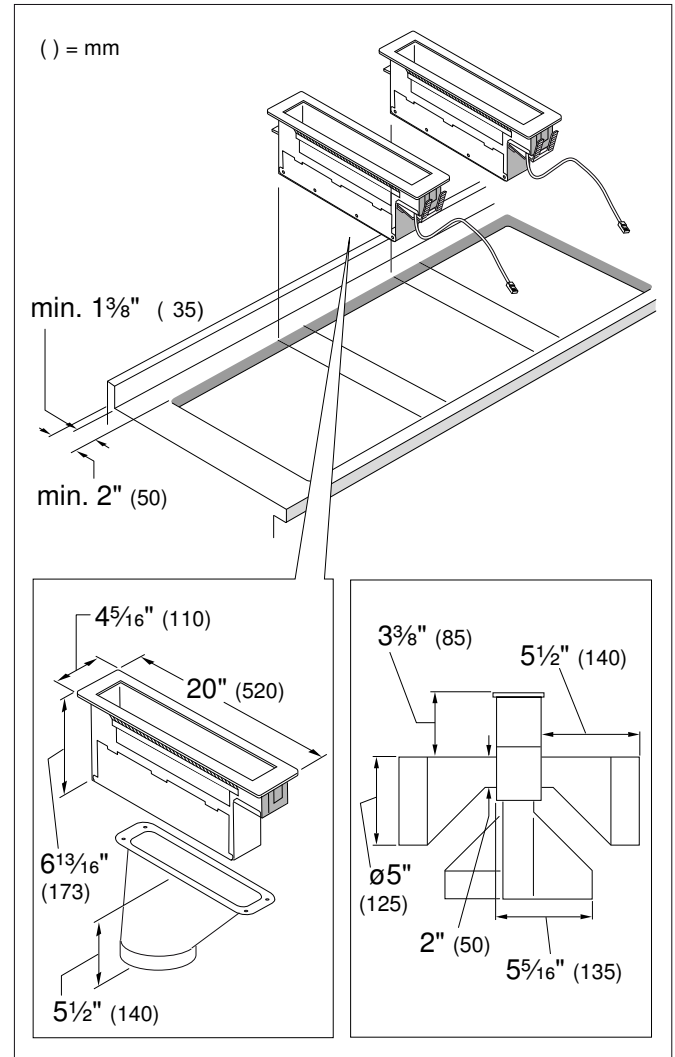
VA 420 000	Connection strip for combination with other Vario appliances in the 400 series for flush installation
VA 420 001	Connection strip for combination with other Vario appliances in the 400 series for flush installation with appliance cover/compensation strip
VA 420 010	Connection strip for combination with other Vario appliances in the 400 series for surface-mounted installation
VA 420 011	Connection strip for combination with other Vario appliances in the 400 series for surface-mounted installation with appliance cover/compensation strip
VA 450 110	11 cm compensation strip for depth compensation when using several Vario appliances
AD 724 040	Connection piece for round duct DN 125 mm For side connection to VL, additional adapter plate AD 724 041 is required
AD 724 041	Adapter plate for side connection from AD 724 040 to VL
AS 070 001	Connection piece for extending when installing beside VK or VF

## Installation schematic



## Appliance dimensions

To achieve optimum extraction performance, the maximum width of one single cooktop between two ventilation elements should be  $23 \frac{5}{8}$ " (60 cm).





## Prepare Installation Space

The kitchen unit must be heat-resistant to at least 200° F (90° C). The stability of the unit must be maintained after producing the cut-out.

Produce the cut-out in the countertop for one or more Vario appliances as shown in the installation sketch. The angle between the cut surface and the countertop must be 90°.

The cut edges at the sides must be flat to ensure a good fit of the retaining springs on the appliance. In laminated worktops, it may be necessary to fit strips at the sides of the cut-out.

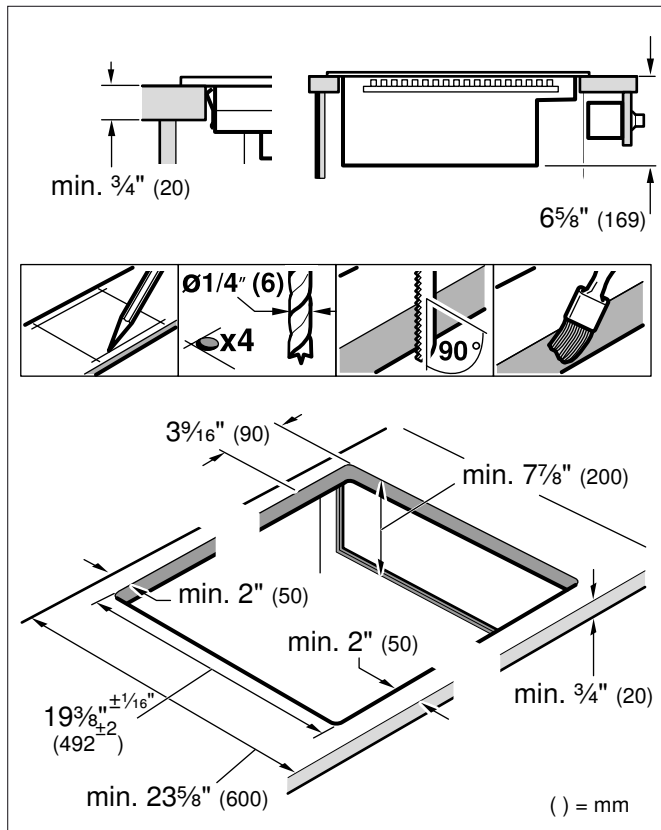
Remove shavings after cutting. Seal cut surfaces for resistance to heat and so they are watertight.

Pay attention to a minimum gap of 3/8" (10 mm) from the underside of the appliance to kitchen units.

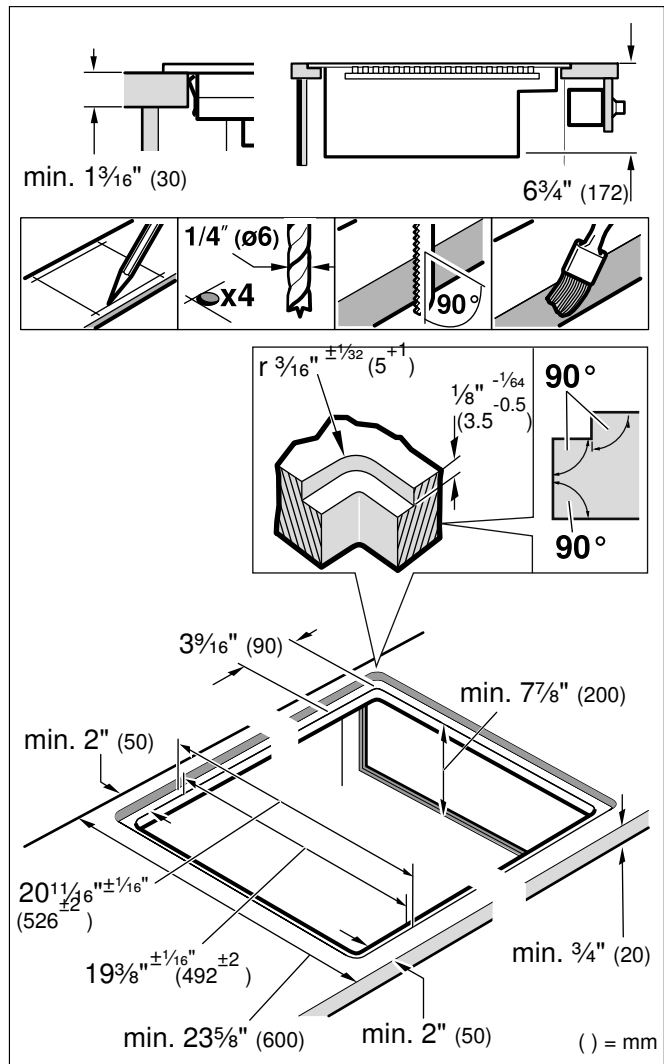
Use suitable base constructions to ensure load-carrying capacity and stability, especially in the case of thin countertops. Pay attention to the weight of the appliance, including any payload. Reinforcement material used must be resistant to heat and moisture.

**Note:** Wait until the appliance has been installed in the installation opening before checking that it is level.

## Cutting out countertop



**Flush mounting:** Flush mounting into a countertop is possible.



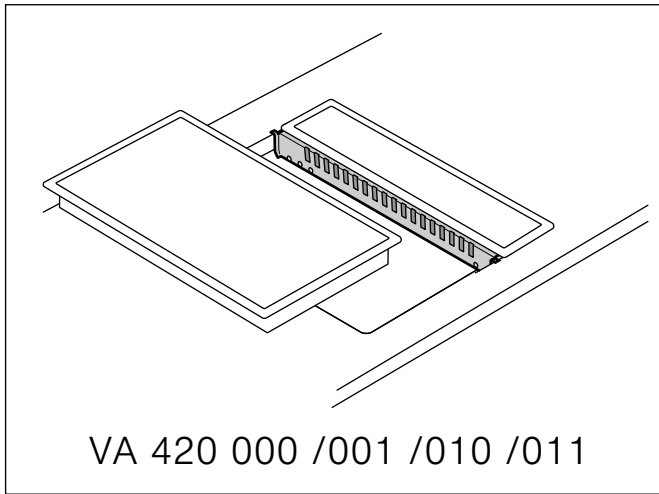
**Flush installation:** The appliance can be installed in the following temperature- and water-resistant countertops:

- Stone countertops
- Plastic countertops (such as Corian®)
- Solid wood countertops: Only in consultation with the manufacturer of the countertop (seal cut-out edges)
- Installation in other countertops only in consultation with the manufacturer of the countertop.

Installation in countertops made of particleboard is not possible.

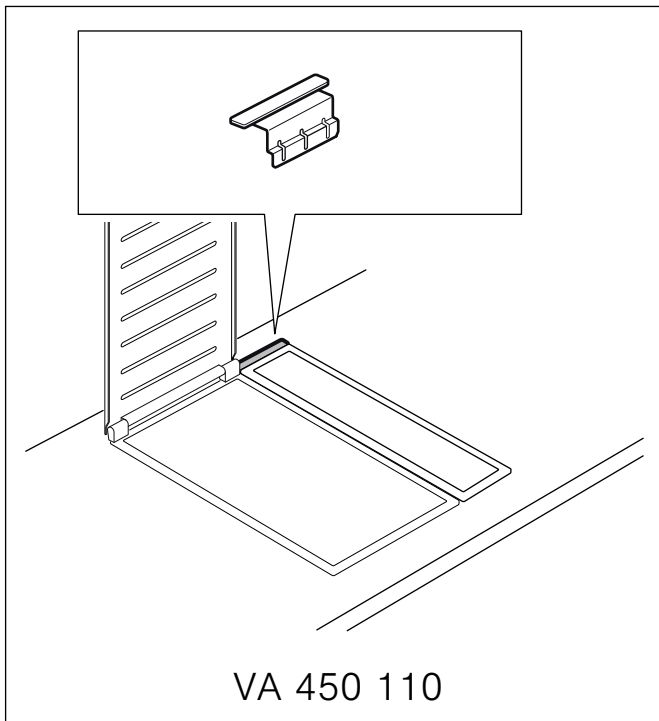
**Note:** Any cut-out work on the countertop must be performed in a workshop according to the installation diagram. The cut-out must be made cleanly and precisely since the cut-out edge is visible on the surface. Clean and degrease the cut-out edges with a suitable cleaning agent (bear in mind silicone manufacturer's processing instructions).

**Combining several Vario devices:** The connecting strip VA 420 000/001/010/011 is required for the combination of several Vario appliances. This is available separately as a special accessory. Consider additional space requirement for the connecting strip between the appliances when making the cut-out (see installation instructions VA 420 000/001/010/011).



Appliances can also be installed in individual cut-outs, bearing in mind a minimum distance between the devices of 2" (51 mm).

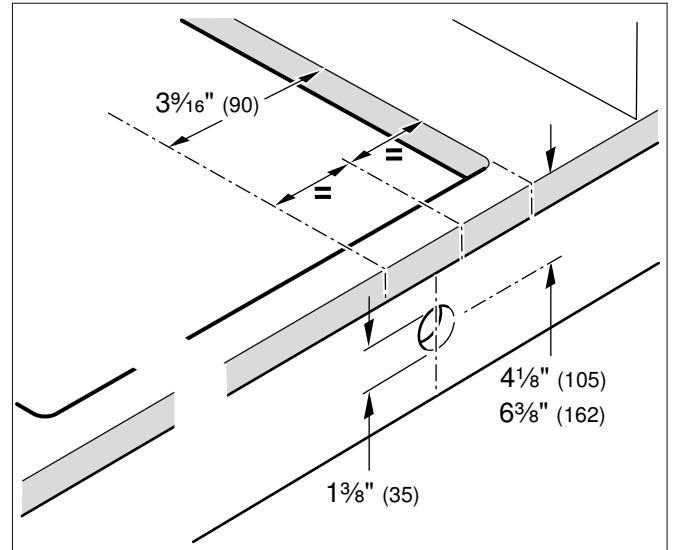
When combining several appliances with or without appliance cover, you can use the appliance extensions VA 450 110/-401/-600/-800/-900 (depending on appliance width) to balance out dimension differences.



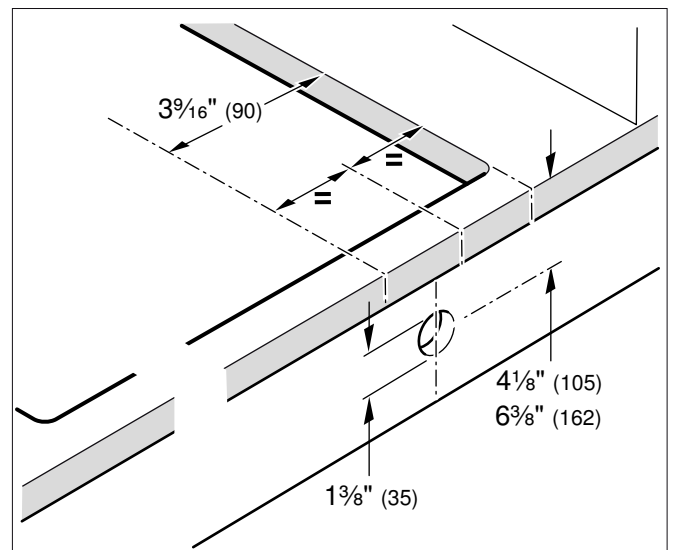
## Hole for control knobs

The built-in control panel can be integrated in the bottom cupboard at drawer level. Panel thickness:  $\frac{5}{8}$ " - 1" (16 - 26 mm)

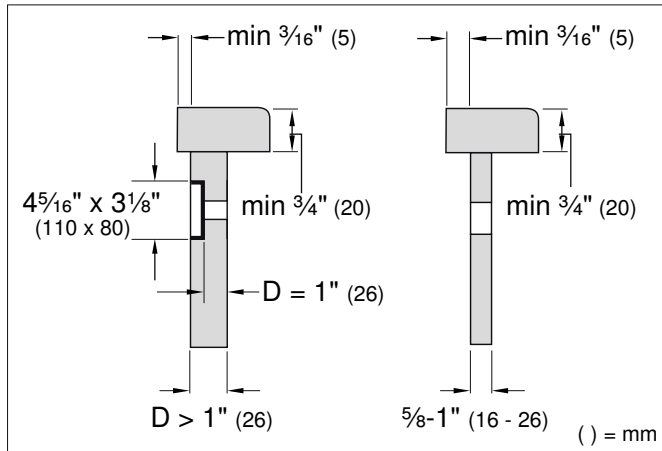
- 1 As shown in the figure, produce the  $\text{Ø } 1 \frac{3}{8}$ " (35 mm) holes for fastening the control knobs in the front of the bottom cupboard. A drilling template is provided for exact positioning of the drill holes.



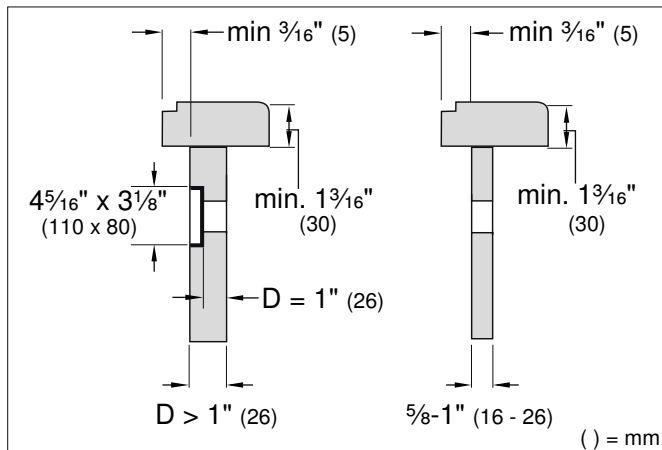
For flush installation:



- 2 If the front panel is more than 1" (26 mm) thick: mill out the rear of the front panel so that it is no thicker than 1" (26 mm). Choose the dimensions of the milled recess according to the control panel.



For flush installation:

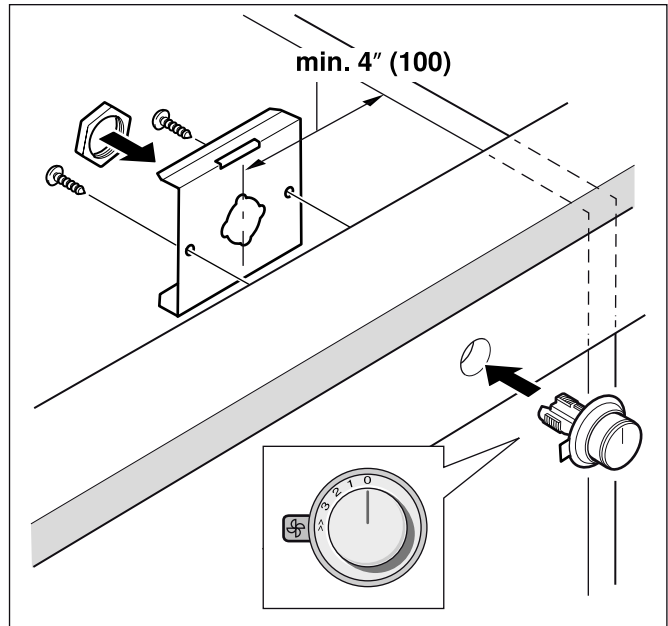


## Installation Procedure

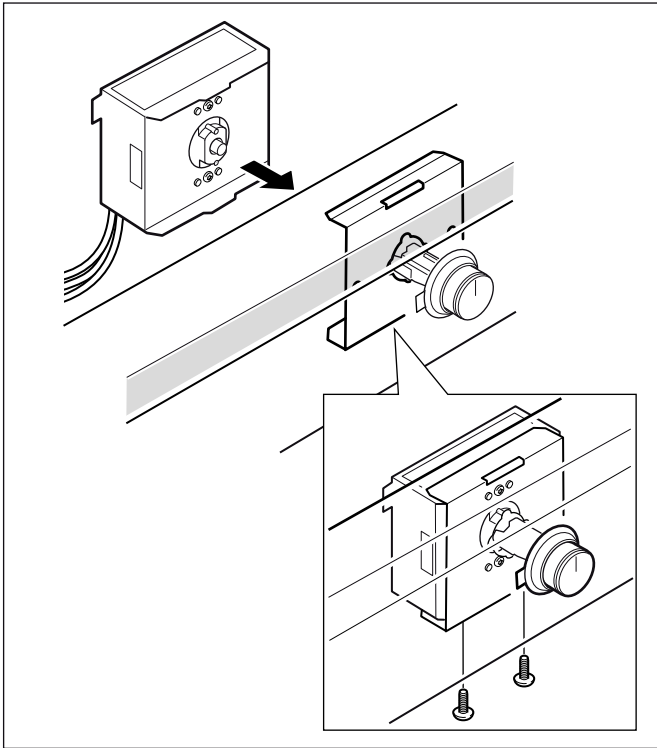
### Installation of control console

**Note:** Only install the appliance in conjunction with the corresponding control console.

- 1 Remove the packaging of the control knobs and the protective film from the light rings.
- 2 Hold the bracket against the front panel from the rear. Insert the control knob in the holes from the front and screw it down it from the rear with the nut.



- 3 Using the screws included, bolt down the control panel on the bracket.



**CAUTION**

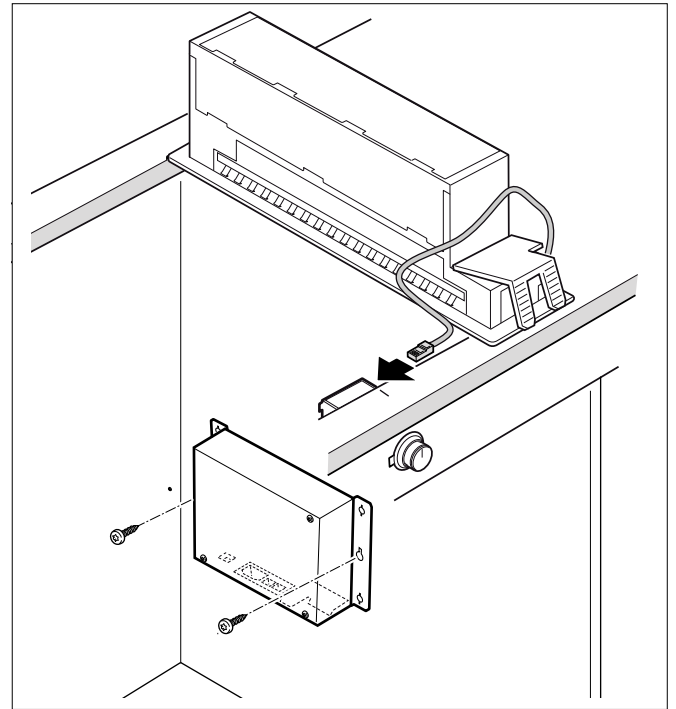
Appliance damage! Establish equipotential bonding. Before the control cables may be plugged onto the control panel, the stranded grounding wire from the control unit must be fitted on the control panel.

## Install Appliance

**WARNING**

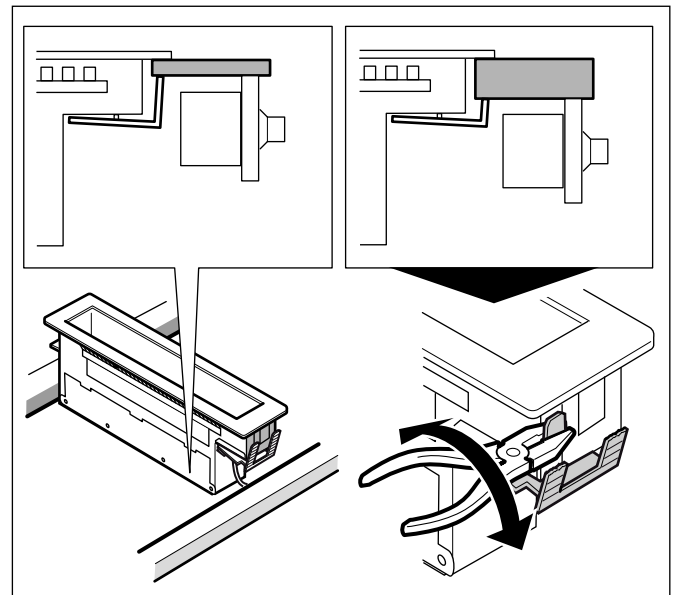
Before you plug in an electrical cord or turn on power supply, make sure all controls are in the OFF position.

- 1 Plug the control cable into the socket on the control desk. The plug must snap into place.



- 2 Shorten the front clamp relative to the countertop thickness. Break the metal sheets off at the predetermined breaking points.

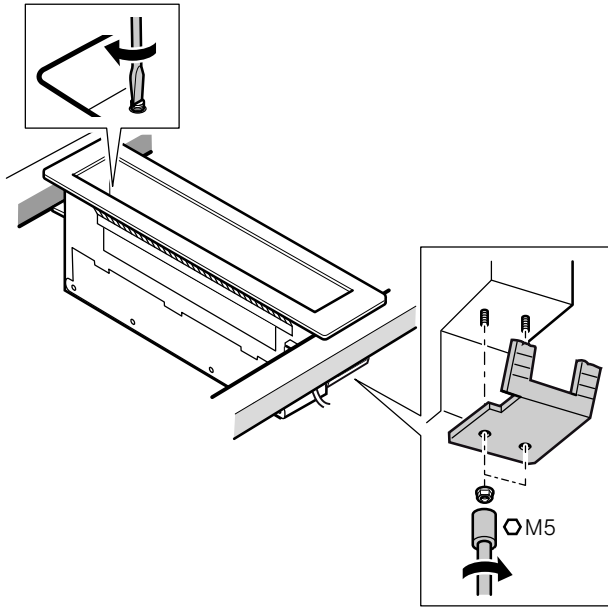
**Note:** Make sure that you do not shorten it too much, the clamping effect to the countertop must be guaranteed.



Insert and align the appliance in the cutout horizontally. Tighten the rear clamp using the screw inside the appliance. Tighten the front clamp from below.

**Notes**

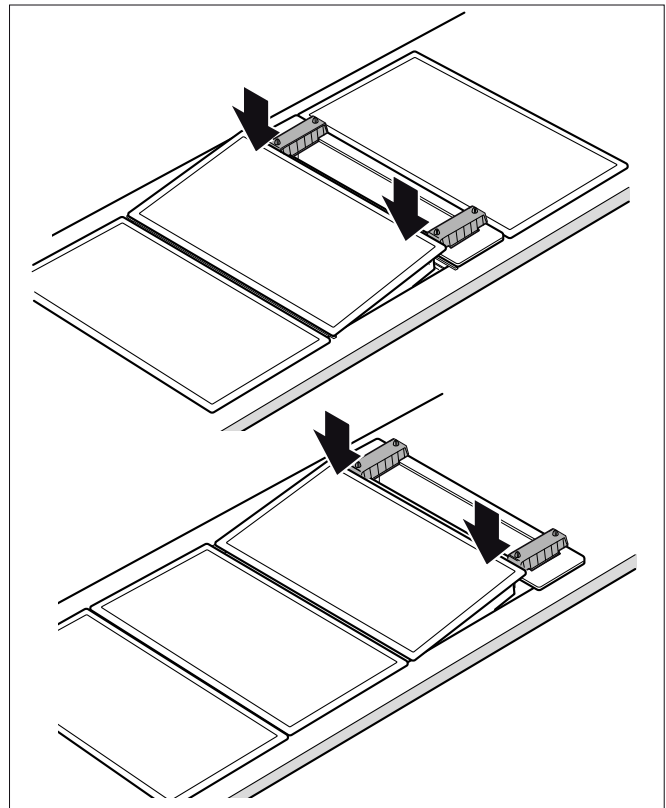
- Do not overtighten the clamps, ensure that there is a uniform seal gap on all sides.
- The rear clamp pivots out on its own during tightening.
- The appliance must not be bonded to the countertop with silicone.



**3** Use the installation aid. Horizontally insert the downdraft ventilation unit in the recess and align it. Remove the sealing element. Insert the installation aid at an angle into the ventilation recess and align it vertically to the appliance. Position the appliance at an angle in front of the downdraft ventilation unit and press it into the recess via the installation aid. Remove the installation aid. Fasten the downdraft ventilation unit as described above.

**Notes**

- You must use the included installation aid if the downdraft ventilation unit is in a combination with several Vario appliances in the last or last but one position.
- The installation aid protects the appliance edges from damage.

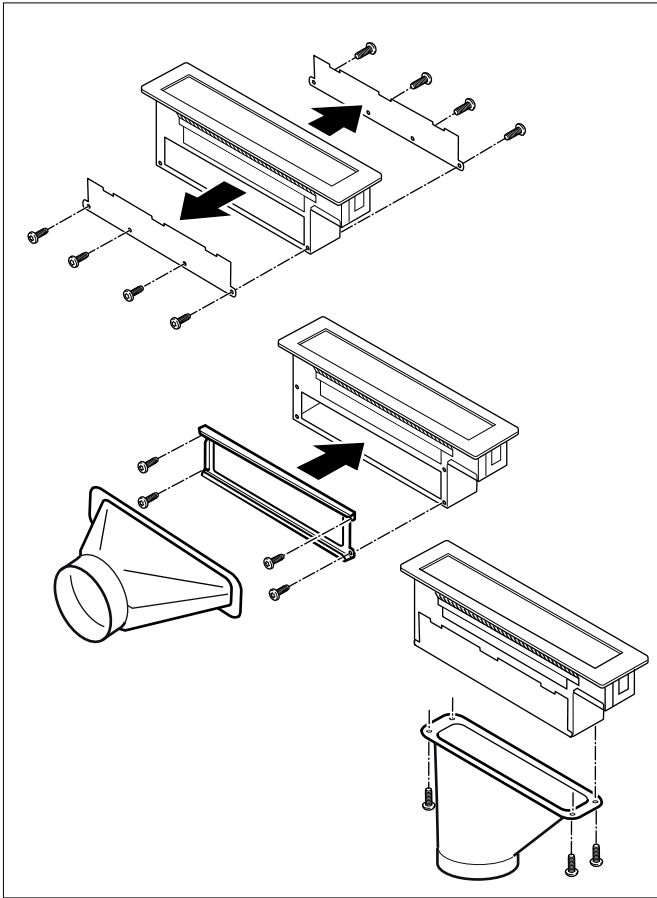


**4** Fit the connection piece in the required position.

**Notes**

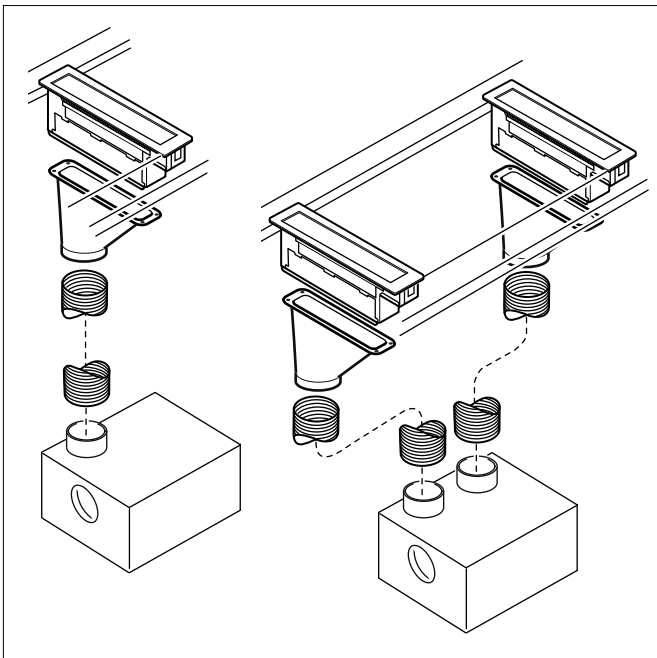
- Depending on the installation situation, the exhaust air can be guided in three different directions.
- Corresponding to the space conditions, the connection piece can be turned by 180°.

- For details of exhaust air guidance, also refer to the instructions for the remote fan unit.



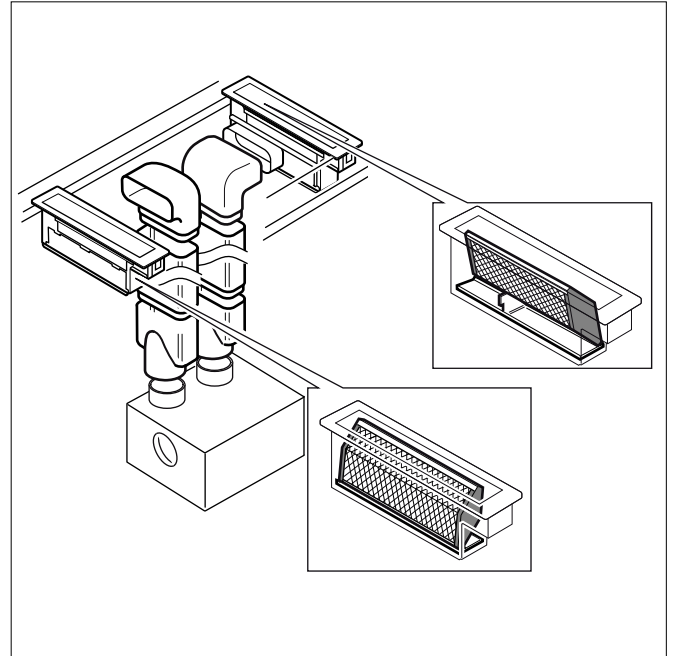
- 5** Secure the exhaust air pipe to the connecting pieces and seal appropriately..

**Note:** If you use an aluminium pipe, smooth the connection area beforehand.

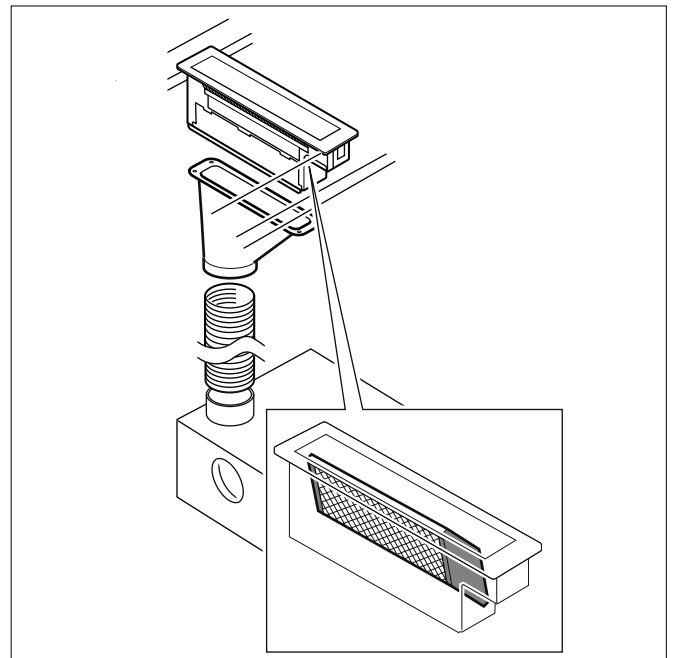


- 6** Fit the grease filter:

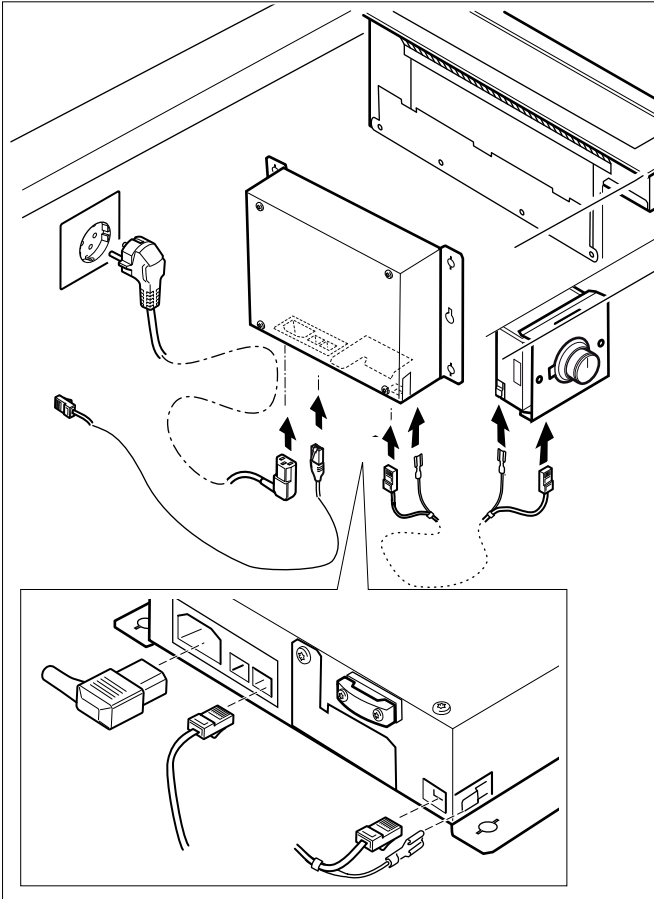
The positioning plate is used to correctly position the grease filter near the side air outlet. Place the positioning plate in the ventilation element so that the central angle is facing the air outlet. Place the grease filter on the positioning plate.



For downwards air outlet, place the grease filter without the positioning plate in the ventilation element. The alignment of the grease filter does not matter.



- 7 Plug the control cable of the control unit into the socket on the control desk. Connect the control unit and the fan module with the control cable. All plugs must snap into place. Connect the control unit and fan module to the mains and check that they work correctly. If the appliance does not work, check that the connection cable is positioned correctly.



- 8 **Flush installation only: it is imperative to test functioning before jointing!** Joint the surrounding gap with a suitable, temperature-resistant silicone adhesive (such as OTTOSEAL® S 70). Smoothen the seal joint with smoothing agent recommended by the manufacturer. Observe the notes on processing the silicone adhesive. Do not operate the appliance until the silicone adhesive has dried completely (at least 24 hours, depending on room temperature).

**NOTICE:** Unsuitable silicone adhesive used on natural stone worktops will cause permanent discoloration.

## Connect Electrical Supply

### ⚠ WARNING

#### Risk of electric shock

Parts inside the appliance can have sharp edges. The connection cable can be damaged. Do not bend or pinch connection cables during installation.

Refer to data plate for more information. See "Service" for data plate location.

The branch-circuit breakers ampacity, the wire sizes and the connections must conform to the requirements of the National Electrical Code or Canadian Electrical Code and all local codes and ordinances.

#### This appliance is connected with a plug

- Plug has to be conform with NEMA CONFIGURATIONS FOR PLUGS AND RECEPTACLES.
- The appliance must be properly grounded.
- Plug must be rated not less than type 6-20 P (2-pole 3-wire grounding).
- Only a qualified electrician should connect the plug.
- Install a socket outlet earthed in accordance with regulations approx. 27" (700 mm) above the floor behind the appliance. The socket outlet must still be accessible after installation.

## Ventilation molding

If downdraft ventilation is used next to a gas appliance, a ventilation molding AA 414 010 must be fitted on the gas appliance during cooking. The ventilation molding improves extraction when using gas appliances. The ventilation molding prevents extinction of small flames due to the draft.

AA 414 010 Ventilation molding, for operation next to the VG 414/415/424/425 gas appliance

## Removing appliance

Disconnect the appliance from the power supply. For flush-mounted appliances, remove the silicone joint. Push out the appliance from below.

### ⚠ CAUTION

Damage to appliance! Don't lever device out from above at the frame.

---

## Connection for window contact switch AA 400 510

---

Work on the connection for the window contact switch must only be carried out by a qualified electrician in accordance with the requirements and standards of the country in which the appliance is being used.

The appliance has a connection (X17) for a window contact switch. The window contact switch can be flush mounted or surface mounted. You will receive the window contact switch AA 400 510 separately as an accessory. Please observe the installation instructions enclosed with the window contact switch.

If a window contact switch is connected, the extractor hood's ventilation system will only work with the window open. The lighting will work even if the window is closed.

If you switch on the ventilation system with the window closed, the button for the ventilation setting you have selected will flash, and the ventilation system will not switch on.

If you close the window while the ventilation system is on, the appliance will switch the ventilation system off within 5 seconds. The button for the ventilation setting you have selected will flash.

The entire ventilation network and window contact switch must be assessed by a master chimney sweep.

---

## Customer Service

---

If your appliance needs repairs, our customer service is there for you. We work hard to help solve problems quickly and without unnecessary service calls, getting your appliance back up and running correctly in the least amount of time possible.

When you call, please indicate the product number (E-Nr.) and serial number (FD-Nr.) so that we can support you in a qualified manner. You will find the type plate with these numbers on the bottom of the appliance. To avoid having to search for a long time when you need it, you can enter your appliance data and the customer support telephone number here.

---

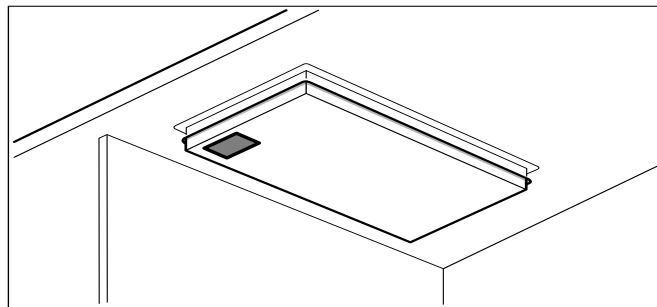
E-Nr.	FD-Nr.
-------	--------

---

**Customer Service** ☎

---

Please read the installation instructions and use and care instructions provided with your appliance. Failure to do so may result in an error in using the appliance. This could result in a service call that instead of fixing a mechanical issue is only needed for customer education. Such calls are not covered by the appliance warranty.



Please find the contact data of all countries in the enclosed customer service list.

### To book an engineer visit and product advice

**USA**            877 442 4436  
toll-free

**CANADA**       877 442 4436  
toll-free

You can rely on the manufacturer's expertise. Rest assured that the repair will be handled by trained service technicians who have the original replacement parts for your appliance.



---

## Définitions de sécurité

---

---

### AVERTISSEMENT

---

Ceci indique que le non-respect de cet avertissement peut entraîner des blessures graves, voire la mort.

---

---

### ATTENTION

---

Ceci indique que le non-respect de cet avertissement peut entraîner des blessures légères ou de gravité moyenne.

---

**AVIS :** Ceci indique que la non-conformité à cet avis de sécurité peut entraîner des dégâts matériels ou endommager l'appareil.

**Remarque :** Ceci vous signale des informations et/ou indications importantes.

# **CONSIGNES DE SÉCURITÉ IMPORTANTES**

## LIRE ET CONSERVER CES INSTRUCTIONS

INSTALLATEUR : LAISSEZ CES INSTRUCTIONS AVEC L'APPAREIL APRÈS UNE FOIS L'INSTALLATION TERMINÉE.

IMPORTANT : CONSERVER CES INSTRUCTIONS POUR L'USAGE DE L'INSPECTEUR ÉLECTRIQUE LOCAL.

---

### AVERTISSEMENT

Si l'information de ce guide n'est pas suivie exactement, il peut en résulter un incendie ou un choc électrique causant des dommages à la propriété, des blessures ou la mort.

---

### AVERTISSEMENT

Ne réparez, remplacez, ni ne retirez aucune partie de l'appareil, excepté si les manuels recommandent de le faire. Une installation, un entretien ou une inspection incorrects peuvent occasionner des blessures ou des dommages matériels. Reportez-vous au présent manuel pour obtenir des indications. Toute autre intervention doit être effectuée par un technicien agréé.

---

### AVERTISSEMENT

ATTENTION – AFIN DE RÉDUIRE LES RISQUES D'INCENDIE, DE CHOC ÉLECTRIQUE OU DE BLESSURES CORPORELLES, VEUILLEZ SUIVRE LES INSTRUCTIONS SUIVANTES :

- Les travaux d'installation et de raccordement électrique doivent être effectués par une personne qualifiée, conformément aux codes et standards de construction, y compris ceux concernant le feu.
- Assurez-vous que l'aération est suffisante pour permettre la combustion et l'évacuation des gaz par le conduit de cheminée d'un appareil à combustible afin de prévenir le refoulement d'air. Respectez les instructions du fabricant de l'appareil de chauffage et les normes de sécurité, comme celles publiées par la National Fire Protection Association (NFPA) et par la American Society for Heating, Refrigeration and Air Conditioning Engineers (ASHRAE), ainsi que par les autorités locales.
- Lorsque vous faites une ouverture dans un mur ou un plafond, veillez à ne pas endommager les fils électriques ou les conduites qui y sont dissimulés.
- Les soufflantes canalisées doivent donner sur l'extérieur.

---

### AVERTISSEMENT

Pour l'installation de la hotte, vous devez respecter tous les règlements des entreprises de distribution d'électricité et de construction régionaux applicables.

---

### AVERTISSEMENT

#### Risque d'incendie

Les dépôts se trouvant dans le filtre à graisse peuvent s'enflammer. Ne jamais cuisiner à proximité de l'appareil avec une flamme ouverte (par exemple pour faire flamber). Installer l'appareil près d'un foyer pour combustibles solides (bois ou charbon par exemple) seulement s'il y a un couvercle fermé et non amovible. Il ne faut pas qu'il se produise de projection d'étincelles.

---

### AVERTISSEMENT

#### Risque d'incendie

Le fonctionnement simultané de plusieurs feux gaz engendre une forte production de chaleur. Le cas échéant, l'appareil de ventilation peut être endommagé ou s'enflammer. L'appareil de ventilation doit uniquement être combiné avec des feux gaz dont la puissance totale maximale ne dépasse pas 61,000 BTU/hr (18 kW). Si la puissance maximale dépasse 41,000 BTU/hr (12 kW), les prescriptions locales en matière de ventilation, de volume de la pièce et de combinaison avec des appareils de ventilation en mode aspiration ou ventilation doivent être observées.

---

### AVERTISSEMENT

Pour réduire le risque de feu et pour évacuer correctement l'air, évacuez l'air vers l'extérieur. N'évacuez pas l'air dans les murs, les plafonds, les greniers, les vides sanitaires ou les garages.

---

### AVERTISSEMENT

Pour réduire les risques de feu, utiliser uniquement des gaines en métal.

# CONSIGNES DE SÉCURITÉ IMPORTANTES

## LIRE ET CONSERVER CES INSTRUCTIONS

---

### AVERTISSEMENT

---

Lorsque la hotte aspirante est utilisée en mode d'évacuation d'air simultanément avec un brûleur différent utilisant également la même cheminée, (tels des appareils de chauffage au gaz, à l'huile ou au charbon, des chauffe-eau instantanés ou des chaudières à eau chaude), veillez à ce que l'apport d'air frais soit suffisant pour assurer la combustion adéquate du brûleur.

Un fonctionnement sans risque est possible si la sous-pression dans la pièce où le brûleur est installé ne dépasse pas 4 Pa (0,04 mbar).

On peut y parvenir en acheminant l'air requis pour la combustion à travers des ouvertures non verrouillables, par exemple dans les portes et fenêtres, et en association avec des boîtiers muraux d'admission/d'évacuation d'air fixées au mur ou grâce à d'autres mesures techniques telles qu'un verrouillage réciproque, etc.

---

---

### AVERTISSEMENT

---

Évitez l'intoxication au monoxyde de carbone. – Prévoyez une admission d'air adéquate pour empêcher l'aspiration des gaz de combustion dans la pièce. Un boîtier mural air d'admission/air d'échappement ne peut garantir que la valeur limite ne sera pas dépassée.

**Remarque :** Lorsque vous évaluez les exigences globales, vous devez tenir compte du système combiné d'aération de la maison au complet. Cette règle ne s'applique pas aux appareils de cuisson, comme les surfaces de cuisson et les fours.

---

---

### ATTENTION

---

Appareil conçu exclusivement pour la ventilation générale. Ne pas utiliser pour évacuer des matières et vapeurs dangereuses ou explosives.

---

## Sécurité de manutention des appareils

Cet appareil est lourd et il faut au moins deux personnes ou l'équipement approprié pour le déplacer.

Certaines surfaces peuvent avoir des bords tranchants. Faire attention en étendant le bras derrière l'appareil ou en dessous.

---

### AVERTISSEMENT

---

#### Risque de blessure

Si l'appareil n'est pas correctement fixé au mur, il risque de tomber. Tous les éléments de fixation doivent être montés solidement et de façon sûre.

---

---

### AVERTISSEMENT

---

#### Risque de basculement

L'appareil est très étroit et peut basculer facilement. Ne pas poser l'appareil à la verticale sur le sol. Poser l'appareil à plat sur le sol.

---

## Codes et normes de sécurité

Cet appareil est conforme aux plus récentes versions de l'une ou plus des normes suivantes :

- UL 507 - Ventilateurs électrique (Electric Fans)
- CAN/CSA C22.2 No. 113 - Ventilateurs et soufflantes (Fans and Ventilators)

Il incombe à l'installateur de déterminer si des exigences et/ou normes additionnelles s'appliquent pour des installations spécifiques.

## Sécurité électrique

---

### AVERTISSEMENT

---

#### INSTRUCTIONS DE MISE À LA TERRE

Cet appareil doit être mis à la terre. En cas de court-circuit électrique, la mise à la terre réduira le risque de choc électrique en offrant au courant électrique un fil d'évacuation.

Cet appareil est muni d'un cordon électrique comportant un conducteur de terre et une prise de mise à la terre. La fiche doit être branchée dans une prise qui a été installée et mise à la terre de façon appropriée.

---



# CONSIGNES DE SÉCURITÉ IMPORTANTES

LIRE ET CONSERVER CES INSTRUCTIONS

---

## AVERTISSEMENT

Une mise à la terre inadéquate peut entraîner un risque de choc électrique. Consultez un électricien qualifié si vous ne comprenez pas parfaitement les instructions de mise à la terre ou si vous avez des doutes quant à la qualité de la mise à la terre. N'utilisez pas de rallonge. Si le cordon d'alimentation est trop court, demandez à un électricien d'installer une prise à proximité de l'appareil. .

---

## AVERTISSEMENT

Avant tout raccordement de cordon électrique ou toute mise sous tension, assurez-vous que toutes les commandes sont en position OFF (d'arrêt).

Pour les appareils dotés d'un cordon et d'une fiche, ne pas couper ou enlever la broche de mise à la terre. Le cordon doit être branché dans une prise de courant adaptée de type mise à la terre pour éviter tout risque d'électrocution. S'il y a un doute en ce qui concerne la mise à la terre de la prise murale, le client devra s'adresser à un électricien qualifié.

S'il y a lieu, conformément au Code national de l'électricité (ou au Code canadien de l'électricité), cet appareil doit être installé sur un circuit de dérivation séparé.

---

## AVERTISSEMENT

Pour réduire le risque de feu ou de choc électrique, ne pas utiliser cet aérateur avec un variateur de vitesse à semi-conducteur.

Installateur – Indiquer au propriétaire l'emplacement du disjoncteur ou du fusible. Identifier sa position pour pouvoir le retrouver facilement.

Avant l'installation, mettre l'appareil hors service au panneau de service. Verrouiller le panneau d'entrée d'électricité pour éviter que le courant ne soit accidentellement rétabli.

---

## AVERTISSEMENT

AFIN DE RÉDUIRE LES RISQUES D'INCENDIE, DE CHOC ÉLECTRIQUE OU DE BLESSURES CORPORELLES, VEUILLEZ SUIVRE LES INSTRUCTIONS SUIVANTES :

- Utilisez cet appareil seulement de manière conforme à l'usage prévu par le fabricant. Si vous avez des questions, contactez le fabricant.
- Avant le nettoyage ou l'entretien de l'appareil, mettez-le hors tension sur le tableau électrique et verrouillez les dispositifs de sectionnement afin d'empêcher toute remise sous tension accidentelle. S'il est impossible de verrouiller les dispositifs de sectionnement, fixez de manière sûre au tableau électrique un dispositif d'alerte bien visible, par exemple une étiquette.

S'assurer que l'appareil est installé et mis à la terre par un technicien qualifié. L'installation, les connexions électriques et la mise à la terre doivent être conformes à tous les codes applicables.

---

## AVERTISSEMENT

### Risque de choc électrique

Les pièces se trouvant dans l'appareil peuvent présenter des arêtes vives. Le cordon de branchement peut être endommagé. Ne pas couder ni coincer le cordon de branchement pendant la pose.

---

## Équipement de sécurité

Enlever le ruban adhésif et l'emballage avant d'utiliser l'appareil. Détruire l'emballage après avoir déballé l'appareil. Ne jamais laisser les enfants jouer avec les matériaux de conditionnement.

Utilisez uniquement l'appareil électroménager s'il a été installé par un technicien qualifié conformément aux présentes instructions d'installation. Le fabricant ne peut pas être tenu responsable de tous dommages causés par une installation inadéquate.

Ne jamais modifier ni altérer la configuration de l'appareil. Par exemple, ne pas retirer les pieds de nivellement, les panneaux, les couvercles de câblage ou les fixations/vis antibasculement.

# **CONSIGNES DE SÉCURITÉ IMPORTANTES**

LIRE ET CONSERVER CES INSTRUCTIONS

## **Avertissement issue de la proposition 65 de l'État de la Californie :**

---

### **AVERTISSEMENT**

---

Ce produit peut vous exposer à des produits chimiques, comme du chlorure de vinyle, reconnu par l'État de la Californie comme causant le cancer, des malformations congénitales ou d'autres effets nocifs sur la reproduction. Pour de plus amples renseignements, consultez [www.P65Warnings.ca.gov](http://www.P65Warnings.ca.gov).

---

### Mode évacuation

**Remarque :** Il ne faut pas rejeter l'air usé dans une cheminée d'évacuation en service, ni dans un conduit servant à la ventilation de pièces où sont installés des foyers.

- Pour rejeter l'air dans un conduit de fumées qui n'est pas en service, il faut demander l'accord du maître ramoneur compétent.
- Si l'air est évacué à travers le mur extérieur de l'habitation, il faut utiliser un caisson mural télescopique.

### Conduit d'évacuation

**Remarque :** Le fabricant de l'appareil décline toute garantie en cas de réclamation imputable à des problèmes liés au parcours des conduits.

- L'appareil atteindra un rendement supérieur si le conduit d'évacuation est court et droit et que son diamètre est grand.
- Si les conduits d'évacuation sont longs, présentent de nombreux coudes ou ont un diamètre inférieur à 6" (150 mm), la puissance maximale d'aspiration ne sera pas atteinte et le ventilateur fera plus de bruit.
- Les tuyaux rigides ou souples constituant le conduit d'évacuation doivent être fabriqués dans un matériau ininflammable.
- Pour raccorder des tuyaux de diamètres différents, utiliser du ruban d'étanchéité.

## Branchement électrique

---

### AVERTISSEMENT

---

#### Risque de choc électrique

Les pièces se trouvant dans l'appareil peuvent présenter des arêtes vives. Le cordon de branchement peut être endommagé. Ne pas couder ni coincer le cordon de branchement pendant la pose.

---

Avant de procéder au branchement électrique, vérifier l'installation du logement. S'assurer que l'installation électrique du logement est suffisamment protégée. La tension et la fréquence de l'appareil doivent correspondre à celles de l'installation électrique (voir la plaquette d'identification).

L'appareil est de la classe de protection I et doit obligatoirement être raccordé à une prise avec terre.

Il faut prévoir dans l'installation un disjoncteur multipolaire ayant une distance d'ouverture des contacts d'au moins 3 mm ( $\frac{1}{8}$ " ) et restant accessible après la pose.

Seul un électricien qualifié est habilité à poser ou à remplacer le cordon d'alimentation électrique, dans le respect des règles et normes en vigueur.

Si le cordon d'alimentation électrique de cet appareil est endommagé, il faut le remplacer par un cordon spécial disponible auprès du fabricant ou de son service après-vente.

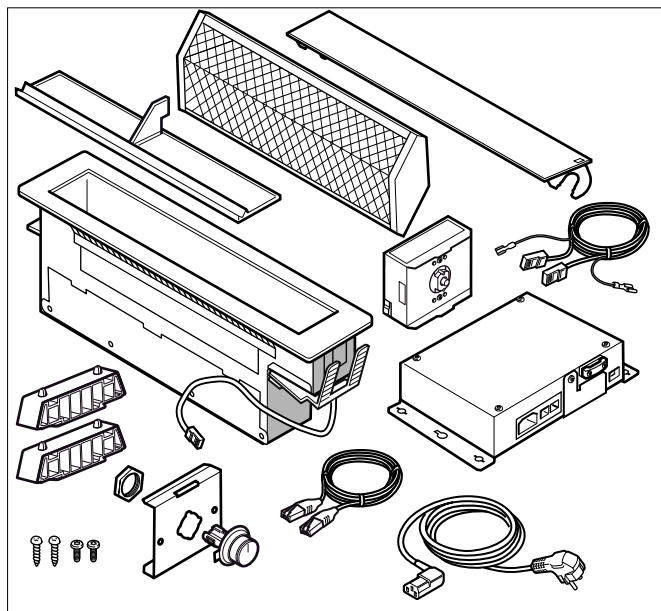
## Avant de commencer

### Outils et pièces nécessaires

- Tournevis à empreinte Torx T20
- Crayon
- Perceuse avec mèche 1/4" po (6 mm)
- Scie sauteuse
- Ruban à mesurer

**Remarque :** Des matériaux supplémentaires peuvent être nécessaires pour installer les plans de travail à surface solide. Contacter le fabricant du plan de travail.

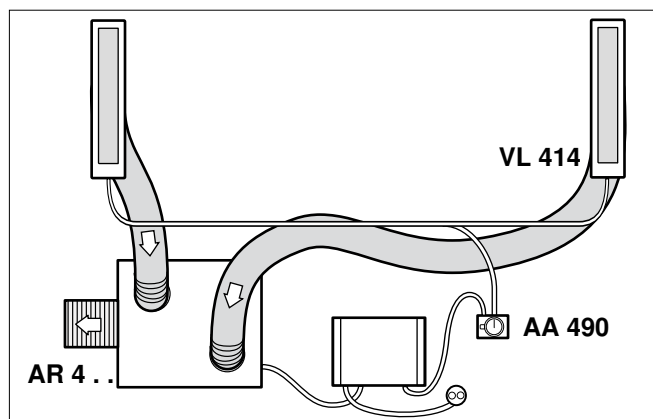
### Pièces comprises



### Accessoires d'installation

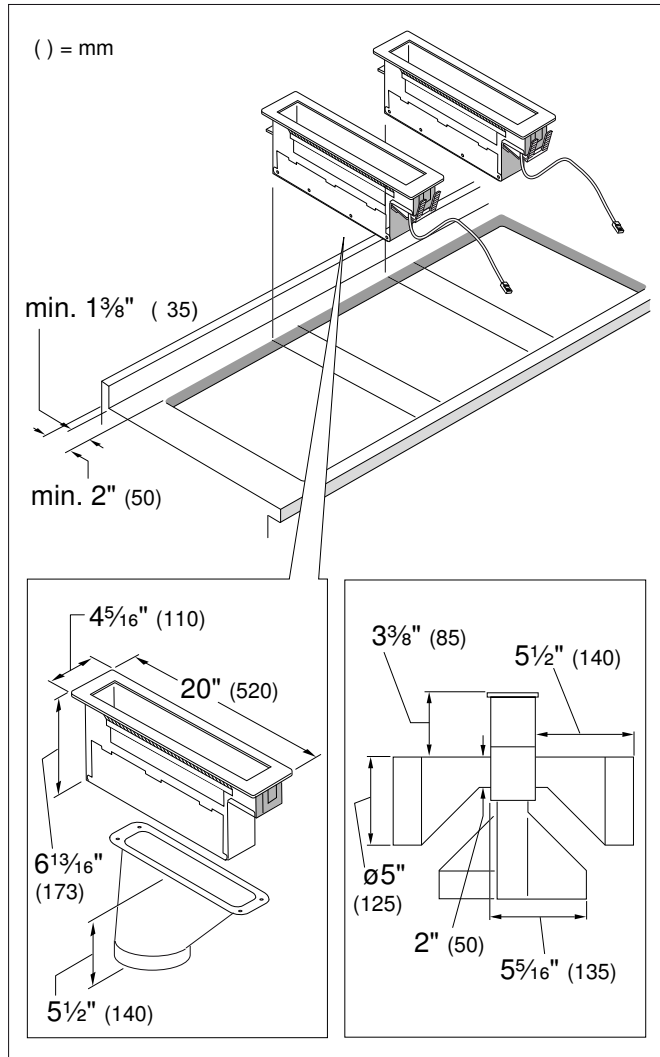
- VA 420 000 Réglette de jonction pour associer d'autres appareils Vario de la série 400 à montage en affleurement
- VA 420 001 Réglette de jonction pour associer d'autres appareils Vario de la série 400 à montage en affleurement, avec couvercle et réglette de rattrapage
- VA 420 010 Réglette de jonction pour associer d'autres appareils Vario de la série 400 à montage en saillie
- VA 420 011 Réglette de jonction pour associer d'autres appareils Vario de la série 400 à montage en saillie, avec couvercle et réglette de rattrapage
- VA 450 110 Réglette de rattrapage de 11 cm pour compenser la différence de hauteur entre plusieurs appareils Vario
- AD 724 040 Pièce de connexion pour conduit rond, DN 125 mm  
Pour le raccordement latéral à VL, plaque d'adaptation supplémentaire AD 724 041 nécessaire
- AD 724 041 Plaque d'adaptation pour raccordement latéral de AD 724 040 à VL
- AS 070 001 Pièce de connexion pour rallonge en cas de montage à côté de VK ou VF

### Schéma d'installation



## Cotes de l'appareil

Pour obtenir une puissance d'aspiration maximale, la largeur maximale d'un foyer unique entre deux éléments d'aération doit être de  $23\frac{5}{8}$ " (60 cm).



## Préparation des meubles

Le meuble où la table de cuisson est encastrée doit résister à la chaleur jusqu'à une température de 200° F (90° C). La stabilité du meuble doit rester garantie après les opérations de découpe.

Réaliser la découpe dans le plan de travail pour un ou plusieurs appareils Vario, conformément au schéma de pose. Le plan de coupe doit faire un angle de 90° avec le plan de travail.

Les bords de coupe latéraux doivent être plans afin de garantir la fixation des ressorts de maintien sur l'appareil. Dans le cas de plans de travail multicouches, fixer éventuellement des baguettes sur les côtés de la découpe.

Après les opérations de découpe, éliminer les copeaux. Sceller les plans de coupe de façon qu'ils résistent à la chaleur et soient étanches à l'eau.

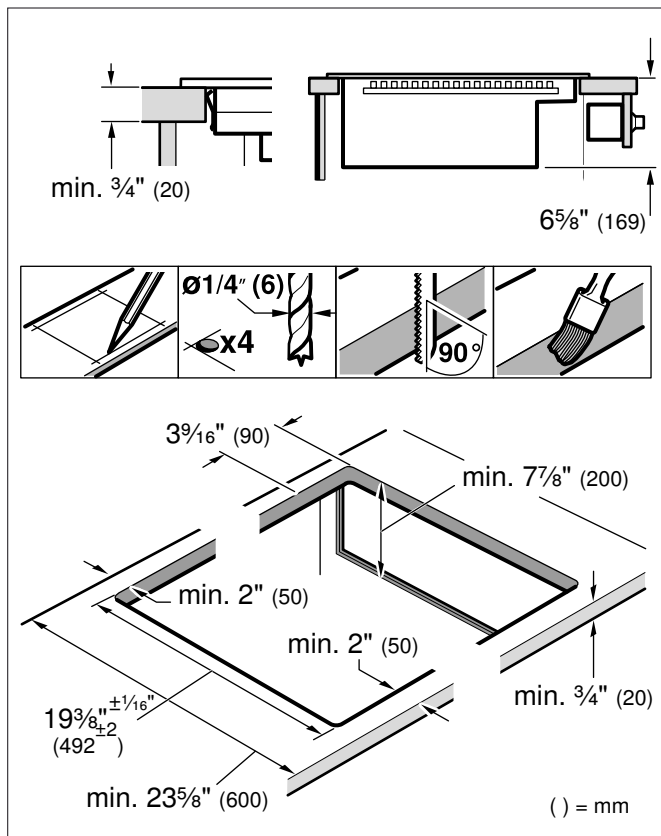
Respecter une distance minimale de 3/8" (10 mm) entre le dessous de l'appareil et les éléments du meuble.

En particulier si le plan de travail est peu épais, assurer sa capacité de résistance et sa stabilité en le renforçant au moyen de structures adaptées. Tenir compte du poids des appareils, sans oublier leur contenu et leurs accessoires. Le matériau utilisé pour le renforcement doit résister à la chaleur et à l'humidité.

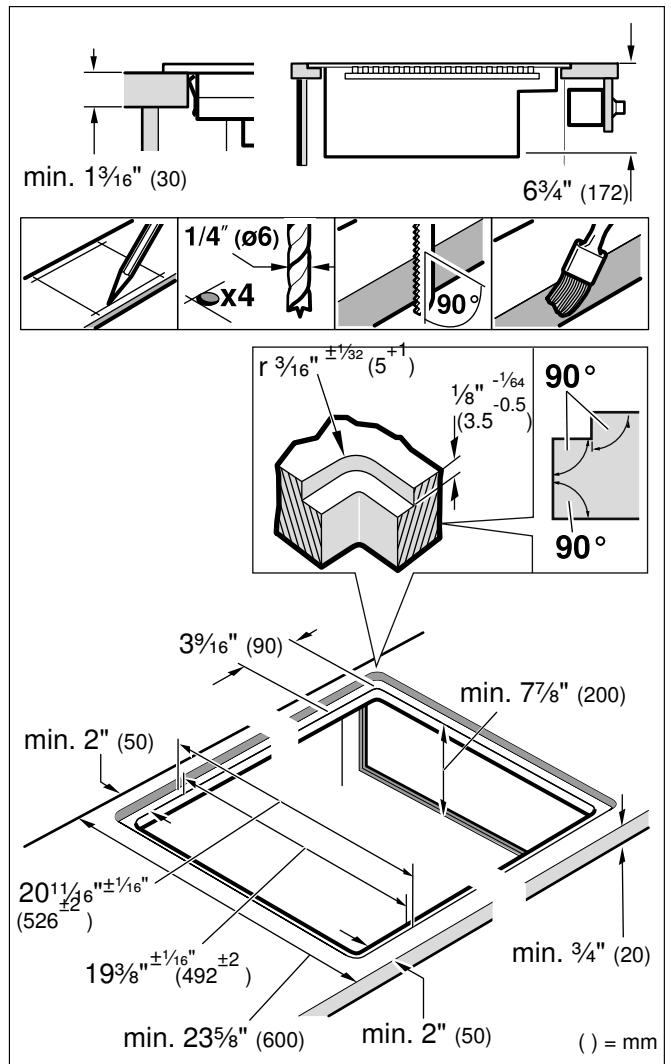
**Remarque :** Vérifier l'aplomb de l'appareil seulement après l'avoir installé dans la découpe.



## Découper le plan de travail



**Pose en affleurement:** L'appareil peut être posé en affleurement dans un plan de travail.



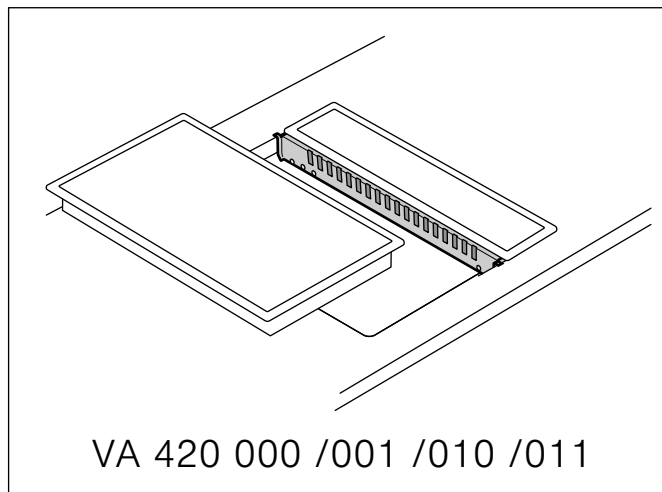
**Pose en affleurement:** L'appareil peut être encastré dans des plans de travail résistant à la chaleur et à l'eau, fabriqués dans les matériaux suivants :

- pierre
- matière plastique ou Corian®
- bois massif : seulement avec l'accord avec le fabricant du plan de travail (sceller les bords de coupe)
- La pose dans d'autres types de plan de travail : seulement avec l'accord avec le fabricant du plan de travail.

La pose dans de plan de travail de panneaux de particules n'est pas autorisée.

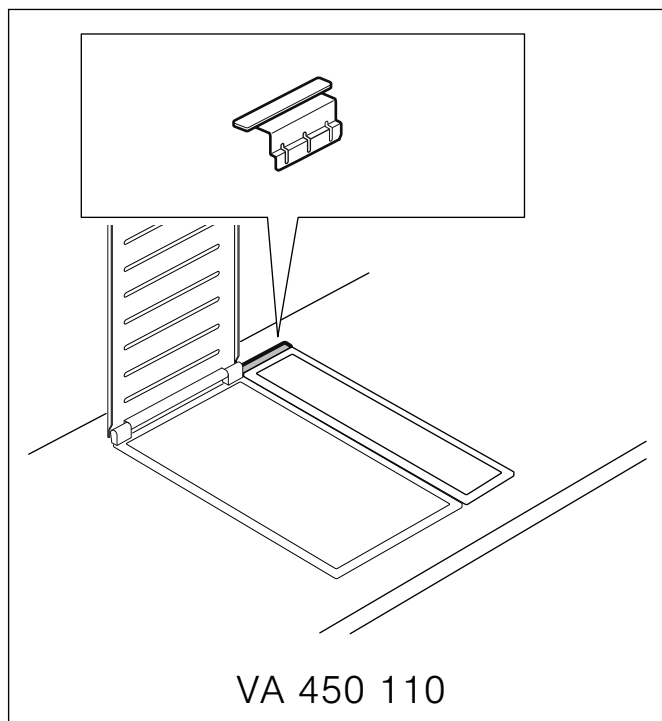
**Remarque :** Toutes les découpes du plan de travail doivent être faits dans un atelier spécialisé, conformément au schéma de pose. La découpe doit être nette et précise, car le bord de coupe est visible en surface. Nettoyer et dégraisser les bords de coupe avec un produit de nettoyage adéquat (respecter les instructions d'application du fabricant du silicone).

**Association de plusieurs appareils Vario :** Pour combiner plusieurs appareils Vario, il faut utiliser la barrette de jonction VA 420 000/001/010/011. Elle est disponible comme accessoire en option. Lors de la découpe, tenir compte de l'espace supplémentaire qui est nécessaire pour la barrette de jonction entre les appareils (voir la notice de montage VA 420 000/001/010/011).



Les appareils peuvent aussi être posés dans des découpes séparées, en respectant une distance minimale entre eux, soit 2" (51 mm).

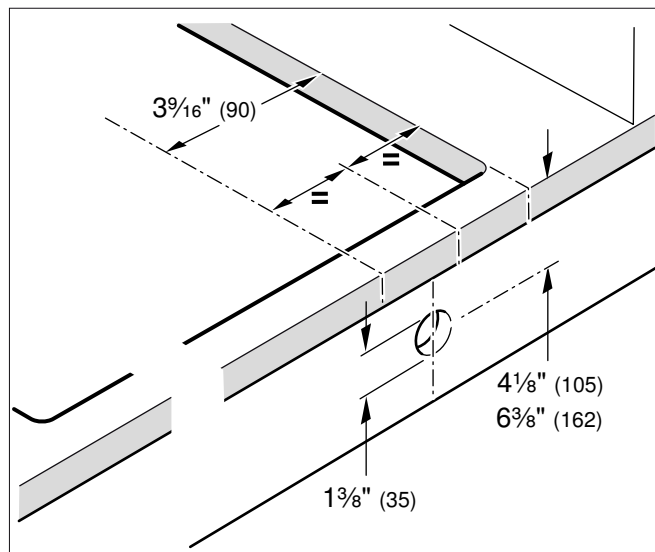
Pour associer des appareils avec et sans couvercle, il faut compenser les différences de longueur en utilisant la rallonge VA 450 110/-401/-600/-800/-900 (selon la largeur de l'appareil).



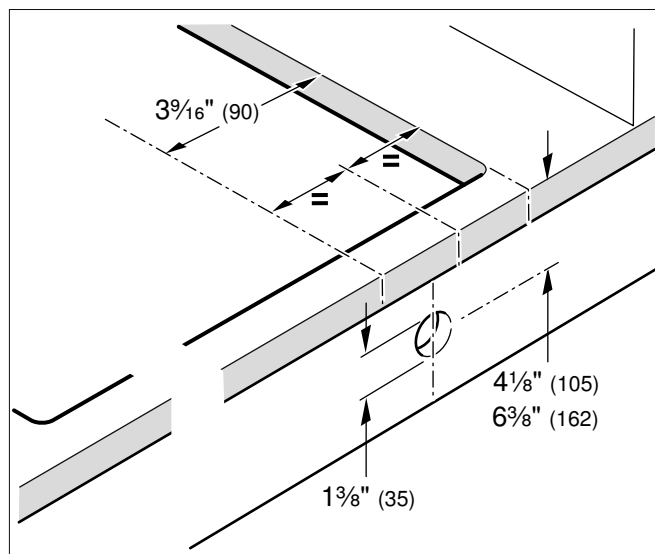
## Trous pour manettes de commande

Le pupitre de commande peut être intégré dans le meuble bas, à hauteur de tiroir. Épaisseur du bandeau :  $\frac{5}{8}$ " - 1" (16 - 26 mm)

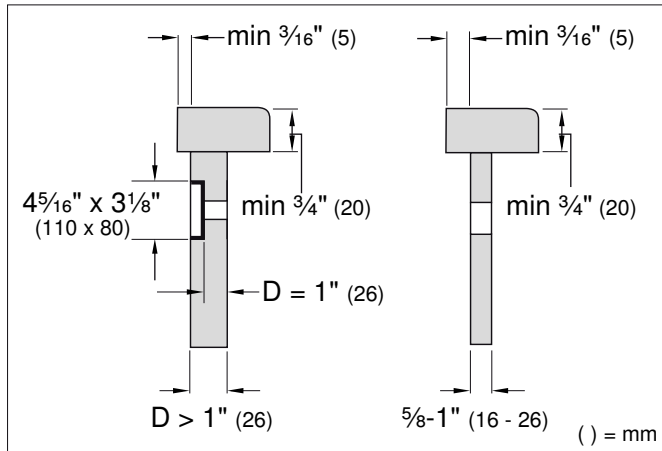
- 1 Comme indiqué sur la figure, percer des trous  $\varnothing 1\frac{3}{8}$ " (35 mm) pour fixer les manettes de commande en façade du meuble bas. Pour le positionnement précis des trous, utiliser le gabarit de perçage fourni.



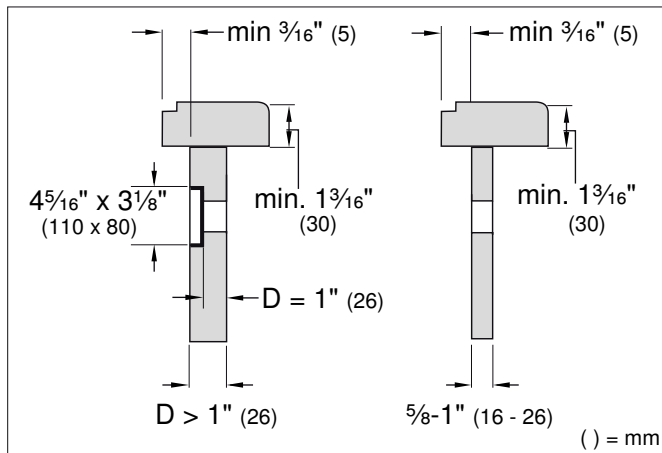
Pour une pose en affleurement :



- 2 Si l'épaisseur du bandeau est supérieure à 1" (26 mm) : fraiser l'arrière du bandeau de façon que son épaisseur ne soit pas supérieure à 1" (26 mm). Dimensionner le fraisage selon le pupitre de commande.



Pour une pose en affleurement :

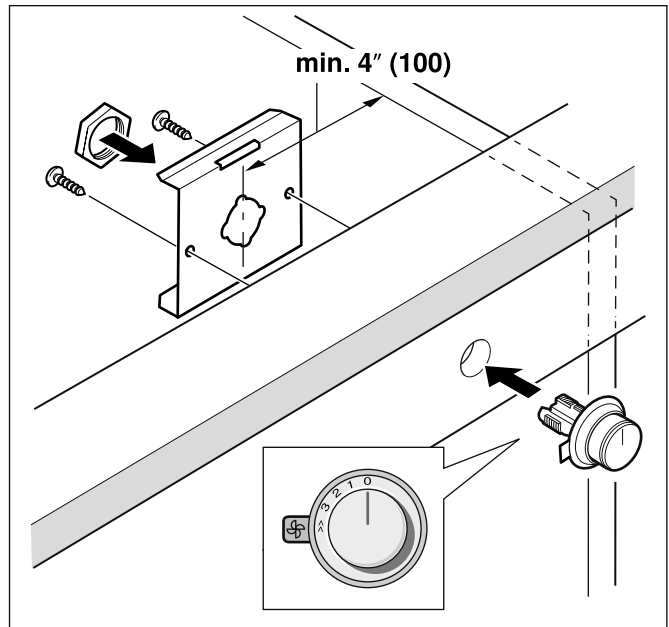


## Procédure d'installation

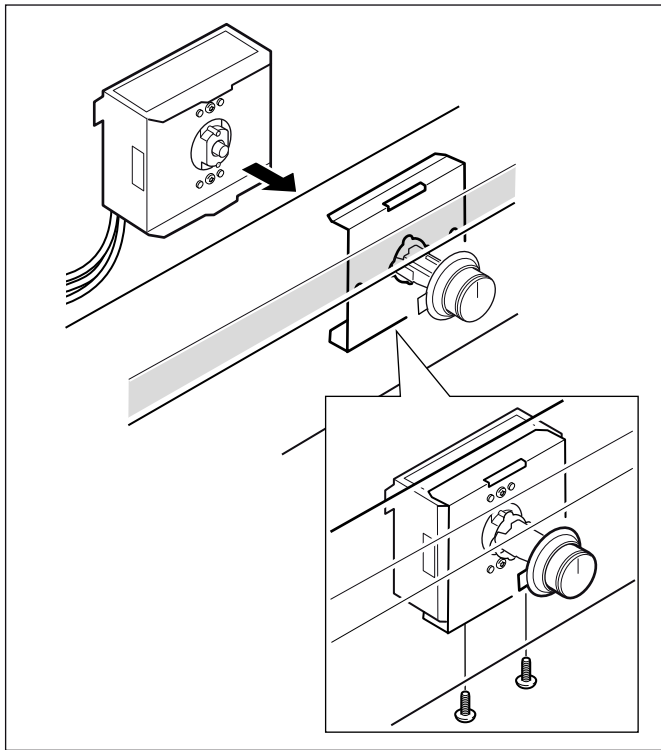
### Pose du pupitre de commande

**Remarque :** Installer l'appareil uniquement avec son pupitre de commande.

- 1 Enlever l'emballage de la manette de commande et retirer le film de protection situé derrière les anneaux lumineux.
- 2 Maintenir la plaque métallique par l'arrière contre le bandeau avant. Emboîter les manettes par devant dans les trous, et serrer par l'arrière au moyen de l'écrou.



- 3 Visser le pupitre de commande à la plaque de maintien au moyen des vis fournies.



**ATTENTION**

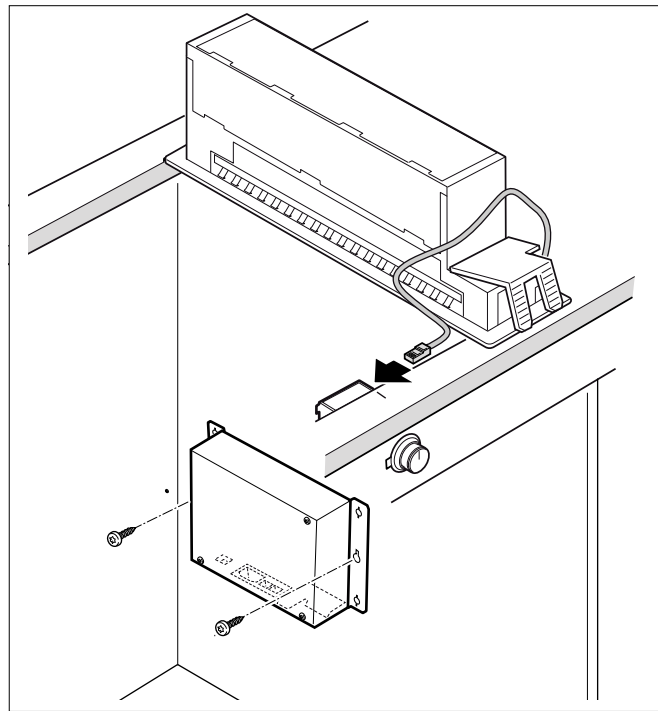
Endommagement de l'appareil ! Établir l'équipotentialité. Avant de brancher les câbles de commande au pupitre, il faut positionner le toron de terre de l'unité de commande sur le pupitre.

## Pose de l'appareil

**AVERTISSEMENT**

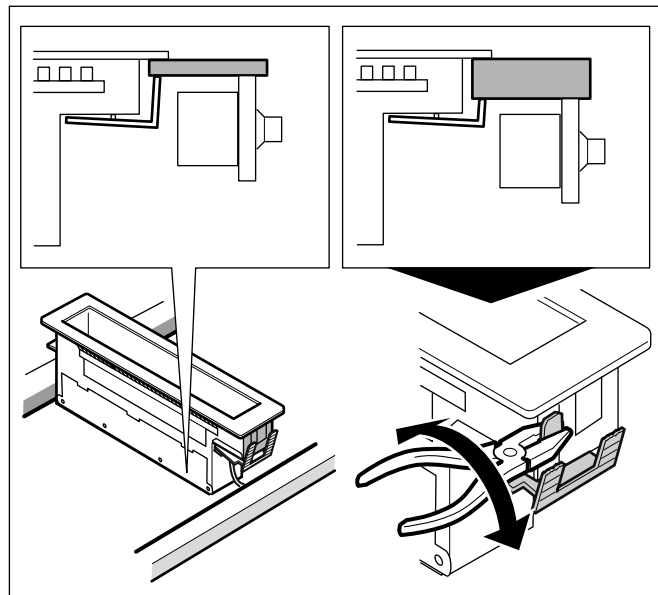
Avant tout raccordement de cordon électrique ou toute mise sous tension, assurez-vous que toutes les commandes sont en position OFF (d'arrêt).

- 1 Brancher le câble de commande dans la prise au pupitre de commande. La fiche doit s'encliqueter.



- 2 Raccourcir le blocage de plan de cuisson avant en fonction de l'épaisseur du plan de travail. Briser la tôle au point de rupture imposé.

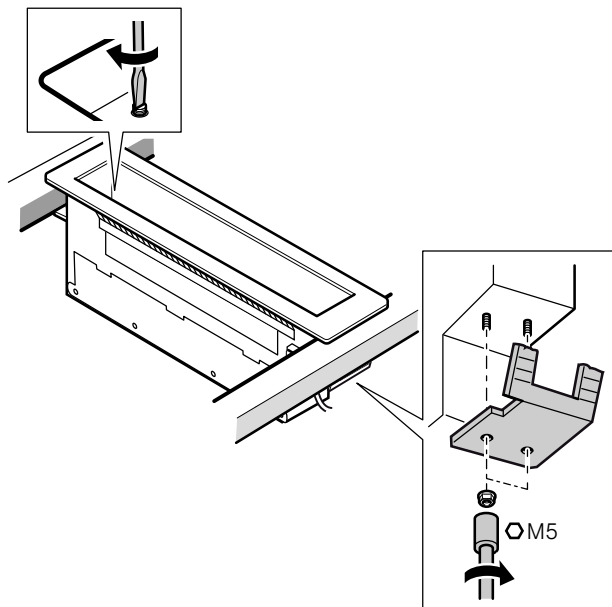
**Remarque :** Veiller à ne pas trop raccourcir, car l'action de serrage par rapport au plan de travail doit être assurée.



Insérer l'appareil à l'horizontale dans la découpe et l'aligner. À l'aide de la vis, serrer le blocage de plan de cuisson arrière à l'intérieur de l'appareil. Serrer le blocage de plan de cuisson avant depuis le bas.

#### Remarques

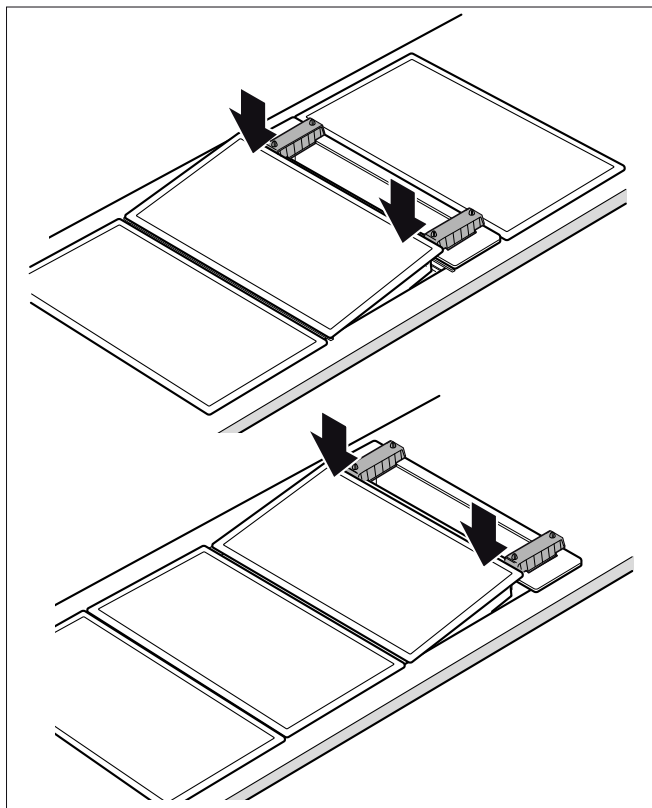
- Ne pas serrer les blocages de plan de cuisson trop fermement, veiller à une fente d'étanchéité régulière sur le périmètre.
- Le blocage de plan de cuisson arrière pivote de lui-même lors du serrage.
- Il ne faut pas coller l'appareil sur le plan de travail avec du silicone.



- 3** Utiliser l'aide au montage. Insérer horizontalement l'aérateur dans la découpe et ajuster. Enlever l'élément obturateur. Insérer l'aide au montage en position oblique dans la découpe et l'ajuster perpendiculairement à l'appareil. Présenter l'appareil incliné devant l'aérateur de table et le pousser dans la découpe au moyen de l'aide au montage. Retirer l'aide au montage. Fixer l'aérateur de table de cuisson conformément à la description ci-dessus.

#### Remarques

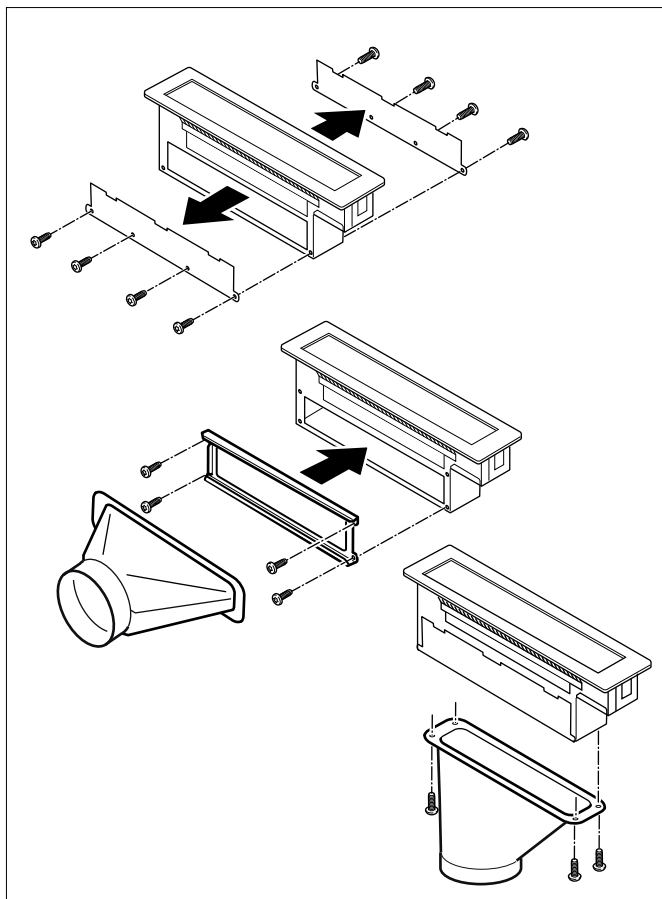
- Si l'aérateur est en première ou en dernière position d'un groupe de plusieurs appareils Vario, il faut utiliser l'aide au montage fournie.
- L'aide au montage protège les bords de l'appareil.



4 Monter la tubulure de raccordement dans la position voulue.

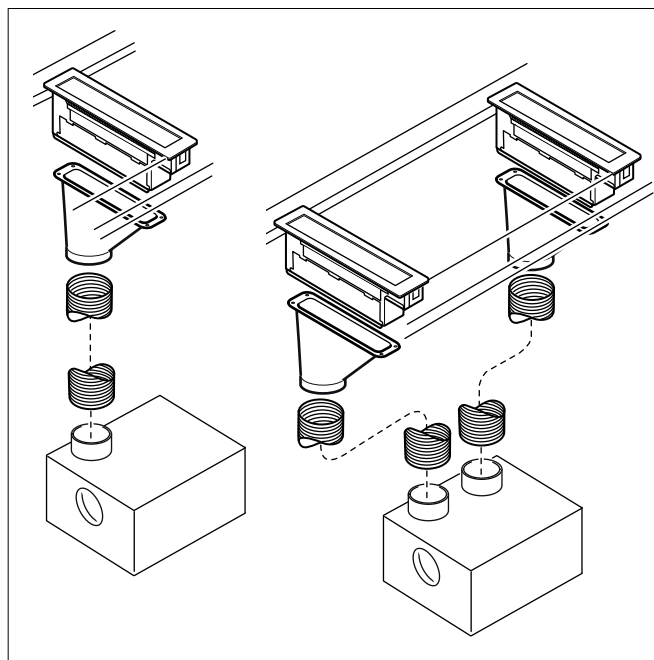
**Remarques**

- Selon la configuration, le conduit d'évacuation peut prendre trois directions différentes.
- Selon les caractéristiques de la pièce, il est possible de tourner de 180° la tubulure de raccordement.
- Pour l'évacuation, respecter aussi la notice du groupe extracteur.



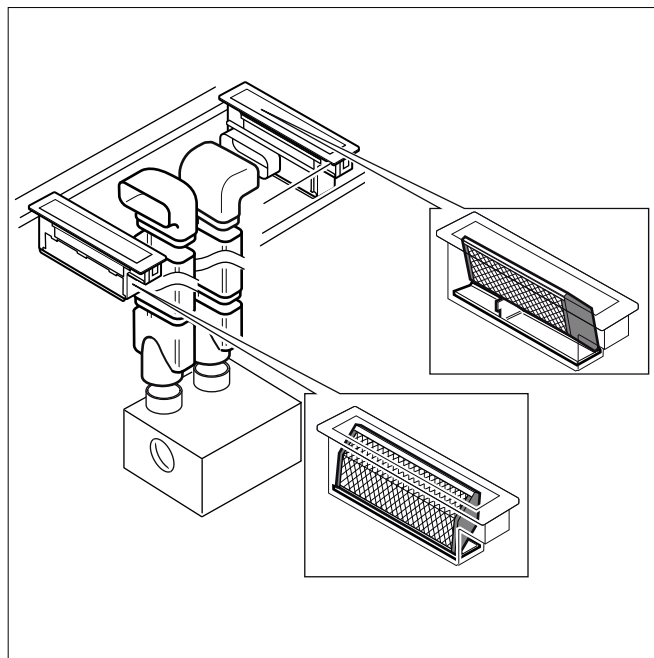
5 Fixer le tuyau d'évacuation à la tubulure et étanchéifier de manière appropriée.

**Remarque :** Avant de poser un tuyau en aluminium, lisser la zone de raccordement.

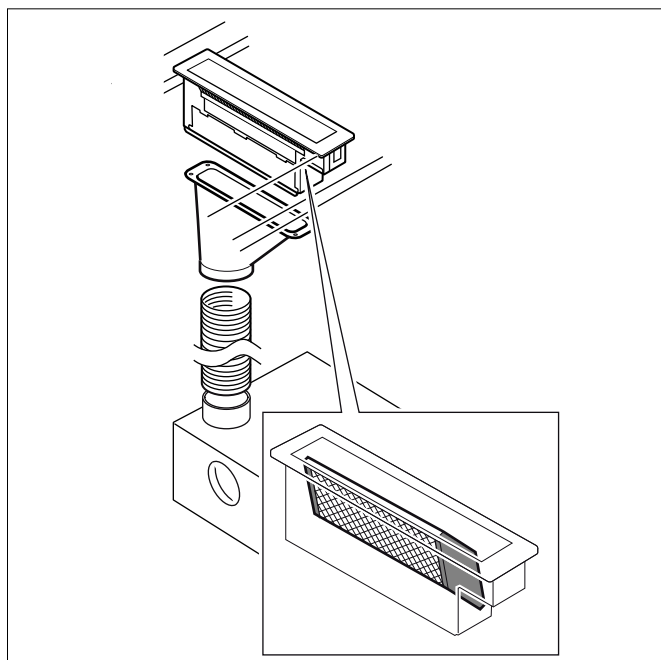


6 Mettre le filtre à graisse en place :

La plaque de positionnement sert à positionner le filtre à graisse correctement en cas de sortie d'air sur le côté. Placer la plaque de positionnement dans l'élément de ventilation de telle manière que l'angle central soit pointé vers la sortie d'air. Placer le filtre à graisse sur la plaque de positionnement.

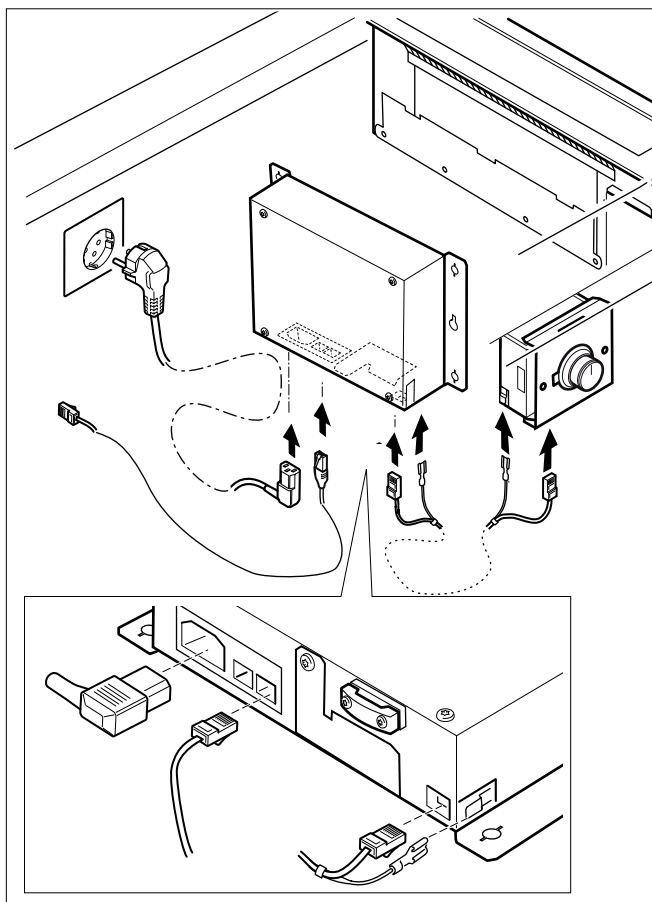


En cas de sortie d'air vers le bas, placer le filtre à graisse sans la plaque de positionnement dans l'élément de ventilation. L'horizontalité du filtre à graisse n'a pas d'importance.



- 7 Connecter le câble de commande de l'unité de commande dans la prise au pupitre de commande. Connecter le câble de commande à l'unité de commande et au module ventilateur. Toutes les fiches doivent s'encliqueter. Connecter l'unité de commande et le module ventilateur au secteur et vérifier le fonctionnement. Si l'appareil ne

fonctionne pas, vérifier la fixation correcte des câbles de raccordement!



- 8 **Uniquement en cas de montage en affleurement : il faut impérativement effectuer un essai de fonctionnement avant de faire le joint !** Garnir le joint périphérique de mastic silicone résistant à la température (exemple : OTTOSEAL® S 70). Lisser le joint au moyen du produit de lissage préconisé par le fabricant. Respecter les instructions de mise en œuvre du mastic silicone. Attendre le séchage complet du mastic silicone (au moins 24 heures, selon la température ambiante) avant de mettre l'appareil en service.

**AVIS :** L'utilisation d'un mastic silicone non adapté provoque des décolorations durables des plans de travail en pierre naturelle.

## Brancher l'alimentation électrique

---

### AVERTISSEMENT

---

#### Risque de choc électrique

Les pièces se trouvant dans l'appareil peuvent présenter des arêtes vives. Le cordon de branchement peut être endommagé. Ne pas couper ni coincer le cordon de branchement pendant la pose.

---

Consulter la plaque signalétique pour en savoir plus. Pour savoir où se trouve la plaque signalétique, se reporter à la rubrique "Service après-vente".

Le courant admissible des disjoncteurs divisionnaires, la taille des câbles et les connexions doivent être conformes aux exigences du Code électrique national ou du Code électrique canadien ainsi qu'à tous les codes et règlements locaux.

#### Ce appareil est relié avec une fiche

- La fiche doit être conforme aux normes NEMA pour fiches et prises de courant.
- L'appareil doit être correctement mis à la terre.
- La fiche d'alimentation doit être au minimum du type 6-20 P (2 broches, 3 fils avec terre).
- Le branchement de la fiche doit être fait exclusivement par un électricien qualifié.
- Poser une prise de courant avec terre conformément à la réglementation, à environ 27" (700 mm) au-dessus du sol derrière l'appareil. La prise de courant doit rester accessible après la pose de l'appareil.

## Défecteur

Si l'aérateur de plan de cuisson est installé près d'un appareil à gaz, il faut monter sur ce dernier un déflecteur AA 414 010 pendant la cuisson. Le déflecteur améliore la capacité d'aspiration. Il évite que le flux d'air n'éteigne les petites flammes.

AA 414 010 Défecteur pour l'utilisation à côté d'appareils à gaz VG 414/415/424/425

## Dépose de l'appareil

Mettre l'appareil hors tension. Si les appareils sont posés en affleurement, enlever le joint en silicone. Faire sortir l'appareil en le soulevant par-dessus.

---

### ATTENTION

---

Risque de détérioration ! Ne pas extraire l'appareil par le haut en faisant levier sur le cadre.

---



---

## Raccord pour le contacteur de fenêtre AA 400 510

---

Les travaux sur le raccord pour le contacteur de fenêtre doivent uniquement être effectués par un électricien qualifié, en respectant les règlements et normes spécifiques au pays.

L'appareil possède un raccord X17 pour un contacteur de fenêtre. Le contacteur de fenêtre convient au montage encastré ou au montage en saillie. Le contacteur de fenêtre AA 400 510 est disponible séparément en tant qu'accessoire. Respectez les instructions de montage fournies avec le contacteur de fenêtre.

Lorsque le contacteur de fenêtre est raccordé, la ventilation de la hotte aspirante fonctionne uniquement avec la fenêtre ouverte. L'éclairage fonctionne même si la fenêtre est fermée.

Si vous activez la ventilation avec la fenêtre fermée, la touche de la vitesse du ventilateur sélectionnée clignote et la ventilation reste éteinte.

Si vous fermez la fenêtre alors que la ventilation est allumée, l'appareil coupe la ventilation en l'espace de 5 secondes. La touche de la vitesse du ventilateur sélectionnée clignote.

L'ensemble du circuit de ventilation associé à un contacteur de fenêtre doit être évalué par un ramoneur en chef.

---

## Service après-vente

---

Si votre appareil doit être réparé, notre service après-vente est à votre disposition. Nous trouvons toujours une solution adaptée, y compris pour éviter les visites inutiles de techniciens.

Lors de votre appel, indiquez le numéro du produit (n° E) et le numéro de série (n° FD) afin que nous puissions vous donner une réponse précise. La plaquette d'identification comportant ces numéros se trouve sur le dessous de l'appareil. Pour ne pas avoir à chercher longtemps en cas de besoin, vous pouvez inscrire ici les références de l'appareil et le numéro de téléphone du service après-vente.

---

N° E

N° FD

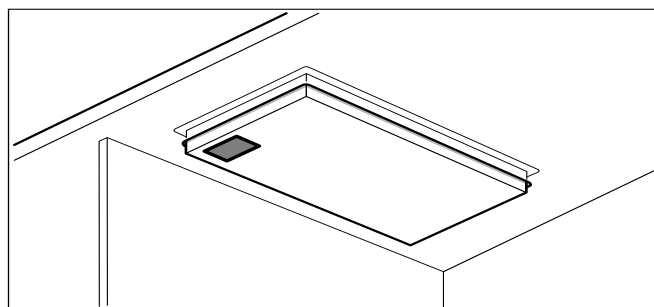
---

---

Service après-vente ☎

---

N'oubliez pas qu'en cas de fausse manœuvre, la visite d'un technicien d'après-vente n'est pas gratuite, même pendant la garantie.



Vous trouverez les données de contact pour tous les pays dans l'annuaire ci-joint du service après-vente.

### **Demande de réparation et conseils en cas de dysfonctionnement**

CA 877 442 4436

toll-free

Faites confiance à la compétence du fabricant. Ainsi vous êtes assurés que la réparation sera effectuée par des techniciens formés qui possèdent les pièces de rechange d'origine pour votre appareil.

---

## Definiciones de seguridad

---

---

### ADVERTENCIA

---

Esto indica que pueden producirse heridas graves o incluso la muerte si no se cumple con esta advertencia.

---

---

### ATENCION

---

Esto indica que pueden producirse heridas leves o moderadas si no se cumple con esta advertencia.

---

**AVISO:** Esto indica que pueden producirse daños en el aparato o en los bienes si no se cumple con este aviso.

**Nota:** Esto alerta sobre información o sugerencias importantes.

# INSTRUCCIONES DE SEGURIDAD IMPORTANTES

## LEA Y CONSERVE ESTAS INSTRUCCIONES

INSTALADOR: DEJE ESTAS INSTRUCCIONES CON EL ELECTRODOMÉSTICO CUANDO HAYA FINALIZADO LA INSTALACIÓN.

IMPORTANTE: CONSERVE ESTAS INSTRUCCIONES PARA USO DEL INSPECTOR DE ELECTRICIDAD LOCAL.

---

### ADVERTENCIA

Si no sigue la información de este manual exactamente, se puede ocasionar un incendio o una descarga eléctrica que puede causar daños materiales o lesiones personales.

---

---

### ADVERTENCIA

No reparar, sustituir ni quitar ninguna pieza del electrodoméstico a menos que se recomiende de forma específica en los manuales. Una instalación, servicio o mantenimiento inadecuados pueden causar lesiones o daños materiales. Consultar este manual para recibir ayuda. Todos los demás servicios debe realizarlos un agente autorizado.

---

---

### ADVERTENCIA

ADVERTENCIA – PARA REDUCIR EL RIESGO DE INCENDIO, CHOQUE ELÉCTRICO O LESIONES A LAS PERSONAS, OBSERVE LAS SIGUIENTES RECOMENDACIONES:

- El trabajo de instalación y el cableado eléctrico deben realizarse por personal calificado conforme a todos los códigos y estándares aplicables, incluyendo construcción contra incendios.
  - Se requiere suficiente aire para la combustión y escape adecuado de gases por el conducto (chimenea) del equipo que quema combustible para evitar la contracorriente. Siga la directriz y las normas de seguridad del fabricante de equipos de calefacción, como las publicadas por La Asociación Nacional para la Protección contra Incendios (NFPA, por sus siglas en inglés) y la Sociedad Americana de Ingenieros en Calefacción, Refrigeración y Aire Acondicionado (ASHRAE, por sus siglas en inglés) y las autoridades locales correspondientes.
  - Al cortar o perforar la pared o el techo, no dañe el cableado eléctrico u otras instalaciones ocultas.
  - Los ventiladores entubados siempre deben ser ventilados hacia el exterior.
- 

---

### ADVERTENCIA

Al instalar la campana, deben cumplirse las reglamentaciones aplicables de las compañías de suministro de energía y las reglamentaciones regionales de construcción.

---

---

### ADVERTENCIA

#### **Peligro de incendio**

Los depósitos de grasa en el filtro de grasa se pueden incendiar. Nunca trabaje con flama abierta cerca del equipo (por ejemplo con platillos flameados). Solamente instale el equipo cerca de un fogón para sustancias sólidas (p. ej. madera o carbón) si está disponible una cubierta cerrada que no se pueda quitar. No deben volar las chispas.

---



# INSTRUCCIONES DE SEGURIDAD IMPORTANTES

LEA Y CONSERVE ESTAS INSTRUCCIONES

---

## ADVERTENCIA

### Riesgo de incendio

Cuando se usan simultáneamente varios quemadores de gas se genera mucho calor. El aparato de ventilación puede dañarse o incendiarse. El aparato de ventilación solo puede combinarse con quemadores de gas que no superen una potencia total máxima de 61,000 BTU/hr (18 kW). Al exceder la potencia total de 41,000 BTU/hr (12 kW) se deben observar los reglamentos locales respecto a la ventilación del área, tamaño del área y combinación con aparatos de ventilación en el modo de aire de extracción o aire de circulación.

---

---

## ADVERTENCIA

Para reducir el riesgo de incendio y para hacer que el aire salga al exterior correctamente, asegúrese de que haya un conducto que lo dirija hacia afuera. No dirija el aire de salida hacia lugares cerrados, espacios dentro de paredes, techos, áticos, huecos sanitarios o garajes.

---

---

## ADVERTENCIA

A fin de reducir el riesgo de incendio, utilizar únicamente conducciones de metal.

---

---

## ADVERTENCIA

Cuando se utiliza la campana en modo de aire de escape simultáneamente con un quemador diferente que también usa la misma chimenea (como calentadores a gas, aceite o carbón, calentadores de flujo continuo, calentadores de agua) se debe asegurar que haya un suministro de aire fresco suficiente para las necesidades de combustión del quemador.

La operación segura es posible siempre que la subpresión de la habitación donde está instalado el quemador no supere los 4 Pa (0.04 mbar).

Esto es posible si el aire de combustión puede circular a través de aberturas que no puedan trabarse, como ser en puertas y ventanas, y a través de cajas de entrada/salida de aire en la pared, o mediante otras medidas técnicas, como enclavamiento recíproco, etc.

---

---

## ADVERTENCIA

Evite la intoxicación por monóxido de carbono: proporcione una entrada de aire suficiente para que los gases de la combustión no vuelvan a ingresar en la habitación.

Una caja de entrada/salida de aire en la pared por sí sola no garantiza que no se superará el valor límite.

**Nota:** Al evaluar el requisito total, se debe tener en cuenta el sistema de ventilación combinado para todo el hogar. Esta norma no se aplica al uso de aparatos de cocina, como parrillas y hornos.

---

---

## ATENCIÓN

Solo para la ventilación general. No utilizar para la extracción de sustancias y vapores peligrosos o explosivos.

---

## Seguridad de manejo del electrodoméstico

La unidad es pesada y se requieren al menos dos personas o un equipo adecuado para trasladarla.

Las superficies ocultas pueden tener bordes filosos. Proceda con cuidado al intentar tomar el electrodoméstico por la parte trasera o desde abajo.

---

---

## ADVERTENCIA

### Riesgo de lesiones

Si el aparato no está fijado correctamente a la pared, puede caerse. Todos los elementos de fijación deben montarse debidamente.

---

---

## ADVERTENCIA

### Riesgo de vuelco

El aparato es demasiado angosto y puede volcarse fácilmente. No colocar el aparato verticalmente sobre el piso. Colocar el aparato plano sobre el piso.

---

# INSTRUCCIONES DE SEGURIDAD IMPORTANTES

## LEA Y CONSERVE ESTAS INSTRUCCIONES

### Códigos y normas de seguridad

Este electrodoméstico cumple con la última versión de una o varias de las siguientes normas:

- UL 507 - Ventiladores eléctricos (Electric Fans)
- CAN/CSA C22.2 No. 113 - Ventiladores (Fans and Ventilators)

Es responsabilidad del instalador determinar si se aplican otros requisitos y/o normas en instalaciones específicas.

### Seguridad eléctrica

---

#### ADVERTENCIA

##### INSTRUCCIONES PARA LA CONEXIÓN A TIERRA

Este aparato debe estar conectado a tierra. En caso de un cortocircuito eléctrico, la conexión a tierra reduce el riesgo de descarga eléctrica proporcionando un cable de escape para la corriente eléctrica.

Este aparato viene equipado con un cable con un enchufe de conexión a tierra. El enchufe debe colocarse en una toma de corriente adecuada que esté correctamente instalada y conectada a tierra.

---

#### ADVERTENCIA

La incorrecta conexión a tierra puede causar una descarga eléctrica. Consulte a un electricista calificado si no comprende la totalidad de las instrucciones de conexión a tierra o si tiene alguna duda respecto de si el aparato está correctamente conectado a tierra. No use un cable de extensión. Si el cable de alimentación eléctrica es demasiado corto, solicite a un electricista calificado que instale una toma de corriente cerca del aparato.

---

#### ADVERTENCIA

Antes de enchufar un cable eléctrico o activar el suministro eléctrico, asegúrese de que todos los controles están en la posición OFF.

Para los electrodomésticos equipados con cable y enchufe, no corte ni retire la espiga de conexión a tierra. Debe enchufarse en un receptáculo de conexión a tierra compatible para evitar descargas eléctricas. Si

tiene alguna duda respecto de si el receptáculo de pared está correctamente conectado a tierra, el cliente debe solicitar la verificación de un electricista calificado.

Si el Código Nacional Eléctrico (o el Código Eléctrico Canadiense) así lo requiere, este electrodoméstico debe instalarse en un circuito derivado por separado.

---

#### ADVERTENCIA

Para reducir el riesgo de choque eléctrico, no use este ventilador con ningún dispositivo de control de velocidad de estado sólido.

El instalador debe mostrar al propietario la ubicación del disyuntor o el fusible. Márquela para recordarla más fácilmente.

Antes de realizar la instalación, apague la alimentación eléctrica en el panel de servicio. Trabe el panel de servicio para impedir que se encienda accidentalmente la alimentación eléctrica.

---

#### ADVERTENCIA

PARA REDUCIR EL RIESGO DE INCENDIO, CHOQUE ELÉCTRICO O LESIONES A LAS PERSONAS, OBSERVE LAS SIGUIENTES RECOMENDACIONES:

- Utilice esta unidad sólo de la manera indicada por el fabricante. Si tiene preguntas, póngase en contacto con el fabricante.
- Antes de reparar o limpiar la unidad, desconecte el suministro eléctrico en el panel de servicio y bloquee el servicio desconectando las conexiones para evitar que se encienda accidentalmente. Cuando no pueda bloquearse la desconexión del servicio, coloque un aviso prominente de advertencia, como un letrero, en el panel de servicio.

Asegúrese de que el electrodoméstico sea correctamente instalado y conectado a tierra por un técnico calificado. La instalación, las conexiones eléctricas y la conexión a tierra deben cumplir con todos los códigos correspondientes.

---

#### ADVERTENCIA

##### Peligro de descarga eléctrica

Los componentes dentro del equipo pueden tener bordes filosos. Puede dañarse el cable de conexión. No retorcer ni constreñir el cable durante la instalación.



# INSTRUCCIONES DE SEGURIDAD IMPORTANTES

## LEA Y CONSERVE ESTAS INSTRUCCIONES

### Seguridad del equipo relacionado

Retire toda la cinta y el embalaje antes de usar el electrodoméstico. Destruya el embalaje después de desembalar el electrodoméstico. Nunca deje que los niños jueguen con el material de embalaje.

El electrodoméstico solamente deberá usarse si lo ha instalado un técnico calificado, de acuerdo con estas instrucciones de instalación. El fabricante no es responsable de ningún daño causado por una instalación incorrecta.

Nunca modifique ni altere la construcción del electrodoméstico. Por ejemplo, no retire las patas niveladoras, paneles, cubiertas para cables ni soportes/tornillos antivuelco.

### Advertencia en virtud de la Proposición 65 del estado de California:

---

#### ADVERTENCIA

---

Este producto puede exponerlo a sustancias químicas, incluyendo cloruro de vinilo, que el estado de California sabe que provocan cáncer, defectos congénitos u otro daño reproductivo. Para obtener más información, ir a la página web: [www.P65Warnings.ca.gov](http://www.P65Warnings.ca.gov).

---

---

## Información General

---

### Funcionamiento con extracción de aire

**Nota:** La emisión de los gases no se debe canalizar hacia una chimenea de humo o de gases de escape que esté en funcionamiento, ni hacia un tiro que sirva para sacar el aire de las habitaciones donde haya equipos con fuego.

- Si los gases de escape se van a canalizar hacia una chimenea de humo o de gases de escape que no esté en funcionamiento, se tiene que conseguir la aprobación del especialista en chimeneas correspondiente.
- Si las emisiones de gases se canalizan a través del muro externo, se tiene que utilizar una caja telescópica para muros.

### Conducto de escape

**Nota:** La garantía del fabricante del aparato no cubre las reclamaciones que se atribuyan al segmento de conductos.

- El aparato alcanza su potencia óptima con un conducto de salida de aire rectilíneo y corto, que tenga un diámetro lo más grande posible.
- Mediante conductos de salida de aire largos y rugosos, con muchos codos o con un diámetro inferior a 6" (150 mm), no se consigue la capacidad de aspiración óptima y los ruidos del ventilador serán mayores.
- Los tubos o las mangueras para el tendido del conducto de salida del aire deben estar fabricados con material no inflamable.
- Si los diámetros del conducto difieren de lo anteriormente mencionado, utilizar cintas sellantes.

## Conexión eléctrica

---

### ⚠ ADVERTENCIA

---

#### Peligro de descarga eléctrica

Los componentes dentro del equipo pueden tener bordes filosos. Puede dañarse el cable de conexión. No retorcer ni constreñir el cable durante la instalación.

---

Compruebe la instalación principal antes de conectar la unidad. Preste atención a una adecuada protección de la instalación de la casa. Voltaje y frecuencia del dispositivo deben coincidir con la instalación eléctrica (véase placa de características).

El aparato cumple con la clase de protección I y debe utilizarse únicamente con una conexión a tierra de protección.

En la instalación debe estar presente un interruptor omnipolar con apertura de contactos de al menos 1/8" (3 mm). Éste debe ser todavía accesible después de la instalación.

La instalación o el reemplazo del cable deben llevarse a cabo sólo por personal cualificado, teniendo en cuenta las disposiciones pertinentes.

Si se daña el cable de alimentación de este aparato, sustitúyalo por un cable especial que está disponible con el fabricante o su servicio al cliente.

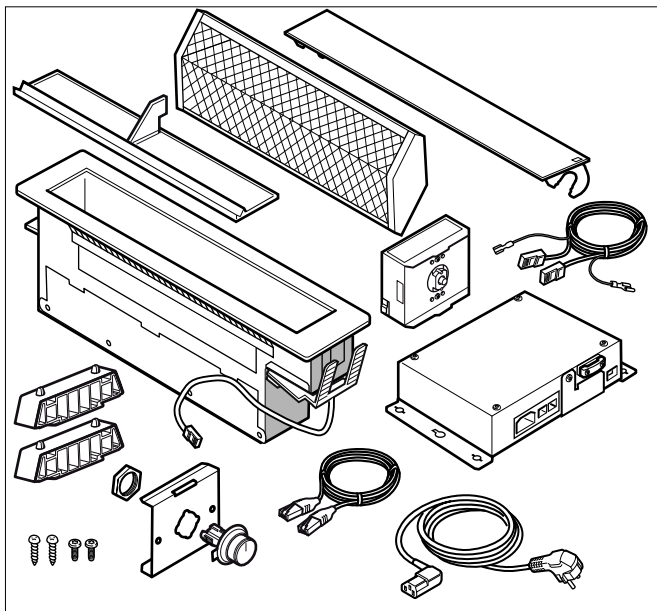
## Antes de empezar

### Herramientas y piezas necesarias

- Destornillador con cabeza Torx T20
- Lápiz
- Taladro con broca de ¼" (6 mm)
- Sierra caladora
- Cinta métrica

**Nota:** Es posible que se necesiten otros materiales para la instalación en superficies de trabajo sólidas. Comuníquese con el fabricante de la superficie de trabajo.

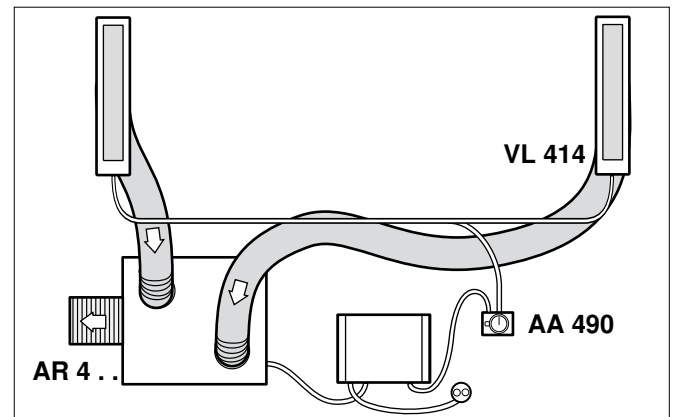
### Piezas incluidas



### Accesorios para la instalación

- VA 420 000 Barra de conexión para combinar con otros equipos Vario de la serie 400 al instalarlos uno al lado del otro con superficie corrida
- VA 420 001 Barra de conexión para combinar con otros equipos Vario de la serie 400 al instalarlos uno al lado del otro con cubierta de equipo/barra de compensación
- VA 420 010 Barra de conexión para combinar con otros equipos Vario de la serie 400 al instalarlos de forma superpuesta
- VA 420 011 Barra de conexión para combinar con otros equipos Vario de la serie 400 al instalarlos de forma superpuesta con cubierta de equipo/barra de compensación
- VA 450 110 Listón de compensación de 11 cm para compensar la altura con varios equipos Vario
- AD 724 040 Empalme para tubo redondo NW 125 mm  
Para la conexión lateral a VL, se requiere adicionalmente la placa adaptadora AD 724 041
- AD 724 041 Placa adaptadora para conexión lateral de AD 724 040 a VL
- AS 070 001 Empalme de extensión para montaje al lado de VK o VF

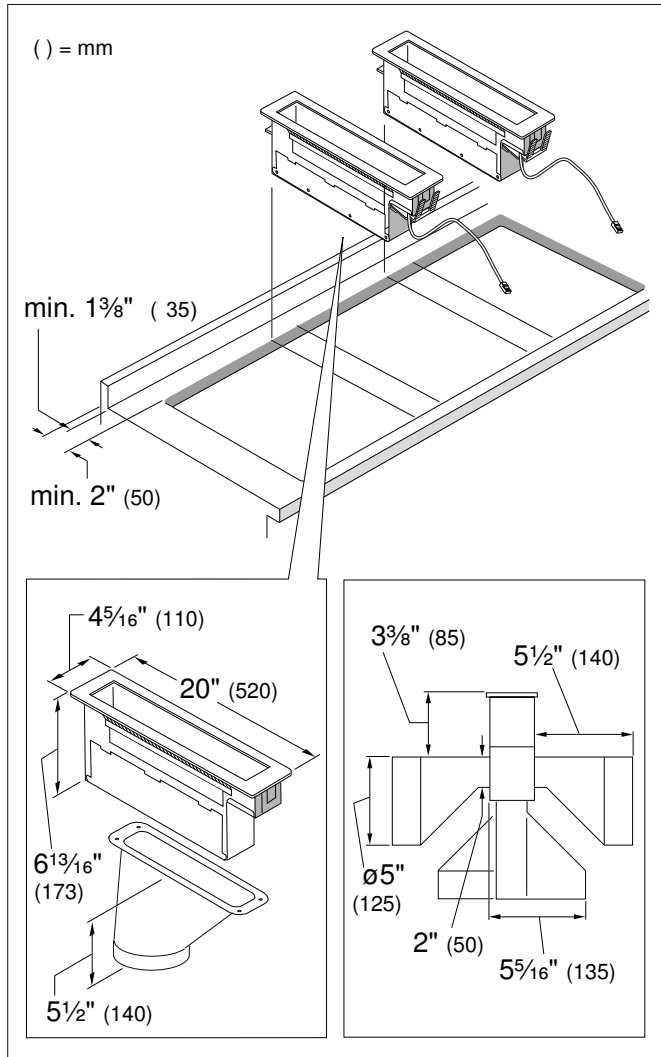
### Diagrama de instalación





## Dimensiones del equipo

Para lograr el rendimiento óptimo de la succión, la anchura máxima de una sola zona de cocción entre dos elementos de ventilación debe ser de  $23\frac{5}{8}$ " (60 cm).



## Preparación de los muebles de montaje

El mueble de empotrado tiene que resistir una temperatura de hasta  $200^{\circ}\text{F}$  ( $90^{\circ}\text{C}$ ). La estabilidad del mueble de empotrado tiene que quedar garantizada también después de los trabajos de corte para realizar un hueco.

Realice el hueco para uno o varios equipos Vario en la placa de trabajo, de acuerdo con los planos de montaje. El ángulo de la superficie de corte respecto a la placa de trabajo tiene que ser de  $90^{\circ}$ .

Los cantos laterales del corte tienen que ser planos, para garantizar una buena fijación de los resortes de sujeción en el equipo. En el caso de las placas de trabajo de varias capas, de ser necesario fije unos listones de madera a los lados del hueco.

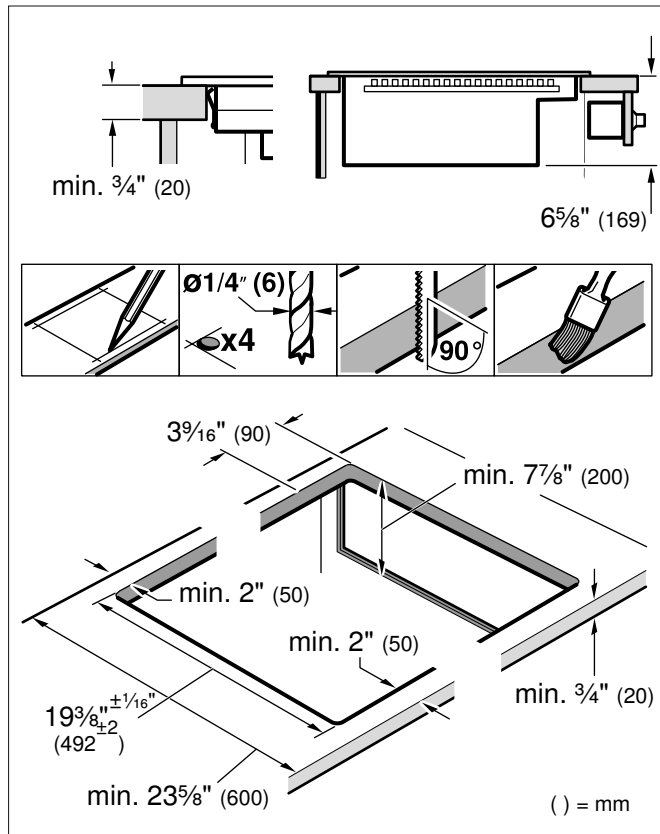
Después de los trabajos de corte, retire las virutas. Selle las superficies de corte de forma que resistan el calor y sean herméticas contra el agua.

Respete la distancia mínima de  $\frac{3}{8}$ " (10 mm) de la parte inferior del equipo respecto a las partes del mueble.

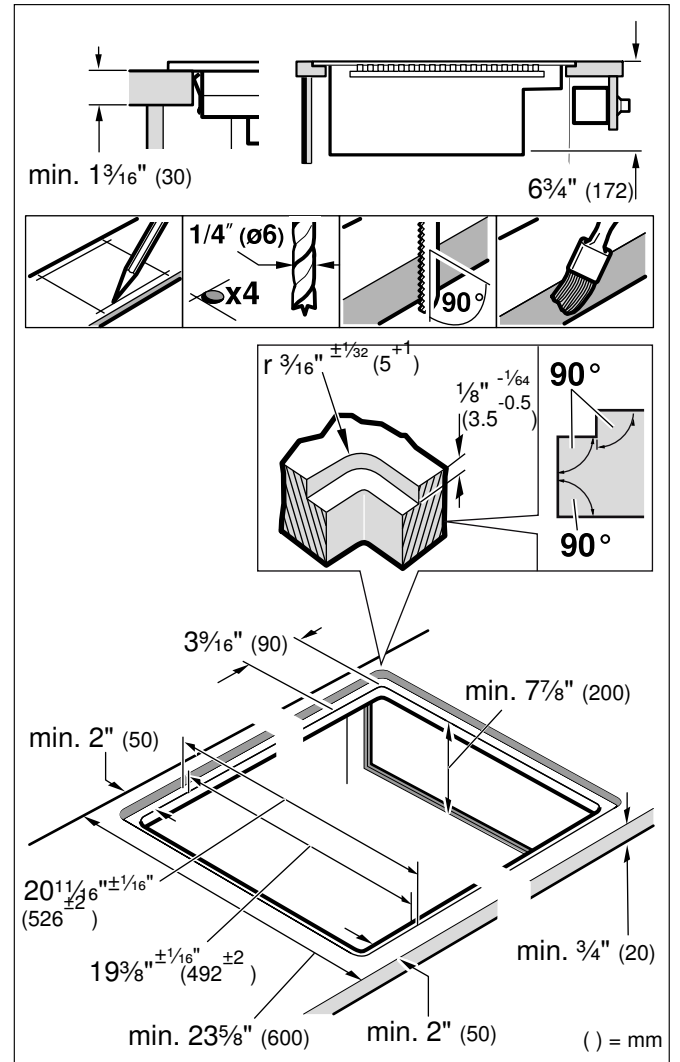
Es necesario asegurar la capacidad de carga y estabilidad a través de estructuras inferiores de apoyo adecuado, especialmente en placas de trabajo delgadas. Tome en cuenta el peso del equipo, incluyendo la carga adicional. El material de refuerzo utilizado debe ser resistente al calor y resistente a la humedad.

**Nota:** Verifique que el equipo está colocado de forma plana solamente después de instalarlo en el orificio de montaje.

## Recortar la encimera



**Montaje a ras de superficie:** se puede realizar un montaje a ras de superficie de la encimera.



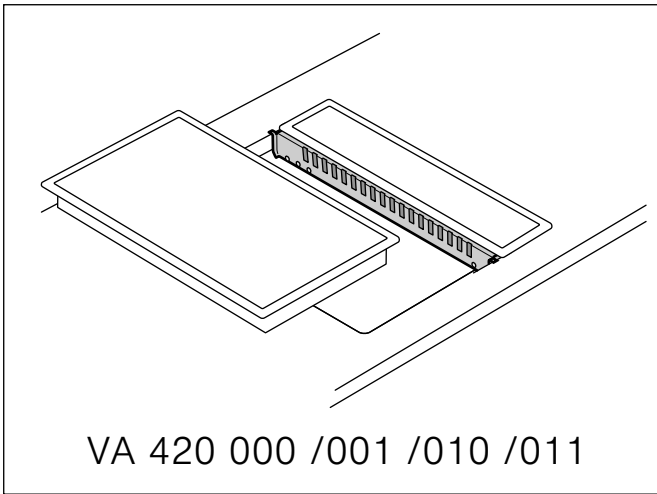
**Montaje a ras de superficie:** El aparato se puede montar en las siguientes encimeras resistentes a la temperatura y al agua:

- Encimeras de mármol
- Encimeras de plástico o Corian®
- Encimeras de madera maciza: Solo de acuerdo con el fabricante de la encimera (sellado de los bordes de recorte)
- Montaje en otro tipo de encimeras: solo de acuerdo con el fabricante de la encimera

No se puede realizar el montaje en encimeras de madera aglomerada.

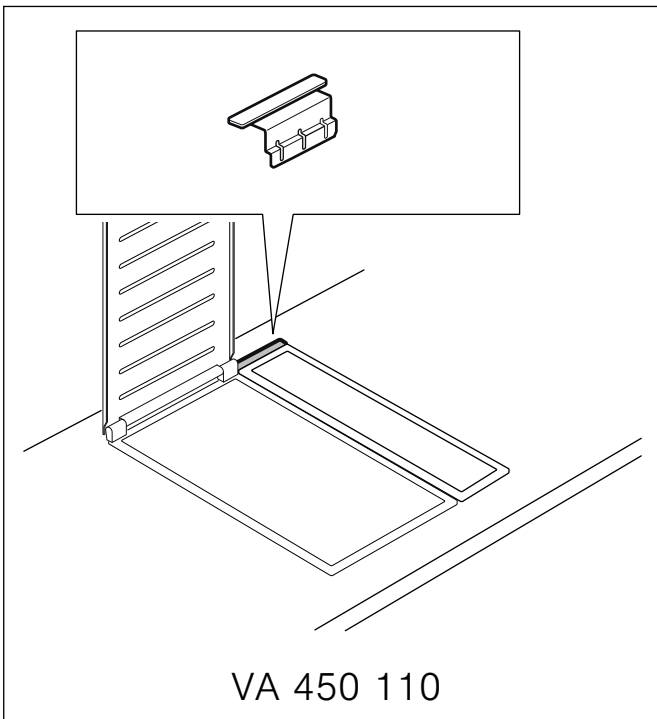
**Nota:** Todos los trabajos de recorte de la encimera deben ser realizados por un servicio especializado de acuerdo con el croquis de montaje. El recorte debe ser limpio y preciso, puesto que el borde cortado se ve en la superficie. Limpie y desengrase los bordes de recorte utilizando un producto de limpieza adecuado (consulte las indicaciones del fabricante de la silicona).

**Combinar varios aparatos Vario:** Para combinar varios aparatos Vario se requiere la barra de conexión VA 420 000/001/010/011. Esta está disponible por separado como accesorio especial. Considerar la necesidad adicional de espacio para la barra de conexión entre los aparatos al elaborar el corte (ver las Instrucciones de instalación VA 420 000/001/010/011).



Los equipos se pueden instalar también en huecos individuales, manteniendo una distancia mínima de separación entre los equipo de 2" (51 mm).

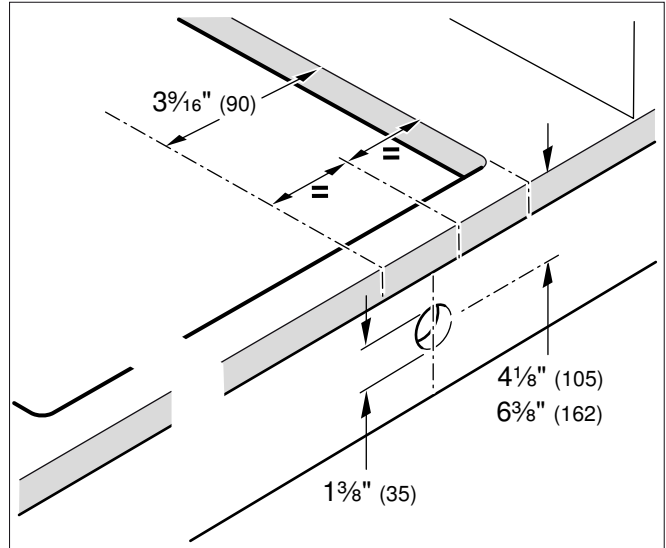
Para la combinación de aparatos con o sin cubierta de aparatos, se pueden compensar las diferencias de medidas mediante la prolongación de aparatos VA 450 110/-401/-600/-800/-900 (según el ancho del aparato).



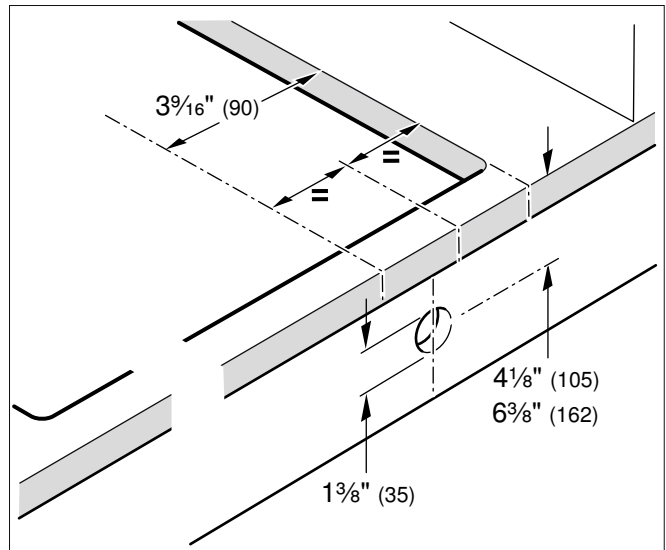
## Perforación para la perilla de mando

El tablero de mandos incorporado está integrado en el gabinete a la altura del cajón. Grueso del panel:  $\frac{5}{8}$ " - 1" (16 - 26 mm)

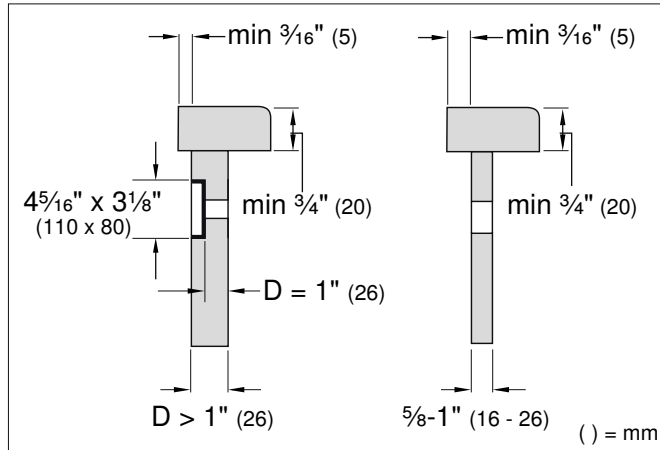
- 1 Realice las perforaciones de acuerdo a la figura  $\text{Ø } 1 \frac{3}{8}$ " (35 mm) para fijar la perilla de mando en la parte frontal del gabinete. Una plantilla de perforación se adjunta para el posicionamiento exacto de los agujeros de taladro.



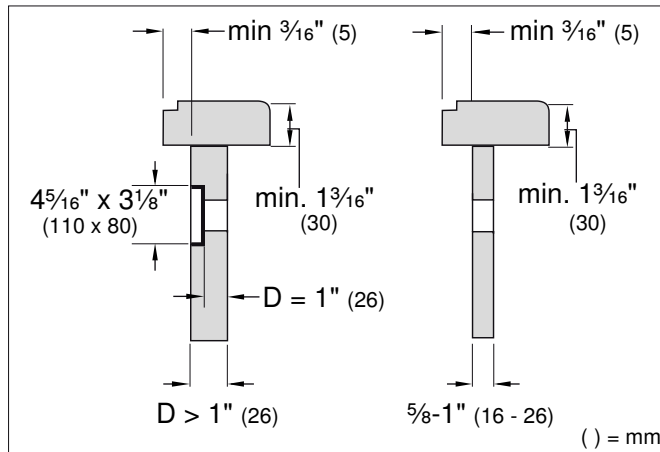
Para la instalación al ras:



- 2 Si el panel frontal tiene un espesor superior a 1" (26 mm): Realice un fresado en la parte posterior del panel frontal, de manera que el espesor no sea mayor a 1" (26 mm). Realice las dimensiones del fresado de manera correspondiente al tablero de mandos.



Para la instalación al ras:

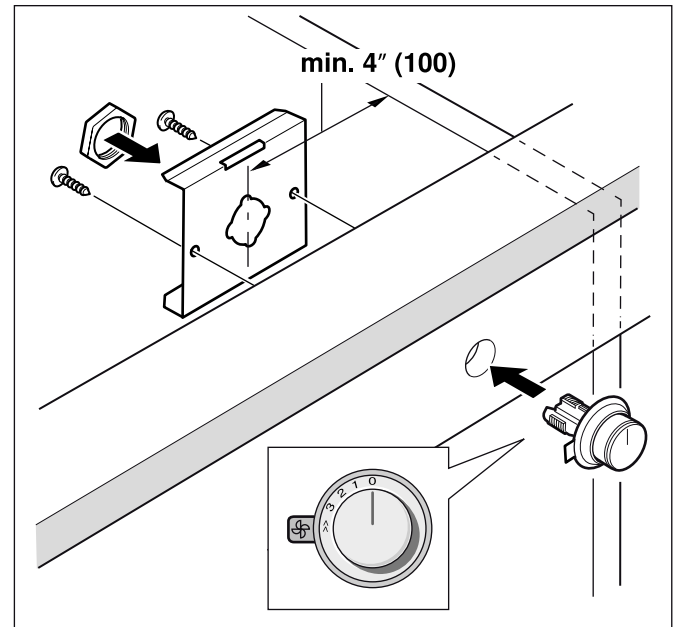


## Procedimiento de instalación

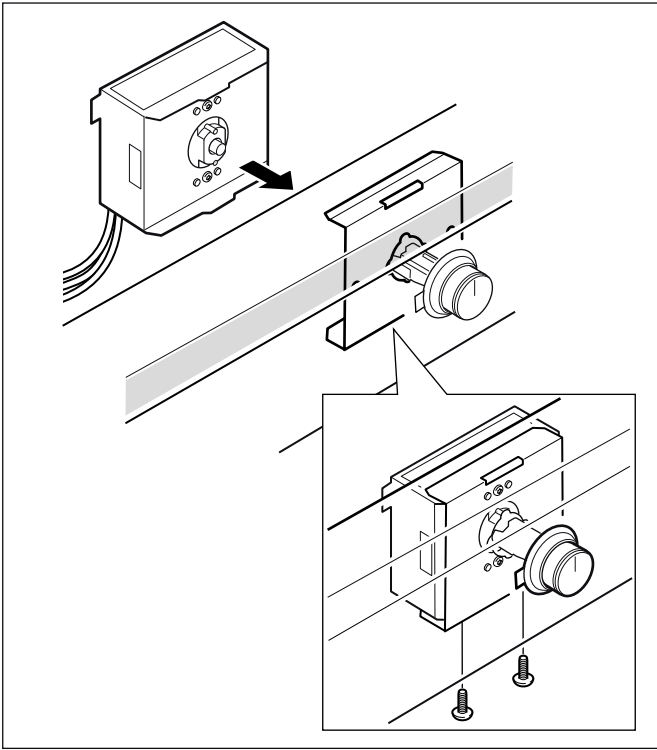
### Montar el panel de mandos

**Nota:** El aparato únicamente se debe montar con el panel de mandos correcto.

- 1 Retire el embalaje de los módulos de mando y extraiga la lámina de protección de los anillos luminosos.
- 2 Sostenga la lámina de sostén desde atrás contra la pantalla frontal. Introduzca la perilla de mando desde adelante en las perforaciones, y fijela por detrás con la tuerca.



- 3 Atornille el panel de control a la placa de montaje con los tornillos incluidos.



**⚠ ATENCION**

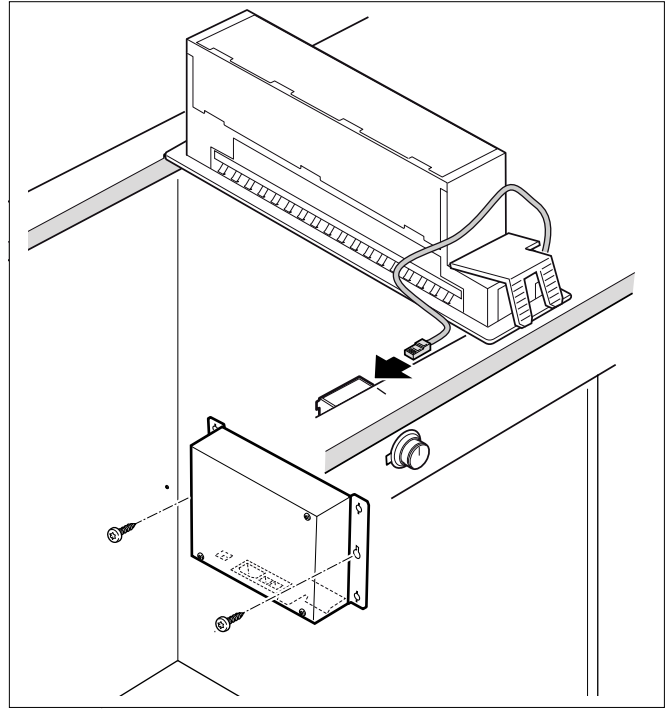
¡Daños al equipo! Conecte la conexión equipotencial. Antes de poder conectar el cable de control del tablero de mandos, debe aplicarse el cable a tierra de la unidad de control al tablero de mandos.

## Montaje del aparato

**⚠ ADVERTENCIA**

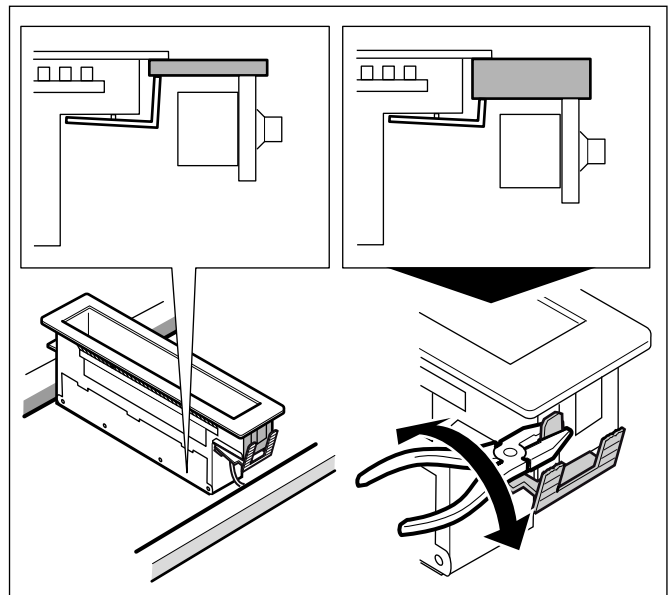
Antes de enchufar un cable eléctrico o activar el suministro eléctrico, asegurarse de que todos los controles están en la posición OFF.

- 1 Introducir el cable de control en el buje del panel de control. El enchufe tiene que encajar.



- 2 Acortar el tensor delantero de la zona de cocción conforme al grosor de la cubierta. Cortar la lámina en el punto de rotura controlada.

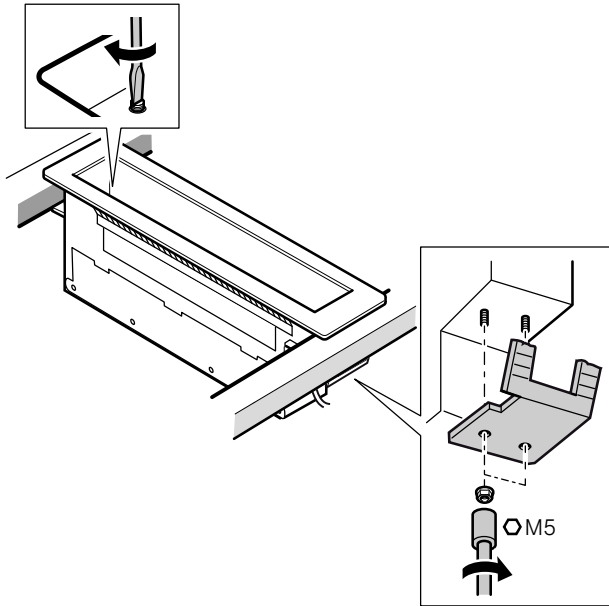
**Nota:** Asegurarse de no recortarla demasiado; debe garantizarse el efecto de tensado sobre la cubierta.



Introducir en posición horizontal el aparato en el agujero y alinearlos. Apretar el tensor de la zona de cocción con los tornillos en la parte interior del aparato. Apretar el tensor de la zona de cocción delantero desde abajo.

**Notas**

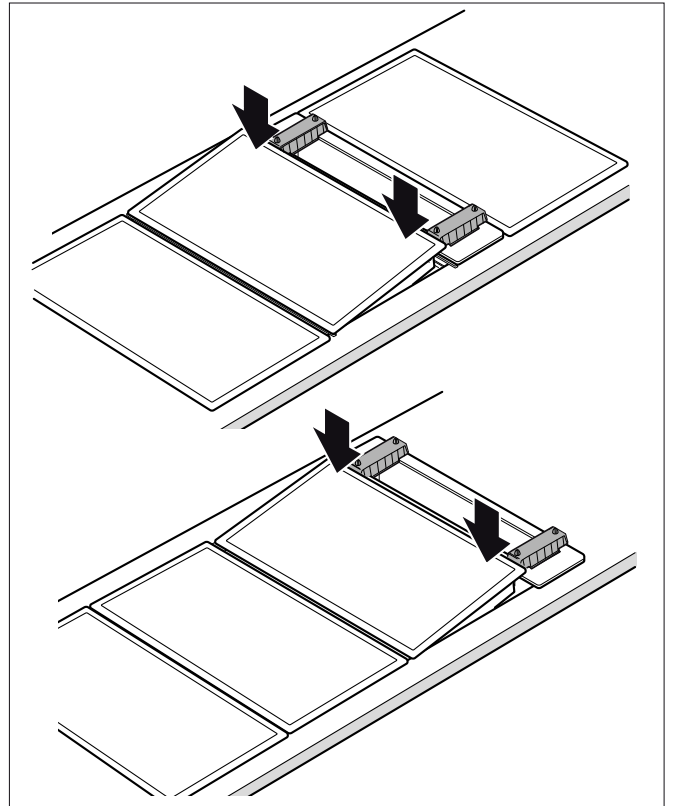
- No apretar demasiado el tensor de la zona de cocción; asegurarse de que la ranura de obturación sea uniforme en todo el contorno.
- Al apretarlo, el tensor trasero de la zona de cocción gira hacia fuera por sí mismo.
- El aparato no debe pegarse a la cubierta con silicona.



**3** Usar la ayuda de montaje. Introducir y alinear la ventilación de la tina en el hueco correspondiente. Quitar el elemento de cierre. Colocar la ayuda de montaje en diagonal en el hueco de ventilación y alinearla de forma vertical al equipo. Coloque el equipo en diagonal frente a la ventilación de la tina y presiónelo para introducirlo en el hueco con la ayuda de montaje. Retire la ayuda de montaje. Fijar la ventilación como se describió anteriormente.

**Notas**

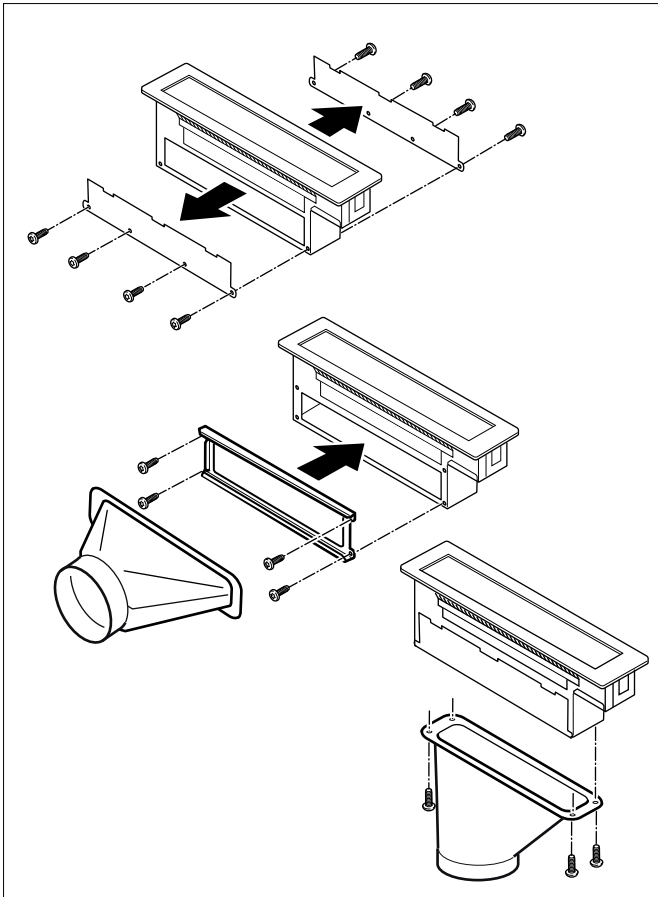
- Si la ventilación de la tina se encuentra en una combinación con varios equipos Vario en el penúltimo o último lugar, se tiene que utilizar la ayuda de montaje incluida.
- La ayuda de montaje protege los bordes del dispositivo contra daños.



**4** Monte los empalmes en la posición deseada.

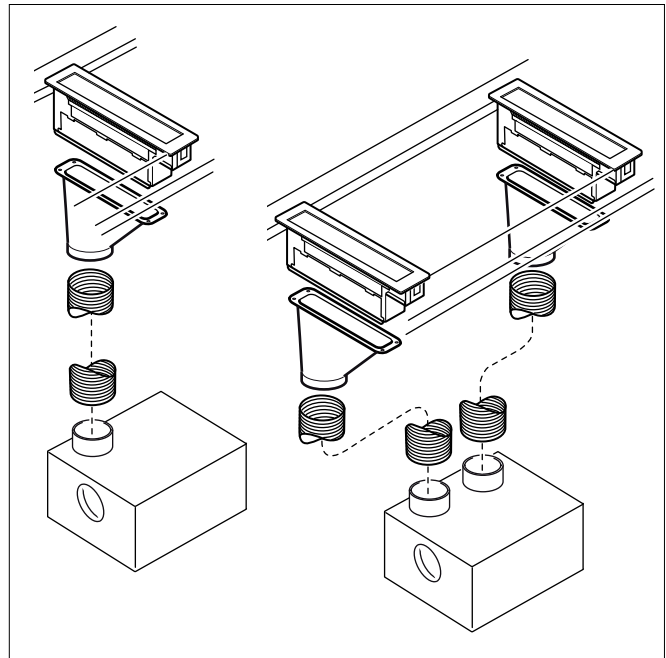
**Notas**

- Según la situación de la instalación, el conducto de escape puede ir en tres diferentes direcciones.
- Según las condiciones del espacio, el empalme se puede girar 180°.
- Con respecto al conducto de escape, tome en cuenta también el instructivo del componente del ventilador.



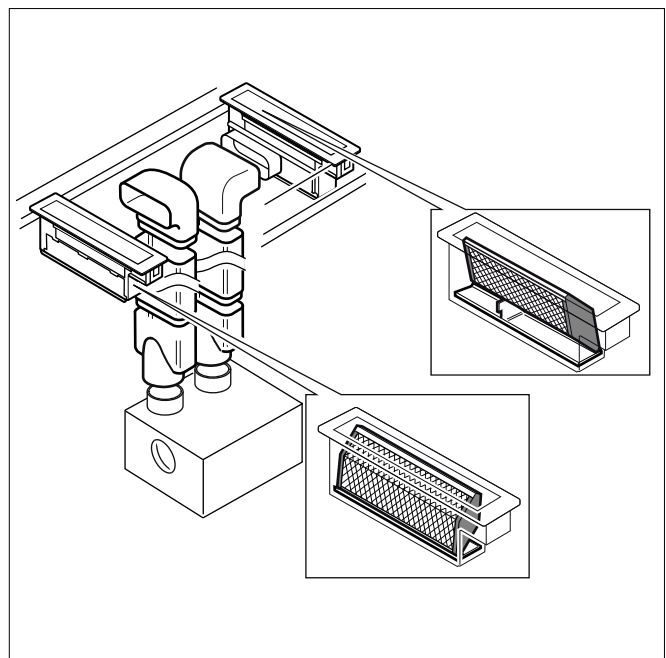
**5** Fije el tubo de escape en el empalme y séllelo adecuadamente.

**Nota:** Si se utiliza un tubo de aluminio, aplane antes la sección de conexión.

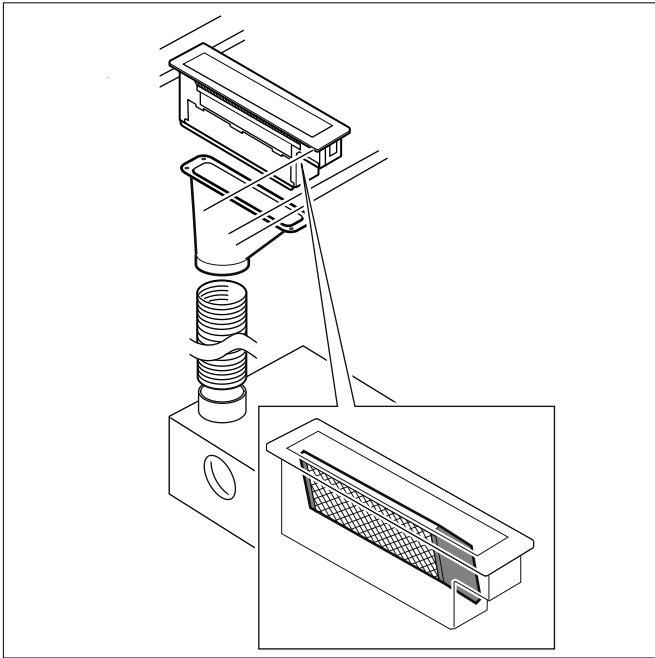


**6** Montar el filtro antigrasa:

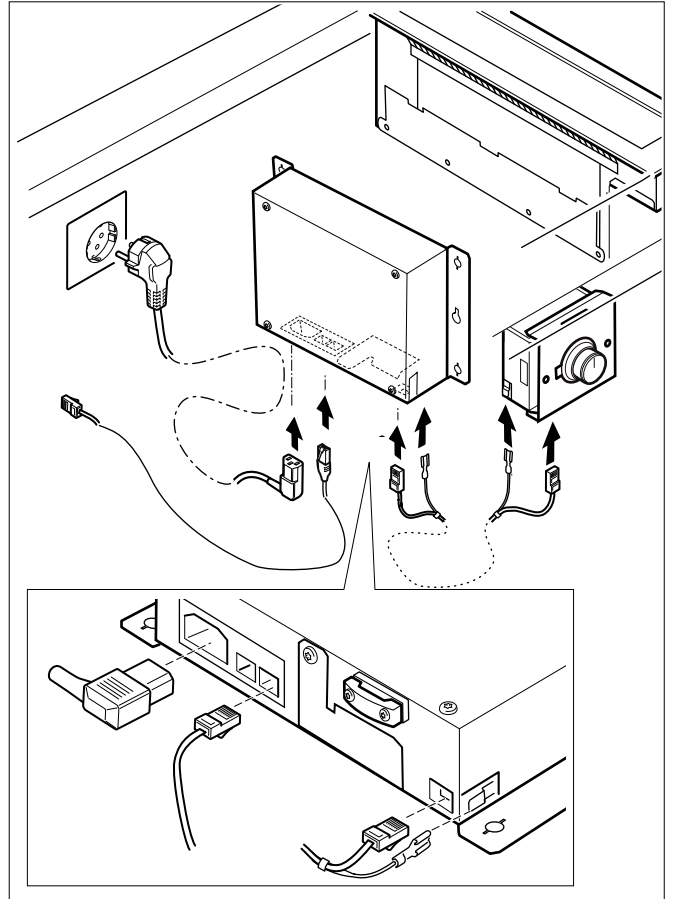
La placa de posicionamiento sirve para colocar correctamente el filtro antigrasa en caso de que la salida de aire sea lateral. Insertar la placa de posicionamiento en el elemento de ventilación de manera que el ángulo central señale hacia la salida de aire. Colocar el filtro antigrasa sobre la placa de posicionamiento.



Si la salida de aire está orientada hacia abajo, colocar el filtro antigrasa en el elemento de ventilación sin utilizar la placa de posicionamiento. La orientación del filtro antigrasa es irrelevante.



- 7 Introducir el cable de control de la unidad de mando en el buje del panel de control. Conectar la unidad de mando y el módulo del ventilador con el cable de control. Todos los enchufes tienen que encajar. Conectar la unidad de mando y el módulo del ventilador a la red y comprobar si funcionan. Si el aparato no funciona, comprobar si el cable está fijado correctamente.



- 8 **Sólo para modelos con diseño empotrado a nivel:** ¡Antes de cubrir las rendijas, lleve a cabo sin falta una prueba de funcionamiento! La rendija circundante se debe cubrir con un pegamento de silicón adecuado, resistente a altas temperaturas (p. ej. OTTOSEAL® p. 70). Aplane la rendija de cierre hermético con el medio de aplanado recomendado por el fabricante. Tome en cuenta las indicaciones de trabajo del pegamento de silicón. Ponga el equipo en funcionamiento solamente hasta que el pegamento de silicón se haya secado totalmente (por lo menos 24 horas, según la temperatura ambiente).

**AVISO:** El pegamento de silicón inadecuado produce decoloraciones permanentes en las placas de trabajo de piedra natural.



## Conexión de la alimentación eléctrica

---

### ADVERTENCIA

---

#### **Peligro de descarga eléctrica**

Los componentes dentro del equipo pueden tener bordes filosos. Puede dañarse el cable de conexión. No retorcer ni constreñir el cable durante la instalación.

---

Para más información, véase la placa de características. Véase la ubicación de la placa de características en "Servicio".

El amperaje máximo de los disyuntores derivados, la sección de los cables y las conexiones deben ser conformes con los requisitos del Reglamento electrotécnico nacional o el Reglamento eléctrico canadiense, así como con todos los demás reglamentos y disposiciones locales.

#### **Este aparato tiene conexión con un enchufe**

- El enchufe debe ser conforme con las CONFIGURACIONES NEMA PARA ENCHUFES Y CAJAS.
- El aparato debe estar debidamente conectado a tierra.
- El enchufe debe ser, como mínimo, de tipo 6-20 P (puesta a tierra de 2 polos y 3 conductores).
- La conexión del enchufe debe ser realizada únicamente por un técnico electricista cualificado.
- Instalar una base de enchufe aprox. 27" (700 mm) por encima del suelo y detrás del aparato de acuerdo con la normativa. Debe garantizarse el acceso a la base de enchufe después de su instalación.

## Guía conductora de aire

Si la ventilación de la cubeta se opera al lado de un aparato de gas, al cocinar se tiene que poner una guía conductora del aire AA 414 010 sobre el aparato de gas. La guía conductora del aire mejora la acción absorbente en los aparatos de gas. La guía conductora de aire evita que las llamas pequeñas se apaguen por la corriente de aire.

AA 414 010 Guía conductora de aire, para usarse junto al equipo de gas VG 414/415/424/425

## Desmontaje del aparato

Desconecte el aparato de la corriente. En los aparatos montados a ras de superficie, retire la junta de silicona. Extraiga el aparato presionando desde abajo.

---

### ATENCION

---

¡Daños en el aparato! No intente extraer el aparato haciendo palanca desde arriba.

---

---

## Conexión para interruptor de contacto de la ventana AA 400 510

---

Los trabajos en la conexión para el interruptor de contacto de la ventana solo deben llevarlos a cabo electricistas profesionales que conozcan las disposiciones y normativas vigentes en el país correspondiente.

El aparato cuenta con una conexión X17 para un interruptor de contacto de la ventana. El interruptor de contacto de la ventana es adecuado tanto para la instalación encajado como para la instalación en superficie. Se envía el interruptor de contacto de la ventana AA 400 510 por separado, como accesorio. Se deben tomar en cuenta las instrucciones de colocación adjuntas al interruptor de contacto de la ventana.

Cuando el interruptor de contacto de la ventana está conectado, la ventilación de la campana extractora funciona únicamente con la ventana abierta. La iluminación funciona también con la ventana cerrada.

Si se conecta la ventilación con la ventana cerrada, parpadea el pulsador del nivel de ventilación seleccionado y la ventilación permanece desconectada.

Si se cierra la ventana estando conectada la ventilación, el aparato desconecta la ventilación en un intervalo de 5 s. El pulsador del nivel de ventilación seleccionado parpadea.

Un deshollinador debe valorar todas las conexiones de ventilación junto con un interruptor de contacto de la ventana.

---

## Servicio de atención al cliente

---

Si su aparato necesita una reparación, nuestro servicio de atención al cliente estará encantado de ayudarle. Siempre encontramos la solución adecuada, incluso para evitar visitas innecesarias de los técnicos.

Cuando llame por teléfono, indique la referencia del producto (Nº E) y el número de fabricación (Nº FD) para que podamos ofrecerle un servicio cualificado. La placa de identificación con los números correspondientes los encontrará en la parte inferior del aparato. Para evitar tener que buscar los datos de su aparato cuando los precise, es aconsejable anotarlos aquí conjuntamente con el número de teléfono del Servicio de atención al cliente.

---

Nº E.

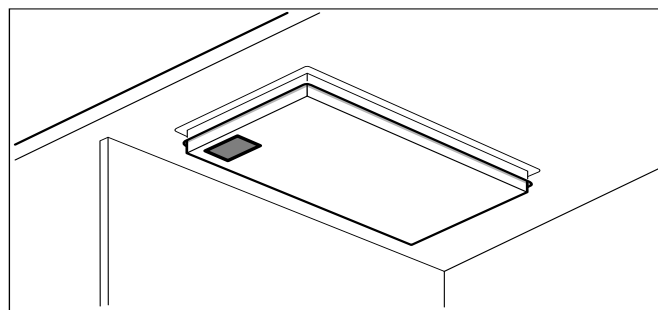
Nº FD.

---

Servicio de atención al cliente ☎

---

Tenga en cuenta que la visita del técnico del servicio de atención al cliente no es gratuito en caso de que el mal funcionamiento sea debido a un manejo incorrecto del aparato.



Las señas de las delegaciones internacionales figuran en la lista adjunta de centros y delegaciones del Servicio de Asistencia Técnica Oficial.

### Solicitud de reparación y asesoramiento en caso de averías

US 877 442 4436  
toll-free

Confíe en la competencia del fabricante. De esa forma se asegura de que la reparación se lleva a cabo por personal técnico debidamente instruido, equipado con las piezas originales y de repuesto necesarias para su aparato.

AA490-111  
220-230V - 50/60Hz  
AA490-711  
120V - 50/60Hz

Re: Released

Designation  
**Connection Diagram**  
AA490-111/711

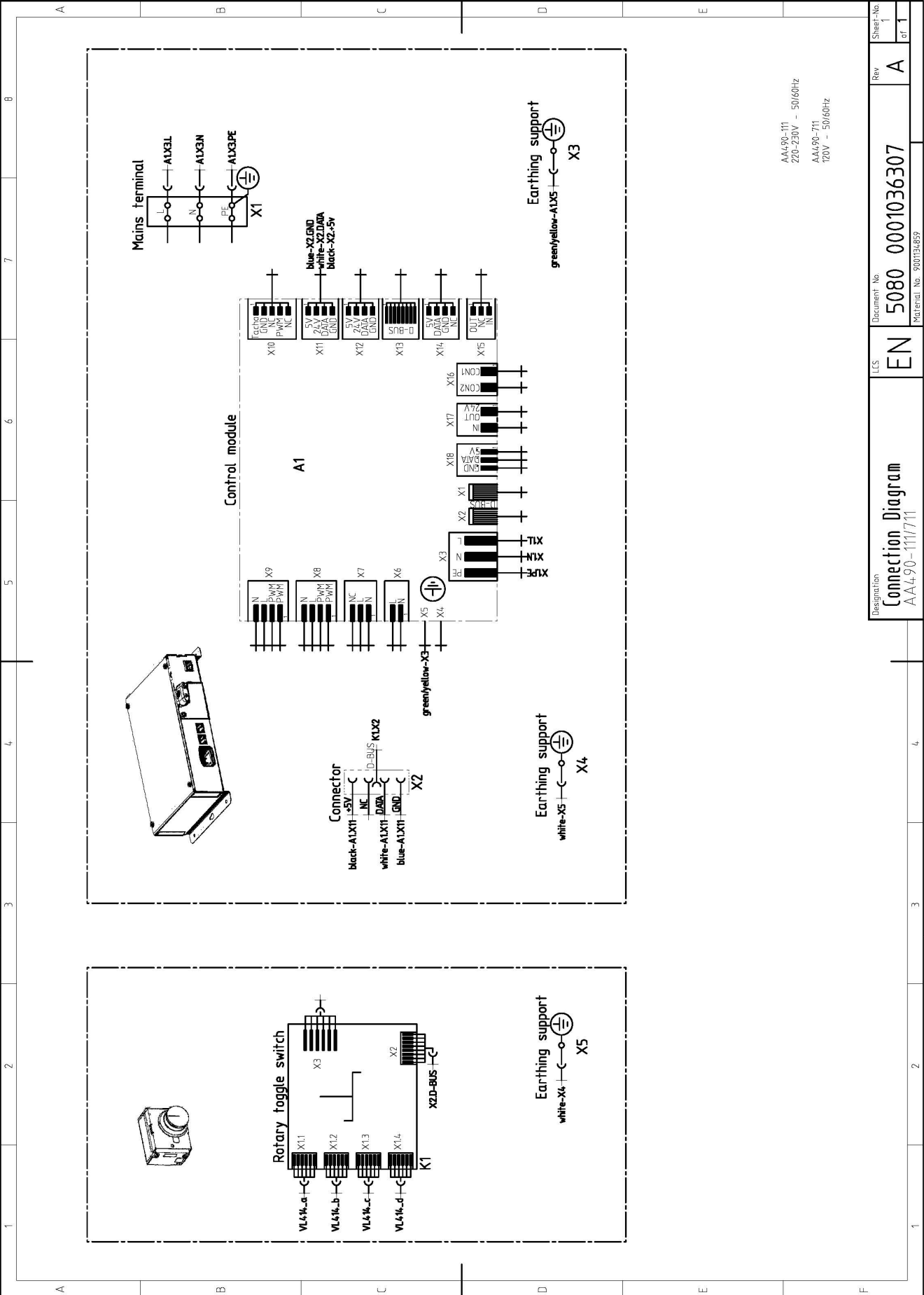
LLS  
**EN**

Document No.  
**5080 0001036307**

Rev  
**A**

Sheet No.  
1

of 1



The reproduction, transmission or use of this document or its contents is not permitted without express written authority; offenders will be liable for damages. All rights including rights created by patent grant or registration of a utility model or design are reserved. Copyright reserved.  
 Intended changes opposing release specimen or specification offer must be advised  
 in time and may only be introduced following written clearance. Detailing designs  
 will be released

**Gaggenau**

BSH Home Appliance Corporation  
1901 Main Street, Suite 600  
Irvine, CA 92614  
+1-877-442-4436

[www.gaggenau.com/us](http://www.gaggenau.com/us)

© 2018 BSH Home Appliances

**Gaggenau Hausgeräte GmbH**

Carl-Wery-Straße 34  
81739 München  
GERMANY

**GAGGENAU**



9001140983 en-us, es-mx, fr-ca (980605)