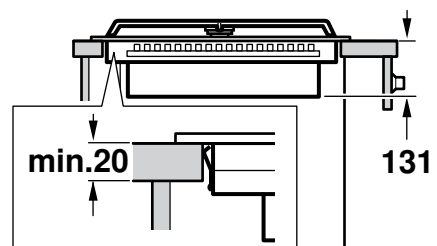
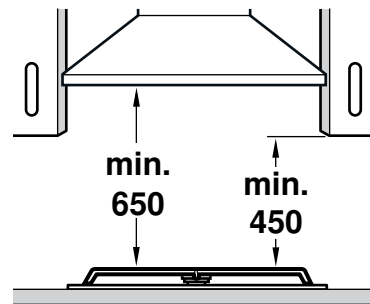
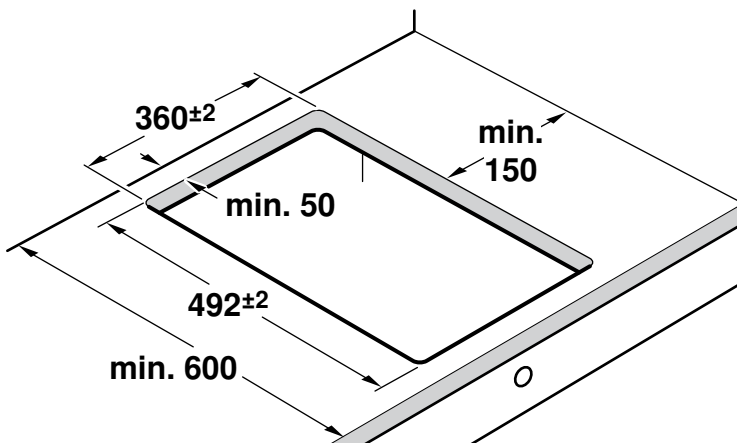
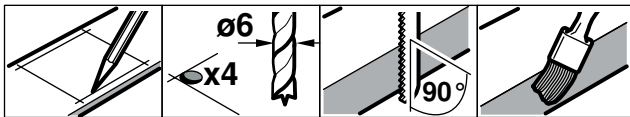
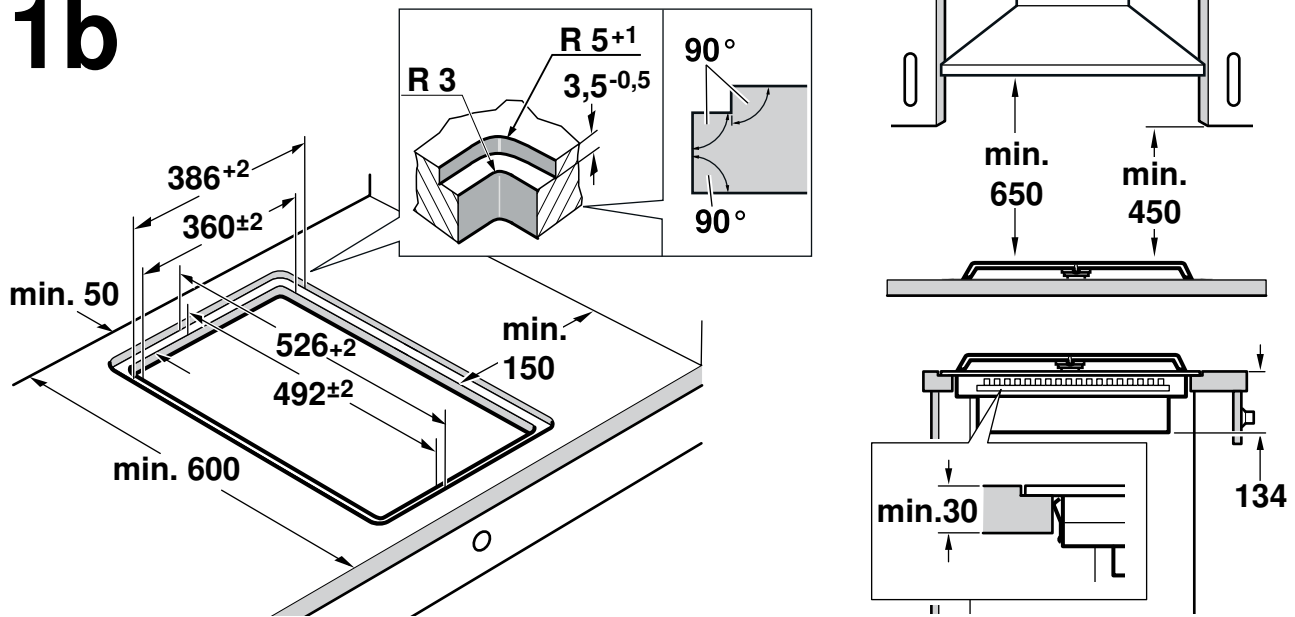


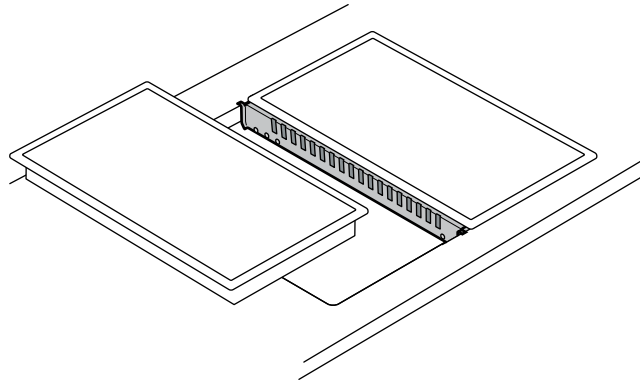
1a



1b

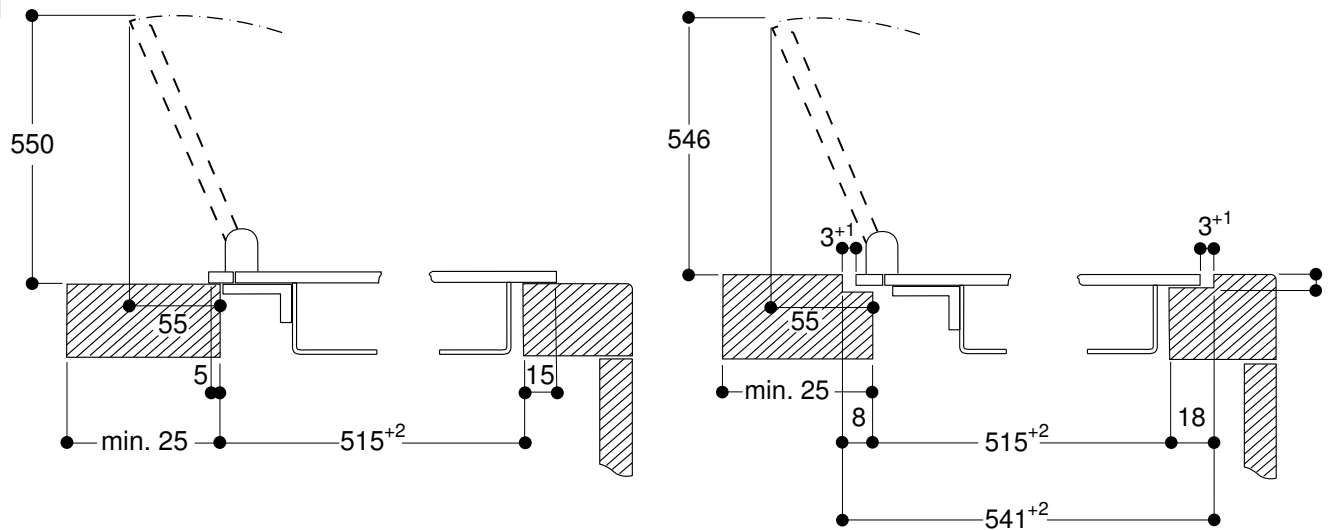


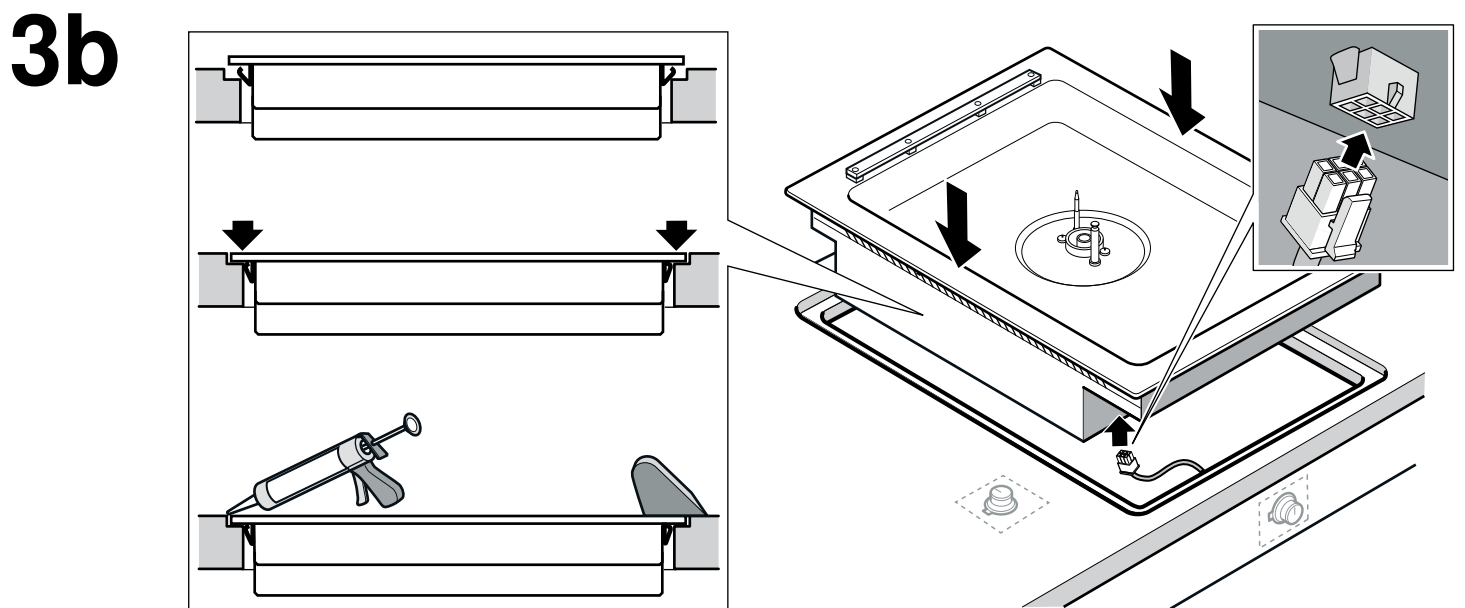
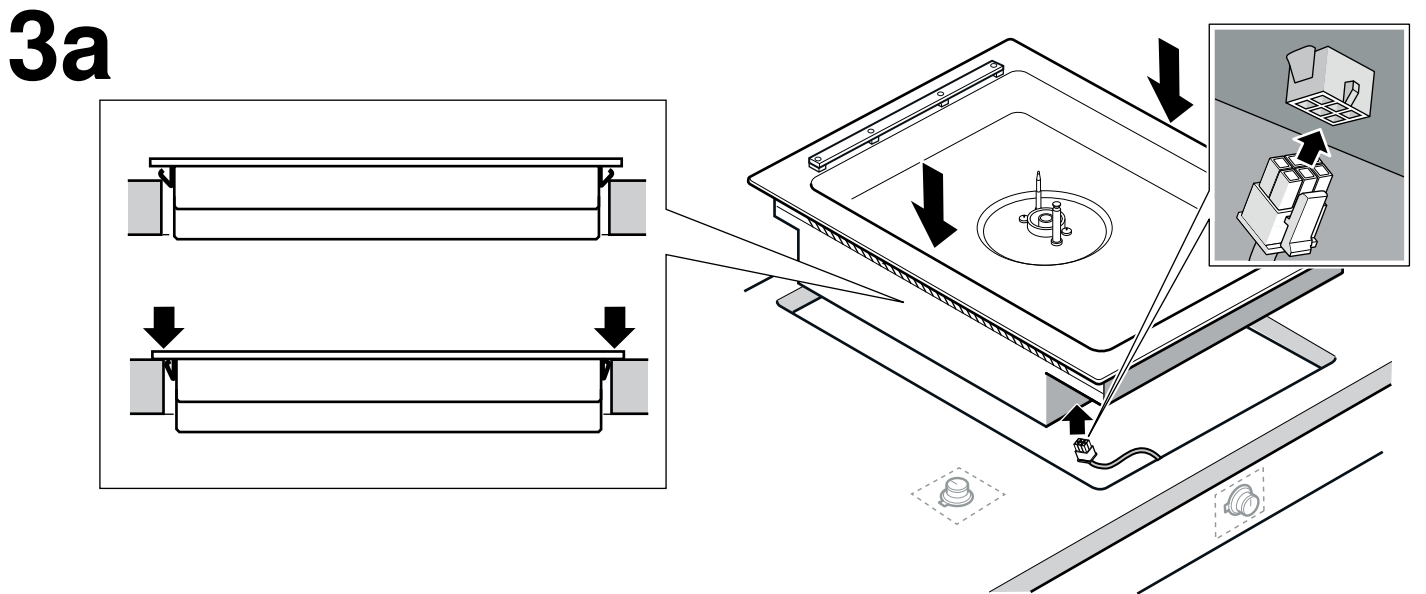
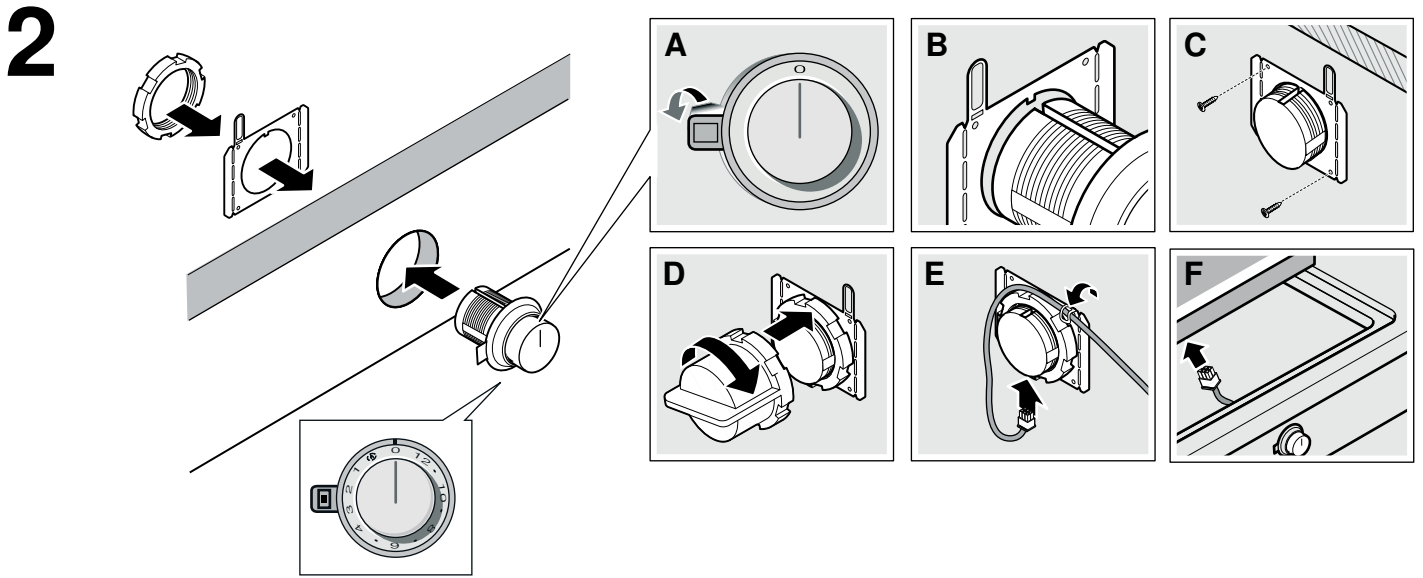
1c



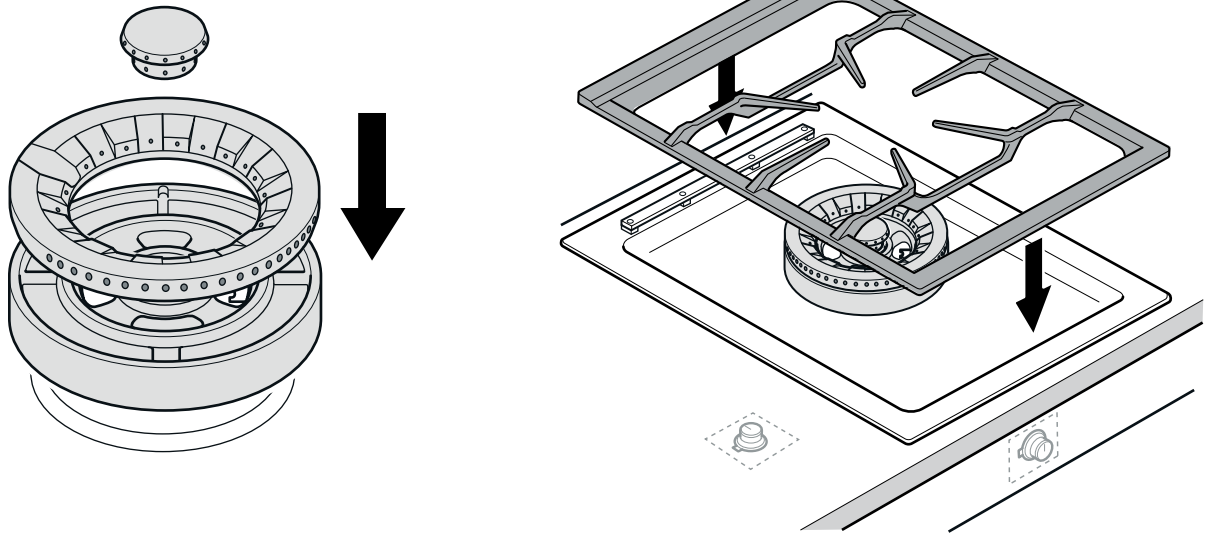
VA 420 000/010

1d

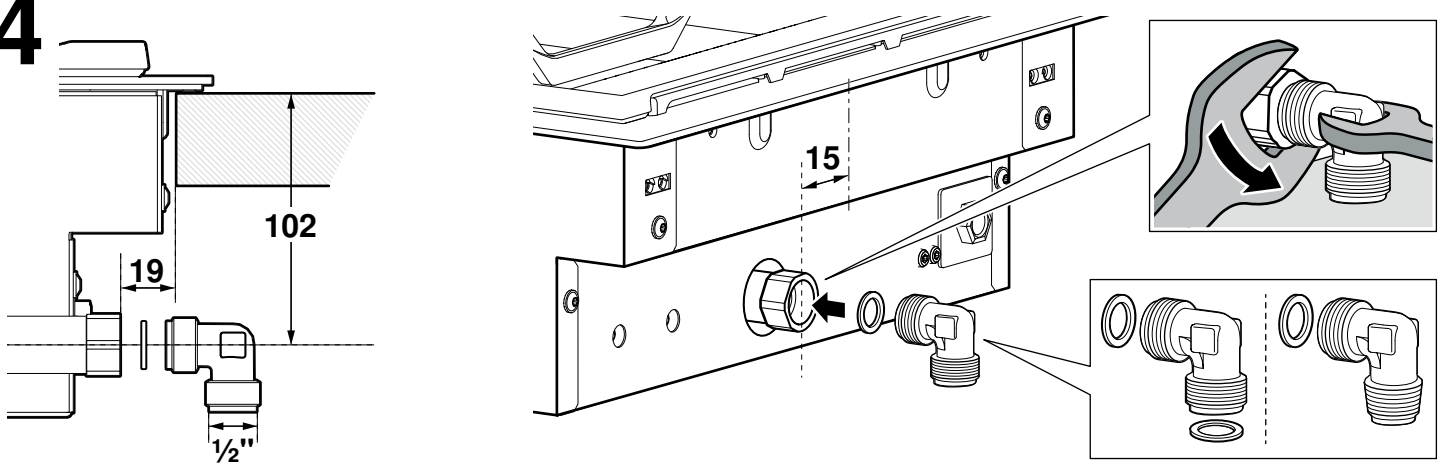




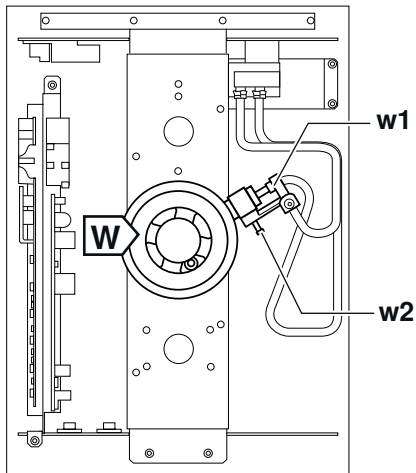
3c





4

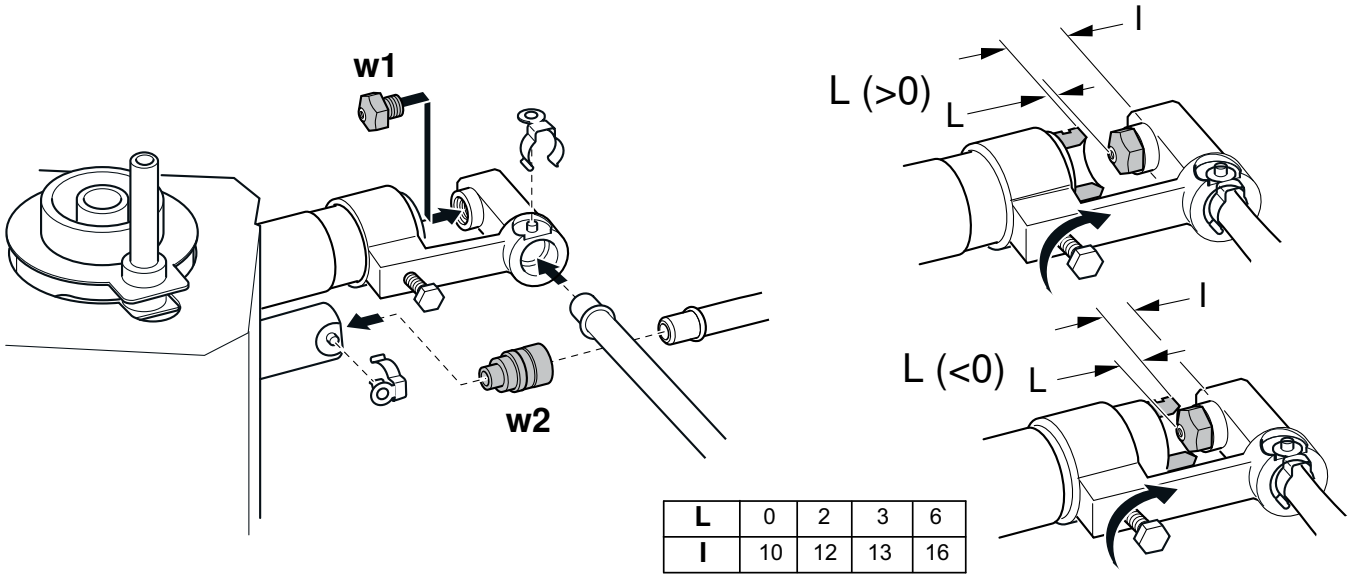


5

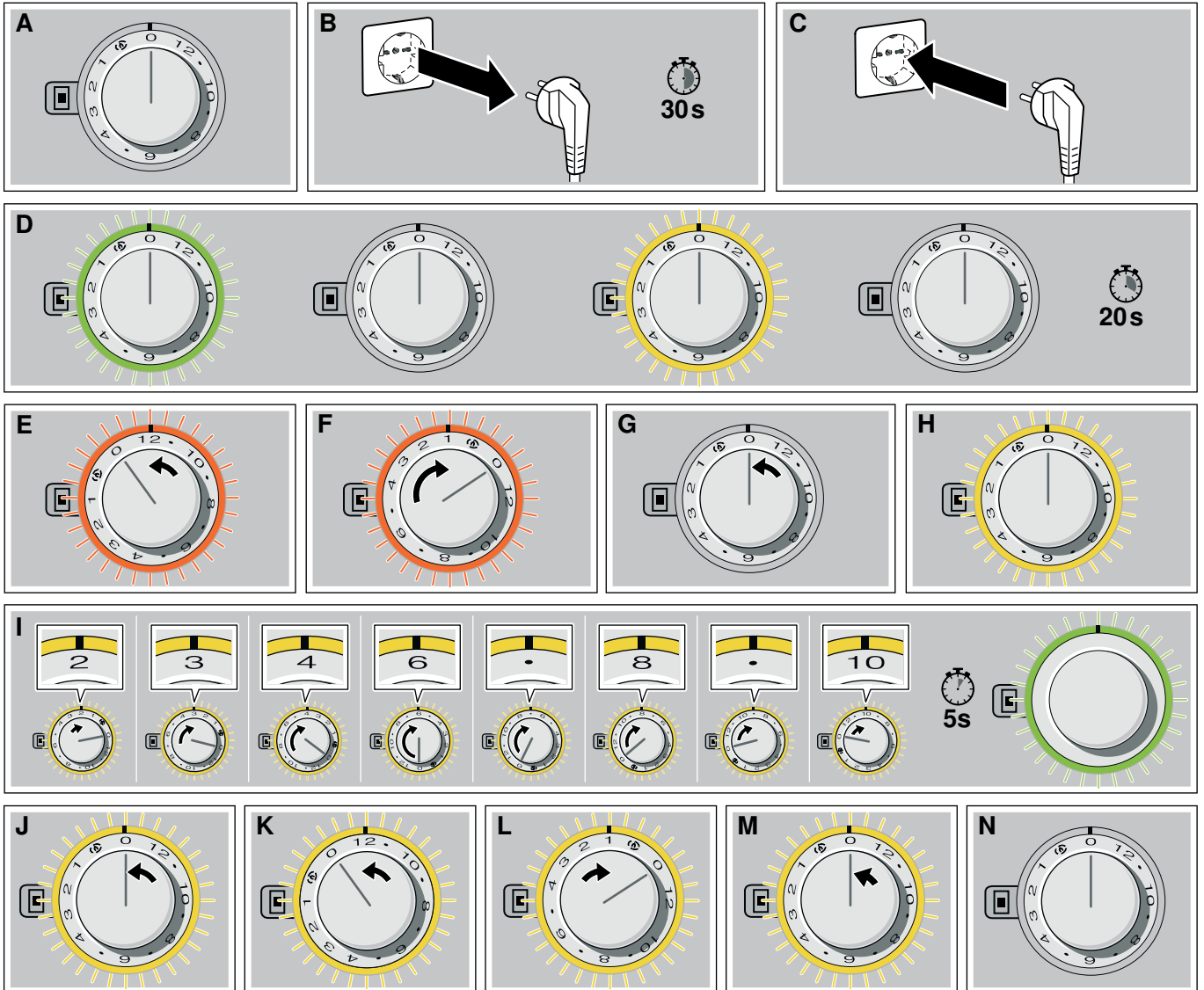


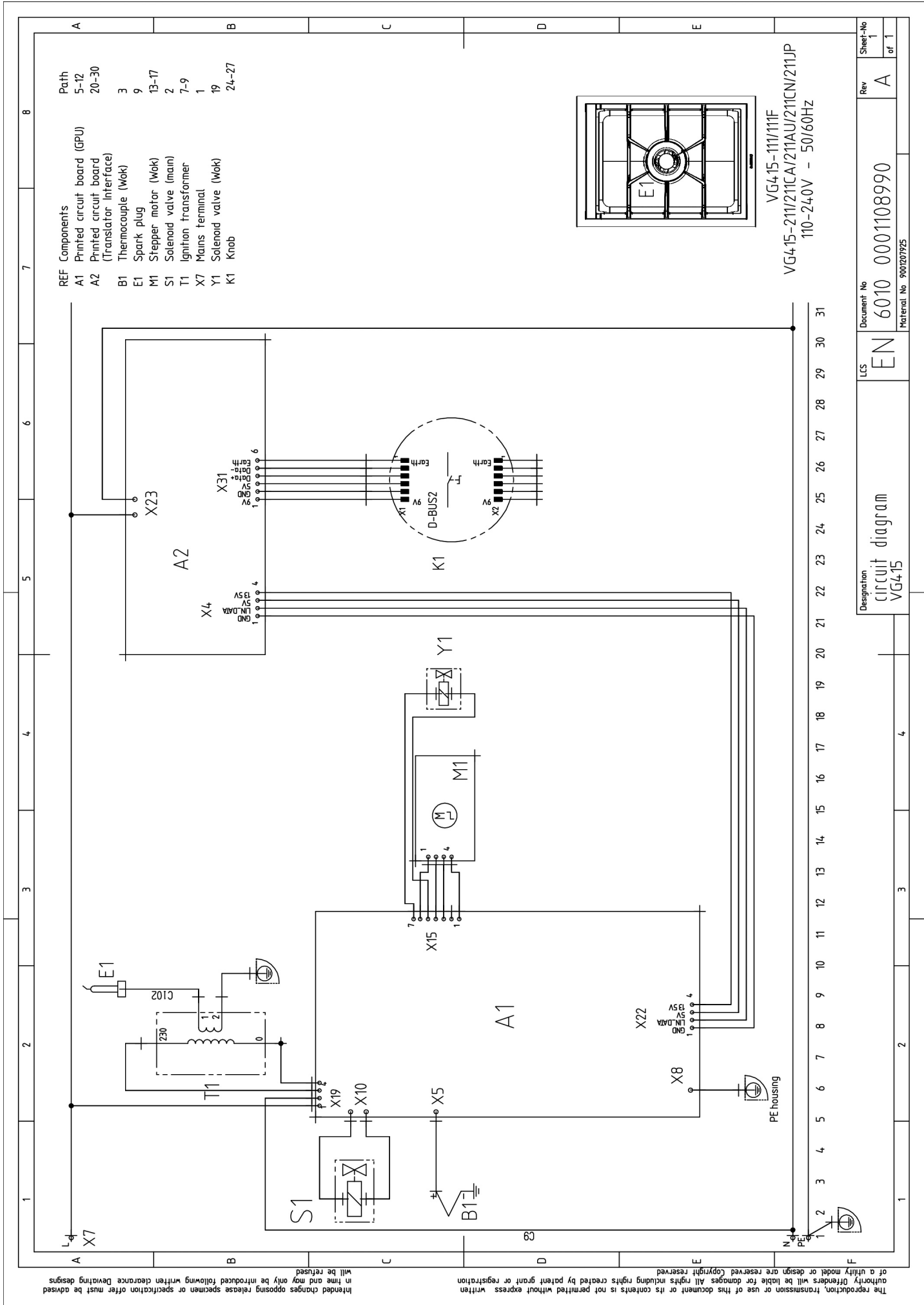
	W	Natural Gas 1.0kPa/10mbar	ULPG 2.75kPa/27.5mbar
	w1	195	110A
		L 6 mm	L 0 mm
	w2	67	42
		18 MJ/h (5 kW)	18 MJ/h (5 kW)

6

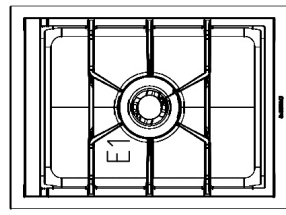


7





REF	Components	Path
A1	Printed circuit board (GPU)	5-12
A2	Printed circuit board (Translator interface)	20-30
B1	Thermocouple (Wok)	3
E1	Spark plug	9
M1	Stepper motor (Wok)	13-17
S1	Solenoid valve (main)	2
T1	Ignition transformer	7-9
X7	Mains terminal	1
Y1	Solenoid valve (Wok)	19
K1	Knob	24-27



VG415-111/111F
 VG415-211/211CA/211AU/211CN/211JP
 110-240V - 50/60HZ

Designation	EN	LCS	Document No	Rev	Sheet-No
			6010	A	1
circuits diagram			Material No		of 1
VG415			900207925		

The reproduction, transmission or use of this document or its contents is not permitted without explicit written authority. Offenders will be liable for damages. All rights including rights created by patent grant or registration in force and may only be introduced following written clearance offer. Deviating designs intended changes opposing release specimen or specification offer must be advised in time and may only be introduced following written clearance offer. Deviating designs will be refused.

Important notes

Read these instructions carefully and keep them in a safe place. Safety during use can only be ensured if the appliance is fitted correctly according to these installation instructions. The installer is responsible for ensuring that the appliance operates perfectly at the point of installation.

The appliance must be connected to the mains only by an authorised person.

Before carrying out any type of work, turn off the electricity and gas supply.

Don't Risk Your Appliance Warranty

Only a licensed person will give you a compliance certificate, showing that the work complies with all the relevant standards. And only a licensed person will have insurance protecting their workmanship for 6 years. So make sure you use a licensed person to install this appliance and ask for your compliance certificate to ensure the manufacturer's appliance warranty will be honoured.

Statutory regulations

This appliance shall be installed in accordance with the manufacturer's installation instructions, local gas fitting regulations, municipal building codes, electrical wiring regulations and AS/NZS 5601.1 the Australian Standard for gas installations. Refer also to AS/NZS 5601.1 for pipe sizing tables.

Before connecting the appliance, please check whether the local connection conditions such as the gas type, gas pressure and mains voltage and the appliance settings are correct. Refer to the data plate located on the hob base for the necessary information.

Your new cooker is protected by suitable packaging whilst it was on its way to you. All materials used for this purpose are suitable for recycling. Please make a contribution to protecting the environment by disposing of the packaging accordingly.

For conversion to another type of gas, please call the after-sales service.

⚠ Risk of gas escape!

After connecting the appliance to the gas supply, always check the connection for leak tightness. The manufacturer accepts no responsibility for the escape of gas from a gas connection which has been previously tampered with.

Ensure sufficient air exchange in the room where the appliance is installed. Up to 11 kW total output:

- Minimum volume of the room where appliance is installed: 20 m³
- A door leading to the open air or a window which can be opened.

Up to 18 kW total output:

- Minimum volume of the room where appliance is installed: 2 m³ per kW total output.
- A door leading to the open air or a window which can be opened.
- An extraction hood into the open air. Minimum displacement volume of extraction hood: 15 m³/h per kW total output.

The installation system must incorporate an all-pin isolating switch with a contact opening of at least 3 mm, or the appliance should be connected to the mains via a safety plug. The plug must remain accessible after installation is complete.

Do not kink or trap the mains connection cable.

The appliance must be fitted according to the installation drawing.

A minimum clearance of **260 mm** from the periphery of the burner to a rear or side horizontal combustible surface must be maintained. **If clearance is less than 260 mm** then that surface must be non-combustible or be protected in accordance with AS/NZS 5601.1 clause 6.10.1.2

Overhead clearances

Rangehoods and exhaust fans shall be installed in accordance with the manufacturers instructions. However, in no case shall the clearance between the highest part of the burner and the underside of the rangehood be less than **650 mm**.

This appliance is not intended for operation with an external timer or an external remote control.

THIS APPLIANCE IS NOT TO BE INSTALLED IN MARINE CRAFT OR CARAVANS.

THIS APPLIANCE IS NOT SUITABLE FOR USE IN MARINE CRAFT OR MOBILE HOMES.

Installation accessories

VA 420 000	Connection strip for combination with other Vario 400 appliances for flush installation
VA 420 010	Connection strip for combination with other Vario 400 appliances for surface installation
VA 440 010	Stainless steel appliance cover

Preparing the units (Fig. 1a)

The kitchen unit must be heat-resistant to at least 90 °C (about 190 °F). The stability of the unit must be maintained after producing the cut-out.

Produce the cut-out in the worktop for one or more Vario appliances as shown in the installation sketch. The angle between the cut surface and the worktop must be 90 °.

The cut edges at the sides must be flat to ensure a good fit of the retaining springs on the appliance. In laminated worktops, it may be necessary to fit strips at the sides of the cut-out.

Remove shavings after cutting. Seal cut surfaces for resistance to heat and so they are watertight.

Pay attention to a minimum gap of 10 mm from the underside of the appliance to kitchen units.

Use suitable base constructions to ensure load-carrying capacity and stability, especially in the case of thin worktops. Pay attention to the weight of the appliance, including any payload.

Reinforcement material used must be resistant to heat and moisture.

Note: Wait until the appliance has been installed in the installation opening before checking that it is level.

To improve flame stability, we recommend installing an intermediate floor underneath the appliance in the installation cabinet.

Installation flush with surrounding surfaces (Fig. 1b)

It is possible to fit the appliance into a worktop such that it is flush with the worktop surface.

The appliance can be installed in the following temperature- and water-resistant worktops:

- Granite worktops
- Plastic worktops (e.g. Corian®)
- Solid wood worktops: Only on agreement with the worktop manufacturer (seal the cut-out edges)
- For other worktop materials, contact the worktop manufacturer about their use.

The appliance cannot be installed in compressed-wood worktops.

Note: All cut-outs in the worktop are to be carried out in a specialist workshop in accordance with the installation diagram. Each cut-out must be neat and precise as the cut edge is visible on the surface. Clean and degrease the cut-out edges with a suitable cleaning agent (follow the instructions from the silicone manufacturer).

Combining multiple Vario appliances (Fig. 1c)

The connecting strip VA 420 000/010 is required in order to combine multiple Vario appliances. This can be ordered separately as an optional accessory. When making the cut-out, allow extra space for the connecting strip between the appliances (see installation instructions VA 420 000/010).

Appliances can also be fitted in their own individual cut-outs as long as at least 50 mm of material is left between the cut-outs.

Combination with appliance cover (Fig. 1d)

The appliance cover VA 440 010 is available separately as an optional accessory. Take the additional space required by the appliance cover into consideration when making the cut-out.

Hole for the control knob

Possible installation types:

- At the front of the floor cabinet
- In the worktop next to the appliance
- In the worktop in front of the appliance

Note: Follow the installation instructions provided for the control knobs.

Fitting the control knobs (Fig. 2)

1. Depending on the distance between the control knobs, it may be necessary to break off the retaining plate at the perforation. Hold the retaining plate in place against the rear of the control panel/underside of the worktop or secure it in place with the screws provided.
2. When fitting an individual control knob or if the retaining plate has been broken off at the perforation, use two screws to hold each retaining plate in place and prevent it from rotating.
For stone worktops, use temperature-resistant two-component adhesive (for metal to stone) to adhere the retaining plate.
3. Remove the protective film on the back of the illuminated ring.
4. Push the control knob into the hole, and use the installation tool provided to tighten the nut at the rear.
5. Use the short cables provided to connect all the control knobs. The male connectors must snap into place in the female connectors.

Note: The two female cable connectors on the control knob are identical.

6. Attach the long cable to one of the control knobs to connect it to the appliance. The male connector must snap into place in the female connector.

Note: The appliance can be connected to any control knob.

7. After fitting, check that all plug-in connections are seated correctly.
8. After fitting all the cables, secure them to the retaining plate by turning the tab down.

Installing the appliance (Fig. 3a)

1. Insert the end of the connection cable for the control knob into the female connector on the underside of the appliance. The male connector must snap into place.
2. Insert the appliance evenly into the cut-out. Push it down firmly into the cut-out.

Note: The appliance must sit fast in the cut-out and must not be able to move around (e.g. during cleaning). If the width of the cut-out is at the upper tolerance limit, secure batten to the sides of the cut-out if necessary.

3. Connect the appliance to the power and gas supply and test for correct functioning. There might be an air pocket in the gas supply line if the appliance switches off. Turn control knobs off and switch on again. Repeat until burner ignites.

Only for installation flush with surrounding surfaces (Fig. 3b)

Note: Make sure that everything is working correctly before grouting.

Grout the surrounding gap with a suitable temperature-resistant silicone adhesive (e.g. OTTOSEAL® S 70). Smooth the seal joint with a smoother recommended by the manufacturer. Follow the instructions for the silicone adhesive. Do not use the appliance until the silicone adhesive is completely dry (at least 24 hours, depending on the room temperature).

Caution!

Using unsuitable silicone adhesive on natural stone work surfaces may cause permanent discolouration.

Gas connection

The supply connection point shall be accessible with the appliance installed.

Using the R $\frac{1}{2}$ " (for appliance side) connection elbow provided, connect the appliance with the associated gasket to a fixed connection pipe. For natural gas the regulator must be connected.

If using a flexible connection

This appliance is approved for connection by a CLASS B hose. Connection is in compliance with AS/NZS 5601.1

There are two ways to carry out the connection to the main gas line:

- A: The hotplate can be connected with rigid pipe.
- B: Flexible Hose: If installing with a hose assembly, install with a hose assembly that complies with AS/NZS 1869, 10 mm ID, class Bor D, no more than 1.2 m long and in accordance with AS/NZS 5601.1. Ensure that the hose does not contact the hot surfaces of the hotplate, oven, dishwasher or any other appliance that may be installed underneath or next to the hotplate. The hose should not be subjected to abrasion, kinking or permanent deformation and should be inspected along its entire length with the cooktop in the installed position. Unions compatible with the hose fittings must be used and all connections tested for gas leaks.

Before leaving - check all connections for gas leaks with soap and water. DO NOT use a naked flame for detecting leaks. Ignite all burners both individually and concurrently to ensure correct operation of gas valves, burners and ignition. Turn gas taps to low position and observe stability of the flame for each burner individually and all together.

Adhere the duplicate data plate to an accessible location near to the cook top. When satisfied with the cook top, please instruct the user on the correct method of operation. In case the appliance fails to operate correctly after all checks have been carried out, refer to the authorised service provider in your area.

Electrical connection

Check that the appliance has the same voltage and frequency as the electrical installation system.

The hob is delivered with a mains cable and 3 pin moulded plug. Only connect the appliance to sockets which have been fitted and earthed according to regulations.

The appliance corresponds to type Y: the mains connection cable must only be replaced by the after-sales service. Check the cable type and minimum cross section.

Technical data

Total connected load VG 415 211 AU:

18 MJ/h (5 kW)

Electric 25.0 W

Maximum safety time for each burner: 10 seconds

Conversion to another type of gas (Fig. 5)

The gas hob belongs to the categories stated on the type plate. Changing the injection nozzles enables the appliance to be used with all the types of gas listed there. Conversion kits can be obtained from our after-sales service. Some models come delivered with a conversion kit.

The appliance must only be converted to a different type of gas by a licensed expert.

Switch off the electricity and gas supplies before changing the injection nozzles.

Replacing the main nozzles (Fig. 6)

1. Remove the pan supports and all burner parts.
2. Undo the cooktop fastening screws on the burner and carefully lift the cooktop off.
3. Remove the securing clips from the burner pipes. Pull out the burner pipes. Unscrew the screw in the air regulating sleeve. Remove the nozzle retaining head.
4. Pull off the nozzle and O-ring for the inner burner ring by hand. Unscrew the nozzle for the outer burner ring (WAF 10).
5. Check that the O-ring is seated correctly in the new main nozzle for the burner inner ring. Fit the nozzle to the burner pipe. Screw the new main nozzle for the outer burner ring as far as it will go into the nozzle retaining head.
6. Fit the nozzle retaining head and burner pipes. Fit the securing clips.
7. Loosen the screw and adjust the air regulating sleeve to the correct setting (see nozzle table). Retighten the screw.
8. Put the cooktop in place and tighten the screws evenly. Put the burner parts and pan supports in place and make sure they are positioned correctly.

Setting the gas type (Fig. 7)

Use any control knob to set the gas type:

1. Turn the control knob to 0. Disconnect the appliance from the power supply. Wait at least 30 seconds.
2. Reconnect the appliance. The illuminated ring around the control knob will be lit green for a few seconds and then yellow. Wait until the illuminated ring goes out.
3. Turn the control knob anti-clockwise to position 12.
4. Turn the control knob clockwise to position 1.
5. Turn the control knob anti-clockwise to position 0. Wait until the illuminated ring is lit yellow.
6. Turn the control knob to set the gas type; the position currently set will be lit green:

Control knob position	Gas type
8	Natural Gas 1.0kPa/10mbar
9	ULPG 2.75kPa/27.5mbar

7. Leave the control knob at the required setting for at least 5 seconds. The illuminated ring around the control knob will be lit green.

8. To save the setting, always exit the menu as follows: Turn the control knob to 0. Then turn the control knob anti-clockwise to position 12. Turn the control knob clockwise to position 1. Turn the control knob anti-clockwise to position 0. Wait until the illuminated ring goes out.

The setting will be saved. The illuminated ring around the control knob will be lit yellow for a few seconds. Wait until the illuminated ring goes out.

Checking functions after the conversion:

The flames are adjusted correctly if no yellow tips are visible and if they do not go out when switching over swiftly from the high to the low setting.

Note: stick the adhesive label included with the nozzle set over the rating plate of the appliance to document the changeover to a different gas type.

Removing the appliance

Disconnect the appliance from the power and the gas supply. For flush-mounted appliances, remove the silicone joint. Push out the appliance from below.

Caution!

Damage to appliance! Do not lever out the appliance from above.

