

**Gaggenau**

Instruction manual  
Instrucciones de uso  
Instruções de serviço  
Οδηγίες χρήσεω

# CG 492

Gas cooktop  
Encimera a gas  
Placa de fogão a gás  
Βάση εστιών αερίου

Table of contents	3
Índice	17
Índice	32
Πίνακας περιεχομένων	46

---

## Table of contents

---

<b>Intended use</b>	<b>4</b>
<b>Important safety information</b>	<b>5</b>
<b>Causes of damage</b>	<b>7</b>
<b>Environmental protection</b>	<b>7</b>
Saving energy	7
Environmentally-friendly disposal	7
<b>Familiarising yourself with your appliance</b>	<b>8</b>
Gas hob	8
Control knob	8
Visual signals of the luminous disc	9
Necessary installation accessories	9
Special accessories	9
Individual parts of the burners	9
Individual parts of the wok burner	10
<b>Operating the appliance</b>	<b>10</b>
Switching on	11
Simmer setting	11
Electronic flame monitoring and automatic re-ignition	11
Switching off	11
Residual heat indicator	11
Safety shut-off	11
<b>Table of settings and tips</b>	<b>12</b>
Burner recommendation	12
Tips for cooking and roasting	12
Tips for using a wok	12
<b>Information and tips regarding cookware</b>	<b>13</b>
Suitable cooking vessels	13
Precautions for use	13
<b>Cleaning and maintenance</b>	<b>14</b>
Cleaning the appliance	14
Burnt-on dirt	14
Burner discolouration	14
<b>Trouble shooting</b>	<b>15</b>
Demo mode	16
<b>After-sales service</b>	<b>16</b>
E number and FD number	16

Additional information on products, accessories, replacement parts and services can be found at [www.gaggenau.com](http://www.gaggenau.com) and in the online shop [www.gaggenau.com/zz/store](http://www.gaggenau.com/zz/store)

## Intended use

Read these instructions carefully. Only then will you be able to operate your appliance safely and correctly. Retain the instruction manual and installation instructions for future use or for subsequent owners.

This appliance is only intended to be fully fitted in a kitchen. Observe the special installation instructions.

This appliance must be installed according to the installation instructions included.

Check the appliance for damage after unpacking it. Do not connect the appliance if it has been damaged in transport.

Only allow a licensed professional to connect the appliance. Damage caused by incorrect connection is not covered under warranty. Call the after-sales service if you want to convert your appliance to a different type of gas.

This appliance is intended for domestic use and the household environment only. This appliance must only be used to prepare food and drinks and must never be used as a heater. Do not leave the appliance unattended during operation. Only use the appliance indoors.

Do not install this appliance on boats or in vehicles.

This appliance is intended for use up to a maximum height of 2000 metres above sea level.

This appliance is not intended for operation with an external clock timer or a remote control.

Do not use covers. These can cause accidents, for example due to overheating, catching fire or materials shattering.

Only use safety devices or child protection grilles approved by ourselves. Unsuitable safety devices or child protection grilles may result in accidents.

This appliance may be used by children over the age of 8 years old and by persons with reduced physical, sensory or mental capabilities or by persons with a lack of experience or knowledge if they are supervised or are instructed by a person responsible for their safety how to use the appliance safely and have understood the associated hazards.

Children must not play with, on, or around the appliance. Children must not clean the appliance or carry out general maintenance unless they are at least 15 years old and are being supervised.

Keep children below the age of 8 years old at a safe distance from the appliance and power cable.

Close the safety valve on the gas supply line if the cooker will not be used for a prolonged period.

## **⚠ Important safety information**

### **⚠ Warning – WHAT TO DO IF YOU SMELL GAS!**

Escaping gas may cause an explosion.

#### **If you smell gas or notice any faults in the gas installation:**

- Immediately shut off the gas supply or close the gas cylinder valve.
- Immediately extinguish all naked flames and cigarettes.
- Do not use any light or appliance switches and do not pull any plugs out of sockets. Do not use any telephones or mobile phones within the building.
- Open windows and ventilate the room.
- Call the after-sales service or the gas supplier.

### **⚠ Warning – Risk of asphyxiation!**

The use of a gas cooker leads to a build-up of heat, moisture and products of combustion in the room where the appliance is installed. Ensure that the installation room is well ventilated. The natural ventilation openings must be kept open or a mechanical ventilation device must be provided (e.g. an extractor hood). Intensive and persistent use of the appliance may mean that it is necessary to have additional ventilation (e.g. opening a window), or more effective ventilation (e.g. operating the existing mechanical ventilation device at a higher setting).

### **⚠ Warning – Risk of fire!**

- Hot oil and fat can ignite very quickly. Never leave hot fat or oil unattended. Never use water to put out burning oil or fat. Switch off the hotplate. Extinguish flames carefully using a lid, fire blanket or something similar.
- The hotplates become very hot. Never place combustible items on the hob. Never place objects on the hob.

- The appliance becomes very hot and flammable materials could catch fire. Never store or use flammable objects (e.g. spray cans, cleaning agents) under the appliance or in its immediate vicinity. Never place flammable items on or in the appliance.
- When gas hotplates are in operation without any cookware placed on them, they can build up a lot of heat. The appliance and the extractor hood above it may become damaged or be set on fire. Grease residue in the filter of the extractor hood may ignite. Only operate the gas burners with cookware on them.
- If the burner does not ignite after 15 seconds, switch off the control knob and open the door or window in the room. Wait at least 1 minute before igniting the burner again.

### **⚠ Warning – Risk of burns!**

- The appliance becomes hot during operation. Allow the appliance to cool down before cleaning.
- The hotplates and surrounding area (particularly the hob surround, if fitted) become very hot. Never touch the hot surfaces. Keep children at a safe distance.
- The accessible parts become very hot when in operation. Never touch hot parts. Keep children at a safe distance.
- When the appliance cover is closed, heat will accumulate. Only close the appliance cover when the appliance has cooled down. Never switch the appliance on with the appliance cover closed. Do not rest food on the appliance cover or use it to keep food warm.
- Empty cookware becomes extremely hot when set on a gas hotplate that is in operation. Never heat up empty cookware.

- If the liquefied gas bottle is not upright, liquefied propane/butane can enter the appliance. Intense darting flames may therefore escape from the burners. Components may become damaged and start to leak over time so that gas escapes uncontrollably. Both can cause burns. Always use liquefied gas bottles in an upright position.
- A defective appliance may cause electric shock. Never switch on a defective appliance. Unplug the appliance from the mains or switch off the circuit breaker in the fuse box. Contact the after-sales service.

**⚠ Warning – Risk of injury!**

- Incorrect repairs are dangerous. Repairs may only be carried out, and damaged power and gas lines replaced, by an after-sales engineer trained by us. If the appliance is faulty, unplug the mains plug or switch off the fuse in the fuse box. Shut off the gas supply. Contact the after-sales service.
- Faults or damage to the appliance are dangerous. Never switch on a faulty appliance. Unplug the appliance from the mains or switch off the circuit breaker in the fuse box. Shut off the gas supply. Contact the after-sales service.
- Unsuitable pan sizes, damaged or incorrectly positioned pans can cause serious injury. Observe the instructions which accompany the cookware.

**⚠ Warning – Risk of electric shock!**

- Incorrect repairs are dangerous. Repairs may only be carried out by one of our trained after-sales engineers. If the appliance is faulty, unplug the mains plug or switch off the fuse in the fuse box. Contact the after-sales service.
- The cable insulation on electrical appliances may melt when touching hot parts of the appliance. Never bring electrical appliance cables into contact with hot parts of the appliance.
- Do not use any high-pressure cleaners or steam cleaners, which can result in an electric shock.

---

## Causes of damage

---

### Caution!

- **Risk of heat damage to adjacent appliances or kitchen units:** If the appliance is in operation for an extended period, heat and moisture will be generated. Additional ventilation is required. Open the window or switch on an extractor hood that discharges the extracted air and moisture outside the building.
- **Risk of damage to the appliance due to the build-up of heat:** Do not heat roasters, frying pans or grill stones using more than one burner at a time.
- **Malfunction:** Always turn the control knob to the "Off" position when the appliance is not being used.

---

## Environmental protection

---

The sections below list a number of energy-saving tips and provide information on disposing of your appliance.

### Saving energy

- Choose a burner of roughly the same size as your pan. Place the cookware in the middle.
- Use small saucepans for small quantities. Using a large saucepan with little in it consumes a lot of energy.
- Always place suitable lids on saucepans. Cooking without a lid consumes significantly more energy. Use a glass lid so that you can see into the pan without having to lift the lid.
- Cook with only a little water. This will save energy and preserve the vitamins and minerals in vegetables.
- Switch to a lower heat setting in good time. This will save energy.

### Environmentally-friendly disposal

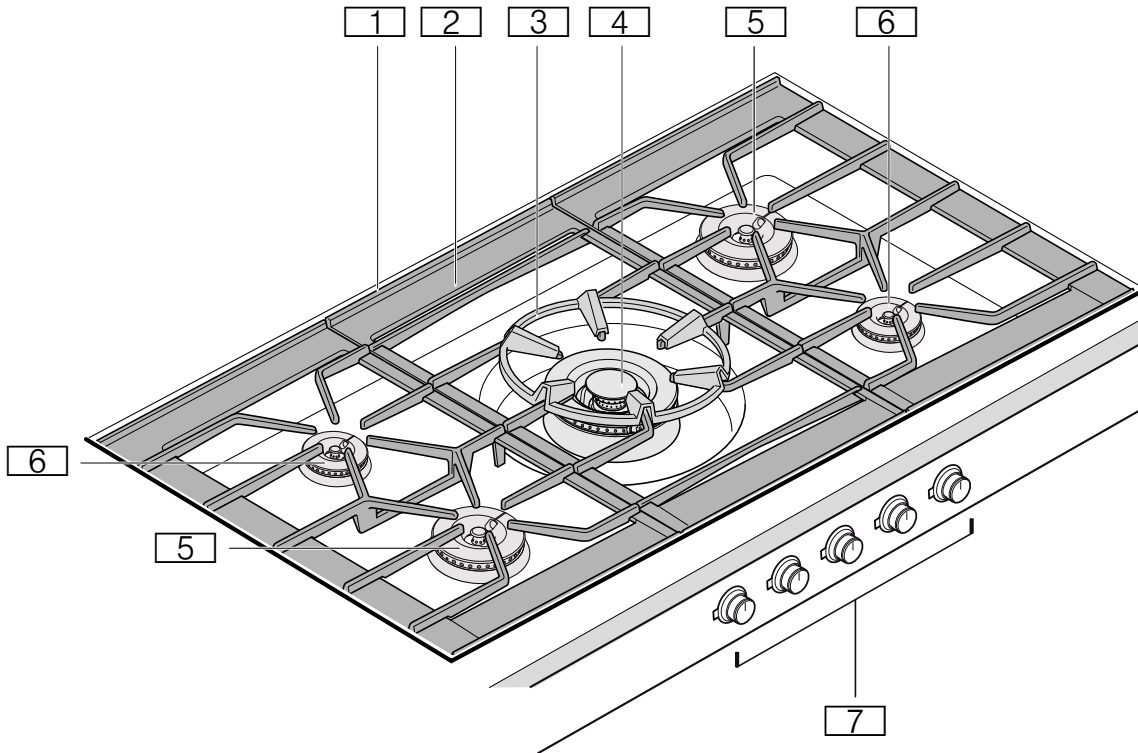
Dispose of packaging in an environmentally-friendly manner.



This appliance is labelled in accordance with European Directive 2012/19/EU concerning used electrical and electronic appliances (waste electrical and electronic equipment - WEEE). The guideline determines the framework for the return and recycling of used appliances as applicable throughout the EU.

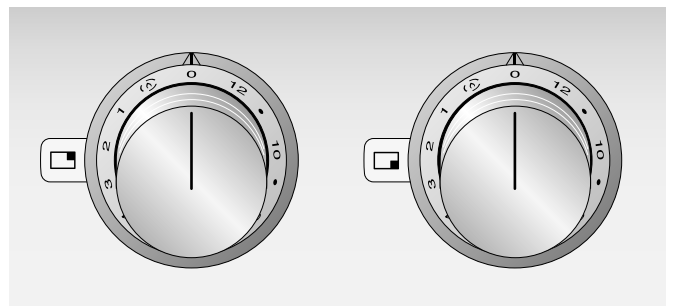
## Familiarising yourself with your appliance

### Gas hob



- 1 Ventilation openings (underneath pan support)
- 2 Pan support
- 3 Wok ring
- 4 Wok burner 6.0/5.8 kW
- 5 High-output burner 4.0 kW
- 6 Standard-output burner 2.0 kW
- 7 Control knob

### Control knob



The markings by each of the control knobs show which burner they operate and the heat setting (from 1 to 12 or Simmer setting (♫)).

■	Front left hotplate
■	Rear left hotplate
■	Centre hotplate (wok)
■	Rear right hotplate
■	Front right hotplate



## Visual signals of the luminous disc

The control knob is encircled by an illuminated ring that indicates a number of statuses and functions.

Indicator	Meaning
○ Off	Appliance off
● Lit continuously orange	Appliance on
☀ Flashing orange	Appliance off Residual heat indicator
☀ Flashing orange and white alternately	Safety shut-off, power failure
☀ Flashing yellow and magenta alternately	Appliance fault Call the after-sales service.
● Lit green and then yellow for some seconds	Appliance initialising, only after first installation or power failure

## Necessary installation accessories

CA 429 410 Frame set including decorative frame (to be welded in) and holding frame

## Special accessories

You can order the following special accessories from your specialist dealer:

WP 400 001 Multi-layer material wok pan, with curved base and handle, Ø 36 cm, 6 litres volume, 10 cm high.

Only use the accessories as specified. The manufacturer accepts no liability if these accessories are used incorrectly.

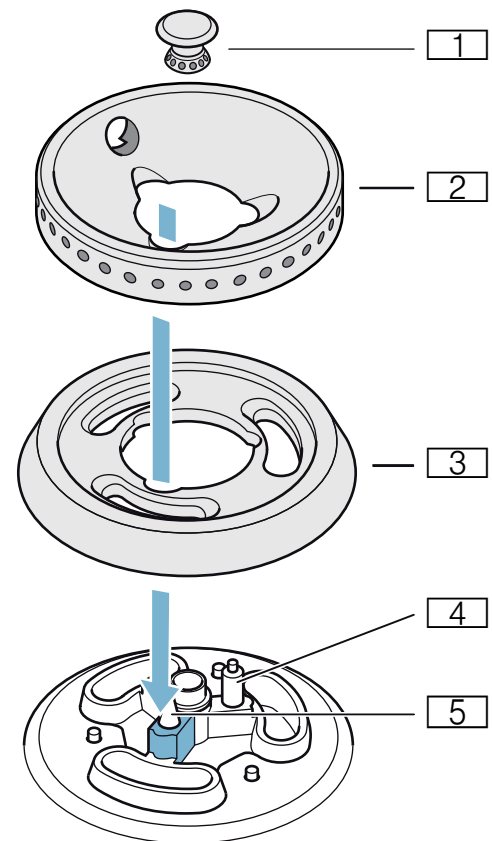
## Individual parts of the burners

Ensure that the individual parts of the burners are fitted in the correct position and are straight; otherwise, this may result in ignition problems or problems during operation.

Fit the burner head and the burner ring in such a way that the latches on the lower section of the burner click into place in the corresponding slots. The alignment of the burner head and the burner ring is not important.

**Note:** If the burner parts are fitted at an angle, the appliance will not work.

### Individual parts of the standard output burner and high output burner

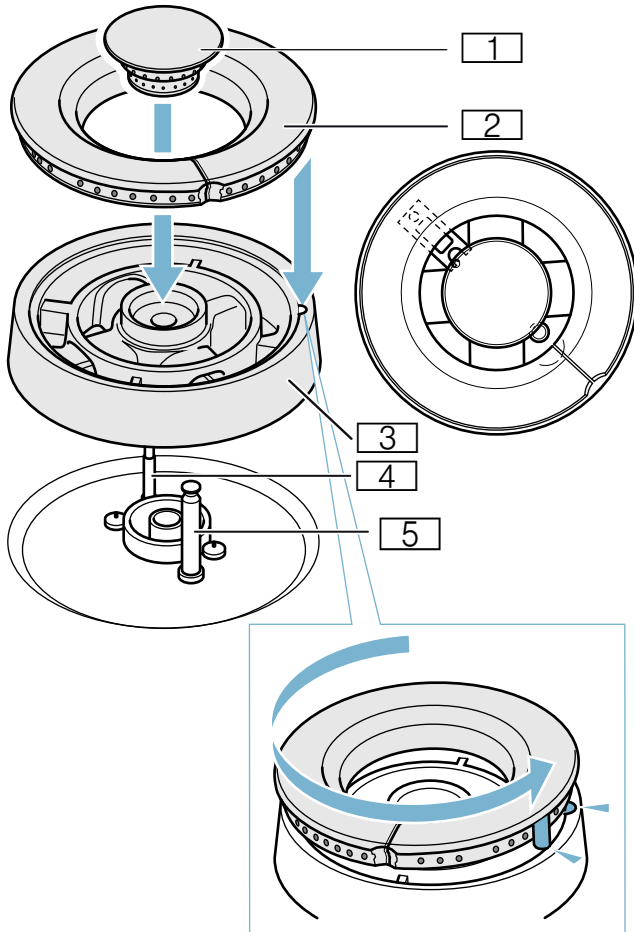


- 1 Burner cap
- 2 Burner ring
- 3 Burner head
- 4 Ignition plug
- 5 Thermocouple

## Individual parts of the wok burner

Ensure that the individual parts of the wok burner are fitted in the correct position and are straight; otherwise, this may result in ignition problems or problems during operation. Fit the burner head such that the thermocouple is positioned in the corresponding recess on the burner head. The lug on the burner ring must engage in the corresponding recess on the burner head.

**Note:** If the burner parts are fitted at an angle, the appliance will not work.



- 1 Burner cap
- 2 Burner ring
- 3 Burner head
- 4 Thermocouple
- 5 Ignition plug

## Operating the appliance

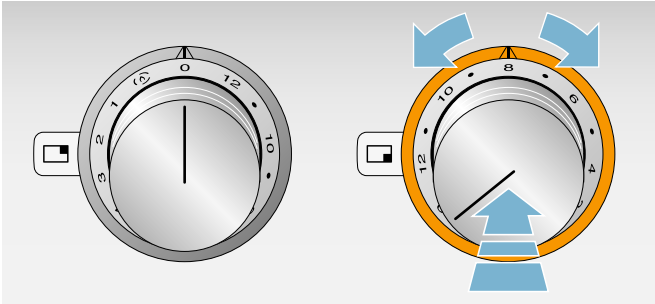
### Notes

- Only use the accessories specified. Do not line the stainless steel recess (e.g. with aluminium foil).
- The burner and ignition plug must be clean and dry.
- Only light the hotplates if the pan supports and all burner parts are correctly fitted.
- When one burner is ignited, an ignition spark will also be generated at all the other burners.
- Do not touch the ignition plug while the gas appliance is being lit.
- It is important to keep the appliance clean. If the ignition plugs are dirty, this may cause ignition problems. Clean the ignition plugs regularly with a small, non-metallic brush. Take care to prevent the ignition plugs from suffering any heavy knocks.
- When you cook using a wok, place the wok ring onto the pan support over the wok burner. Make sure that the wok is stable on the wok ring when you are cooking.
- When you switch from setting 3 to setting 4 or higher, the burner will briefly switch to its maximum output. This is to optimise ignition between the burner rings.
- Do not cover the ventilation openings on the rear of the gas hob.
- When the gas cooktop is switched on, the electronics open up the gas supply, which produces a short sound. This is normal.
- In the event of a power failure, the appliance will not work. The gas supply is shut off.

## Switching on

Your gas hob has an automatic quick-ignition function.

- 1 Place a suitable item of cookware on the pan support.
- 2 Push in the control knob for your chosen burner and turn it clockwise or anti-clockwise to the heat setting you require.  
The burner ignites automatically.



Turn the control knob to set the heat setting.

### **⚠ Warning – Risk of deflagration!**

If the burner does not ignite after 15 seconds, switch off the control knob and open the door or window in the room. Wait at least 1 minute before igniting the burner again.

## Simmer setting

With the simmer setting, the burner switches the gas flame on and off. This allows you to melt chocolate or heat up delicate sauces, for example.

Turn the control knob to (⏸). It takes 10 - 50 seconds to switch on or off.

## Electronic flame monitoring and automatic re-ignition

For your safety, the hob has an electronic flame monitoring system. If the flame goes out while the hob is in use (e.g. due to a draught), the appliance will automatically re-ignite the burner.

If re-ignition is unsuccessful (e.g. because liquid or food has boiled over and remains on the burner), the appliance will switch off the gas supply. The illuminated ring behind the control knob will flash.

Turn the control knob to 0. Wait until the appliance is cool enough and then check whether all the burner parts are in the correct position. Check whether the burner or the ignition plug are covered in food remnants etc. → "Trouble shooting" on page 15

## Switching off

Turn the control knob to position 0. The appliance electronics will shut off the gas supply.

## Residual heat indicator

The luminous disc behind the control knob flashes after switching off, to indicate that the appliance has still not cooled down to such an extent that it can be touched safely.

## Safety shut-off

For your safety, the appliance has a safety shut-off function. The appliance is automatically switched off if it has been in operation for an extended period. How long the appliance waits before switching itself off depends on the setting (setting 12 = 1 hour, setting 1 = 4 hours). The illuminated ring behind the control knob will flash orange and white alternately.

Turn the control knob to 0. You will now be able to start the appliance again as usual.

## Table of settings and tips

Heat setting	Cooking method	Examples
12	Heating	Water, clear soups
	Blanching	Vegetables
10-12	Searing	Meat, wok dishes/pan-fried dishes
	Frying at high temperatures	Meat, potatoes
7-10	Simmering with the lid open	Liquids, dough-based foods
6-8	Baking	Flour-based food
	Frying at medium temperatures	Poultry, fish
4-6	Frying at low temperatures	Fried sausages, onions, egg dishes
	Warming	Vegetables, soups, stews
	Deep-frying	Chips, pastries
	Poaching with the lid open	Dumplings, boiled sausages
3-4	Defrosting	Frozen food
	Braising	Beef olives, joints
	Stewing	Vegetables
2-4	Simmering with the lid on	Soups, vegetables
Simmer setting – up to 3	Soaking	Rice, rice pudding, cereals
Simmer setting	Melting, keeping warm	Chocolate, butter

### Burner recommendation

For cooking at low temperatures and with a long preparation time (e.g. melting, soaking, baking), select the standard- or high-output burner (not the wok burner).

For cooking at high temperatures and with a short preparation time (e.g. warming, deep-frying), we recommend the wok burner or the high-output burner.

### Tips for cooking and roasting

The values given in the settings table must be looked upon as recommended values. The heat required depends not only on the type and condition of the food, but also the size and contents of the pot.

Due to the high performance of the cooktop, fat and oil will heat up quickly. Never leave the cooktop unattended, fat can ignite, food can burn.

### Tips for using a wok

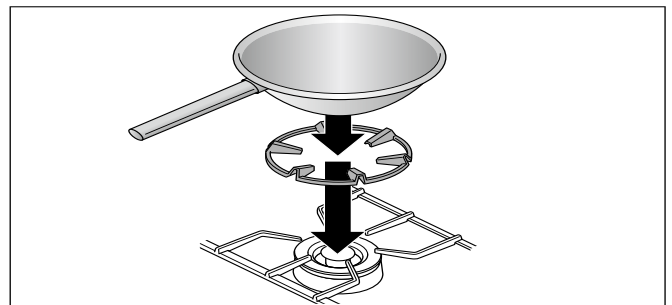
**Note:** When you cook using a wok, place the wok ring onto the pan support over the wok burner. Make sure that the wok is stable on the wok ring when you are cooking.

We recommend using woks with a domed base. You can order a high-quality wok as an optional accessory (WP 400 001).

When cooking with the wok, use only cooking oil that is suitable for heating to high temperatures, such as groundnut oil.

Cook the ingredients at a high heat, while stirring constantly. Do not cook them for too long. The vegetables should be al dente.

For stirring the food and for taking it out of the pan, it is best to use a shallow ladle with a long handle made from a heat-resistant material.



## Information and tips regarding cookware

The following information and tips have been provided to help you save energy and avoid damaging your cookware.

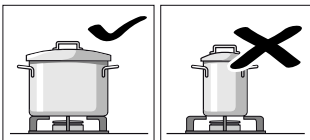
### Suitable cooking vessels

Burner	Recommended pan base diameter	Minimum pan base diameter
Standard-output burner	200 - 240 mm	90 mm
High-output burner	240 - 280 mm	90 mm
Wok burner	240 - 320 mm	160 mm

Use the wok only on the wok ring.

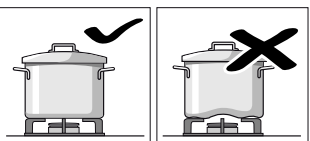
**Pans with a diameter of less than 90 mm or more than 280 mm (320 mm for the wok burner) should not be used.** If you do use larger pans, these should not protrude beyond the edges of the appliance.

### Precautions for use



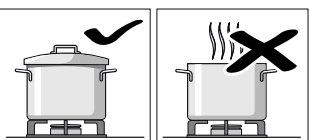
Use pots or pans which are the right size for each burner.

Do not use small pots or pans on large burners. The flame should not touch the sides of the pot.

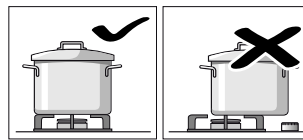


Do not use damaged pots or pans, which do not sit evenly on the cooktop, they may tip over.

Only use pots or pans with a thick, flat base.

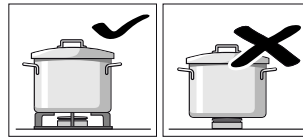


Do not cook without using a lid and make sure the lid is properly fitted. This wastes energy.



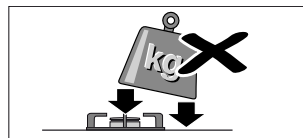
Always centre the pot or pan over the burner, otherwise it could tip over.

Do not place large pots on the burners near the control knobs. These may get damaged by the high temperatures.



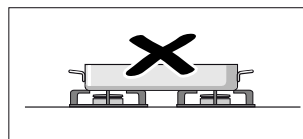
Place the pots or pans on the pan support, never directly on the burner.

Make sure that the pan supports and burner caps are correctly positioned before using the appliance.



Pots or pans should be placed on the cooktop carefully.

Do not strike the cooktop and do not place excessive weight on it.



Do not heat a cooking vessel (e.g. roaster, pan, grill stone) on more than one burner at the same time. The resulting heat accumulation will damage the appliance.

## Cleaning and maintenance

### **⚠ Warning – Risk of electric shock!**

Do not use any high-pressure cleaners or steam cleaners, which can result in an electric shock.

### **⚠ Warning – Risk of burns!**

The accessible parts become very hot when in operation. Never touch hot parts. Keep children at a safe distance.

### **Caution!**

#### **Risk of surface damage**

Do not use these cleaners

- harsh or abrasive cleaning agents
- oven cleaners
- corrosive or aggressive cleaners, or those containing chlorine
- cleaning agents with a high alcohol content
- hard and scratchy sponges, brushes or scouring pads

If such an agent comes into contact with the appliance, wash it off immediately with water.

Thoroughly wash out new sponge cloths before using them!

## Cleaning the appliance

Clean the appliance after each use once it has cooled down. Remove spilt liquids immediately and do not allow any food remains to burn on.

Make sure that the ventilation openings under the pan support are always clean. The ventilation openings must not be covered.

Dry the burners thoroughly after cleaning. Only operate the appliance when the burners are dry. Damp burners can cause ignition problems and/or an unstable flame.

During assembly, make sure that the burner parts (catch tappets) are in the correct position. All parts must be straight.

Appliance part/ surface	Recommended cleaning
Stainless steel surfaces	Use soapy water and dry with a soft cloth. Only use a minimal amount of water when cleaning so that no water enters the appliance.  Soak burnt-on remains with a small amount of soapy water; do not scour.  Remove heavy soiling or yellow discolouration caused by heat using our stainless steel cleaning agent (item no. 00311499).
Pan supports, wok ring	Carefully remove them for cleaning. Soak in the sink. Clean using a scrubbing brush and detergent.  Clean the area around the rubber buffers carefully so that they do not become detached.  Rinse with clean water before leaving to dry.  <b>Do not clean them in the dishwasher.</b>
Burner parts	Use soapy water and dry with a soft cloth. Make sure that the openings are not blocked.  Take care that no small parts are lost.  <b>Do not clean them in the dishwasher.</b>
Control knob	The soapy cloth must not be too wet. Dry with a soft cloth.

## Burnt-on dirt

For hard-to-remove, burnt-on dirt, you can order a cleaning gel from our online shop, from your specialist retailer or our after-sales service (item number 00311859). It is suitable for pan supports and the stainless-steel recess. If necessary, let the dirt soak overnight. Follow the instructions on the cleaning agent.

### **Caution!**

#### **Damage to the surface**

Do not use the cleaning gel on the burner parts.

## Burner discolouration

After extended use, the brass burner parts take on a darker colour as a result of the oxidation process that occurs naturally. The discolouration does not affect their serviceability.

## Trouble shooting

Malfunctions often have simple explanations. Please read the following notes before calling the after-sales service.

### Warning – Risk of electric shock!

Incorrect repairs are dangerous. Repairs may only be carried out by one of our trained after-sales engineers. If the appliance is faulty, unplug the mains plug or switch off the fuse in the fuse box. Contact the after-sales service.

Disruption	Possible cause	Solution
The burner will not ignite when it is switched on.	Power supply disconnected.	Turn all control knobs to 0. Check the fuse box to see whether the circuit breaker has tripped.
The burner will not ignite when it is switched on.  The illuminated ring behind the control knob is flashing orange and white alternately.	Burner or gas supply fault.	Turn all control knobs to 0.  <b>Check:</b> <ul style="list-style-type: none"> <li>● Are the burner parts positioned correctly?</li> <li>● Is the main gas tap open?</li> <li>● Is the burner clean and dry?</li> <li>● Is there air in the line following initial connection or a cylinder change (in the case of liquid gas)?</li> <li>● Is the gas cylinder empty (in the case of liquid gas)?</li> </ul>
The burner will not ignite when it is switched on.  All the illuminated rings behind the control knobs are lit white for 10 seconds after switch-on. Then the illuminated ring around the active control knob is lit orange.	Demo mode is activated.	Deactivate demo mode.
The burner will not ignite when it is switched on.  The illuminated ring behind the control knob is flashing yellow and magenta alternately.	Electronics fault	Turn all control knobs to 0 and disconnect the appliance from the mains power supply for one minute (switch off the circuit breaker or pull out the plug).  Reconnect the appliance. The illuminated rings around the control knobs will be lit green for a few seconds and then turn yellow. Wait until the illuminated rings switch off. Then turn any of the control knobs to any of the heat settings and then back to 0.  Switch on the burner. If the illuminated ring starts flashing yellow and magenta again, call our after-sales service.
The burner goes out while the appliance is in operation.  The illuminated ring behind the control knob is flashing orange and white alternately.	Safety switch-off function: No actions have been performed for an extended period.	Turn all control knobs to 0, and then switch them back on if you wish to continue using the appliance.
The burner goes out while the appliance is in operation.  The illuminated ring behind the control knob is flashing orange and white alternately.	Domestic power failure: Following a power failure, the appliance will remain switched off for safety reasons.	Turn all control knobs to 0, and then switch them back on if you wish to continue using the appliance.
There is a smell of gas in the kitchen.	Gas may be leaking out where the gas cylinder is connected.	Check that the gas cylinder connection is not leaking. Open windows and ensure the room is well ventilated.

The appliance panelling becomes slightly raised at the corners when it is in operation.

The metal from which the cooktop is made expands as it heats up.

This is normal. It will contract again once it has cooled down.

**Notes**

- Each time the mains power is switched on or following a power failure, a sound is produced when the gas valves are started up. The illuminated rings around the control knobs will be lit green for a few seconds and then turn yellow. Wait until the illuminated rings switch off.
- When the gas cooktop is switched on, the electronics open up the gas supply, which produces a short sound. A sound can also be heard when the setting is changed. This is normal.

**Demo mode**

The demo mode is activated if all of the illuminated rings around the control knobs light up white for 10 seconds after switching on the appliance. The burner does not ignite. The illuminated ring around the active control knob lights up orange.

**You can deactivate the demo mode as follows:**

- 1 Turn all of the control knobs to 0. Disconnect the appliance from the mains power supply. Wait at least 30 seconds.
- 2 Reconnect the appliance. The illuminated rings around the control knobs light up green for a few seconds and then turn yellow. Wait until the illuminated rings switch off.
- 3 Then deactivate demo mode within three minutes as follows:  
Turn any of the control knobs anti-clockwise to position 12.
- 4 Turn the control knob clockwise to position 1.
- 5 Turn the control knob anti-clockwise to position 0. Wait until the illuminated ring lights up yellow.
- 6 Turn the control knob clockwise to position 1. The illuminated ring lights up green.  
Wait for five seconds. The illuminated ring now turns yellow.

Demo mode has now been deactivated. **To save the setting, always exit the menu as follows:**

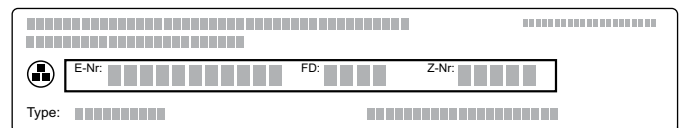
- 7 Turn the control knob to 0. Then turn the control knob anti-clockwise to position 12. Turn the control knob clockwise to position 1. Turn the control knob anti-clockwise to position 0. Wait until the illuminated ring goes out.

**After-sales service**

Our after-sales service is there for you if your appliance needs to be repaired. We will always find an appropriate solution, also in order to avoid after-sales personnel having to make unnecessary visits.

**E number and FD number**

When calling us, please quote the full product number (E no.) and the production number (FD no.) so that we can provide you with the correct advice. The rating plate that features these numbers can be found on the underside of the appliance.



To save time, you can make a note of the numbers for your appliance and the telephone number of the after-sales service in the space below in case you need them.

**E no.**

**FD no.**

**After-sales service** ☎

Please note that a visit from an after-sales service engineer is not free of charge in the event that the appliance has been misused, even during the warranty period.

Please find the contact data of all countries in the enclosed customer service list.

**To book an engineer visit and product advice**

**GB** 0344 892 8988  
Calls charged at local or mobile rate.

**IE** 01450 2655  
0.03 € per minute at peak.  
Off peak 0.0088 € per minute.

**AU** 1300 368 339

**NZ** 09 477 0492

Trust the expertise of the manufacturer, and rest assured that the repair will be carried out by trained service technicians using original spare parts for your domestic appliance.



# Índice

<b>Uso conforme a lo prescrito</b>	<b>18</b>
<b>Indicaciones de seguridad importantes</b>	<b>19</b>
<b>Causas de daños</b>	<b>21</b>
<b>Protección del medio ambiente</b>	<b>21</b>
Ahorro de energía	21
Eliminación de residuos respetuosa con el medio ambiente	21
<b>Presentación del aparato</b>	<b>22</b>
Placa de cocción de gas	22
Maneta de mando	22
Indicación en el anillo luminoso	23
Accesorios de instalación obligatorios	23
Accesorios especiales	23
Componentes de los quemadores	23
Componentes del quemador wok	24
<b>Manejar el aparato</b>	<b>24</b>
Conectar	25
Fuego lento	25
Control electrónico de la llama y reignición automática	25
Apagar	25
Indicador de calor residual	25
Desconexión de seguridad	25
<b>Tabla de ajustes y consejos</b>	<b>26</b>
Recomendación sobre los quemadores	26
Consejos para cocinar y asar	26
Consejos para el wok	26
<b>Consejos para el uso de recipientes</b>	<b>27</b>
Recipientes de cocción apropiados	27
Indicaciones de uso	27
<b>Cuidados y limpieza</b>	<b>28</b>
Limpiar el aparato	28
Suciedad quemada	28
Decoloración de los quemadores	28
<b>¿Qué hacer en caso de avería?</b>	<b>29</b>
Modo Demo	30
<b>Servicio de Asistencia Técnica</b>	<b>31</b>
Número de producto (E) y número de fabricación (FD)	
31	

Encontrará más información sobre productos, accesorios, piezas de repuesto y servicios en internet: [www.gaggenau.com](http://www.gaggenau.com) y también en la tienda online: [www.gaggenau.com/zz/store](http://www.gaggenau.com/zz/store)

## Uso conforme a lo prescrito

Leer con atención las siguientes instrucciones. Solo así se puede manejar el aparato de forma correcta y segura. Conservar las instrucciones de uso y montaje para utilizarlas más adelante o para posibles futuros compradores.

Este aparato ha sido diseñado exclusivamente para su montaje empotrado. Prestar atención a las instrucciones de montaje especiales.

Este aparato tiene que ser instalado según las instrucciones de montaje incluidas.

Comprobar el aparato al sacarlo de su embalaje. El aparato no debe conectarse en caso de haber sufrido daños durante el transporte.

La conexión del aparato debe realizarse exclusivamente por un técnico especialista autorizado. Los daños provocados por una conexión incorrecta no están cubiertos por la garantía. Para cambiar a otro tipo de gas, avisar al Servicio Técnico.

Este aparato ha sido diseñado para uso doméstico. Utilizar el aparato únicamente para preparar alimentos y bebidas, nunca como calefactor. Vigilarlo mientras está funcionando. Utilizarlo exclusivamente en espacios interiores.

No montar este aparato en barcos o vehículos.

Este aparato está previsto para ser utilizado a una altura máxima de 2.000 metros sobre el nivel del mar.

Este aparato no está previsto para el funcionamiento con un reloj temporizador externo o un mando a distancia.

No utilizar ninguna cubierta para la placa de cocción. Pueden provocar accidentes, p. ej., debido al sobrecalentamiento, ignición o desprendimiento de fragmentos de materiales.

Utilizar únicamente dispositivos de protección o protecciones para niños autorizados por nosotros. Los dispositivos de protección o las protecciones para niños inapropiados pueden provocar accidentes.

Este aparato puede ser utilizado por niños a partir de 8 años y por personas con limitaciones físicas, sensoriales o psíquicas, o que carezcan de experiencia y conocimientos, siempre y cuando sea bajo la supervisión de una persona responsable de su seguridad o que le haya instruido en el uso correcto del aparato siendo consciente de los daños que se pudieran ocasionar.

No dejar que los niños jueguen con el aparato. La limpieza y el mantenimiento rutinario no deben encomendarse a los niños a menos que sean mayores de 15 años y lo hagan bajo supervisión.

Mantener los niños menores de 8 años alejados del aparato y del cable de conexión.

Cerrar la válvula de seguridad situada en el conducto de alimentación de gas cuando no se vaya a utilizar el aparato durante un tiempo prolongado.

## **⚠ Indicaciones de seguridad importantes**

### **⚠ Advertencia – ¡COMPORTAMIENTO EN CASO PERCIBIR OLOR A GAS!**

Un escape de gas puede provocar una explosión.

#### **Si se detecta olor a gas o una avería en la instalación de gas:**

- Cortar inmediatamente la alimentación de gas o cerrar la válvula de la bombona de gas.
- Apagar inmediatamente los fuegos abiertos y cigarrillos.
- No volver a accionar el interruptor de la luz o del aparato, no desenchufar ningún aparato. No usar el teléfono fijo o el móvil en la casa.
- Abrir la ventana y ventilar a fondo la habitación.
- Llamar al Servicio de Asistencia Técnica o a la compañía de abastecimiento de gas.

### **⚠ Advertencia – ¡Peligro de asfixia!**

El uso de una cocina de gas da lugar a la formación de calor, humedad y productos de combustión en la habitación donde se encuentre instalada. Asegurar una buena ventilación en la habitación. Es preciso mantener siempre abiertas las aberturas naturales de ventilación o instalar un dispositivo mecánico de ventilación (p. ej. una campana extractora). Un uso intenso y prolongado del aparato puede hacer necesaria una ventilación adicional (p. ej. abrir una ventana) o una ventilación más efectiva (p. ej. funcionamiento del dispositivo mecánico de ventilación a un nivel de potencia superior).

### **⚠ Advertencia – ¡Peligro de incendio!**

- El aceite caliente y la grasa se inflaman con facilidad. Estar siempre pendiente del aceite caliente y de la grasa. No apagar nunca con agua un fuego. Apagar la zona de cocción. Sofocar con cuidado las llamas con una tapa, una tapa extintora u otro medio similar.
- Las zonas de cocción se calientan mucho. No colocar objetos inflamables sobre la placa de cocción. No almacenar objetos sobre la placa de cocción.
- El aparato se calienta mucho, los materiales inflamables se pueden incendiar. No almacenar ni usar objetos inflamables (p. ej. aerosoles o productos de limpieza) debajo o demasiado cerca del aparato. No colocar objetos inflamables sobre el aparato o dentro de él.
- Los fogones de gas, en los que no se haya colocado ningún recipiente para cocinar encima, generan gran cantidad de calor durante su funcionamiento. El aparato y la campana extractora, en caso de haberla, pueden quedar dañados o incendiarse. Los restos de grasa en el filtro de la campana extractora pueden inflamarse. Utilizar los fogones de gas únicamente colocando encima recipientes para cocinar.
- Si transcurridos 15 segundos la llama no se enciende, desactivar el mando de control y abrir la puerta o ventana de la estancia. Esperar al menos un minuto antes de intentar encender el quemador de nuevo.

### **⚠ Advertencia – ¡Peligro de quemaduras!**

- El aparato se calienta durante el funcionamiento. Antes de proceder a la limpieza del aparato, dejar que se enfríe.

- Las zonas de cocción y adyacentes, en especial el marco de la placa de cocción (si lo hay), se calientan mucho. No tocar nunca las superficies calientes. No dejar que los niños que acerquen.
- Las partes accesibles se calientan durante el funcionamiento. No tocar nunca las partes calientes. No dejar que los niños se acerquen.
- Si la tapa del aparato está puesta se producirá una acumulación de calor. Poner la tapa una vez el aparato esté frío. No encender nunca el aparato con la tapa puesta. No utilizar la tapa del aparato para conservar caliente o colocar objetos sobre ella.
- Los recipientes para cocinar vacíos colocados sobre fogones de gas encendidos, se calentarán en exceso. No calentar nunca recipientes para cocinar vacíos.
- Si la botella de gas líquido no está en posición vertical, el propano/butano líquido puede llegar al interior del aparato, por lo que puede causar llamas vivas en los quemadores. Con el tiempo, los componentes pueden dañarse y perder estanqueidad, de modo que puede escaparse gas. Ambos casos pueden producir quemaduras. Utilizar botellas de gas líquido siempre en posición vertical.

#### **⚠ Advertencia – ¡Peligro de lesiones!**

- Las reparaciones inadecuadas son peligrosas. Las reparaciones y la sustitución de cables eléctricos y conductos de gas defectuosos solo pueden ser efectuadas por personal del Servicio Técnico debidamente instruido. Si el aparato está averiado, desenchufarlo de la red o desconectar el fusible en la caja de fusibles y cortar la alimentación de gas. Avisar al Servicio de Asistencia Técnica.

- Las averías o daños en el aparato conllevan peligro. No conectar nunca un aparato defectuoso. Desenchufar el aparato de la red o desconectar el fusible en la caja de fusibles. Cortar la alimentación de gas. Avisar al Servicio de Asistencia Técnica.
- Las ollas que presenten daños, tengan un tamaño inadecuado o estén mal situadas pueden provocar lesiones graves. Observar los consejos y advertencias relativos a los recipientes para cocinar.

#### **⚠ Advertencia – ¡Peligro de descarga eléctrica!**

- Las reparaciones inadecuadas son peligrosas. Las reparaciones solo pueden ser efectuadas por personal del Servicio de Asistencia Técnica debidamente instruido. Si el aparato está defectuoso, extraer el enchufe o desconectar el fusible en la caja de fusibles. Avisar al Servicio de Asistencia Técnica.
- El aislamiento del cable de un aparato eléctrico puede derretirse al entrar en contacto con componentes calientes. No dejar que el cable de conexión de un aparato eléctrico entre en contacto con los componentes calientes.
- La humedad interior puede provocar una descarga eléctrica. No utilizar ni limpiadores de alta presión ni por chorro de vapor.
- Un aparato defectuoso puede ocasionar una descarga eléctrica. No conectar nunca un aparato defectuoso. Desenchufar el aparato de la red o desconectar el fusible de la caja de fusibles. Avisar al Servicio de Asistencia Técnica.

## Causas de daños

### ¡Atención!

- **Daños por exceso de calor en aparatos o muebles colindantes:** Si se utiliza el aparato durante mucho tiempo, se produce calor y humedad. Es necesaria una ventilación adicional. Por ejemplo, abrir una ventana o encender una campana extractora que conduzca el aire al exterior.
- **Daños en el aparato debido a una acumulación de calor:** No calentar asadores, sartenes o piedras de parrilla al mismo tiempo con varios quemadores.
- **Avería:** Mantener el mando de control en la posición cero siempre que no se esté utilizando el aparato.

## Protección del medio ambiente

Aquí se ofrecen consejos sobre cómo ahorrar energía e indicaciones para la eliminación del aparato.

### Ahorro de energía

- Escoger el quemador adecuado para el tamaño de la olla. Colocar el recipiente para cocinar centrado.
- Utilizar una olla pequeña para cantidades reducidas. Una olla grande y poco llena requiere mucha energía.
- Utilizar siempre la tapa correspondiente a cada olla. Cuando se cocina sin tapa, se necesita bastante más energía. Utilizar una tapa de cristal para poder tener visibilidad sin necesidad de levantarla.
- Al cocer, utilizar poca agua. De este modo se ahorra energía. Se conservan todas las vitaminas y minerales de las verduras.
- Reducir cuando corresponda y usar un nivel menor de potencia. Así se ahorra energía.

### Eliminación de residuos respetuosa con el medio ambiente



Eliminar el embalaje de forma ecológica.

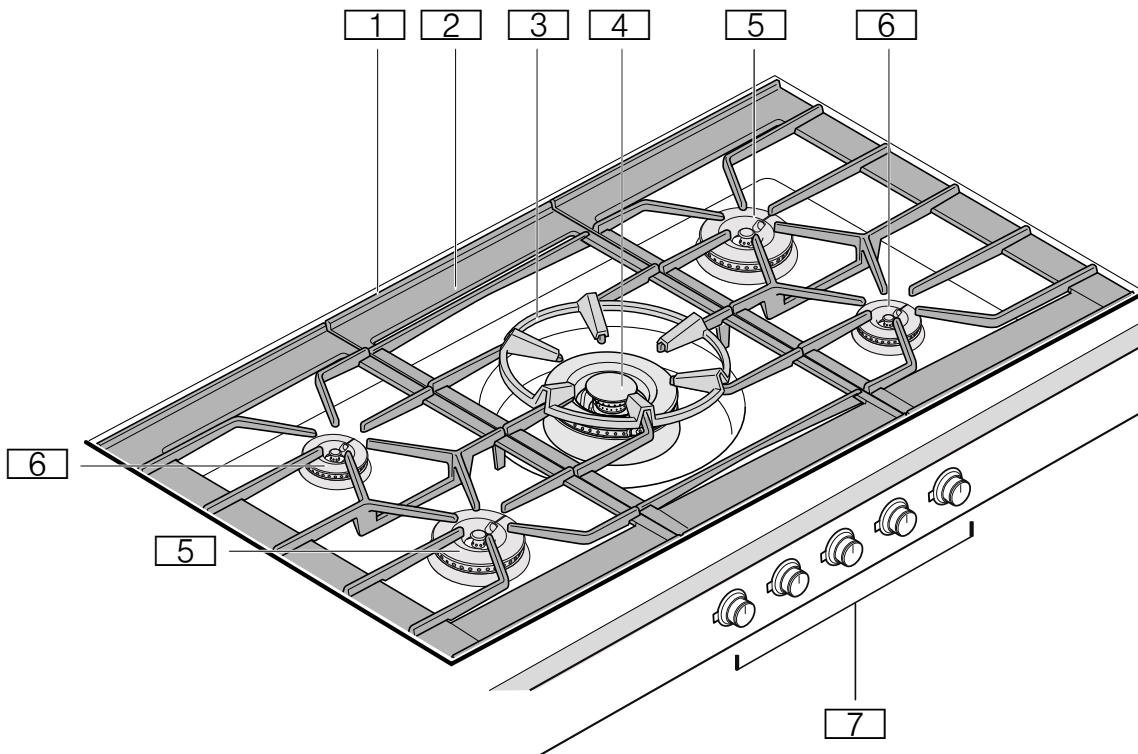


Este aparato está marcado con el símbolo de cumplimiento con la Directiva Europea 2012/19/UE relativa a los aparatos eléctricos y electrónicos usados (Residuos de aparatos eléctricos y electrónicos RAEE).

La directiva proporciona el marco general válido en todo el ámbito de la Unión Europea para la retirada y la reutilización de los residuos de los aparatos eléctricos y electrónicos.

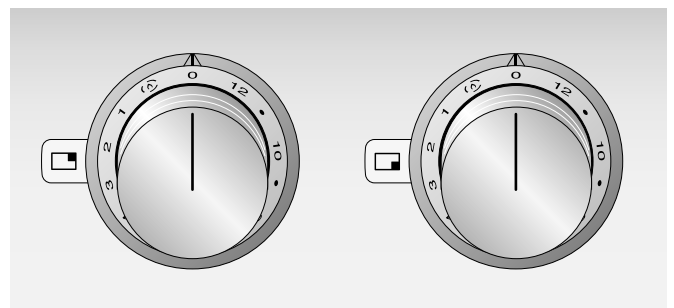
## Presentación del aparato

### Placa de cocción de gas



- 1 Aberturas de ventilación (bajo el soporte para ollas)
- 2 Soporte para ollas
- 3 Accesorio para wok
- 4 Quemador para wok de 6,0 / 5,8 kW
- 5 Quemador de gran potencia 4,0 kW
- 6 Quemador estándar 2,0 kW
- 7 Mandos de control

### Maneta de mando



Las marcas en el mando de control muestran el tipo de quemador y el ajuste del nivel de cocción (del 1 al 12) o el nivel de fuego lento (10).

<input type="checkbox"/>	Placa independiente delantera izquierda
<input type="checkbox"/>	Placa independiente trasera izquierda
<input type="checkbox"/>	Placa independiente central (tipo wok)
<input type="checkbox"/>	Placa independiente trasera derecha
<input type="checkbox"/>	Placa independiente delantera derecha

## Indicación en el anillo luminoso

Todos los mandos de control disponen de un anillo luminoso con distintas indicaciones.

Indicadores	Significado
○ Apagado	Aparato APAGADO
● Iluminado en naranja	Aparato ENCENDIDO
☀ Parpadeo naranja	Aparato APAGADO Indicador de calor residual
☀ Parpadeo que cambia de naranja a blanco	Desconexión de seguridad, apagón
☀ Parpadeo que cambia de amarillo a magenta	Avería en el aparato Avisar al servicio de atención al cliente.
● Se ilumina en verde durante unos instantes y luego cambia a amarillo	El electrodoméstico arranca, pero solo tras conectarlo por primera vez o tras un apagón

## Accesorios de instalación obligatorios

CA 429 410 Conjunto de armazones compuesto por marco de decoración (se puede soldar) y marco de sujeción

## Accesorios especiales

En su comerciante especializado, puede adquirir el accesorio indicado a continuación:

WP 400 001 Sartén Wok de material multicapa. Con fondo abombado y mango, Ø 36 cm, 6 Litros, Altura 10 cm.

Utilice el accesorio tal como se ha prescrito. El fabricante no se hace responsable por un uso incorrecto.

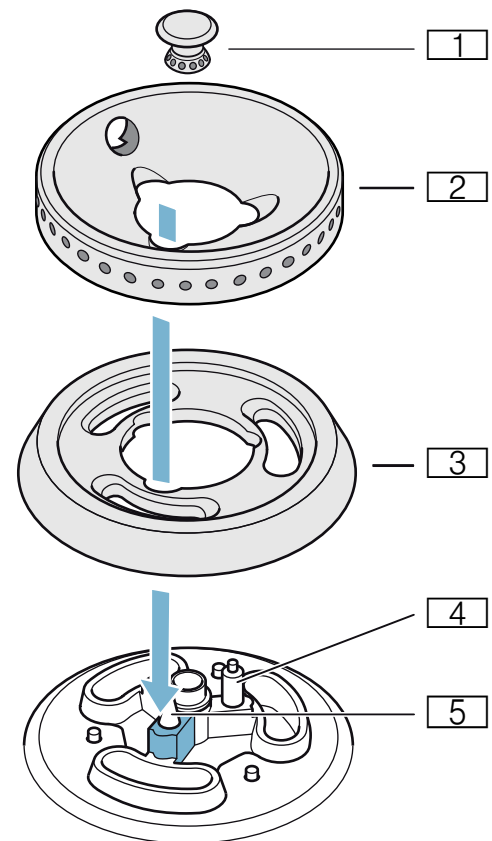
## Componentes de los quemadores

Montar los componentes de los quemadores rectos y en su posición adecuada; si no, se podrían producir alteraciones en la ignición o durante el funcionamiento.

Colocar el cabezal y el círculo de llama del quemador de tal manera que los salientes de la parte inferior del quemador encajen en los huecos correspondientes. La dirección del cabezal y del círculo de llama del quemador no es importante.

**Nota:** Si los componentes del quemador no se colocan rectos, el aparato no funcionará.

### Componentes del quemador estándar y el quemador de gran potencia

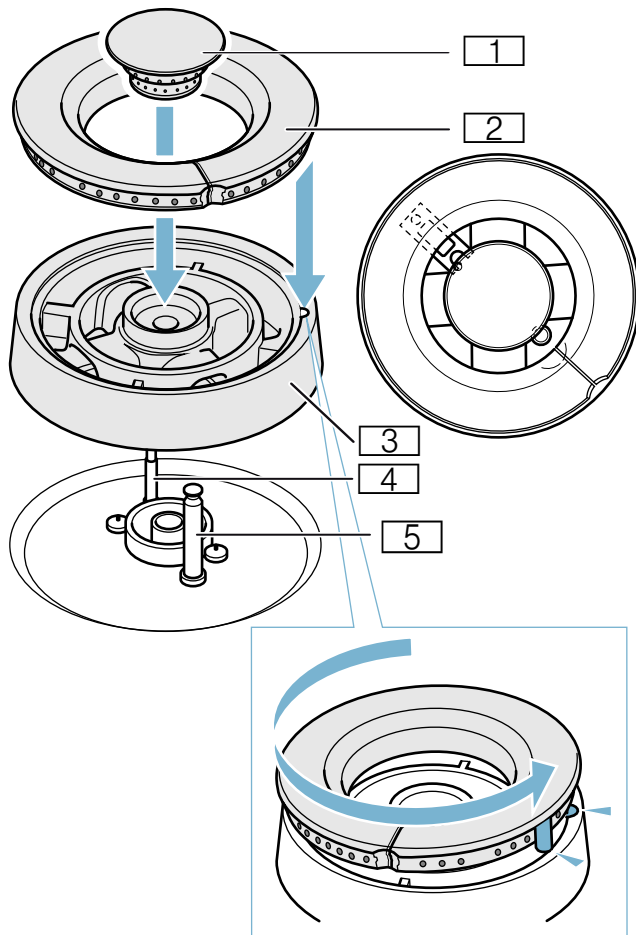


- 1 Tapa del quemador
- 2 Círculo de llama del quemador
- 3 Cabezal del quemador
- 4 Bujía
- 5 Termopar

## Componentes del quemador wok

Montar los componentes del quemador wok rectos y en su posición adecuada; si no, se podrían producir alteraciones en la ignición o durante el funcionamiento. Colocar el cabezal del quemador de manera que el termopar encaje en el hueco correspondiente del cabezal. La lengüeta de retención del círculo de llama del quemador debe encajar en el hueco correspondiente del cabezal.

**Nota:** Si los componentes del quemador no se colocan rectos, el aparato no funcionará.



- 1 Tapa del quemador
- 2 Círculo de llama del quemador
- 3 Cabezal del quemador
- 4 Termopar
- 5 Bujía

## Manejar el aparato

### Notas

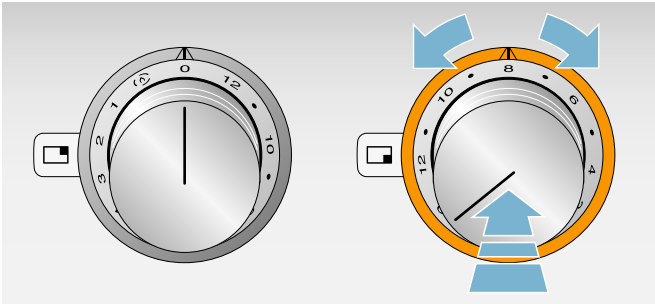
- Utilizar únicamente los accesorios indicados. No cubrir la placa de acero inoxidable (p. ej. con papel de aluminio).
- El quemador y la bujía de encendido deben estar limpios y secos.
- Las zonas de cocción solo deben encenderse cuando el soporte para ollas y todos los componentes del quemador estén correctamente colocados.
- Cuando se enciende un quemador, se produce una chispa en todos los quemadores.
- No tocar la bujía mientras el aparato de gas esté encendiendo.
- Mantener la máxima limpieza. Si las bujías están sucias, el encendido será defectuoso. Limpiarlas periódicamente con un cepillo pequeño no metálico. Tener en cuenta que las bujías no deben sufrir impactos violentos.
- Para cocinar con una sartén wok, hay que colocar el accesorio para wok sobre el quemador tipo wok en el soporte para ollas. Asegurarse de que la sartén wok esté colocada correctamente sobre el accesorio para wok.
- Al cambiar del nivel 3 al 4 o a un nivel superior, el quemador pasa brevemente a la potencia máxima. De este modo se optimiza la propagación de la llama entre los círculos de los quemadores.
- No tapan las aberturas de ventilación de la parte trasera de la placa de cocción de gas.
- Cuando se enciende la placa de cocción de gas, el sistema electrónico abre el suministro de gas, lo que produce un sonido de corta duración. Esto es normal.
- Durante un apagón, el aparato no puede funcionar. El suministro de gas está cortado.



## Conectar

La placa de cocción de gas dispone de un sistema de encendido rápido automático.

- 1 Colocar un recipiente de cocción adecuado sobre la rejilla.
- 2 Presionar y girar el mando de control del quemador elegido hacia la izquierda o hacia la derecha hasta seleccionar el nivel de potencia deseado. El quemador se enciende automáticamente.



Se puede ajustar el nivel de potencia deseado girando el mando de control.

### **⚠ Advertencia – ¡Peligro de deflagración!**

Si transcurridos 15 segundos la llama no se enciende, desactivar el mando de control y abrir la puerta o ventana de la estancia. Esperar al menos un minuto antes de intentar encender el quemador de nuevo.

## Fuego lento

En el nivel de fuego lento, el quemador enciende y apaga la llama. Así, por ejemplo, se puede fundir chocolate o calentar salsas delicadas.

Girar el mando de control hasta  $\text{⏸}$ . La duración del encendido o apagado es de 10-50 segundos.

## Control electrónico de la llama y reignición automática

Para garantizar su seguridad, la placa de cocción incorpora un sistema de control electrónico de la llama. En el caso de que la llama se apague (p. ej. debido a una corriente de aire), el aparato vuelve a encender el quemador de forma automática.

Si la reignición no se produce (p. ej. debido a que el quemador está sucio por restos de líquidos derramados), el aparato corta el suministro de gas. Parpadea el anillo luminoso situado detrás del mando de control.

Girar el mando de control a la posición 0 y esperar a que el aparato se haya enfriado. A continuación, comprobar si todos los componentes del quemador están colocados correctamente. Comprobar si el quemador o la bujía están sucios. → "¿Qué hacer en caso de avería?" en la página 29

## Apagar

Girar el mando de control hasta la posición 0. El sistema electrónico del aparato corta el suministro de gas.

## Indicador de calor residual

Después de apagar el anillo luminoso situado detrás de la maneta de mando parpadea, durante el tiempo necesario como aviso de riesgo que no podrá tocar el aparato por estar demasiado caliente.

## Desconexión de seguridad

Para proteger al usuario, el aparato tiene una función de desconexión de seguridad. El aparato se apaga automáticamente cuando lleva mucho tiempo en marcha. El tiempo que pasa hasta apagarse depende del ajuste (nivel de potencia 12 = 1 hora, nivel de potencia 1 = 4 horas). El anillo luminoso situado detrás del mando de control parpadea cambiando entre los colores naranja y blanco.

Girar el mando de control hasta la posición 0, después se puede volver a poner en marcha el aparato del modo habitual.

## Tabla de ajustes y consejos

Nivel de potencia	Procedimiento de cocción	Ejemplos
12	Calentar	Agua, consomés
	Escaldar	Verduras
10-12	Sellar	Carne, platos al wok o a la sartén
	Asar a temperaturas altas	Carne, patatas
7-10	Continuar la cocción con la tapa abierta	Líquidos, pastas
6-8	Horneado	Productos elaborados con harina
	Asar a temperaturas medias	Ave, pescado
4-6	Asar a temperaturas bajas	Salchichas, cebollas, productos elaborados con huevo
	Calentar	Verduras, sopas, guisos
	Freír	Patatas fritas, galletas
	Escalfar con la tapa abierta	Knödel, salchichas cocidas
3-4	Descongelar	Alimentos congelados
	Estofar	Rollos de carne asada, asados
	Rehogar	Verduras
2-4	Continuar la cocción con la tapa cerrada	Sopas, verduras
Desde fuego lento hasta el nivel 3	Poner en remojo	Arroz, arroz con leche, cereales
Fuego lento	Fundir, conservar caliente	Chocolate, mantequilla

## Recomendación sobre los quemadores

Para procesos de cocción largos y a baja temperatura (p. ej., fundir, poner en remojo o cocer), elegir el quemador estándar o el de gran potencia (no el quemador wok).

Para procesos de cocción breves y a alta temperatura (p. ej., calentar o freír), recomendamos el quemador wok o el de gran potencia.

## Consejos para cocinar y asar

Los valores de la tabla de ajuste son meramente orientativos, ya que según el tipo y estado de los alimentos, así como el tamaño y el nivel de llenado de la olla, puede ser necesario más o menos calor.

Debido a su elevada potencia la grasa y el aceite se calientan muy rápidamente. No deje los productos en cocción sin vigilancia, la grasa podría incendiarse y quemar el producto de asar.

## Consejos para el wok

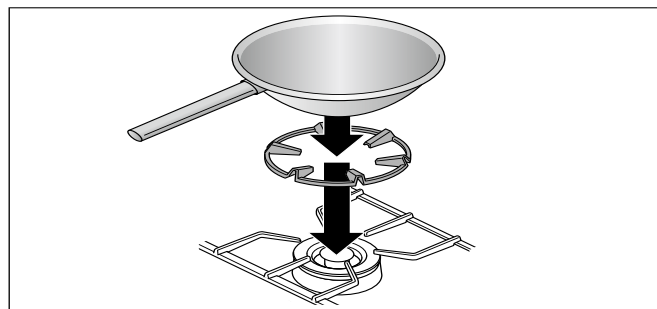
**Nota:** Para cocinar con una sartén wok, hay que colocar el accesorio para sartén wok sobre el quemador tipo wok en el soporte para ollas. Asegurarse de que la sartén wok esté colocada correctamente sobre el accesorio para sartén wok.

Le recomendamos sartenes wok con fondo abombado. Se puede adquirir una sartén wok de gran calidad como accesorio especial (n.º de referencia WP 400 001).

Para cocinar con la sartén wok, utilizar únicamente un aceite de cocina que alcance elevadas temperaturas, p. ej., aceite de cacahuete.

Cocer los ingredientes a fuego alto, removiendo constantemente y no durante demasiado tiempo. Las verduras deben quedar al dente.

Para remover y sacar los alimentos, utilizar un cucharón plano con mango largo de material resistente al calor.



## Consejos para el uso de recipientes

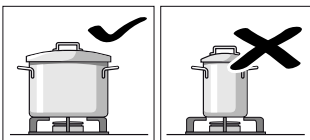
Las siguientes indicaciones ayudan a ahorrar energía y a evitar daños en los recipientes para cocinar.

### Recipientes de cocción apropiados

Quemador	Diámetro recomendado de la base de la olla	Diámetro mínimo de la base de la olla
Quemador estándar	200-240 mm	90 mm
Quemador de gran potencia	240-280 mm	90 mm
Quemador tipo wok	240-320 mm Utilizar la sartén wok únicamente con el accesorio para sartén wok.	160 mm

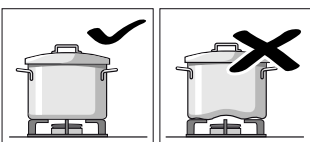
No deben utilizarse ollas con un diámetro menor de 90 mm o mayor de 280 mm (320 mm para el quemador tipo wok). Si se utilizan ollas de mayor tamaño, estas no pueden sobrepasar la anchura del aparato.

### Indicaciones de uso



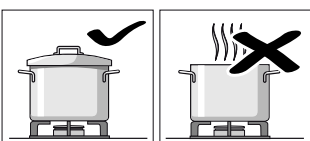
Utilice recipientes de cocción de tamaño apropiado al quemador correspondiente.

No utilice recipientes de cocción pequeños en un quemador grande. La llama no deberá tocar los laterales del recipiente de cocción.

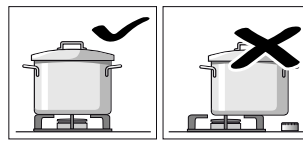


No utilice recipientes de cocción deformados que no asienten de forma estable sobre la placa de cocción. Los recipientes podrían volcar.

Utilice sólo recipientes de cocción con una base plana y gruesa.

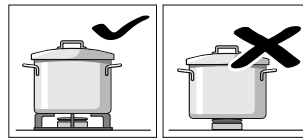


No cocine sin tapa o si se encuentra desplazada la tapa. Se derrocha gran parte de la energía.



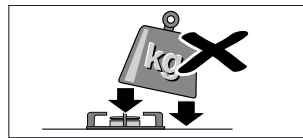
Coloque el recipiente de cocción en el centro por encima del quemador, de lo contrario podría volcar el recipiente.

No coloque las ollas grandes sobre el quemador cerca de los mandos. Estos podrían sobrecalentarse y por consiguiente dañarse.



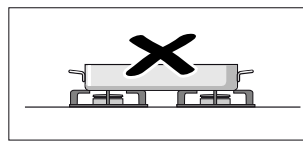
Coloque las ollas sobre soporte de ollas y no directamente sobre los quemadores.

Cerciórese antes de su uso que el soporte de ollas y la tapa del quemador de gas asienten correctamente.



Manipule con precaución los recipientes colocados sobre la placa de cocción.

No golpee la placa de cocción ni coloque sobre ella elevados pesos.



No caliente nunca un recipiente de cocción (p.ej. asador, sartén, piedra para grill) con varios quemadores. La acumulación de calor produce daños en el aparato.

## Cuidados y limpieza

### ⚠ Advertencia – ¡Peligro de descarga eléctrica!

La humedad interior puede provocar una descarga eléctrica. No utilizar ni limpiadores de alta presión ni por chorro de vapor.

### ⚠ Advertencia – ¡Peligro de quemaduras!

Las partes accesibles se calientan durante el funcionamiento. No tocar nunca las partes calientes. No dejar que los niños se acerquen.

### ¡Atención!

#### **Daños superficiales**

No use los medios de limpieza siguientes

- Productos de limpieza abrasivos o bien agresivos
- Limpiadores para hornos
- Limpiadores cáusticos, con cloro o agresivos
- Limpiadores con un alto contenido de alcohol
- Esponjas de fregar, cepillos o bien estropajos duros o abrasivos

Si el aparato entra en contacto con estos medios, lavelo inmediatamente con agua.

¡Antes del uso lave siempre las esponjas nuevas!

## Limpiar el aparato

Limpiar el aparato después de cada uso una vez se haya enfriado. Eliminar de inmediato los derrames y no permitir que se quemen restos de comida.

Mantener limpias las aberturas de ventilación de debajo del soporte para ollas. No deben cubrirse las aberturas de ventilación.

Secar concienzudamente los quemadores tras su limpieza. El aparato solo debe ponerse en marcha si los quemadores están secos. Los quemadores húmedos pueden dar problemas al encender el aparato o hacer que la llama no sea estable.

Durante el montaje, colocar los componentes del quemador en la posición correcta (lengüetas de retención). Todas las piezas deben estar rectas.

Pieza del aparato/Superficie	Limpieza recomendada
Superficies de acero inoxidable	<p>Agua con un poco de jabón. Secar seguidamente con un paño suave. Utilizar poca cantidad de agua para la limpieza, ya que no debe penetrar agua en el aparato.</p> <p>Dejar ablandar las zonas quemadas con un poco de agua con detergente sin restregar.</p> <p>Utilizar nuestro limpiador para acero inoxidable para eliminar la suciedad incrustada o decoloración amarilla provocada por el calor (n.º art. 00311499).</p>
Soporte para ollas, accesorio para wok	<p>Retirarlo con cuidado para la limpieza. Dejarlo ablandar en el fregadero. Limpiar con un cepillo para fregar los platos y detergente.</p> <p>Limpiar con sumo cuidado la zona del tope de goma para que este no se desprenda.</p> <p>Enjuagar con agua limpia y dejar secar antes de volverlo a colocar.</p> <p><b>No lavar en el lavavajillas.</b></p>
Componentes del quemador	<p>Agua con un poco de jabón. Secar seguidamente con un paño suave. Comprobar que las aberturas no estén obstruidas.</p> <p>Prestar atención para que no se extravié ninguna pieza pequeña.</p> <p><b>No lavar en el lavavajillas.</b></p>
Mandos de control	<p>Utilizar agua con un poco de jabón y no humedecer el trapo en exceso. Secar con un paño suave.</p>

## Suciedad quemada

Para eliminar la suciedad incrustada o quemada, se puede solicitar un gel limpiador (n.º art. 00311859) en nuestra tienda en línea o a través de un comercio especializado o de nuestro servicio de atención al cliente. Este gel está indicado para los soportes para ollas y las placas de acero inoxidable. En caso necesario, dejar que el producto actúe toda la noche. Tener en cuenta las indicaciones del propio producto limpiador.

### ¡Atención!

#### **Daños en la superficie**

No aplicar el gel limpiador sobre los componentes de los quemadores.

## Decoloración de los quemadores

Después de un uso prolongado, los componentes de latón de los quemadores se vuelven más oscuros por oxidación natural. El cambio de color no afecta al rendimiento de uso.

## ¿Qué hacer en caso de avería?

Muchas veces usted mismo podrá eliminar las fallas que se presenten. Antes de llamar el servicio al cliente, tenga en cuenta las siguientes indicaciones.

### **Advertencia – ¡Peligro de descarga eléctrica!**

Las reparaciones inadecuadas son peligrosas. Las reparaciones solo pueden ser efectuadas por personal del Servicio de Asistencia Técnica debidamente instruido. Si el aparato está defectuoso, extraer el enchufe o desconectar el fusible en la caja de fusibles. Avisar al Servicio de Asistencia Técnica.

Anomalía	Posible causa	Solución
La llama se no enciende al activarla.	No hay suministro de corriente eléctrica.	Girar todos los mandos de control hasta 0. Comprobar en la caja de fusibles si ha saltado el fusible.
La llama se no enciende al activarla. El anillo luminoso situado detrás del mando de control parpadea cambiando entre los colores naranja y blanco.	Avería en el quemador o en el suministro de gas.	Girar todos los mandos de control hasta 0. <b>Comprobar:</b> <ul style="list-style-type: none"> <li>● ¿Los componentes del quemador están bien colocados?</li> <li>● ¿La llave de paso del gas está abierta?</li> <li>● ¿El quemador está limpio y seco?</li> <li>● ¿Ha quedado aire en la tubería tras conectar la bombona por primera vez o al cambiarla (con gas licuado)?</li> <li>● ¿Está vacía la bombona (con gas licuado)?</li> </ul>
La llama se no enciende al activarla. Todos los anillos luminosos situados tras los mandos de control se iluminan en blanco durante 10 segundos tras encender el aparato. Después, el anillo luminoso del mando de control activo se ilumina en naranja.	El modo Demo está activado.	Desactivar el modo Demo.
La llama no se enciende al activarla. El anillo luminoso situado detrás del mando de control parpadea cambiando entre los colores amarillo y magenta.	Fallo electrónico	Girar todos los mandos de control hasta 0 y desconectar el aparato de la red durante un minuto (desconectar el fusible o desconectar el enchufe).  Conectar de nuevo el electrodoméstico a la red eléctrica. Los anillos luminosos del mando de control se iluminan en verde durante unos segundos y luego cambian a amarillo. Esperar a que los anillos luminosos se apaguen. A continuación, girar uno de los mandos de control hasta cualquier nivel de potencia y volver a girarlo hasta 0  Conectar el quemador. Si el anillo luminoso parpadea de nuevo cambiando entre los colores amarillo y magenta, avisar al servicio de atención al cliente.
El quemador se apaga cuando está en uso. El anillo luminoso situado detrás del mando de control parpadea cambiando entre los colores naranja y blanco.	Desconexión de seguridad: Ha transcurrido mucho tiempo sin realizar ninguna acción.	Girar todos los mandos de control hasta 0 y después, en caso necesario, volver a encender el quemador.
El quemador se apaga cuando está en uso. El anillo luminoso situado detrás del mando de control parpadea cambiando entre los colores naranja y blanco.	Apagón en la casa: Tras un apagón, el aparato se queda apagado por razones de seguridad.	Girar todos los mandos de control hasta 0 y después, en caso necesario, volver a encender el quemador.

Hay olor a gas en la cocina.	Puede haber puntos de fuga en la conexión de la bombona de gas.	Comprobar que la conexión de la bombona de gas sea hermética. Abrir la ventana y ventilar a fondo la habitación.
Durante el funcionamiento, los extremos del aparato se curvan ligeramente hacia arriba.	El calor hace que el metal de la placa de cocción se ensanche.	Esto es normal. Cuando se enfría ya no se percibe ninguna curvatura.

### Notas

- Cada vez que se activa la red o tras un apagón se produce un sonido, ya que las válvulas de gas se inicializan. Los anillos luminosos del mando de control se iluminan en verde durante unos instantes y luego cambian a amarillo. Esperar a que los anillos luminosos se apaguen.
- Cuando se enciende la placa de cocción de gas, el sistema electrónico abre el suministro de gas, lo que produce un sonido de corta duración. Asimismo, al cambiar el ajuste de potencia también se oye un sonido. Esto es normal.

### Modo Demo

El modo Demo está activado si todos los anillos luminosos del mando de control se iluminan en blanco durante 10 segundos tras encender el aparato. El quemador no se enciende. El anillo luminoso del mando de control se ilumina en naranja.

#### Se puede desactivar el modo Demo como se indica a continuación:

- 1 Girar todos los mandos de control hasta 0. Desconectar el aparato de la red eléctrica. Esperar al menos 30 segundos.
- 2 Conectar de nuevo el electrodoméstico a la red eléctrica. Los anillos luminosos del mando de control se iluminan en verde durante unos segundos y luego cambian a amarillo. Esperar a que los anillos luminosos se apaguen.
- 3 A continuación, desactivar el modo Demo dentro de los siguientes 3 minutos, siguiendo estos pasos: Girar uno de los mandos de control hacia la izquierda, hasta la posición 12.
- 4 Girar el mando de control hacia la derecha, hasta la posición 1.
- 5 Girar el mando de control hacia la izquierda, hasta la posición 0. Esperar a que el anillo luminoso se ilumine en color amarillo.
- 6 Girar el mando de control hacia la derecha, hasta la posición 1. El anillo luminoso se ilumina en color verde. Esperar 5 segundos. El anillo luminoso cambia de color a amarillo.

El modo Demo se ha desactivado. **Para guardar el ajuste es obligatorio salir del menú como se indica a continuación:**

- 7 Girar el mando de control hasta 0. A continuación, girar el mando de control hacia la izquierda, hasta la posición 12. Girar el mando de control hacia la derecha, hasta la posición 1. Girar el mando de control hacia la izquierda, hasta la posición 0. Esperar a que el anillo luminoso se apague.

---

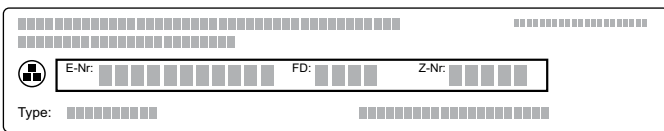
## Servicio de Asistencia Técnica

---

Nuestro Servicio de Asistencia Técnica se encuentra a su disposición siempre que necesite la reparación de su aparato. Siempre encontramos la solución adecuada, incluso para evitar que el personal del Servicio de Asistencia Técnica deba desplazarse innecesariamente.

### Número de producto (E) y número de fabricación (FD)

Indicar el número de producto (E) completo y el de fabricación (FD) para obtener un asesoramiento cualificado. La placa de características con los números se encuentra en la parte inferior del aparato.



A fin de evitarse molestias llegado el momento, le recomendamos anotar los datos de su aparato, así como el número de teléfono del Servicio de Asistencia Técnica en el siguiente apartado.

---

E-Nr.	N.º de fabricación (FD)
-------	-------------------------

---



---

**Servicio de Asistencia Técnica** ☎

---

En caso de manejo incorrecto, debe tenerse en cuenta que la asistencia del personal del Servicio de Asistencia Técnica no es gratuita, incluso durante el periodo de garantía.

Las señas de las delegaciones internacionales figuran en la lista adjunta de centros y delegaciones del Servicio de Asistencia Técnica Oficial.

#### Solicitud de reparación y asesoramiento en caso de averías

**E** 902 30 30 44

Confíe en la competencia del fabricante. De esa forma se asegura de que la reparación se lleva a cabo por personal técnico debidamente instruido, equipado con las piezas originales y de repuesto necesarias para su aparato.

---

## Índice

---

<b>Utilização de acordo com o fim a que se destina</b>	<b>33</b>
<b>Indicações de segurança importantes</b>	<b>34</b>
<b>Causas de danos</b>	<b>36</b>
<b>Proteção do meio ambiente</b>	<b>36</b>
Poupar energia	36
Eliminação ecológica	36
<b>Familiarização com o aparelho</b>	<b>37</b>
Placa de cozinhar a gás	37
Botão de comando	37
Indicação no anel luminoso	38
Acessórios de instalação necessários	38
Acessórios especiais	38
Peças individuais do queimador	38
Peças individuais do queimador para wok	39
<b>Utilizar o aparelho</b>	<b>39</b>
Ligar	40
Nível de cozedura lenta	40
Monitorização eletrónica da chama e re-ignição automática	40
Desligar	40
Indicador de calor residual	40
Bloqueio de segurança	40
<b>Tabela de regulações e conselhos</b>	<b>41</b>
Recomendação relativa ao queimador	41
Dicas para cozer e fritar	41
Dicas sobre o wok	41
<b>Indicações sobre o recipiente para cozinhar</b>	<b>42</b>
Tachos/panelas adequados	42
Instruções de utilização	42
<b>Limpeza e manutenção</b>	<b>43</b>
Limpeza do aparelho	43
Sujidade incrustada	43
Descoloração dos queimadores	43
<b>Anomalias, o que fazer?</b>	<b>44</b>
Modo de demonstração	45
<b>Assistência Técnica</b>	<b>45</b>
Número E e número FD	45

Obtenha mais informações relativas a produtos, acessórios, peças sobresselentes e Assistência Técnica na Internet: [www.gaggenau.com](http://www.gaggenau.com) e na Loja Online: [www.gaggenau.com/zz/store](http://www.gaggenau.com/zz/store)



## Utilização de acordo com o fim a que se destina

Leia atentamente o presente manual. Só assim poderá utilizar o seu aparelho de forma segura e correcta. Guarde as instruções de utilização e montagem para consultas futuras ou para futuros utilizadores.

Este aparelho destina-se apenas à montagem embutida. Respeite as instruções de montagem especiais.

Este aparelho tem de ser instalado segundo as instruções de montagem incluídas.

Examine o aparelho depois de o desembalar. Se forem detectados danos de transporte, não ligue o aparelho.

O aparelho só pode ser ligado por um técnico autorizado. A garantia cessa em caso de danos provocados por uma ligação incorrecta. Para adaptar o aparelho para um tipo de gás diferente, contacte o serviço de assistência técnica.

Este aparelho destina-se exclusivamente a uso privado e doméstico. Utilize o aparelho apenas para preparar refeições e bebidas. Nunca o utilize como aparelho de aquecimento. Vigie o aparelho durante o funcionamento. Utilize o aparelho apenas em espaços interiores.

Não monte este aparelho em embarcações ou veículos.

O aparelho foi concebido para ser utilizado até a uma altitude de 2000 metros acima do nível do mar, no máximo.

Este aparelho não foi previsto para ser utilizado com um temporizador externo ou um telecomando externo.

Não utilize tampas para a placa de cozinhar. Podem provocar acidentes, p. ex., devido ao sobreaquecimento, à inflamação ou ao rebentamento dos materiais.

Utilize apenas dispositivos de proteção ou grelhas de proteção para crianças por nós autorizados. Dispositivos de proteção ou grelhas de proteção para crianças inadequados podem provocar acidentes.

Este aparelho pode ser usado por crianças com mais de 8 anos e por pessoas com limitações físicas, sensoriais ou mentais ou com pouca experiência ou conhecimentos, se estiverem sob vigilância de uma pessoa responsável pela sua segurança ou tiverem sido instruídas acerca da utilização segura do aparelho e tiverem compreendido os perigos decorrentes da sua utilização.

As crianças não devem brincar com o aparelho. As tarefas de limpeza e manutenção por parte do utilizador não devem ser efectuadas por crianças, a não ser que tenham mais de 15 anos e estejam sob vigilância.

As crianças menores de 8 anos devem manter-se afastadas do aparelho e do cabo de ligação.

Fechar a válvula de segurança na condução de admissão de gás sempre que o aparelho não seja utilizado durante longos períodos.

## **⚠ Indicações de segurança importantes**

### **⚠ Aviso – PROCEDIMENTO EM CASO DE CHEIRO A GÁS!**

As fugas de gás podem provocar explosões.

#### **Caso se verifique cheiro a gás ou anomalias na instalação de gás:**

- Fechar imediatamente a alimentação de gás ou a válvula da botija de gás.
- Apagar imediatamente qualquer lume, chama e cigarros.
- Não ligar o interruptor da luz e do aparelho, não retirar os interruptores da tomada. Não utilizar telefones ou telemóveis em casa.
- Abrir as janelas e arejar bem o espaço.
- Chamar o serviço de assistência técnica ou a empresa de abastecimento de gás.

### **⚠ Aviso – Perigo de asfixia!**

A utilização de um aparelho de cozinhar a gás produz calor, humidade e produtos de combustão no local de instalação. Certifique-se que há uma ventilação suficiente do local de instalação. Os orifícios de ventilação naturais devem ficar abertos ou deve ser providenciado um equipamento de ventilação mecânica (p.ex. um exaustor). Se utilizar o aparelho intensiva e prolongadamente poderá ser necessária ventilação adicional, p.ex. abrir uma janela, ou uma ventilação mais eficaz, p.ex. aumentar a potência do equipamento de ventilação mecânica disponível.

### **⚠ Aviso – Perigo de incêndio!**

- O óleo e a gordura quentes incendeiam-se rapidamente. Nunca deixe óleo ou gordura quentes sem vigilância. Nunca apague fogo com água. Desligue a zona de cozinhar. Afafe as chamas com uma tampa, manta de amianto ou um objecto equivalente.
- As zonas de cozinhar ficam muito quentes. Nunca coloque objectos inflamáveis sobre a placa de cozinhar. Não guarde objectos sobre a placa de cozinhar.

- O aparelho fica muito quente; os materiais combustíveis podem inflamar-se. Nunca coloque nem utilize objectos inflamáveis (p. ex., latas de spray, produtos de limpeza) por baixo do aparelho ou nas suas imediações. Nunca coloque objectos inflamáveis sobre o aparelho nem no seu interior.
- As zonas de cozinhar a gás que não tenham louça para cozinhar colocada em cima ficam muito quentes durante o funcionamento. O aparelho e um exaustor que tenha sido colocado por cima podem danificar-se ou incendiar-se. Os resíduos de gordura no filtro do exaustor podem incendiar-se. As zonas de cozinhar a gás devem apenas funcionar com louça para cozinhar colocada em cima.
- Se o queimador não se acender após 15 segundos, desligue os comandos e abra a porta ou a janela do compartimento. Aguarde, pelo menos, um minuto, antes de acender novamente o queimador.

### **⚠ Aviso – Perigo de queimaduras!**

- O aparelho aquece durante o funcionamento. Deixe o aparelho arrefecer antes de realizar a limpeza.
- As zonas de cozinhar e as suas imediações, nomeadamente uma estrutura da placa de cozinhar, eventualmente existente, ficam muito quentes. Nunca toque nas superfícies quentes. Mantenha as crianças afastadas.
- As peças que se encontram acessíveis ficam quentes durante o funcionamento do aparelho. Nunca toque nas peças quentes. Manter fora do alcance das crianças.

- Com a cobertura do aparelho fechada, o calor acumula-se. Feche a cobertura do aparelho só depois de o aparelho ter arrefecido. Nunca ligue o aparelho com a cobertura fechada. Nunca utilize a cobertura do aparelho para manter os alimentos quentes nem como suporte.
- A louça para cozinhar vazia fica extremamente quente em cima de zonas de cozinhar a gás em funcionamento. Nunca aqueça louça para cozinhar vazia.
- Quando a garrafa de gás de petróleo liquefeito (GPL) não está na vertical, pode passar propano/butano líquido para o aparelho, podendo originar labaredas intensas nos queimadores. Os componentes poderão ser danificados e, com o tempo, deixar de vedar corretamente, permitindo a saída descontrolada de gás. Qualquer destas situações pode provocar queimaduras. Coloque sempre garrafas de GPL na posição vertical.

#### **⚠ Aviso – Perigo de ferimentos!**

- As reparações indevidas são perigosas. As reparações e substituições de condutores de corrente e tubagens do gás danificados só podem ser efectuadas por técnicos especializados do serviço de assistência técnica. Se o aparelho estiver avariado, desligue a ficha da tomada ou desligue o disjuntor no quadro eléctrico e feche a alimentação de gás. Contacte o serviço de assistência técnica.
- Avarias ou danos no aparelho são perigosos. Nunca ligue um aparelho defeituoso. Desligue a ficha da tomada ou desligue o disjuntor no quadro eléctrico. Feche a alimentação de gás. Contacte o serviço de assistência técnica.
- Recipientes de tamanho inadequado, danificados ou mal colocados podem provocar ferimentos graves. Ter em atenção as indicações sobre os recipientes para cozinhar.

#### **⚠ Aviso – Perigo de choque eléctrico!**

- As reparações indevidas são perigosas. As reparações só podem ser efectuadas por técnicos especializados do serviço de assistência técnica. Se o aparelho estiver avariado, puxe a ficha da tomada ou desligue o disjuntor no quadro eléctrico. Contacte o serviço de assistência técnica.
- O isolamento dos cabos de electrodomésticos pode derreter em contacto com partes quentes do aparelho. Nunca coloque os cabos de electrodomésticos em contacto com partes quentes do aparelho.
- A humidade que se infiltra no aparelho pode dar origem a um choque eléctrico. Não utilize aparelhos de limpeza a alta pressão ou de limpeza a vapor.
- Um aparelho avariado pode causar choques eléctricos. Nunca ligue um aparelho avariado. Puxe a ficha da tomada ou desligue o disjuntor no quadro eléctrico. Contacte o Serviço de Assistência Técnica.

## Causas de danos

### Atenção!

- **Danos provocados pelo calor em aparelhos ou móveis adjacentes:** Se o aparelho for utilizado durante muito tempo, forma-se calor e humidade. É necessária uma ventilação adicional. Abra a janela ou ligue um exaustor para o exterior.
- **Danos no aparelho devido à acumulação de calor:** Não aqueça simultaneamente assadeiras, frigideiras ou pedras para grelhar com vários queimadores.
- **Anomalia:** Rode sempre o comando para a posição zero, se o aparelho não estiver em funcionamento.

## Proteção do meio ambiente

Aqui obtém dicas para poupar energia e indicações sobre a eliminação do aparelho.

### Poupar energia

- Selecione o queimador adequado ao tamanho da panela. Coloque o recipiente para cozinhar ao centro.
- Para pequenas porções, utilize um tacho pequeno. Um tacho grande pouco cheio necessita de muita energia.
- Tape sempre os tachos com uma tampa adequada. Cozinhar sem tampa consome significativamente mais energia. Utilize uma tampa de vidro para poder ver para o interior da panela, sem que tenha de levantar a tampa.
- Cozinhe com pouca água. Assim poupa energia. Os legumes mantêm as vitaminas e os minerais.
- Reduza atempadamente a potência de cozedura para um nível mais baixo. Assim, poupará energia.

### Eliminação ecológica

Elimine a embalagem de forma ecológica.

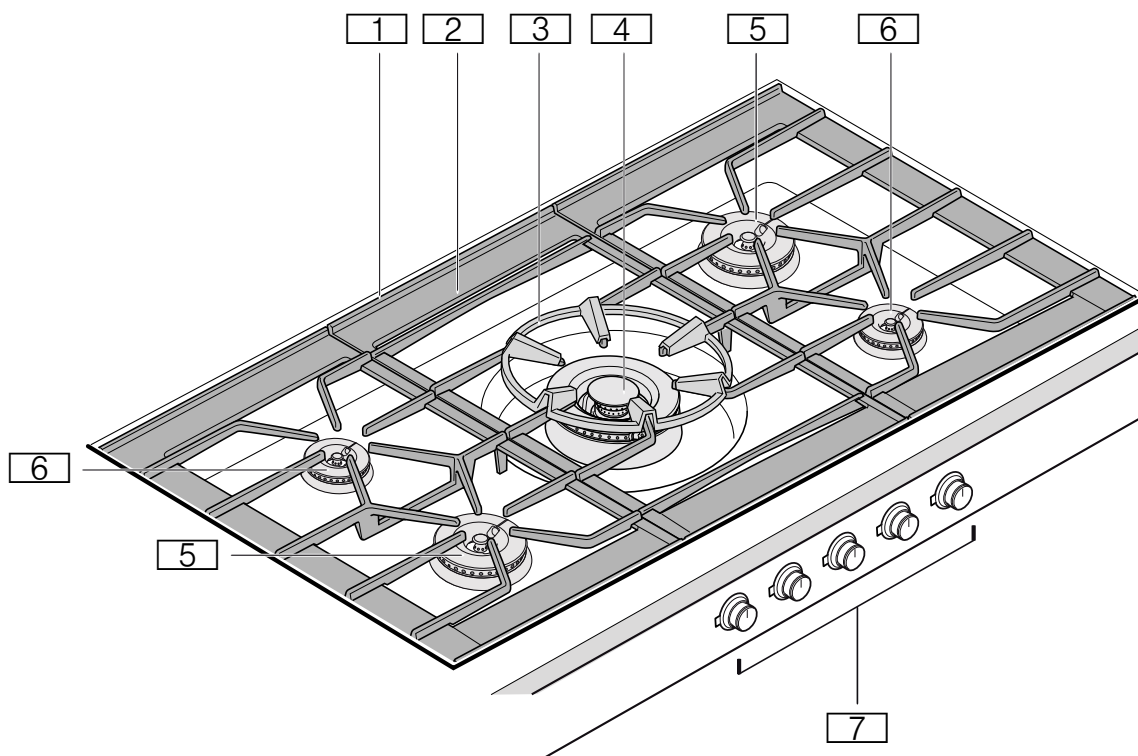


Este aparelho está marcado em conformidade com a Directiva 2012/19/UE relativa aos resíduos de equipamentos eléctricos e electrónicos (waste electrical and electronic equipment - WEEE).

A directiva estabelece o quadro para a criação de um sistema de recolha e valorização dos equipamentos usados válido em todos os Estados Membros da União Europeia.

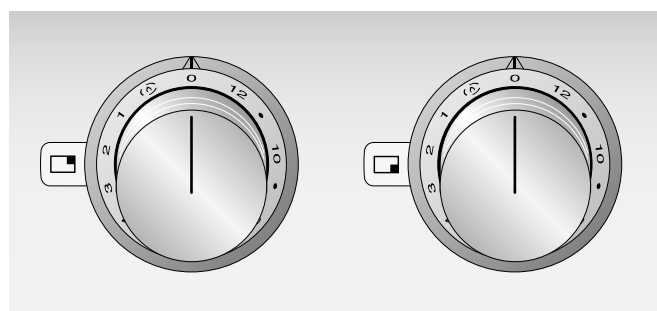
## Familiarização com o aparelho

### Placa de cozinhar a gás



- 1 Orifícios de ventilação (por baixo das grelhas)
- 2 Grelhas
- 3 Anel wok
- 4 Queimador para wok 6,0/5,8 kW
- 5 Queimador rápido 4,0 kW
- 6 Queimador normal 2,0 kW
- 7 Comandos

### Botão de comando



As marcações no comando indicam a atribuição ao respetivo queimador e a regulação da potência de cozedura de 1 a 12 ou o nível de cozedura lenta (☹).

<span style="border: 1px solid black; padding: 2px;">■</span>	Zona de cozinhar dianteira esquerda
<span style="border: 1px solid black; padding: 2px;">■</span>	Zona de cozinhar traseira esquerda
<span style="border: 1px solid black; padding: 2px;">■</span>	Zona de cozinhar central (wok)
<span style="border: 1px solid black; padding: 2px;">■</span>	Zona de cozinhar traseira direita
<span style="border: 1px solid black; padding: 2px;">■</span>	Zona de cozinhar dianteira direita

## Indicação no anel luminoso

Qualquer comando dispõe de um anel luminoso com diferentes possibilidades de indicação.

Indicação	Significado
○ Desligado	DESLIGAR aparelho
● Aceso a laranja	LIGAR aparelho
☀ Piscar a laranja	DESLIGAR aparelho Indicação de calor residual
☀ Piscar alternado a laranja e branco	Desativação de segurança, falha de energia
☀ Piscar alternado a amarelo e magenta	Falha do aparelho Contacte a Assistência Técnica!
● Aceso durante alguns segundos a verde e depois a amarelo	Aparelho inicia-se, apenas após primeira ligação ou falha de corrente

## Acessórios de instalação necessários

CA 429 410 Kit de aros composto por aro decorativo (soldável) e aro de fixação

## Acessórios especiais

Poderá encomendar os seguintes acessórios através do seu revendedor:

WP 400 001 Wok em material multicamadas. Com fundo abaulado e pega, Ø de 36 cm, 6 litros, 10 cm de altura.

Utilize os acessórios apenas de acordo com as instruções. O fabricante não se responsabiliza quando os acessórios são utilizados de forma incorrecta.

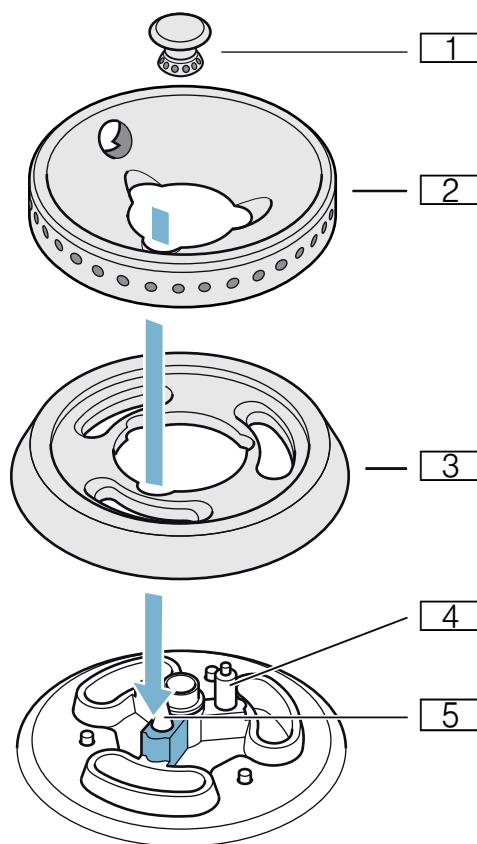
## Peças individuais do queimador

Coloque cada uma das peças individuais do queimador com exatidão e na horizontal, caso contrário podem ocorrer avarias durante a ignição ou durante o funcionamento.

Colocar a cabeça e o anel do queimador de forma que os entalhes de encaixe da parte inferior do queimador encaixem nos respetivos rebaixos. A orientação da cabeça e do anel do queimador é irrelevante.

**Conselho:** Se os componentes do queimador forem colocados de forma inclinada, o aparelho não funciona.

## Componentes individuais do queimador normal e do queimador rápido

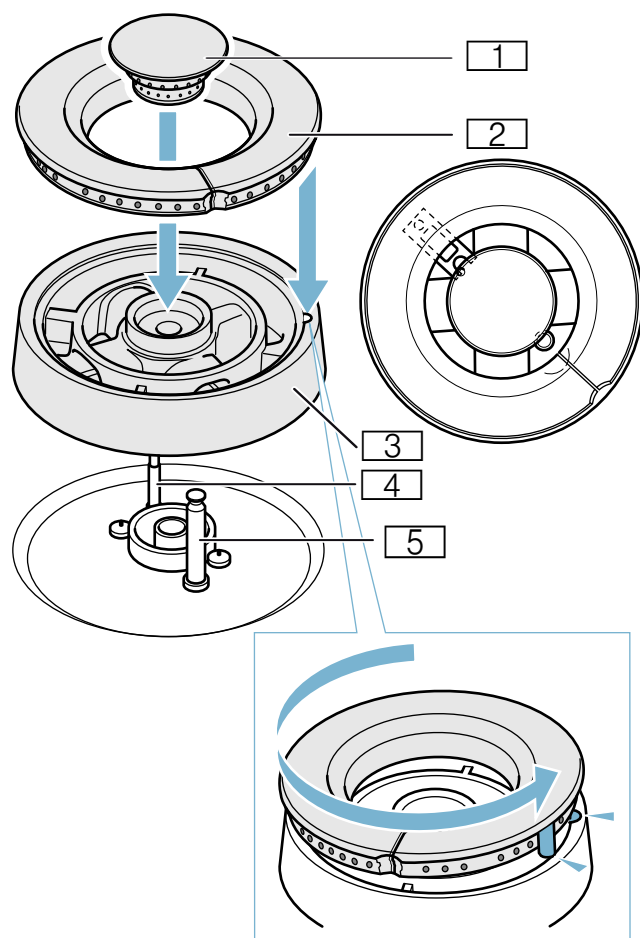


- 1 Tampa do queimador
- 2 Anel do queimador
- 3 Cabeça do queimador
- 4 Vela de ignição
- 5 Elemento térmico

## Peças individuais do queimador para wok

Coloque cada um das peças individuais do queimador para wok com exatidão e na horizontal, caso contrário podem ocorrer avarias durante a ignição ou durante o funcionamento. Coloque a cabeça do queimador de forma que o elemento térmico esteja posicionado no entalhe correspondente na cabeça do queimador. A patilha de encaixe no anel do queimador tem de encaixar no entalhe correspondente na cabeça do queimador.

**Conselho:** O aparelho não funciona se as peças do queimador estiverem inclinadas.



- 1 Tampa do queimador
- 2 Anel do queimador
- 3 Cabeça do queimador
- 4 Elemento térmico
- 5 Vela

## Utilizar o aparelho

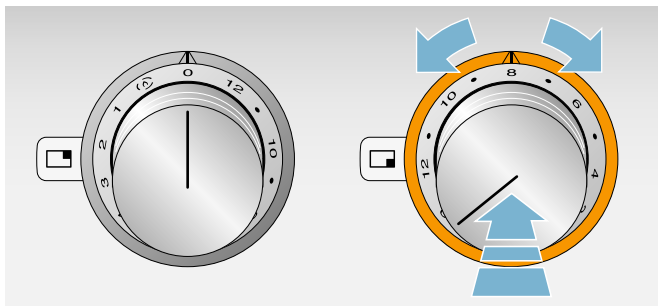
### Conselhos

- Utilize apenas os acessórios previstos. Não fure a cavidade em aço inoxidável (p. ex., com película de alumínio).
- Os queimadores e as fichas têm de estar limpos e secos.
- Só acenda as zonas de cozinhar quando a grelha e todas as peças do queimador estiverem corretamente colocadas.
- Ao acender um queimador ocorre uma faísca de ignição em todos os queimadores.
- Não toque na ficha enquanto o aparelho a gás estiver a acender.
- Garanta a máxima limpeza. Se as fichas estiverem sujas, pode ocorrer uma ignição incorreta. Limpe as fichas regularmente com uma escova pequena, não metálica. Preste atenção para que as fichas não sejam sujeitas a impactos fortes.
- Para cozinhar com uma frigideira wok, tem de colocar na grelha o anel wok por cima do queimador do wok. Preste atenção para que a frigideira wok esteja bem segura no anel wok.
- Ao comutar do nível 3 para o nível 4 ou superior, o queimador passa brevemente para a potência máxima. Isto destina-se a otimizar a passagem de combustão entre os circuitos de queimadores.
- Não cubra os orifícios de ventilação na parte de trás da placa de cozinhar a gás.
- Ao ligar a cavidade da placa de cozinhar a gás, o sistema eletrónico abre a admissão de gás, provocando um breve ruído. Isso é normal.
- Em caso de falha de energia, o aparelho fica inoperacional. A admissão de gás está fechada.

## Ligar

A sua placa de cozinhar a gás dispõe de ignição rápida automática.

- 1 Coloque um recipiente para cozinhar adequado sobre a grelha.
- 2 Pressione o comando do queimador selecionado e rode para a esquerda ou para a direita, para a potência de cozedura pretendida. O queimador acende-se automaticamente.



Pode regular a potência de cozedura, rodando o comando.

### **⚠ Aviso – Perigo de detonação!**

Se o queimador não se acender após 15 segundos, desligue os comandos e abra a porta ou a janela do compartimento. Aguarde, pelo menos, um minuto, antes de acender novamente o queimador.

## Nível de cozedura lenta

No nível de cozedura lenta, o queimador liga e desliga a chama de gás. Pode, p. ex., derreter chocolate ou aquecer molhos delicados.

Rode o comando para (∩). A duração da ativação ou desativação é de 10 - 50 segundos.

## Monitorização eletrónica da chama e re-ignição automática

Para sua segurança, a placa de cozinhar está equipada com uma monitorização eletrónica da chama. Se a chama se apagar durante a operação (p. ex., devido à ventilação), o aparelho volta a acender automaticamente o queimador.

Se a re-ignição não for suficiente (p. ex., sujidade do queimador devido a líquido derramado), o aparelho desliga a admissão de gás. O anel luminoso atrás do comando pisca.

Rode os comandos para 0. Aguarde até que o aparelho tenha arrefecido o suficiente e verifique se todas as peças do queimador estão corretamente colocadas. Verifique se o queimador ou a vela estão sujos. → "Anomalias, o que fazer?" na página 44

## Desligar

Rode o comando para a posição 0. O sistema eletrónico do aparelho fecha a admissão de gás.

## Indicador de calor residual

O anel luminoso atrás do botão de comando pisca após o desligamento, enquanto o aparelho estiver demasiado quente para se lhe poder tocar sem perigo.

## Bloqueio de segurança

Para sua proteção, o aparelho está equipado com uma desativação de segurança. O aparelho desliga automaticamente, caso tenha estado em funcionamento durante muito tempo. A duração até à desativação depende da regulação (nível 12 = 1 hora, nível 1 = 4 horas). O anel luminoso atrás do comando pisca alternadamente a laranja e branco.

Rode o comando para 0 e, em seguida, poderá voltar a colocar o aparelho em funcionamento como habitualmente.



## Tabela de regulações e conselhos

Potência de cozedura	Processo de cozedura	Exemplos
12	Aquecer Branqueamento	Água, sopas claras Legumes
10 - 12	Alourar Assar a altas temperaturas	Carne, pratos confecionados com Wok/frigideira Carne, batatas
7 - 10	Continuar a cozinhar com a tampa aberta	Líquidos, massas alimentícias
6 - 8	Cozer Assar a temperaturas médias	Pratos à base de farinha Aves, peixe
4 - 6	Assar a baixas temperaturas Aquecer Fritar Escalfar com a tampa aberta	Salsichas, cebolas, pratos de ovos Legumes, sopas, guisados Batatas fritas, biscoitos Bolinhos, salsichas
3 - 4	Descongelamento Estufar Estufar	Congelados Rolinhos de carne, assados Legumes
2 - 4	Continuar a cozinhar com a tampa fechada	Sopas, legumes
Nível de cozedura lenta até 3	Inchar	Arroz, arroz doce, cereais
Nível de cozedura lenta	Derreter, manter quente	Chocolate, manteiga

## Recomendação relativa ao queimador

Para o processo de cozedura a baixas temperaturas e um tempo de preparação longo (por ex. descongelar, inchar, cozer) selecione o queimador normal ou o queimador rápido (não o queimador Wok).

Para o processo de cozedura a altas temperaturas e um tempo de preparação curto (por ex. aquecer, fritar) recomendamos o queimador Wok ou o queimador rápido.

## Dicas para cozer e fritar

Os valores da tabela de ajuste servem apenas como valor de orientação, uma vez que, dependendo do tipo e estado dos alimentos, bem como do nível de enchimento da panela, é necessária mais ou menos energia.

A elevada potência aquece a gordura e o óleo muito rapidamente. Não deixe os alimentos a fritar sem supervisão; a gordura pode inflamar-se e o alimento queima-se.

## Dicas sobre o wok

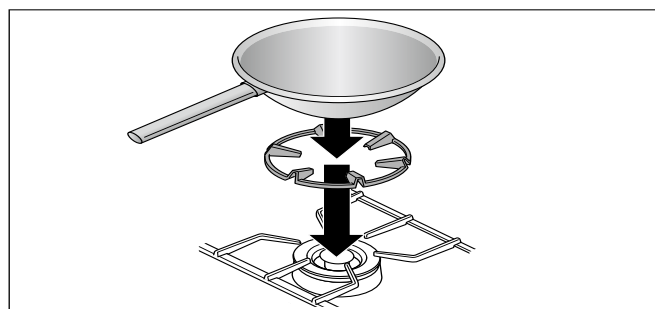
**Conselho:** Para cozinhar com uma frigideira wok, tem de colocar na grelha o anel wok por cima do queimador do wok. Preste atenção para que a frigideira wok esteja bem segura no anel wok.

Recomendamos frigideiras wok com fundo côncavo. Pode encomendar uma frigideira wok de alta qualidade como acessório especial (número de encomenda 400 001).

Para cozinhar com a frigideira wok, utilize apenas óleo para cozinhar com alta capacidade de desempenho, p. ex., óleo de amendoim.

Cozinhe os ingredientes com chama forte, mexendo continuamente e durante pouco tempo. Os legumes devem ficar estaladiços.

Para mexer e retirar os alimentos, utilize preferencialmente uma concha plana com haste comprida, fabricada a partir de um material resistente ao calor.



## Indicações sobre o recipiente para cozinhar

As indicações que se seguem ajudam-nos a economizar energia e a evitar danos nos recipientes usados para cozinhar.

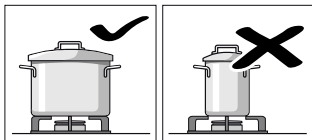
### Tachos/panelas adequados

Queimadores	Diâmetro recomendado do fundo da panela	Diâmetro mínimo do fundo da panela
Queimador normal	200 - 240 mm	90 mm
Queimador forte	240 - 280 mm	90 mm
Queimador para wok	240 - 320 mm	160 mm

Utilize a frigideira wok apenas com o anel wok.

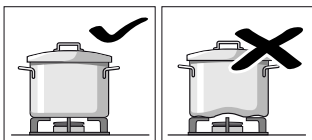
**Não utilize panelas com diâmetro inferior a 90 mm nem superior a 280 mm (320 mm para o queimador do wok).** Se utilizar panelas maiores, estas não podem exceder a largura do aparelho.

### Instruções de utilização



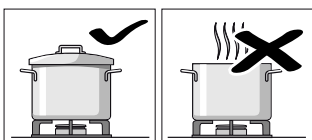
Utilize tachos/panelas de tamanho adequado para o respectivo queimador.

Não utilize tachos/panelas mais pequenos nos queimadores grandes. A chama não deverá tocar nas partes laterais dos tachos/panelas.

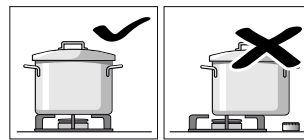


Não use tachos/panelas que não tenham um apoio estável sobre a placa de fogão, pois estes poderão tombar.

Utilize apenas tachos/panelas com uma base plana e espessa.

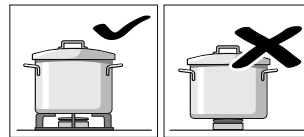


Não cozinhe com panelas destapadas ou com o testo parcialmente colocado. Grande parte da energia é desperdiçada.



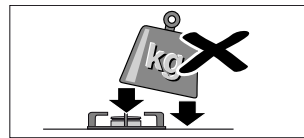
Coloque o tacho/panela centrado sobre o queimador, caso contrário pode tombar.

Não coloque panelas grandes sobre os queimadores próximos das guarnições. Estes podem sobreaquecer e, conseqüentemente, sofrer danos.



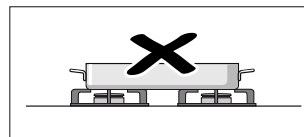
Coloque os tachos sobre os apoios, nunca directamente sobre os queimadores.

Antes da utilização, certifique-se de que os apoios e as tampas dos queimadores estão bem assentes.



Manuseie os recipientes que se encontram sobre a placa de fogão com muito cuidado.

Não bata na placa de fogão nem coloque objectos pesados sobre a mesma.



Nunca aqueça um recipiente (como por ex. uma assadeira, frigideira, pedra de grill) com vários queimadores. A acumulação de calor daí resultante danifica o aparelho.

## Limpeza e manutenção

### ⚠ Aviso – Perigo de choque eléctrico!

A humidade que se infiltra no aparelho pode dar origem a um choque eléctrico. Não utilize aparelhos de limpeza a alta pressão ou de limpeza a vapor.

### ⚠ Aviso – Perigo de queimaduras!

As peças que se encontram acessíveis ficam quentes durante o funcionamento do aparelho. Nunca toque nas peças quentes. Manter fora do alcance das crianças.

### Atenção!

#### Danos na superfície

Não usar estes produtos de limpeza

- Produtos abrasivos ou agressivos
- Limpador de fornos
- Produtos corrosivos, agressivos ou com cloro
- Produtos com elevado teor alcoólico
- Esponjas duras e abrasivas, escovas ou esfregões

Se um destes produtos entrar em contacto com o aparelho, limpe-o imediatamente com água.

Os panos de cozinha novos devem ser sempre muito bem enxaguados antes de serem utilizados!

## Limpeza do aparelho

Limpe o aparelho depois de o usar, quanto tiver arrefecido. Remova sempre de imediato líquidos derramados, não deixando que os restos de alimentos queimem.

Mantenha limpos os orifícios de ventilação por baixo do suporte para painéis. Os orifícios de ventilação não podem ser tapados.

Seque bem os queimadores após a limpeza. Apenas coloque o aparelho em funcionamento quando os queimadores estiverem secos. Queimadores húmidos causam problemas na ignição ou instabilidade na chama.

Durante a montagem, respeite o posicionamento correto das peças do queimador (linguetas de bloqueio). Todas as peças têm de estar em linha reta.

Parte do aparelho/Superfície	Limpeza recomendada
Superfícies de aço inoxidável	Solução à base de detergente – seque com um pano macio. Use pouca água na limpeza, pois não pode entrar água no aparelho.  Deixe os pontos incrustados a atuar com alguma água e detergente, sem esfregar.  Remova a sujidade mais forte ou o amarelecimento causado pelo calor com o nosso produto de limpeza para aço inoxidável (n.º encomenda 00311499).
Grelhas, anel wok	Remova com cuidado para efeitos de limpeza. Mantenha em água na banca. Limpe com escova e detergente.  Limpe com cuidado a área em borracha, para que esta não se solte.  Lave com água limpa e seque antes da colocação.  <b>Não a lave na máquina de lavar loiça!</b>
Peças do queimador	Solução à base de detergente – seque com um pano macio. Certifique-se de que os orifícios não estão entupidos.  Preste atenção para não perder as peças pequenas.  <b>Não a lave na máquina de lavar loiça!</b>
Comandos	Solução à base de detergente – o pano não pode estar demasiado molhado. Seque com um pano macio.

## Sujidade incrustada

Para remover a sujidade difícil e incrustada, é possível encomendar na nossa loja online, em lojas especializadas ou através do nosso serviço de apoio ao cliente um gel de limpeza (número de encomenda 00311859). Este é adequado para grelhas e tabuleiros de aço inoxidável. Se necessário, deixe atuar durante a noite. Respeite as instruções do produto de limpeza.

### Atenção!

#### Danos na superfície

Não utilize o gel para limpeza nas peças do queimador.

## Descoloração dos queimadores

Com a utilização continuada, as peças dos queimadores em latão escurecem devido a um processo natural de oxidação. Esta alteração da cor não afeta a respetiva utilização.

## Anomalias, o que fazer?

Muitas vezes, é fácil reparar as falhas sem a ajuda de terceiros. Observe as seguintes indicações antes de contactar o Serviço de Apoio ao Cliente.

### Aviso – Perigo de choque eléctrico!

As reparações indevidas são perigosas. As reparações só podem ser efectuadas por técnicos especializados do serviço de assistência técnica. Se o aparelho estiver avariado, puxe a ficha da tomada ou desligue o disjuntor no quadro eléctrico. Contacte o serviço de assistência técnica.

Falha	Possível causa	Solução
O queimador não acende ao ligar.	Sem alimentação eléctrica.	Rode todos os comandos para 0. Verifique na caixa de fusíveis se o fusível foi acionado.
O queimador não acende ao ligar. O anel luminoso atrás do comando pisca alternadamente a laranja e branco.	Avaria no queimador ou na alimentação de gás.	Rode todos os comandos para 0. <b>Verificar:</b> <ul style="list-style-type: none"> <li>● As peças do queimador estão corretamente colocadas?</li> <li>● Torneira de fecho do gás aberta?</li> <li>● Queimador seco e limpo?</li> <li>● Ar no tubo após a primeira ligação ou a substituição da botija (no caso de gás líquido)?</li> <li>● Botija de gás vazia (no caso de gás líquido)?</li> </ul>
O queimador não acende ao ligar. Todos os anéis luminosos atrás dos comandos acendem depois da ligação durante 10 segundos a branco. Em seguida, o anel luminoso dos comandos ativos acende-se a laranja.	O modo de demonstração está ativado.	Desative o modo de demonstração.
O queimador não acende ao ligar. O anel luminoso atrás dos comandos pisca alternadamente a amarelo e magenta.	Falha eletrónica	Rode todos os comandos para 0 e desligue o aparelho da rede durante um minuto (desligar o fusível ou desligar a ficha). Volte a ligar o aparelho. Os anéis luminosos dos comandos acendem durante alguns segundos a verde e depois a amarelo. Aguarde até os anéis luminosos se apagarem. Em seguida, rode um dos comandos para uma potência de cozedura desejada e regresse a 0 Ligue o queimador. Caso o anel luminoso pisca novamente alternado entre amarelo e magenta, contacte a assistência técnica.
O queimador desliga-se durante o funcionamento. O anel luminoso atrás do comando pisca alternadamente a laranja e branco.	Desativação de segurança: Não foi efetuada qualquer operação durante muito tempo.	Rode todos os comandos para 0 e, em seguida, volte eventualmente a ligar.
O queimador desliga-se durante o funcionamento. O anel luminoso atrás do comando pisca alternadamente a laranja e branco.	Falha de corrente na rede doméstica: Após uma falha de corrente, o aparelho permanece desligado por motivos de segurança.	Rode todos os comandos para 0 e, em seguida, volte eventualmente a ligar.
Na cozinha sente-se o cheiro a gás.	Possíveis fugas na ligação à garrafa de gás.	Verifique a estanqueidade da ligação da garrafa de gás. Abra as janelas e areje bem o espaço.
Os cantos do aparelho curvam ligeiramente para cima durante o funcionamento.	Devido ao calor, o metal da placa expande-se.	Isso é normal. No estado arrefecido, não é visível qualquer curvatura.

## Conselhos

- Após cada ligação à rede ou depois de uma falha de energia, forma-se um ruído, uma vez que as válvulas de gás são inicializadas. Os anéis luminosos dos comandos acendem durante alguns segundos a verde e depois a amarelo. Aguarde até os anéis luminosos se apagarem.
- Ao ligar a placa a gás, o sistema eletrónico abre a admissão de gás, provocando um breve ruído. Também ao alterar a regulação da potência surge um ruído. Isso é normal.

## Modo de demonstração

O modo de demonstração está ativado, caso todos os anéis luminosos dos comandos se acenderem a branco após a ligação durante 10 segundos. O queimador não se acende. O anel luminoso dos comandos ativos acende-se a laranja.

**Pode desativar o modo de demonstração da seguinte forma:**

- 1 Rode todos os comandos para 0. Desligue o aparelho da fonte de alimentação. Aguarde, pelo menos, 30 segundos.
- 2 Volte a ligar o aparelho. Os anéis luminosos dos comandos acendem durante alguns segundos a verde e depois a amarelo. Aguarde até os anéis luminosos se apagarem.
- 3 Em seguida, desative o modo de demonstração num espaço de 3 minutos, do seguinte modo: Rode um dos comandos para a esquerda, para a posição 12.
- 4 Rode os comandos para a direita, para a posição 1.
- 5 Rode os comandos do lado esquerdo para a posição 0. Aguarde até o anel luminoso acender a amarelo.
- 6 Rode os comandos para a direita, para a posição 1. O anel luminoso acende a verde. Aguarde 5 segundos. O anel luminoso muda para amarelo.

O modo de demonstração foi desativado. **Para guardar a regulação, saia do menu impreterivelmente do seguinte modo:**

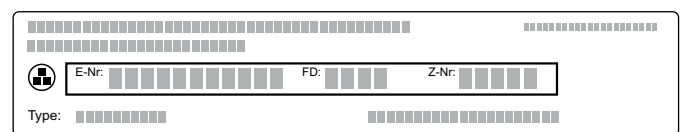
- 7 Rode o comando para 0. Em seguida, rode os comandos para a esquerda, para a posição 12. Rode os comandos para a direita, para a posição 1. Rode os comandos para a esquerda, para a posição 0. Aguarde até o anel luminoso se apagar.

## Assistência Técnica

Se o seu aparelho precisar de ser reparado, tem à sua disposição o nosso Serviço de Assistência Técnica. Encontramos sempre uma solução adequada, para evitar deslocações dispensáveis de técnicos da assistência técnica.

## Número E e número FD

Quando efetuar a chamada, indique o número completo de produto (N.º E) e o número de fabrico (N.º FD) do aparelho para podermos prestar um serviço de qualidade. A placa de características onde constam estas referências encontra-se na parte de baixo do aparelho.



Para que, em caso de necessidade, não perca tempo a procurar, poderá inserir aqui os dados do seu aparelho e o número de telefone da assistência técnica.

N.º E

N.º FD

Assistência Técnica ☎

Tenha em atenção que a deslocação do técnico da assistência não é gratuita em caso de utilização incorreta do aparelho, mesmo durante o período de garantia.

Os dados para contacto com todos os países encontram-se no índice dos Serviços Técnicos anexo.

**Ordem de reparação e apoio em caso de anomalias**

PT 21 4250 790

Confie na competência do fabricante. Terá assim a garantia que a reparação é efectuada por técnicos especializados do Serviço de Assistência Técnica, equipados com peças de substituição originais para o seu electrodoméstico.

## Πίνακας περιεχομένων

<b>Χρήση σύμφωνα με το σκοπό προορισμού</b>	<b>47</b>
<b>Σημαντικές υποδείξεις ασφαλείας</b>	<b>48</b>
<b>Αιτίες των ζημιών</b>	<b>50</b>
<b>Προστασία περιβάλλοντος</b>	<b>51</b>
Εξοικονόμηση ενέργειας	51
Απόσυρση σύμφωνα με τους κανόνες προστασίας του περιβάλλοντος	51
<b>Γνωρίστε τη συσκευή</b>	<b>52</b>
Βάση εστιών αερίου	52
Κουμπιά χειρισμού	52
Ένδειξη στο φωτεινό δακτύλιο	53
Απαραίτητα εξαρτήματα εγκατάστασης	53
Ειδικός εξοπλισμός	53
Ξεχωριστά εξαρτήματα των καυστήρων	53
Ξεχωριστά εξαρτήματα του καυστήρα Wok	54
<b>Χειρισμός της συσκευής</b>	<b>54</b>
Ενεργοποίηση	55
Βαθμίδα σιγανού μαγειρέματος	55
Ηλεκτρονική επιτήρηση φλόγας και αυτόματη επανάφλεξη	55
Απενεργοποίηση	55
Ένδειξη υπόλοιπης θερμότητας	55
Διάταξη απενεργοποίησης ασφαλείας	55
<b>Πίνακας ρύθμισης και συμβουλές</b>	<b>56</b>
Σύσταση καυστήρα	56
Συμβουλές για το μαγείρεμα και το ψήσιμο	56
Συμβουλές για το Wok	56
<b>Υποδείξεις για τα μαγειρικά σκεύη</b>	<b>57</b>
Κατάλληλα μαγειρικά σκεύη	57
Υποδείξεις χρήσης	57
<b>Καθαρισμός και συντήρηση</b>	<b>58</b>
Καθαρισμός της συσκευής	58
Καμένη ρύπανση	58
Αλλαγή χρώματος των καυστήρων	58
<b>Βλάβες, τι μπορεί να γίνει;</b>	<b>59</b>
Λειτουργία παρουσίασης	60
<b>Υπηρεσία εξυπηρέτησης πελατών</b>	<b>61</b>
Αριθμός Ε και αριθμός FD	61

Περαιτέρω πληροφορίες για τα προϊόντα, τα εξαρτήματα, τα ανταλλακτικά και το σέρβις θα βρείτε στο διαδίκτυο (Internet): [www.gaggenau.com](http://www.gaggenau.com) και στο online-shop: [www.gaggenau.com/zz/store](http://www.gaggenau.com/zz/store)

## Χρήση σύμφωνα με το σκοπό προορισμού

Διαβάστε προσεκτικά αυτές τις οδηγίες. Μόνο τότε μπορείτε να χειριστείτε τη συσκευή σίγουρα και σωστά. Φυλάξτε τις οδηγίες χρήσης και συναρμολόγησης για μια αργότερη χρήση ή για τον επόμενο ιδιοκτήτη.

Αυτή η συσκευή προορίζεται μόνο για την τοποθέτηση. Προσέξτε τις ειδικές οδηγίες συναρμολόγησης.

Η παρούσα συσκευή πρέπει να εγκατασταθεί σύμφωνα με τις οδηγίες εγκατάστασης που περιλαμβάνονται.

Μετά την αφαίρεση από τη συσκευασία, ελέγξτε τη συσκευή. Σε περίπτωση ζημιάς κατά τη μεταφορά μην την συνδέσετε.

Μόνο ένας αδειούχος εγκαταστάτης επιτρέπεται να συνδέσει τη συσκευή. Σε περίπτωση ζημιών που οφείλονται σε λάθος σύνδεση, δεν έχετε κανένα δικαίωμα εγγύησης. Για τη μετατροπή σε ένα άλλο είδος αερίου καλέστε την υπηρεσία τεχνικής εξυπηρέτησης πελατών.

Αυτή η συσκευή προορίζεται μόνο για την οικιακή χρήση και το οικιακό περιβάλλον. Χρησιμοποιείτε τη συσκευή μόνο για την παρασκευή φαγητών και ποτών, ποτέ ως συσκευή θέρμανσης. Κατά τη διάρκεια της λειτουργίας επιτηρείτε τη συσκευή. Χρησιμοποιείτε τη συσκευή μόνο σε έναν εσωτερικό χώρο.

Μην τοποθετείτε αυτή τη συσκευή σε σκάφη ή σε οχήματα.

Αυτή η συσκευή προορίζεται για χρήση μέχρι ένα μέγιστο ύψος 2.000 μέτρων πάνω από την επιφάνεια της θάλασσας.

Αυτή η συσκευή δεν προορίζεται για τη λειτουργία με έναν εξωτερικό χρονοδιακόπτη ή ένα τηλεχειριστήριο.

Μη χρησιμοποιείτε κανένα κάλυμμα βάσης εστιών. Αυτά μπορεί να οδηγήσουν σε ατυχήματα, π.χ. από υπερθέρμανση, ανάφλεξη ή θραύση υλικών.

Χρησιμοποιείτε μόνο τις εγκεκριμένες από εμάς διατάξεις προστασίας ή τα εγκεκριμένα προστατευτικά πλέγματα παιδιών. Οι ακατάλληλες διατάξεις προστασίας ή τα ακατάλληλα προστατευτικά πλέγματα παιδιών μπορεί να οδηγήσουν σε ατυχήματα.

Αυτή η συσκευή επιτρέπεται να χρησιμοποιηθεί από παιδιά άνω των 8 ετών και από άτομα με μειωμένες φυσικές, αισθητήριες ή πνευματικές ικανότητες ή με ανεπαρκή εμπειρία ή γνώση, όταν επιτηρούνται ή εάν έχουν λάβει σχετικές οδηγίες για την ασφαλή χρήση της συσκευής από ένα άτομο που είναι υπεύθυνο για την ασφάλειά τους και έχουν κατανοήσει τους κινδύνους που μπορούν να προκύψουν.

Τα παιδιά δεν επιτρέπεται να παίζουν με τη συσκευή. Ο καθαρισμός και η συντήρηση από το χρήστη δεν επιτρέπεται να πραγματοποιηθούν από παιδιά, εκτός εάν είναι 15 ετών και άνω και επιτηρούνται.

Κρατάτε τα παιδιά που είναι κάτω των 8 ετών μακριά από τη συσκευή και το καλώδιο σύνδεσης.

Κλείστε τη βαλβίδα ασφαλείας στον αγωγό παροχής αερίου, όταν η συσκευή δε βρίσκεται σε λειτουργία για περισσότερο χρόνο.

## **⚠ Σημαντικές υποδείξεις ασφαλείας**

### **⚠ Προειδοποίηση – ΣΥΜΠΕΡΙΦΟΡΑ ΣΕ ΠΕΡΙΠΤΩΣΗ ΟΣΜΗΣ ΑΕΡΙΟΥ!**

Το αέριο που διαρρέει μπορεί να οδηγήσει σε έκρηξη.

#### **Εάν αντιληφθείτε οσμή αερίου ή βλάβες στην εγκατάσταση αερίου:**

- Κλείστε αμέσως την παροχή αερίου ή τη βαλβίδα της μπουκάλας αερίου.
- Σβήστε αμέσως οποιαδήποτε ανοιχτή φωτιά και τα τσιγάρα.
- Μην πατήσετε άλλο το διακόπτη φωτός και το διακόπτη συσκευής, μην αφαιρέσετε κανέναν ρευματολήπτη (φίς) από την πρίζα. Μην χρησιμοποιήσετε κανένα σταθερό ή κινητό τηλέφωνο στο σπίτι.
- Ανοίξτε τα παράθυρα και εξαερίστε καλά το δωμάτιο.
- Καλέστε την υπηρεσία τεχνικής εξυπηρέτησης πελατών ή την επιχείρηση παροχής αερίου.

### **⚠ Προειδοποίηση – Κίνδυνος ασφυξίας!**

Η χρήση μιας συσκευής μαγειρέματος αερίου οδηγεί στη δημιουργία θερμότητας, υγρασίας και προϊόντων καύσης στο χώρο τοποθέτησης. Προσέχετε για τον καλό αερισμό του χώρου τοποθέτησης. Τα φυσικά ανοίγματα αερισμού πρέπει να διατηρούνται ανοιχτά ή πρέπει να προβλέπεται μια μηχανική διάταξη αερισμού (π.χ. ένας απορροφητήρας). Μια εντατική και μακρόχρονη χρήση της συσκευής μπορεί να καταστήσει αναγκαίο έναν πρόσθετο αερισμό, π.χ. άνοιγμα ενός παραθύρου, ή έναν αποτελεσματικότερο αερισμό, π.χ. λειτουργία της υπάρχουσας μηχανικής διάταξης αερισμού σε υψηλότερη βαθμίδα ισχύος.

### **⚠ Προειδοποίηση – Κίνδυνος πυρκαγιάς!**

- Το καυτό λάδι και λίπος παίρνουν γρήγορα φωτιά. Μην αφήνετε ποτέ χωρίς επιτήρηση το καυτό λάδι και λίπος. Μην σβήνετε ποτέ τη φωτιά με νερό. Απενεργοποιήστε την εστία μαγειρέματος. Σβήνετε τις φλόγες προσεκτικά με ένα καπάκι, μια κουβέρτα πυρόσβεσης ή κάτι παρόμοιο.
- Οι εστίες μαγειρέματος ζεσταίνονται πάρα πολύ. Μην ακουμπάτε ποτέ εύφλεκτα αντικείμενα πάνω στη βάση εστιών. Μην τοποθετείτε αντικείμενα πάνω στη βάση εστιών.
- Η συσκευή ζεσταίνεται πολύ, τα εύφλεκτα υλικά μπορούν να αναφλεγούν. Μην αποθηκεύετε ή μη χρησιμοποιείτε ποτέ εύφλεκτα αντικείμενα (π.χ. κουτιά σπρέι, υγρά καθαρισμού) κάτω από τη συσκευή ή πολύ κοντά της. Μην τοποθετείτε ποτέ εύφλεκτα αντικείμενα πάνω ή μέσα στη συσκευή.
- Οι εστίες μαγειρέματος αερίου, χωρίς τοποθετημένα πάνω μαγειρικά σκεύη, δημιουργούν κατά τη λειτουργία μεγάλη θερμότητα. Η συσκευή και ένας από πάνω τοποθετημένος απορροφητήρας μπορούν να υποστούν ζημιά ή να πιάσουν φωτιά. Τα υπολείμματα λίπους στο φίλτρο του απορροφητήρα μπορούν να αναφλεγούν. Λειτουργείτε τις εστίες μαγειρέματος αερίου μόνο με τοποθετημένα πάνω μαγειρικά σκεύη.
- Εάν ο καυστήρας δεν ανάψει μετά από 15 δευτερόλεπτα, κλείστε το κουμπί χειρισμού και ανοίξτε την πόρτα ή το παράθυρο του δωματίου. Περιμένετε το λιγότερο ένα λεπτό, προτού ανάψετε ξανά τον καυστήρα.



### **⚠ Προειδοποίηση – Κίνδυνος εγκαύματος!**

- Η συσκευή θερμαίνεται πολύ κατά τη διάρκεια της λειτουργίας. Πριν τον καθαρισμό αφήστε τη συσκευή να κρυώσει.
- Οι εστίες μαγειρέματος και το περιβάλλον τους, ιδιαίτερα ένα πλαίσιο του πεδίου μαγειρέματος που ενδεχομένως υπάρχει, ζεσταίνονται πάρα πολύ. Μην ακουμπήσετε ποτέ τις καυτές επιφάνειες. Κρατάτε τα παιδιά μακριά.
- Τα προσιτά μέρη/εξαρτήματα ζεσταίνονται πολύ κατά τη λειτουργία. Μην ακουμπάτε ποτέ τα καυτά μέρη/εξαρτήματα. Κρατάτε τα παιδιά μακριά.
- Σε περίπτωση κλειστού καλύμματος της συσκευής δημιουργείται συσσώρευση θερμότητας. Κλείνετε το κάλυμμα της συσκευής, αφού πρώτα κρυώσει η συσκευή. Μην ενεργοποιείτε ποτέ τη συσκευή με κλειστό κάλυμμα. Μην χρησιμοποιείτε το κάλυμμα της συσκευής για τη διατήρηση του φαγητού ζεστού ή την εναπόθεση φαγητού.
- Τα άδεια μαγειρικά σκεύη στις αναμμένες εστίες μαγειρέματος αερίου θερμαίνονται πάρα πολύ. Μην θερμαίνετε ποτέ άδεια μαγειρικά σκεύη.
- Εάν η μπουκάλα υγραερίου δεν στέκεται κάθετα, μπορεί να εισχωρήσει υγρό προπάνιο/βουτάνιο στη συσκευή. Σε αυτή την περίπτωση μπορούν να προκύψουν μεγάλες φλόγες στους καυστήρες. Τα εξαρτήματα μπορούν να υποστούν ζημιά και με την πάροδο του χρόνου να εμφανιστεί μια διαρροή, έτσι ώστε να εξέρχεται αέριο μη ελεγχόμενα. Και οι δύο περιπτώσεις μπορεί να οδηγήσουν σε τραυματισμούς. Χρησιμοποιείτε τις μπουκάλες υγραερίου πάντοτε σε κάθετη θέση.

### **⚠ Προειδοποίηση – Κίνδυνος τραυματισμού!**

- Οι ακατάλληλες επισκευές είναι επικίνδυνες. Μόνο ένας τεχνικός του τμήματος εξυπηρέτησης πελατών, εκπαιδευμένος από εμάς, επιτρέπεται να εκτελέσει τις επισκευές και να αντικαταστήσει τα χαλασμένα ηλεκτρικά καλώδια και τους σωλήνες παροχής αερίου. Εάν η συσκευή έχει βλάβη, τραβήξτε το ρευματολήπτη (φίς) από την πρίζα ή κατεβάστε/ξεβιδώστε την αντίστοιχη ασφάλεια στο κιβώτιο των ασφαλειών, κλείστε την παροχή αερίου. Καλέστε την υπηρεσία τεχνικής εξυπηρέτησης πελατών.
- Οι βλάβες ή οι ζημιές στη συσκευή είναι επικίνδυνες. Μην ενεργοποιείτε ποτέ μια χαλασμένη συσκευή. Τραβήξτε το ρευματολήπτη (φίς) από την πρίζα ή κατεβάστε/ξεβιδώστε την ασφάλεια στο κιβώτιο των ασφαλειών. Κλείστε την παροχή αερίου. Καλέστε την υπηρεσία τεχνικής εξυπηρέτησης πελατών.
- Το ακατάλληλο μέγεθος των κατσαρολών, χαλασμένες ή λάθος τοποθετημένες κατσαρόλες μπορούν να προκαλέσουν σοβαρούς τραυματισμούς. Προσέξτε τις υποδείξεις για τα μαγειρικά σκεύη.

### **⚠ Προειδοποίηση – Κίνδυνος ηλεκτροπληξίας!**

- Οι ακατάλληλες επισκευές είναι επικίνδυνες. Οι επισκευές επιτρέπεται να γίνονται μόνο από έναν τεχνικό του τμήματος εξυπηρέτησης πελατών, εκπαιδευμένο από εμάς. Εάν η συσκευή έχει βλάβη, τραβήξτε το ρευματολήπτη (φίς) από την πρίζα ή κατεβάστε/ξεβιδώστε την ασφάλεια στο κιβώτιο των ασφαλειών. Καλέστε την υπηρεσία τεχνικής εξυπηρέτησης πελατών.

- Στα καυτά μέρη της συσκευής μπορεί να λιώσει η μόνωση των καλωδίων των ηλεκτρικών συσκευών. Τα καλώδια σύνδεσης των ηλεκτρικών συσκευών δεν επιτρέπεται να έρθουν ποτέ σε επαφή με τα καυτά μέρη της συσκευής.
- Μια εισχώρηση υγρασίας μπορεί να προκαλέσει μια ηλεκτροπληξία. Μη χρησιμοποιείτε συσκευές καθαρισμού υψηλής πίεσης ή συσκευές εκτόξευσης ατμού.
- Μια ελαττωματική συσκευή μπορεί να προκαλέσει μια ηλεκτροπληξία. Μη ενεργοποιείτε ποτέ μια χαλασμένη συσκευή. Τραβήξτε το ρευματολήπτη (φίς) από την πρίζα ή κατεβάστε/ξεβιδώστε την ασφάλεια στο κιβώτιο των ασφαλειών. Καλέστε την υπηρεσία τεχνικής εξυπηρέτησης πελατών.

---

## Αιτίες των ζημιών

---

- Προσοχή!** –**Ζημιές λόγω θερμότητας στις γειτονικές συσκευές ή ντουλάπια:** Εάν λειτουργεί η συσκευή για μεγαλύτερο χρονικό διάστημα, δημιουργείται θερμότητα και υγρασία. Ένας πρόσθετος αερισμός είναι απαραίτητος. Ανοίξτε ένα παράθυρο ή ενεργοποιήστε έναν απορροφητήρα με απαγωγή προς τα έξω.
- **Ζημιές στη συσκευή από τη συσσώρευση της θερμότητας:** Μη ζεστάνετε ψηλές φόρμες, τηγάνια ή πλάκες ψησίματος ταυτόχρονα με περισσότερους καυστήρες.
  - **Λειτουργική βλάβη:** Γυρνάτε το κουμπί χειρισμού πάντοτε στη θέση μηδέν, όταν η συσκευή δε βρίσκεται σε λειτουργία.

---

## Προστασία περιβάλλοντος

---

Εδώ θα βρείτε συμβουλές για την εξοικονόμηση ενέργειας και υποδείξεις για την απόσυρση των συσκευών.

### Εξοικονόμηση ενέργειας

- Επιλέγετε τον καυστήρα ανάλογα με το μέγεθος της κατσαρόλας. Τοποθετείτε το μαγειρικό σκεύος στη μέση.
- Χρησιμοποιείτε για μικρές ποσότητες μια μικρή κατσαρόλα. Μια μεγάλη, μόνο λίγο γεμάτη κατσαρόλα χρειάζεται πολύ ενέργεια.
- Κλείνετε τις κατσαρόλες πάντοτε μ' ένα κατάλληλο καπάκι. Το μαγείρεμα χωρίς καπάκι καταναλώνει πολύ περισσότερη ενέργεια. Χρησιμοποιήστε ένα γυάλινο καπάκι, για να μπορείτε να ρίχνετε μια ματιά στην κατσαρόλα, χωρίς να χρειαστεί να σηκώσετε το καπάκι.
- Μαγειρεύετε με λίγο νερό. Αυτό εξοικονομεί ενέργεια. Στα λαχανικά διατηρούνται οι βιταμίνες και οι ανόργανες ουσίες.
- Ρυθμίστε έγκαιρα μια χαμηλότερη βαθμίδα μαγειρέματος. Έτσι εξοικονομείτε ενέργεια.

### Απόσυρση σύμφωνα με τους κανόνες προστασίας του περιβάλλοντος

Αποσύρετε τη συσκευασία σύμφωνα με τους κανόνες προστασίας του περιβάλλοντος.

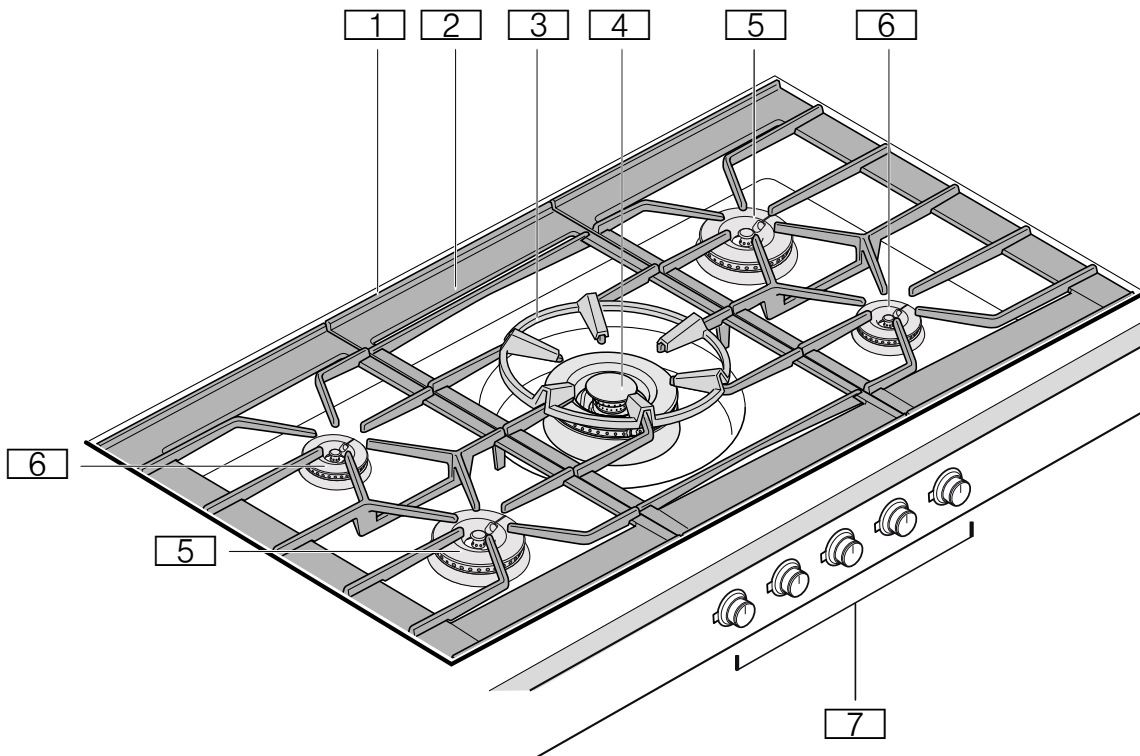


Αυτή η συσκευή χαρακτηρίζεται σύμφωνα με την ευρωπαϊκή οδηγία 2012/19/ΕΕ περί ηλεκτρικών και ηλεκτρονικών συσκευών (waste electrical and electronic equipment - WEEE).

Η οδηγία προκαθορίζει τα πλαίσια για μια απόσυρση και αξιοποίηση των παλιών συσκευών με ισχύ σ' όλη την ΕΕ.

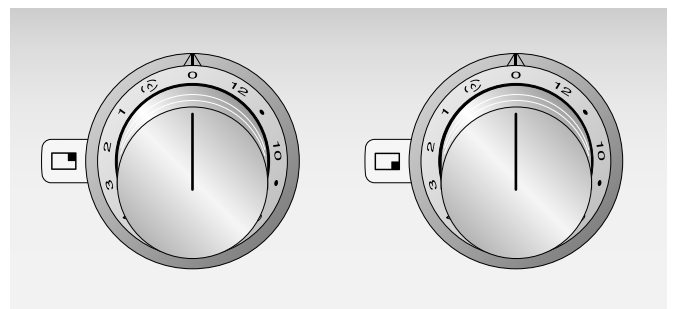
## Γνωρίστε τη συσκευή

### Βάση εστιών αερίου



- 1 Ανοίγματα αερισμού (κάτω από το φορέα μαγειρικών σκευών)
- 2 Φορέας μαγειρικών σκευών
- 3 Δακτύλιος Wok
- 4 Καυστήρας Wok 6,0/5,8 kW
- 5 Ισχυρός καυστήρας 4,0 kW
- 6 Κανονικός καυστήρας 2,0 kW
- 7 Κουμπιά χειρισμού

### Κουμπιά χειρισμού



Τα μαρκαρίσματα στο κουμπί χειρισμού δείχνουν την αντιστοιχία στον εκάστοτε καυστήρα και τη ρύθμιση για τη βαθμίδα μαγειρέματος 1 έως 12 ή για τη βαθμίδα σιγανού μαγειρέματος (☺).

☐	Εστία μαγειρέματος αριστερά μπροστά
☐	Εστία μαγειρέματος αριστερά πίσω
☐	Εστία μαγειρέματος μέση (Wok)
☐	Εστία μαγειρέματος δεξιά πίσω
☐	Εστία μαγειρέματος δεξιά μπροστά

## Ένδειξη στο φωτεινό δακτύλιο

Κάθε κουμπί χειρισμού διαθέτει ένα φωτεινό δακτύλιο με διάφορες δυνατότητες ένδειξης.

Ένδειξη	Σημασία
○ Off	Συσκευή OFF
● Ανάβουν πορτοκαλί	Συσκευή ON
☀ Αναβοσβήνουν πορτοκαλί	Συσκευή OFF Ένδειξη υπόλοιπης θερμότητας
☀ Αναβοσβήνει εναλλάξ πορτοκαλί και λευκός	Απενεργοποίηση ασφάλειας, διακοπή ρεύματος
☀ Αναβοσβήνει εναλλάξ κίτρινος και ματζέντα	Σφάλμα συσκευής Καλέστε την υπηρεσία εξυπηρέτησης πελατών!
● Ανάβουν για μερικά δευτερόλεπτα πράσινοι και μετά κίτρινοι	Η συσκευή αρχικοποιείται, μόνο μετά την πρώτη σύνδεση ή τη διακοπή ρεύματος

## Απαραίτητα εξαρτήματα εγκατάστασης

CA 429 410 Σετ πλαισίου αποτελούμενο από διακοσμητικό πλαίσιο (συγκολλησιμο) και πλαίσιο συγκράτησης

## Ειδικός εξοπλισμός

Τα ακόλουθα εξαρτήματα μπορείτε να τα παραγγείλετε μέσω του ειδικού καταστήματος πώλησης:

WP 400 001 Τηγάνι Wok από πολυστρωματικό υλικό. Με κυρτό πάτο και λαβή, Ø 36 cm, 6 λίτρα, ύψος 10 cm.

Χρησιμοποιείτε τα εξαρτήματα μόνο, όπως αναφέρεται. Ο κατασκευαστής δεν ευθύνεται, όταν τα εξαρτήματα έχουν χρησιμοποιηθεί λάθος.

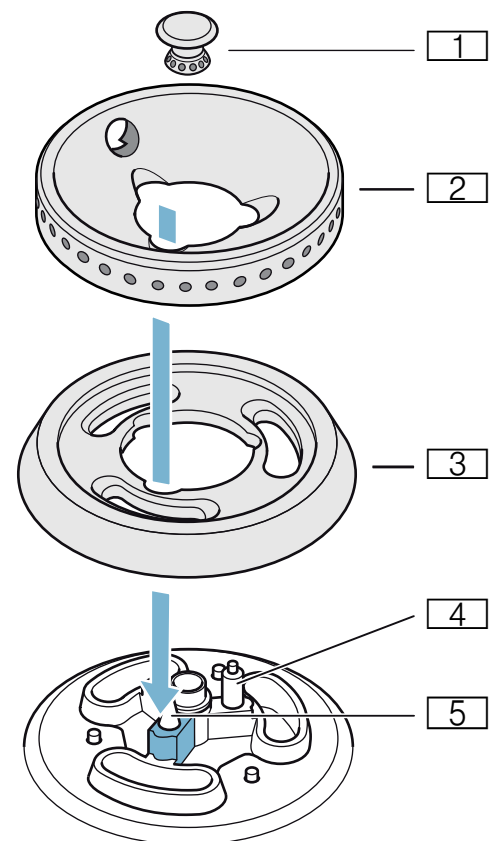
## Ξεχωριστά εξαρτήματα των καυστήρων

Τοποθετήστε τα ξεχωριστά εξαρτήματα των καυστήρων με ακρίβεια και επίπεδα, διαφορετικά μπορεί να προκύψουν δυσλειτουργίες κατά την ανάφλεξη ή κατά τη διάρκεια της λειτουργίας.

Τοποθετήστε την κεφαλή του καυστήρα και το δακτύλιο του καυστήρα έτσι, ώστε τα δόντια ασφάλισης του κάτω μέρους του καυστήρα να ασφαλιστούν στις αντίστοιχες εγκοπές. Ο προσανατολισμός της κεφαλής του καυστήρα και του δακτύλιου καυστήρα δεν έχει σημασία.

**Υπόδειξη:** Σε περίπτωση λοξά τοποθετημένων εξαρτημάτων του καυστήρα δε λειτουργεί η συσκευή.

## Ξεχωριστά εξαρτήματα του κανονικού καυστήρα και του ισχυρού καυστήρα

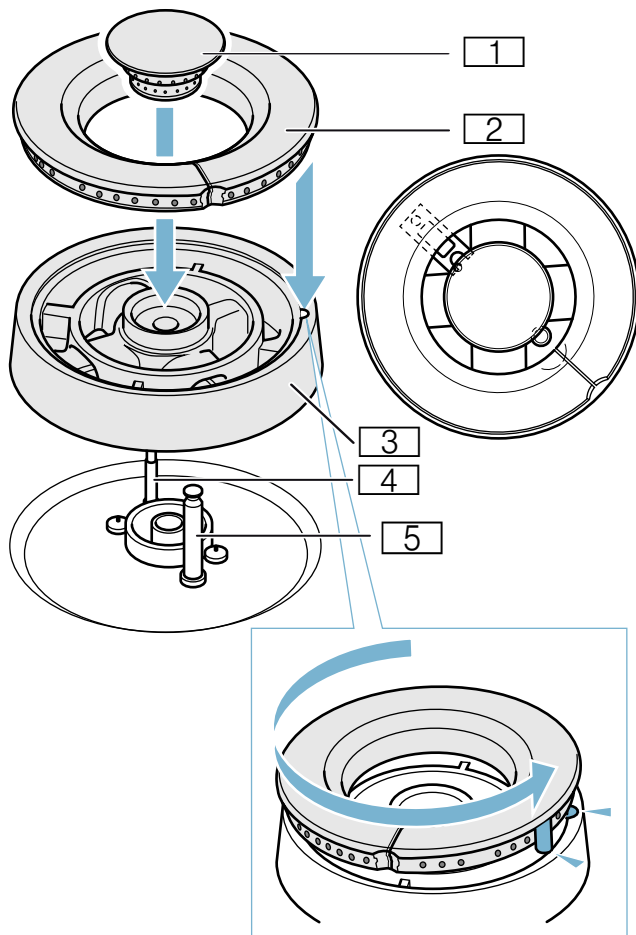


- 1 Καπάκι καυστήρα
- 2 Δακτύλιος καυστήρα
- 3 Κεφαλή καυστήρα
- 4 Αναφλεκτήρας
- 5 Θερμοστοιχείο

## Ξεχωριστά εξαρτήματα του καυστήρα Wok

Τοποθετήστε τα ξεχωριστά εξαρτήματα του καυστήρα Wok με ακρίβεια και επίπεδα, διαφορετικά μπορεί να προκύψουν δυσλειτουργίες κατά την ανάφλεξη ή κατά τη διάρκεια της λειτουργίας. Τοποθετήστε την κεφαλή του καυστήρα έτσι, ώστε το θερμοστοιχείο να βρίσκεται στην αντίστοιχη εγκοπή στην κεφαλή του καυστήρα. Το δόντι ασφάλισης στο δακτύλιο του καυστήρα πρέπει να ασφαλίσει στην αντίστοιχη εγκοπή στην κεφαλή του καυστήρα.

**Υπόδειξη:** Σε περίπτωση λοξά τοποθετημένων εξαρτημάτων του καυστήρα δε λειτουργεί η συσκευή.



- 1 Καπάκι καυστήρα
- 2 Δακτύλιος καυστήρα
- 3 Κεφαλή καυστήρα
- 4 Θερμοστοιχείο
- 5 Αναφλεκτήρας

## Χειρισμός της συσκευής

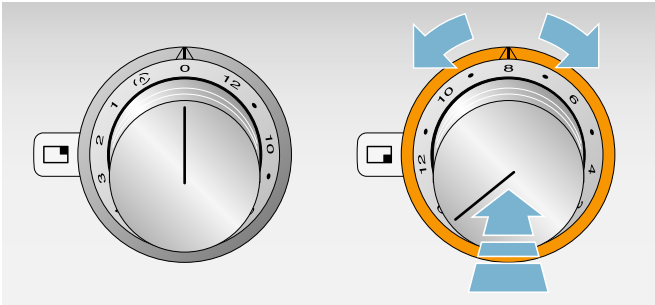
### Υποδείξεις

- Χρησιμοποιείτε μόνο τα προβλεπόμενα εξαρτήματα. Μην καλύψετε τη βάση εστιών αερίου από ανοξείδωτο χάλυβα (π.χ. με αλουμινοχαρτό).
- Ο καυστήρας και ο αναφλεκτήρας πρέπει να είναι καθαρός και στεγνός.
- Ανάψτε τις εστίες μαγειρέματος μόνο, όταν οι φορείς των μαγειρικών σκευών και όλα τα εξαρτήματα του καυστήρα είναι τοποθετημένα σωστά.
- Κατά την ανάφλεξη ενός καυστήρα δημιουργείται σε όλους τους καυστήρες ένας σπινθήρας ανάφλεξης.
- Μην αγγίξετε τον αναφλεκτήρα κατά τη διάρκεια της ανάφλεξης της συσκευής αερίου.
- Προσέξτε για πολύ μεγάλη καθαριότητα. Εάν οι αναφλεκτήρες είναι λερωμένοι, μπορεί να προκύψει μια ελαττωματική ανάφλεξη. Καθαρίζετε τακτικά τους αναφλεκτήρες με μια μικρή, μη μεταλλική βούρτσα. Προσέχετε, οι αναφλεκτήρες να μην εκτεθούν σε ισχυρούς κραδασμούς.
- Για το μαγείρεμα με ένα τηγάνι Wok πρέπει να τοποθετήσετε το δακτύλιο Wok πάνω από τον καυστήρα Wok στο φορέα μαγειρικών σκευών. Προσέξτε, να εδράζεται σίγουρα το τηγάνι Wok κατά το μαγείρεμα πάνω στο δακτύλιο Wok.
- Κατά την αλλαγή από τη βαθμίδα 3 στη βαθμίδα 4 ή σε υψηλότερη περνά ο καυστήρας για λίγο στη μέγιστη ισχύ. Αυτό χρησιμεύει στη βελτιστοποίηση της μεταφοράς της ανάφλεξης ανάμεσα στους δακτύλιους του καυστήρα.
- Μην καλύψετε τα ανοίγματα αερισμού στην πίσω πλευρά της βάσης εστιών αερίου.
- Κατά την ενεργοποίηση της βάσης εστιών αερίου ανοίγει το ηλεκτρονικό σύστημα την παροχή αερίου, έτσι δημιουργείται ένας σύντομος θόρυβος. Αυτό είναι κάτι το κανονικό.
- Σε περίπτωση μιας διακοπής ρεύματος η συσκευή δεν μπορεί να λειτουργήσει. Η παροχή αερίου είναι κλειστή.

## Ενεργοποίηση

Η βάση εστιών αερίου διαθέτει μια αυτόματη ταχεία ανάφλεξη.

- 1 Τοποθετήστε ένα κατάλληλο μαγειρικό σκεύος πάνω στη σχάρα της εστίας.
- 2 Πιέστε το κουμπί χειρισμού του επιλεγμένου καυστήρα και γυρίστε το προς τα αριστερά ή τα δεξιά στην επιθυμητή βαθμίδα μαγειρέματος. Ο καυστήρας ανάβει αυτόματα.



Στρέφοντας το κουμπί χειρισμού, μπορείτε να ρυθμίσετε τη βαθμίδα μαγειρέματος.

### **⚠ Προειδοποίηση – Κίνδυνος εκρηκτικής ανάφλεξης!**

Εάν ο καυστήρας δεν ανάψει μετά από 15 δευτερόλεπτα, κλείστε το κουμπί χειρισμού και ανοίξτε την πόρτα ή το παράθυρο του δωματίου. Περιμένετε το λιγότερο ένα λεπτό, προτού ανάψετε ξανά τον καυστήρα.

## Βαθμίδα σιγανού μαγειρέματος

Στη βαθμίδα σιγανού μαγειρέματος ο καυστήρας ενεργοποιεί και απενεργοποιεί τη φλόγα αερίου. Έτσι μπορείτε π.χ. να λιώσετε σοκολάτα ή να ζεστάνετε ευαίσθητες σάλτσες.

Γυρίστε το κουμπί χειρισμού στο (0). Η διάρκεια της ενεργοποίησης ή απενεργοποίησης ανέρχεται στα 10 - 50 δευτερόλεπτα.

## Ηλεκτρονική επιτήρηση φλόγας και αυτόματη επανάφλεξη

Για τη δική σας ασφάλεια η βάση εστιών είναι εξοπλισμένη με μια ηλεκτρονική επιτήρηση φλόγας. Σε περίπτωση που η φλόγα σβήσει κατά τη λειτουργία (π.χ. από ρεύμα του αέρα), ανάβει η συσκευή αυτόματα τον καυστήρα ξανά.

Σε περίπτωση που η επανάφλεξη αποτύχει (π.χ. ρύπανση του καυστήρα από ξεχειλισμένο φαγητό), τότε απενεργοποιεί η συσκευή την παροχή αερίου. Ο φωτεινός δακτύλιος πίσω από το κουμπί χειρισμού αναβοσβήνει.

Γυρίστε το κουμπί χειρισμού στο 0. Περιμένετε, μέχρι να κρυώσει αρκετά η συσκευή και ελέγξτε μετά, εάν όλα τα εξαρτήματα του καυστήρα είναι σωστά τοποθετημένα. Ελέγξτε, εάν ο καυστήρας ή ο αναφλεκτήρας είναι λερωμένος. → "Βλάβες, τι μπορεί να γίνει;" στη σελίδα 59

## Απενεργοποίηση

Γυρίστε το κουμπί χειρισμού στη θέση 0. Το ηλεκτρονικό σύστημα της συσκευής κλείνει την παροχή αερίου.

## Ένδειξη υπόλοιπης θερμότητας

Ο φωτεινός δακτύλιος πίσω από το κουμπί χειρισμού αναβοσβήνει μετά την απενεργοποίηση, όσο η συσκευή είναι πολύ ζεστή για να την ακουμπήσετε χωρίς κίνδυνο.

## Διάταξη απενεργοποίησης ασφαλείας

Για την προστασία σας η συσκευή είναι εξοπλισμένη με μια διάταξη απενεργοποίησης ασφαλείας. Η συσκευή απενεργοποιείται αυτόματα, όταν βρισκόταν για μεγάλο χρονικό διάστημα σε λειτουργία. Η χρονική διάρκεια μέχρι την απενεργοποίηση εξαρτάται από τη ρύθμιση (βαθμίδα 12 = 1 ώρα, βαθμίδα 1 = 4 ώρες). Ο φωτεινός δακτύλιος πίσω από το κουμπί χειρισμού αναβοσβήνει εναλλάξ πορτοκαλί και λευκός.

Γυρίστε το κουμπί χειρισμού στο 0, μετά μπορείτε να θέσετε ξανά τη συσκευή σε λειτουργία όπως συνήθως.

## Πίνακας ρύθμισης και συμβουλές

Βαθμίδα μαγειρέματος	Διαδικασία μαγειρέματος	Παραδείγματα
12	Ζέσταμα	Νερό, αραιές σούπες
	Ζεμάτισμα	Λαχανικά
10 - 12	Σοτάρισμα	Κρέας, φαγητά Wok/τηγανητά φαγητά
	Τηγάνισμα σε υψηλές θερμοκρασίες	Κρέας, πατάτες
7 - 10	Συνέχιση μαγειρέματος με ανοιχτό καπάκι	Υγρά, ζυμαρικά
6 - 8	Ψήσιμο	Φαγητά με αλεύρι
	Τηγάνισμα σε μέτριες θερμοκρασίες	Πουλερικά, ψάρι
4 - 6	Τηγάνισμα σε χαμηλές θερμοκρασίες	Ψητά λουκάνικα, κρεμμύδια, φαγητά με αυγά
	Ζέσταμα	Λαχανικά, σούπες, γιαχνί
	Τηγάνισμα στη φριτέζα	Τηγανητές πατάτες, παρασκευάσματα
	Σιγανό μαγείρεμα με ανοιχτό καπάκι	Κνέντελ, βραστά λουκάνικα
3 - 4	Ξεπάγωμα	Κατεψυγμένα τρόφιμα
	Μαγείρεμα σε κλειστό σκεύος	Ρολά κρέατος, ψητό
	Σοτάρισμα	Λαχανικά
2 - 4	Συνέχιση μαγειρέματος με κλειστό καπάκι	Σούπες, λαχανικά
Βαθμίδα σιγανού μαγειρέματος έως 3	Φούσκωμα	Ρύζι, ρυζόγαλο, δημητριακά
Βαθμίδα σιγανού μαγειρέματος	Λιώσιμο, διατήρηση θερμότητας	Σοκολάτα, βούτυρο

## Σύσταση καυστήρα

Επιλέξτε για τις διαδικασίες μαγειρέματος με χαμηλές θερμοκρασίες και μεγάλο χρόνο παρασκευής (π.χ. λιώσιμο, φούσκωμα, ψήσιμο) τον κανονικό καυστήρα ή τον ισχυρό καυστήρα (όχι τον καυστήρα Wok).

Στις διαδικασίες μαγειρέματος με υψηλές θερμοκρασίες και σύντομο χρόνο παρασκευής (π.χ. ζέσταμα, τηγάνισμα στη φριτέζα) συνιστούμε τον καυστήρα Wok ή τον ισχυρό καυστήρα.

## Συμβουλές για το μαγείρεμα και το ψήσιμο

Οι τιμές του πίνακα ρύθμισης χρησιμεύουν μόνο ως ενδεικτικές τιμές, επειδή ανάλογα με το είδος και την κατάσταση των τροφίμων καθώς επίσης και ανάλογα με το μέγεθος και την πλήρωση της κατσαρόλας είναι απαραίτητη περισσότερη ή λιγότερη θερμότητα.

Λόγω της μεγάλης ισχύος θερμαίνεται το λίπος και το λάδι γρήγορα. Μην αφήσετε το ψητό χωρίς επιτήρηση, το λίπος μπορεί να αναφλεγεί και το ψητό να καεί.

## Συμβουλές για το Wok

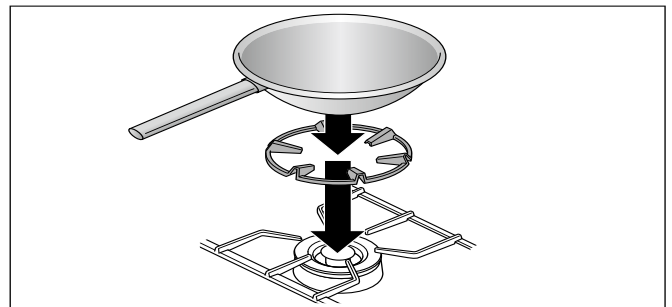
**Υπόδειξη:** Για το μαγείρεμα με ένα τηγάνι Wok πρέπει να τοποθετήσετε το δακτύλιο Wok πάνω από τον καυστήρα Wok στο φορέα μαγειρικών σκευών. Προσέξτε, να εδράζεται σίγουρα το τηγάνι Wok κατά το μαγείρεμα πάνω στο δακτύλιο Wok.

Σας συνιστούμε τηγάνια Wok με κυρτό πάτο. Ένα υψηλής ποιότητας τηγάνι Wok μπορείτε να παραγγείλετε ως ειδικό εξάρτημα (WP 400 001).

Χρησιμοποιήστε για το μαγείρεμα με το τηγάνι Wok μόνο πολύ θερμαινόμενο λάδι φαγητού, π.χ. φιστικέλαιο.

Μαγειρέψτε τα υλικά της συνταγής με μεγάλη θερμότητα, ανακατεύοντας συνεχώς και όχι για πολύ χρόνο. Τα λαχανικά πρέπει να είναι ακόμα λίγο σκληρά.

Χρησιμοποιήστε για το ανακάτεμα και την αφαίρεση των φαγητών καλύτερα μια ρηχή κουτάλα με μακριά λαβή από ανθεκτικό στη θερμότητα υλικό.





## Υποδείξεις για τα μαγειρικά σκεύη

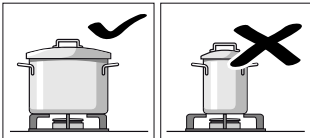
Οι ακόλουθες υποδείξεις σας βοηθάνε, στην εξοικονόμηση ενέργειας και στην αποφυγή ζημιών στα μαγειρικά σκεύη.

### Κατάλληλα μαγειρικά σκεύη

Καυστήρας	Συνιστούμενη διάμετρος πάτου σκεύους	Ελάχιστη διάμετρος πάτου σκεύους
Κανονικός καυστήρας	200 - 240 mm	90 mm
Ισχυρός καυστήρας	240 - 280 mm	90 mm
Καυστήρας για Wok	240 - 320 mm Χρησιμοποιήστε το τηγάνι Wok μόνο με το δακτύλιο Wok.	160 mm

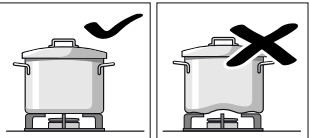
**Σκεύη με μια διάμετρο κάτω από 90 mm ή πάνω από 280 mm (320 mm για τον καυστήρα για Wok) δεν πρέπει να χρησιμοποιηθούν.** Εάν χρησιμοποιήσετε μεγαλύτερα σκεύη, τότε αυτά δεν επιτρέπεται να προεξέχουν πέρα από το πλάτος της συσκευής.

### Υποδείξεις χρήσης



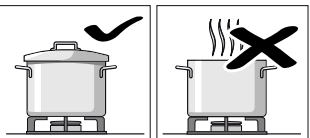
Χρησιμοποιείτε μαγειρικά σκεύη κατάλληλου μεγέθους για τον εκάστοτε καυστήρα.

Μη χρησιμοποιείτε κανένα μικρό μαγειρικό σκεύος πάνω στους μεγάλους καυστήρες. Η φλόγα δεν πρέπει να έρχεται σε επαφή με τις πλευρές των μαγειρικών σκευών.

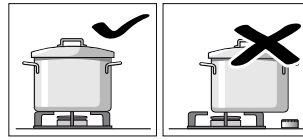


Μη χρησιμοποιείτε ένα παραμορφωμένο μαγειρικό σκεύος, το οποίο δε στέκεται σταθερά πάνω στη βάση εστιών. Τα σκεύη μπορούν να ανατραπούν.

Χρησιμοποιείτε μόνο μαγειρικά σκεύη με επίπεδους και χοντρούς πάτους.

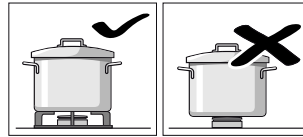


Μη μαγειρεύετε χωρίς καπάκι ή με το καπάκι μετατοπισμένο. Ένα μεγάλο μέρος της ενέργειας χάνεται.



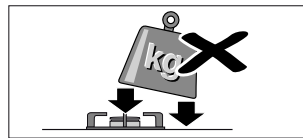
Τοποθετείτε το μαγειρικό σκεύος στη μέση πάνω από τον καυστήρα, διαφορετικά το σκεύος μπορεί να ανατραπεί.

Μην τοποθετείτε μεγάλες κατσαρόλες πάνω στους καυστήρες κοντά στα κουμπιά χειρισμού. Αυτά θα μπορούσαν να υπερθερμανθούν και έτσι να καταστραφούν.



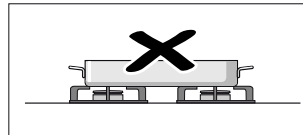
Τοποθετείτε τις κατσαρόλες πάνω στους φορείς των μαγειρικών σκευών, ποτέ απευθείας πάνω στους καυστήρες.

Πριν τη χρήση βεβαιωθείτε, ότι οι φορείς των μαγειρικών σκευών και τα καπάκια των καυστήρων αερίου έχουν τοποθετηθεί σωστά.



Να χειρίζεστε προσεκτικά τα σκεύη, που βρίσκονται πάνω στη βάση εστιών.

Μην κτυπάτε τη βάση εστιών και μην τοποθετείτε πάνω κανένα βαρύ αντικείμενο.



Μη θερμαίνετε ποτέ ένα μαγειρικό σκεύος (π.χ. ψηλή φόρμα, βαθύ ταψί, πέτρα ψησίματος γκριλ) με περισσότερους καυστήρες. Η προκύπτουσα συσσώρευση θερμότητας οδηγεί σε βλάβη στη συσκευή.

## Καθαρισμός και συντήρηση

### ⚠ Προειδοποίηση – Κίνδυνος ηλεκτροπληξίας!

Μια εισχώρηση υγρασίας μπορεί να προκαλέσει μια ηλεκτροπληξία. Μη χρησιμοποιείτε συσκευές καθαρισμού υψηλής πίεσης ή συσκευές εκτόξευσης ατμού.

### ⚠ Προειδοποίηση – Κίνδυνος εγκαύματος!

Τα προσιτά μέρη/εξαρτήματα ζεσταίνονται πολύ κατά τη λειτουργία. Μη ακουμπάτε ποτέ τα καυτά μέρη/εξαρτήματα. Κρατάτε τα παιδιά μακριά.

#### Προσοχή!

##### Ζημιές στην επιφάνεια

Μη χρησιμοποιείτε αυτά τα μέσα καθαρισμού

- Δυνατά ή διαβρωτικά καθαριστικά
- Απορρυπαντικά φούρνου
- Καυστικά καθαριστικά, καθαριστικά που εμπεριέχουν χλώριο ή δραστικά καθαριστικά
- Καθαριστικά με μεγάλη αναλογία αλκοόλης
- Σκληρά ή τραχιά σφουγγάρια, βούρτσες ή σύρματα τριψίματος

Εάν ένα τέτοιο μέσο καθαρισμού έρθει σε επαφή με τη συσκευή, σκουπίστε το αμέσως με νερό.

Πριν τη χρήση πλένετε πάντοτε καλά τα νέα σφουγγάρια!

## Καθαρισμός της συσκευής

Καθαρίζετε τη συσκευή μετά από κάθε χρήση, αφού πρώτα κρυώσει. Απομακρύνετε αμέσως τα ξεχειλισμένα υγρά, μην αφήσετε να καούν τα υπολείμματα φαγητού.

Διατηρείτε καθαρά τα ανοίγματα αερισμού κάτω από τη σχάρα μαγειρικών σκευών. Τα ανοίγματα αερισμού δεν επιτρέπεται να καλυφθούν.

Στεγνώστε τους καυστήρες καλά μετά τον καθαρισμό. Θέστε τη συσκευή σε λειτουργία μόνο με στεγνούς καυστήρες. Οι υγροί καυστήρες οδηγούν σε πρόβλημα κατά την ανάφλεξη ή σε μια ασταθή φλόγα.

Κατά τη συναρμολόγηση προσέξτε στη σωστή θέση των εξαρτημάτων του καυστήρα (δόντια ασφάλισης). Όλα τα εξαρτήματα πρέπει να κάθονται επίπεδα.

Μέρος συσκευής/ Επιφάνεια	Συνιστούμενος καθαρισμός
Επιφάνειες ανοξειδωτου χάλυβα	Διάλυμα απορρυπαντικού πιάτων - στεγνώστε με ένα μαλακό πανί. Για τον καθαρισμό χρησιμοποιείτε μόνο λίγο νερό, δεν επιτρέπεται να εισχωρήσει καθόλου νερό μέσα στη συσκευή.  Αφήστε τα καμένα σημεία να μουλιάσουν με λίγο νερό και λίγο απορρυπαντικό πιάτων, μην τα τρίβετε.  Απομακρύνετε τη δυνατή ρύπανση ή την προκαλούμενη από τη θερμότητα κίτρινη απόχρωση με το δικό μας υλικό καθαρισμού ανοξειδωτου χάλυβα (αριθ. προϊόντος 00311499).
Φορέας μαγειρικών σκευών, δακτύλιος Wok	Για τον καθαρισμό αφαιρέστε την προσεκτικά. Μουλιάστε την στο νεροχύτη. Καθαρίστε την με βούρτσα καθαρισμού και υγρό καθαρισμού πιάτων.  Καθαρίστε προσεκτικά στην περιοχή των λαστιχένιων τάκων, για να μην αποσπαστούν.  Ξεπλύνετε με καθαρό νερό, στεγνώστε την πριν την τοποθέτηση.  <b>Μην τα καθαρίζετε στο πλυντήριο των πιάτων!</b>
Εξαρτήματα του καυστήρα	Διάλυμα απορρυπαντικού πιάτων - στεγνώστε με ένα μαλακό πανί. Προσέξτε, να μην είναι τα ανοίγματα φραγμένα.  Προσέξτε, να μη χαθεί κανένα μικροαντικείμενο.  <b>Μην τα καθαρίζετε στο πλυντήριο των πιάτων!</b>
Κουμπιά χειρισμού	Διάλυμα απορρυπαντικού πιάτων - το πανί δεν επιτρέπεται να είναι πολύ υγρό. Στεγνώστε με ένα μαλακό πανί.

## Καμένη ρύπανση

Για σκληρή, καμένη ρύπανση μπορείτε να παραγγείλετε στο Online-Shop της εταιρείας μας, στα ειδικά καταστήματα πώλησης ή στην υπηρεσία εξυπηρέτησης πελατών της εταιρείας μας ένα καθαριστικό ζελέ (αριθ. παραγγελίας 00311859). Είναι κατάλληλο για τους φορείς μαγειρικών σκευών και τη βάση εστιών αερίου από ανοξειδωτο χάλυβα. Σε περίπτωση που χρειάζεται, αφήστε να δράσει στη ρύπανση όλη τη νύχτα. Προσέξτε τις υποδείξεις πάνω στο καθαριστικό.

#### Προσοχή!

##### Ζημιές στην επιφάνεια

Μη χρησιμοποιήσετε το καθαριστικό ζελέ πάνω στα εξαρτήματα των καυστήρων.

## Αλλαγή χρώματος των καυστήρων

Μετά από μεγάλη χρήση τα ορειχάλκινα εξαρτήματα των καυστήρων σκουραίνουν με τη φυσική οξειδωση. Η αλλαγή του χρώματος δεν επηρεάζει την ικανότητα χρήσης.

## Βλάβες, τι μπορεί να γίνει;

Συχνά μπορείτε να επιδιορθώσετε εύκολα μόνοι σας τις παρουσιαζόμενες βλάβες. Προτού καλέσετε το σέρβις πελατών, προσέξτε τις ακόλουθες υποδείξεις.

### Προειδοποίηση – Κίνδυνος ηλεκτροπληξίας!

Οι ακατάλληλες επισκευές είναι επικίνδυνες. Οι επισκευές επιτρέπεται να γίνονται μόνο από έναν τεχνικό του τμήματος εξυπηρέτησης πελατών, εκπαιδευμένο από εμάς. Εάν η συσκευή έχει βλάβη, τραβήξτε το ρευματολήπτη (φίς) από την πρίζα ή κατεβάστε/ξεβιδώστε την ασφάλεια στο κιβώτιο των ασφαλειών. Καλέστε την υπηρεσία τεχνικής εξυπηρέτησης πελατών.

Βλάβη	Πιθανή αιτία	Λύση
Ο καυστήρας δεν ανάβει κατά την ενεργοποίηση.	Καμία παροχή ρεύματος.	Γυρίστε όλα τα κουμπιά χειρισμού στο 0. Ελέγξτε στο κιβώτιο των ασφαλειών, εάν η ασφάλεια έπεσε.
Ο καυστήρας δεν ανάβει κατά την ενεργοποίηση. Ο φωτεινός δακτύλιος πίσω από το κουμπί χειρισμού αναβοσβήνει εναλλάξ πορτοκαλί και λευκός.	Βλάβη στον καυστήρα ή στην παροχή αερίου.	Γυρίστε όλα τα κουμπιά χειρισμού στο 0. <b>Ελέγξτε:</b> <ul style="list-style-type: none"> <li>● Εξαρτήματα καυστήρα σωστά τοποθετημένα;</li> <li>● Βάνα αποκοπής αερίου ανοιχτή;</li> <li>● Καυστήρας στεγνός και καθαρός;</li> <li>● Αέρας στον αγωγό μετά τη σύνδεση για πρώτη φορά ή μετά από αλλαγή της φιάλης (σε περίπτωση υγραερίου);</li> <li>● Φιάλη αερίου άδεια (σε περίπτωση υγραερίου);</li> </ul>
Ο καυστήρας δεν ανάβει κατά την ενεργοποίηση. Όλοι οι φωτεινοί δακτύλιοι πίσω από τα κουμπιά χειρισμού ανάβουν λευκοί μετά την ενεργοποίηση για 10 δευτερόλεπτα. Μετά ο φωτεινός δακτύλιος του ενεργοποιημένου κουμπιού χειρισμού ανάβει πορτοκαλί.	Η λειτουργία παρουσίασης είναι ενεργοποιημένη.	Απενεργοποιήστε τη λειτουργία παρουσίασης.
Ο καυστήρας δεν ανάβει κατά την ενεργοποίηση. Ο φωτεινός δακτύλιος πίσω από το κουμπί χειρισμού αναβοσβήνει εναλλάξ κίτρινος και ματζέντα.	Βλάβη στο ηλεκτρονικό σύστημα	Γυρίστε όλα τα κουμπιά χειρισμού στο 0 και αποσυνδέστε τη συσκευή για ένα λεπτό από το ηλεκτρικό δίκτυο (κατεβάστε/ξεβιδώστε την ασφάλεια ή τραβήξτε το φίς). Συνδέστε τη συσκευή εκ νέου. Οι φωτεινοί δακτύλιοι στα κουμπιά χειρισμού ανάβουν για μερικά δευτερόλεπτα πράσινοι και μετά κίτρινοι. Περιμένετε μέχρι να σβήσουν οι φωτεινοί δακτύλιοι. Μετά γυρίστε ένα οποιοδήποτε κουμπί χειρισμού σε μια οποιαδήποτε βαθμίδα μαγειρέματος και ξανά στο 0. Ενεργοποιήστε τον καυστήρα. Σε περίπτωση που ο φωτεινός δακτύλιος αναβοσβήνει ξανά εναλλάξ πορτοκαλί και ματζέντα, καλέστε την υπηρεσία εξυπηρέτησης πελατών.
Ο καυστήρας απενεργοποιείται κατά τη λειτουργία. Ο φωτεινός δακτύλιος πίσω από το κουμπί χειρισμού αναβοσβήνει εναλλάξ πορτοκαλί και λευκός.	Απενεργοποίηση ασφαλείας: Δεν πραγματοποιήθηκε για μεγάλη διάρκεια κανένας χειρισμός.	Γυρίστε όλα τα κουμπιά χειρισμού στο 0 και ενεργοποιήστε τα μετά ενδεχομένως ξανά.

Ο καυστήρας απενεργοποιείται κατά τη λειτουργία. Ο φωτεινός δακτύλιος πίσω από το κουμπί χειρισμού αναβοσβήνει εναλλάξ πορτοκαλί και λευκός.	Διακοπή ρεύματος στην κατοικία: Μετά από μια διακοπή ρεύματος παραμένει η συσκευή για λόγους ασφαλείας απενεργοποιημένη.	Γυρίστε όλα τα κουμπιά χειρισμού στο 0 και ενεργοποιήστε τα μετά ενδεχομένως ξανά.
Στην κουζίνα μυρίζει αέριο.	Πιθανή διαρροή στη σύνδεση της μπουκάλας αερίου.	Ελέγξτε τη σύνδεση της μπουκάλας αερίου για στεγανότητα. Ανοίξτε τα παράθυρα και εξαερίστε καλά το χώρο.
Οι γωνίες της συσκευής κυρτώνονται κατά τη λειτουργία ελαφρά προς τα επάνω.	Με τη θερμότητα διογκώνεται το μέταλλο της βάσης αερίου.	Αυτό είναι κάτι το κανονικό. Στην κρύα κατάσταση δεν φαίνεται καμία κύρτωση.

#### Υποδείξεις

- Σε κάθε ενεργοποίηση του δικτύου ή μετά από μια διακοπή ρεύματος δημιουργείται ένας θόρυβος, επειδή αρχικοποιούνται οι βαλβίδες αερίου. Οι φωτεινοί δακτύλιοι στα κουμπιά χειρισμού ανάβουν για μερικά δευτερόλεπτα πράσινοι και μετά κίτρινοι. Περιμένετε μέχρι να σβήσουν οι φωτεινοί δακτύλιοι.
- Κατά την ενεργοποίηση της βάσης εστιών αερίου ανοίγει το ηλεκτρονικό σύστημα την παροχή αερίου, έτσι δημιουργείται ένας σύντομος θόρυβος. Επίσης και κατά την αλλαγή της ρύθμισης της ισχύος δημιουργείται ένας θόρυβος. Αυτό είναι κάτι το κανονικό.

#### Λειτουργία παρουσίασης

Η λειτουργία παρουσίασης είναι ενεργοποιημένη, εάν μετά την ενεργοποίηση όλοι οι φωτεινοί δακτύλιοι των κουμπιών χειρισμού ανάβουν για 10 δευτερόλεπτα λευκοί. Ο καυστήρας δεν ανάβει. Ο φωτεινός δακτύλιος του ενεργοποιημένου κουμπιού χειρισμού ανάβει πορτοκαλί.

#### Μπορείτε να απενεργοποιήσετε τη λειτουργία παρουσίασης ως εξής:

- 1 Γυρίστε όλα τα κουμπιά χειρισμού στο 0. Αποσυνδέστε τη συσκευή από το δίκτυο του ρεύματος. Περιμένετε το λιγότερο 30 δευτερόλεπτα.
- 2 Συνδέστε τη συσκευή εκ νέου. Οι φωτεινοί δακτύλιοι στα κουμπιά χειρισμού ανάβουν για μερικά δευτερόλεπτα πράσινοι και μετά κίτρινοι. Περιμένετε μέχρι να σβήσουν οι φωτεινοί δακτύλιοι.
- 3 Απενεργοποιήστε στη συνέχεια τη λειτουργία παρουσίασης μέσα σε 3 λεπτά ως ακολούθως: Γυρίστε ένα οποιοδήποτε κουμπί χειρισμού αριστερά στη θέση 12.
- 4 Γυρίστε το κουμπί χειρισμού δεξιά στη θέση 1.
- 5 Γυρίστε το κουμπί χειρισμού αριστερά στη θέση 0. Περιμένετε, μέχρι να ανάψει ο φωτεινός δακτύλιος κίτρινος.
- 6 Γυρίστε το κουμπί χειρισμού δεξιά στη θέση 1. Ο φωτεινός δακτύλιος ανάβει πράσινος. Περιμένετε 5 δευτερόλεπτα. Ο φωτεινός δακτύλιος αλλάζει σε κίτρινο.

Η λειτουργία παρουσίασης απενεργοποιήθηκε. **Για την αποθήκευση της ρύθμισης εγκαταλείψτε οπωσδήποτε το μενού ως εξής:**

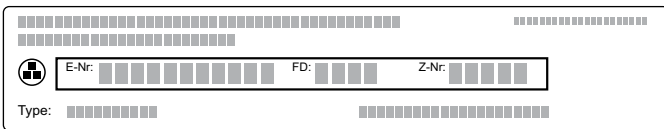
- 7 Γυρίστε το κουμπί χειρισμού στο 0. Μετά γυρίστε το κουμπί χειρισμού αριστερά στη θέση 12. Γυρίστε το κουμπί χειρισμού δεξιά στη θέση 1. Γυρίστε το κουμπί χειρισμού αριστερά στη θέση 0. Περιμένετε, μέχρι να σβήσει ο φωτεινός δακτύλιος.

## Υπηρεσία εξυπηρέτησης πελατών

Η υπηρεσία εξυπηρέτησης των πελατών μας βρίσκεται πάντα στη διάθεσή σας, εάν η συσκευή σας χρειάζεται επισκευή. Εμείς βρίσκουμε πάντοτε μια κατάλληλη λύση, επίσης και για την αποφυγή των περιττών επισκέψεων του προσωπικού της υπηρεσίας εξυπηρέτησης πελατών.

### Αριθμός E και αριθμός FD

Αναφέρετε στο τηλεφώνημα τον πλήρη αριθμό προϊόντος (Αριθ. E) και τον αριθμό κατασκευής ( Αριθ. FD), για να μπορούμε να σας βοηθήσουμε σωστά. Την πινακίδα τύπου με τους αριθμούς θα τη βρείτε στην κάτω πλευρά της συσκευής.



Για να μη χρειαστεί να ψάχνετε πολύ, σε περίπτωση που χρειάζεται, μπορείτε να γράψετε εδώ τα στοιχεία της συσκευής σας και τον αριθμό τηλεφώνου της υπηρεσίας εξυπηρέτησης πελατών.

**E-Nr.**

**FD-Nr.**

### Υπηρεσία εξυπηρέτησης πελατών ☎

Προσέξτε, ότι η επίσκεψη του τεχνικού της υπηρεσίας εξυπηρέτησης πελατών στη περίπτωση ενός εσφαλμένου χειρισμού δεν είναι δωρεάν, ακόμα και κατά τη διάρκεια του χρόνου της εγγύησης.

Τα στοιχεία επικοινωνίας όλων των χωρών θα τα βρείτε στον πίνακα Υπηρεσίες τεχνικής εξυπηρέτησης πελατών που παραδίδεται μαζί.

### Εντολή επισκευής και συμβουλές σε περίπτωση βλάβης

**GR** 18 182

χρέωση κλήσης προς εθνικά δίκτυα

Εμπιστευτείτε την εμπειρία του κατασκευαστή. Έτσι εξασφαλίζετε, ότι η επισκευή γίνεται από εκπαιδευμένους τεχνικούς του σέρβις, που είναι εξοπλισμένοι με τα γνήσια ανταλλακτικά για τη δική σας οικιακή συσκευή.





**Gaggenau Hausgeräte GmbH**  
Carl-Wery-Straße 34  
81739 München  
GERMANY  
[www.gaggenau.com](http://www.gaggenau.com)

9001154619 (970303)  
en, es, pt, el

**GAGGENAU**

