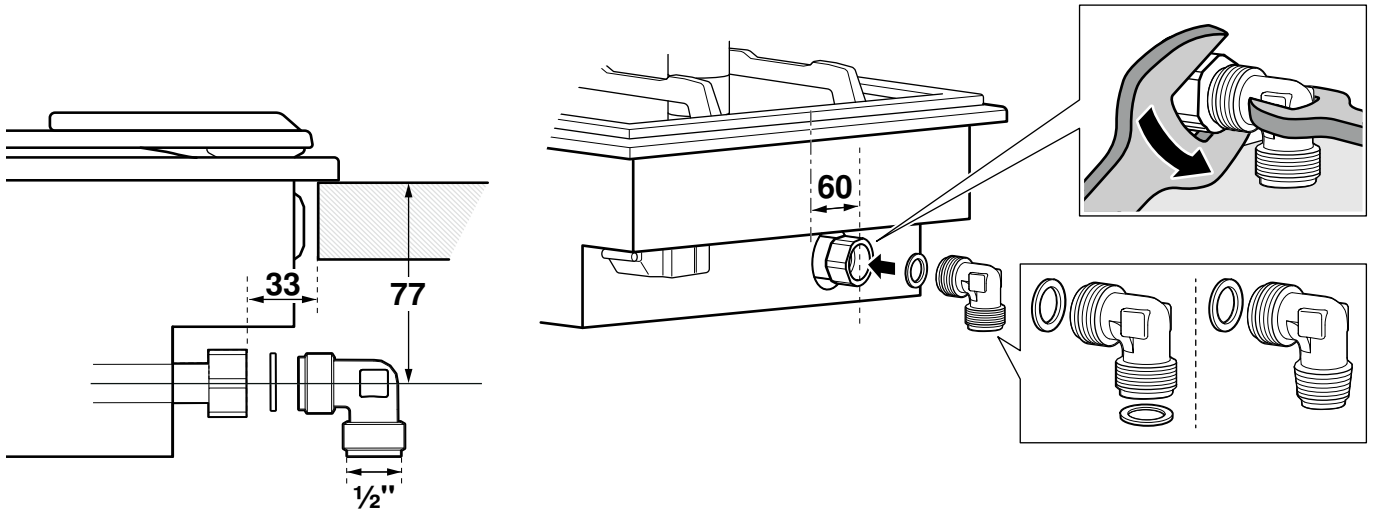
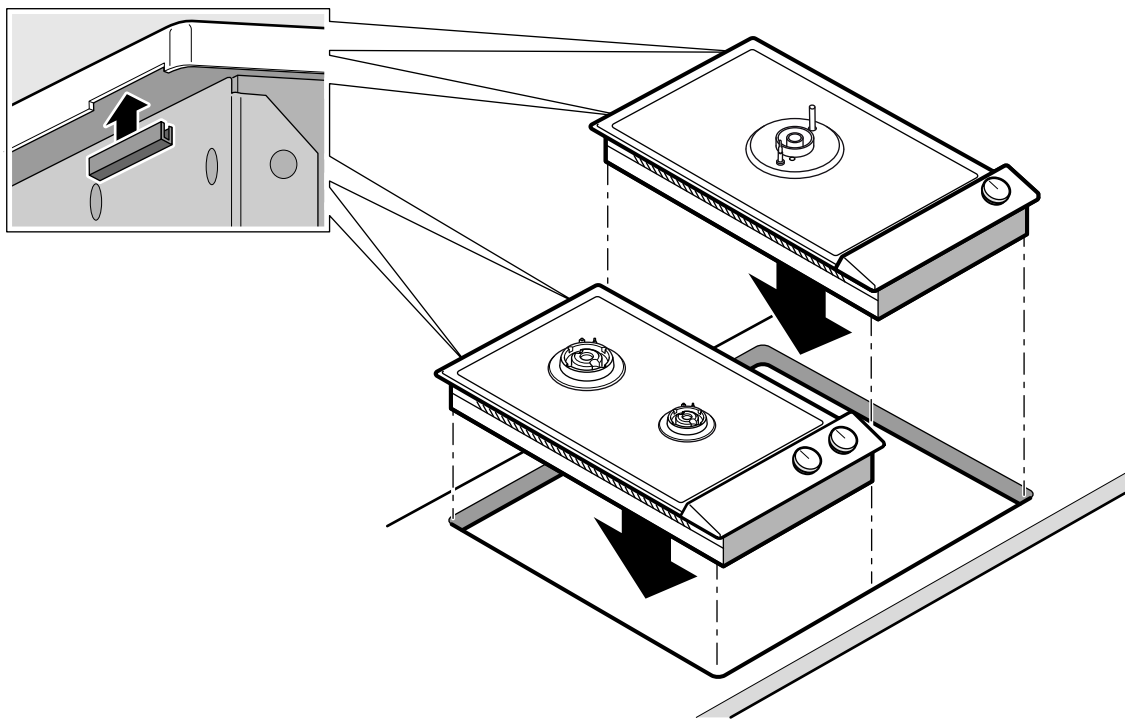


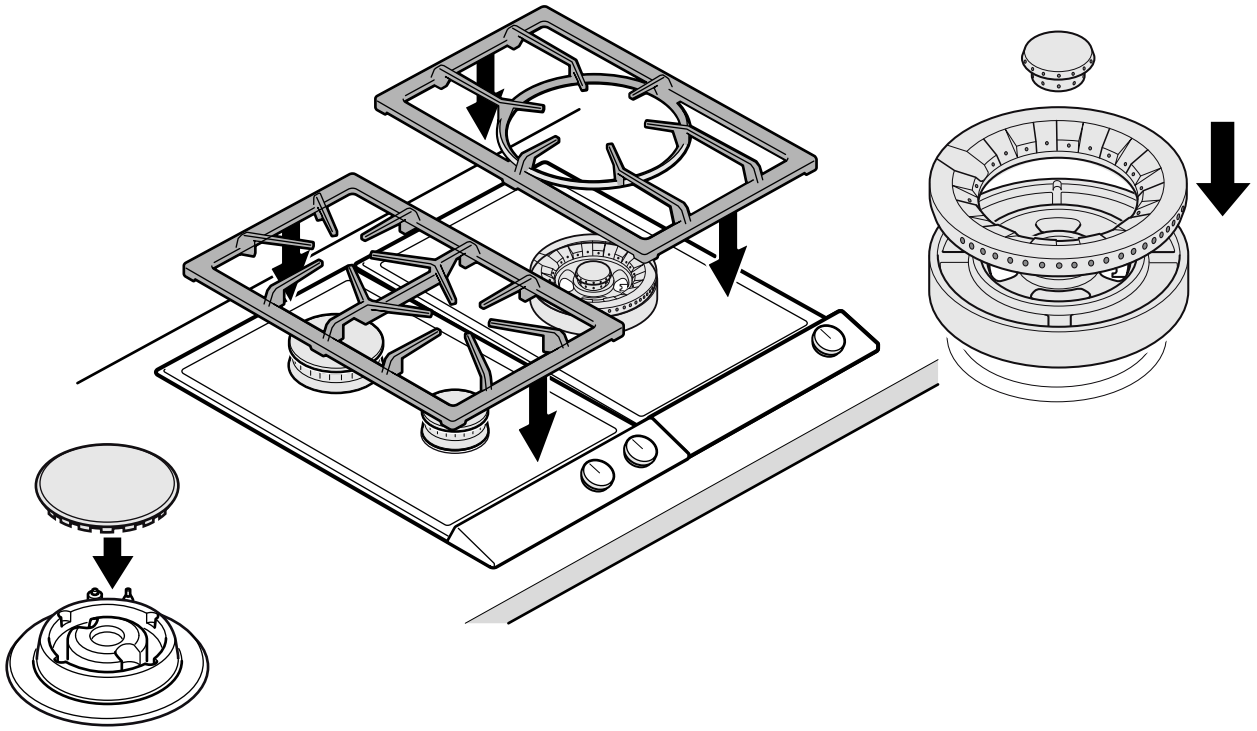
2



3



4



## Important notes

Read these instructions carefully and keep them in a safe place. Safety during use can only be ensured if the appliance is fitted correctly according to these installation instructions. The installer is responsible for ensuring that the appliance operates perfectly at the point of installation.

### ⚠ Risk of injury!

Parts that are accessible during installation may have sharp edges. Wear protective gloves.

The appliance must be connected to the mains only by a licensed and trained technician.

Before carrying out any type of work, turn off the electricity and gas supply.

For installation, currently applicable building regulations and the regulations of local electricity and gas suppliers must be observed.

For conversion to another type of gas, please call the after-sales service.

### ⚠ Risk of gas escape!

After connecting the appliance to the gas supply, always check the connection for leak tightness. The manufacturer accepts no responsibility for the escape of gas from a gas connection which has been previously tampered with.

### Ensure sufficient air exchange in the room where the appliance is installed. Up to 11 kW total output:

- Minimum volume of the room where appliance is installed: 20 m<sup>3</sup>
- A door leading to the open air or a window which can be opened.

### Up to 18 kW total output:

- Minimum volume of the room where appliance is installed: 2 m<sup>3</sup> per kW total output.
- A door leading to the open air or a window which can be opened.
- An extraction hood into the open air. Minimum displacement volume of extraction hood: 15 m<sup>3</sup>/h per kW total output.

### Caution!

This appliance is not connected to a flue. It must be connected and put into operation in accordance with the installation conditions. Do not connect the appliance to a flue gas outlet. All ventilation regulations must be observed.

The installation system must incorporate an all-pin isolating switch with a contact opening of at least 3 mm, or the appliance should be connected to the mains via a safety plug. The plug must remain accessible after installation is complete.

Specifications on the rating plate showing voltage, type of gas and gas pressure must agree with the local mains connection conditions.

Do not kink or trap the mains connection cable.

This appliance corresponds to appliance class 3 (for installation in a kitchen unit). It must be fitted according to the installation drawing. The wall behind the appliance must be made of non-flammable material.

This appliance is not intended for operation with an external timer or an external remote control.

Do not install this appliance on boats or in vehicles.

## Preparing the units (Fig. 1)

The kitchen unit must be heat-resistant to at least 90 °C (about 190 °F). The stability of the unit must be maintained after producing the cut-out.

Produce the cut-out in the worktop for one or more Vario appliances as shown in the installation sketch. The angle between the cut surface and the worktop must be 90°.

The cut edges at the sides must be more than 20 mm thick and even to ensure a good fit of the retaining springs on the appliance. In laminated worktops, it may be necessary to fit strips at the sides of the cut-out.

Remove shavings after cutting. Seal cut surfaces for resistance to heat and so they are watertight.

Pay attention to a minimum gap of 10 mm from the underside of the appliance to kitchen units.

Use suitable base constructions to ensure load-carrying capacity and stability, especially in the case of thin worktops. Pay attention to the weight of the appliance, including any payload.

Reinforcement material used must be resistant to heat and moisture.

Use suitable base constructions to ensure load-carrying capacity and stability, especially in the case of thin worktops. Pay attention to the weight of the appliance, including any payload.

Reinforcement material used must be resistant to heat and moisture.

To avoid leaking gas to accumulate and cause an explosion, ensure that the cabinet on which the built-in cooking appliance is mounted has an air outlet to the surrounding room with a minimum cross-section of 100 cm<sup>2</sup>.

**Note:** Wait until the appliance has been installed in the installation opening before checking that it is level.

## Fitting the appliance

Insert the appliance evenly into the cut-out. Push it down firmly into the cut-out.

**Note:** The appliance must sit fast in the cut-out and must not be able to move around (e.g. during cleaning). If the width of the cut-out is at the upper tolerance limit, secure batten to the sides of the cut-out if necessary.

## Removing the appliance

Disconnect the appliance from the power and the gas supply. Push out the appliance from below.

### Caution!

Risk of damage! Do not lever out the appliance from above.

## Gas connection

The gas connection must be arranged in such a way that the shut-off valve is accessible.

The appliance comes with two connection elbows (appliance-side G<sup>1/2</sup>"). Select the suitable version depending on the country:

- G 1/2 cylindrical GB/T 7307
- R 1/2 conical GB/T 7306

Use one of the supplied connection elbows and the corresponding seal to connect the appliance to a fixed connecting cable or a gas safety hose.

A metal connection hose should be used if the hob is connected to natural gas.

If the gas safety hose is not made of metal or is only partially made of metal, the ambient temperature must not exceed 90 °C. If the gas safety hose is made of metal, the permissible ambient temperature is 115 °C.

Route the gas safety hose in such a way that it does not come into contact with the moving parts of the fitted units (e.g. drawer).

## Electrical connection

Check that the appliance has the same voltage and frequency as the electrical installation system.

The appliance is delivered with a mains cable, with or without plug, depending on model.

Only connect the appliance to sockets which have been fitted and earthed according to regulations.

The appliance corresponds to type X: If the supply cord is damaged, it must be replaced by a special cord or assembly available from the manufacturer or its service agent.

## Technical data

Total connected load (natural gas):

9.6 kW (Hi) (wok burner 5.2 kW, high intensity burner 2.7 kW, normal burner 1.7 kW)

Total connected load (electric): 10.0 W

Voltage: 220 V

Frequency: 50 Hz

Gas type : 12T

Pressure : 2000 Pa

Dimension (WxDxH) : 581 x 512 x 148 mm

Place of origin : France

Distributor: BSH Home Appliances (China) Co., Ltd.

## 重要说明

请认真阅读本安装说明并保存在安全的地方。只有按照安装说明正确安装电器，才能保证使用安全。安装工负责确保电器在安装位置上正常工作。

### △ 有受伤危险!

在安装过程中碰得到的部件可能具有锋利的边缘。请戴上防护手套。

只有经过培训并持有上岗证书的专业人员才能将电器连接到电源。

在进行任何类型的作业前，切断电源和气源。

安装时，必须遵循现行建筑条例和当地电力和燃气公司规定。

如要改接其他燃气类型，请致电售后服务部门。

### △ 有燃气泄漏危险!

在将电器连接至气源之后，一定要检查接头是否拧紧无泄漏。制造商对于因擅自改动接头而导致的燃气泄漏不承担责任。

**确保安装电器的房间内有充足的换气。总功率最高达 11 kW:**

- 安装电器房间的最小容积: 20 m<sup>3</sup>
- 有通向室外的门或可以打开的窗户。

**总功率最高达 18 kW:**

- 安装电器房间的最小容积: 总输出功率每千瓦 2 m<sup>3</sup>。
- 有通向室外的门或可以打开的窗户。
- 有通向室外的抽油烟机。抽油烟机的最小排风量: 总输出功率每千瓦 15 m<sup>3</sup>/h。

### 注意!

此电器未连接到烟道。必须按照安装条件对其进行连接和投入运行。请勿将电器连接到烟气出口。必须遵守通风设备规范。

安装系统必须采用触点间隙最小为 3 mm 的全针隔离开关，或者将电器通过安全插头连接至电源。安装完成之后，插座必须仍然便于使用。

铭牌上的电压、燃气类型和燃气压力规格必须与当地电源、气源连接条件相符。

请勿缠绕或扭结电源线。

本电器属于三类电器 (适合安装在橱柜中)。必须按照安装图纸进行安装。电器后面的壁面必须由非易燃材料制成。

本电器不适合用外部定时器或外部遥控器操作。

不要将本电器安装在船上或车辆中。

## 准备橱柜(图 1)

橱柜的耐热能力必须至少达 90°C (大约 190°F)。在开孔切割完毕后，橱柜必须依然保持稳定。

如安装示意图所示，在台面上切割出一个或多个 Vario 电器的安装孔。切割表面和台面之间的角度必须等于 90°。

各开孔边缘必须超过 20 mm 厚、切割整齐，确保电器上的止动弹簧妥当固定。在层压板台面中，有必要在开孔侧面安装填充条。

切割完成后，清除切屑。密封切割表面，做到耐热、防水。

注意电器的下侧与橱柜间距最小为 10 mm。

使用适当的支承面结构，确保承载力和稳定性，在台面较薄的情况下尤其如此。注意电器及负载的重量。所用的加固材料必须耐热、耐潮。

使用适当的支承面结构，确保承载力和稳定性，在台面较薄的情况下尤其如此。注意电器及负载的重量。所用的加固材料必须耐热、耐潮。

请确保灶具下方橱柜与大气之间满足通风要求，橱柜通风口面积不小于 100 cm<sup>2</sup>，否则可能在恶劣情况下造成泄漏燃气沉积而引起爆炸。

**提示:** 将电器安装在安装孔中之后，检查电器是否水平。

## 安装电器

将电器稳稳地插入开孔中。用力推入开孔。

**提示:** 电器必须固定在开孔中不可移动 (例如，在清洁过程中)。如果开孔的宽度已达公差的上限，可在开孔的侧面安装板条 (如有必要)。

## 拆除电器

断开电器电源和气源。从下方推出电器。

### 注意!

有损坏危险! 不要从上面用撬杆撬出电器。

## 燃气连接

必须以此种方式排列燃气连接才能方便地操作切断阀。

电器随附 2 个连接弯头 (电器侧方 G<sup>1/2</sup> 处)。根据不同的国家选择合适的型号:

- G 1/2 GB/T 7307 圆柱螺纹
- R 1/2 GB/T 7306 锥管螺纹

使用其中一种提供的连接弯头和相应的密封件将电器连接到固定连接线缆或燃气安全软管。

使用天然气的燃气灶具，应使用金属波纹管进行连接。

如果燃气安全软管不是 (或仅部分) 由金属制成，则环境温度不得超过 90 °C。如果燃气安全软管完全由金属制成，则允许的环境温度为 115 °C。

以这种方式布置燃气安全软管，以便其不会与安装的橱柜的活动部件相接触 (例如抽屉)。

## 电气连接

检查并确认电器的电压和频率与电气安装系统一致。

根据型号，灶具在交货时带有电源线，带或不带插头。

只能将电器连接至按照规定安装和接地的插座上。

电器对应于类型 X: 如果电源线损坏，必须使用由制造商或其服务代理提供的专用线缆或总成更换。

## 技术参数

(天然气) 连接的总负载:

9.6 kW (Hi) (炒锅 5.2 kW, 后方 2.7 kW, 前方 1.7 kW)

(电) 连接的总负载: 10.0 W

电压: 220 V

频率: 50 Hz

燃气种类: 12T

压力: 2000 Pa

尺寸 (WxDxH): 581 x 512 x 148 mm

原产地: 法国

经销商: 博西家用电器 (中国) 有限公司





