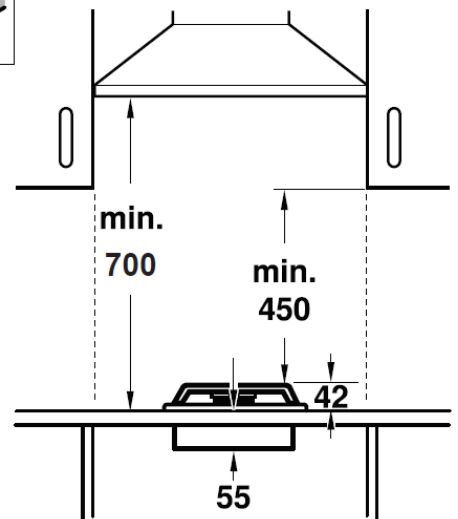
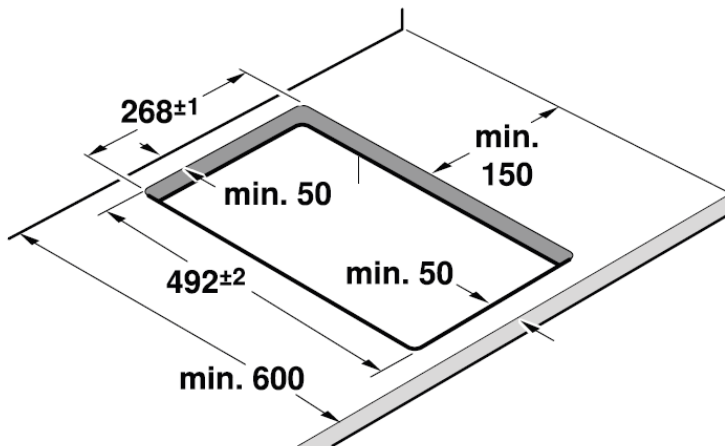
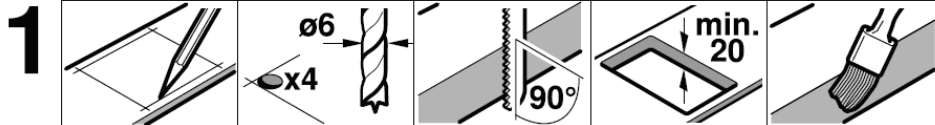
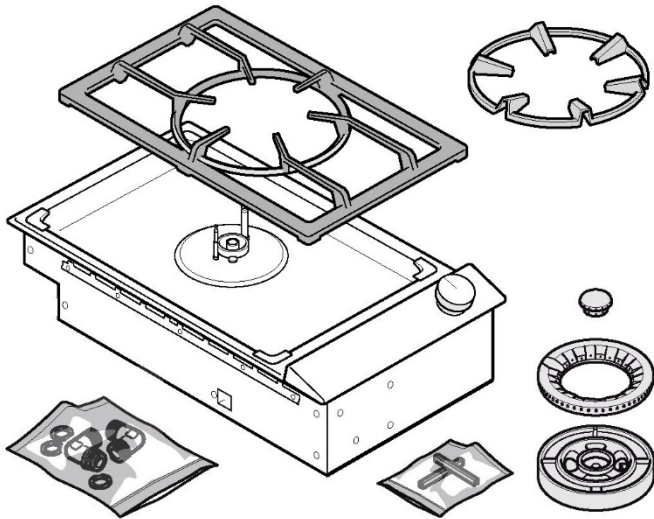
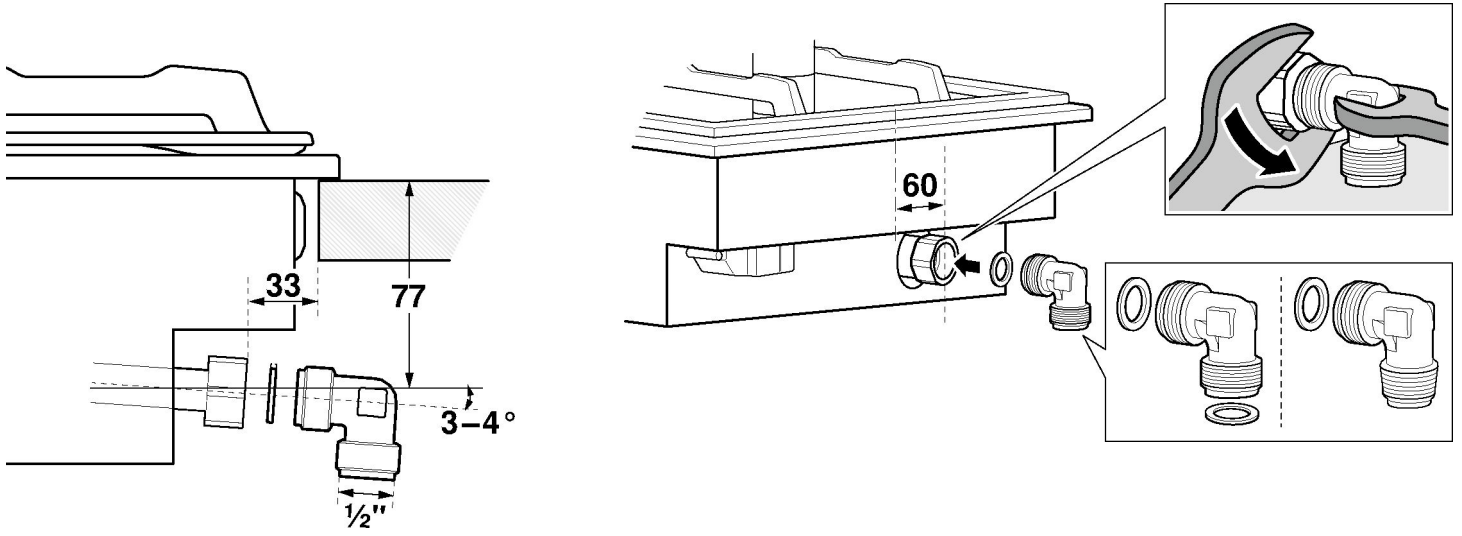




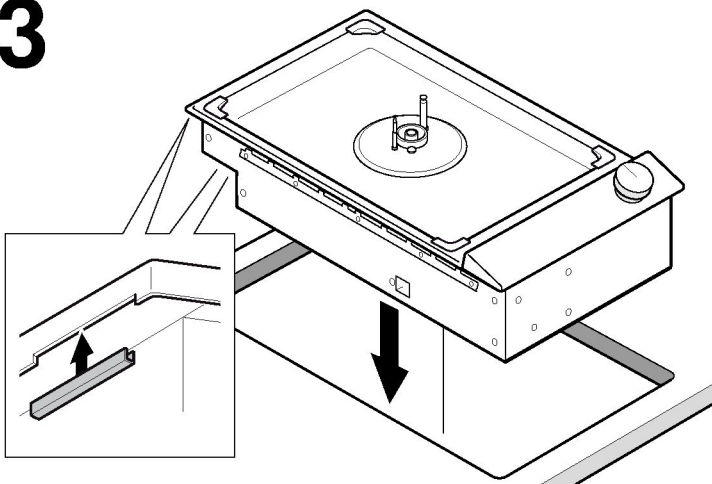
VG231320HK

en  
zh-hkInstallation instructions  
安裝說明

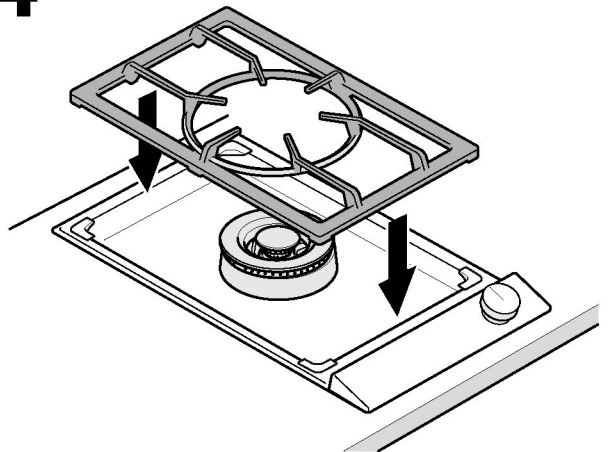
# 2

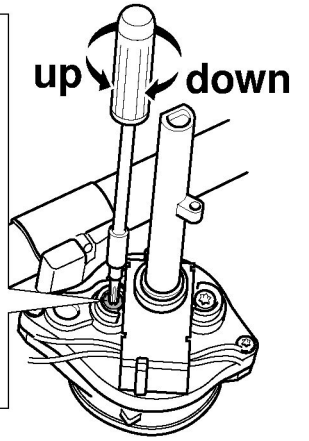
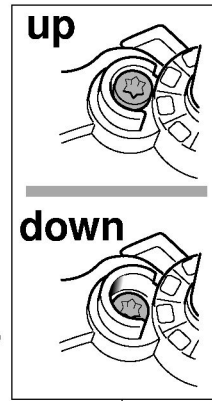
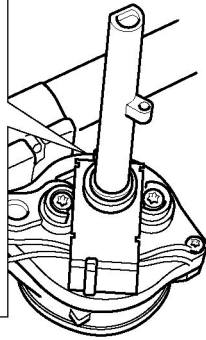
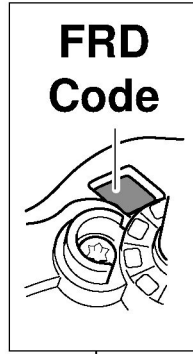
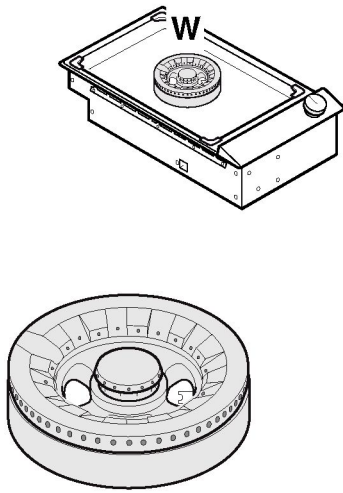


# 3

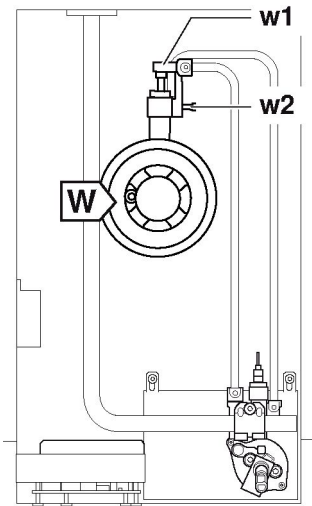


# 4





<b>W</b>	<b>w1</b>	<b>w2</b>	<b>L</b>	<b>FRD-Code</b>	<b>M</b>	<b>Qn</b>
Town Gas (HK) 15 mbar 煤氣 (香港)	360	97	-1 mm	MZ	up	6.0 kW



**Important notes**

Read these instructions carefully and keep them in a safe place. Safety during use can only be ensured if the appliance is fitted correctly according to these installation instructions. The installer is responsible for ensuring that the appliance operates perfectly at the point of installation.

**Attention!**

**According to the Gas Safety Ordinance of Hong Kong, any gas installation works including the installation of appliances and connection tubing, must be undertaken by registered gas installers who are registered for that appropriate classes and be employed by registered gas contractors.**

**Use approved gas tubing bearing EMSD approval marking (example: 機電工程署批准 EMSD APPROVAL GTXXXX) for connection to appliances or other appropriate methods accepted by EMSD.**

Appliance must not be converted to another type of gas.

Before carrying out any type of work, turn off the electricity and gas supply.

For installation, currently applicable building regulations and the regulations of local electricity and gas suppliers must be observed. The operating pressure of this appliance is 15 mbar. Therefore no external gas governor is required.

**⚠ Risk of gas escape!**

After connecting the appliance to the gas supply, always check the connection for leak tightness.

**Ensure sufficient air exchange in the room where the appliance is installed. Upto 11 kW total input:**

- Minimum volume of the room where appliance is installed: 20 m<sup>3</sup>
- A door leading to the open air or a window which can be opened.

**Upto 18 kW total input:**

- Minimum volume of the room where appliance is installed: 2 m<sup>3</sup> per kW total input.
- A door leading to the open air or a window which can be opened.
- An extraction hood into the open air. Minimum displacement volume of extraction hood: 15 m<sup>3</sup>/h per kW total input.

The installation system must incorporate an all-pin isolating switch with a contact opening of at least 3 mm, or the appliance should be connected to the mains via a safety plug. The plug must remain accessible after installation is complete.

Specifications on the rating plate showing voltage, type of gas and gas pressure must agree with the local mains connection conditions. Do not kink or trap the mains connection cable.

This appliance corresponds to appliance class 3 (for installation in a kitchen unit). It must be fitted according to the installation drawing. The wall behind the appliance must be made of nonflammable material.

This appliance is not intended for operation with an external timer or an external remote control.

Do not install this appliance on boats or in vehicles.

**Installation accessories**

VD 200 020	Black appliance cover
VV 200 010	Stainless steel connection strip for combining with other Vario 200 appliances
VV 200 020	Black connection strip for combining with other Vario 200 appliances

Only use the accessories as specified. The manufacturer accepts no liability if these accessories are used incorrectly.

**Preparing the units (Fig. 1)**

The kitchen unit must be heat-resistant to at least 90°C (about 190°F). The stability of the unit must be maintained after producing the cut-out.

Produce the cut-out in the worktop for one or more Vario appliances as shown in the installation sketch. The angle between the cut surface and the worktop must be 90°.

The cut edges at the sides must be more than 20 mm thick and even to ensure a good fit of the retaining springs on the appliance. In laminated worktops, it may be necessary to fit strips at the sides of the cut-out.

Remove shavings after cutting. Seal cut surfaces for resistance to

heat and so they are watertight.

Pay attention to a minimum gap of 10 mm from the underside of the appliance to kitchen units.

Use suitable base constructions to ensure load-carrying capacity and stability, especially in the case of thin worktops. Pay attention to the weight of the appliance, including any payload. Reinforcement material used must be resistant to heat and moisture.

**When fitting several Vario appliances:** allow for the additional space required for the connecting strip VV 200. Appliances can also be fitted in individual recesses, if a minimum clearance of 40 mm between the appliances is observed.

**Fitting the appliance**

1. Secure the appliance cover VD 200 020 (special accessory to be ordered separately) on the appliance before installation.
2. If the appliance is not being covered, seal the openings on the back of the appliance using the cover caps supplied.
3. Insert the appliance evenly into the cut-out. Push it down firmly into the cut-out.

**Note:** The appliance must sit fast in the cut-out and must not be able to move around (e.g. during cleaning). If the width of the cutout is at the upper tolerance limit, secure batten to the sides of the cut-out if necessary.

**Removing the appliance**

Disconnect the appliance from the power and the gas supply.

Push out the appliance from below.

**Caution!**

Risk of damage! Do not lever out the appliance from above.

**Gas connection**

The gas connection must be located in a position where the stop tap is accessible.

**According to the Gas Safety Ordinance of Hong Kong, any gas installation works including the installation of appliances and connection tubing, must be undertaken by registered gas installers who are registered for that appropriate classes and be employed by registered gas contractors.**

**Use approved gas tubing bearing EMSD approval marking (example: 機電工程署批准 EMSD APPROVAL GTXXXX) for connection to appliances or other appropriate methods accepted by EMSD.**

Using R1/2" (for appliance side) connection elbows provided, connect the appliance to the gas tubing. The gas tubing must be routed so that it does not come into contact with moving parts of the kitchen unit (e.g. drawers).

**Electrical connection**

Check the household wiring before connecting the appliance.

Ensure that there is sufficient fuse protection for the household wiring. The voltage and frequency of the appliance must match the electrical wiring (see rating plate).

The appliance corresponds to protection class I and must only be operated with a protective earth connection.

The wiring must have an all-pole isolating switch with a contact gap of at least 3 mm, or the appliance must be connected via an earthed plug. This must still be accessible once the appliance has been installed.

We recommend installing a socket equipped with protective-earth contacts behind the appliance, approximately 70 cm above the floor, in accordance with regulations.

Only a qualified electrician may install a socket, taking the appropriate regulations into account.

The appliance must only be connected using the power cable provided.

Do not kink or trap the connection cable, or route it over hot surfaces.

This is a type X appliance: If the power cable of this appliance becomes damaged, it must be replaced with a special connection cable which is available from the manufacturer or the manufacturer's after-sales service.

**Technical data**

Gas type: Hong Kong Town Gas (15 mbar)

Total connected load VG231320HK: 6.0 kW

Voltage and frequency: 220-240 V, 50/60 Hz

Electrical nominal power: 10.0 W

## 重要注意事項

請詳讀這些指示，並保存在安全之處。只有在依照安裝指示正確安裝爐具，才能確保使用時安全無虞。安裝者須負責確保爐具在安裝位置運作正常。

### 注意！

根據香港氣體安全條例，任何氣體裝置工程，包括爐具和接駁喉管的安裝，必須由註冊氣體裝置技工執行，而該技工已於相關的氣體工程類別註冊及受聘於註冊氣體工程承辦商。

使用認可印有機電工程署批准標記（例如：機電工程署批准 **EMSD APPROVAL GTXXXX**）的氣體接駁喉管連接爐具，或使用機電工程署接納的其他恰當方法。

切勿轉用其他氣體。

在進行任何工作之前請先關閉電源及煤氣供給。

安裝時，請遵守適用之建築條例以及當地電力及煤氣公司的相關規定。

這個爐具的操作壓力為 15 毫巴，因此不需要外置氣體穩壓器。

### △煤氣外洩風險！

爐具連接煤氣供給後，請檢查是否有外洩之慮。

請確保爐具安裝環境的通風條件。最大總熱負荷：11kW

- 爐具安裝處室內最小空間為：20 m<sup>3</sup>

- 通向室外可以打開的門或窗戶。

最大總熱負荷：18kW

- 爐具安裝處室內最小空間為：每千瓦總熱負荷2 m<sup>3</sup>。

- 通向室外可以打開的門或窗戶。

- 通往室外的抽油煙機。抽油煙機最小排量：每千瓦總熱負荷15 m<sup>3</sup>/h

安裝系統必須備有一個全極隔離開關，且接觸距離至少間隔 3 mm，或是利用安全插頭將本爐具連接到主電源。安裝完成後必須仍能使用此插頭。

額定銘牌上的爐具資料、氣體類型與氣體壓力必須符合當地主電源連接條件。

請勿彎曲或卡住主電源連接線。

本爐具符合爐具等級 3 (適合安裝在廚房櫥櫃)。務必根據安裝圖示進行安裝。在爐具後方的壁面必需為不可燃材質。

本爐具不適合與外部計時器或遙控操作搭配使用。

請不要將本爐具安裝在船隻或運輸工具上。

## 安裝配件

VD 200 020	黑色爐具蓋
VV 200 010	不鏽鋼連接條，可用於和其他 Vario200 爐具組合
VV 200 020	黑色連接條，可用於和其他 Vario 200 爐具組合

請勿使用指定配件以外的物品。若這些配件使用不正確，製造商將不對此負起任何責任。

## 準備工作 (圖 1)

廚房櫥櫃的耐熱度必須達到 90° C (約 190°F)。完成裁切後，必須確保櫥櫃仍然穩固。

按照安裝圖，為一或多個 Vario 爐具在工作檯上進行裁切。切口表面和工作檯之間的角度必須呈 90°。

側邊的切口厚度必須超過 20 毫米而平整，以確保能安裝至爐具的固定彈簧。如果是夾板工作檯，可能需要在切口的側面加上邊條。切割完成後，請清理所有碎屑。把所有切割表面密封以達成耐熱與防水效果。

請注意爐具與廚房櫥櫃內側必須要有 10 毫米的距離。

請使用合適的基底以確保承重份量以及穩定性，尤其是安裝在薄工作檯時。請注意爐具重量包含任何淨載重量。加固所使用的材料必須有耐熱和防潮功能。

**安裝不同的 Vario 爐具：**請為連接線 VV 200 挪出額外空間。可以在獨立凹槽安裝爐具，爐具間的最少距離需維持 40 釐米。

## 安裝抽油煙機

1. 安裝前，請先固定爐具蓋 VD 200 020 (此特殊配件須另行購買)。
2. 若爐具未加蓋，請使用爐具提供的蓋子封住後方開口。

3. 把爐具平均地放入切割的部份中。向下推壓，將它穩固地推入切割的部

**提示：**必須把爐具穩固地放入切割部份中，而且爐具必須完全固定無法移動（例如在清潔時）。若裁切部份的闊度達到可容納範圍的上限，如有需要請在裁切部份的兩側加上邊條。

## 拆除爐具

切斷爐具的電源與煤氣供應。從下面把爐具向上推。

### 注意！

損害風險！請勿從上方將爐具撬開。

## 氣體連接

### 注意！

根據香港氣體安全條例，任何氣體裝置工程，包括爐具和接駁喉管的安裝，必須由註冊氣體裝置技工執行，而該技工已於相關的氣體工程類別註冊及受聘於註冊氣體工程承辦商。

使用認可印有機電工程署批准標記（例如：機電工程署批准 **EMSD APPROVAL GTXXXX**）的氣體接駁喉管連接爐具，或使用機電工程署接納的其他恰當方法。

使用提供的 R<sup>1</sup>/<sub>2</sub>" 彎頭將爐具連接至煤氣軟喉。鋪設煤氣軟喉時，不要讓煤氣軟喉接觸櫥櫃的移動部件（例如抽屜）。

## 電源接頭

連接爐具前，請先檢查室內線路。請確保家居線路具備足夠的保險絲保護裝置。爐具的電壓和頻率必須與電線的線路相符（請參閱標牌）。

本爐具符合保護等級 I，必須在有保護式地線的連接下操作。

線路上必須備有一個全極隔離開關，並至少有 3 毫米的接觸間距，或必須透過接地插頭連接。爐具安裝完成後必須仍可觸及。

我們建議您在爐具後方約離地板 70 厘米的高度，依規定安裝一個保護式接地的插座。

只有合資格的爐具技術人員才可以安裝插座，而且必須遵守相關法規。

本爐具必須使用隨附的電線連接電源。

請勿彎曲或卡住連接線，或將電源連接線放在高溫的表面上。

此為 X 型爐具：如果爐具的電線受損，必須更換從製造商或售後服務中心購買的特殊電線。

## 技術規格

氣體類型：香港煤氣 (15 毫巴)

連接的總負載量 VG231320HK: 6.0kW

電壓和頻率：220-240V, 50/60 Hz

電力額定功率：10.0W





**BSH Hausgeräte GmbH**  
Carl-Wery-Straße 34  
81739 München, GERMANY  
[www.gaggenau.com](http://www.gaggenau.com)

**GAGGENAU**



9001408870 en, zh-hk (021024)