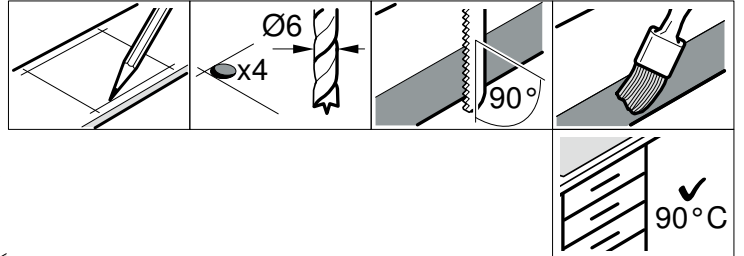
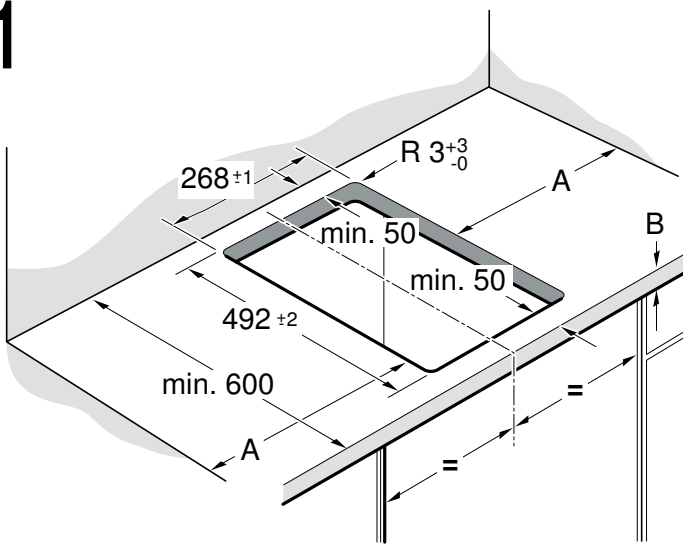
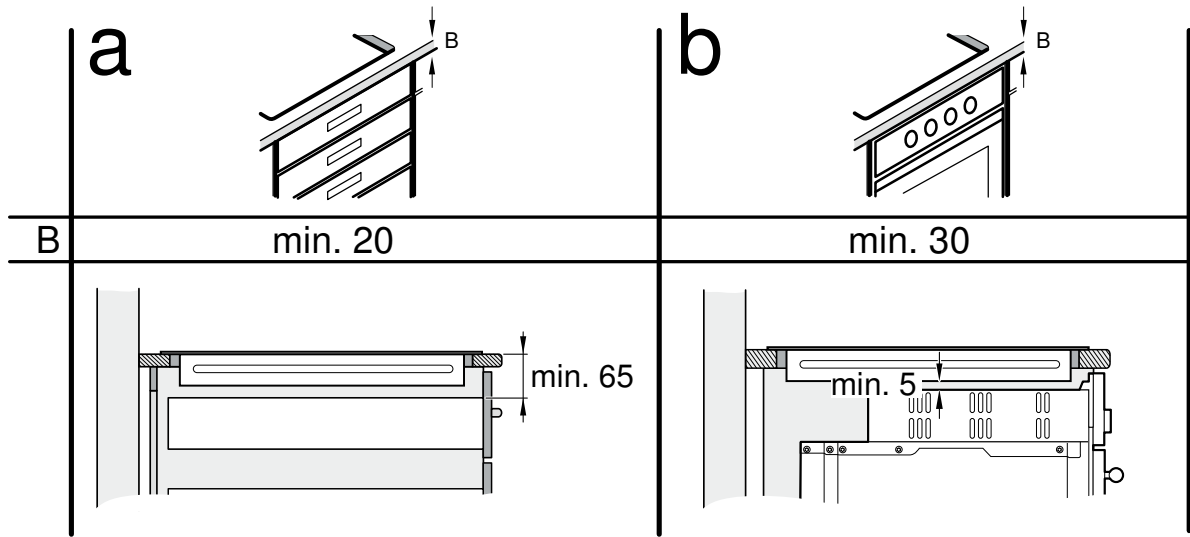


1

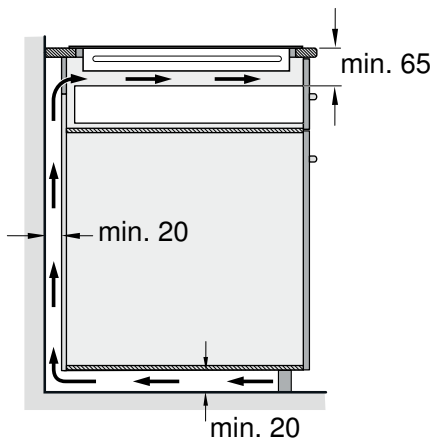


A = min. 40

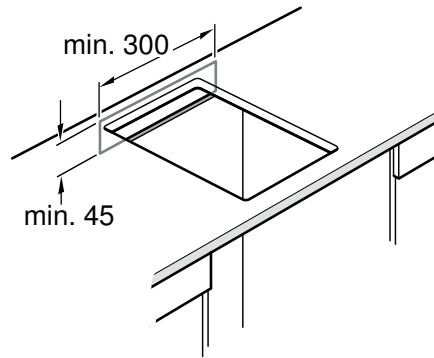
2



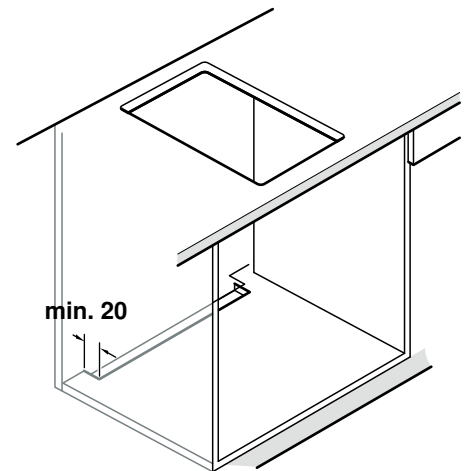
3a



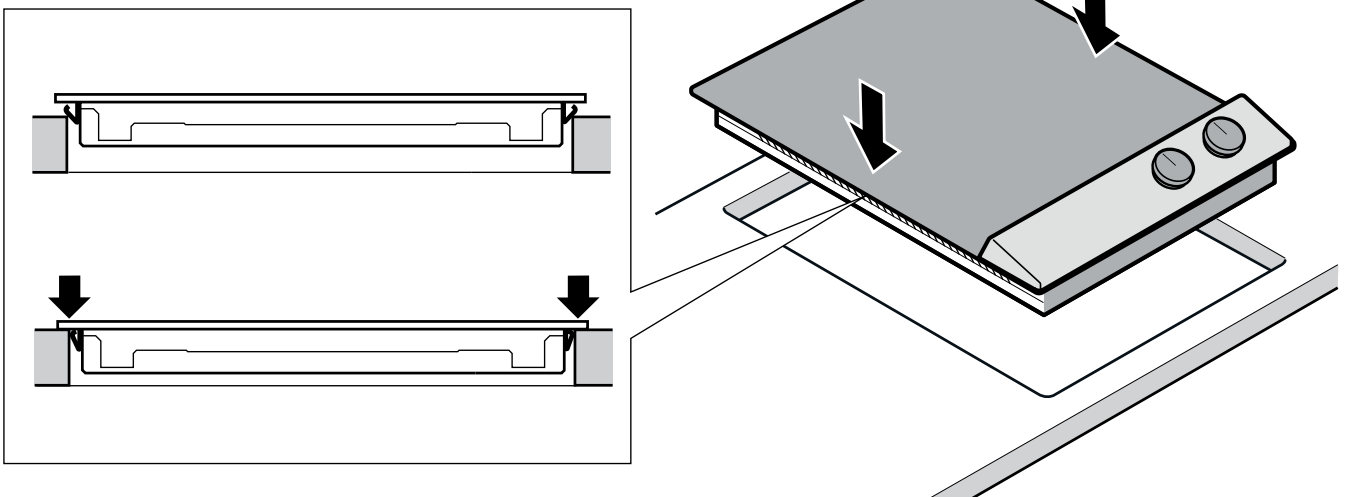
3b



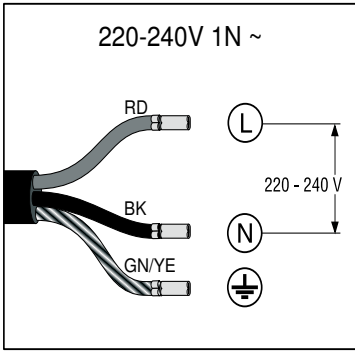
3c



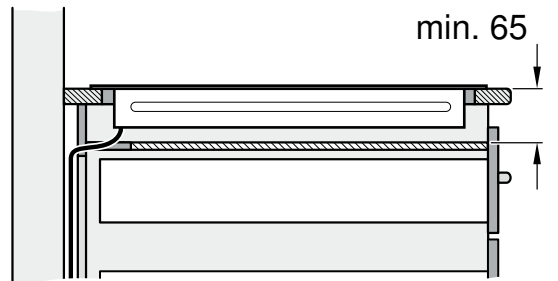
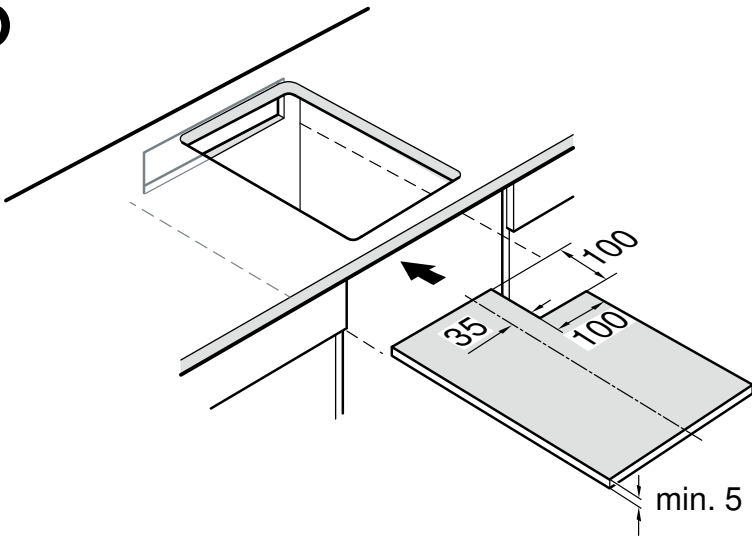
4



5



6



Important notes

Safety: Safety in use is only guaranteed if the technical installation of the hob has been carried out correctly and in accordance with the assembly instructions. The installation technician shall be liable for any damage caused as a result of unsuitable installation. Once the appliance is installed, make sure that the user cannot access the electrical components.

This appliance is only permitted for use at heights up to 4000 metres.

⚠ Wearers of electronic implants!

The appliance may contain permanent magnets which may affect electronic implants, e.g. heart pacemakers or insulin pumps. Therefore, during installation, wearers of electronic implants must maintain a minimum distance of 10 cm from the appliance.

Electric connection: Only by an authorised specialist technician. The guidelines set out by the local electricity provider must be observed.

The appliance must be connected to a fixed installation and appropriate isolating switches must be set up in accordance with the installation instructions.

Type of connection: The appliance falls under protection class I and can only be used in combination with a grounding conductor connection.

The manufacturer accepts no responsibility for any malfunction or damage caused by incorrect electrical installations.

Power cable: This may already be connected to the connection box on the hob or is supplied with the appliance. It must only be installed by an authorised expert or by a qualified member of the after-sales service team. The required connection data can be found on the type plate and in the connection diagram.

Use only the cable that is supplied with the appliance or is provided by technical after-sales service.

Installation below the worktop: The induction hob can only be installed above a set of drawers or a fan-ventilated oven. Refrigerators, dishwashers, washing machines or ovens without a ventilation system cannot be installed below the hob.

Extraction chimney: The clearance between the extraction chimney and the hob must at least match the clearance specified for the extraction chimney in the installation instructions.

Hob: flat, horizontal, stable. Follow the hob manufacturer's instructions.

- The worktop into which you install the hob should be able to withstand loads of approx. 60 kg. If necessary, strengthen the worktop with temperature and water-resistant material.
- Only check the evenness of the hob after it has been installed.

Warranty: an unsuitable installation, connection or assembly will invalidate the product warranty.

Note: Any change to the appliance's interior, including changing the power cable, must only be performed by specially trained members of the Technical Assistance Service.

Installation accessories

VD 200 020	Black appliance cover
VV 200 010	Stainless steel connection strip for combining with other Vario 200 appliances
VV 200 020	Black connection strip for combining with other Vario 200 appliances

Only use the accessories as specified. The manufacturer accepts no liability if these accessories are used incorrectly.

Preparing the cupboard, figure 1/2/3

Built-in kitchen units: Minimum temperature resistance of 90 °C.

Gap: Remove any shavings after performing cutting work.

Cut surfaces: Seal with heat resistant material.

When fitting several Vario appliances: allow for the additional space required for the connecting strip VV 200. Appliances can also be fitted in individual recesses, if a minimum clearance of 40 mm between the appliances is observed.

Assembly over drawer, figure 2a

Worktop: Must have a minimum thickness of 20 mm.

Ventilation: The clearance between the surface of the worktop and the upper area of the drawer must be 65 mm.

Note: Only use a wooden intermediate shelf if metal objects in the drawer reach high temperatures due to the recirculating air from the hob's ventilation (**figure 6**).

Assembly over oven, figure 2b

Worktop: must have a minimum thickness of 30 mm.

Note: If the distance between the hob and oven must be increased, refer to the installation instructions for the oven.

Ventilation: The distance between the oven and the hob must be at least 5 mm.

Note: A wooden separation board must be used if the hob is installed above an oven made by a different manufacturer (**fig. 6**).

Ventilation, figure 3

To guarantee that the appliance works correctly, the hob must be sufficiently ventilated.

Since the ventilation in the lower section of the appliance requires a sufficient supply of fresh air, the cupboards must be designed accordingly. The following is required for this:

- A minimum clearance between the rear of the cupboard and the kitchen wall, and between the surface of the worktop and the upper area of the drawer (**figure 3a**).
- An opening at the top to the rear of the cupboard (**Figure 3b**).
- If the minimum clearance of 20 mm is not provided at the rear of the cupboard, you must create an opening on the underside (**figure 3c**).

Notes

- If the appliance is installed in an island unit or in another location that is not described here, appropriate ventilation of the hob must be guaranteed.
- Do not hermetically seal the lower base.

Installing the appliance, figures 4/5

Note: Wear protective gloves to fit the hob. The non-visible surfaces may have sharp edges.

Installing the hob, figure 4

Insert the appliance evenly into the cut-out.

- Do not trap the mains cable and do not route it over sharp edges. If the oven is a built-under type, route the cable on the rear corners of the oven to the socket. The line must be installed in such a way that it does not come into contact with any hot sections of the hob or the oven.
- For tiled work surfaces: Seal the tile joints with silicone rubber.

Connecting the appliance, figure 5

- Voltage: See the rating plate.
- Only connect as shown in the circuit diagram:
BN: Brown
BU: Blue
GN/YE: Yellow and green

Uninstalling the appliance

Disconnect the appliance from the mains.

Push the hob upwards from below to remove it.

Caution!

Damage to the appliance! Do not try to remove the appliance by prying it out from above.