

**Gaggenau**

Information for Use

**RW404..**

Wine cooler

**Further information and explanations are available online:**



## Table of contents

<b>1 Safety .....</b>	<b>4</b>	7.4 Setting the temperature.....	13
1.1 General information.....	4	7.5 Lock.....	13
1.2 Intended use.....	4	7.6 Display brightness.....	14
1.3 Restriction on user group.....	4	<b>8 Additional functions .....</b>	<b>14</b>
1.4 Safe transport.....	4	8.1 Interior lighting.....	14
1.5 Safe installation .....	5	8.2 Presentation mode .....	14
1.6 Safe use .....	6	8.3 Ventilation .....	14
1.7 Damaged appliance.....	7	8.4 Display brightness.....	15
<b>2 Preventing material damage .....</b>	<b>9</b>	<b>9 Alarm.....</b>	<b>15</b>
<b>3 Environmental protection and saving energy.....</b>	<b>9</b>	9.1 Door alarm .....	15
3.1 Disposing of packaging .....	9	9.2 Temperature alarm.....	15
3.2 Saving energy.....	9	<b>10 Wine storage compartment ....</b>	<b>15</b>
<b>4 Installation and connection.....</b>	<b>9</b>	10.1 Arranging the maximum number of standard bottles...	15
4.1 Scope of delivery.....	9	10.2 Tips for storing wine.....	16
4.2 Criteria for the installation location.....	10	10.3 Drinking temperatures.....	16
4.3 Installing the appliance .....	10	<b>11 Defrosting.....</b>	<b>17</b>
4.4 Preparing the appliance for the first time.....	10	11.1 Defrosting in the wine storage compartment.....	17
4.5 Connecting the appliance to the electricity supply.....	10	<b>12 Cleaning and servicing.....</b>	<b>17</b>
<b>5 Familiarising yourself with your appliance.....</b>	<b>11</b>	12.1 Care instructions for stainless steel surfaces.....	17
5.1 Appliance .....	11	12.2 Preparing the appliance for cleaning .....	17
5.2 Control panel.....	12	12.3 Cleaning the appliance .....	17
<b>6 Features .....</b>	<b>13</b>	12.4 Cleaning the condensation channel and drainage hole ...	18
6.1 Extendable bottle shelf.....	13	12.5 Cleaning the ventilation grille.....	18
6.2 Odour filter .....	13	12.6 Removing the fittings.....	18
<b>7 Basic operation .....</b>	<b>13</b>	12.7 Replacing the odour filter.....	19
7.1 Switching on the appliance ....	13		
7.2 Operating tips.....	13		
7.3 Switching off the appliance ....	13		

<b>13 Troubleshooting.....</b>	<b>20</b>
<b>14 Storage and disposal.....</b>	<b>22</b>
14.1 Taking the appliance out of operation .....	22
14.2 Disposing of old appliance ...	22
<b>15 Customer Service.....</b>	<b>22</b>
15.1 Product number (E-Nr.) and production number (FD).....	23
<b>16 Technical data .....</b>	<b>23</b>



# 1 Safety

---

Observe the following safety instructions.

## 1.1 General information

- Read this instruction manual carefully.
- Keep the instruction manual and the product information safe for future reference or for the next owner.
- Do not connect the appliance if it has been damaged in transit.

## 1.2 Intended use

This appliance is only intended to be fitted under a counter.

Only use this appliance:

- For storing wine.
- in private households and in enclosed spaces in a domestic environment.
- Up to an altitude of 1500 m above sea level.

## 1.3 Restriction on user group

This appliance may be used by children aged 8 or over and by people who have reduced physical, sensory or mental abilities or inadequate experience and/or knowledge, provided that they are supervised or have been instructed on how to use the appliance safely and have understood the resulting dangers.

Do not let children play with the appliance.

Cleaning and user maintenance must not be performed by children unless they are being supervised.

Children above the age of three years old and younger than eight years old may load and unload the the fridge-freezer.

## 1.4 Safe transport

### **WARNING – Risk of injury!**

The heavy weight of the appliance may result in injury when lifted.

- ▶ Do not lift the appliance on your own.

## 1.5 Safe installation

### **⚠ WARNING – Risk of electric shock!**

Incorrect installation is dangerous.

- ▶ Connect and operate the appliance only in accordance with the specifications on the rating plate.
- ▶ Connect the appliance to a power supply with alternating current only via a properly installed socket with earthing.
- ▶ The protective conductor system of the domestic electrical installation must be properly installed.
- ▶ Never equip the appliance with an external switching device, e.g. a timer or remote control.
- ▶ When the appliance is installed, the mains plug of the power cord must be freely accessible. If free access is not possible, an isolating switch must be integrated into the permanent electrical installation according to the installation regulations.
- ▶ When installing the appliance, check that the power cable is not trapped or damaged.

If the insulation of the power cord is damaged, this is dangerous.

- ▶ Never let the power cord come into contact with heat sources.

### **⚠ WARNING – Risk of explosion!**

If the appliance's ventilation openings are closed off, a leak in the refrigeration circuit may result in a flammable mixture of gas and air.

- ▶ Keep ventilation openings in the appliance casing or in the integrated casing clear of obstruction.

### **⚠ WARNING – Risk of fire!**

It is dangerous to use an extended power cord and non-approved adapters.

- ▶ Do not use extension cables or multiple socket strips.
- ▶ Only use adapters and power cords approved by the manufacturer.
- ▶ If the power cord is too short and a longer one is not available, please contact an electrician to have the domestic installation adapted.

Portable multiple socket strips or portable power supply units may overheat and cause a fire.

- ▶ Do not place portable multiple socket strips or power supply units on the back of the appliance.

## 1.6 Safe use

### **WARNING – Risk of electric shock!**

An ingress of moisture can cause an electric shock.

- ▶ Only use the appliance in enclosed spaces.
- ▶ Never expose the appliance to intense heat or humidity.
- ▶ Do not use steam- or high-pressure cleaners to clean the appliance.

### **WARNING – Risk of suffocation!**

Children may put packaging material over their heads or wrap themselves up in it and suffocate.

- ▶ Keep packaging material away from children.
  - ▶ Do not let children play with packaging material.
- Children may breathe in or swallow small parts, causing them to suffocate.
- ▶ Keep small parts away from children.
  - ▶ Do not let children play with small parts.

### **WARNING – Risk of explosion!**

If the cooling circuit is damaged, flammable refrigerant may escape and explode.

- ▶ To accelerate the defrosting process, do not use any other mechanical devices or means other than those recommended by the manufacturer.

Products which contain flammable propellants and explosive substances may explode, e.g. spray cans.

- ▶ Do not store products which contain flammable propellants (e.g. spray cans) or explosive substances in the appliance.

**⚠️ WARNING – Risk of fire!**

Electrical devices within the appliance may cause a fire, e.g. heaters or electric ice makers.

- ▶ Do not operate electrical devices within the appliance.

**⚠️ WARNING – Risk of injury!**

Injury to the eyes caused by escaping flammable refrigerant and hazardous gases.

- ▶ Do not damage the tubes of the refrigerant circuit or the insulation.

**1.7 Damaged appliance****⚠️ WARNING – Risk of electric shock!**

If the appliance or the power cord is damaged, this is dangerous.

- ▶ Never operate a damaged appliance.
- ▶ Never pull on the power cord to unplug the appliance. Always unplug the appliance at the mains.
- ▶ If the appliance or the power cord is damaged, immediately unplug the power cord or switch off the fuse in the fuse box.
- ▶ Call customer services. → *Page 22*

Improper repairs are dangerous.

- ▶ Repairs to the appliance should only be carried out by trained specialist staff.
- ▶ Only use genuine spare parts when repairing the appliance.
- ▶ If the power cord of this appliance is damaged, it must be replaced by the manufacturer, the manufacturer's Customer Service or a similarly qualified person in order to prevent any risk.

**⚠️ WARNING – Risk of fire!**

If the tubes are damaged, flammable refrigerant and harmful gases may escape and ignite.

- ▶ Keep naked flames and ignition sources away from the appliance.
- ▶ Ventilate the room.

**en** Safety

- ▶ Switch off the appliance. → *Page 13*
- ▶ Unplug the mains plug from the mains or switch off the circuit breaker in the fuse box.
- ▶ Call customer service. → *Page 22*



---

## 2 Preventing material damage

### ATTENTION!

Using the base, runners or appliance doors as a seat surface or climbing surface may damage the appliance.

- ▶ Do not stand or support yourself on the base, runners or doors.

Contamination with oil or fat may cause plastic parts and door seals to become porous.

- ▶ Keep plastic parts and door seals free of oil and grease.

If you clean fittings and accessories in the dishwasher, this may cause them to become deformed or discoloured.

- ▶ Never clean fittings and accessory in the dishwasher.

---

## 3 Environmental protection and saving energy

### 3.1 Disposing of packaging

The packaging materials are environmentally compatible and can be recycled.

- ▶ Sort the individual components by type and dispose of them separately.

### 3.2 Saving energy

If you follow these instructions, your appliance will use less power.

#### Selecting the installation location

- Keep the appliance out of direct sunlight.
- Install the appliance as far away as possible from heating elements, cookers and other heat sources:

- Maintain a 30 mm clearance to electric or gas cookers.
- Maintain a 300 mm clearance to oil or solid-fuel cookers.
- Never cover or block the exterior ventilation grilles.

#### Saving energy during use

**Note:** The arrangement of the fittings does not affect the energy consumption of the appliance.

- Open the appliance only briefly and then close it carefully.
- Never cover or block the interior ventilation openings or the exterior ventilation grilles.

---

## 4 Installation and connection

### 4.1 Scope of delivery

After unpacking all parts, check for any transport damage and for completeness of delivery.

If you have any complaints, contact your dealer or our after-sales service → *Page 22*.

The delivery consists of the following:

- Built-under appliance

## en Installation and connection

- Equipment and accessories<sup>1</sup>
- Installation instructions
- User manual
- Customer service directory
- Warranty enclosure<sup>2</sup>
- Energy label
- Information on energy consumption and noises

### 4.2 Criteria for the installation location

#### **WARNING** **Risk of explosion!**

If the appliance is in a space that is too small, a leak in the refrigeration circuit may result in a flammable mixture of gas and air.

- ▶ Only install the appliance in a space with a volume of at least 1 m<sup>3</sup> per 8 g refrigerant. The volume of refrigerant is indicated on the rating plate. → "Appliance", Fig. **1/4**, Page 11

The weight of the appliance ex works may be up to 60 kg depending on the model.

The subfloor must be sufficiently stable to bear the weight of the appliance.

This refrigerator is intended for use at ambient temperatures of 10 °C to 38 °C.

The appliance is fully functional within the permitted room temperature.

If the appliance is operated at colder room temperatures, the appliance will not be damaged up to a room temperature of 5 °C.

### 4.3 Installing the appliance

- ▶ Install the appliance in accordance with the enclosed installation instructions.

### 4.4 Preparing the appliance for the first time

1. Remove the informative material.
2. Remove the protective foil and transit bolts, e.g. remove the adhesive strips and carton.
3. Clean the appliance for the first time. → Page 17

### 4.5 Connecting the appliance to the electricity supply

1. Insert the mains plug of the appliance's power cable in a socket nearby.  
The connection data of the appliance can be found on the rating plate. → "Appliance", Fig. **1/4**, Page 11
  2. Check the mains plug is inserted properly.
- ✓ The appliance is now ready for use.

---

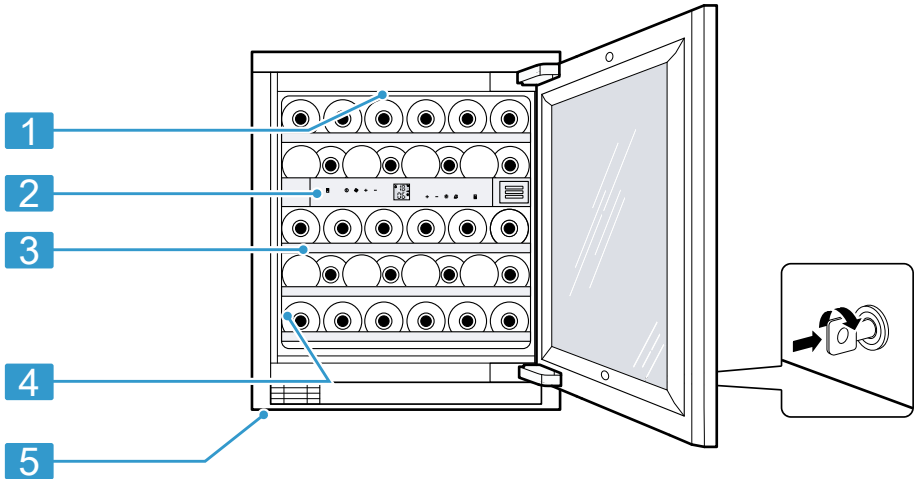
<sup>1</sup> Depending on the appliance specifications

<sup>2</sup> Not in all countries

## 5 Familiarising yourself with your appliance

### 5.1 Appliance

You can find an overview of the parts of your appliance here.



**1** Deviations between your appliance and the diagrams may differ with regard to their features and size.

---

**1** Interior lighting

---

**2** Control panel → *Page 12*

---

**3** Extendable bottle shelf  
→ *Page 13*

---



---

**4** Rating plate → *Page 23*

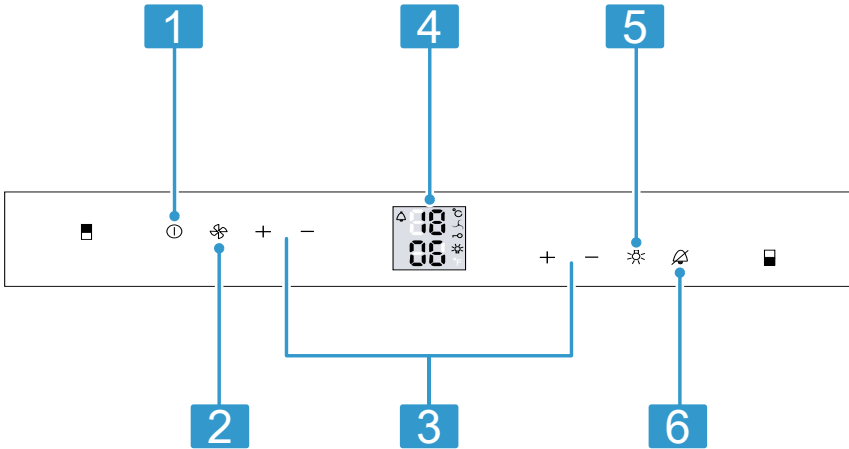
---

**5** Screw foot

---

## 5.2 Control panel

You can use the control panel to configure all functions of your appliance and to obtain information about the operating status.



### 2

**1** The main switch turns the appliance on or off.

**2** switches the fan on or off.

**3**  $-/+$  sets the temperature of the selected compartment.

**4** Displays the set temperature of the wine-storage compartment °C.

**5** switches the interior lighting on or off.

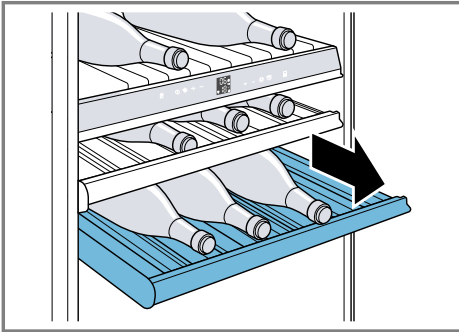
**6** switches the warning signal off.

## 6 Features

The features of your appliance depend on the model.

### 6.1 Extendable bottle shelf

In order to achieve an improved overview and to remove bottles more quickly, pull out the extendable bottle shelf.



### 6.2 Odour filter

The odour filter filters odours in the refrigerator compartment and can be replaced if necessary.

→ "Replacing the odour filter",  
Page 19

Change the odour filter every year. This keeps the filter quality permanently high.

## 7 Basic operation

### 7.1 Switching on the appliance

1. Press **⏻**.
- ✓ The appliance begins to cool.
2. Set the required temperature.  
→ Page 13

### 7.2 Operating tips

- Once you have switched on the appliance, the set temperature is only reached after several hours.
- When you close the door, a vacuum may be created. The door is then difficult to open again. Wait a moment until the vacuum is offset.
- The temperature in the appliance varies due to the following conditions:
  - How often the appliance is opened
  - Load capacity
  - Ambient temperature
  - Direct sunlight

### 7.3 Switching off the appliance

- ▶ Press **⏻**.

### 7.4 Setting the temperature

#### Setting the temperature of the wine storage compartment


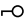
- ▶ Press **—/+** repeatedly until the temperature display shows the required temperature.

### 7.5 Lock





The button lock prevents the appliance from being operated accidentally or incorrectly while running.

#### Switching on the keylock

1. Press and hold **🔑** for 5 seconds.
  - ✓ "MENU" appears in the display and "c" flashes.
2. Press **🔑**.
  - ✓ The submenu display shows "c1".
3. Press **🔑**.
  - ✓ The submenu display shows "c" and **🔒** appears.

4. Press .
- ✓ The settings menu is exited.  shows the active keylock.

### Switching off the keylock

1. Press and hold  for 5 seconds.  - ✓ "MENU" appears in the display and "c" flashes.
2. Press .
  - ✓ The submenu display shows "c0".
3. Press .
  - ✓ The submenu display shows "c".
4. Press .
  - ✓ The settings menu is exited.







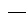



## 7.6 Display brightness

You can set the brightness of the display in stages.

**Note:** The set display brightness does not take effect when starting up the appliance until the interior temperatures set are reached.

h0	Minimum brightness
h5	Maximum brightness

### Setting the display brightness

1. Press and hold  for 5 seconds.  - ✓ "MENU" appears in the display and "c" flashes.
2. Press   until "h" lights up.
3. Press .
4. Press   /   until the setting display submenu shows the required setting.
5. Press .
  - ✓ The submenu display shows "h".
6. Press .
  - ✓ The settings menu is exited.

---

## 8 Additional functions

Find out which additional functions can be used for your appliance.

### 8.1 Interior lighting


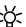
The interior lighting switches on automatically when you open the appliance.

**Tip:** If the interior lighting is switched on when the door is closed too, you can switch on the presentation mode.

### 8.2 Presentation mode

In presentation mode, the interior lighting is permanently switched on.



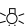





#### Switching on presentation mode

- ▶ Press .
- ✓  appears in the display. The interior lighting remains switched on, even if the appliance door is closed.

#### Switching off the presentation mode

- ▶ Press .

#### Setting the brightness of the presentation lighting



1. Press .
  - ✓  appears in the display.
2. Press and hold .
3. Press and hold   /   until the required brightness is reached.
4. Release .

### 8.3 Ventilation

The fan button should be switched on for the long-term storage of wine. This means that a climate that matches that of a wine cellar is

reached in the appliance interior. The increased humidity prevents the corks from drying out.

### Switching on the ventilation

- ▶ Press .
- ✓  appears on the display.








## 8.4 Display brightness

You can set the brightness of the display in stages.

**Note:** The set display brightness does not take effect when starting up the appliance until the interior temperatures set are reached.

h0	Minimum brightness
h5	Maximum brightness

### Setting the display brightness

1. Press and hold  for 5 seconds.
  - ✓ "MENU" appears in the display and "c" flashes.
2. Press  until "h" lights up.
3. Press .
4. Press / until the setting display submenu shows the required setting.
5. Press .
  - ✓ The submenu display shows "h".
6. Press .
  - ✓ The settings menu is exited.


---

## 9 Alarm

### 9.1 Door alarm

If the appliance door is open for a while, the door alarm switches on.

#### Switching off the door alarm

- ▶ Close the appliance door or press .
- ✓ The warning tone is switched off.

### 9.2 Temperature alarm

If the wine storage compartment is too warm or too cold for an extended period, the temperature alarm switches on.

#### Switching off the temperature alarm

- ▶ Press .
- ✓ The warning tone is switched off.

---

## 10 Wine storage compartment

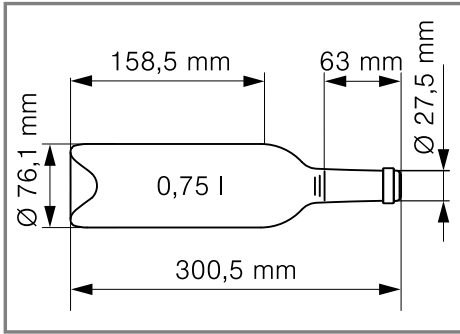
In the wine storage compartment, you store wine at a constant temperature.

You can set the temperature in the wine storage compartment from 5 °C to 20 °C.

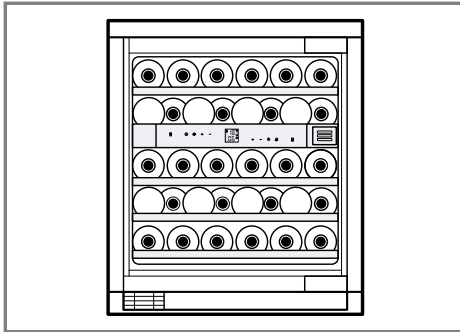
### 10.1 Arranging the maximum number of standard bottles

- ▶ To place the maximum number of bottles in the appliance, place wine bottles into the appliance laying down facing forwards and backwards alternately.

**en** Wine storage compartment



Standard bottle



Storage example with 34 standard bottles

## 10.2 Tips for storing wine

Note the following tips for storing wine.

- Do not store the wine bottles in crates or boxes in the appliance. The open bottle shelves allow for continuous air circulation. As a result, excess humidity is quickly removed.
- Before you enjoy your wine, you should slowly warm it to room temperature. Take rosé out of the appliance 2 to 5 hours before consuming, and take red wine out of the appliance 4 to 5 hours before consuming. Serve white wine immediately after taking it out of the appliance. Sparkling wine and

champagne should be chilled in the refrigerator for a short while before drinking.

- Always store wine a little cooler than its ideal serving temperature, as the wine warms up as soon as it is poured into the glass.

## 10.3 Drinking temperatures

The correct serving temperature is crucial for the taste of the wine.

Type of wine	Drinking temperature
Full-bodied red Bordeaux	18 °C
Côtes du Rhône red, Barolo	17 °C
Full-bodied red Burgundy, red Bordeaux	16 °C
Port	15 °C
Young red Burgundy	14 °C
Young red wines	12 °C
Young Beaujolais, all white wines with little residual sugar	11 °C
Old white wines, full-bodied Chardonnay	10 °C
Sherry	9 °C
Young white wines, from late vintage onward	8 °C
Loire, Entre-deux-Mers white wines	7 °C



---

## 11 Defrosting

### 11.1 Defrosting in the wine storage compartment

When the appliance is operating, condensation droplets or frost form on the rear panel of the wine storage compartment due to functional reasons. The back panel in the wine storage compartment defrosts automatically.

The condensation drains into the drainage hole via the condensation channel.

To ensure that the condensation can drain and odours do not form, observe the following information:

→ *"Cleaning the condensation channel and drainage hole", Page 18.*

---

## 12 Cleaning and servicing

To keep your appliance working efficiently for a long time, it is important to clean and maintain it carefully. Customer Service must clean inaccessible points. Cleaning by customer service can give rise to costs.

### 12.1 Care instructions for stainless steel surfaces

When taking care of and cleaning stainless steel surfaces, use only cleaning cloths and cleaning agents suitable for stainless steel.

#### Tips

- To prevent visible scratches, wipe the stainless steel surface in the direction of the grain.

- Suitable cleaning agents and cleaning cloths are available from our customer service, your dealer or on our website.

### 12.2 Preparing the appliance for cleaning

1. Switch off the appliance.  
→ *Page 13*
2. Disconnect the appliance from the power supply.  
Unplug the appliance from the mains or switch off the circuit breaker in the fuse box.
3. Take out all bottles and store them in a cool place.
4. Remove all fittings and accessories from the appliance.  
→ *Page 18*

### 12.3 Cleaning the appliance

#### **WARNING** **Risk of electric shock!**

An ingress of moisture can cause an electric shock.

- ▶ Do not use steam- or high-pressure cleaners to clean the appliance.

Liquid in the lighting or in the controls can be dangerous.

- ▶ The rinsing water must not drip into the lighting or controls.

#### **ATTENTION!**

Unsuitable cleaning products may damage the surfaces of the appliance.

- ▶ Do not use hard scouring pads or cleaning sponges.
- ▶ Do not use harsh or abrasive detergents.
- ▶ Do not use cleaning products with a high alcohol content.

If liquid gets into the drainage hole, the evaporation pan may overflow.

- ▶ The rinsing water must not get into the drainage hole.

If you clean fittings and accessories in the dishwasher, this may cause them to become deformed or discoloured.

- ▶ Never clean fittings and accessory in the dishwasher.

1. Prepare the appliance for cleaning.  
→ *Page 17*
2. Clean the appliance, the fittings, the accessories and the door seals with a dish cloth, lukewarm water and a little pH-neutral washing-up liquid.
3. Dry thoroughly with a soft, dry cloth.
4. Insert the fittings.
5. Electrically connect the appliance.  
→ *Page 10*
6. Switch on the appliance.  
→ *Page 13*

## 12.4 Cleaning the condensation channel and drainage hole

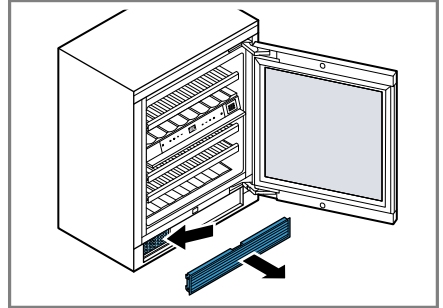
Regularly clean the condensation channel and drainage hole to ensure that the condensation can drain.

- ▶ Carefully clean the condensation channel and the drainage hole, e.g. using a cotton bud.



## 12.5 Cleaning the ventilation grille

1. Remove the exterior ventilation grille for cleaning.
  - Remove the exterior ventilation grille forwards.



2. Clean the exterior ventilation grille with lukewarm soapy water and a dish cloth.
3. Clean the dust filter with a vacuum cleaner.
4. Let the exterior ventilation grille dry completely and insert it.

## 12.6 Removing the fittings

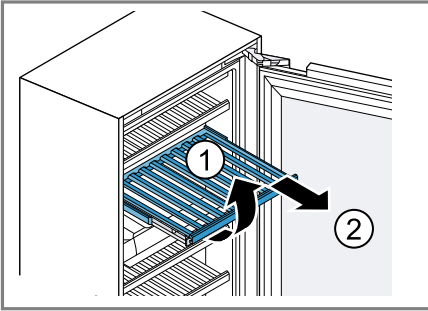
If you want to clean the fittings thoroughly, remove these from your appliance.

### Extendable bottle shelf

#### Removing the extendable bottle shelf

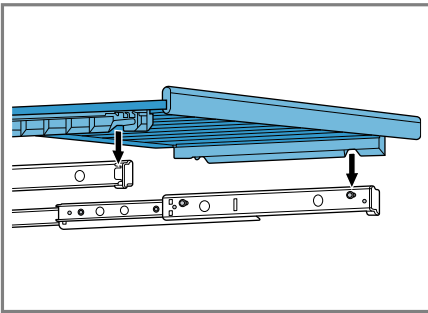
1. Pull out the extendable bottle shelf as far as it will go.

2. Lift the extendable bottle shelf at the front ① and remove it ②.



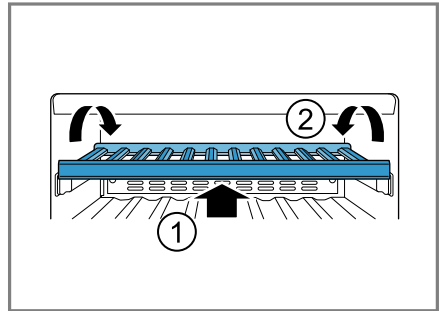
### Inserting the extendable bottle shelf

1. Pull out the pull-out rails fully and put the bottle shelf with the front recesses on the retaining bolt.



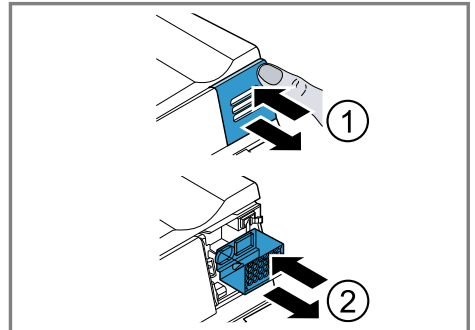
2. Slide the bottle shelf with the pull-out rails as far as it will go into the appliance.

3. Push the bottle shelf fully to the rear until it clicks into place at the front. Push the rear bottle shelf downwards and click it into place.



## 12.7 Replacing the odour filter

1. Push the odour filter cover, release it and remove it.
  2. Take the used odour filter out of the odour filter holder and replace it with the new odour filter.
  3. Insert the cover, push it in as far as it will go and release it.
- ✓ A clicking sound is heard. The cover is automatically locked.



**Note:** A new odour filter can be purchased from our customer service or our website.

## 13 Troubleshooting

You can rectify minor faults on your appliance yourself. Read the troubleshooting information before contacting after-sales service. This will avoid unnecessary costs.

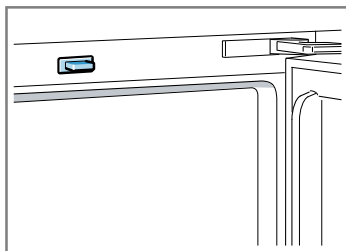
### **WARNING**

#### **Risk of electric shock!**

Improper repairs are dangerous.

- ▶ Repairs to the appliance should only be carried out by trained specialist staff.
- ▶ Only use genuine spare parts when repairing the appliance.
- ▶ If the power cord of this appliance is damaged, it must be replaced by the manufacturer, the manufacturer's Customer Service or a similarly qualified person in order to prevent any risk.

Fault	Cause and troubleshooting
Notification showing <b>F</b> or <b>F!</b> appears on the display.	The electronics have detected a fault. <ul style="list-style-type: none"> <li>▶ Call customer service.</li> </ul> The customer service number can be found in the enclosed customer service directory.
The appliance is not cooling, the displays and lighting are lit.	Showroom mode is switched on. <ul style="list-style-type: none"> <li>▶ Call customer service.</li> </ul> The customer service number can be found in the enclosed customer service directory.
The LED lighting does not work.	Different causes are possible. <ul style="list-style-type: none"> <li>▶ Call customer service.</li> </ul> The customer service number can be found in the enclosed customer service directory.
	The light switch is jammed. <ul style="list-style-type: none"> <li>▶ Check whether the light switch can be moved.</li> </ul>



<b>Fault</b>	<b>Cause and troubleshooting</b>
The temperature differs greatly from the setting.	<p>Different causes are possible.</p> <ol style="list-style-type: none"> <li><b>1.</b> Switch off the appliance. → <i>Page 13</i></li> <li><b>2.</b> Switch the appliance back on after five minutes. → <i>Page 13</i> <ul style="list-style-type: none"> <li>– If the temperature is too warm, check the temperature again after a couple of hours.</li> <li>– If the temperature is too cold, check the temperature again on the following day.</li> </ul> </li> </ol>
The base of the wine storage compartment is wet.	<p>The condensation channel or drainage hole are blocked.</p> <ul style="list-style-type: none"> <li>▶ Clean the condensation channel and the drainage hole. → <i>Page 18</i></li> </ul>
The appliance hums, bubbles, buzzes, gargles or clicks.	<p>Not a fault. A motor is running, e.g. refrigerating unit, fan. Refrigerant flows through the pipes. The motor, switches or solenoid valves are switching on or off. No action required.</p>
The appliance makes noises.	<p>Fittings wobble or stick.</p> <ul style="list-style-type: none"> <li>▶ Check the removable fittings and, if required, replace these.</li> </ul>



---

## 14 Storage and disposal

### 14.1 Taking the appliance out of operation

1. Switch off the appliance.  
→ *Page 13*
2. Disconnect the appliance from the power supply.  
Unplug the appliance from the mains or switch off the circuit breaker in the fuse box.
3. Clean the appliance. → *Page 17*
4. To guarantee the ventilation inside the appliance, leave the appliance open.

### 14.2 Disposing of old appliance

Valuable raw materials can be re-used by recycling.

#### **WARNING**

##### **Risk of harm to health!**

Children can lock themselves in the appliance, thereby putting their lives at risk.

- ▶ Leave shelves and containers inside the appliance to prevent children from climbing in.
- ▶ Keep children away from the redundant appliance.

#### **WARNING**

##### **Risk of fire!**

If the tubes are damaged, flammable refrigerant and harmful gases may escape and ignite.

- ▶ Do not damage the tubes of the refrigerant circuit or the insulation.
1. Unplug the appliance from the mains.
  2. Cut through the power cord.

3. Dispose of the appliance in an environmentally friendly manner.

Information about current disposal methods are available from your specialist dealer or local authority.



This appliance is labelled in accordance with European Directive 2012/19/EU concerning used electrical and electronic appliances (waste electrical and electronic equipment - WEEE). The guideline determines the framework for the return and recycling of used appliances as applicable throughout the EU.

---

---

## 15 Customer Service

Function-relevant genuine spare parts according to the corresponding Eco-design Order can be obtained from Customer Service for a period of at least 10 years from the date on which your appliance was placed on the market within the European Economic Area.

**Note:** Under the terms of the manufacturer's warranty applicable to the location, the use of Customer Service is free of charge. The minimum duration of the warranty (manufacturer's warranty for private consumers) in the European Economic Area is 2 years according to the terms of warranty applicable to the location. The terms of warranty do not affect other rights or claims held by yourself under local legislation.

Detailed information on the warranty period and terms of warranty in your country is available from our after-sales service, your retailer or on our website.

If you contact Customer Service, you will require the product number (E-Nr.) and the production number (FD) of your appliance.

The contact details for Customer Service can be found in the enclosed Customer Service directory or on our website.

### 15.1 Product number (E-Nr.) and production number (FD)

You can find the product number (E-Nr.) and the production number (FD) on the appliance's rating plate.

→ "Appliance", Fig. **1**/**4**, Page 11

Make a note of your appliance's details and the Customer Service telephone number to find them again quickly.

You can find more information about your model online at <https://eprel.ec.europa.eu/><sup>1</sup>. This web address is linked to the official EU EPREL product database. Please then follow the instructions on searching for the model. The model identifier is made up of the characters before the slash in the product number (E-Nr.) on the rating plate. Alternatively, you can also find the model identifier in the first line of the EU energy label.

---

## 16 Technical data

Refrigerant, cubic capacity and further technical specifications can be found on the rating plate.

→ "Appliance", Fig. **1**/**4**, Page 11

This product contains a light source from energy efficiency class F. The light source is available as a spare part and should only be replaced by trained specialist staff.

This product contains a second light source from energy efficiency class F. The light source is available as a spare part and should only be replaced by trained specialist staff.

---

<sup>1</sup> Only applies to countries in the European Economic Area

**BSH Hausgeräte GmbH**  
Carl-Wery-Straße 34  
81739 München, GERMANY  
[www.gaggenau.com](http://www.gaggenau.com)

Valid within Great Britain:  
Imported to Great Britain by  
BSH Home Appliances Ltd.  
Grand Union House  
Old Wolverton Road  
Wolverton, Milton Keynes  
MK12 5PT  
United Kingdom

**GAGGENAU**



9001951386 040730

en