



Controls at the bottom

Right-hinged

BM 484 710

Stainless steel-backed full glass door
Width 30" (76 cm)

Left-hinged

BM 485 710

Stainless steel-backed full glass door
Width 30" (76 cm)

Included accessories

- 1 combination wire rack
- 1 glass tray

400 series Combi-microwave oven BM 484/BM 485

- Handleless door/automatic door opening
- Single operation and combination of microwave, grill and oven
- Sequential operation of up to five modes including programming of combined operation and rest time
- TFT touch display
- Centralized controls for easy use and intuitive operation
- Electronic temperature control
- Net volume 1.3 cu.ft.

Cooking modes and programs

Microwave operation with 5 output levels: 1000, 600, 360, 180, 90 W. Oven operation with 4 heating modes:

- Convection at 100°F and from 210°F - 480°F.
- Broil + convection from 210°F - 480°F.
- Broil + circulated air 210°F - 480°F.
- Broil with 3 levels of intensity, maximum output of 2000 W.

Heating modes with microwave output levels 600, 360, 180 and 90 W, freely combinable.

15 automatic programs with weight indication, customizable:

- 4 defrosting programs.
- 4 cooking programs.
- 7 combination programs.

Option to save individual recipes.

Sabbath mode with constant temperature of 185°F.

Operation

Automatic door opening.
Rotary knobs and TFT touch display operation.
Clear text display in 25 languages.
Information key with use indicators.
Side-opening door opens up to 180° angle.

Features

Innowave.
Fast heating setting.
4 rack levels.
Actual temperature display.
2x 60 W halogen light (one on each side).

Safety

Thermally insulated door with triple glazing.
Triple door lock.
Child lock.
Safety shut-off.
Cooled housing with temperature protection.

Cleaning

Hygienic stainless steel interior with glass ceramic base.
Interior back wall with catalytic coating.

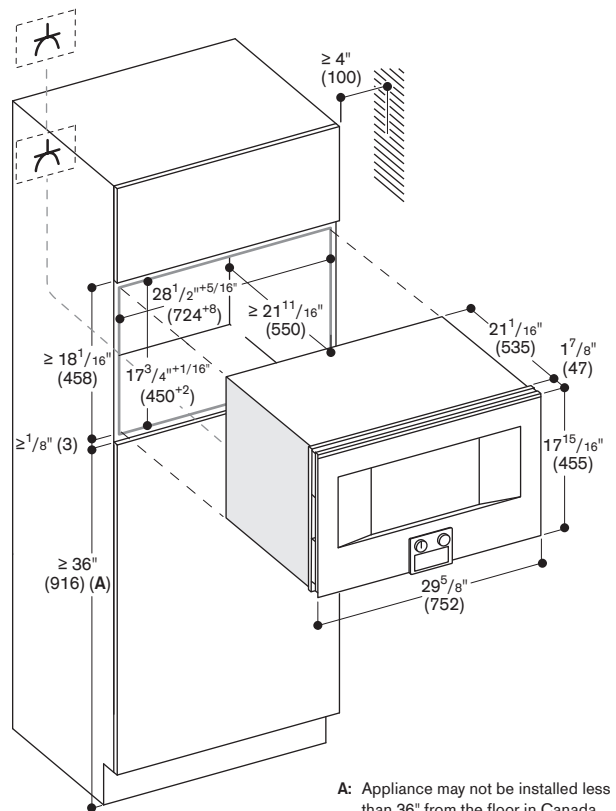
Planning notes

Door hinge not reversible.
Plan the cut-out without back wall.
The front of the appliance extends 1 7/8" from the cabinet front.
Consider the overhang when planning to open drawers next to the appliance.
When planning a corner solution, pay attention to the 110° door opening angle.

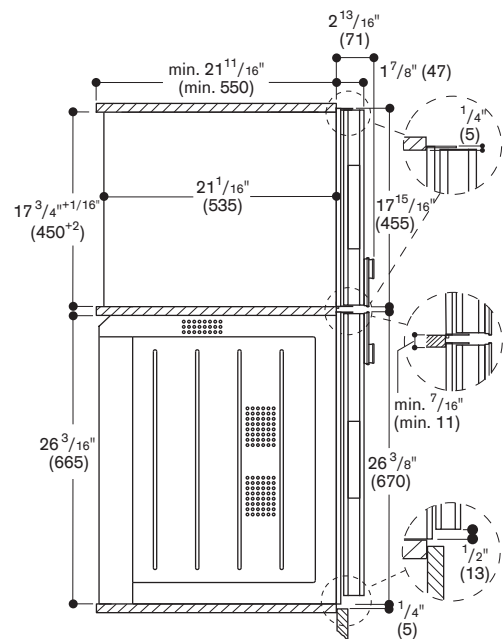
The electrical outlet needs to be planned outside of the cut-out.
The Combi-microwave oven may not be installed less than 36" (916 mm) from the floor in Canada.

Rating

Total rating 3,100 W.
Total Amps: 20 A (Double pole 20 amp breaker required).
120/208 - 240V, 60Hz (4 Wire)
Plan for a 71" connection cable without a plug (hardwire required).



Side view of BM 484/485 over BO oven



Numbers indicated inside parenthesis () = mm

www.gaggenau.com/us
Revised: August 2022

