



### Controls on top

#### Right-hinged

BM 450 710

Stainless steel-backed full glass door  
Width 24" (60 cm)

#### Left-hinged

BM 451 710

Stainless steel-backed full glass door  
Width 24" (60 cm)

### Included accessories

- 1 combination wire rack
- 1 glass tray

### 400 series Combi-microwave oven BM 450/BM 451

- Handleless door/automatic door opening
- Single operation and combination of microwave, grill and oven
- Sequential operation of up to five modes including programming of combined operation and rest time
- TFT touch display
- Centralized controls for easy use and intuitive operation
- Electronic temperature control
- Net volume 1.3 cu.ft.

### Cooking modes and programs

Microwave operation with 5 output levels: 1000, 600, 360, 180, 90 W.  
Oven operation with 4 heating modes:

- Convection at 100°F from 210°F - 480°F.
- Broil + convection from 210°F - 480°F.
- Broil + circulated air 210°F - 480°F.
- Broil with 3 levels of intensity, maximum output of 2000 W.

Heating modes with microwave output levels 600, 360, 180 and 90 W, freely combinable.  
15 automatic programs with weight indication, fully customizable:

- 4 defrosting programs.
- 4 cooking programs.
- 7 combination programs.

Option to save individual recipes.  
Sabbath mode with constant temperature of 185°F.

### Operation

Automatic door opening.  
Rotary knobs and TFT touch display operation.  
Clear text display in 25 languages.  
Information key with use indicators.  
Side-opening door opens up to 180° angle.

### Features

Innowave.  
Fast heating setting.  
4 rack levels.  
Actual temperature display.  
60 W halogen light on the side.

### Safety

Thermally insulated door with triple glazing.  
Triple door lock.  
Child lock.  
Safety shut-off.  
Cooled housing with temperature protection.

### Cleaning

Hygienic stainless steel interior with glass ceramic base.  
Interior back wall with catalytic coating.

### Planning notes

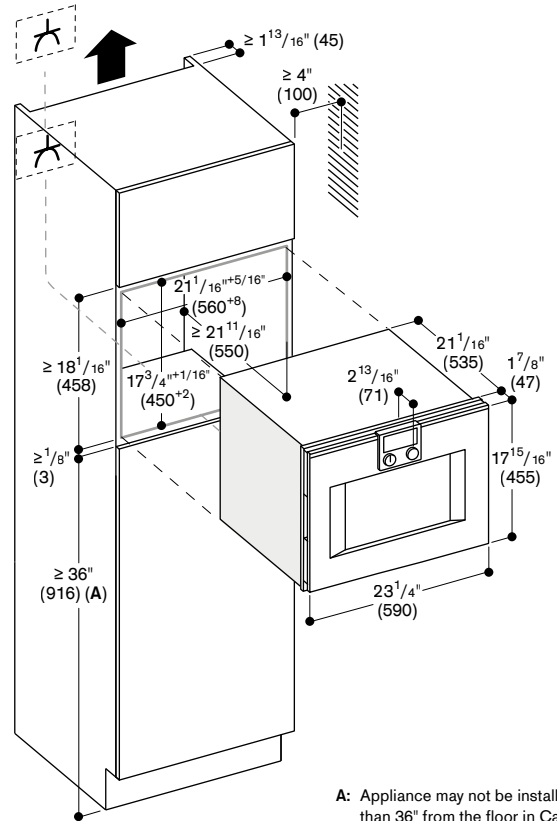
Door hinge not reversible.  
Plan the cut-out without back wall.  
The front of the appliance extends 1 7/8" from the cabinet front.  
Consider the overhang when planning to open drawers next to the appliance.  
When planning a corner solution, pay attention to the 110° door opening angle.  
The electrical outlet needs to be planned outside of the cut-out.

The Combi-microwave oven may not be installed less than 36" (916mm) from the floor in Canada.

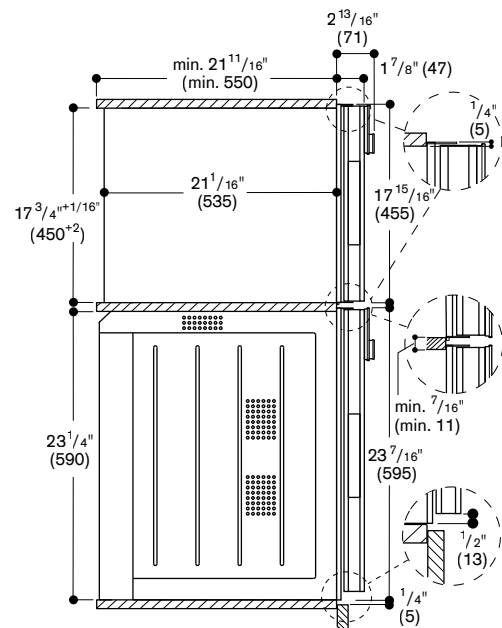
Please read the installation details regarding air openings on pages 12 - 13.

### Rating

Total rating 3.1 kW.  
Total Amps: 2x 20 A.  
208/240 V / 60 Hz.  
Plan for a 71" connection cable without a plug (hardwire required).



Side view of BM 450/451 over BO oven



Numbers indicated inside parenthesis ( ) = mm

www.gaggenau.com/us  
Revised: 31 March 2020