



400 series vacuuming drawer DV 463

DV 463 710

Stainless steel-backed glass front.
Width 24" (60 cm), Height 8 3/16" (21 cm).

Included accessories

- 50 vacuuming bags, small.
- 50 vacuuming bags.
- 1 raised vacuuming platform.
- 1 adapter for vacuuming outside the chamber.
- 1 vacuuming hose.
- 1 adapter for bottle plugs.
- 3 plugs for vacuuming of bottle.

Optional accessories

Part No. 00578813

Vacuuming bags, small.
7" x 11", 100 pcs.

Part No. 00578814

Vacuuming bags, large.
9 1/2" x 14", 100 pcs.

Highlights

- Integrable in 8 3/16" high cut-out.
- Hygienic stainless steel vacuuming chamber, applicable height up to 8 3/16".
- 3 vacuuming levels for vacuuming in the chamber, max. 99%.
- 3 vacuuming levels for vacuuming outside the chamber, max. 90%.
- Automatic connection recognition for vacuuming outside the chamber.
- Handleless drawer.
- Cushioned closing system.
- Net volume 0.25 cu.ft.

Application

Vacuuming for sous-vide cooking.
Vacuuming for fast marinating and flavoring.
Vacuuming for extended storage.
Vacuuming of vacuuming containers outside the chamber.
Resealing bottles outside the chamber.

Operation

Touch key operation.
Recessed grip at the front bottom of the drawer.

Features

Capacity load max. 22 lbs.
Maximum size of vacuuming bags W 9 1/2" x L 14".
3 heat-sealing levels for different strengths of bag material.
Sealing bar, non-stick coating, removable.
Safety glass cover, releases automatically after vacuuming.
Raised vacuuming platform, 1 3/4", removable.
Utility space in vacuuming chamber, W 8 1/4" x L 10 3/4".
Membrane for avoiding reflow of liquids during vacuuming outside the chamber.
Drying program for vacuuming pump.
Warning function.

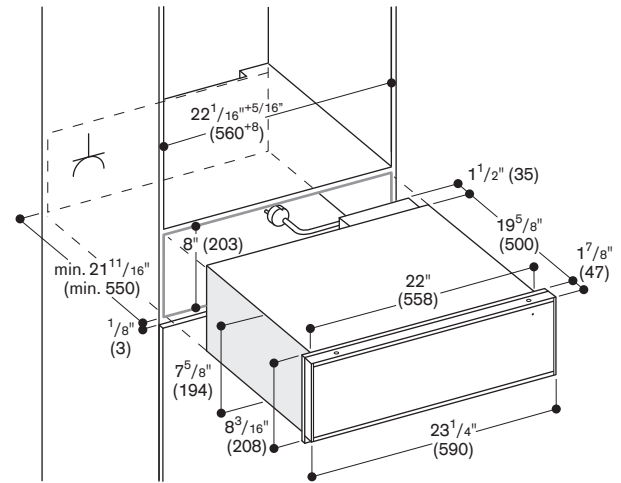
Planning notes

The front of the appliance extends 1 7/8" from the cabinet carcass.
When mounting a BS Combi-steam oven/BM Combi-microwave oven/CM espresso machine directly above drawer in 24" cutout, the partition shelf is only required if installing in a horizontal configuration next to a BO 480/481 oven to ensure proper alignment.
Otherwise the partition shelf is not required.
Built-in under countertop or in single cut-out.
When mounting the drawer below the 400 series Combi-steam oven, plan a recess of at least 1 3/8" between the back wall and the drawer to allow for the inlet and outlet hose to be installed appropriately.
The electrical outlet can be planned behind the appliance.

Please read the installation details regarding oven combination on page 12-13.

Rating

Total rating: 520 W.
Total Amps: 5 A.
120 V / 60 Hz
Connecting cable 71" with plug.



Side view of DV 463 below BS Combi-steam oven, BM Combi-microwave oven, CM espresso machine

