



## WS 482 710

Stainless steel-backed glass front  
Width 30" (76 cm), Height 8<sup>3</sup>/<sub>16</sub>" (21 cm)

### 400 series warming drawer WS 482

- Handleless warming drawer
- Bright interior light
- Cushioned closing system
- Hygienic stainless steel interior with glass bottom
- 4 temperature levels ranging from 100°F – 175°F
- Also for preparing and cooking meals
- Net volume 1.3 cu.ft.

#### Cooking modes

Defrosting of meals/proofing of yeast dough.  
Preheating of small beverages.  
Keeping meals warm/slow cooking.  
Warming of ovenware.

#### Operation

Rotary knob operation.  
Recessed grip at the front bottom of drawer.

#### Features

Volume capacity: Dinner set for 10 people including ø 11" plates and soup bowls, additional bowls and serving dishes depending on size.  
Max. load 55 lbs.

Usable interior dimensions:  
H 5<sup>3</sup>/<sub>16</sub>" × W 23<sup>3</sup>/<sub>8</sub>" × D 18<sup>7</sup>/<sub>8</sub>".

Integrated heating under glass for easy cleaning.

Convection fan for even heat distribution.

Status display, visible in the glass front.  
Glass bottom made of safety glass.

#### Planning notes

The front of the appliance extends 1<sup>7</sup>/<sub>8</sub>" from the cabinet front.

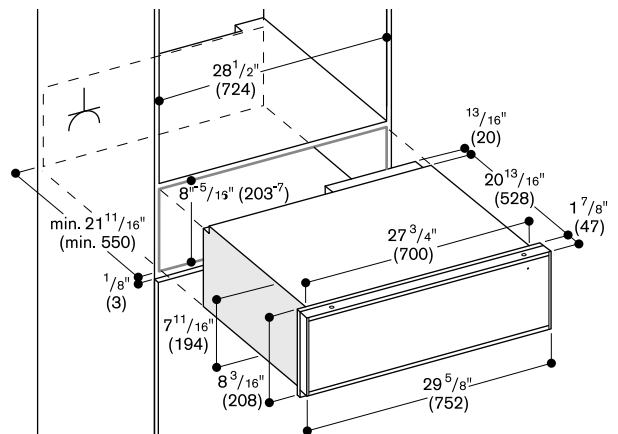
Always use an intermediate shelf—at least 3/4" thick—when mounting a 400 series single oven/Combi-steam oven/Combi-microwave oven above the WS 482 warming drawer.

When mounting the drawer below the 400 series Combi-steam oven, plan a recess of at least 1<sup>3</sup>/<sub>8</sub>" between the back wall and the warming drawer to allow for the inlet and outlet hose to be installed appropriately.

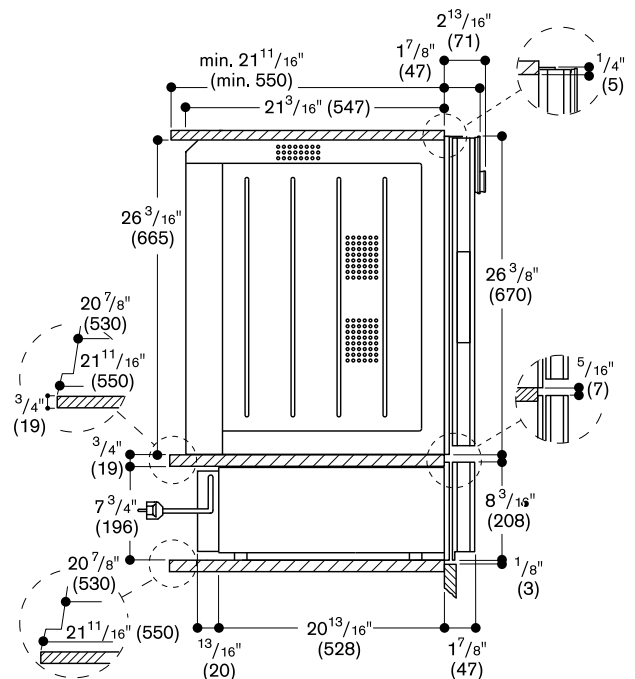
With a cut-out depth of 23<sup>1</sup>/<sub>2</sub>", the electric outlet can be planned behind the appliance.

#### Rating

Total rating: 810 W.  
Total Amps: 15 A.  
120 V / 60 Hz  
Connecting cable 59" with plug.



Side view of WS 482 below BO single oven



Side view of WS 482 below BS Combi-steam oven, BM Combi-microwave oven or CM espresso machine

