



VP 414 610

Stainless steel
Width 15" (38 cm)

Included accessory

2 spatulas

Installation accessories

In combination of several Vario cooktops or VL 414 downdraft, connecting strips must be used. Choose respective VA 420 strip from one of the below, depending on type of installation.

VA 420 010

Connection strip for combination with other Vario appliances of the 300 series for **surface** mounting **without appliance cover/filler strip.**

VA 420 011

Connection strip for combination with other Vario appliances of the 300 series for **surface** mounting **with appliance cover/filler strip.**

VA 420 000

Connection strip for combination with other Vario appliances of the 400 series for **flush** mounting **without appliance cover/filler strip.**

VA 420 001

Connection strip for combination with other Vario appliances of the 400 series for **flush** mounting **with appliance cover/filler strip.**

VA 440 010

Stainless steel cover with mounting strip.

VA 450 400

Stainless steel adjustment strip, width 15". Necessary accessory in a combination of 15" Varios with at least one appliance cover to compensate for the appliance depth.

Vario 400 series teppan yaki**VP 414**

- Hard chrome-plated surface for teppan cooking and use as griddle, grill, searer and warming plate. No pots or pans necessary
- Exact temperature control up to 480° F
- Optimum heat distribution
- Solid stainless steel control knobs
- Precision-crafted 1/8-inch stainless steel frame
- For surface-mount installation with a visible edge or for flush installation
- Can be perfectly combined with other Vario 400 series products

Cooking zones

Cooking area: W 12 3/16" x D 17 5/16".

Operation

Two control knobs with illuminated ring, cooking position and output marking.

Electronic temperature control up to 480° F plus warming plate function.

Features

Two zones, each 1,500 W, can be operated together as a complete surface or each half separately.

Simple to clean surface.

Keep warm setting.

Safety

Safety shut-off.

Planning notes

Depending on the type of installation—surface-/ or flush-mounted, with or without cover—the specific location of the control knob positions may vary.

When using the appliance cover VA 440 or adjustment strip VA 450 additional space for cut-out depth needs to be considered.

In a combination of Vario cooktops with at least one appliance cover, the adjustment strip VA 450 is required.

In a combination of several Vario 400 series cooktops a connection strip must be used.

Depending on the type of installation—surface-/ or flush-mounted, with or without cover—the respective VA 420 connecting strip must be used.

For flush installation the edge height in the cut-out needs to be at least 1/2" and for surface-mount 3/8". Ensure a continuous cut surface of 90°.

The weight capacity and stability, especially in case of thin countertops, must be supported using suitable substructures. Take the appliance weight and additional loads into account.

Flush installation is possible in countertops made of stone, synthetics or solid wood. Heat resistance and watertight sealing of the edges must be observed. For other materials, please consult with your countertop manufacturer.

The groove must be continuous and even, so that uniform placing of the appliance on the gasket is ensured.

Do not use discontinuous lining.

The joint width may vary due to size tolerances of the combinations and of the countertop cut-out.

If installing several Vario products in individual cut-outs allow for a minimum distance of 2" between the cooktops. Built-in control panel can be integrated in the bottom cabinet at drawer level. Front panel thickness 3/8" – 1".

The adjacent drawing "Installation of the control knobs" must be observed if the panel is more than 1" thick (there must be a recess at the rear for proper control module installation).

Above countertop minimum clearance of 21" from adjacent heat-sensitive cabinets or contact surfaces must be observed or thermal insulation must be installed.

Appliance can be snapped into the countertop from above.

Appliance weight: approx. 30.9 lbs.

Please read additional planning notes on pages 88 – 93.

Rating

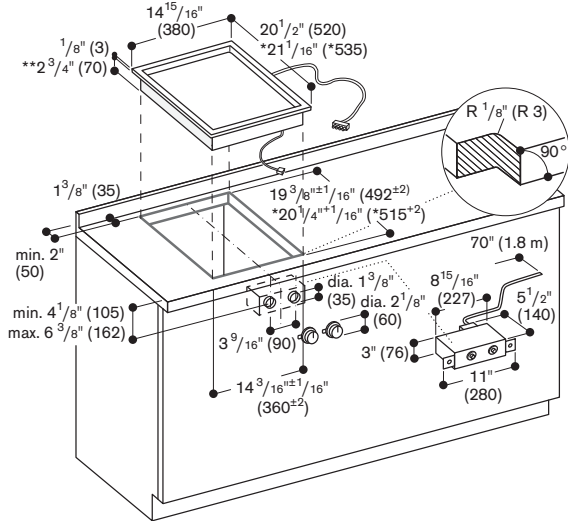
Total rating: 3 kW

Total Amps: 15 A.

208/220–240 V / 60 Hz

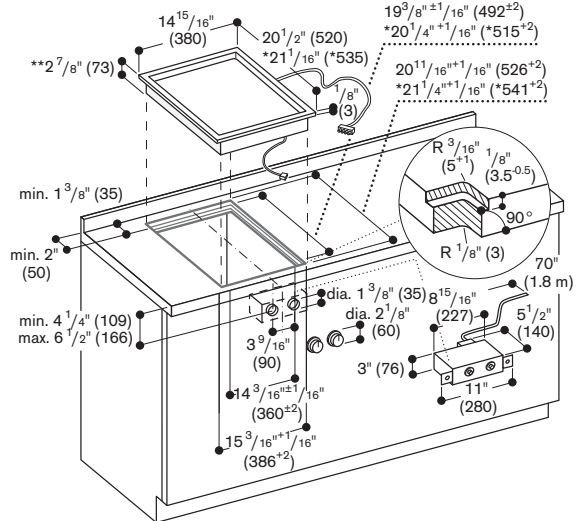
Plan for a 55" connecting cable without plug (hardwire required).

Surface-mount Installation



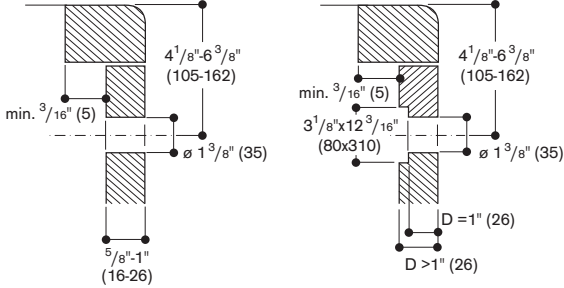
* With appliance cover or adjustment strip. See separate planning notes on page 93.
 ** 3 5/8" (85) in the area of the cable clip (right, center).

Flush-mount Installation

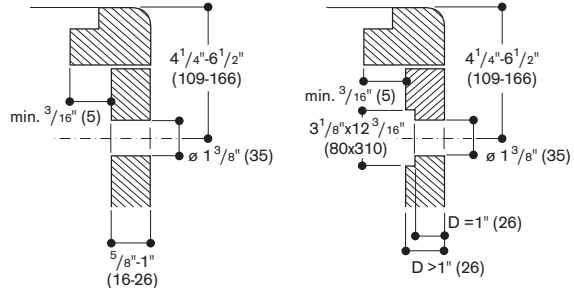


* With appliance cover or adjustment strip. See separate planning notes on page 93.
 ** 3 1/2" (88) in the area of the cable clip (right, center).

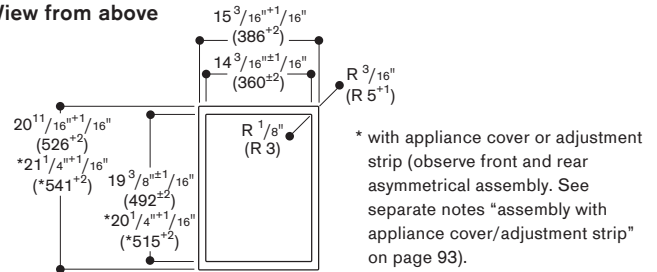
Installation of the control knob; surface-mount installation



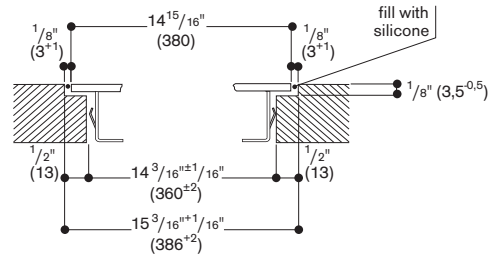
Installation of the control knob; flush-mount installation



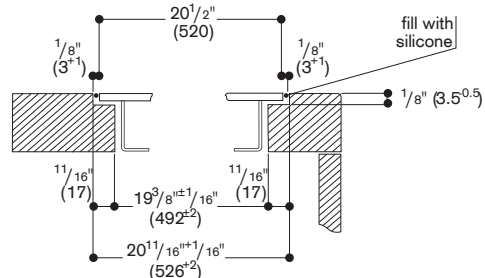
View from above



Longitudinal section



Cross-section



When installing with appliance cover or adjustment strip, pay attention to the deeper cut-out and the front and rear groove width.

Numbers indicated inside parenthesis () = mm