



**VE 230 614**

Stainless steel control panel  
Width 12" (28 cm)

**Installation accessories**

1 glass scraper

**Installation accessories**

**VV 200 014**

Connecting strip for combination with other Vario cooktops

**SH 230 001**

Hinge holder required for fitting the appliance cover

**Optional accessories:**

**VD 201 014**

Brushed stainless steel appliance cover

**Vario 200 series electric cooktop**

**VE 230**

- Special appliance for restaurant-grade capabilities in the home kitchen
- Integrated control panel for comfortable and secure operation
- Two cooking zones including combination. Total output up to 3,000 W

**Cooking zones**

2 cooking zones:

1 Super-Quick cooking zone  
ø 5 1/16" (1,200 W).

1 Super-Quick cooking zone  
ø 4 3/4" (700 W), converts to  
ø 7 1/16" (1,800 W).

**Features**

Two continuously variable energy controls.  
Cooking zone marking.

**Safety**

Individual residual heat display.  
Operation indicator light.

**Planning notes**

Appliance clicks into place when inserted in the countertop from above.

Please read additional planning notes on page 104.

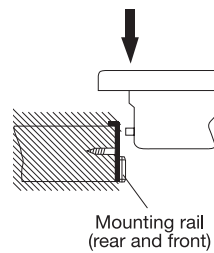
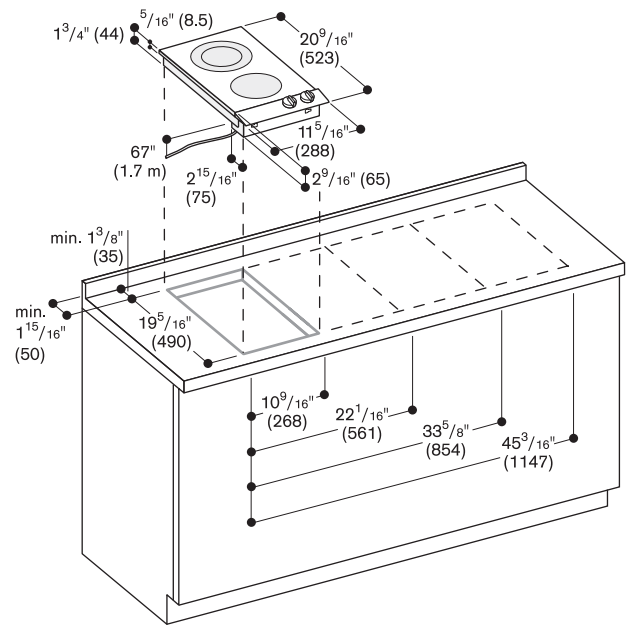
**Rating**

Total rating: 2.5 kW.

Total Amps: 12 A.

220-240V / 60 Hz

Plan for a 67" connecting cable without plug (hardwire required).



Numbers indicated inside parenthesis ( ) = mm