



VF 230 614

Stainless steel control panel
Width 12" (29 cm)

Included accessories

- 1 deep frying basket with tilt-in handle
- 1 stainless steel cover
- 1 frying basket suspension

Installation accessories

VV 200 014

Connecting strip for combination with other Vario cooktops

Optional accessories

Part# 743976

Additional deep frying basket

VD 201 014

Brushed stainless steel appliance cover

Vario 200 series electric deep fryer
VF 230

- Special appliance for restaurant-grade capabilities in the home kitchen
- Integrated control panel for comfortable and secure operation
- Optimum ratio of volume and performance. Even non-stop deep frying without flavor transfer
- Exact temperature control. Healthy deep frying with optimum results even if food contains starch

Cooking zones

Three-zone frying basin:

- Expansion zone
- Frying zone
- Cold oil zone

Oil Quantity: 3.7 quarts (3.5 liters)

Features

Electronic short-period time up to 90 min.

Stainless steel basin.

Hinged heating element (2,300 W).

Gentle fat melting setting.

Electronic temperature control with display function between 275 °F and 380 °F, in 10 °F steps.

Safety

Remaining time display.

Electronic overheating protection.

Child lock.

Safety shut-off.

Planning notes

Plan a door in the base cabinet for operation of the oil drain-valve.

Appliance clicks into place when inserted in the countertop from above.

VF 230 and VK 230 must not be installed directly adjacently to one another.

Please read additional planning notes on page 104.

Rating

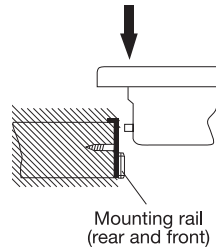
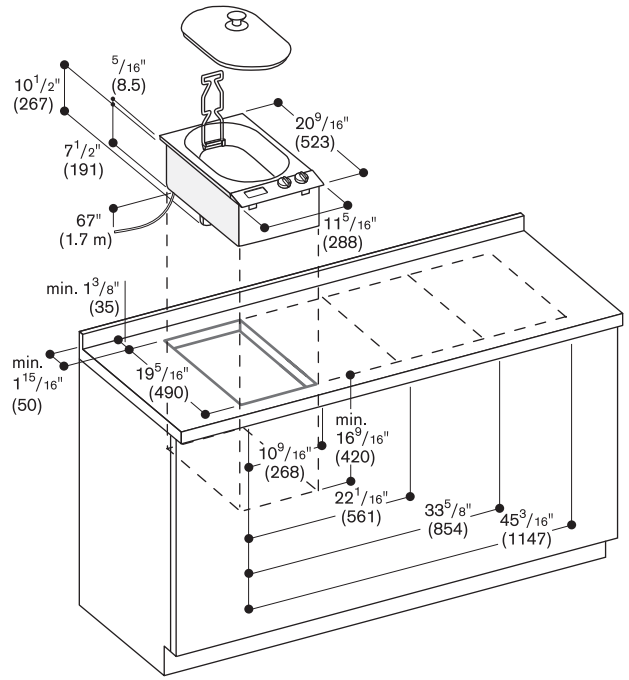
Total rating: 2.3 kW.

Total Amps: 14 A.

220–240 V / 60 Hz

Plan for a 67" connecting cable

without plug (hardware required).



Numbers indicated inside parenthesis () = mm