



#### AL 400 721

Stainless steel  
Width 47 1/4" (120 cm)  
Air extraction with 2x 400 series AR400742 inline/AR401742 remote blowers.  
Air recirculation operation with 2x AR410710 blowers.  
Comes without blower.

#### AL 400 791

Stainless steel  
Width 36" (90 cm)  
Air extraction with 400 series AR400742 inline/AR401742 remote blowers.  
Air recirculation operation with AR413722 blower.  
Comes without blower.

#### Required installation accessories

##### AD 754 045

Connection piece to 2x 6" round ducts  
Fitting AL 400, front or back side.

or

##### AD 854 043

Connecting pieces for 2 flat ducts  
DN 150, set of two  
Fitting AL 400, bottom side.

#### Installation accessories

##### AA 010 410

Air exhaust grill recirculation  
Stainless steel colored, 36", including installation fittings, height adjustable.

##### AA 409 401

Cabinet support 33 7/8" for 36" AL 400 downdraft.  
Can be combined with retractable downdraft AL 400.

Recommended as bearer for the countertop, instead of a cabinet frame.

##### AA 409 431

Cabinet support 47 7/16" for 46 5/8" AL 400 downdraft.

Can be combined with retractable downdraft AL 400.

Recommended as bearer for the countertop, instead of a cabinet frame.

##### AD 704 048

Transition box with two ø 6" round intakes to one ø 8" round outlet.  
Required for installation with AL 400 retractable downdraft to connect 2x round ducts to AR413722 blower (see example 1 and 4 on pages 158–159.)

##### AD 704 049

Air collector box DN 150 flat duct 2x DN 150 flat duct air intake.  
To connect 1x AL 400 to blower AR 413 bottom side. (see examples on pages 160–162).

#### Retractable downdraft ventilation AL 400

- Downdraft for combination with all Gaggenau cooktops, when not in use can be completely lowered into the countertop
- Dimmable, neutral white surface LED light for ideal illumination of the cooktop
- Precision-crafted 3mm stainless steel
- For surface mounting with a visible edge or for flush mounting
- Comes without blower, can be combined with Gaggenau extraction or recirculation blowers

#### Output

For information on maximum air output in combination with blowers refer to the remote blower table on pages 206–207.

Noise level depends on the built-in situation.

#### Features

3 electronically controlled output levels and 1 intensive mode.  
Interval ventilation, 6 min.  
Run-on function, 6 min.  
Grease filter saturation indicator.  
Cartridge-type filter, dishwasher-safe.  
Neutral white surface LED light (3600 K), continuously dimmable.  
Lamp output 4x 5 W.  
Illuminance 191 lx.  
Spare covers for closing air outlets.

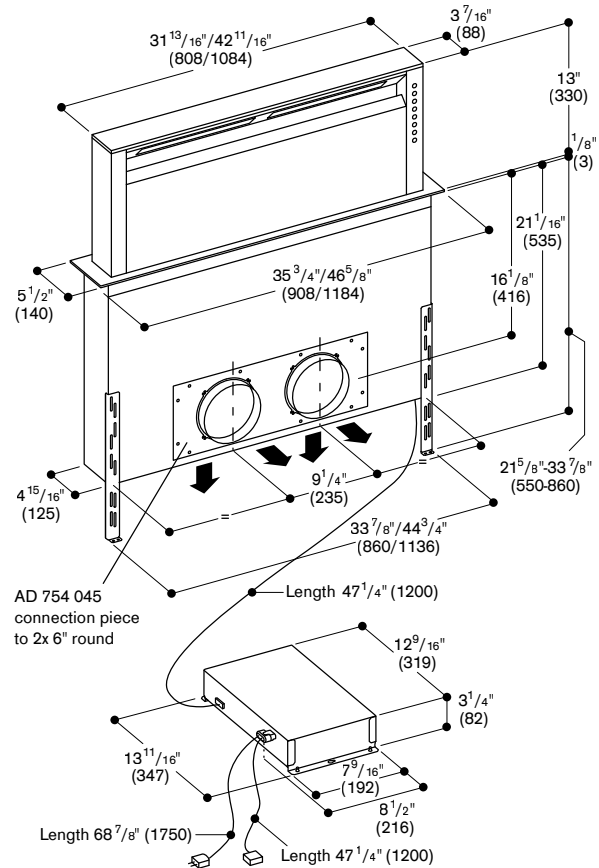
#### Planning notes

Refer to the table on page 202 for the matching blowers for air recirculation or air extraction mode.  
Secure the control unit to the side panel of the cabinet, not to the base of the cabinet or the kitchen floor.  
Connection to the respective appliances via network cable.  
AL 400 721/AL 400 791  
For operation with 4/3 Vario 200 series cooktops, 3/2 Vario 400 series cooktops or a cooktop configuration of up to 47 1/4" (120 cm)/(36 1/4" (92 cm) wide.  
Operation of Vario cooking appliances is only possible without appliance cover.  
Max. output of cooktops 61,400 BTU (18,000 W).  
In combination with the cooktop CI 292, installation in 24" (60 cm) deep countertop is possible.  
Installation is possible in countertops made of stone, synthetics or solid wood. Heat resistance and watertight sealing of the cut edges must be observed.  
Concerning other materials please consult the countertop manufacturer.  
The remaining surface of the countertop 2" min. (50 mm) between the cut-outs must be reinforced with a support. It is recommended to use cabinet support AA 409 401/431.  
Ovens that do not exceed the maximum allowed cabinet temperature can be combined with the retractable downdraft if built-in situation permits.  
To avoid smoke when frying/grilling refer to the manuals of VR/VP.

Please read additional planning notes on pages 158 – 162.

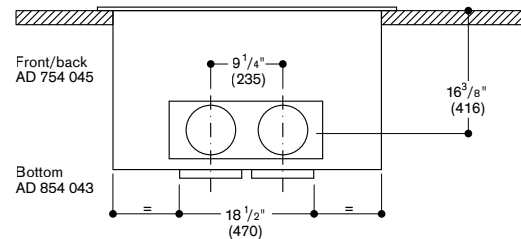
#### Rating

Total Amps: 10 A.  
120 V / 60 Hz  
Connecting cable 60" with plug.  
Network cable 47" (1.2 m).

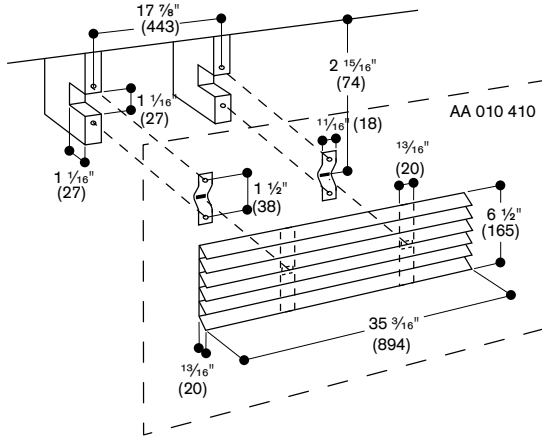


AD 754 045 connection piece to 2x 6" round duct connection 2 x ø 6" front/back Round duct connection piece with AD 754 045

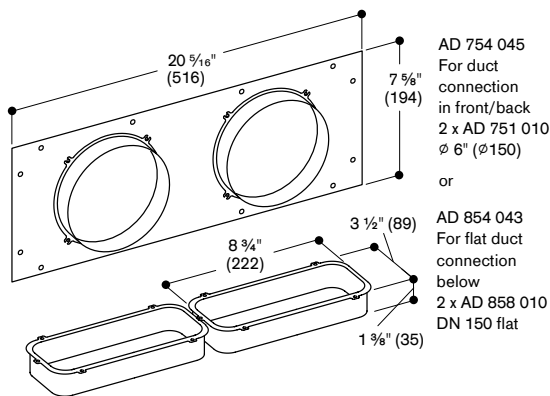
#### AL 400 connection positions ø 6" or flat duct DN 150



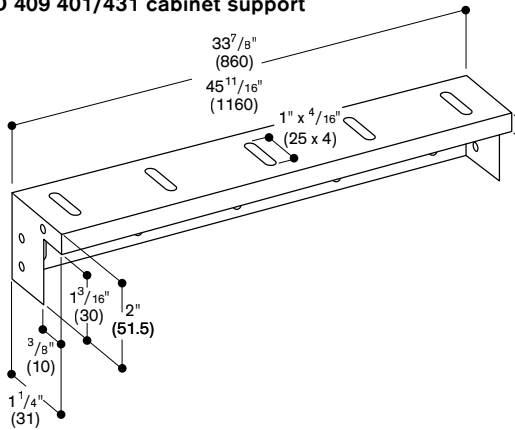
**AA 010 410 air exhaust grill**



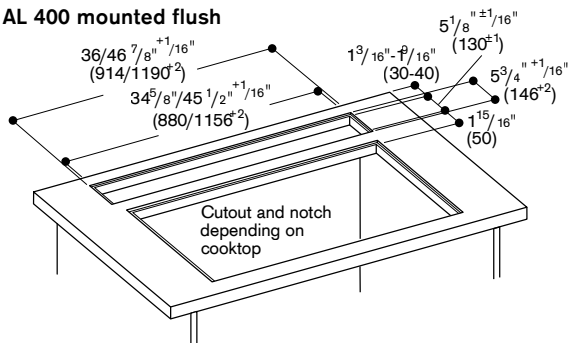
**AD 754 045 and AD 854 043**



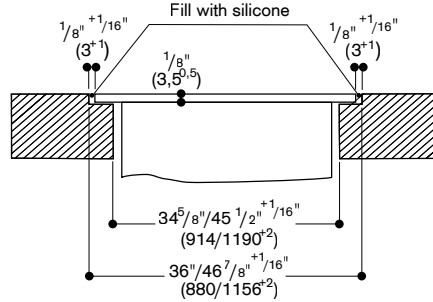
**AD 409 401/431 cabinet support**



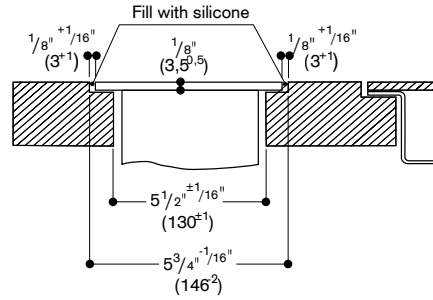
**AL 400 mounted flush**



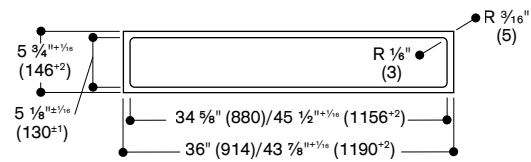
**Longitudinal section**



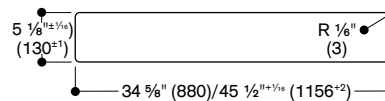
**Cross-section**



**AL 400 cut-out flush mounted**



**AL 400 cut-out for surface mounting**



**Cross-section of lower cabinet for AL 400 (without back wall) with AR 413; connection at the bottom**

